

Robert Bosch Power Tools GmbH
70538 Stuttgart
GERMANY

www.bosch-pt.com

1 609 92A 4GU (2018.08) AS / 57



1 609 92A 4GU

GBM 1600 RE Professional

 **BOSCH**

en Original instructions

fr Notice originale

pt Manual original

zh 正本使用说明书

zh 原始使用說明書

ko 사용 설명서 원본

th หนังสือคู่มือการใช้งานฉบับ
ต้นแบบ

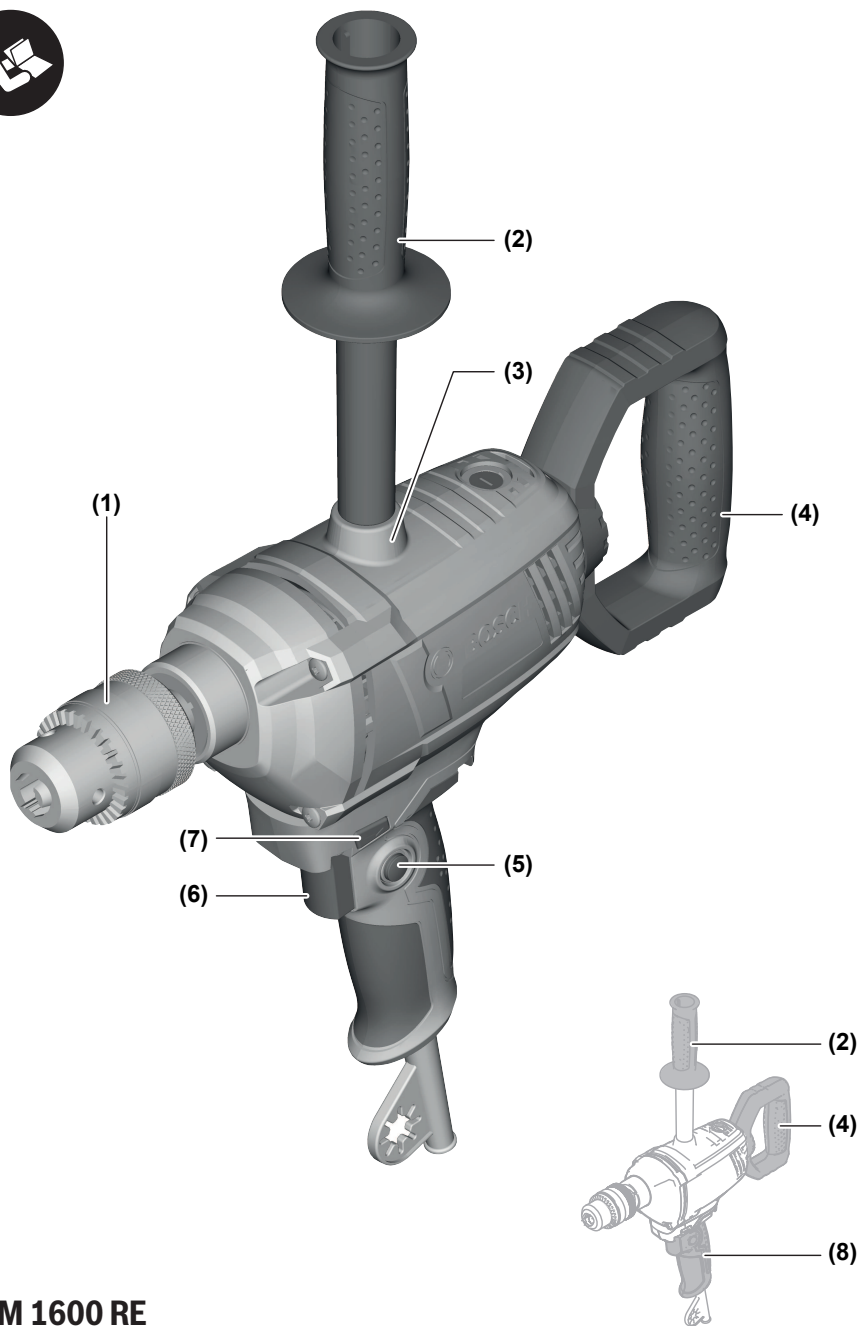
id Petunjuk-Petunjuk untuk Penggun-
aan Orisinal

vi Bản gốc hướng dẫn sử dụng

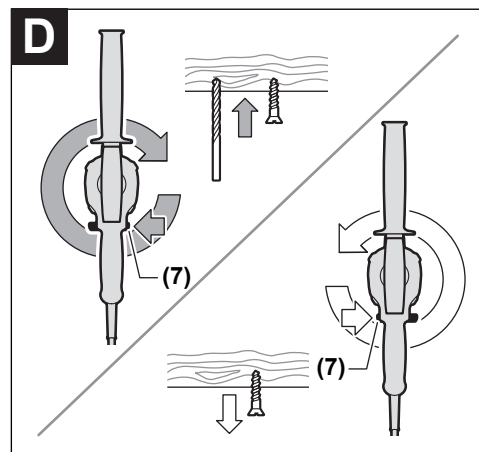
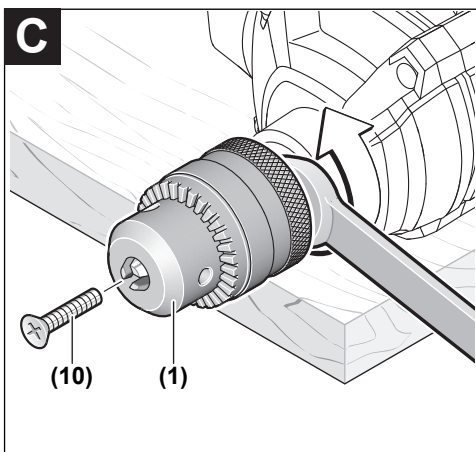
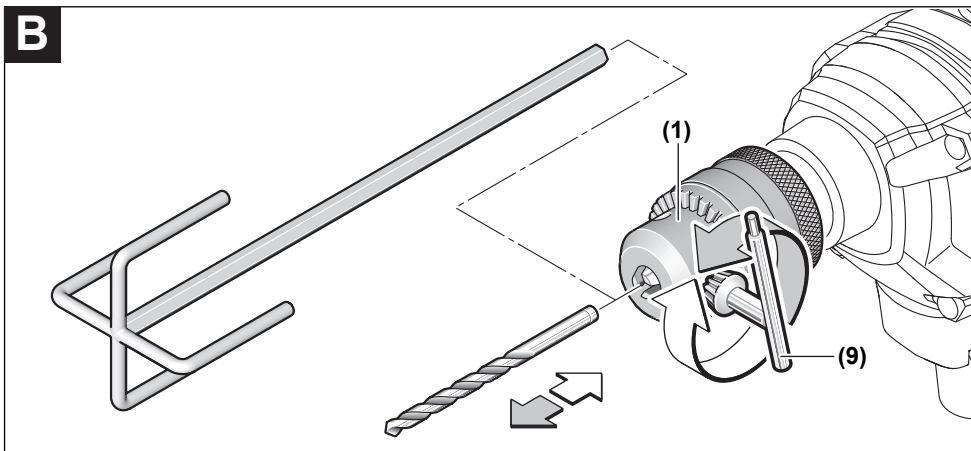
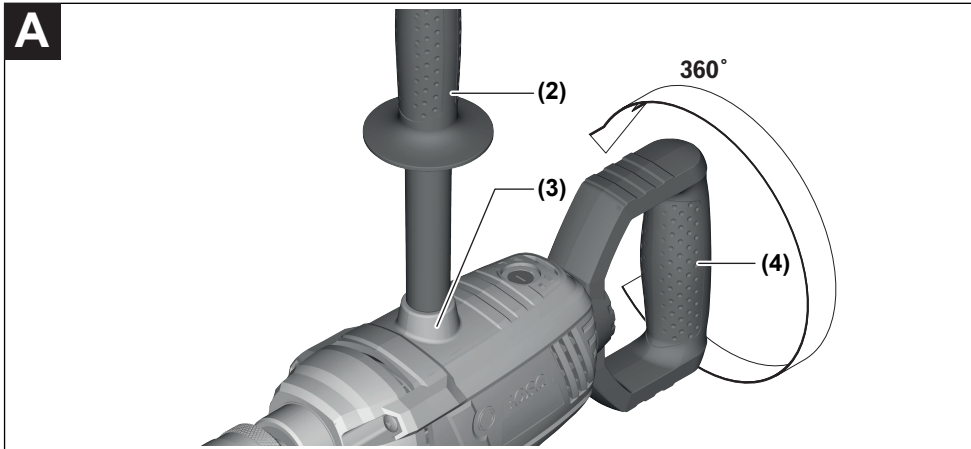
ar دليل التشغيل الأصلي

fa دفترچه راهنمای اصلی

English	page	5
Français	Page	11
Português	Página	16
中文	页	21
繁體中文	頁	24
한국어	페이지	28
ไทย	หน้า	32
Bahasa Indonesia	Halaman	36
Tiếng Việt	Trang	40
عربي	الصفحة	46
آفارسی	صفحه	52



GBM 1600 RE



English

Safety instructions

General Power Tool Safety Warnings

⚠ WARNING Read all safety warnings, instructions, illustrations and specifications provided with this power tool. Failure to follow all instructions listed below may result in electric shock, fire and/or serious injury.

Save all warnings and instructions for future reference.

The term "power tool" in the warnings refers to your mains-operated (corded) power tool or battery-operated (cordless) power tool.

Work area safety

- ▶ **Keep work area clean and well lit.** Cluttered or dark areas invite accidents.
- ▶ **Do not operate power tools in explosive atmospheres, such as in the presence of flammable liquids, gases or dust.** Power tools create sparks which may ignite the dust or fumes.
- ▶ **Keep children and bystanders away while operating a power tool.** Distractions can cause you to lose control.

Electrical safety

- ▶ **Power tool plugs must match the outlet. Never modify the plug in any way. Do not use any adapter plugs with earthed (grounded) power tools.** Unmodified plugs and matching outlets will reduce risk of electric shock.
- ▶ **Avoid body contact with earthed or grounded surfaces, such as pipes, radiators, ranges and refrigerators.** There is an increased risk of electric shock if your body is earthed or grounded.
- ▶ **Do not expose power tools to rain or wet conditions.** Water entering a power tool will increase the risk of electric shock.
- ▶ **Do not abuse the cord. Never use the cord for carrying, pulling or unplugging the power tool. Keep cord away from heat, oil, sharp edges or moving parts.** Damaged or entangled cords increase the risk of electric shock.
- ▶ **When operating a power tool outdoors, use an extension cord suitable for outdoor use.** Use of a cord suitable for outdoor use reduces the risk of electric shock.
- ▶ **If operating a power tool in a damp location is unavoidable, use a residual current device (RCD) protected supply.** Use of an RCD reduces the risk of electric shock.

Personal safety

- ▶ **Stay alert, watch what you are doing and use common sense when operating a power tool. Do not use a**

power tool while you are tired or under the influence of drugs, alcohol or medication. A moment of inattention while operating power tools may result in serious personal injury.

- ▶ **Use personal protective equipment. Always wear eye protection.** Protective equipment such as a dust mask, non-skid safety shoes, hard hat or hearing protection used for appropriate conditions will reduce personal injuries.
- ▶ **Prevent unintentional starting. Ensure the switch is in the off-position before connecting to power source and/or battery pack, picking up or carrying the tool.** Carrying power tools with your finger on the switch or energising power tools that have the switch on invites accidents.
- ▶ **Remove any adjusting key or wrench before turning the power tool on.** A wrench or a key left attached to a rotating part of the power tool may result in personal injury.
- ▶ **Do not overreach. Keep proper footing and balance at all times.** This enables better control of the power tool in unexpected situations.
- ▶ **Dress properly. Do not wear loose clothing or jewellery. Keep your hair and clothing away from moving parts.** Loose clothes, jewellery or long hair can be caught in moving parts.
- ▶ **If devices are provided for the connection of dust extraction and collection facilities, ensure these are connected and properly used.** Use of dust collection can reduce dust-related hazards.
- ▶ **Do not let familiarity gained from frequent use of tools allow you to become complacent and ignore tool safety principles.** A careless action can cause severe injury within a fraction of a second.

Power tool use and care

- ▶ **Do not force the power tool. Use the correct power tool for your application.** The correct power tool will do the job better and safer at the rate for which it was designed.
- ▶ **Do not use the power tool if the switch does not turn it on and off.** Any power tool that cannot be controlled with the switch is dangerous and must be repaired.
- ▶ **Disconnect the plug from the power source and/or remove the battery pack, if detachable, from the power tool before making any adjustments, changing accessories, or storing power tools.** Such preventive safety measures reduce the risk of starting the power tool accidentally.
- ▶ **Store idle power tools out of the reach of children and do not allow persons unfamiliar with the power tool or these instructions to operate the power tool.** Power tools are dangerous in the hands of untrained users.
- ▶ **Maintain power tools and accessories. Check for misalignment or binding of moving parts, breakage of parts and any other condition that may affect the power tool's operation. If damaged, have the power**

tool repaired before use. Many accidents are caused by poorly maintained power tools.

- ▶ **Keep cutting tools sharp and clean.** Properly maintained cutting tools with sharp cutting edges are less likely to bind and are easier to control.
- ▶ **Use the power tool, accessories and tool bits etc. in accordance with these instructions, taking into account the working conditions and the work to be performed.** Use of the power tool for operations different from those intended could result in a hazardous situation.
- ▶ **Keep handles and grasping surfaces dry, clean and free from oil and grease.** Slippery handles and grasping surfaces do not allow for safe handling and control of the tool in unexpected situations.

Service

- ▶ **Have your power tool serviced by a qualified repair person using only identical replacement parts.** This will ensure that the safety of the power tool is maintained.

Safety Warnings for Drills

Safety instructions for all operations

- ▶ **Use auxiliary handle(s), if supplied with the tool.** Loss of control can cause personal injury.
- ▶ **Hold the power tool by insulated gripping surfaces, when performing an operation where the cutting accessory may contact hidden wiring or its own cord.** Cutting accessory contacting a "live" wire may make exposed metal parts of the power tool "live" and could give the operator an electric shock.

Safety instructions when using long drill bits

- ▶ **Never operate at higher speed than the maximum speed rating of the drill bit.** At higher speeds, the bit is likely to bend if allowed to rotate freely without contacting the workpiece, resulting in personal injury.
- ▶ **Always start drilling at low speed and with the bit tip in contact with the workpiece.** At higher speeds, the bit is likely to bend if allowed to rotate freely without contacting the workpiece, resulting in personal injury.
- ▶ **Apply pressure only in direct line with the bit and do not apply excessive pressure.** Bits can bend causing breakage or loss of control, resulting in personal injury.

Additional safety warnings

- ▶ **Secure the workpiece.** A workpiece clamped with clamping devices or in a vice is held more secure than by hand.
- ▶ **Switch the power tool off immediately if the application tool becomes blocked. Be prepared for high torque reactions which cause kickback.** The application tool becomes blocked when it becomes jammed in the workpiece or when the power tool becomes overloaded.
- ▶ **Use suitable detectors to determine if utility lines are hidden in the work area or call the local utility company for assistance.** Contact with electric lines can lead to fire and electric shock. Damaging a gas line can lead to

explosion. Penetrating a water line causes property damage or may cause an electric shock.

- ▶ **Always wait until the power tool has come to a complete stop before placing it down.** The application tool can jam and cause you to lose control of the power tool.

Products sold in GB only:

Your product is fitted with an BS 1363/A approved electric plug with internal fuse (ASTA approved to BS 1362).

If the plug is not suitable for your socket outlets, it should be cut off and an appropriate plug fitted in its place by an authorised customer service agent. The replacement plug should have the same fuse rating as the original plug.

The severed plug must be disposed of to avoid a possible shock hazard and should never be inserted into a mains socket elsewhere.

Product Description and Specifications



Read all the safety and general instructions.

Failure to observe the safety and general instructions may result in electric shock, fire and/or serious injury.

Please observe the illustrations at the beginning of this operating manual.

Intended Use

The power tool is suitable for drilling in wood, metal, ceramic and plastic.

The power tool is suitable for stirring construction materials in powder form, such as mortar, plaster, adhesive and paints and varnishes which do not contain solvents, as well as similar substances.

Product features

The numbering of the product features refers to the diagram of the power tool on the graphics page.

- (1) Keyed chuck ^{A)}
- (2) Auxiliary handle (insulated gripping surface)
- (3) Thread for auxiliary handle
- (4) Auxiliary handle (insulated gripping surface)
- (5) Lock-on button for on/off switch
- (6) On/off switch
- (7) Rotational direction switch
- (8) Handle (insulated gripping surface)
- (9) Chuck key ^{A)}
- (10) Securing screw for keyed chuck

A) **Accessories shown or described are not included with the product as standard. You can find the complete selection of accessories in our accessories range.**

Technical data

Drill		GBM 1600 RE
Article number		3 601 ABO 0..
Rated power input	W	850
No-load speed	min ⁻¹	630
Rated torque	Nm	11
Spindle collar diameter	mm	43
Max. drilling diameter		
– Steel	mm	16
– Wood	mm	40
– Aluminium	mm	16
Chucking capacity	mm	3–16
Right/left rotation		●
Maximum stirrer paddle diameter	mm	160
Weight according to EPTA-Procedure 01:2014	kg	3.0
Protection class		□/II

The specifications apply to a rated voltage [U] of 230 V. These specifications may vary at different voltages and in country-specific models.

Fitting

- ▶ **Pull the plug out of the socket before carrying out any work on the power tool.**

Auxiliary handle (see figure A)

- ▶ **Only use your power tool with the auxiliary handles (2) and (4).**

Screw the auxiliary handle (2) into the thread (3) on the motor housing.

The auxiliary handle (4) can be continuously rotated through 360°.

Changing the tool (see figure B)

- ▶ **Wear protective gloves when changing tools.** The drill chuck may heat up significantly when it is used for long periods.

Keyed chuck with automatic lock

Open the keyed chuck (1) by turning it until the tool can be inserted.

Insert the tool. Insert the drill chuck key (9) into the corresponding holes of the keyed chuck (1) and clamp the tool evenly.

Changing the drill chuck (see figure C)

- ▶ **Pull the plug out of the socket before carrying out any work on the power tool.**

Removing the securing screw

A securing screw (10) protects the keyed chuck (1) from being accidentally separated from the drill spindle.

Open the keyed chuck (1) fully and unscrew the securing screw (10) clockwise. **Note that the securing screw has a left-hand thread.**

When the securing screw (10) is securely seated, place a screwdriver on the screw head and undo the securing screw by hitting the handle of the screwdriver.

Removing the drill chuck

To remove the drill chuck (1), place an open-ended spanner (SW 17) onto the nut on the drive spindle.

Hold the keyed chuck firmly in one hand and use your other hand to turn the open-ended spanner anticlockwise until the drill chuck comes away from the drill spindle cone.

Installing the drill chuck

- ▶ **Keep the cone of the drill spindle and the hole of the drill chuck free of grease and dirt.**

To install the keyed chuck (1), turn the nut on the drive spindle clockwise as far as it will go.

Push the keyed chuck onto the drive spindle until it is securely seated, but do not use force when doing so.

Use a rubber hammer to lightly hit the front side of the keyed chuck (1) in order to ensure that the keyed chuck is securely seated. When doing so, ensure that the clamping jaws of the keyed chuck do not protrude to avoid damaging the chuck.

Installing the securing screw

Screw the securing screw (10) anticlockwise into the open keyed chuck. Always use a new securing screw because a securing adhesive substance is applied on its thread and is rendered ineffective after repeated use.

Dust/Chip Extraction

Dust from materials such as lead-containing coatings, some wood types, minerals and metal can be harmful to one's health. Touching or breathing in the dust can cause allergic reactions and/or lead to respiratory infections of the user or bystanders.

Certain dust, such as oak or beech dust, is considered carcinogenic, especially in connection with wood-treatment additives (chromate, wood preservative). Materials containing asbestos may only be worked by specialists.

- Provide for good ventilation of the working place.
- It is recommended to wear a P2 filter-class respirator.

Observe the relevant regulations in your country for the materials to be worked.

- ▶ **Avoid dust accumulation at the workplace.** Dust can easily ignite.

Operation

Starting Operation

- ▶ **Pay attention to the mains voltage. The voltage of the power source must match the voltage specified on the rating plate of the power tool. Power tools marked with 230 V can also be operated with 220 V.**

- ▶ **Products that are only sold in AUS and NZ:** Use a residual current device (RCD) with a nominal residual current of 30 mA or less.

Setting the rotational direction (see figure D)

The rotational direction switch (7) is used to change the rotational direction of the power tool. However, this is not possible while the on/off switch (6) is being pressed.

Right rotation: For drilling or stirring, push the rotational direction switch (7) all the way to the left.

Left rotation: For loosening or stirring, push the rotational direction switch (7) all the way to the right.

Switching on/off

To **start** the power tool, press and hold the on/off switch (6).

Press the lock-on button (5) to **lock** the on/off switch (6) in this position.

To **switch off** the power tool, release the on/off switch (6); or, if the switch is locked with the lock-on button (5), briefly press the on/off switch (6) and then release it.

Adjusting the Speed

You can adjust the speed of the power tool when it is on by pressing in the on/off switch (6) to varying extents.

A light pressure on the on/off switch (6) results in a low rotational speed. Increased pressure on the switch causes an increase in speed.

Work instructions for drilling

Use a drill emulsion or cutting oil for cooling and lubrication in order to prevent the drill bit from overheating or jamming. For drilling diameters > 10 mm, pre-drill with a small drilling diameter. This allows you to reduce the contact pressure and puts less strain on the power tool.

When drilling into metal, only use sharpened HSS drills (HSS = high-speed steel) which are in perfect condition. The Bosch accessory range guarantees appropriate quality.

The machine vice, which is available as an accessory, enables the workpiece to be securely clamped. This prevents the workpiece from turning and any accidents this could cause.

Work instructions for stirring

- ▶ **Do not use the power tool in a stand.**
- ▶ **Avoid splashing the material.** Otherwise you could slip and lose control of the power tool.
- ▶ **Avoid continuously operating the power tool at reduced speed.** Otherwise the motor of the power tool could overheat.

To release the lock-on button (5), briefly press the on/off switch (6) and then let it go. This will prevent the power tool from restarting unintentionally (risk of injury).

The stirrer paddle selected depends on the material that is to be stirred.

For materials with low viscosity, e.g. emulsion paint, varnishes, adhesive, grouting compound or cement slurry, use a

stirrer paddle with a left-hand spiral. The material is moved from the top downwards in a stirrer paddle with a left-hand spiral. The stirrer paddle is pushed upwards. Materials with low viscosity are mixed in a way which minimises splattering. For materials with high viscosity, e.g. ready-mixed plaster, concrete, cement, screed, filler or epoxy resin, use a stirrer paddle with right-hand spiral. The material is moved from the bottom upwards in a stirrer paddle with a right-hand spiral. The stirrer paddle works its way into the mixture. Materials with high viscosity are mixed thoroughly.

Move the power tool up and down when working. Clean the stirrer paddle after use.

- ▶ **Store the power tool in a safe place.** Ensure that it cannot fall over. The power tool may become damaged if this happens.

Maintenance and Servicing

Maintenance and Cleaning

- ▶ **Pull the plug out of the socket before carrying out any work on the power tool.**
- ▶ **To ensure safe and efficient operation, always keep the power tool and the ventilation slots clean.**

In order to avoid safety hazards, if the power supply cord needs to be replaced, this must be done by Bosch or by a customer service centre that is authorised to repair Bosch power tools.

After-sales Service and Advice on Using Products

Our after-sales service can answer questions concerning product maintenance and repair, as well as spare parts. You can find exploded drawings and information on spare parts at: www.bosch-pt.com

The Bosch product use advice team will be happy to help you with any questions about our products and their accessories.

www.powertool-portal.de, the internet portal for tradespeople and DIY enthusiasts.

In all correspondence and spare parts orders, please always include the 10-digit article number given on the type plate of the product.

Cambodia

Robert Bosch (Cambodia) Co., Ltd
Unit 8BC, GT Tower, 08th Floor, Street 169,
Czechoslovakia Blvd, Sangkat Veal Vong
Khan 7 Makara, Phnom Penh
VAT TIN: 100 169 511
Tel.: +855 23 900 685
Tel.: +855 23 900 660
www.bosch.com.kh

People's Republic of China

China Mainland

Bosch Power Tool (China) Co. Ltd.
Bosch Service Center
567, Bin Kang Road

Bin Kang District
Hangzhou, Zhejiang Province
China 310052
Tel.: (0571) 8887 5566 / 5588
Fax: (0571) 8887 6688 x 5566# / 5588#
E-mail: bsc.hz@cn.bosch.com
www.bosch-pt.com.cn

HK and Macau Special Administrative Regions

Robert Bosch Co. Ltd.
21st Floor, 625 King's Road
North Point, Hong Kong
Customer Service Hotline: +852 2101 0235
Fax: +852 2590 9762
E-mail: info@hk.bosch.com
www.bosch-pt.com.hk

India

Bosch Service Center
69, Habibullah Road, (next to PSBB School), T. Nagar
Chennai-600077
Phone: (044) 64561816
Bosch Service Center Rishyamook
85A, Panchkuin Road
New Delhi-110001
Phone: (011) 43166190
Bosch Service Center 79,
Crystal Bldg., Dr. Annie Besant Road, Worli
Mumbai-400018
Phone: (022) 39569936 / (022) 39569959 /
(022) 39569967 / (022) 24952071

Indonesia

PT Robert Bosch
Palma Tower 10th Floor
Jalan RA Kartini II-S Kaveling 6
Pondok Pinang, Kebayoran Lama
Jakarta Selatan 12310
Tel.: (21) 3005-5800
www.bosch-pt.co.id

Malaysia

Robert Bosch Sdn. Bhd.(220975-V) PT/SMY
No. 8A, Jalan 13/6
46200 Petaling Jaya
Selangor
Tel.: (03) 79663194
Toll-Free: 1800 880188
Fax: (03) 79583838
E-mail: kiathoe.chong@my.bosch.com
www.bosch-pt.com.my

Pakistan

Robert Bosch Middle East FZE – Pakistan Liaison Office
2nd Floor Plaza # 10, CCA Block, DHA Phase 5
Lahore, 54810
Phone: +92(303)4444311
E-mail: Faisal.Khan@bosch.com

Philippines

Robert Bosch, Inc.
28th Floor Fort Legend Towers,
3rd Avenue corner 31st Street,

Fort Bonifacio, Global City,
1634 Taguig City
Tel.: (632) 8703871
Fax: (632) 8703870
www.bosch-pt.com.ph

Singapore

Powerwell Service Centre Ptd Ltd
Bosch Authorised Service Centre (Power Tools)
4012 Ang Mo Kio Ave 10, #01-02 TECHplace
Singapore 569628
Tel.: 6452 1770
Fax: 6452 1760
E-mail: ask@powerwellsc.com
www.powerwellsc.com
www.bosch-pt.com.sg

Thailand

Robert Bosch Ltd.
Liberty Square Building
No. 287, 11 Floor
Silom Road, Bangrak
Bangkok 10500
Tel.: 02 6393111
Fax: 02 2384783
Robert Bosch Ltd., P. O. Box 2054
Bangkok 10501
www.bosch.co.th
Bosch Service – Training Centre
La Salle Tower Ground Floor Unit No.2
10/11 La Salle Moo 16
Srinakharin Road
Bangkaew, Bang Plee
Samutprakarn 10540
Tel.: 02 7587555
Fax: 02 7587525

Vietnam

Branch of Bosch Vietnam Co., Ltd in HCMC
14th floor, Deutsches Haus, 33 Le Duan
Ben Nghe Ward, District 1, Ho Chi Minh City
Tel.: (028) 6258 3690
Fax: (028) 6258 3692 - 6258 3694
Hotline: (028) 6250 8555
E-mail: tuvankhachhang-pt@vn.bosch.com
www.bosch-pt.com.vn

Armenia, Azerbaijan, Georgia, Kyrgyzstan, Mongolia, Tajikistan, Turkmenistan, Uzbekistan

TOO "Robert Bosch" Power Tools, After Sales Service
Rayimbek Ave., 169/1
050050, Almaty, Kazakhstan
Service e-mail: service.pt.ka@bosch.com
Official website: www.bosch.com, www.bosch-pt.com

Bahrain

Hatem Al Juffali Technical Equipment Establishment.
Kingdom of Bahrain, Setra Highway, Al Aker Area
Phone: +966126971777-311
Fax: +97317704257
E-mail: h.berjas@ejab.com.sa
Egypt

Unimar
20 Markaz kadmat
El tagmoa EL Aoul – New Cairo
Phone: +20 2224 76091-95
Phone: +20 2224 78072-73
Fax: +20222478075
E-mail: adelzaki@unimaregypt.com

Iran

Robert Bosch Iran
3rd Floor, No 3, Maadiran Building
Aftab St., Khodami St., Vanak Sq.
Tehran 1994834571
Phone: +9821 86092057

Iraq

Sahba Technology Group
Al Muthana airport road
Baghdad
Phone: +9647901906953
Phone Dubai: +97143973851
E-mail: bosch@sahbatechnology.com

Jordan

Roots Arabia – Jordan
Nasser Bin Jameel street, Building 37 Al Rabiah
11194 Amman
Phone: +962 6 5545778
E-mail: bosch@rootsjordan.com

Kuwait

Al Qurain Automotive Trading Company
Shuwaikh Industrial Area, Block 1, Plot 16, Street 3rd
P.O. Box 164 – Safat 13002
Phone: 24810844
Fax: 24810879
E-mail: josephkr@aaalmutawa.com

Lebanon

Tehini Hana & Co. S.A.R.L.
P.O. Box 90-449
Jdeideh
Dora-Beirut
Phone: +9611255211
E-mail: service-pt@tehini-hana.com

Libya

El Naser for Workshop Tools
Swanee Road, Alfalah Area
Tripoli
Phone: +218 21 4811184

Oman

Malatan Trading & Contracting LLC
P.O. Box 131
Ruwi, 112 Sultanate of Oman
Phone: +968 99886794
E-mail: malatanpowertools@malatan.net

Qatar

International Construction Solutions W L L
P. O. Box 51,
Doha Phone: +974 40065458
Fax: +974 4453 8585
E-mail: csd@icsdoha.com

Saudi Arabia

Juffali Technical Equipment Co. (JTECO)
Kilo 14, Madinah Road, Al Bawadi District
Jeddah 21431
Phone: +966 2 6672222 Ext. 1528
Fax: +966 2 6676308
E-mail: roland@eajb.com.sa

Syria

Dallal Establishment for Power Tools
P.O. Box 1030
Aleppo
Phone: +963212116083
E-mail: rita.dallal@hotmail.com

United Arab Emirates

Central Motors & Equipment LLC, P.O. Box 1984
Al-Wahda Street – Old Sana Building
Sharjah
Phone: +971 6 593 2777
Fax: +971 6 533 2269
E-mail: powertools@centralmotors.ae

Yemen

Abualrejal Trading Corporation
Sana'a Zubairy St. Front to new Parliament Building
Phone: +967-1-202010
Fax: +967-1-279029
E-mail: tech-tools@abualrejal.com

Ethiopia

Forever plc
Kebele 2, 754, BP 4806,
Addis Ababa
Phone: +251 111 560 600
E-mail: foreverplc@ethionet.et

Ghana

C.WOERMANN LTD.
Nsawam Road/Avenor Junction, P.O. Box 1779
Accra Phone: +233 302 225 141

Kenya

Robert Bosch East Africa Ltd
Mpaka Road P.O. Box 856
00606 Nairobi

Nigeria

Robert Bosch Nigeria Ltd.
52–54 Isaac John Street P.O. Box
GRA Ikeja – Lagos

Republic of South Africa

Customer service

Hotline: (011) 6519600

Gauteng – BSC Service Centre

35 Roper Street, New Centre
Johannesburg
Tel.: (011) 4939375
Fax: (011) 4930126
E-mail: bsctools@icon.co.za

KZN – BSC Service Centre

Unit E, Almar Centre
143 Crompton Street

Pinetown
 Tel.: (031) 7012120
 Fax: (031) 7012446
 E-mail: bsc.dur@za.bosch.com

Western Cape – BSC Service Centre
 Democracy Way, Prosperity Park
 Milnerton
 Tel.: (021) 5512577
 Fax: (021) 5513223
 E-mail: bsc@zsd.co.za

Bosch Headquarters
 Midrand, Gauteng
 Tel.: (011) 6519600
 Fax: (011) 6519880
 E-mail: rbsa-hq.pts@za.bosch.com

Tanzania

Diesel & Autoelectric Service Ltd.
 117 Nyerere Rd., P.O. Box 70839
 Vingunguti 12109, Dar Es Salaam
 Phone: +255 222 861 793/794

Australia, New Zealand and Pacific Islands

Robert Bosch Australia Pty. Ltd.
 Power Tools
 Locked Bag 66
 Clayton South VIC 3169
 Customer Contact Center
 Inside Australia:
 Phone: (01300) 307044
 Fax: (01300) 307045
 Inside New Zealand:
 Phone: (0800) 543353
 Fax: (0800) 428570
 Outside AU and NZ:
 Phone: +61 3 95415555
 www.bosch-pt.com.au
 www.bosch-pt.co.nz

Disposal

The power tool, accessories and packaging should be recycled in an environmentally friendly manner.



Do not dispose of power tools along with household waste.

Only for EU countries:

According to the European Directive 2012/19/EU on Waste Electrical and Electronic Equipment and its implementation into national law, power tools that are no longer usable must be collected separately and disposed of in an environmentally friendly manner.

Français

Consignes de sécurité

Avertissements de sécurité généraux pour l'outil électrique

AVERTISSEMENT Lire tous les avertissements de sécurité, les instructions, les illustrations et les spécifications fournis avec cet outil électrique.

Ne pas suivre les instructions énumérées ci-dessous peut provoquer un choc électrique, un incendie et/ou une blessure sérieuse.

Conservation de tous les avertissements et toutes les instructions pour pouvoir s'y reporter ultérieurement.

Le terme "outil électrique" dans les avertissements fait référence à votre outil électrique alimenté par le secteur (avec cordon d'alimentation) ou votre outil électrique fonctionnant sur batterie (sans cordon d'alimentation).

Sécurité de la zone de travail

- ▶ **Conservation de la zone de travail propre et bien éclairée.** Les zones en désordre ou sombres sont propices aux accidents.
- ▶ **Ne pas faire fonctionner les outils électriques en atmosphère explosive, par exemple en présence de liquides inflammables, de gaz ou de poussières.** Les outils électriques produisent des étincelles qui peuvent enflammer les poussières ou les fumées.
- ▶ **Maintenir les enfants et les personnes présentes à l'écart pendant l'utilisation de l'outil électrique.** Les distractions peuvent vous faire perdre le contrôle de l'outil.

Sécurité électrique

- ▶ **Il faut que les fiches de l'outil électrique soient adaptées au socle. Ne jamais modifier la fiche de quelque façon que ce soit. Ne pas utiliser d'adaptateurs avec des outils électriques à branchement de terre.** Des fiches non modifiées et des socles adaptés réduisent le risque de choc électrique.
- ▶ **Éviter tout contact du corps avec des surfaces reliées à la terre telles que les tuyaux, les radiateurs, les cuisinières et les réfrigérateurs.** Il existe un risque accru de choc électrique si votre corps est relié à la terre.
- ▶ **Ne pas exposer les outils électriques à la pluie ou à des conditions humides.** La pénétration d'eau à l'intérieur d'un outil électrique augmente le risque de choc électrique.
- ▶ **Ne pas maltraiter le cordon. Ne jamais utiliser le cordon pour porter, tirer ou débrancher l'outil électrique. Maintenir le cordon à l'écart de la chaleur, du lubrifiant, des arêtes vives ou des parties en mouvement.**

Des cordons endommagés ou emmêlés augmentent le risque de choc électrique.

- ▶ **Lorsqu'on utilise un outil électrique à l'extérieur, utiliser un prolongateur adapté à l'utilisation extérieure.** L'utilisation d'un cordon adapté à l'utilisation extérieure réduit le risque de choc électrique.
- ▶ **Si l'usage d'un outil électrique dans un emplacement humide est inévitable, utiliser une alimentation protégée par un dispositif à courant différentiel résiduel (RCD).** L'usage d'un RCD réduit le risque de choc électrique.

Sécurité des personnes

- ▶ **Rester vigilant, regarder ce que vous êtes en train de faire et faire preuve de bon sens dans votre utilisation de l'outil électrique. Ne pas utiliser un outil électrique lorsque vous êtes fatigué ou sous l'emprise de drogues, de l'alcool ou de médicaments.** Un moment d'inattention en cours d'utilisation d'un outil électrique peut entraîner des blessures graves.
- ▶ **Utiliser un équipement de protection individuelle. Toujours porter une protection pour les yeux.** Les équipements de protection individuelle tels que les masques contre les poussières, les chaussures de sécurité antidérapantes, les casques ou les protections auditives utilisés pour les conditions appropriées réduisent les blessures.
- ▶ **Éviter tout démarrage intempestif. S'assurer que l'interrupteur est en position arrêt avant de brancher l'outil au secteur et/ou au bloc de batteries, de le ramasser ou de le porter.** Porter les outils électriques en ayant le doigt sur l'interrupteur ou brancher des outils électriques dont l'interrupteur est en position marche est source d'accidents.
- ▶ **Retirer toute clé de réglage avant de mettre l'outil électrique en marche.** Une clé laissée fixée sur une partie tournante de l'outil électrique peut donner lieu à des blessures.
- ▶ **Ne pas se précipiter. Garder une position et un équilibre adaptés à tout moment.** Cela permet un meilleur contrôle de l'outil électrique dans des situations inattendues.
- ▶ **S'habiller de manière adaptée. Ne pas porter de vêtements amples ou de bijoux. Garder les cheveux et les vêtements à distance des parties en mouvement.** Des vêtements amples, des bijoux ou les cheveux longs peuvent être pris dans des parties en mouvement.
- ▶ **Si des dispositifs sont fournis pour le raccordement d'équipements pour l'extraction et la récupération des poussières, s'assurer qu'ils sont connectés et correctement utilisés.** Utiliser des collecteurs de poussière peut réduire les risques dus aux poussières.
- ▶ **Rester vigilant et ne pas négliger les principes de sécurité de l'outil sous prétexte que vous avez l'habitude de l'utiliser.** Une fraction de seconde d'inattention peut provoquer une blessure grave.

Utilisation et entretien de l'outil électrique

- ▶ **Ne pas forcer l'outil électrique. Utiliser l'outil électrique adapté à votre application.** L'outil électrique adapté réalise mieux le travail et de manière plus sûre au régime pour lequel il a été construit.
- ▶ **Ne pas utiliser l'outil électrique si l'interrupteur ne permet pas de passer de l'état de marche à arrêt et inversement.** Tout outil électrique qui ne peut pas être commandé par l'interrupteur est dangereux et il faut le réparer.
- ▶ **Débrancher la fiche de la source d'alimentation et/ou enlever le bloc de batteries, s'il est amovible, avant tout réglage, changement d'accessoires ou avant de ranger l'outil électrique.** De telles mesures de sécurité préventives réduisent le risque de démarrage accidentel de l'outil électrique.
- ▶ **Conserver les outils électriques à l'arrêt hors de la portée des enfants et ne pas permettre à des personnes ne connaissant pas l'outil électrique ou les présentes instructions de le faire fonctionner.** Les outils électriques sont dangereux entre les mains d'utilisateurs novices.
- ▶ **Observer la maintenance des outils électriques et des accessoires. Vérifier qu'il n'y a pas de mauvais alignement ou de blocage des parties mobiles, des pièces cassées ou toute autre condition pouvant affecter le fonctionnement de l'outil électrique. En cas de dommages, faire réparer l'outil électrique avant de l'utiliser.** De nombreux accidents sont dus à des outils électriques mal entretenus.
- ▶ **Garder affûtés et propres les outils permettant de couper.** Des outils destinés à couper correctement entretenus avec des pièces coupantes tranchantes sont moins susceptibles de bloquer et sont plus faciles à contrôler.
- ▶ **Utiliser l'outil électrique, les accessoires et les lames etc., conformément à ces instructions, en tenant compte des conditions de travail et du travail à réaliser.** L'utilisation de l'outil électrique pour des opérations différentes de celles prévues peut donner lieu à des situations dangereuses.
- ▶ **Il faut que les poignées et les surfaces de préhension restent sèches, propres et dépourvues d'huiles et de graisses.** Des poignées et des surfaces de préhension glissantes rendent impossibles la manipulation et le contrôle en toute sécurité de l'outil dans les situations inattendues.

Maintenance et entretien

- ▶ **Faire entretenir l'outil électrique par un réparateur qualifié utilisant uniquement des pièces de rechange identiques.** Cela assure le maintien de la sécurité de l'outil électrique.

Avertissements de sécurité pour la perceuse

Instructions de sécurité pour toutes les opérations

- ▶ **Utiliser la ou les poignées auxiliaires.** La perte de contrôle peut provoquer des blessures.
- ▶ **Tenir l'outil électrique par les surfaces de préhension isolées, au cours des opérations pendant lesquelles l'accessoire de coupe peut être en contact avec un câblage caché ou avec son propre cordon.** Un accessoire de coupe en contact avec un fil "sous tension" peut "mettre sous tension" les parties métalliques exposées de l'outil électrique et provoquer un choc électrique chez l'opérateur.

Instructions de sécurité pour l'utilisation de forets longs

- ▶ **Ne jamais utiliser à une vitesse supérieure à la vitesse assignée maximale du foret.** À des vitesses supérieures, le foret est susceptible de se plier s'il peut tourner librement sans être en contact avec la pièce à usiner, ce qui provoque des blessures.
- ▶ **Toujours commencer à percer à faible vitesse et en mettant l'embout du foret en contact avec la pièce à usiner.** À des vitesses supérieures, le foret est susceptible de se plier s'il peut tourner librement sans être en contact avec la pièce à usiner, ce qui provoque des blessures.
- ▶ **Appliquer une pression uniquement sur le foret et ne pas appliquer de pression excessive.** Les forets peuvent se plier, ce qui peut provoquer leur casse ou une perte de contrôle, et donc des blessures.

Consignes de sécurité additionnelles

- ▶ **Bloquez la pièce à travailler.** Une pièce à travailler serrée par des dispositifs de serrage appropriés ou dans un étau est fixée de manière plus sûre que quand elle est tenue avec une main.
- ▶ **Arrêtez immédiatement l'outil électroportatif dès que l'accessoire se bloque. Attendez-vous à des couples de réaction importants causant des rebonds.** L'accessoire se bloque quand il reste coincé dans la pièce ou quand l'outil électroportatif est en surcharge.
- ▶ **Utilisez un détecteur approprié pour vérifier s'il n'y a pas de conduites cachées ou contactez votre société de distribution d'eau locale.** Tout contact avec des câbles électriques peut provoquer un incendie ou un choc électrique. Tout endommagement d'une conduite de gaz peut provoquer une explosion. La perforation d'une conduite d'eau provoque des dégâts matériels et peut provoquer un choc électrique.
- ▶ **Avant de poser l'outil électroportatif, attendez que celui-ci soit complètement à l'arrêt.** L'outil risque de se coincer, ce qui entraînerait une perte de contrôle de l'outil électroportatif.

Description des prestations et du produit



Lisez attentivement toutes les instructions et consignes de sécurité. Le non-respect des instructions et consignes de sécurité peut provoquer un choc électrique, un incendie et/ou entraîner de graves blessures.

Référez-vous aux illustrations qui se trouvent à l'avant de la notice d'utilisation.

Utilisation conforme

L'outil électroportatif est conçu pour le perçage dans le bois, le métal, la céramique et les matières plastiques.

L'outil électroportatif est conçu pour le gâchage de matériaux de construction en poudre tels que mortiers, enduits, colles ainsi que peintures et vernis exempts de produits solvants, ou pour le gâchage de matériaux similaires.

Éléments constitutifs

La numérotation des éléments de l'appareil se réfère à la représentation de l'outil électroportatif sur la page graphique.

- (1) Mandrin à couronne dentée ^{A)}
- (2) Poignée supplémentaire (surface de préhension isolée)
- (3) Filetage pour la poignée supplémentaire
- (4) Poignée supplémentaire (surface de préhension isolée)
- (5) Bouton de blocage de l'interrupteur Marche/Arrêt
- (6) Interrupteur Marche/Arrêt
- (7) Sélecteur de sens de rotation
- (8) Poignée (surface de préhension isolante)
- (9) Clé de mandrin ^{A)}
- (10) Vis de blocage du mandrin à couronne dentée

A) **Les accessoires décrits ou illustrés ne sont pas tous compris dans la fourniture. Vous trouverez les accessoires complets dans notre gamme d'accessoires.**

Caractéristiques techniques

Perceuse	GBM 1600 RE	
Référence		3 601 AB0 0..
Puissance absorbée nominale	W	850
Régime à vide	min ⁻¹	630
Couple nominal	Nm	11
Collet de broche	mm	43
Ø de perçage maxi		
- Acier	mm	16
- Bois	mm	40
- Aluminium	mm	16
Plage de serrage du mandrin	mm	3-16

Perceuse		GBM 1600 RE
Rotation droite/gauche		●
Diamètre maximal du marteau	mm	160
Poids selon EPTA-Procédure 01:2014	kg	3,0
Classe de protection		□ / II

Les données indiquées sont valables pour une tension nominale [U] de 230 V. Elles peuvent varier lorsque la tension diffère de cette valeur et sur certaines versions destinées à certains pays.

Montage

- ▶ **Débranchez le câble d'alimentation de la prise avant d'effectuer des travaux quels qu'il soient sur l'outil électroportatif.**

Poignée supplémentaire (voir figure A)

- ▶ **Utiliser l'outil électroportatif exclusivement avec les poignées supplémentaires (2) et (4).**

Vissez la poignée supplémentaire (2) dans le filet (3) sur le boîtier du moteur.

La poignée supplémentaire (4) peut tourner de 360° en continu.

Changement d'accessoire (voir figure B)

- ▶ **Portez des gants de protection lors d'un changement d'accessoire.** En cas de travaux assez longs, le mandrin de perçage risque de s'échauffer fortement.

Mandrin à couronne dentée à verrouillage automatique

Ouvrez le mandrin à couronne dentée (1) en le tournant jusqu'à pouvoir insérer l'outil.

Mettez en place l'outil. Introduisez la clé de mandrin (9) dans les orifices correspondants du mandrin à couronne dentée (1) et serrez l'outil de manière uniforme.

Changement du mandrin de perçage (voir figure C)

- ▶ **Débranchez le câble d'alimentation de la prise avant d'effectuer des travaux quels qu'il soient sur l'outil électroportatif.**

Enlever la vis de sécurité

Le mandrin à couronne dentée (1) est sécurisé par une vis de blocage contre un détachement accidentel de la broche de perçage (10).

Ouvrez complètement le mandrin de perçage (1) et dévissez la vis de blocage (10) dans le sens horaire. **Attention, la vis de fixation a un filet à gauche.**

Si la vis de blocage (10) est bloquée, placez un tournevis sur la tête de la vis et desserrez la vis de blocage en donnant un coup sur la poignée du tournevis.

Démontage du mandrin de perçage

Pour démonter le mandrin à couronne dentée (1), placez une clé plate (SW 17) sur l'écrou disposé sur la broche d'entraînement.

Tenez le mandrin à couronne dentée par une main et tournez la clé plate par l'autre main dans le sens antihoraire jusqu'à ce que le mandrin se détache du cône de la broche de perçage.

Montage du mandrin de perçage

- ▶ **Veillez à ce que le cône de la broche de perçage et l'alésage du mandrin de perçage ne soient pas recouverts d'huile ni de saletés.**

Pour monter le mandrin à couronne dentée (1) tournez à fond l'écrou disposé sur la broche d'entraînement dans le sens horaire.

Montez le mandrin à couronne dentée sur la broche d'entraînement sans forcer jusqu'à ce qu'il soit bien fixé.

Donnez de légers coups de marteau en caoutchouc sur la face avant du mandrin à couronne dentée (1) afin d'en garantir la stabilité. Prenez soin à ce que les mâchoires de serrage du mandrin à couronne dentée ne débordent pas afin de ne pas endommager le mandrin.

Monter la vis de blocage

Visser la vis de blocage (10) dans le sens antihoraire dans le mandrin de perçage à couronne dentée ouvert. Utiliser à chaque fois une nouvelle vis de blocage, car la masse adhésive de sécurité appliquée sur son filet perd de son efficacité en cas d'utilisations multiples.

Aspiration de poussières/de copeaux

Les poussières de matériaux tels que peintures contenant du plomb, certains bois, minéraux ou métaux, peuvent être nuisibles à la santé. Entrer en contact ou aspirer les poussières peut entraîner des réactions allergiques et/ou des maladies respiratoires auprès de l'utilisateur ou de personnes se trouvant à proximité.

Certaines poussières telles que les poussières de chêne ou de hêtre sont considérées comme cancérigènes, surtout en association avec des additifs pour le traitement du bois (chromate, lazure). Les matériaux contenant de l'amiante ne doivent être travaillés que par des personnes qualifiées.

- Veillez à bien aérer la zone de travail.
- Il est recommandé de porter un masque respiratoire avec un niveau de filtration de classe P2.

Respectez les règlements spécifiques aux matériaux à traiter en vigueur dans votre pays

- ▶ **Évitez toute accumulation de poussières sur le lieu de travail.** Les poussières peuvent facilement s'enflammer.

Mise en marche

Mise en marche

- ▶ **Tenez compte de la tension du réseau ! La tension de la source de courant doit correspondre aux indications se trouvant sur la plaque signalétique de l'outil**

électroportatif. Les outils électroportatifs marqués 230 V peuvent également fonctionner sur 220 V.

Sélection du sens de rotation (voir figure D)

Le sélecteur de sens de rotation (7) permet d'inverser le sens de rotation de l'outil électroportatif. Cela n'est toutefois pas possible lorsqu'on appuie sur l'interrupteur Marche/Arrêt (6).

Rotation à droite : Pour percer ou agiter, appuyez sur le commutateur de rotation (7) vers la gauche jusqu'en butée.

Rotation à gauche : Pour dissoudre ou agiter, appuyez sur le commutateur de rotation (7) vers la droite jusqu'en butée.

Mise en marche/arrêt

Pour **mettre en marche** l'outil électroportatif, actionnez l'interrupteur Marche/Arrêt (6) et maintenez-le actionné.

Pour **bloquer** l'interrupteur marche/arrêt (6), appuyez en même temps sur la touche de blocage (5).

Pour **arrêter** l'outil électroportatif, relâchez l'interrupteur marche/arrêt (6) et, s'il est bloqué avec le bouton de blocage (5), appuyez brièvement sur l'interrupteur marche/arrêt (6) puis relâchez-le.

Réglage de la vitesse de rotation

Il est possible de faire varier en continu la vitesse de rotation de l'outil électroportatif en exerçant plus ou moins de pression sur l'interrupteur Marche/Arrêt (6).

Une légère pression sur l'interrupteur Marche/Arrêt (6) produit une faible vitesse de rotation. Plus l'on exerce de pression, plus la vitesse de rotation augmente.

Instructions de travail pour percer

Utilisez une émulsion de perçage ou une huile de coupe à des fins de refroidissement et de graissage pour empêcher une surchauffe et un blocage du foret.

Dans le cas de diamètres de perçage > 10 mm, percez un avant-trou avec un petit diamètre de perçage. Ceci permet de réduire la pression et de ménager l'outil électroportatif.

Lorsque vous percez du métal, n'utilisez que des forets HSS (HSS=acier à coupe rapide haute performance) sans défauts et affûtés. La gamme d'accessoires Bosch vous assure la qualité nécessaire.

L'étau disponible comme accessoire permet de serrer l'outil fermement. Ceci empêche l'outil de bouger et de par là, prévient les accidents.

Instructions de travail pour agiter

- ▶ **Ne jamais monter l'outil électroportatif dans un support pour une utilisation stationnaire.**
- ▶ **Évitez les projections de produit à malaxer.** Vous risquez sinon de glisser et de perdre le contrôle de l'outil électroportatif.
- ▶ **Évitez de faire fonctionner de façon prolongée l'outil électroportatif à régime réduit.** Le moteur de l'outil électroportatif risque de surchauffer.

Pour débloquer le bouton de blocage (5), appuyez brièvement sur l'interrupteur Marche/Arrêt (6) et relâchez-le. Cela

empêche la remise en marche intempestive de l'outil électroportatif et prévient tout risque de blessure.

Le choix du malaxeur est dicté par la nature du produit à malaxer.

Pour les produits de faible viscosité, tels que peintures acryliques, vernis, colles, brais, mélanges de ciment et d'eau, utilisez un malaxeur avec spirale à gauche. Avec un malaxeur à spirale à gauche, le produit est mélangé du haut vers le bas. Le malaxeur est repoussé vers le haut. Les produits à faible viscosité ont tendance à faire quelques petites projections quand ils sont mélangés.

Pour les produits de forte viscosité, tels que enduits, béton, ciment, mortiers, mastics et résines époxy, utilisez un malaxeur avec spirale à droite. Avec un malaxeur à spirale à droite, le produit est mélangé du bas vers le haut. Le malaxeur s'enfonce dans le produit à malaxer. Les produits à forte viscosité sont très bien mélangés.

Lors de travaux, déplacer l'outil électroportatif de haut en bas et de bas en haut. Nettoyer le malaxeur après utilisation.

▶ Rangez l'outil électroportatif dans un endroit sûr.

Faites en sorte qu'il ne puisse pas tomber. L'outil électroportatif risque sinon d'être endommagé.

Entretien et Service après-vente

Nettoyage et entretien

- ▶ **Débranchez le câble d'alimentation de la prise avant d'effectuer des travaux quels qu'il soient sur l'outil électroportatif.**
- ▶ **Tenez toujours propres l'outil électroportatif ainsi que les fentes de ventilation afin d'obtenir un travail impeccable et sûr.**

Dans le cas où un remplacement du câble d'alimentation s'avère nécessaire, confiez la réparation à Bosch ou à un centre de Service après-vente agréé pour outillage Bosch afin d'éviter de compromettre la sécurité.

Service après-vente et conseil utilisateurs

Notre Service après-vente répond à vos questions concernant la réparation et l'entretien de votre produit et les pièces de rechange. Vous trouverez des vues éclatées et des informations sur les pièces de rechange sur le site : www.bosch-pt.com

L'équipe de conseil utilisateurs Bosch se tient à votre disposition pour répondre à vos questions concernant nos produits et leurs accessoires.

www.powertool-portal.de, le portail Internet pour artisans et bricoleurs.

Pour toute demande de renseignement ou commande de pièces de rechange, précisez impérativement la référence à 10 chiffres figurant sur l'étiquette signalétique du produit.

Algérie

Siestal
Zone Industrielle Ihaddaden
06000 Bejaia
Tel. : +213 (0) 982 400 991/2

Fax : +213 (0) 3 420 1569
E-Mail : sav@siestal-dz.com

Maroc

Robert Bosch Morocco SARL
53, Rue Lieutenant Mahroud Mohamed
20300 Casablanca
E-Mail : sav.outillage@ma.bosch.com

Tunisie

Robert Bosch Tunisie SARL
7 Rue Ibn Battouta Z.I. Saint Gobain
Mégrine Riadh
2014 Ben Arous
Tél. : +216 71 427 496/879
Fax : +216 71 428 621
E-Mail : sav.outillage@tn.bosch.com

Côte d'Ivoire

Rimco
ZONE 3, 9 RUE DU CANAL
01 BP V230, Abidjan 01
Tel. : +225 21 25 93 38

Sénégal

Bernabé
Km 2,5 – Bd du Centenaire de la Commune de Dakar
B.P. 2098 DAKAR
Tel. : +221 33 849 01 01
Fax : +221 33 823 34 20

Élimination des déchets

Les outils électroportatifs, ainsi que leurs accessoires et emballages, doivent pouvoir suivre chacun une voie de recyclage appropriée.



Ne jetez pas les outils électroportatifs avec les ordures ménagères !

Seulement pour les pays de l'UE :

Conformément à la directive européenne 2012/19/UE relative aux déchets d'équipements électriques et électroniques et sa mise en vigueur conformément aux législations nationales, les outils électroportatifs dont on ne peut plus se servir doivent être isolés et suivre une voie de recyclage appropriée.



Português

Instruções de segurança

Instruções gerais de segurança para ferramentas eléctricas

AVISO

Devem ser lidas todas as indicações de segurança,

instruções, ilustrações e especificações desta ferramenta eléctrica. O desrespeito das instruções apresentadas abaixo poderá resultar em choque eléctrico, incêndio e/ou ferimentos graves.

Guarde bem todas as advertências e instruções para futura referência.

O termo "ferramenta eléctrica" utilizado a seguir nas indicações de advertência, refere-se a ferramentas eléctricas operadas com corrente de rede (com cabo de rede) e a ferramentas eléctricas operadas com acumulador (sem cabo de rede).

Segurança da área de trabalho

- ▶ **Mantenha a sua área de trabalho sempre limpa e bem iluminada.** Desordem ou áreas de trabalho insuficientemente iluminadas podem levar a acidentes.
- ▶ **Não trabalhar com a ferramenta eléctrica em áreas com risco de explosão, nas quais se encontrem líquidos, gases ou pós inflamáveis.** Ferramentas eléctricas produzem faíscas, que podem inflamar pós ou vapores.
- ▶ **Manter crianças e outras pessoas afastadas da ferramenta eléctrica durante a utilização.** No caso de distração é possível que perca o controlo sobre o aparelho.

Segurança eléctrica

- ▶ **A ficha de conexão da ferramenta eléctrica deve caber na tomada. A ficha não deve ser modificada de maneira alguma. Não utilizar uma ficha de adaptação junto com ferramentas eléctricas protegidas por ligação à terra.** Fichas não modificadas e tomadas apropriadas reduzem o risco de um choque eléctrico.
- ▶ **Evitar que o corpo possa entrar em contacto com superfícies ligadas à terra, como tubos, aquecimentos, fogões e frigoríficos.** Há um risco elevado devido a choque eléctrico, se o corpo estiver ligado à terra.
- ▶ **Manter o aparelho afastado de chuva ou humidade.** A infiltração de água numa ferramenta eléctrica aumenta o risco de choque eléctrico.
- ▶ **Não deverá utilizar o cabo para outras finalidades. Nunca utilizar o cabo para transportar a ferramenta eléctrica, para pendurá-la, nem para puxar a ficha da tomada. Manter o cabo afastado do calor, do óleo, de**

arestas afiadas ou de peças em movimento. Cabos danificados ou emaranhados aumentam o risco de um choque eléctrico.

- ▶ **Se trabalhar com uma ferramenta eléctrica ao ar livre, só deverá utilizar cabos de extensão apropriados para áreas exteriores.** A utilização de um cabo de extensão apropriado para áreas exteriores reduz o risco de um choque eléctrico.
- ▶ **Se não for possível evitar o funcionamento da ferramenta eléctrica em áreas húmidas, deverá ser utilizado um disjuntor de corrente de avaria.** A utilização de um disjuntor de corrente de avaria reduz o risco de um choque eléctrico.

Segurança de pessoas

- ▶ **Esteja atento, observe o que está a fazer e tenha prudência ao trabalhar com a ferramenta eléctrica. Não utilizar uma ferramenta eléctrica quando estiver fatigado ou sob a influência de drogas, álcool ou medicamentos.** Um momento de descuido ao utilizar a ferramenta eléctrica, pode levar a lesões graves.
- ▶ **Utilizar equipamento de protecção individual. Utilizar sempre óculos de protecção.** A utilização de equipamento de protecção pessoal, como máscara de protecção contra pó, sapatos de segurança antiderrapantes, capacete de segurança ou protecção auricular, de acordo com o tipo e aplicação da ferramenta eléctrica, reduz o risco de lesões.
- ▶ **Evitar uma colocação em funcionamento involuntária. Assegure-se de que a ferramenta eléctrica esteja desligada, antes de conectá-la à alimentação de rede e/ou ao acumulador, antes de levantá-la ou de transportá-la.** Se tiver o dedo no interruptor ao transportar a ferramenta eléctrica ou se o aparelho for conectado à alimentação de rede enquanto estiver ligado, poderão ocorrer acidentes.
- ▶ **Remover ferramentas de ajuste ou chaves de boca antes de ligar a ferramenta eléctrica.** Uma ferramenta ou chave que se encontre numa parte do aparelho em movimento pode levar a lesões.
- ▶ **Evite uma posição anormal. Mantenha uma posição firme e mantenha sempre o equilíbrio.** Desta forma é mais fácil controlar a ferramenta eléctrica em situações inesperadas.
- ▶ **Usar roupa apropriada. Não usar roupa larga nem jóias. Mantenha os cabelos e roupas afastados de peças em movimento.** Roupas frouxas, cabelos longos ou jóias podem ser agarrados por peças em movimento.
- ▶ **Se for possível montar dispositivos de aspiração ou de recolha, assegure-se de que estejam conectados e utilizados correctamente.** A utilização de uma aspiração de pó pode reduzir o perigo devido ao pó.
- ▶ **Não deixe que a familiaridade resultante de uma utilização frequente de ferramentas permita que você se torne complacente e ignore os princípios de segurança da ferramenta.** Uma acção descuidada pode causar ferimentos graves numa fracção de segundo.

Utilização e manuseio cuidadoso de ferramentas eléctricas

- ▶ **Não sobrecarregue a ferramenta eléctrica. Utilize a ferramenta eléctrica apropriada para o seu trabalho.** É melhor e mais seguro trabalhar com a ferramenta eléctrica apropriada na área de potência indicada.
- ▶ **Não utilizar uma ferramenta eléctrica com um interruptor defeituoso.** Uma ferramenta eléctrica que não pode mais ser ligada nem desligada, é perigosa e deve ser reparada.
- ▶ **Puxar a ficha da tomada e/ou remover o acumulador, se amovível, antes de executar ajustes na ferramenta eléctrica, de substituir acessórios ou de guardar as ferramentas eléctricas.** Esta medida de segurança evita o arranque involuntário da ferramenta eléctrica.
- ▶ **Guardar ferramentas eléctricas não utilizadas fora do alcance de crianças e não permitir que as pessoas que não estejam familiarizadas com o aparelho ou que não tenham lido estas instruções utilizem o aparelho.** Ferramentas eléctricas são perigosas se forem utilizadas por pessoas inexperientes.
- ▶ **Tratar a ferramenta eléctrica e os acessórios com cuidado. Controlar se as partes móveis do aparelho funcionam perfeitamente e não emperram, e se há peças quebradas ou danificadas que possam prejudicar o funcionamento da ferramenta eléctrica. Permitir que peças danificadas sejam reparadas antes da utilização.** Muitos acidentes têm como causa, a manutenção insuficiente de ferramentas eléctricas.
- ▶ **Manter as ferramentas de corte afiadas e limpas.** Ferramentas de corte cuidadosamente tratadas e com cantos de corte afiados emperram com menos frequência e podem ser conduzidas com maior facilidade.
- ▶ **Utilizar a ferramenta eléctrica, acessórios, ferramentas de aplicação, etc. conforme estas instruções. Considerar as condições de trabalho e a tarefa a ser executada.** A utilização de ferramentas eléctricas para outras tarefas a não ser as aplicações previstas, pode levar a situações perigosas.
- ▶ **Mantenha os punhos e as superfícies de agarrar secas, limpas e livres de óleo e massa consistente.** Punhos e superfícies de agarrar escorregadias não permitem o manuseio e controle seguros da ferramenta em situações inesperadas.

Serviço

- ▶ **Só permita que o seu aparelho seja reparado por pessoal especializado e qualificado e só com peças de reposição originais.** Desta forma é assegurado o funcionamento seguro do aparelho.

Indicações de segurança para berbequins

Instruções de segurança para todas as operações

- ▶ **Use o(s) punho(s) auxiliar(es), caso seja(m) fornecido(s) com a ferramenta.** A perda de controlo pode resultar em ferimentos pessoais.

- ▶ **Segure a ferramenta elétrica nas superfícies de agarrar isoladas, ao executar uma operação onde o acessório de corte possa entrar em contacto com cabos escondidos ou com o próprio cabo.** Se o acessório de corte entrar em contacto com um fio "sob tensão", as partes metálicas expostas da ferramenta elétrica ficam "sob tensão" e podem produzir um choque elétrico.

Instruções de segurança ao usar brocas longas

- ▶ **Nunca opere a uma velocidade maior do que a velocidade máxima da broca.** A velocidades mais altas, a broca pode dobrar-se ao rodar livremente sem entrar em contacto com a peça de trabalho, causando ferimento pessoal.
- ▶ **Comece sempre a perfurar a baixa velocidade e com a ponta da broca em contato com a peça de trabalho.** A velocidades mais altas, a broca pode dobrar-se ao rodar livremente sem entrar em contato com a peça de trabalho, causando ferimento pessoal.
- ▶ **Aplique pressão apenas em linha direta com a broca e não aplique pressão excessiva.** As brocas podem dobrar-se, causando rutura ou perda de controlo, ou mesmo ferimento pessoal.

Instruções de segurança adicionais

- ▶ **Fixar a peça a ser trabalhada.** Uma peça a ser trabalhada fixa com dispositivos de aperto ou com torno de bancada está mais firme do que segurada com a mão.
- ▶ **Desligue a ferramenta de imediato se a ferramenta de trabalho encravar. Esteja atento aos binários de reação que podem dar origem a contragolpes.** O acessório acoplável fica encravado se a ferramenta elétrica for sobrecarregada ou se ficar emperrada na peça a ser trabalhada.
- ▶ **Utilizar detetores apropriados, para encontrar cabos escondidos, ou consulte a companhia elétrica local.** O contacto com cabos elétricos pode provocar fogo e choques elétricos. Danos em tubos de gás podem levar à explosão. A penetração num cano de água causa danos materiais ou pode provocar um choque elétrico.
- ▶ **Esperre que a ferramenta elétrica pare completamente, antes de depositá-la.** A ferramenta de aplicação pode emperrar e levar à perda de controlo sobre a ferramenta elétrica.

Descrição do produto e do serviço



Leia todas as instruções de segurança e instruções. A inobservância das instruções de segurança e das instruções pode causar choque elétrico, incêndio e/ou ferimentos graves.

Respeite as figuras na parte da frente do manual de instruções.

Utilização adequada

O aparelho é destinado para furar em madeira, metal, cerâmica e plástico.

A ferramenta elétrica destina-se a misturar material de construção em pó como argamassa, reboco, colas, assim como tintas, vernizes e substâncias semelhantes que não contenham solventes.

Componentes ilustrados

A numeração dos componentes ilustrados refere-se à apresentação da ferramenta elétrica na página de esquemas.

- (1) Bucha de coroa dentada ^{A)}
- (2) Punho adicional (superfície do punho isolada)
- (3) Rosca para punho adicional
- (4) Punho adicional (superfície do punho isolada)
- (5) Tecla de fixação para o interruptor de ligar/desligar
- (6) Interruptor de ligar/desligar
- (7) Computador do sentido de rotação
- (8) Punho (superfície do punho isolada)
- (9) Chave de buchas ^{A)}
- (10) Parafuso de segurança para mandril brocas de coroa dentada

A) **Acessórios apresentados ou descritos não pertencem ao volume de fornecimento padrão. Todos os acessórios encontram-se no nosso programa de acessórios.**

Dados técnicos

Berbequim	GBM 1600 RE	
Número de produto		3 601 AB0 0..
Potência nominal absorvida	W	850
N.º de rotações em ponto morto	r.p.m.	630
Binário nominal	Nm	11
Diâmetro da gola do veio	mm	43
Ø máx. de perfuração		
- Aço	mm	16
- Madeira	mm	40
- Alumínio	mm	16
Faixa de aperto do mandril	mm	3-16
Marcha à direita/à esquerda		●
Diâmetro máximo da barra misturadora	mm	160
Peso conforme EPTA-Procedure 01:2014	kg	3,0
Classe de proteção		□ / II

Os dados aplicam-se a uma tensão nominal [U] de 230 V. Com tensões divergentes e em versões específicas do país, estes dados podem variar.

Montagem

- ▶ **Antes de todos trabalhos na ferramenta elétrica deverá puxar a ficha de rede da tomada.**

Punho adicional (ver figura A)

- ▶ **Utilize a sua ferramenta elétrica exclusivamente com os punhos adicionais (2) e (4).**

Aparafuse o punho adicional (2) na rosca (3) na carcaça do motor.

O punho adicional (4) pode ser continuamente rodado em 360°.

Troca de ferramenta (ver figura B)

- ▶ **Use luvas de proteção ao trocar de ferramenta.** A bucha pode aquecer muito durante trabalhos prolongados.

Mandril de brocas de coroa dentada com travamento automático

Abra a bucha de coroa dentada (1) rodando até a ferramenta poder ser inserida.

Introduzir a ferramenta. Insira a chave de buchas (9) nos respetivos orifícios da bucha de coroa dentada (1) e aperte a ferramenta uniformemente.

Trocar a bucha (ver figura C)

- ▶ **Antes de todos trabalhos na ferramenta elétrica deverá puxar a ficha de rede da tomada.**

Remover o parafuso de segurança

A bucha de aperto rápido (1) está protegida contra desaperto involuntário do veio da broca com um parafuso de segurança (10).

Abra a bucha de aperto rápido (1) completamente e rode o parafuso de segurança (10) para a direita para o retirar.

Tenha em atenção que o parafuso de segurança tem uma rosca para a esquerda.

Se o parafuso de segurança (10) estiver bem apertado, coloque uma chave de parafusos na cabeça do parafuso e solte o parafuso de segurança através de um batimento no punho da chave de parafusos.

Desmontar o mandril de brocas

Para a desmontagem da bucha de coroa dentada (1) coloque uma chave de bocas (tamanho 17 mm) na porca do veio de acionamento.

Segure a bucha de coroa dentada com uma mão e rode com a outra mão a chave de bocas para a esquerda, até que a bucha se solte do cone da bucha.

Montar o mandril de brocas

- ▶ **Mantenha o cone do veio da broca e o furo da bucha livre de gordura e sujidade.**

Para a montagem da bucha de coroa dentada (1) rode a porca no veio de acionamento para a direita até ao batente. Insira a bucha de coroa dentada sem violência no veio de acionamento até que encaixe bem.

Bata ligeiramente com um martelo de borracha no topo da bucha de coroa dentada (1), para garantir um assento seguro da bucha de coroa dentada. Certifique-se de que os mordentes da bucha de coroa dentada não estão salientes para não os danificar.

Montar o parafuso de retenção

Aperte o parafuso de retenção (10) rodando-o para a esquerda na bucha de coroa dentada aberta. Utilize respetivamente um parafuso de retenção novo em cuja rosca tenha sido aplicada uma massa adesiva, a qual vai deixando de fazer efeito com as utilizações.

Aspiração de pó/de aparas

Pós de materiais como por exemplo, tintas que contém chumbo, alguns tipos de madeira, minerais e metais, podem ser nocivos à saúde. O contacto ou a inalação dos pós pode provocar reações alérgicas e/ou doenças nas vias respiratórias do utilizador ou das pessoas que se encontrem por perto.

Certos pós, como por exemplo pó de carvalho e faia são considerados como sendo cancerígenos, especialmente quando juntos com substâncias para o tratamento de madeiras (cromato, preservadores de madeira). Material que contém asbesto só deve ser processado por pessoal especializado.

- Assegurar uma boa ventilação do local de trabalho.
- É recomendável usar uma máscara de proteção respiratória com filtro da classe P2.

Observe as diretivas para os materiais a serem processados, vigentes no seu país.

- ▶ **Evite a acumulação de pó no local de trabalho.** Pós podem entrar levemente em ignição.

Funcionamento

Colocação em funcionamento

- ▶ **Observar a tensão de rede! A tensão da fonte de corrente elétrica deve coincidir com os dados que constam na placa de características da ferramenta elétrica. Ferramentas elétricas marcadas para 230 V também podem ser operadas com 220 V.**

Ajustar o sentido de rotação (ver imagem D)

Com o comutador de sentido de rotação (7) é possível alterar o sentido de rotação da ferramenta elétrica. Com o interruptor de ligar/desligar pressionado (6) isto no entanto não é possível.

Rotação à direita: para perfurar ou misturar, pressione o comutador do sentido de rotação (7) para a esquerda até ao batente.

Rotação à esquerda: para desapertar ou misturar, pressione o comutador do sentido de rotação (7) para a direita até ao batente.

Ligar/desligar

Para a **colocação em funcionamento** da ferramenta elétrica deverá pressionar o interruptor de ligar/desligar **(6)** e mantenha-o pressionado.

Para **fixar** o interruptor de ligar/desligar **(6)** pressionado, prima o botão de fixação **(5)**.

Para **desligar** ferramenta elétrica liberte o interruptor de ligar/desligar **(6)** ou, se este estiver bloqueado com o botão de fixação **(5)**, pressione o interruptor de ligar/desligar **(6)** brevemente e depois liberte-o.

Ajustar o número de rotações

Pode regular a velocidade da ferramenta elétrica ligada de forma contínua, consoante a pressão que faz no interruptor de ligar/desligar **(6)**.

Uma leve pressão sobre o interruptor de ligar/desligar **(6)** proporciona um número de rotações baixo. Aumentando a pressão, é aumentado o n.º de rotações.

Indicações de trabalho para perfurar

Utilizar uma emulsão de perfuração ou um óleo de corte para a refrigeração e lubrificação, para evitar que a broca seja sobreaquecida ou que possa emperrar.

Ao furar diâmetros de perfuração > 10 mm comece com um pequeno diâmetro de perfuração. Desta forma pode reduzir a força de pressão e sobrecarregar menos a ferramenta elétrica.

Ao furar metal utilize apenas brocas HSS afiadas e sem problemas (HSS= aço de corte rápido de alto rendimento). O programa de acessórios Bosch garante a qualidade adequada.

O torno de bancada de máquina adquirível como acessório possibilita uma fixação segura da peça a ser trabalhada. Isto evita que a peça a ser trabalhada possa virar, provocando acidentes.

Indicações de trabalho para misturar

- ▶ **Não utilize a ferramenta elétrica com um suporte.**
- ▶ **Evite verter material a vibrar.** Caso contrário poderá escorregar e perder o controlo sobre a ferramenta elétrica.
- ▶ **Evite o funcionamento contínuo da ferramenta elétrica com um número de rotações reduzido.** Caso contrário o motor da ferramenta elétrica pode sobreaquecer.

Para soltar o botão de fixação **(5)**, pressione brevemente e volte a soltar o interruptor de ligar/desligar **(6)**. Assim evita um arranque inadvertido da ferramenta elétrica (perigo de ferimentos).

A seleção da barra misturadora depende do produto a misturar.

Para um produto a misturar com baixa viscosidade, como p. ex. tinta de dispersão, verniz, colas, massa de enchimento, lamas de cimento, utilize uma barra misturadora com espira esquerda. Com uma barra misturadora com espira esquerda o material movimenta-se para de cima para baixo. A barra

misturadora é pressionada para cima. O produto a misturar com baixa viscosidade é misturado quase sem salpicos.

Para produtos a misturar com elevada viscosidade, como p. ex. reboco pronto, betão, cimento, betonilha, massa de aparelhar, resina epóxi utilize uma barra misturadora com espira direita. Com uma barra misturadora com espira esquerda o material movimenta-se de baixo para cima. A barra misturadora trabalha no centro do produto a misturar. O produto a misturar com elevada viscosidade é misturado de forma ideal.

Movimente a ferramenta elétrica para cima e para baixo ao trabalhar. Limpe a barra misturadora depois de cada utilização.

- ▶ **Deposite a ferramenta elétrica num local seguro.** Certifique-se de a ferramenta não pode cair. Caso contrário é possível que a ferramenta elétrica seja danificada.

Manutenção e assistência técnica**Manutenção e limpeza**

- ▶ **Antes de todos trabalhos na ferramenta elétrica deverá puxar a ficha de rede da tomada.**
- ▶ **Manter a ferramenta elétrica e as aberturas de ventilação sempre limpas, para trabalhar bem e de forma segura.**

Se for necessário substituir o cabo de ligação, isto deverá ser realizado pela Bosch ou por um posto de assistência técnica autorizado para ferramentas elétricas Bosch para evitar riscos de segurança.

Serviço pós-venda e aconselhamento

O serviço pós-venda responde às suas perguntas a respeito de serviços de reparação e de manutenção do seu produto, assim como das peças sobressalentes. Desenhos explodidos e informações sobre peças sobressalentes encontram-se em: www.bosch-pt.com

A nossa equipa de consultores Bosch esclarece com prazer todas as suas dúvidas a respeito dos nossos produtos e acessórios.

www.powertool-portal.de, o portal de Internet para operários e aficionados da bricolage.

Indique para todas as questões e encomendas de peças sobressalentes a referência de 10 dígitos de acordo com a placa de características do produto.

Brasil

Robert Bosch Ltda. – Divisão de Ferramentas Elétricas
Caixa postal 1195 – CEP: 13065-900
Campinas – SP
Tel.: 0800 7045 446
www.bosch.com.br/contato

Angola

InvestGlobal
Parque Logístico
Estrada de Viana Km 12
Luanda

Tel.: +212 948 513 580
E-Mail: helderribeiro@investglobal-ang.com

Eliminação

Ferramentas elétricas, acessórios e embalagens devem ser enviados a uma reciclagem ecológica de matérias-primas.



Não deitar ferramentas elétricas no lixo doméstico!

Apenas para países da UE:

De acordo com a diretiva europeia 2012/19/UE para aparelhos elétricos e eletrônicos velhos, e com as respetivas realizações nas leis nacionais, as ferramentas elétricas que não servem mais para a utilização, devem ser enviadas separadamente a uma reciclagem ecológica.

中文

安全规章

电动工具通用安全警告

警告！ 阅读随电动工具提供的所有安全警告、说明、图示和规定。
不遵照以下所列说明会导致电击、着火和/或严重伤害。

保存所有警告和说明书以备查阅。

警告中的术语“电动工具”是指市电驱动（有线）电动工具或电池驱动（无线）电动工具。

工作场地的安全

- ▶ 保持工作场地清洁和明亮。杂乱和黑暗的场地会引发事故。
- ▶ 不要在易爆环境，如有易燃液体、气体或粉尘的环境下操作电动工具。电动工具产生的火花会点燃粉尘或气体。
- ▶ 操作电动工具时，远离儿童和旁观者。注意力不集中会使你失去对工具的控制。

电气安全

- ▶ 电动工具插头必须与插座相配。绝不能以任何方式改装插头。需接地的电动工具不能使用任何转换插头。未经改装的插头和相配的插座将降低电击风险。
- ▶ 避免人体接触接地表面，如管道、散热片和冰箱。如果你身体接触接地表面会增加电击风险。
- ▶ 不得将电动工具暴露在雨中或潮湿环境中。水进入电动工具将增加电击风险。
- ▶ 不得滥用软线。绝不能用软线搬运、拉动电动工具或拔出其插头。使软线远离热源、油、锐边或运动部件。受损或缠绕的软线会增加电击风险。

- ▶ 当在户外使用电动工具时，使用适合户外使用的延长线。适合户外使用的电线将降低电击风险。
- ▶ 如果无法避免在潮湿的环境中操作电动工具，应使用带有剩余电流装置（RCD）保护的电源。RCD的使用可降低电击风险。

人身安全

- ▶ 保持警觉，当操作电动工具时关注所从事的操作并保持清醒。当你感到疲倦，或在有药物、酒精或治疗反应时，不要操作电动工具。在操作电动工具时瞬间的疏忽会导致严重人身伤害。
- ▶ 使用个人防护装置。始终佩戴防护目镜。防护装置，诸如适当条件下使用防尘面具、防滑安全鞋、安全帽、听力防护等装置能减少人身伤害。
- ▶ 防止意外起动。在连接电源和/或电池包、拿起或搬运工具前确保开关处于关断位置。手指放在开关上搬运工具或开关处于接通时通电会导致危险。
- ▶ 在电动工具接通之前，拿掉所有调节钥匙或扳手。遗留在电动工具旋转零件上的扳手或钥匙会导致人身伤害。
- ▶ 手不要过分伸展。时刻注意立足点和身体平衡。这样能在意外情况下能更好地控制住电动工具。
- ▶ 着装适当。不要穿宽松衣服或佩戴饰品。让你的头发和衣服远离运动部件。宽松衣服、佩饰或长发可能会卷入运动部件。
- ▶ 如果提供了与排屑、集尘设备连接用的装置，要确保其连接完好且使用得当。使用集尘装置可降低尘屑引起的危险。
- ▶ 不要因为频繁使用工具而产生的熟悉感而掉以轻心，忽视工具的安全准则。某个粗心的动作可能在瞬间导致严重的伤害。

电动工具使用和注意事项

- ▶ 不要勉强使用电动工具，根据用途使用合适的电动工具。选用合适的按照额定值设计的电动工具会使你工作更有效、更安全。
- ▶ 如果开关不能接通或关断电源，则不能使用该电动工具。不能通过开关来控制的电动工具是危险的且必须进行修理。
- ▶ 在进行任何调节、更换附件或贮存电动工具之前，必须从电源上拔掉插头和/或卸下电池包（如可拆卸）。这种防护性的安全措施降低了电动工具意外起动的风险。
- ▶ 将闲置不用的电动工具贮存在儿童所及范围之外，并且不允许不熟悉电动工具和不了解这些说明的人操作电动工具。电动工具在未经培训的使用者手中是危险的。
- ▶ 维护电动工具及其附件。检查运动部件是否调整到位或卡住，检查零件破损情况和影响电动工具运行的其他状况。如有损坏，应在使用前修理好电动工具。许多事故是由维护不良的电动工具引发的。
- ▶ 保持切削刀具锋利和清洁。维护良好地有锋利切削刃的刀具不易卡住而且容易控制。
- ▶ 按照使用说明书，并考虑作业条件和要进行的作业来选择电动工具、附件和工具的刀头等。将电

动工具用于那些与其用途不符的操作可能会导致危险情况。

- ▶ **保持手柄和握持表面干燥、清洁，不得沾有油脂。** 在意外的情况下，湿滑的手柄不能保证握持的安全和对工具的控制。

维修

- ▶ **由专业维修人员使用相同的备件维修电动工具。** 这将保证所维修的电动工具的安全。

电钻安全警告

适用于全部操作的安全说明

- ▶ **使用辅助手柄。** 失控会导致人身伤害。
- ▶ **当在钻削附件可能触及暗线或其自身导线的场合进行操作时，要通过绝缘握持面握持工具。** 钻削附件碰到带电导线会使工具外露的金属零件带电而使操作者受到电击。

当使用长钻头时的安全说明

- ▶ **操作时切勿超出钻头的最大额定转速。** 在较高转速下，如果让钻头在不接触工件的情况下随意旋转，很可能导致其弯折，从而引发人身伤害。
- ▶ **务必以低转速开始钻孔，并让钻头尖端与工件接触。** 在较高转速下，如果让钻头在不接触工件的情况下随意旋转，很可能导致其弯折，从而引发人身伤害。
- ▶ **施压时务必与钻头成一直线，且不得施加过大压力。** 若钻头弯折会导致其损坏或失控，从而引发人身伤害。

其它安全规章

- ▶ **固定好工件。** 使用固定装置或老虎钳固定工件，会比用手持握工件更牢固。
- ▶ **当工具刀头被夹住时，请立即关闭电动工具。以防反作用力矩导致反弹。** 当电动工具过载或向待加工工件倾斜时，工具刀头就会卡住。
- ▶ **使用合适的侦测装置侦察隐藏的电线，或者向当地的相关单位寻求支援。** 接触电线可能引起火灾并让操作者触电。损坏了瓦斯管会引起爆炸。凿穿水管不仅会造成严重的财物损失，也可能导致触电。
- ▶ **等待电动工具完全静止后才能够放下机器。** 机器上的工具可能在工作中被夹住，而令您无法控制电动工具。

产品和性能说明



请阅读所有安全规章和指示。不遵照以下警告和说明可能导致电击、着火和/或严重伤害。

请注意本使用说明书开头部分的图示。

按照规定使用

GBM、TBM代表电钻，GSB、TSB代表冲击电钻。本电动工具适合在木材、金属、陶瓷和塑料上钻孔。

该电动工具专门用于搅拌粉末状的建筑材料，如砂浆、灰浆、胶粘剂以及不含溶剂的颜料、油漆和类似物质。

插图上的机件

机件的编号和电动工具详解图上的编号一致。

- (1) 齿环夹头^{A)}
- (2) 辅助手柄（绝缘握柄）
- (3) 辅助手柄螺纹
- (4) 辅助手柄（绝缘握柄）
- (5) 起停开关的锁紧键
- (6) 起停开关
- (7) 正逆转开关
- (8) 手柄（绝缘握柄）
- (9) 夹头扳手^{A)}
- (10) 齿环夹头固定螺丝

A) 图表或说明上提到的附件，并不包含在基本的供货范围中。本公司的附件清单中有完整的附件供应项目。

技术数据

电钻	GBM 1600 RE	
物品代码	3 601 AB0 0..	
额定输入功率	瓦	850
无负载转速	次/分	630
额定扭力	牛米	11
主轴颈直径	毫米	43
最大钻孔直径		
- 钢	毫米	16
- 木材	毫米	40
- 铝板	毫米	16
夹头的夹紧范围	毫米	3-16
正/逆转功能		●
最大搅拌头直径	毫米	160
重量符合	千克	3.0
EPTA-Procedure 01:2014		
保护等级		□/

所有参数适用于230伏的额定电压[U]，对于其他不同的电压和国际规格，数据有可能不同。

安装

- ▶ **在电动工具上进行所有操作之前都必须从插座上拔出电源插头。**

辅助手柄（见图片A）

- ▶ **操作电动工具时务必使用辅助手柄(2)和(4)。**

将辅助手柄(2)旋入马达箱的螺纹(3)中。

该辅助手柄(4)可无级旋转360°。

更换工具（见图片B）

- ▶ **更换刀具时，请佩戴保护手套。**长时间工作之后夹头会变得十分炽热。

带自动锁定功能的齿环夹头

旋转打开齿环夹头(1)，直至可以装入工具。
安装好工具。将夹头扳手(9)插入齿环夹头(1)相应的孔中，然后均匀拧紧工具。

更换钻夹头（见图片C）

- ▶ **在电动工具上进行所有操作之前都必须从插座上拔出电源插头。**

取出固定螺丝

齿环夹头(1)是用固定螺丝(10)固定的，这样可以防止其无意中从钻轴上松开。

完全打开齿环夹头(1)，然后沿顺时针方向拧出固定螺丝(10)。注意，固定螺丝为左螺纹。

固定住固定螺丝(10)，将螺丝起子机放到螺丝头上，通过敲击螺丝起子手柄来松开固定螺丝。

拆卸夹头

为拆卸齿环夹头(1)，将开口扳手(SW 17)放置在驱动轴的螺母上。

用一只手握住齿环夹头，用另一只手逆时针方向旋转开口扳手，直到夹头从钻轴锥上松开为止。

安装夹头

- ▶ **保持钻轴的锥形销和夹头钻孔无油脂和脏污。**

为安装齿环夹头(1)，将驱动轴上的螺母顺时针方向旋转直至极限位置。

将齿环夹头插入至驱动轴上，直到其固定为止，在此期间不得过度用力。

使用橡皮锤轻轻地敲击齿环夹头(1)的正面，以保证齿环夹头牢固固定。同时注意齿环夹头的夹爪不要凸出，以免受损。

安装固定螺丝

将固定螺丝(10)逆时针方向旋入至打开的齿环夹头中。每次都必须使用一个新固定螺丝，因为其螺纹上涂有防松胶，反复使用会失效。

抽吸粉尘/切屑

含铅的颜料以及某些木材、矿物和金属的加工废尘有害健康。机器操作者或者工地附近的人如果接触、吸入这些废尘，可能会有过敏反应或者感染呼吸道疾病。

某些尘埃（例如加工橡木或山毛榉的废尘）可能致癌，特别是和处理木材的添加剂（例如木材的防腐剂等）结合之后。只有经过专业训练的人才能够加工含石棉的物料。

- 工作场所要保持空气流通。
- 最好佩戴P2滤网等级的口罩。

请留心并遵守贵国和加工物料有关的法规。

- ▶ **避免让工作场所堆积过多的尘垢。**尘埃容易被点燃。

运行

投入使用

- ▶ **注意电源电压！**电源的电压必须和电动工具铭牌上标示的电压一致。标记为230伏电动工具用220伏的电压可以驱动。

调整旋转方向（见图片D）

通过正逆转开关(7)可以更改电动工具的旋转方向。按下起停开关(6)后无法更改。

正转：要钻孔或搅拌时，向左按下正逆转开关(7)直至极限位置。

逆转：要松开或搅拌时，向右按下正逆转开关(7)直至极限位置。

接通/关闭

将电动工具投入使用时按压起停开关(6)并按住。

如需**锁定**被按住的起停开关(6)，请按压锁定键(5)。

如需**关闭**电动工具，请松开起停开关(6)，如果其已被锁定键(5)锁住，请短促按压起停开关(6)，然后再次松开。

调整转速

根据按压起停开关(6)的程度，可以无级调节已接通的电动工具的转速。

轻按起停开关(6)，转速低。逐渐在开关上加压，转速也会跟着提高。

钻孔操作提示

为了避免钻头过热或被夹住，可以使用钻削用乳化液或切割油来冷却和润滑。

钻孔直径超过10毫米时，必须预钻一个孔径较小的孔。这样能够减轻施加在机器上的压力，以及电动工具的负荷。

在金属上钻孔时，仅可使用锋利的HSS钻头（HSS=高速钢）。在博世的附件产品系列中，有符合这个品质等级的产品。

机器台钳作为附件购买，能够牢牢地夹住工件。它可以避免工件扭转，从而防止事故发生。

搅拌操作提示

- ▶ **不可以把电动工具放在支架中使用。**
- ▶ **避免搅拌物溅出。**否则会使操作者滑倒并失去对电动工具的控制。
- ▶ **避免以低转速持续运行电动工具。**否则电动工具的电机过热。

要松开锁定按钮(5)，先短时按住开关按钮(6)，然后松开。这样可以防止电动工具无意中重新启动（受伤风险）。

根据搅拌物选择搅拌头。

对于低粘度的搅拌物（如乳胶漆、油漆、胶粘剂、灌浆料和水泥浆），使用带左螺旋的搅拌头。在带左螺旋的搅拌头中从上至下输送材料。将搅拌头向上推。这样低粘度搅拌物在混合时会极少溅出。

对于高粘度的搅拌物（如预拌石膏、混凝土、水泥、砂浆、灌浆料和环氧树脂），使用带右螺旋的搅拌头。在带右螺旋的搅拌头中从下至上输送材

料。搅拌头伸入至混合物中。这样高粘度搅拌物得到最佳的混合。

操作时来回地移动电动工具。使用后清洁搅拌头。

- ▶ **将电动工具储存在安全的地方。** 确保不会翻倒。否则可能会损坏电动工具。

维修和服务

维护和清洁

- ▶ **在电动工具上进行所有操作之前都必须从插座上拔出电源插头。**
- ▶ **电动工具和通气孔必须随时保持清洁，以确保工作效率和工作安全。**

如果必须更换连接线，务必把这项工作交给博世或者经授权的博世电动工具顾客服务执行，以避免危害机器的安全性能。

客户服务和应用咨询

本公司顾客服务处负责回答有关本公司产品的修理、维护和备件的问题。备件的分解图和信息也可查看：www.bosch-pt.com

博世应用咨询团队乐于就我们的产品及其附件问题提供帮助。

www.powertool-portal.de，适合工匠和DIY者的互联网门户网站。

如需查询和订购备件，请务必提供产品型号铭牌上的10位数货号。

香港和澳门特别行政区

罗伯特博世有限公司
香港北角英皇道625号，
21楼

客户服务热线：+852 2101 0235

传真：+852 2590 9762

电子邮件：info@hk.bosch.com

www.bosch-pt.com.hk

中国大陆

博世电动工具（中国）有限公司，中国浙江省杭州市
滨江区滨康路567号

102/1F服务中心

邮政编码：310052

电话：(0571) 8887 5566 / 5588

传真：(0571) 8887 6688 x 5566# / 5588#

电邮：bsc.hz@cn.bosch.com

中华人民共和国

中国大陆

博世电动工具（中国）有限公司

博世服务中心

中国浙江省杭州市

滨江区

滨康路567号，

310052

电话：(0571) 8887 5566 / 5588

传真：(0571) 8887 6688 x 5566# / 5588#

电子邮件：bsc.hz@cn.bosch.com

www.bosch-pt.com.cn

处理废弃物

必须以符合环保要求的方式回收再利用电动工具、附件和包装材料。



请勿将电动工具扔到生活垃圾中！

仅适用于欧盟国家：

根据废旧电气和电子设备欧洲指令2012/19/EU和转化的国家法律，必须将无法再使用的电动工具分开收集并以符合环保的方式回收再利用。

繁體中文

安全注意事項

電動工具一般安全注意事項

▲ 警告

請詳讀工作臺及電動工具的所有安全警告與使用說明。若不

遵照以下列出的指示，將可能導致電擊、著火和/或人員重傷。

保存所有警告和說明書以備查閱。

在所有警告中，「電動工具」此一名詞泛指：以市電驅動的（有線）電動工具或是以電池驅動的（無線）電動工具。

工作場地的安全

- ▶ **保持工作場地清潔和明亮。** 混亂和黑暗的場地會引發事故。
- ▶ **不要在易爆環境，如有易燃液體、氣體或粉塵的環境下操作電動工具。** 電動工具產生的火花會點燃粉塵或氣體。
- ▶ **讓兒童和旁觀者離開後操作電動工具。** 注意力不集中會使您失去對工具的控制。

電氣安全

- ▶ **電動工具插頭必須與插座相配。** 絕不能以任何方式改裝插頭。需接地的電動工具不能使用任何轉換插頭。未經改裝的插頭和相配的插座將減少電擊危險。
- ▶ **避免人體接觸接地表面，如管道、散熱片和冰箱。** 如果您身體接地會增加電擊危險。
- ▶ **不得將電動工具暴露在雨中或潮濕環境中。** 水進入電動工具將增加電擊危險。
- ▶ **不得濫用電線。** 絕不能用電線搬運、拉動電動工具或拔出其插頭。使電線遠離熱源、油、銳利邊緣或移動零件。受損或纏繞的軟線會增加電擊危險。
- ▶ **當在戶外使用電動工具時，使用適合戶外使用的延長線。** 適合戶外使用的軟線，將減少電擊危險。

- ▶ 如果在潮濕環境下操作電動工具是不可避免的，應使用剩餘電流動作保護器（RCD）。使用RCD可降低電擊危險。

人身安全

- ▶ 保持警覺，當操作電動工具時關注所從事的操作並保持清醒。當您感到疲倦，或在有藥物、酒精或治療反應時，不要操作電動工具。在操作電動工具時瞬間的疏忽會導致嚴重人身傷害。
- ▶ 使用個人防護裝置。始終佩戴護目鏡。安全裝置，諸如適當條件下使用防塵面具、防滑安全鞋、安全帽、聽力防護等裝置能減少人身傷害。
- ▶ 防止意外起動。確保開關在連接電源和/或電池盒、拿起或搬運工具時處於關閉位置。手指放在已接通電源的開關上或開關處於接通時插入插頭可能會導致危險。
- ▶ 在電動工具接通之前，拿掉所有調節鑰匙或扳手。遺留在電動工具旋轉零件上的扳手或鑰匙會導致人身傷害。
- ▶ 手不要伸展得太長。時刻注意立足點和身體平衡。這樣在意外情況下能很好地控制電動工具。
- ▶ 著裝適當。不要穿寬鬆衣服或佩戴飾品。讓您的衣物及頭髮遠離運動部件。寬鬆衣服、佩飾或長髮可能會捲入運動部件中。
- ▶ 如果提供了與排屑、集塵設備連接用的裝置，要確保他們連接完好且使用得當。使用這些裝置可減少塵屑引起的危險。
- ▶ 切勿因經常使用工具所累積的熟練感而過度自信，輕忽工具的安全守則。任何一個魯莽的舉動都可能瞬間造成人員重傷。

電動工具使用和注意事項

- ▶ 不要濫用電動工具，根據用途使用適當的電動工具。選用適當設計的電動工具會使您工作更有效、更安全。
- ▶ 如果開關不能開啟或關閉工具電源，則不能使用該電動工具。不能用開關來控制的電動工具是危險的且必須進行修理。
- ▶ 在進行任何調整、更換配件或貯存電動工具之前，必須從電源上拔掉插頭並/或取出電池盒。這種防護性措施將減少工具意外起動的危險。
- ▶ 將閒置不用的電動工具貯存在兒童所及範圍之外，並且不要讓不熟悉電動工具或對這些說明不瞭解的人操作電動工具。電動工具在未經培訓的用戶手中是危險的。
- ▶ 保養電動工具與配備。檢查運動部件是否調整到位或卡住，檢查零件破損情況和影響電動工具運行的其他狀況。如有損壞，電動工具應在使用前修理好。許多事故由維護不良的電動工具引發。
- ▶ 保持切割刀具鋒利和清潔。保養良好的有鋒利切削刃的刀具不易卡住而且容易控制。
- ▶ 按照使用說明書，考慮作業條件和進行的作業來使用電動工具、配件和工具的刀頭等。將電動工具用於那些與其用途不符的操作可能會導致危險。
- ▶ 把手及握持區應保持乾燥、潔淨，且不得沾染任何油液或油脂。易滑脫的把手及握持區將無法讓您在發生意外狀況時安全地抓緊並控制工具。

檢修

- ▶ 將您的電動工具送交專業維修人員，必須使用同樣的備件進行更換。這樣將確保所維修的電動工具的安全性。

鑽孔的安全警告

所有作業的安全說明

- ▶ 請使用工具的輔助把手（若有配備）。失去控制可能會造成人員受傷。
- ▶ 進行作業時，負責進行切割的配件可能會碰觸到隱藏的配線或電動工具的電線，請從絕緣握把處拿持電動工具。負責進行切割的配件若是觸及「導電」電線，可能導致電動工具外露的金屬部件「導電」，進而使操作人員遭受電擊。

使用長鑽頭的安全說明

- ▶ 切勿以超過鑽頭額定最高轉速的速度操作。若鑽頭未接觸工件且以超過最高轉速的速度無負載轉動，可能會讓鑽頭彎曲並導致人員受傷。
- ▶ 請務必以低速啟動並將鑽尖確實抵住工件。若鑽頭未接觸工件且以超過最高轉速的速度無負載轉動，可能會讓鑽頭彎曲並導致人員受傷。
- ▶ 請沿著鑽頭方向施加適當的壓力，切勿過度施壓。鑽頭可能會彎曲並造成斷裂、失控並導致人員受傷。

其他安全注意事項

- ▶ 固定好工件。使用固定裝置或老虎鉗固定工件，會比用手持握工件更牢固。
- ▶ 如果嵌件工具被夾住了，請立刻關閉電動工具的電源。請準備好承受反作用力所造成的反彈。電動工具過載時或當它在進行加工的工件內部歪斜時，都會造成嵌件工具被夾住不動。
- ▶ 使用合適的偵測裝置偵察隱藏的電線，或者向當地的相關單位尋求支援。接觸電線可能引起火災並讓操作者觸電。若損壞瓦斯管會引起爆炸。鑿穿水管不僅會造成嚴重的財物損失，也可能導致觸電。
- ▶ 必須等待電動工具完全靜止後才能將它放下。嵌件工具可能卡住而使電動工具失控。

產品和功率描述



請詳讀所有安全注意事項和指示。如未遵守安全注意事項與指示，可能導致火災、人員遭受電擊及/或重傷。請留意操作說明書中最前面的圖示。

依規定使用機器

本電動工具可以在木材、金屬、陶瓷和塑膠上鑽孔。

電動工具適合用於拌合粉狀建材，例如水泥壘料、石膏、黏著劑，以及不含溶劑成份的油漆、表面塗料與其他類似東西。

插圖上的機件

機件的編號和電動工具詳解圖上的編號一致。

- (1) 齒環式夾頭^{A)}
- (2) 輔助手柄 (絕緣握柄)
- (3) 輔助手柄專用螺紋孔
- (4) 輔助手柄 (絕緣握柄)
- (5) 起停開關的鎖止按鍵
- (6) 起停開關
- (7) 正逆轉開關
- (8) 把手 (絕緣握柄)
- (9) 夾頭扳手^{A)}
- (10) 齒環夾頭上的防鬆螺栓

A) 圖表或說明上提到的配件，並不包含在基本的供貨範圍中。本公司的配件清單中有完整的配件供應項目。

技術性數據

電鑽		GBM 1600 RE
零件編號		3 601 AB0 0..
額定輸入功率	瓦	850
無負載轉速	次 / 分	630
額定扭力	牛頓米	11
主軸頭直徑	毫米	43
最大鑽孔直徑		
- 鋼	毫米	16
- 木材	毫米	40
- 鋁板	毫米	16
夾頭的夾緊範圍	毫米	3-16
正逆轉功能		●
攪拌槳最大直徑	毫米	160
重量符合	公斤	3.0
EPTA-Procedure 01:2014		
絕緣等級		□/

本說明書提供的參數是以 230 伏特為依據，於低電壓地區，此數據有可能不同。

安裝

- ▶ 維修電動工具或換裝零、配件之前，務必從插座上拔出插頭。

輔助手柄 (請參考圖 A)

- ▶ 操作電動工具時務必使用輔助手柄 (2) 與 (4)。請將輔助手柄 (2) 旋入馬達機體上的螺紋孔 (3) 內。此輔助手柄 (4) 可無段式 360° 旋轉。

更換工具 (請參考圖 B)

- ▶ 更換工具時請戴上防護手套。長時間操作之後夾頭溫度會變得非常高。

可自動上鎖的齒環式夾頭

透過旋轉方式，將齒環式夾頭 (1) 打開至能夠裝入工具為止。

裝入工具。將夾頭扳手 (9) 插入齒環式夾頭 (1) 的對應孔，然後均力地將工具夾緊。

更換夾頭 (請參考圖 C)

- ▶ 維修電動工具或換裝零、配件之前，務必從插座上拔出插頭。

取出防鬆螺栓

為防止齒環式夾頭 (1) 意外從工具機轉軸上鬆脫，該夾頭加裝了一個防鬆螺栓 (10) 用以固定位置。請完全張開齒環式夾頭 (1) 然後沿順時針方向將防鬆螺栓 (10) 旋出。**注意：此類防鬆螺栓為左旋螺紋。**

如果防鬆螺栓 (10) 卡死不動，請拿螺絲起子抵在螺栓頭上，然後敲擊螺絲起子的握把以便鬆開防鬆螺栓。

拆卸夾頭

若要拆下齒環式夾頭 (1)，請將開口扳手 (SW 17) 抵住驅動主軸上的螺母。

一隻手固定住齒環式夾頭，另一隻手逆時針旋轉開口扳手，直到夾頭從工具機轉軸的圓錐頭上鬆開。

安裝夾頭

- ▶ 工具機轉軸的錐體處以及夾頭的開孔請隨時保持無油無髒污的狀態。

若要安裝齒環式夾頭 (1)，請將驅動主軸上的螺母順時針轉到底。

將齒環式夾頭輕輕套在驅動主軸上，過程中不可用力，直到其卡上。

拿一把橡膠榔頭輕輕敲齒環式夾頭 (1) 前端，可確保齒環式夾頭固定牢靠。此時請注意，齒環式夾頭的夾爪不可突出來，這樣夾頭才不會損壞。

裝上防鬆螺栓

將防鬆螺栓 (10) 逆時針旋入至張開的齒環式夾頭裡。防鬆螺栓的螺紋孔上塗有固定黏膠，重複使用後便失去應有的黏性，因此請您務必每次換新該螺栓。

吸除廢塵 / 料屑

含鉛的顏料及部分木材、礦物和金屬的加工廢塵有害健康。機器操作者或者工地附近的人如果接觸、吸入這些廢塵，可能會有過敏反應或者感染呼吸道疾病。

特定粉塵 (例如加工橡木或山毛櫸的廢塵) 可能致癆，特別是與處理木材的添加劑 (例如木材的防腐劑等) 混合之後。只有經過專業訓練的人才允許加工含石棉的物料。

- 工作場所要保持空氣流通。
- 建議佩戴 P2 濾網等級的口罩。

請留意並遵守貴國與加工物料有關的法規。

- ▶ 避免讓工作場所堆積過多的塵垢。塵埃容易被點燃。

操作

操作機器

- ▶ **請注意電源電壓！** 電源的電壓必須和電動工具銘牌上標示的電壓一致。標示為 230 V 的電動工具亦可接上 220 V 電源。

調整旋轉方向（請參考圖 D）

透過正逆轉開關 (7) 即可變更電動工具的旋轉方向。但按下起停開關 (6) 時，將無法這樣做。

正轉：若要鑽孔或攪拌，請將正逆轉開關 (7) 往左推到底。

逆轉：若要把鑽頭退出鬆開或攪拌，請將正逆轉開關 (7) 往右推到底。

啟動／關閉

按下電源開關 (6) 不要放開，即可讓電動工具持續運轉。

若要讓起停開關 (6) 保持在壓下狀態，請按壓鎖止按鍵 (5)。

若要關閉電動工具，請直接放開起停開關 (6) 即可，或者您若有使用鎖止按鍵 (5)，則請在起停開關 (6) 上短按一下後放開。

調整轉速

您可為已啟動的電動工具無段調控轉速，轉速是由按壓起停開關 (6) 的深度而定。

輕按起停開關 (6) 時，轉速較低。逐漸在開關上加壓，轉速也會跟著提高。

鑽孔作業注意事項

為了避免鑽頭過熱或被夾住，可以使用鑽削用乳化液或切削油來冷卻和潤滑。

鑽孔直徑超過 10 mm 時，必須預鑽一個孔徑較小的孔。這樣能夠減輕施加在機器上的壓力，以及電動工具的負荷。

在金屬上鑽孔時，僅能使用完好的銳利 HSS 鑽頭（HSS = 高速鋼）。選用博世原廠的配件產品，即可確保符合此品質等級。

虎鉗屬於配件，能夠牢牢地夾住工件。它可以避免工件滑動，並能夠防止因為工件走滑而發生的意外。

攪拌作業注意事項

- ▶ **不可以把電動工具安裝在立架上操作。**
- ▶ **避免攪拌混合物四處噴濺。** 否則您可能因滑倒，而無法再控制電動工具。
- ▶ **請避免本電動工具長時間低速運轉。** 否則電動工具的馬達可能會過熱。

若欲解開鎖止按鍵 (5)，請按一下起停開關 (6) 後隨即放開。此項設計是為了防止電動工具意外重新啟動（人員有受傷之虞）。

攪拌槳的選用取決於攪拌混合物種類。

低黏度的攪拌混合物（例如乳膠漆、表面塗料、黏著劑、灌漿料、水泥漿），請使用左螺旋攪拌槳。左螺旋攪拌槳內的攪拌料會由上往下帶。攪拌槳被

往上推。本電動工具加工低黏度攪拌混合物時少有噴濺情形。

高黏度的攪拌混合物（例如飾面石膏、混凝土、水泥、樓板鋪面、填縫泥、環氧樹脂），請使用右螺旋攪拌槳。右螺旋攪拌槳內的攪拌料會由下往上帶。攪拌槳應深入混合物中才能正確發揮功能。本電動工具加工高黏度攪拌混合物時，可達到充份混合效果。

作業時，請將電動工具上下來回移動。使用後請清洗攪拌槳。

- ▶ **請將本電動工具存放在安全的地方。** 請注意，該工具不可傾倒。否則可能造成電動工具損壞。

維修和服務

維修和清潔

- ▶ **維修電動工具或換裝零、配件之前，務必從插座上拔出插頭。**

- ▶ **電動工具和通風口都必須保持清潔，這樣才能夠提高工作品質和安全性。**

如果必須更換連接線，請務必交由博世或者經授權的博世電動工具顧客服務執行，以避免危害機器的安全性能。

顧客服務處和顧客諮詢中心

本公司顧客服務處負責回答有關本公司產品的維修、維護和備用零件的問題。如需分解圖和備件的資料，請至以下網頁：www.bosch-pt.com

若對本公司產品及其配件有任何疑問，博世應用諮詢小組很樂意為您提供協助。

工匠與 DIY 玩家網路平台入口：www.powertool-portal.de

當您需要諮詢或訂購備用零件時，請務必提供本產品銘牌上的 10 位零件編號。

台灣

台灣羅伯特博世股份有限公司

建國北路一段90號6樓

台北市10491

電話：(02) 2515 5388

傳真：(02) 2516 1176

www.bosch-pt.com.tw

製造商地址：

Robert Bosch Power Tools GmbH

羅伯特·博世電動工具有限公司

70538 Stuttgart / GERMANY

70538 斯圖加特 / 德國

廢棄物處理

必須以符合環保的方式，回收再利用損壞的機器、配件和廢棄的包裝材料。



不可以把電動工具丟入一般的家庭垃圾中。

備適用於歐盟國家:

依據歐盟的廢電器電子設備指令 2012/19/EU 及其落實在各國當地的法令條文，無法再繼續使用的電動工具必須分別收集起來，然後遵照環保相關法規進行資源回收。

한국어

안전 수칙

전동공구 일반 안전 수칙

경고 본 전동공구와 함께 제공된 모든 안전경고, 지시사항, 그림 및 사양을 숙지하십시오. 다음의 지시 사항을 준수하지 않으면 감전, 화재, 또는 심각한 부상을 초래할 수 있습니다.

앞으로 참고할 수 있도록 이 안전수칙과 사용 설명서를 잘 보관하십시오.

다음에서 사용되는 "전동공구"라는 개념은 전원에 연결하여 사용하는 (전선이 있는) 전동 기기나 배터리를 사용하는 (전선이 없는) 전동 기기를 의미합니다.

작업장 안전

- ▶ **작업장을 항상 깨끗이 하고 조명을 밝게 하십시오.** 작업장 환경이 어수선하거나 어두우면 사고를 초래할 수 있습니다.
- ▶ **가연성 유체, 가스 또는 분진이 있어 폭발 위험이 있는 환경에서 전동공구를 사용하지 마십시오.** 전동공구는 분진이나 증기에 점화하는 스파크를 일으킬 수 있습니다.
- ▶ **전동공구를 사용할 때 구경꾼이나 어린이 혹은 다른 사람이 작업장에 접근하지 못하게 하십시오.** 다른 사람이 주의를 산만하게 하면 기기에 대한 통제력을 잃기 쉽습니다.

전기에 관한 안전

- ▶ **전동공구의 전원 플러그가 전원 콘센트에 잘 맞아야 합니다.** 플러그를 절대 변경시켜서는 안 됩니다. (접지된) 전동공구를 사용할 때 어댑터 플러그를 사용하지 마십시오. 변형되지 않은 플러그와 잘 맞는 콘센트를 사용하면 감전의 위험을 줄일 수 있습니다.
- ▶ **파이프 관, 라디에이터, 레인지, 냉장고와 같은 접지 표면에 물이 닿지 않도록 하십시오.** 몸에 닿을 경우 감전될 위험이 높습니다.
- ▶ **전동공구를 비에 맞지 않게 하고 습기 있는 곳에 두지 마십시오.** 전동공구에 물이 들어가면 감전될 위험이 높습니다.
- ▶ **전원 코드를 잘못 사용하는 일이 없도록 하십시오.** 전원 코드를 잡고 전동공구를 운반해서는 안 되며, 콘센트에서 전원 플러그를 뽑을 때 전원 코드를 잡

아 당겨서는 절대로 안 됩니다. 전원 코드가 열과 오일에 접촉하는 것을 피하고, 날카로운 모서리나 기기의 가동 부위에 닿지 않도록 주의하십시오. 손상되거나 영킨 전원 코드는 감전을 유발할 수 있습니다.

- ▶ **실외에서 전동공구로 작업할 때는 실외용으로 적당한 연장 전원 코드만을 사용하십시오.** 실외용 연장 전원 코드를 사용하면 감전의 위험을 줄일 수 있습니다.
- ▶ **전동공구를 습기 찬 곳에서 사용해야 할 경우에는 누전 차단기를 사용하십시오.** 누전 차단기를 사용하면 감전 위험을 줄일 수 있습니다.

사용자 안전

- ▶ **신중하게 작업하며, 전동공구를 사용할 때 경솔하게 행동하지 마십시오.** 피로한 상태이거나 약물 복용 및 음주한 후에는 전동공구를 사용하지 마십시오. 전동공구를 사용할 때 잠시라도 주의가 산만해지면 중상을 입을 수 있습니다.
- ▶ **작업자 안전을 위한 장치를 사용하십시오.** 항상 보호 안경을 착용하십시오. 전동공구의 종류와 사용에 따라 먼지 보호 마스크, 미끄러지지 않는 안전화, 안전모 또는 귀마개 등의 안전한 복장을 하면 상해의 위험을 줄일 수 있습니다.
- ▶ **실수로 기기가 작동되지 않도록 주의하십시오.** 전동공구를 전원에 연결하거나 배터리를 끼우기 전에, 혹은 기기를 들거나 운반하기 전에, 전원 스위치가 꺼져 있는지 다시 확인하십시오. 전동공구를 운반할 때 전원 스위치에 손가락을 대거나 전원 스위치가 켜진 상태에서 전원을 연결하면 사고 위험이 높습니다.
- ▶ **전동공구를 사용하기 전에 조절하는 돌이나 키 등을 빼 놓으십시오.** 회전하는 부위에 있는 돌이나 키 등으로 인해 상처를 입을 수 있습니다.
- ▶ **자신을 과신하지 마십시오.** 불안정한 자세를 피하고 항상 평형을 이룬 상태로 작업하십시오. 안정된 자세와 평형한 상태로 작업해야만이 의외의 상황에서도 전동공구를 안전하게 사용할 수 있습니다.
- ▶ **말뚝은 작업복을 입으십시오.** 헐렁한 복장을 하거나 장신구를 착용하지 마십시오. 머리카락이 가동하는 기기 부위에 가까이 닿지 않도록 주의하십시오. 헐렁한 복장, 장신구 혹은 긴 머리카락은 가동 부위에 말려 사고를 초래할 수 있습니다.
- ▶ **분진 추출장치나 수거장치의 조립이 가능한 경우, 이 장치가 연결되어 있는지, 제대로 작동이 되는지 확인하십시오.** 이러한 분진 추출장치를 사용하면 분진으로 인한 사고 위험을 줄일 수 있습니다.
- ▶ **툴을 자주 사용한다고 해서 안주하는 일이 없게 하고 공구의 안전 수칙을 무시하지 않도록 하십시오.** 부주의하게 취급하여 순간적으로 심각한 부상을 입을 수 있습니다.

전동공구의 올바른 사용과 취급

- ▶ **기기를 과부하 상태에서 사용하지 마십시오.** 작업할 때 이에 적당한 전동공구를 사용하십시오. 알맞은 전동공구를 사용하면 지정된 성능 한도 내에서 더 효율적으로 안전하게 작업할 수 있습니다.

- ▶ **전원 스위치가 고장 난 전동공구를 사용하지 마십시오.** 전원 스위치가 작동되지 않는 전동공구는 위험하므로, 반드시 수리를 해야 합니다.
- ▶ **전동공구를 조정하거나 액세서리 부품 교환 혹은 공구를 보관할 때, 항상 전원 콘센트에서 플러그를 미리 빼어 놓거나 배터리를 분리하십시오.** 이러한 조치는 실수로 전동공구가 작동하게 되는 것을 예방합니다.
- ▶ **사용하지 않는 전동공구는 어린이 손이 닿지 않는 곳에 보관하고, 전동공구 사용에 익숙지 않거나 이 사용 설명서를 읽지 않은 사람은 기기를 사용해서는 안됩니다.** 경험이 없는 사람이 전동공구를 사용하면 위험합니다.
- ▶ **전동공구 및 액세서리를 조심스럽게 관리하십시오.** 가동 부위가 하자 없이 정상적인 기능을 하는지, 걸리는 부위가 있는지, 혹은 전동공구의 기능에 중요한 부품이 손상되지 않았는지 확인하십시오. 손상된 기기의 부품은 전동공구를 다시 사용하기 전에 반드시 수리를 맡기십시오. 제대로 관리하지 않은 전동공구의 경우 많은 사고를 유발합니다.
- ▶ **절단 공구를 날카롭고 깨끗하게 관리하십시오.** 날카로운 절단면이 있고 잘 관리된 절단공구는 걸리는 경우가 드물고 조절하기도 쉽습니다.
- ▶ **전동공구, 액세서리, 장착하는 공구 등을 사용할 때, 이 지시 사항과 특별히 기종 별로 나와있는 사용 방법을 준수하십시오.** 이때 작업 조건과 실시하려는 작업 내용을 고려하십시오. 원래 사용 분야가 아닌 다른 작업에 전동공구를 사용할 경우 위험한 상황을 초래할 수 있습니다.
- ▶ **손잡이 및 잡는 면을 건조하게 유지하고, 오일 및 그리스가 묻어 있지 않도록 깨끗하게 하십시오.** 손잡이 또는 잡는 면이 미끄러우면 예상치 못한 상황에서 안전환 취급 및 제어가 어려워집니다.

서비스

- ▶ **전동공구 수리는 반드시 전문 인력에게 맡기고, 수리 정비 시 보쉬 순정 부품만을 사용하십시오.** 그렇게 함으로써 기기의 안전성을 오래 유지할 수 있습니다.

드릴 작업에 대한 안전 경고사항

모든 작업에 대한 안전 수칙

- ▶ **공구에 보조 손잡이가 함께 공급된 경우, 보조 손잡이를 사용하십시오.** 통제력을 상실하면 부상을 입을 수 있습니다.
- ▶ **절단용 액세서리가 숨겨진 배선 또는 코드를 접촉할 가능성이 있는 작업을 수행할 경우, 전동공구의 절연된 손잡이 면만 잡으십시오.** 절단용 액세서리가 "전류가 흐르는" 전선에 접촉되면, 전동공구의 노출된 금속 부품에 "전류가 흐르는" 상태로 만들어 작업자가 감전될 수 있습니다.

긴 드릴 비트를 사용할 경우 안전 수칙

- ▶ **절대 드릴 비트의 최대 정격 속도를 초과한 고속에서 작업하지 마십시오.** 고속으로 작업할 경우, 비트가 구부러져 가공물에 닿지 않은 상태에서도 회전하면서 부상을 입을 수 있습니다.

- ▶ **드릴링 시에는 항상 낮은 속도에서 작업을 시작하여 비트의 끝이 가공물에 닿도록 하십시오.** 고속으로 작업할 경우, 비트가 구부러져 가공물에 닿지 않은 상태에서도 회전하면서 부상을 입을 수 있습니다.
- ▶ **비트가 작동하는 부분에만 압력을 가하고 과도한 압력을 주지 마십시오.** 비트가 구부러져 파손되거나 통제력을 잃어 부상을 입을 수 있습니다.

추가 안전 경고사항

- ▶ **작업물을 잘 고정하십시오.** 고정장치나 기계 바이스에 끼워서 작업하면 손으로 잡는 것보다 더 안전합니다.
- ▶ **틀 출더에 끼워진 비트가 물리면 즉시 전동공구 스위치를 끄십시오.** 반동을 유발할 수 있는 강한 반동력이 생길 수 있습니다. 전동공구가 과부하된 상태이거나 또는 작업하려는 소재에 걸렸을 경우 비트가 물립니다.
- ▶ **보이지 않는 부위에 에너지 배선 및 배관 여부를 확인하려면 적당한 탐지기를 사용하거나 담당 전력 공급회사에 문의하십시오.** 전선에 접하게 되면 화재나 전기 충격을 야기할 수 있습니다. 가스관을 손상시키면 폭발 위험이 있습니다. 수도관을 파손하게 되면 재산 피해를 유발하거나 전기 충격을 야기할 수 있습니다.
- ▶ **전동공구를 내려놓기 전에 기기가 완전히 멈추었는지 확인하십시오.** 삽입공구가 걸리거나 전동공구에 대한 통제가 어려워질 수 있습니다.

제품 및 성능 설명



모든 안전 수칙과 지침을 숙지하십시오. 다음의 안전 수칙과 지침을 준수하지 않으면 화재 위험이 있으며 감전 혹은 중상을 입을 수 있습니다.

사용 설명서 앞 부분에 제시된 그림을 확인하십시오.

규정에 따른 사용

본 전동공구는 목재나 금속 세라믹 그리고 플라스틱에 드릴 작업을 하는 데 사용해야 합니다.

본 전동공구는 모르타르, 회반죽, 접착제 등 가루 형태의 건자재 및 용매가 함유되지 않은 에멀전 페인트, 페인트 및 이와 유사한 물질을 섞기 위한 용도로 개발되었습니다.

제품의 주요 명칭

제품의 주요 명칭에 표기되어 있는 번호는 기기 그림이 나와있는 면을 참고하십시오.

- (1) 키타입 드릴 척^(A)
- (2) 보조 손잡이(절연된 손잡이 부위)
- (3) 보조 손잡이용 나사산
- (4) 보조 손잡이(절연된 손잡이 부위)
- (5) 전원 스위치 잠금 버튼
- (6) 전원 스위치
- (7) 회전방향 선택 스위치

- (8) 손잡이(절연된 손잡이 부위)
 (9) 드릴 척 키^{A)}
 (10) 키 타입 드릴 척 안전 나사
 A) 도면이나 설명서에 나와있는 액세스리는 표준 공급부품에 속하지 않습니다. 전체 액세스리는 저희 액세스리 프로그램을 참고하십시오.

제품 사양

드릴 머신	GBM 1600 RE	
제품 번호	3 601 AB0 0..	
소비 전력	W	850
무부하 속도	rpm	630
정격 토크	Nm	11
스핀들 칼라 직경	mm	43
최대 드릴 직경		
- 철재	mm	16
- 목재	mm	40
- 알루미늄	mm	16
드릴 척 클램핑 범위	mm	3-16
우측/좌측 회전		●
교반기 최대 직경	mm	160
EPTA-Procedure 01:2014에 따른 중량	kg	3.0
보호 등급		□/

자료는 정격 전압 [U] 230V를 기준으로 한 것입니다. 전압이 다른 경우 및 국가별 사양에 따라 변동이 있을 수 있습니다.

조립

- ▶ **전동공구를 보수 정비하기 전에 반드시 콘센트에서 전원 플러그를 빼십시오.**

보조 손잡이(그림 A 참조)

- ▶ **본 전동공구는 보조 손잡이(2) 및 (4)를 잡은 상태에서만 사용하십시오.**

보조 손잡이 (2)를 모터 하우징의 나사산 (3)에 끼워 체결하십시오.

보조 손잡이 (4)는 자유롭게 360° 회전 가능합니다.

공구 교환(그림 B 참조)

- ▶ **공구 교체 시 보호장갑을 착용하십시오.** 장시간 작업을 하면 드릴 척이 과열될 수 있습니다.

자동 잠금 장치가 달린 키 타입 드릴 척

공구가 삽입될 때까지 키 타입 드릴 척 (1)을 돌려 푸십시오.

비트를 끼우십시오. 드릴 척 키 (9)를 키 타입 드릴 척 (1)의 해당 구멍에 끼우고 공구를 균일하게 조이십시오.

드릴 척 교체하기 (그림 C 참고)

- ▶ **전동공구를 보수 정비하기 전에 반드시 콘센트에서 전원 플러그를 빼십시오.**

안전 나사 빼기

키 타입 드릴 척 (1)은 드릴 스펀들이 의도치 않게 풀리는 것을 방지하기 위해 안전 나사 (10)로 고정되어 있습니다.

키 타입 드릴 척 (1)을 완전히 풀고 안전 나사 (10)를 시계방향으로 돌리십시오. **안전 나사가 좌나사임에 유의하십시오.**

안전 나사 (10)가 꼭 끼워져 있으면 드라이버를 나사의 헤드에 대고 드라이버 손잡이를 돌려 안전 나사를 풀어 줍니다.

드릴 척 분해하기

키 타입 드릴 척 (1)을 분리하려면 렌치(SW 17)를 구동 스펀들의 너트에 올려 놓으십시오.

키 타입 드릴 척을 한 손으로 꼭 잡고 드릴 척이 드릴 스펀들 테이퍼에서 풀릴 때까지 다른 손으로 렌치를 시계 반대방향으로 돌리십시오.

드릴 척 조립하기

- ▶ **드릴 스펀들의 곡면을 잡고 드릴 척의 구멍에 그리스 및 오염물질이 남아 있지 않도록 하십시오.**

키 타입 드릴 척 (1)을 조립하려면 구동 스펀들의 너트를 스톱위치까지 시계방향으로 돌리십시오.

키 타입 드릴 척이 구동 스펀들에 잘 안착될 때까지 힘을 뺀 상태로 끼우십시오.

고무 해머를 이용하여 키 타입 드릴 척 (1)의 전면을 두들기면서 키 타입 드릴 척이 안전하게 안착될 수 있게 하십시오. 키 타입 드릴 척의 클램핑 조가 들출되어 키 타입 드릴 척이 손상되지 않도록 유의하십시오.

안전 나사 조립하기

안전 나사 (10)를 시계 반대방향 키 타입 드릴 척이 열리는 방향으로 돌리십시오. 나사산에 도포된 고정 접합제는 여러번 사용할 경우 그 효력이 떨어지므로 그때마다 새로운 안전 나사를 사용하십시오.

분진 및 톱밥 추출장치

납 성분을 포함한 페인트나 몇몇 나무 종류, 또는 광물 성분 그리고 철과 같은 재료의 분진은 건강을 해칠 수 있습니다. 이 분진을 만지거나 호흡할 경우, 사용자나 주변 사람들은 알레르기 반응이나 호흡기 장애를 일으킬 수 있습니다.

떡갈나무나 너도밤나무와 같은 특정한 분진은 암을 유발시키며, 특히 목재 처리용으로 사용되는 부가 원료(크로마트, 목재 보호제)와 혼합되면 암을 유발시키게 됩니다. 석면 성분을 포함한 재료는 오직 전문가가 작업을 해야 합니다.

- 작업장의 통풍이 잘 되도록 하십시오.
- 필터등급 P2에 해당되는 호흡 마스크를 사용하십시오.

작업용 재료에 관해 국가가 지정한 규정을 고려하십시오.

- ▶ **작업장에 분진이 쌓이지 않도록 하십시오.** 분진이 쉽게 발화할 수 있습니다.

작동

기계 시동

- ▶ **전원의 전압에 유의하십시오! 공급되는 전원의 전압은 전동공구의 명판에 표기된 전압과 동일해야 합니다. 230V로 표시된 전동공구는 220V에서도 작동이 가능합니다.**

회전방향 설정하기(그림 D 참조)

회전방향 선택 스위치 (7)를 이용해 전동공구의 회전 방향을 변경할 수 있습니다. 전원 스위치 (6)가 눌린 상태에서는 변경할 수 없습니다.

우회전: 드릴 작업 또는 교반 작업을 하려면 회전방향 선택 스위치 (7)를 좌측 스톱위치 끝까지 누르십시오.

좌회전: 풀기 또는 교반 작업을 하려면 회전방향 선택 스위치 (7)를 우측 스톱위치 끝까지 누르십시오.

전원 스위치 작동

전동공구를 작동하려면 전원 스위치 (6)를 누르고 누른 상태를 유지하십시오.

눌린 상태의 전원 스위치 (6)를 잠금 상태로 유지하려면 잠금 버튼 (5)을 누릅니다.

전동공구의 스위치를 끄려면 전원 스위치 (6)에서 손을 떼거나 잠금 버튼 (5)을 눌러 잠긴 상태인 경우에는 전원 스위치 (6)를 잠깐 눌렀다가 다시 놓습니다.

속도 조절

전원 스위치 (6)를 밀어 이동시키는 만큼 전원이 켜진 전동공구의 회전속도를 조절할 수 있습니다.

전원 스위치 (6)를 약간만 밀면 속도가 낮아집니다. 세게 누르면 속도가 빨라집니다.

드릴 작업 지침

냉각 및 윤활을 위해 수용성 절삭유 또는 절삭유를 사용하여 드릴이 과열되거나 고착되는 일을 방지하십시오.

드릴 직경이 10mm를 넘을 경우 작은 드릴 직경으로 사전 작업을 진행하십시오. 그러면 뚫는 압력을 줄이고 전동공구의 부담을 줄일 수 있습니다.

금속에 드릴 작업을 할 경우에는 항상 하자가 없는 날 카로운 HSS 드릴 비트(HSS = 하이 스피드 스틸)만 사용하십시오. 보쉬 액세서리 프로그램은 이에 상응하는 품질을 보증합니다.

액세서리로 제공되는 기계 바이스를 사용하면 작업물을 보다 안전하게 고정할 수 있습니다. 이를 통해 작업물이 돌아가거나 이로 인한 사고를 방지할 수 있습니다.

교반 작업 지침

- ▶ 스탠더에서 본 전동공구를 사용하지 마십시오.
- ▶ 혼합물이 분사되지 않도록 하십시오. 그렇지 않을 경우 미끄러지면서 전동공구에 대한 통제력을 잃을 수도 있습니다.
- ▶ 본 전동공구를 낮은 속도로 오랫동안 작동하지 마십시오. 전동공구의 모터가 과열될 수 있습니다.

잠금 버튼 (5)을 해제하려면, 전원 스위치 (6)를 잠금 동안 눌렀다가 손을 떼십시오. 이렇게 하여 전동공구

가 의도치 않게 다시 작동되는 것을 막을 수 있습니다 (부상 위험).

교반기 선택은 혼합물의 종류에 따라 달라집니다.

에멀션 페인트, 페인트, 접착제, 씰링 컴파운드, 시멘트 슬러리 등과 같은 점도가 낮은 혼합물의 경우 좌측 나선형 구조의 교반기를 사용하십시오. 좌측 나선형 구조의 교반기는 자재를 위쪽에서 아래쪽으로 운반합니다. 교반기는 위쪽으로 밀립니다. 점도가 낮은 혼합물은 거의 분사되지 않은 상태로 혼합됩니다.

레미탈, 콘크리트, 시멘트, 스크리드, 필링 컴파운드, 에폭시 수지 등의 점도가 높은 혼합물의 경우 우측 나선형 구조의 교반기를 사용하십시오. 우측 나선형 구조의 교반기는 자재를 아래쪽에서 위쪽으로 운반합니다. 혼합물이 교반기에 붙은 상태로 작업이 이루어 집니다. 점도가 높은 혼합물이 가장 잘 섞입니다.

작업 시 전동공구를 위아래로 움직이십시오. 사용 후 교반기를 세척하십시오.

- ▶ 전동공구를 안전한 위치에 두십시오. 전동공구가 넘어지지 않도록 주의하십시오. 그렇게 하지 않으면 전동공구가 손상될 수 있습니다.

보수 정비 및 서비스

보수 정비 및 유지

- ▶ 전동공구를 보수 정비하기 전에 반드시 콘센트에서 전원 플러그를 빼십시오.

- ▶ 안전하고 올바른 작동을 위하여 전동공구와 전동공구의 동종공구를 항상 깨끗이 하십시오.

연결 코드를 교환해야 할 경우 안전을 기하기 위해 보쉬사나 보쉬 지정 전동공구 서비스 센터에 맡겨야 합니다.

AS 센터 및 사용 문의

AS 센터에서는 귀하 제품의 수리 및 보수정비, 그리고 부품에 관한 문의를 받고 있습니다. 대체 부품에 관한 분해 조립도 및 정보는 인터넷에서도 찾아 볼 수 있습니다 - www.bosch-pt.com

보쉬 사용 문의 팀에서는 보쉬의 제품 및 해당 액세서리에 관한 질문에 기꺼이 답변드릴 것입니다. 전문 작업자 및 개인 작업자를 위한 인터넷 포털 www.powertool-portal.de도 참조할 수 있습니다.

문의나 대체 부품 주문 시에는 반드시 제품 네임 플레이트에 있는 10자리의 부품번호를 알려 주십시오.

콜센터
080-955-0909

처리

기기와 액세서리 및 포장 등은 환경 친화적인 방법으로 재생할 수 있도록 분류하십시오.



전동공구를 가정용 쓰레기로 처리하지 마십시오!

오직 EU 국가에만 해당:

전기장치 및 전자장치 노후기기에 관한 유럽 가이드 라인 2012/19/EU 및 국가별 해당 법에 따라 더 이상 사

용 불가능한 진공청소기는 별도로 수거하여 환경보
호 규정에 따라 재활용해야 합니다.

ไทย

คำเตือนเพื่อความปลอดภัย

คำเตือนเพื่อความปลอดภัยทั่วไปสำหรับเครื่องมือไฟฟ้า

คำเตือน อ่านคำเตือนเพื่อความปลอดภัย คำแนะนำ ภาพประกอบ และข้อมูลจำเพาะทั้งหมดที่จัดส่งมาพร้อมกับเครื่องมือไฟฟ้า การไม่ปฏิบัติตามคำแนะนำทั้งหมดที่ระบุไว้ด้านล่างนี้อาจทำให้ถูกไฟฟ้าดูด เกิดไฟไหม้ และ/หรือได้รับบาดเจ็บอย่างรุนแรง

เก็บรักษาคำเตือนและคำสั่งทั้งหมดสำหรับเปิดอ่านในภายหลัง

คำว่า "เครื่องมือไฟฟ้า" ในคำเตือนหมายถึง เครื่องมือไฟฟ้าของทานที่ทำงานด้วยพลังงานไฟฟ้าจากแหล่งจ่ายไฟหลัก (มีสายไฟฟ้า) และเครื่องมือไฟฟ้าที่ทำงานด้วยพลังงานไฟฟ้าจากแบตเตอรี่ (ไร้สาย)

ความปลอดภัยในสถานที่ทำงาน

- ▶ **รักษาสถานที่ทำงานให้สะอาดและมีไฟส่องสว่างดี** สถานที่ที่มีมืดหรือรุงรังนำมาซึ่งอุบัติเหตุ
- ▶ **อย่าใช้เครื่องมือไฟฟ้าทำงานในสภาพบรรยากาศที่จุดติดไฟได้ เช่น ในที่ที่มีของเหลวไวไฟ ก๊าซ หรือฝุ่น** เมื่อใช้เครื่องมือไฟฟ้าจะเกิดประกายไฟซึ่งอาจจุดฝุ่นหรือไอให้ลุกเป็นไฟได้
- ▶ **ขณะใช้เครื่องมือไฟฟ้าทำงาน ต้องกั้นเด็กและผู้ยี่นดูให้ออกห่าง** การหันเหความสนใจอาจทำให้ท่านขาดการควบคุมเครื่องไว้

ความปลอดภัยเกี่ยวกับไฟฟ้า

- ▶ **ปลั๊กของเครื่องมือไฟฟ้าต้องเหมาะสมพอดีกับเต้าเสียบ** อย่าตัดแปลงปลั๊กไม่ว่าในลักษณะใดๆ อย่างเด็ดขาด อย่าใช้ปลั๊กพ่วงต่อใดๆ กับเครื่องมือไฟฟ้าที่มีสายดิน ปลั๊กที่ไม่ตัดแปลงและเต้าเสียบที่เข้ากันช่วยลดความเสี่ยงจากการถูกไฟฟ้าดูด
- ▶ **หลีกเลี่ยงอย่าให้ร่างกายสัมผัสกับพื้นผิวที่ต่อสายดินหรือลงกราวด์ไว้ เช่น ท่อ เครื่องทำความร้อน เตา และตู้เย็น** จะเสี่ยงอันตรายจากการถูกไฟฟ้าดูดมาก ขึ้นหากกระแสไฟวิ่งผ่านร่างกายของท่านลงดิน
- ▶ **อย่าให้เครื่องมือไฟฟ้าถูกฝนหรืออยู่ในสภาพเปียกชื้น** หากนำเข้าไปในเครื่องมือไฟฟ้า จะเพิ่มความเสี่ยงจากการถูกไฟฟ้าดูด
- ▶ **อย่าใช้สายไฟฟ้าในทางที่ผิด** อย่าใช้สายไฟฟ้าเพื่อยก ding หรือถอดปลั๊กเครื่องมือไฟฟ้า กั้นสายไฟที่ออกห่างจากความร้อน น้ำมัน ขอบแหลมคม หรือชิ้นส่วนที่

เคลื่อนที่ สายไฟฟ้าที่ชำรุดหรือพันกันยุ่งเพิ่มความเสียหายจากการถูกไฟฟ้าดูด

- ▶ **เมื่อใช้เครื่องมือไฟฟ้าทำงานกลางแจ้ง ให้ใช้สายไฟต่อที่เหมาะสมสำหรับการใช้งานกลางแจ้ง** การใช้สายไฟต่อที่เหมาะสมสำหรับงานกลางแจ้งช่วยลดอันตรายจากการถูกไฟฟ้าดูด
- ▶ **หากไม่สามารถหลีกเลี่ยงการใช้เครื่องมือไฟฟ้าทำงานในสถานที่เปียกชื้นได้ ให้ใช้สวิทช์ตัดวงจรเมื่อเกิดการรั่วไหลของไฟฟ้าจากสายดิน (RCD)** การใช้สวิทช์ตัดวงจรเมื่อเกิดการรั่วไหลของไฟฟ้าจากสายดินช่วยลดความเสี่ยงต่อการถูกไฟฟ้าดูด

ความปลอดภัยของบุคคล

- ▶ **ท่านต้องอยู่ในสภาพเตรียมพร้อม ระมัดระวังในสิ่งที่ท่านกำลังทำอยู่ และมีสติขณะใช้เครื่องมือไฟฟ้าทำงาน** อย่าใช้เครื่องมือไฟฟ้าขณะที่ท่านกำลังเหนื่อย หรืออยู่ภายใต้การครอบงำของฤทธิ์ของยาเสพติด แอลกอฮอล์ และยา เมื่อใช้เครื่องมือไฟฟ้าทำงานในชั่วโมงที่ท่านขาดความเอาใจใส่อาจทำให้บุคคลบาดเจ็บอย่างรุนแรงได้
- ▶ **ใช้อุปกรณ์ปกป้องร่างกาย สวมแว่นตาป้องกันเสมอ** อุปกรณ์ปกป้อง เช่น หมวกกันน็อก ร่องเทากันลื่น หมวกกันชน หรือประภทกันเสียงดังที่ใช่ตามความเหมาะสมกับสภาพการทำงาน จะลดการบาดเจ็บทางร่างกาย
- ▶ **ป้องกันการใช้เครื่องมือโดยไม่ตั้งใจ ตรวจสอบให้แน่ใจว่าสวิทช์อยู่ในตำแหน่งปิดก่อนเชื่อมต่อเข้ากับแหล่งจ่ายไฟ และ/หรือแบตเตอรี่แพ็ค ยกหรือถือเครื่องมือการถือเครื่องมือโดยใช้นิ้วหัวที่สวิทช์ หรือเสียบปลั๊กไฟฟ้าขณะสวิทช์เปิดอยู่ อาจนำไปสู่อุบัติเหตุที่ร้ายแรงได้**
- ▶ **นำเครื่องมือปรับแต่งหรือประแจปากตายออกก่อนเปิดสวิทช์เครื่องมือไฟฟ้า** เครื่องมือหรือประแจปากตายที่วางอยู่กับส่วนของเครื่องที่กำลังหมุนจะทำให้บุคคลบาดเจ็บได้
- ▶ **อย่าเอื้อมไกลเกินไป ตั้งท้ายที่นั่งคนและวางน้ำหนักให้สมดุลตลอดเวลา** ในลักษณะนี้ท่านสามารถควบคุมเครื่องมือไฟฟ้าในสถานการณ์ที่ไม่คาดคิดได้ดีกว่า
- ▶ **แต่งกายอย่างเหมาะสม** อย่าใส่เสื้อผ้าหลวมหรือสวมเครื่องประดับ เาผมและเสื้อผ้าออกจากชิ้นส่วนที่เคลื่อนที่ เสื้อผ้าหลวม เครื่องประดับ และผมยาวอาจเข้าไปติดในชิ้นส่วนที่เคลื่อนที่
- ▶ **หากเครื่องมือไฟฟ้ามีข้อเชื่อมต่อกับเครื่องดูดฝุ่นหรือเครื่องเก็บผง ให้ตรวจสอบให้แน่ใจว่าได้เชื่อมต่อและใช้งานอย่างถูกต้อง** การใช้อุปกรณ์ดูดฝุ่นช่วยลดอันตรายที่เกิดจากฝุ่นได้
- ▶ **เมื่อใช้งานเครื่องบ่อยครั้งจะเกิดความคุ้นเคย** อย่าให้ความคุ้นเคยทำให้ท่านเกิดความชะล่าใจและละเลยกฎเกณฑ์ด้านความปลอดภัยในการใช้งานเครื่อง การทำงานอย่างไม่ระมัดระวังอาจทำให้เกิดการบาดเจ็บอย่างรุนแรงภายในเสี้ยววินาที

การใช้และการดูแลรักษาเครื่องมือไฟฟ้า

- ▶ **อย่างฝืนกำลังเครื่องมือไฟฟ้า** ใช้เครื่องมือไฟฟ้าที่ถูกต้องตรงตามลักษณะงานของท่าน เครื่องมือไฟฟ้าที่ถูกต้องจะทำงานได้ดีกว่าและปลอดภัยกว่าในระดับสมรรถภาพที่ออกแบบไว้

- ▶ **อย่าใช้เครื่องมือไฟฟ้าถ้าสวิทช์ไม่สามารถเปิดปิดได้**
เครื่องมือไฟฟ้าที่ไม่สามารถควบคุมการเปิดปิดด้วยสวิทช์ได้ เป็นเครื่องมือไฟฟ้าที่ไม่ปลอดภัยและต้องส่งซ่อมแซม
- ▶ **ก่อนปรับแต่งเครื่อง เปลี่ยนอุปกรณ์ประกอบ หรือเก็บเครื่องเข้าที่ ต้องถอดปลั๊กออกจากแหล่งจ่ายไฟ และ/หรือถอดแบตเตอรี่แพ็คเกจออกจากเครื่องมือไฟฟ้าหากถอดออกได้**
มาตรการป้องกันเพื่อความปลอดภัยนี้ช่วยลดความเสี่ยงจากการติดเครื่องโดยไม่ตั้งใจ
- ▶ **เมื่อเลิกใช้งานเครื่องมือไฟฟ้า ให้เก็บเครื่องมือในที่เด็กหยิบไม่ถึง และไมอนุญาตให้บุคคลที่ไม่คุ้นเคยกับเครื่องหรือบุคคลที่ไม่ได้อ่านคำแนะนำเหล่านี้ใช้เครื่องมือไฟฟ้าเป็นของอันตรายหากตกอยู่ในมือของผู้ใช้ที่ไม่ได้รับการฝึกฝน**
- ▶ **บำรุงรักษาเครื่องมือไฟฟ้าและอุปกรณ์ประกอบ ตรวจสอบชิ้นส่วนที่เคลื่อนที่วาวไม่ตรงแนวหรือติดขัดหรือไม่ตรงหากการแตกหักของชิ้นส่วนและสภาพอื่นใดที่อาจมีผลต่อการทำงานของเครื่องมือไฟฟ้า หากชำรุดต้องส่งเครื่องมือไฟฟ้าไปซ่อมแซมก่อนใช้งาน**
อุบัติเหตุหลายอย่างเกิดขึ้นเนื่องจากดูแลรักษาเครื่องไม่ดีพอ
- ▶ **รักษาเครื่องมือตัดให้คมและสะอาด**
หากบำรุงรักษาเครื่องมือที่มีขอบตัดแหลมคมอย่างถูกต้องจะสามารถตัดได้ลื่นไม่ติดขัดและควบคุมได้ง่ายกว่า
- ▶ **ใช้เครื่องมือไฟฟ้า อุปกรณ์ประกอบ เครื่องมือ และอุปกรณ์อื่นๆ ตรงตามคำแนะนำเหล่านี้ โดยคำนึงถึงเงื่อนไขการทำงานและงานที่จะทำ** การใช้เครื่องมือไฟฟ้าทำงานที่ต่างไปจากวัตถุประสงค์การใช้งานของเครื่อง อาจนำไปสู่สถานการณ์ที่เป็นอันตรายได้
- ▶ **ดูแลด้ามจับและพื้นผิวจับให้แห้ง สะอาด และปราศจากคราบน้ำมันและจาระบี** ตามด้ามจับและพื้นผิวจับที่ลื่นทำให้หยิบจับได้ไม่ปลอดภัยและไม่สามารถควบคุมเครื่องมือในสถานการณ์ที่ไม่คาดคิด

การบริการ

- ▶ **ส่งเครื่องมือไฟฟ้าของท่านเข้ารับบริการจากช่างซ่อมที่มีคุณสมบัติเหมาะสม โดยใช้ช่องไหลที่เหมือนกันเท่านั้น** ในลักษณะนี้ท่านจะแน่ใจได้ว่าเครื่องมือไฟฟ้าอยู่ในสภาพที่ปลอดภัย

คำเตือนเพื่อความปลอดภัยสำหรับส่วน

คำเตือนเพื่อความปลอดภัยสำหรับการทำงานทั้งหมด

- ▶ **ใช้ด้ามจับเพิ่มหากจัดส่งมาพร้อมกับเครื่อง** การสูญเสียการควบคุมอาจทำให้บุคคลได้รับบาดเจ็บ
- ▶ **เมื่อทำงานในบริเวณที่อุปกรณ์ตัดอาจสัมผัสสายไฟฟ้าที่ซ่อนอยู่หรือสายไฟฟ้าของตัวเครื่องเอง ต้องจับเครื่องมือไฟฟ้าตรงพื้นผิวจับที่หุ้มฉนวน** หากเครื่องมือตัดสัมผัสสายที่ "มีกระแสไฟฟ้า" ไหลผ่าน จะทำให้ชิ้นส่วนโลหะที่ไม่ได้หุ้มฉนวนของเครื่องมือไฟฟ้าเกิด "มีกระแสไฟฟ้า" ด้วย และส่งผลให้ใช้งานเครื่องถูกไฟฟ้าดูดได้

คำเตือนเพื่อความปลอดภัยเมื่อใช้ดอกสว่านยาว

- ▶ **อย่าทำงานด้วยความเร็วที่สูงกว่าอัตราความเร็วสูงสุดของดอกสว่าน** ที่ความเร็วที่สูงกว่า ดอกสว่านอาจโค้งงอ

เมื่อปล่อยให้หมุนอย่างอิสระโดยไม่สัมผัสชิ้นงาน และส่งผลให้ได้รับบาดเจ็บทางร่างกาย

- ▶ **เริ่มต้นเจาะด้วยความเร็วต่ำและให้ปลายดอกสว่านสัมผัสชิ้นงานเสมอ** ที่ความเร็วที่สูงกว่า ดอกสว่านอาจโค้งงอเมื่อปล่อยให้หมุนอย่างอิสระโดยไม่สัมผัสชิ้นงาน และส่งผลให้ได้รับบาดเจ็บทางร่างกาย
- ▶ **ใช้แรงกดให้ตรงกับแนวดอกสว่านเท่านั้นและอย่าใช้แรงกดมากเกินไป** ดอกสว่านอาจโค้งงอทำให้แตกหักหรือสูญเสียการควบคุม และส่งผลให้ได้รับบาดเจ็บทางร่างกาย

คำแนะนำเพื่อความปลอดภัยเพิ่มเติม

- ▶ **ยึดชิ้นงานให้แน่น** การยึดชิ้นงานด้วยเครื่องมือหนีบหรือแท่นจับจะมั่นคงกว่าการยึดด้วยมือ
- ▶ **ปิดสวิทช์เครื่องมือไฟฟ้าทันทีหากเครื่องมือติดขัด ให้เตรียมพร้อมสำหรับปฏิกิริยาแรงบิดสูงซึ่งเป็นเหตุให้เกิดการตีกลับ** เครื่องมือจะติดขัดเมื่อเครื่องมือไฟฟ้าถูกใช้งานเกินกำลังหรือเครื่องมือถูกบีบอัดอยู่ในชิ้นงาน
- ▶ **ใช้เครื่องตรวจจับที่เหมาะสมเพื่อตรวจหาสายไฟฟ้าหรือท่อสาธารณูปโภคที่อาจซ่อนอยู่ในบริเวณทำงานหรือติดต่อบริษัทสาธารณูปโภคในพื้นที่เพื่อขอความช่วยเหลือ** การสัมผัสกับสายไฟฟ้าอาจทำให้เกิดไฟไหม้หรือถูกไฟฟ้าดูด การทำให้ออกฤทธิ์เสียหายอาจทำให้เกิดระเบิด การเจาะเขาในท่อน้ำทำให้ทรัพย์สินเสียหาย หรืออาจเป็นเหตุให้ถูกไฟฟ้าดูดได้
- ▶ **รอให้เครื่องมือไฟฟ้าหยุดสนิทก่อนวางเครื่องลงบนพื้น** เครื่องมือที่ใส่อยู่อาจติดขัดและทำให้สูญเสียการควบคุมเครื่องมือไฟฟ้า

รายละเอียดผลิตภัณฑ์และข้อมูลจำเพาะ



อ่านคำเตือนเพื่อความปลอดภัยและคำแนะนำทั้งหมด การไม่ปฏิบัติตามคำเตือนและคำสั่งอาจเป็นสาเหตุให้ถูกไฟฟ้าดูด เกิดไฟไหม้และ/หรือได้รับบาดเจ็บอย่างร้ายแรง
กรุณาดูภาพประกอบในสวมนาของคู่มือการใช้งาน

ประโยชน์การใช้งานของเครื่อง

เครื่องมือไฟฟ้านี้ใช้สำหรับเจาะไม้ โลหะ เซรามิก และพลาสติก
เครื่องมือไฟฟ้านี้ใช้สำหรับกวนผสมวัสดุก่อสร้างที่เป็นผง เช่น มอร์ตาร์ ปูนฉาบ กาว รวมทั้งสี แล็กเกอร์ที่ไม่มีตัวทำละลายและสารอื่นๆ ที่คล้ายคลึงกัน

ส่วนประกอบผลิตภัณฑ์

ลำดับเลขของส่วนประกอบผลิตภัณฑ์อ้างอิงถึงส่วนประกอบของเครื่องที่แสดงในหน้าภาพประกอบ

- (1) หัวจับดอกชนิดมีเฟืองใน^{A)}
- (2) ด้ามจับเพิ่ม (พื้นผิวจับหุ้มฉนวน)
- (3) รูเกลียวสำหรับด้ามจับเพิ่ม
- (4) ด้ามจับเพิ่ม (พื้นผิวจับหุ้มฉนวน)
- (5) ปุ่มล๊อคให้สวิทช์เปิด-ปิดทำงาน
- (6) สวิทช์เปิด-ปิด
- (7) สวิทช์เปลี่ยนทิศทางการหมุน

- (8) ดำจับ (พื้นผิวจับหุ้มฉนวน)
 (9) ประแจหัวจับดอก^{A)}
 (10) สกรูยึดสำหรับหัวจับดอกชนิดมีเฟืองใน
- A) อุปกรณ์ประกอบที่แสดงภาพหรืออธิบายไม่รวมอยู่ในการจัดส่งมาตรฐาน
 กรุณาดูอุปกรณ์ประกอบทั้งหมดในรายการแสดงอุปกรณ์ประกอบของเรา

ข้อมูลทางเทคนิค

สว่านไฟฟ้า		GBM 1600 RE
หมายเลขสินค้า		3 601 AB0 0..
กำลังไฟฟ้าเข้ากำหนด	วัตต์	850
ความเร็วรอบเดินตัวเปล่า	รอบ/นาที	630
แรงบิดกำหนด	นิวตันเมตร	11
เส้นผ่าศูนย์กลางปลอกเพลลา	มม.	43
Ø-การเจาะ		
- เหล็ก	มม.	16
- ไม้	มม.	40
- อะลูมิเนียม	มม.	16
วงหนีบหัวจับดอก	มม.	3-16
การหมุนซ้าย/ขวา		●
เส้นผ่าศูนย์กลางหัวตะกร้อสูงสุด	มม.	160
น้ำหนักตามระเบียบการ	กก.	3.0
มาตรฐานตามระเบียบการ		EPTA-Procedure 01:2014
ระดับความปลอดภัย		☐/

ค่าที่ให้ไว้ใช้ได้กับแรงดันไฟฟ้าอนินวล [U] 230 โวลต์คาเลลา
 นี้อาจเปลี่ยนแปลงไปสำหรับแรงดันไฟฟ้าที่แตกต่างกัน
 และโมเดลที่ผลิตสำหรับเฉพาะประเทศ

การติดตั้ง

- **ดึงปลั๊กไฟออกจากเต้าเสียบก่อนปรับแต่งเครื่อง**

ด้ามจับเพิ่ม (ดูภาพประกอบ A)

- **ต้องใช้เครื่องมือไฟฟ้าของท่านร่วมกับด้ามจับเพิ่ม (2) และ (4) เสมอ**

ขันด้ามจับเพิ่ม (2) ลงในเกลียว (3) บนตัวเรือนมอเตอร์
 ท่านสามารถหมุนตามจับเพิ่ม (4) ได้ 360° อย่างต่อเนื่อง

การเปลี่ยนเครื่องมือ (ดูภาพประกอบ B)

- **สวมถุงมือป้องกันอันตรายเมื่อเปลี่ยนเครื่องมือ หัวจับดอกจะร่อนจัดขึ้นได้เมื่อใช้เครื่องทำงานนานๆ**

หัวจับดอกชนิดมีเฟืองในที่มีล็อคอัตโนมัติ

เปิดหัวจับดอกชนิดมีเฟืองใน (1) โดยหมุนจนสามารถใส่เครื่องมือได้

ใส่เครื่องมือเข้าสอดประแจหัวจับดอก (9) เข้าในรูที่สอดคล้องกับบนหัวจับดอกชนิดมีเฟืองใน (1) และหนีบเครื่องมือเข้าเท่าๆ กัน

การเปลี่ยนหัวจับดอก (ดูภาพประกอบ C)

- **ดึงปลั๊กไฟออกจากเต้าเสียบก่อนปรับแต่งเครื่อง**

การถอดสกรูยึด

หัวจับดอกชนิดมีเฟืองใน (1) ถูกยึดด้วยสกรูล็อค (10) เพื่อกันไม่ให้หลุดออกจากเพลลาส่วนโดยไม่ได้ตั้งใจ

เปิดหัวจับดอกชนิดมีเฟืองใน (1) ออกจนสุด และหมุนสกรูยึด (10) ออกในทิศทางตามเข็มนาฬิกา **โปรดทราบว่าสกรูล็อคเป็นสกรูเกลียวซ้าย**

หากสกรูยึด (10) ติดแน่น ให้วางไขควงที่หัวสกรู และคลายสกรูยึดออกโดยเคาะที่ตามจับไขควง

การถอดหัวจับดอก

เมื่อต้องการถอดหัวจับดอกชนิดมีเฟืองใน (1) ออก ให้วางประแจปากตาย (ขนาด 17 มม.) ที่นอนบนเพลลาซ้าย
 ใช้มือข้างหนึ่งจับหัวจับดอกชนิดมีเฟืองในไว้ให้แน่น และใช้มืออีกข้างหนึ่งหมุนประแจปากตายในทิศทางทวนเข็มนาฬิกาจนหัวจับดอกหลุดออกจากแกนสว่านแบบเทพเปอร์

การติดตั้งหัวจับดอก

- **รักษาแกนสว่านแบบเทพเปอร์และรูของหัวจับดอกให้สะอาดปราศจากไขมันและสิ่งสกปรก**

เมื่อต้องการติดตั้งหัวจับดอกชนิดมีเฟืองใน (1) ให้หมุนน็อตบนเพลลาซ้ายในทิศทางตามเข็มนาฬิกาไปจนสุด

เสียบหัวจับดอกชนิดมีเฟืองในเข้าบนเพลลาซ้ายจนเข้าที่อย่างแน่นหนาโดยไม่ตอมงไขกำลังแรง

ใช้คอนยางเคาะเบาๆ บนด้านหน้าของหัวจับดอกชนิดมีเฟืองใน (1) เพื่อให้หัวจับดอกชนิดมีเฟืองในเข้าที่อย่างแน่นหนา ตรวจสอบให้แน่ใจว่าก้ามหนีบของหัวจับดอกชนิดมีเฟืองในไม่ยื่นออกมาเพื่อจะดีไม่เกิดความเสียหาย

การประกอบสกรูยึด

ขันสกรูยึด (10) ในทิศทางทวนเข็มนาฬิกาเข้าในหัวจับดอกชนิดมีเฟืองในที่เปิดอยู่ ใช้สกรูยึดตัวใหม่ทุกครั้งเพราะที่เกลียวได้ฉาบนำยาล็อคไว้ซึ่งจะสูญเสียประสิทธิภาพหลังใช้งานหลายครั้ง

การดูแล/ขีเสื้อย

ฝุ่นที่ได้จากวัสดุ เช่น เคลือบผิวที่มีสารตะกั่ว ไม้บางประเภท เรซิ่น และโลหะ อาจเป็นอันตรายต่อสุขภาพ การสัมผัสหรือการหายใจเอาฝุ่นเข้าไปอาจทำให้เกิดปฏิกิริยาแพ้ ฝุ่น และ/หรือน้ำมาซึ่งโรคติดเชื้อระบบหายใจแก่ผู้ใช้เครื่องหรือผู้ที่ยืนอยู่ใกล้เคียง

ฝุ่นบางประเภท เช่น ฝุ่นไม้โอ๊ก หรือไม้บีช นับเป็นสารที่ทำให้เกิดมะเร็ง โดยเฉพาะอย่างยิ่งเมื่อผสมกับสารเติมแต่งเพื่อบำบัดไม้ (โครเมต ผลิตภัณฑ์รักษาเนื้อไม้) สำหรับวัสดุที่มีแอสเบสทอสตองใหญ่เชี่ยวชาญทำงานเท่านั้น

- จัดสถานที่ทำงานให้มีการระบายอากาศที่ดี
- ขอแนะนำให้สวมหน้ากากป้องกันการติดเชื้อที่มีระดับ-ใส่กรอง P2

ปฏิบัติตามกฎข้อบังคับสำคัญอื่นๆ ที่เกี่ยวกับวัสดุชิ้นงานที่บังคับใช้ในประเทศของท่าน

- **ป้องกันการสะสมของฝุ่นในสถานที่ทำงาน**
 ฝุ่นสามารถถูกใหม่อย่างง่ายดาย

การปฏิบัติงาน

การเริ่มต้นปฏิบัติงาน

- ▶ ให้สังเกตแรงดันไฟฟ้า! แรงดันไฟฟ้าจากแหล่งจ่ายไฟฟ้าต้องมีค่าตรงกับค่าแรงดันไฟฟ้าที่ระบุไว้บนแผ่นป้ายที่ติดเครื่อง เครื่องมือไฟฟ้าที่มีเครื่องหมาย 230 โวลท์ สามารถใช้งานกับ 220 โวลท์ ได้ด้วย

การตั้งทิศทางการหมุน (ดูภาพประกอบ D)

ท่านสามารถเปลี่ยนทิศทางการหมุนของเครื่องมือไฟฟ้าได้ด้วยสวิตช์เปลี่ยนทิศทางการหมุน (7) อย่างไรก็ตาม หากสวิตช์เปิด-ปิด (6) ถูกกดอยู่ จะกลับทิศทางการหมุนไม่ได้

การหมุนทางขวา: สำหรับการเจาะหรือการกวนผสม ให้ตั้งสวิตช์เปลี่ยนทิศทางการหมุน (7) ไปทางซ้ายจนสุด

การหมุนทางซ้าย: สำหรับการคลายหรือการกวนผสม ให้ตั้งสวิตช์เปลี่ยนทิศทางการหมุน (7) ไปทางขวาจนสุด

การเปิด-ปิดเครื่อง

สตาร์ทเครื่องมือไฟฟ้าโดยกดสวิตช์เปิด-ปิด (6) และกดค้างไว้

ล็อคสวิตช์เปิด-ปิด (6) ที่กดค้างไว้โดยกดปุ่มล็อค (5)

ปิดเครื่องโดยปล่อยนิ้วจากสวิตช์เปิด-ปิด (6) หรือในกรณีที่ถูกล็อคด้วยปุ่มล็อค (5) อยู่ ให้กดสวิตช์เปิด-ปิด (6) ลื่นๆ และปล่อยนิ้ว

การปรับความเร็วรอบ

ท่านสามารถปรับความเร็วรอบของเครื่องมือไฟฟ้าที่เปิดสวิตช์อยู่ได้อย่างต่อเนื่องตามแรงกดมากน้อยบนสวิตช์เปิด-ปิด (6) การกดสวิตช์เปิด-ปิด (6) เบาจะให้ความเร็วรอบต่ำ การกดสวิตช์แรงยิ่งขึ้นจะให้ความเร็วรอบสูงขึ้น

คำแนะนำสำหรับการเจาะ

เพื่อไม่ให้เกิดความร้อนมากเกินไปหรือไม่ให้ดอกสว่านถูกบีบอัด ให้ใช้สารหล่อลื่นการเจาะหรือน้ำมันหล่อเย็นเพื่อระบายความร้อนและหล่อลื่น

เมื่อต้องการเจาะรูที่มีเส้นผ่าศูนย์กลาง > 10 มม. ให้เจาะรูนำที่มีเส้นผ่าศูนย์กลางขนาดเล็กก่อน ในลักษณะนี้ท่านสามารถลดแรงกดป้อนและเครื่องมือไฟฟ้าจะไม่ถูกใช้งานหนักเกินไป ให้ใช้เฉพาะดอกสว่าน HSS (HSS = high-speed steel) ที่ลับคมอย่างดีสำหรับเจาะโลหะ โปรแกรมน์อุปกรณ์ประกอบ-บอช รับประกันคุณภาพที่เหมาะสม

ปากกาจับชิ้นงาน ซึ่งมีให้เลือกซื้อเป็นอุปกรณ์ประกอบ ช่วยให้สามารถยึดหนีบชิ้นงานได้อย่างปลอดภัย อุปกรณ์นี้ช่วยป้องกันไม่ให้ชิ้นงานหมุนไปมาและป้องกันอุบัติเหตุที่อาจเกิดขึ้น

คำแนะนำสำหรับการกวนผสม

- ▶ อย่าใช้เครื่องมือไฟฟ้าโดยยึดไว้ในแขนจับ
- ▶ หลีกเลี่ยงอย่าให้ของเหลวผสมสาดกระเด็น มิฉะนั้นท่านอาจลื่นไถลและสูญเสียการควบคุมเครื่องมือไฟฟ้า
- ▶ หลีกเลี่ยงการใช้เครื่องมือไฟฟ้าทำงานอย่างต่อเนื่องด้วยความเร็วลดลง มิฉะนั้นมอเตอร์เครื่องมือไฟฟ้าอาจร้อนเกินไป

เมื่อต้องการปลดปุ่มล็อค (5) ให้กดสวิตช์เปิด-ปิด (6) ลื่นๆ แล้วปล่อยให้คลาย ในลักษณะนี้จะป้องกันไม่ให้เครื่องมือไฟฟ้าติดสวิตช์ขึ้นใหม่โดยไม่ตั้งใจ (อันตรายจากการบาดเจ็บ)

เลือกหัวตะกร้อตามประเภทวัสดุที่จะกวนผสม

สำหรับของเหลวที่มีความหนืดต่ำ ต. ย. เช่น ลีโอมิลชั่น แล็กเกอร์ กาว สารประกอบทูลอ ปูนเกรท ให้ใช้หัวตะกร้อที่มีเกลียวหมุนซ้าย หัวตะกร้อที่มีเกลียวหมุนซ้ายจะส่งวัสดุจากบนลงล่าง หัวตะกร้อจะถูกผลักขึ้น ของเหลวผสมที่มีความหนืดต่ำจะถูกกวนโดยสาดกระเด็นน้อย

สำหรับของเหลวที่มีความหนืดสูง ต. ย. เช่น ปูนฉาบผสมสำเร็จ คอนกรีต ซีเมนต์ ซีเมนต์ขัดหยาบ ฟิลเลอร์ อีพ็อกซีเรซิน ให้ใช้หัวตะกร้อที่มีเกลียวหมุนขวา หัวตะกร้อที่มีเกลียวหมุนขวาคจะส่งวัสดุจากกลางขึ้นบน หัวตะกร้อทำงานในของเหลวผสม ของเหลวผสมที่มีความหนืดสูงจะผสมผสานกันอย่างลงตัวที่สุด

ขณะกวนผสม ให้เลื่อนเครื่องมือไฟฟ้าขึ้นและลง ทำความสะอาดหัวตะกร้อหลังใช้งานเสร็จ

- ▶ เก็บรักษาเครื่องมือไฟฟ้าในสถานที่ที่ปลอดภัย ตรวจ สอบให้แน่ใจว่าเครื่องจะไม่ลม มิฉะนั้นเครื่องอาจชำรุดได้

การบำรุงรักษาและการบริการ

การบำรุงรักษาและการทำความสะอาด

- ▶ ดึงปลั๊กไฟออกจากเต้าเสียบก่อนปรับแต่งเครื่อง

- ▶ เพื่อให้ทำงานได้อย่างถูกต้องและปลอดภัย ต้องรักษาเครื่องและช่องระบายอากาศให้สะอาดอยู่เสมอ

เมื่อจำเป็นต้องเปลี่ยนสายไฟฟ้า ให้ส่งเครื่องให้บริษัท บอช หรือศูนย์บริการลูกค้าสำหรับเครื่องมือไฟฟ้า บอช ที่ได้รับมอบหมายทำการเปลี่ยนให้ เพื่อหลีกเลี่ยงอันตรายจากความปลอดภัย

การบริการหลังการขายและการให้คำปรึกษาการใช้งาน

ศูนย์บริการหลังการขายของเรายินดีตอบคำถามของท่านที่เกี่ยวกับการบำรุงรักษาและการซ่อมแซมผลิตภัณฑ์รวมทั้งเรื่องอะไหล่ ภาพแยกชิ้นและข้อมูลเกี่ยวกับอะไหล่ยังสามารถดูได้ใน: www.bosch-pt.com

ทีมงานที่ปรึกษาของ บอช ยินดีให้ข้อมูลเกี่ยวกับผลิตภัณฑ์ของเราและอุปกรณ์ประกอบต่างๆ

www.powertool-portal.de เว็บไซต์สำหรับช่างฝีมือและช่างสมัครเล่น

เมื่อต้องการสอบถามและสั่งซื้ออะไหล่ กรุณาแจ้งหมายเลขสินค้า 10 หลักบนแผ่นป้ายรุ่นของผลิตภัณฑ์ทุกครั้ง

ไทย

ไทย บริษัท โรเบิร์ต บอช จำกัด
เอฟพวยโอ เซ็นเตอร์ อาคาร 1 ชั้น 5

เลขที่ 2525 ถนนพระราม 4

แขวงคลองเตย เขตคลองเตย

กรุงเทพฯ 10110

โทร: +66 2012 8888

แฟกซ์: +66 2064 5800

www.bosch.co.th

ศูนย์บริการซ่อมและฝึกอบรม บอช

อาคาร ลาซาเลทาวเวอร์ ชั้น G ห้องเลขที่ 2

บานเลขที่ 10/11 หมู่ 16

ถนนศรีนครินทร์
ตำบลบางแก้ว อำเภอบางพลี
จังหวัดสมุทรปราการ 10540
ประเทศไทย
โทรศัพท์ 02 7587555
โทรสาร 02 7587525

การกำจัดขยะ

เครื่องมือไฟฟ้า อุปกรณ์ประกอบ และที่บด ต้องนำไปแยกประเภทวัสดุเพื่อการรีไซเคิลที่เป็นมิตรต่อสิ่งแวดล้อมอย่าทิ้งเครื่องมือไฟฟ้าลงในขยะครัวเรือน!



สำหรับประเทศสมาชิกสหภาพยุโรปเท่านั้น:

ตามระเบียบสหภาพยุโรป 2012/19/EU เกี่ยวกับเศษเหลือทิ้งของผลิตภัณฑ์ไฟฟ้าและอิเล็กทรอนิกส์และการนำไปปฏิบัติในกฎหมายระดับประเทศ ต้องเก็บคัดแยกเครื่องมือไฟฟ้าที่ไม่สามารถใช้งานได้อีกต่อไปและส่งเข้าสู่กระบวนการรีไซเคิลที่ไม่ทำลายสภาพแวดล้อม

Bahasa Indonesia

Petunjuk Keselamatan

Petunjuk keselamatan umum untuk perkakas listrik

⚠ PERINGATAN Baca semua peringatan, petunjuk, ilustrasi, dan spesifikasi

keselamatan yang diberikan bersama perkakas listrik ini. Kesalahan dalam menjalankan petunjuk di bawah ini dapat mengakibatkan sengatan listrik, kebakaran, dan/atau cedera serius.

Simpanlah semua peringatan dan petunjuk untuk penggunaan di masa mendatang.

Istilah "perkakas listrik" dalam peringatan mengacu pada perkakas listrik yang dioperasikan dengan listrik (menggunakan kabel) atau perkakas listrik yang dioperasikan dengan baterai (tanpa kabel).

Keamanan tempat kerja

- ▶ **Jaga kebersihan dan pencahayaan area kerja.** Area yang berantakan atau gelap dapat memicu kecelakaan.
- ▶ **Jangan mengoperasikan perkakas listrik di lingkungan yang dapat memicu ledakan, seperti adanya cairan, gas, atau debu yang mudah terbakar.** Perkakas listrik dapat memancarkan bunga api yang kemudian mengakibatkan ledakan atau uap terbakar.
- ▶ **Jauhkan dari jangkauan anak-anak dan pengamat saat mengoperasikan perkakas listrik.** Gangguan dapat menyebabkan hilangnya kendali.

Keamanan listrik

- ▶ **Steker perkakas listrik harus sesuai dengan stopkontak. Jangan pernah memodifikasi steker. Jangan menggunakan steker adaptor bersama dengan perkakas listrik yang terhubung dengan sistem grounding.** Steker yang tidak dimodifikasi dan stopkontak yang cocok akan mengurangi risiko sengatan listrik.
- ▶ **Hindari kontak badan dengan permukaan yang terhubung dengan sistem grounding, seperti pipa, radiator, kompor, dan lemari es.** Terdapat peningkatan risiko terjadinya sengatan listrik jika badan Anda terhubung dengan sistem grounding.
- ▶ **Perkakas listrik tidak boleh terpapar hujan atau basah.** Air yang masuk ke dalam perkakas listrik menambah risiko terjadinya sengatan listrik.
- ▶ **Jangan menyalahgunakan kabel. Jangan gunakan kabel untuk membawa, menarik, atau melepas steker perkakas listrik. Jauhkan kabel dari panas, minyak, tepi yang tajam, atau komponen yang bergerak.** Kabel listrik yang rusak atau tersangkut menambah risiko terjadinya sengatan listrik.
- ▶ **Saat mengoperasikan perkakas listrik di luar ruangan, gunakan kabel ekstensi yang sesuai untuk penggunaan di luar ruangan.** Penggunaan kabel yang cocok untuk pemakaian di luar ruangan mengurangi risiko terjadinya sengatan listrik.
- ▶ **Jika perkakas listrik memang harus dioperasikan di tempat yang lembap, gunakan pemutus arus listrik residu (RCD).** Penggunaan RCD akan mengurangi risiko terjadinya sengatan listrik.

Keselamatan personel

- ▶ **Tetap waspada, perhatikan aktivitas yang sedang dikerjakan dan gunakan akal sehat saat mengoperasikan perkakas listrik. Jangan gunakan perkakas listrik saat mengalami kelelahan atau di bawah pengaruh narkoba, alkohol, atau obat-obatan.** Jika perkakas listrik dioperasikan dengan daya konsentrasi yang rendah, hal tersebut dapat menyebabkan cedera serius.
- ▶ **Gunakan peralatan pelindung diri. Selalu kenakan pelindung mata.** Penggunaan perlengkapan pelindung seperti penutup telinga, helm, sepatu anti licin, dan masker debu akan mengurangi cedera.
- ▶ **Hindari start yang tidak disengaja. Pastikan switch berada di posisi off sebelum perkakas listrik dihubungkan ke sumber daya listrik dan/atau baterai, diangkat, atau dibawa.** Membawa perkakas listrik dengan jari menempel pada tombol atau perkakas listrik dalam keadaan hidup dapat memicu kecelakaan.
- ▶ **Singkirkan kunci penyetel atau kunci pas sebelum menghidupkan perkakas listrik.** Perkakas atau kunci pas yang masih menempel pada komponen perkakas listrik yang berputar dapat menyebabkan cedera.
- ▶ **Jangan melampaui batas. Berdirilah secara mantap dan selalu jaga keseimbangan.** Hal ini akan

memberikan kontrol yang lebih baik terhadap perkakas listrik pada situasi yang tak terduga.

- ▶ **Kenakan pakaian yang wajar. Jangan mengenakan perhiasan atau pakaian yang longgar. Jauhkan rambut dan pakaian dari komponen yang bergerak.** Pakaian yang longgar, rambut panjang, atau perhiasan dapat tersangkut dalam komponen yang bergerak.
- ▶ **Jika disediakan perangkat untuk sambungan pengisapan debu dan alat pengumpulan, pastikan perangkat tersebut terhubung dan digunakan dengan benar.** Penggunaan alat pengumpulan dapat mengurangi bahaya yang disebabkan oleh debu.
- ▶ **Jangan berpuas diri dan mengabaikan prinsip keselamatan karena terbiasa mengoperasikan perkakas.** Tindakan yang kurang hati-hati dapat mengakibatkan cedera serius dalam waktu sepersekian detik.

Penggunaan dan pemeliharaan perkakas listrik

- ▶ **Jangan memaksakan perkakas listrik. Gunakan perkakas listrik yang sesuai untuk pekerjaan yang dilakukan.** Perkakas listrik yang sesuai akan bekerja dengan lebih baik dan aman sesuai tujuan penggunaan.
- ▶ **Jangan gunakan perkakas listrik dengan switch yang tidak dapat dioperasikan.** Perkakas listrik yang switchnya yang tidak berfungsi dapat menimbulkan bahaya dan harus diperbaiki.
- ▶ **Lepaskan steker dari sumber listrik dan/atau lepas baterai, jika dapat dilepaskan dari perkakas listrik sebelum menyetel, mengganti aksesoris, atau menyimpan perkakas listrik.** Tindakan preventif akan mengurangi risiko menghidupkan perkakas listrik secara tidak disengaja.
- ▶ **Jauhkan dan simpan perkakas listrik dari jangkauan anak-anak dan jangan biarkan orang-orang yang tidak mengetahui cara menggunakan perkakas listrik, mengoperasikan perkakas listrik.** Perkakas listrik dapat membahayakan jika digunakan oleh orang-orang yang tidak terlatih.
- ▶ **Lakukan pemeliharaan perkakas listrik dan aksesoris. Periksa komponen yang bergerak apabila tidak lurus atau terikat, kerusakan komponen, dan kondisi lain yang dapat mengganggu pengoperasian perkakas listrik. Apabila rusak, perbaiki perkakas listrik sebelum digunakan.** Kecelakaan sering terjadi karena perkakas listrik tidak dirawat dengan baik.
- ▶ **Jaga ketajaman dan kebersihan alat.** Alat pemotong dengan pisau pemotong yang tajam dan dirawat dengan baik tidak akan mudah tersangkut dan lebih mudah dikendalikan.
- ▶ **Gunakan perkakas listrik, aksesoris, dan komponen perkakas dll sesuai dengan petunjuk ini, dengan mempertimbangkan kondisi kerja dan pekerjaan yang akan dilakukan.** Penggunaan perkakas listrik untuk tujuan berbeda dari fungsinya dapat menyebabkan situasi yang berbahaya.

- ▶ **Jaga gagang dan permukaan genggam agar tetap kering, bersih, dan bebas dari minyak dan lemak.**

Gagang dan permukaan genggam yang licin tidak menjamin keamanan kerja dan kontrol alat yang baik pada situasi yang tidak terduga.

Servis

- ▶ **Minta teknisi berkualifikasi untuk menyervis perkakas listrik dengan hanya menggunakan suku cadang yang identik.** Dengan demikian, hal ini akan memastikan keamanan perkakas listrik.

Petunjuk Keselamatan untuk Mengebor

Petunjuk keselamatan untuk semua pengoperasian

- ▶ **Gunakan handle lainnya, jika tersedia.** Kehilangan kendali dapat menyebabkan cedera.
- ▶ **Pegangi perkakas listrik pada permukaan gagang isolator saat digunakan karena aksesoris pemotong dapat saja bersentuhan dengan kabel yang tidak terlihat atau kabelnya sendiri.** Aksesoris pemotong yang bersentuhan dengan kabel yang dialiri listrik dapat menyebabkan bagian logam perkakas listrik yang terbuka dialiri listrik sehingga berisiko mengakibatkan sengatan listrik pada operator.

Petunjuk keselamatan saat menggunakan mata bor panjang

- ▶ **Jangan pernah mengoperasikan alat dengan kecepatan yang lebih tinggi dari nilai kecepatan maksimal mata bor.** Pada kecepatan yang tinggi, mata bor akan membengkok jika berputar secara bebas tanpa menyentuh benda kerja dan dapat menyebabkan cedera terhadap pengguna.
- ▶ **Selalu hidupkan alat bor pada kecepatan rendah dengan ujung mata bor menyentuh benda kerja.** Pada kecepatan yang tinggi, mata bor akan membengkok jika berputar secara bebas tanpa menyentuh benda kerja dan dapat menyebabkan cedera terhadap pengguna.
- ▶ **Tekan hanya pada garis langsung dengan mata bor dan jangan tekan secara berlebihan.** Mata bor dapat membengkok dan menyebabkan kerusakan atau hilang kendali sehingga menyebabkan cedera terhadap pengguna.

Petunjuk Keselamatan tambahan

- ▶ **Gunakan alat kerja dengan aman.** Benda yang ditahan dalam alat pemegang atau baus lebih aman daripada benda yang dipegang dengan tangan.
- ▶ **Segera matikan perkakas listrik jika alat tambahan terkunci. Bersiaplah dengan reaksi tinggi yang menyebabkan sentakan.** Alat tambahan akan terkunci jika perkakas listrik mengalami kelebihan beban atau perkakas bergerak miring pada benda kerja.
- ▶ **Gunakanlah alat detektor logam yang cocok untuk mencari kabel dan pipa yang tidak terlihat atau hubungi perusahaan pengadaan setempat.** Sentuhan dengan kabel-kabel listrik dapat mengakibatkan api dan kontak listrik. Pipa gas yang dirusak dapat mengakibatkan

ledakan. Pipa air yang dirusak mengakibatkan kerusakan barang-barang atau dapat mengakibatkan kontak listrik.

- ▶ **Sebelum meletakkan perkakas listrik, tunggulah hingga perkakas berhenti berputar.** Alat kerja dapat tersangkut dan menyebabkan perkakas listrik tidak dapat dikendalikan.

Spesifikasi produk dan performa



Bacalah semua petunjuk keselamatan dan petunjuk penggunaan. Kesalahan dalam menjalankan petunjuk keselamatan dan petunjuk penggunaan dapat mengakibatkan kontak listrik, kebakaran, dan/atau luka-luka

yang berat.

Perhatikan ilustrasi yang terdapat pada sisi sampul panduan pengoperasian.

Tujuan penggunaan

Perkakas listrik ini cocok untuk pengeboran pada kayu, logam, keramik, dan bahan plastik.

Perkakas listrik ini cocok untuk mengaduk bahan bangunan yang berwujud bubuk seperti mortar, plester, bahan perekat, cat yang tidak cair, pernis dan zat semacamnya.

Ilustrasi komponen

Nomor-nomor dari bagian-bagian perkakas pada gambar sesuai dengan gambar perkakas listrik pada halaman bergambar.

- (1) Keyed chuck ^{A)}
- (2) Gagang tambahan (genggaman isolator)
- (3) Ulir pada gagang tambahan
- (4) Gagang tambahan (genggaman isolator)
- (5) Tombol pengunci untuk tombol on/off
- (6) Tombol on/off
- (7) Switch arah putaran
- (8) Gagang (genggaman isolator)
- (9) Kunci chuck ^{A)}
- (10) Sekrup pengunci untuk keyed chuck

A) **Aksesori yang ada pada gambar atau yang dijelaskan tidak termasuk dalam lingkup pengiriman standar. Semua aksesori yang ada dapat Anda lihat dalam program aksesori kami.**

Data teknis

Mesin bor	GBM 1600 RE	
Nomor seri	3 601 AB0 0..	
Input daya nominal	W	850
Kecepatan idle	min ⁻¹	630
Kecepatan nominal	Nm	11
Diameter leher spindel	mm	43
Ø (diameter) pengeboran maks.		
- Baja	mm	16

Mesin bor	GBM 1600 RE	
- Kayu	mm	40
- Aluminium	mm	16
Rentang penjepitan chuck	mm	3-16
Perputaran arah ke kanan/ kiri		●
Diameter pedal mixing	mm	160
Berat sesuai dengan EPTA-Procedure 01:2014	kg	3,0
Klasifikasi keamanan		□ / II

Data-data berlaku untuk tegangan nominal [U] 230 V. Pada tegangan yang lebih rendah dan pada model khusus mancanegara data-data ini bisa berlainan.

Cara memasang

- ▶ **Sebelum mulai dengan pekerjaan pada perkakas listrik, tariklah steker dari stopkontak.**

Gagang tambahan (lihat gambar A)

- ▶ **Gunakan perkakas listrik hanya dengan gagang tambahan (2) dan (4).**

Pasang gagang tambahan (2) ke dalam ulir (3) pada rumah mesin.

Gagang tambahan (4) dapat diputar 360°.

Mengganti alat (lihat gambar B)

- ▶ **Pakai sarung tangan pelindung saat mengganti alat sisipan.** Chuck bor bisa menjadi sangat panas jika digunakan dalam waktu yang lama.

Keyed chuck dengan kunci otomatis

Buka keyed chuck (1) dengan cara diputar hingga alat dapat dipasang.

Pasang alat. Masukkan kunci chuck (9) ke lubang keyed chuck (1) yang sesuai dan kencangkan alat dengan teratur.

Mengganti chuck bor (lihat gambar C)

- ▶ **Sebelum mulai dengan pekerjaan pada perkakas listrik, tariklah steker dari stopkontak.**

Melepaskan sekrup pengunci

Keyed chuck (1) telah diamankan dengan sekrup pengunci (10) agar tidak terlepas dari spindel bor secara tiba-tiba.

Buka seluruh keyed chuck (1) lalu putar dan lepaskan sekrup pengunci (10) searah jarum jam. **Perhatikan bahwa sekrup pengunci memiliki ulir yang berputar ke arah kiri.**

Jika sekrup pengunci (10) terpasang dengan kencang, pasang obeng di atas kepala sekrup lalu kendurkan sekrup pengunci dengan memberikan satu pukulan pada gagang obeng.

Melepaskan chuck bor

Untuk melepas keyed chuck (1) posisikan kunci pas (ukuran 17 mm) ke sisi permukaan spindel penggerak.

Pegang keyed chuck dengan tangan dan putar dengan tangan satu lagi menggunakan kunci pas berlawanan arah jarum jam hingga chuck bor terlepas dari kerucut spindel bor.

Memasang chuck bor

- ▶ **Jauhkan kerucut spindel bor dan lubang chuck bor agar tidak terkena gemuk dan kotoran.**

Untuk memasang keyed chuck (1), putar mur pada spindel penggerak searah jarum jam hingga maksimal.

Pasang keyed chuck dengan pelan pada spindel penggerak hingga benar-benar terpasang dengan kencang.

Pukul pelan menggunakan palu karet pada sisi atas keyed chuck (1) untuk memastikan keyed chuck telah benar-benar terpasang dengan kencang. Pastikan rahang penjepit keyed chuck tidak menonjol agar tidak menimbulkan kerusakan.

Memasang sekrup pengunci

Pasang sekrup pengunci (10) pada keyed chuck yang terbuka berlawanan arah jarum jam. Selalu gunakan sekrup pengunci yang baru karena senyawa perekat pada ulirnya akan habis setelah digunakan beberapa kali.

Ekstraksi debu/serbuk

Debu dari bahan-bahan seperti cat yang mengandung timbel (timah hitam), beberapa jenis kayu, bahan mineral dan logam dapat berbahaya bagi kesehatan. Menyentuh atau menghirup debu-debu ini dapat mengakibatkan reaksi alergi dan/atau penyakit saluran pernapasan pada pengguna atau orang yang berada di dekatnya.

Beberapa debu tertentu seperti debu kayu pohon quercus atau pohon fagus silvatica dianggap dapat mengakibatkan penyakit kanker, terutama dalam campuran dengan bahan-bahan tambahan untuk pengolahan kayu (kromat, obat pengawet kayu). Bahan-bahan yang mengandung asbestos hanya boleh dikerjakan oleh orang-orang yang ahli.

- Perhatikanlah supaya ada pertukaran udara yang baik di tempat kerja.
- Kami anjurkan Anda memakai masker anti debu dengan filter kelas P2.

Taatilah peraturan-peraturan untuk bahan-bahan yang dikerjakan yang berlaku di negara Anda.

- ▶ **Hindari debu yang banyak terkumpul di tempat kerja.** Debu dapat tersulut dengan mudah.

Penggunaan

Cara penggunaan

- ▶ **Perhatikan tegangan listrik! Tegangan jaringan listrik harus sesuai dengan tegangan listrik yang tercantum pada label tipe perkakas listrik. Perkakas listrik dengan daya sebesar 230 V seperti yang diindikasikan pada label dapat juga dioperasikan pada daya 220 V.**

Menyetel arah putaran (lihat gambar D)

Arah putaran perkakas listrik dapat diubah dengan switch pengubah arah (7). Hal tersebut tidak dapat dilakukan jika tombol on/off (6) ditekan.

Putaran ke kanan: Untuk mengebor atau mengaduk, tekan switch arah putaran (7) ke kiri hingga maksimal.

Putaran ke kiri: Untuk melepaskan atau mengaduk, tekan switch arah putaran (7) ke kanan hingga maksimal.

Mengaktifkan/menonaktifkan perkakas listrik

Untuk menggunakan pertama kali perkakas listrik, tekan dan tahan tombol on/off (6).

Untuk mengunci tombol on/off yang ditekan, (6) tekan tombol pengunci (5).

Untuk menonaktifkan perkakas listrik, lepaskan tombol on/off (6) jika tombol dikunci dengan tombol pengunci (5), tekan singkat tombol on/off (6) dan lepaskan.

Menyetel kecepatan

Kecepatan perkakas listrik yang diaktifkan dapat disetel terus-menerus tergantung seberapa kuat tombol on/off (6) ditekan.

Jika tombol on/off (6) ditekan singkat dan tidak terlalu kuat, kecepatan putaran akan menjadi rendah. Tekanan yang lebih besar mengakibatkan kecepatan putaran yang lebih tinggi.

Petunjuk kerja dalam mengebor

Gunakanlah emulsi atau minyak khusus untuk memotong logam untuk pendinginan dan pelumasan, agar mata bor tidak menjadi terlalu panas atau terjepit.

Saat diameter pengeboran > 10 mm, lakukan pengeboran awal dengan membuat diameter lubang kecil. Dengan demikian tekanan dapat diperkecil dan pembebanan perkakas listrik dapat dikurangi.

Hanya gunakan mata bor HSS yang diasah (HSS=high performance superspeed steel) untuk pengeboran logam. Kualitas terkait dijamin oleh program aksesoris Bosch.

Benda kerja dapat dijepit dengan aman menggunakan ragum yang disediakan sebagai aksesoris. Alat ini akan mencegah benda yang dikerjakan bergeser dan terbalik dan menimbulkan kecelakaan.

Petunjuk kerja dalam mengaduk

- ▶ **Jangan gunakan perkakas listrik dalam posisi berdiri.**
- ▶ **Hindari mencipratkan adukan.** Jika tidak, Anda dapat tergelincir dan kehilangan kendali atas perkakas listrik.
- ▶ **Hindari pengoperasian perkakas listrik terus menerus pada kecepatan rendah.** Jika tidak, mesin perkakas listrik dapat mengalami panas berlebihan.

Untuk melepaskan tombol pengunci (5), tekan singkat tombol on/off (6) lalu lepaskan. Hal ini akan mencegah perkakas listrik melakukan restart tidak disengaja (menimbulkan risiko cedera).

Pilihan pedal mixing bergantung pada adukannya.

Untuk adukan dengan viskositas rendah (encer) seperti cat dispersi, pernis, bahan perekat, senyawa untuk mengecor, adukan semen, gunakan pedal mixing dengan spiral kiri.

Material akan didorong dari atas ke bawah menggunakan pedal mixing dengan spiral kiri. Pedal mixing didorong ke atas. Adukan dengan viskositas rendah (encer) dicampur.

Untuk adukan dengan viskositas tinggi seperti plester campuran, beton, semen, cement screed, senyawa grouting (dempul), resin epoksi, gunakan pedal mixing dengan spiral kanan. Material didorong dari bawah ke atas menggunakan pedal mixing dengan spiral kanan. Pedal mixing terbiasa bekerja dan masuk ke dalam adukan. Adukan dengan velositas tinggi akan dicampur secara optimal.

Gerakkan perkakas listrik ke atas dan ke bawah selama bekerja. Bersihkan pedal mixing setelah digunakan.

- ▶ **Simpan perkakas listrik di tempat yang aman.** Pastikan posisi perkakas listrik aman sehingga tidak dapat jatuh. Jika tidak, perkakas listrik dapat rusak.

Perawatan dan servis

Perawatan dan pembersihan

- ▶ **Sebelum mulai dengan pekerjaan pada perkakas listrik, tariklah steker dari stopkontak.**
- ▶ **Perkakas listrik dan lubang ventilasi harus selalu dibersihkan agar perkakas dapat digunakan dengan baik dan aman.**

Jika kabel listrik harus diganti, pekerjaan ini harus dilakukan oleh Bosch atau Service Center untuk perkakas listrik Bosch yang resmi, agar keselamatan kerja selalu terjamin.

Layanan pelanggan dan konsultasi penggunaan

Layanan pelanggan Bosch menjawab semua pertanyaan Anda tentang reparasi dan perawatan serta tentang suku cadang produk ini. Gambaran teknis (exploded view) dan informasi mengenai suku cadang dapat ditemukan di:

www.bosch-pt.com

Tim konsultasi penggunaan Bosch akan membantu Anda menjawab pertanyaan seputar produk kami beserta aksesorinya.

www.powertool-portal.de, portal internet untuk perajin dan tukang.

Jika Anda hendak menanyakan sesuatu atau memesan suku cadang, selalu sebutkan nomor model yang terdiri atas 10 angka dan tercantum pada label tipe produk.

Indonesia

PT Robert Bosch
Palma Tower 10th Floor
Jalan RA Kartini II-S Kaveling 6
Pondok Pinang, Kebayoran Lama
Jakarta Selatan 12310
Tel.: (021) 3005 5800
Fax: (021) 3005 5801
E-Mail: boschpowertools@id.bosch.com
www.bosch-pt.co.id

Cara membuang

Perkakas listrik, aksesoris, dan kemasan sebaiknya didaur ulang secara ramah lingkungan.



Jangan membuang perkakas listrik ke dalam sampah rumah tangga!

Hanya untuk negara Uni Eropa:

Menurut European Directive 2012/19/EU tentang limbah peralatan listrik dan elektronik dan kaitannya dengan hukum nasional, listrik yang tidak lagi dapat digunakan harus dikumpulkan secara terpisah dan didaur ulang dengan cara yang ramah lingkungan.

Tiếng Việt

Hướng dẫn an toàn

Hướng dẫn an toàn chung cho dụng cụ điện

⚠ CẢNH BÁO Hãy đọc toàn bộ các cảnh báo an toàn, hướng dẫn, hình ảnh và thông số kỹ thuật được cung cấp cho dụng cụ điện cầm tay này. Không tuân thủ mọi hướng dẫn được liệt kê dưới đây có thể bị điện giật, gây cháy và /hay bị thương tật nghiêm trọng.

Hãy giữ tất cả tài liệu về cảnh báo và hướng dẫn để tham khảo về sau.

Thuật ngữ "dụng cụ điện cầm tay" trong phần cảnh báo là đề cập đến sự sử dụng dụng cụ điện cầm tay của bạn, loại sử dụng điện nguồn (có dây cắm điện) hay vận hành bằng pin (không dây cắm điện).

Khu vực làm việc an toàn

- ▶ **Giữ nơi làm việc sạch và đủ ánh sáng.** Nơi làm việc bừa bộn và tối tăm dễ gây ra tai nạn.
- ▶ **Không vận hành dụng cụ điện cầm tay trong môi trường dễ gây nổ, chẳng hạn như nơi có chất lỏng dễ cháy, khí đốt hay rác.** Dụng cụ điện cầm tay tạo ra các tia lửa nên có thể làm rác bén cháy hay bốc khói.
- ▶ **Không để trẻ em hay người đến xem đứng gần khi vận hành dụng cụ điện cầm tay.** Sự phân tâm có thể gây ra sự mất điều khiển.

An toàn về điện

- ▶ **Phích cắm của dụng cụ điện cầm tay phải thích hợp với ổ cắm. Không bao giờ được cải biến lại phích cắm dưới mọi hình thức. Không được sử dụng phích tiếp hợp nối tiếp đất (dây mát).** Phích cắm nguyên bản và ổ cắm đúng loại sẽ làm giảm nguy cơ bị điện giật.
- ▶ **Tránh không để thân thể tiếp xúc với đất hay các vật có bề mặt tiếp đất như đường ống, lò sưởi, hàng rào và tủ lạnh.** Có nhiều nguy cơ bị điện giật hơn nếu cơ thể bạn bị tiếp hay nối đất.
- ▶ **Không được để dụng cụ điện cầm tay ngoài mưa hay ở tình trạng ẩm ướt.** Nước vào máy sẽ làm tăng nguy cơ bị điện giật.

- ▶ **Không được lạm dụng dây dẫn điện. Không bao giờ được nắm dây dẫn để xách, kéo hay rút phích cắm dụng cụ điện cầm tay. Không để dây gần nơi có nhiệt độ cao, dầu nhớt, vật nhọn bén và bộ phận chuyển động.** Làm hỏng hay cuộn rối dây dẫn làm tăng nguy cơ bị điện giật.
- ▶ **Khi sử dụng dụng cụ điện cầm tay ngoài trời, dùng dây nối thích hợp cho việc sử dụng ngoài trời.** Sử dụng dây nối thích hợp cho việc sử dụng ngoài trời làm giảm nguy cơ bị điện giật.
- ▶ **Nếu việc sử dụng dụng cụ điện cầm tay ở nơi ẩm ướt là không thể tránh được, dùng thiết bị ngắt mạch tự động (RCD) bảo vệ nguồn.** Sử dụng thiết bị ngắt mạch tự động RCD làm giảm nguy cơ bị điện giật.

An toàn cá nhân

- ▶ **Hãy tỉnh táo, biết rõ mình đang làm gì và hãy sử dụng ý thức khi vận hành dụng cụ điện cầm tay.** Không sử dụng dụng cụ điện cầm tay khi đang mệt mỏi hay đang bị tác động do chất gây nghiện, rượu hay được phẩm gây ra. Một thoáng mất tập trung khi đang vận hành dụng cụ điện cầm tay có thể gây thương tích nghiêm trọng cho bản thân.
- ▶ **Sử dụng trang bị bảo hộ cá nhân.** Luôn luôn đeo kính bảo vệ mắt. Trang bị bảo hộ như khẩu trang, giày chống trượt, nón bảo hộ, hay dụng cụ bảo vệ tai khi được sử dụng đúng nơi đúng chỗ sẽ làm giảm nguy cơ thương tật cho bản thân.
- ▶ **Phòng tránh máy khởi động bất ngờ.** Bảo đảm công tắc máy ở vị trí tắt trước khi cắm vào nguồn điện và/hay lắp pin vào, khi nhắc máy lên hay khi mang xách máy. Ngáng ngón tay vào công tắc máy để xách hay kích hoạt dụng cụ điện cầm tay khi công tắc ở vị trí mở dễ dẫn đến tai nạn.
- ▶ **Lấy mọi chìa hay khóa điều chỉnh ra trước khi mở điện dụng cụ điện cầm tay.** Khóa hay chìa còn gắn dính vào bộ phận quay của dụng cụ điện cầm tay có thể gây thương tích cho bản thân.
- ▶ **Không rướn người.** Luôn luôn giữ tư thế đứng thích hợp và thăng bằng. Điều này tạo cho việc điều khiển dụng cụ điện cầm tay tốt hơn trong mọi tình huống bất ngờ.
- ▶ **Trang phục thích hợp.** Không mặc quần áo rộng lủng thụng hay mang trang sức. Giữ tóc và quần áo xa khỏi các bộ phận chuyển động. Quần áo rộng lủng thụng, đồ trang sức hay tóc dài có thể bị cuốn vào các bộ phận chuyển động.
- ▶ **Nếu có các thiết bị đi kèm để nối máy hút bụi và các phụ kiện khác, bảo đảm các thiết bị này được nối và sử dụng tốt.** Việc sử dụng các thiết bị gom hút bụi có thể làm giảm các độc hại liên quan đến bụi gây ra.
- ▶ **Không để thói quen do sử dụng thường xuyên xuyên dụng cụ khiến bạn trở nên chủ quan và bỏ qua các quy định an toàn dụng cụ.** Một hành vi bất cẩn có thể gây ra thương tích nghiêm trọng chỉ trong tích tắc.

Sử dụng và bảo dưỡng dụng cụ điện cầm tay

- ▶ **Không được ép máy.** Sử dụng dụng cụ điện cầm tay đúng loại theo đúng ứng dụng của bạn. Dụng cụ điện cầm tay đúng chức năng sẽ làm việc tốt và an toàn hơn theo đúng tiến độ mà máy được thiết kế.
- ▶ **Không sử dụng dụng cụ điện cầm tay nếu như công tắc không tắt và mở được.** Bất kỳ dụng cụ điện cầm tay nào mà không thể điều khiển được bằng công tắc là nguy hiểm và phải được sửa chữa.
- ▶ **Rút phích cắm ra khỏi nguồn điện và/hay pin ra khỏi dụng cụ điện cầm tay nếu có thể tháo được, trước khi tiến hành bất kỳ điều chỉnh nào, thay phụ kiện, hay cất dụng cụ điện cầm tay.** Các biện pháp ngăn ngừa như vậy làm giảm nguy cơ dụng cụ điện cầm tay khởi động bất ngờ.
- ▶ **Cất giữ dụng cụ điện cầm tay không dùng tới nơi trẻ em không lấy được và không cho người chưa từng biết dụng cụ điện cầm tay hay các hướng dẫn này sử dụng dụng cụ điện cầm tay.** Dụng cụ điện cầm tay nguy hiểm khi ở trong tay người chưa được chỉ cách sử dụng.
- ▶ **Bảo quản dụng cụ điện cầm tay và các phụ kiện.** Kiểm tra xem các bộ phận chuyển động có bị sai lệch hay kẹt, các bộ phận bị rạn nứt và các tình trạng khác có thể ảnh hưởng đến sự vận hành của máy. Nếu bị hư hỏng, phải sửa chữa máy trước khi sử dụng. Nhiều tai nạn xảy ra do bảo quản dụng cụ điện cầm tay tồi.
- ▶ **Giữ các dụng cụ cất bên và sạch.** Bảo quản đúng cách các dụng cụ cất có cạnh cất bên làm giảm khả năng bị kẹt và dễ điều khiển hơn.
- ▶ **Sử dụng dụng cụ điện cầm tay, phụ kiện, đầu cài v. v., đúng theo các chỉ dẫn này, hãy lưu ý đến điều kiện làm việc và công việc phải thực hiện.** Sự sử dụng dụng cụ điện cầm tay khác với mục đích thiết kế có thể tạo nên tình huống nguy hiểm.
- ▶ **Giữ tay cầm và bề mặt nắm luôn khô ráo, sạch sẽ và không dính dầu mỡ.** Tay cầm và bề mặt nắm trơn trượt không đem lại thao tác an toàn và kiểm soát dụng cụ trong các tình huống bất ngờ.

Bảo dưỡng

- ▶ **Đưa dụng cụ điện cầm tay của bạn đến thợ chuyên môn để bảo dưỡng, chỉ sử dụng phụ**

tùng đúng chủng loại để thay. Điều này sẽ đảm bảo sự an toàn của máy được giữ nguyên.

Cảnh báo An toàn cho Máy khoan

Hướng dẫn an toàn cho mọi hoạt động

- ▶ **Sử dụng (các) tay cầm phụ, nếu được cung cấp kèm theo dụng cụ.** Mất điều khiển có thể gây ra thương tích cho người.
- ▶ **Chỉ cầm dụng cụ điện tại các bề mặt cầm nắm có cách điện, khi thực hiện một thao tác tại vị trí mà phụ kiện cắt có thể tiếp xúc với dây điện ngầm hoặc chính dây điện của thiết bị.** Phụ kiện cắt tiếp xúc với dây có điện có thể làm cho các phần kim loại hở của dụng cụ điện cầm tay có điện và có thể gây ra điện giật cho người vận hành.

Hướng dẫn an toàn khi sử dụng các mũi khoan dài

- ▶ **Không vận hành ở tốc độ cao hơn tốc độ tối đa cho phép của mũi khoan.** Ở tốc độ cao hơn, mũi khoan có thể bị cong nếu cho phép xoay tự do mà không cho tiếp xúc với phi gia công, dẫn đến thương tích cho người.
- ▶ **Luôn khởi động khoan ở tốc độ thấp và với đầu mũi khoan tiếp xúc với phi gia công.** Ở tốc độ cao hơn, mũi khoan có thể bị cong nếu cho phép xoay tự do mà không cho tiếp xúc với phi gia công, dẫn đến thương tích cho người.
- ▶ **Chỉ dùng áp lực vào đường trực tiếp bằng mũi khoan và không dùng áp lực dư.** Các mũi khoan có thể cong, gãy gãy hoặc mất kiểm soát, dẫn đến thương tích cho người.

Các cảnh báo phụ thêm

- ▶ **Kẹp chặt vật gia công.** Vật gia công được kẹp bằng một thiết bị kẹp hay bằng ê-tô thì vững chắc hơn giữ bằng tay.
- ▶ **Tắt dụng cụ điện ngay nếu phụ tùng bị chặn.** Hãy chuẩn bị cho những mô-men phản ứng cao, mà gây ra sự dội ngược. Phụ tùng bị chặn, nếu dụng cụ điện bị quá tải hoặc bị kẹt trong phi gia công cần gia công.
- ▶ **Dùng thiết bị dò tìm thích hợp để xác định nếu có các công trình công cộng lắp đặt ngầm trong khu vực làm việc hay liên hệ với Cty công trình công cộng địa phương để nhờ hỗ trợ.** Đụng chạm đường dẫn điện có thể gây ra hỏa hoạn và điện giật. Làm hư hại đường dẫn khí ga có thể gây nổ. Làm thủng đường dẫn nước gây hư hỏng tài sản hay có khả năng gây ra điện giật.
- ▶ **Luôn luôn đợi cho máy hoàn toàn ngừng hẳn trước khi đặt xuống.** Dụng cụ lắp vào máy có thể bị kẹp chặt dẫn đến việc dụng cụ điện cầm tay bị mất điều khiển.

Mô Tả Sản Phẩm và Đặc Tính Kỹ Thuật



Đọc kỹ mọi cảnh báo an toàn và mọi hướng dẫn. Không tuân thủ mọi cảnh báo và hướng dẫn được liệt kê dưới đây có thể bị điện giật, gây cháy và / hay bị thương tật nghiêm trọng.

Xin lưu ý các hình minh hoạt trong phần trước của hướng dẫn vận hành.

Sử dụng đúng cách

Máy được thiết kế để khoan gỗ, kim loại, gốm và nhựa mũ.

Dụng cụ điện được thiết kế để pha trộn các vật liệu xây dựng như vữa, thạch cao, chất keo hồ, và thuốc màu không chứa dung môi, sơn và các chất tương tự.

Các bộ phận được minh họa

Sự đánh số các biểu trưng của sản phẩm là để tham khảo hình minh họa của máy trên trang hình ảnh.

- (1) Đầu cặp mũi khoan vành răng^{A)}
- (2) Tay nắm phụ (có bề mặt nắm cách điện)
- (3) Vòng ren gắn tay nắm phụ
- (4) Tay nắm phụ (có bề mặt nắm cách điện)
- (5) Nút khoá giữ chế độ tự-chạy của công tắc Tắt/Mở
- (6) Công tắc Tắt/Mở
- (7) Gạc vận chuyển đổi chiều quay
- (8) Tay nắm (bề mặt nắm cách điện)
- (9) Khóa chốt kẹp mũi khoan^{A)}
- (10) Vít bắt chặt cho mâm cặp khoan loại dùng chìa

A) **Phụ tùng được trình bày hay mô tả không phải là một phần của tiêu chuẩn hàng hóa được giao kèm theo sản phẩm. Bạn có thể tham khảo tổng thể các loại phụ tùng, phụ kiện trong chương trình phụ tùng của chúng tôi.**

Thông số kỹ thuật

Khoan xoay	GBM 1600 RE	
Mã số máy		3 601 AB0 0..
Công suất vào danh định	W	850
Tốc độ không tải	min ⁻¹	630
Lực vận danh định	Nm	11
Đường kính cổ trục	mm	43
Ø lỗ khoan tối đa		
– Thép	mm	16
– Gỗ	mm	40
– Nhôm	mm	16
Phạm vi mâm cặp kẹp được	mm	3–16
Quay Phải/Trái		●

Khoan xoay		GBM 1600 RE
Đường kính dụng cụ pha trộn tối đa	mm	160
Trọng lượng theo Qui trình EPTA-Procedure 01:2014	kg	3,0
Cấp độ bảo vệ		□/II

Các giá trị đã cho có hiệu lực cho điện thế danh định [U] 230 V. Đối với điện thế thấp hơn và các loại máy dành riêng cho một số quốc gia, các giá trị này có thể thay đổi.

Sự lắp vào

- ▶ Trước khi tiến hành bất cứ việc gì trên máy, kéo phích cắm điện nguồn ra.

Tay nắm phụ (xem hình A)

- ▶ Chỉ vận hành máy của bạn khi đã gắn các tay nắm phụ (2) và (4).

Vặn vít tay nắm phụ (2) vào ren (3) trên vỏ động cơ.

Tay nắm phụ (4) trơn tru và có thể xoay 360 °.

Thay Dụng Cụ (xem hình B)

- ▶ Hãy mang găng tay bảo vệ khi thay dụng cụ.

Mâm cặp có thể trở nên rất nóng trong suốt thời gian dài liên tục hoạt động.

Đầu cặp mũi khoan vành răng có khóa tự động

Hãy mở đầu cặp mũi khoan vành răng (1) bằng cách vặn cho đến khi có thể lắp được dụng cụ.

Lắp dụng cụ vào. Cắm khóa chốt kẹp mũi khoan (9) vào lỗ tương ứng của đầu cặp mũi khoan vành răng (1) và đồng thời kẹp chặt dụng cụ.

Thay đầu cặp mũi khoan (xem hình C)

- ▶ Trước khi tiến hành bất cứ việc gì trên máy, kéo phích cắm điện nguồn ra.

Tháo Vít An Toàn

Đầu cặp mũi khoan vành răng (1) được gắn chặt để không bị vô tình rơi lỏng ra khỏi trục chính máy khoan bằng một bulông an toàn (10).

Mở đầu cặp mũi khoan vành răng (1) hết cỡ và vặn bulông an toàn (10) ra theo chiều kim đồng hồ.

Chú ý rằng, vít an toàn có ren trái.

Nếu vít an toàn (10) được xiết chặt, hãy đặt tuốc-nơ-vít lên đầu vít và nối lỏng vít an toàn bằng cách gõ vào cán tuốc-nơ-vít.

Lấy Mâm Cặp Khoan Ra

Để tháo dỡ đầu cặp mũi khoan vành răng (1) hãy đặt một chìa vặn điều chỉnh (SW 17) sát vào đai ốc trên trục chính truyền động.

Giữ chặt đầu cặp mũi khoan vành răng bằng một tay và tay kia xoay chìa vặn điều chỉnh ngược chiều kim đồng hồ, cho đến khi đầu cặp mũi khoan rời ra khỏi chi tiết hình côn của trục chính máy khoan.

Gắn Mâm Cặp Khoan vào

- ▶ Giữ chi tiết hình côn của trục chính máy khoan và lỗ khoan của đầu cặp mũi khoan không bị dầu mỡ và bụi bẩn.

Để lắp đầu cặp mũi khoan vành răng (1) hãy xoay đai ốc trên trục chính truyền động theo chiều kim đồng hồ cho đến cỡ chặn cuối.

Nhẹ nhàng cắm đầu cặp mũi khoan vành răng vào trục chính truyền động, cho đến khi chắc chắn.

Gõ nhẹ búa cao su vào mặt trước của đầu cặp mũi khoan vành răng (1), để đảm bảo đầu cặp mũi khoan vành răng đã chắc chắn. Khi đó hãy chú ý rằng, vấu cặp của đầu cặp mũi khoan vành răng không nhô ra, để không bị hư hại.

Gắn bulông an toàn

Vặn bulông an toàn (10) ngược chiều kim đồng hồ vào đầu cặp mũi khoan vành răng. Sử dụng một bu lông an toàn mới, bởi vì chất dán cố định trên ren của bulông an toàn sẽ mất tác dụng khi sử dụng nhiều lần.

Hút Dăm/Bụi

Mạt bụi từ các vật liệu được sơn phủ ngoài có chứa chì trên một số loại gỗ, khoáng vật và kim loại có thể gây nguy hại đến sức khỏe con người. Đụng chạm hay hít thở các bụi này có thể làm người sử dụng hay đứng gần bị dị ứng và/hoặc gây nhiễm trùng hệ hô hấp.

Một số hạt bụi cụ thể, ví dụ như bụi gỗ sợi hay dầu, được xem là chất gây ung thư, đặc biệt là có liên quan đến các chất phụ gia dùng xử lý gỗ (chất cromat, chất bảo quản gỗ). Có thể chỉ nên để thợ chuyên môn gia công các loại vật liệu có chứa amiăng.

- Tạo không khí thông thoáng nơi làm việc.
- Khuyến nghị nên mang mặt nạ phòng độc có bộ lọc cấp P2.

Tuân thủ các qui định của quốc gia bạn liên quan đến loại vật liệu gia công.

- ▶ **Tránh không để rác tích tụ tại nơi làm việc.**
Rác có thể dễ dàng bắt lửa.

Vận Hành

Bắt Đầu Vận Hành

- ▶ **Hãy cẩn thận với nguồn điện! Điện thế nguồn phải đúng với điện thế đã ghi rõ trên nhãn máy. Dụng cụ điện được ghi 230 V cũng có thể được vận hành ở 220 V.**

Điều chỉnh hướng xoay (xem hình D)

Với gạt vận chuyển đổi chiều quay (7) bạn có thể thay đổi hướng xoay của dụng cụ điện. Tuy nhiên, việc này không thực hiện được khi công tắc Tắt/Mở được nhấn (6).

Quay theo chiều kim đồng hồ: Để khoan hay pha trộn hãy nhấn công tắc định hướng xoay (7) sang trái cho đến cỡ chặn cuối.

Quay ngược chiều kim đồng hồ: Để rời lồng hay pha trộn hãy nhấn công tắc định hướng xoay (7) sang phải cho đến cỡ chặn cuối.

Bật/Tắt

Để vận hành thử dụng cụ điện hãy nhấn công tắc Tắt/Mở (6) và nhấn giữ.

Để khóa công tắc bật/tắt đã nhấn (6) hãy nhấn nút khóa giữ (5).

Để tắt dụng cụ điện, hãy nhả công tắc bật/tắt (6) hoặc nếu nó được khóa bằng nút khóa giữ (5), hãy nhấn nhanh công tắc bật/tắt (6) và nhả.

Điều chỉnh tốc độ

Bạn có thể điều tiết liên tục số vòng quay của dụng cụ điện đã bật, tùy vào việc bạn nhấn công tắc Tắt/Mở như thế nào (6).

Nhấn nhẹ trên công tắc Tắt/Mở (6) sẽ kích hoạt số vòng quay thấp. Tăng lực nhấn lên công tắc làm tăng tốc độ quay.

Hướng dẫn vận hành khoan

Hãy xử dụng dầu nhờn để khoan hay dầu nhờn để cắt để làm mát và bôi trơn, và để tránh bị quá nóng hay làm mũi khoan bị chèn chặt.

Hãy khoan bằng một đường kính nhỏ nếu đường kính > 10 mm. Cách này cho phép bạn giảm lực gia tải và làm cho dụng cụ điện không bị ứng suất căng.

Chỉ sử dụng mũi khoan HSS (HSS=thép gió) sắc và không bị lỗi. Chất lượng đáp ứng chuẩn được đảm bảo trong chương trình phụ kiện của Bosch.

Bàn kẹp máy, phụ kiện loại có thể mua được, đảm bảo sự kẹp vật gia công được chắc chắn. Điều này ngăn không làm cho vật gia công bị xoay và không bị tai nạn có thể xảy ra do sự cố này.

Hướng dẫn vận hành pha trộn

► **Không được sử dụng dụng cụ điện trong giá đỡ.**

► **Tránh làm phun hỗn hợp pha trộn.** Bạn có thể bị trượt ngã và mất kiểm soát thông qua dụng cụ điện.

► **Tránh vận hành lâu dụng cụ điện với số vòng quay tối thiểu.** Nếu không thì động cơ của dụng cụ điện có thể nóng lên.

Để kích hoạt nút khóa giữ chế độ chạy tự động (5), hãy nhấn nhanh công tắc bật/tắt (6) và thả ra. Để ngăn ngừa vô tình khởi động lại dụng cụ điện (Nguy cơ bị thương).

Lựa chọn dụng cụ pha trộn dựa vào hỗn hợp pha trộn.

Đối với hỗn hợp pha trộn có độ sệt thấp, chẳng hạn như sơn nhũ, sơn, chất keo hồ, vữa, vữa xi măng nhão, hãy sử dụng dụng cụ pha trộn kiểu xoắn ốc

trái. Trong dụng cụ pha trộn kiểu xoắn ốc trái, nguyên liệu sẽ nhào trộn từ trên xuống dưới. Dụng cụ pha trộn được đẩy lên trên. Hỗn hợp có độ sệt thấp được pha trộn mà không bị bắn ra.

Đối với hỗn hợp có độ sệt cao, chẳng hạn như thạch cao trộn sẵn, bê tông, xi măng, vữa sàn, vữa vôi, keo epoxy, hãy sử dụng dụng cụ pha trộn kiểu xoắn ốc phải. Trong dụng cụ pha trộn kiểu xoắn ốc phải, nguyên liệu sẽ nhào trộn từ dưới lên trên.

Dụng cụ pha trộn được đưa vào hỗn hợp. Hỗn hợp pha trộn có độ sệt cao được pha trộn tối ưu.

Hãy di chuyển dụng cụ điện lên và xuống khi đang hoạt động. Làm sạch dụng cụ pha trộn sau khi sử dụng.

► **Cất dụng cụ điện ở nơi an toàn.** Chắc chắn rằng nó không bị đổ. Nếu không, máy có thể bị làm hỏng.

Bảo Dưỡng và Bảo Quản

Bảo Dưỡng Và Làm Sạch

► **Trước khi tiến hành bất cứ việc gì trên máy, kéo phích cắm điện nguồn ra.**

► **Để được an toàn và máy hoạt động đúng chức năng, luôn luôn giữ máy và các khe thông gió được sạch.**

Nếu như cần phải thay dây dẫn điện thì công việc này phải do hãng Bosch, hay một đại lý được Bosch ủy nhiệm thực hiện để tránh gặp sự nguy hiểm do mất an toàn.

Dịch vụ hỗ trợ khách hàng và tư vấn sử dụng

Bộ phận phục vụ hàng sau khi bán của chúng tôi trả lời các câu hỏi liên quan đến việc bảo dưỡng và sửa chữa các sản phẩm cũng như phụ tùng thay thế của bạn. Sơ đồ mô tả và thông tin về phụ tùng thay thế cũng có thể tra cứu theo dưới đây:

www.bosch-pt.com

Đội ngũ tư vấn sử dụng của Bosch sẽ giúp bạn giải đáp các thắc mắc về sản phẩm và phụ kiện.

www.powertool-portal.de, cổng thông tin điện tử cho thợ thủ công và người làm việc vật.

Trong tất cả các phản hồi và đơn đặt phụ tùng, xin vui lòng luôn luôn nhập số hàng hóa 10 chữ số theo nhãn của hàng hóa.

Việt Nam

CN CÔNG TY TNHH BOSCH VIỆT NAM TẠI TP.HCM

Tầng 14, Ngôi Nhà Đức, 33 Lê Duẩn
Phường Bến Nghé, Quận 1, Thành Phố Hồ Chí Minh

Tel.: (028) 6258 3690

Fax: (028) 6258 3692 - 6258 3694

Hotline: (028) 6250 8555

Email: tuvankhachhang-pt@vn.bosch.com

www.bosch-pt.com.vn
www.baohanhbosch-pt.com.vn

Campuchia

Công ty TNHH Robert Bosch (Campuchia)
Đôn nguyên 8BC, GT Tower, Tầng 08,
Đường 169, Tiệp Khắc Blvd, Sangkat Veal Vong,
Khan 7 Makara, Phnom Penh
VAT TIN: 100 169 511
Tel.: +855 23 900 685
Tel.: +855 23 900 660
www.bosch.com.kh

Sự thải bỏ

Máy, linh kiện và bao bì phải được phân loại để tái chế theo hướng thân thiện với môi trường.



Không được thải bỏ dụng cụ điện vào chung với rác sinh hoạt!

Chỉ dành cho các quốc gia thuộc khối Liên minh Châu Âu (EU):

Theo chỉ thị Châu Âu 2012/19/EU về thiết bị điện, thiết bị điện tử cũ và việc sử dụng theo luật quốc gia, các dụng cụ điện cầm tay không còn giá trị sử dụng phải được thu gom riêng và tái chế theo luật môi trường.

للاستعمال الخارجي. يقلل استعمال كابل تمديد مخصص للاستعمال الخارجي من خطر الصدمات الكهربائية.

◀ إن لم يكن بالإمكان تجنب تشغيل العدة الكهربائية في الأجواء الرطبة، فاستخدم مفتاح للوقاية من التيار المتخلف. إن استخدام مفتاح للوقاية من التيار المتخلف يقلل خطر الصدمات الكهربائية.

أمان الأشخاص

◀ كن يقظا وانتبه إلى ما تفعله واستخدم العدة الكهربائية بتعقل. لا تستخدم عدة كهربائية عندما تكون متعبا أو عندما تكون تحت تأثير المخدرات أو الكحول أو الأدوية. عدم الانتباه للحظة واحدة عند استخدام العدة الكهربائية قد يؤدي إلى إصابات خطيرة.

◀ قم لارتداء تجهيزات الحماية الشخصية. وارتد دائما نظارات واقية. يحد ارتداء تجهيزات الحماية الشخصية، كقناع الوقاية من الغبار وأحذية الأمان الواقية من الانزلاق والوذو أو واقية الأذنين، حسب ظروف استعمال العدة الكهربائية، من خطر الإصابة بجروح.

◀ تجنب التشغيل بشكل غير مقصود. تأكد من كون العدة الكهربائية مطفأة قبل توصيلها بالتيار الكهربائي و/أو بالمركم، وقبل رفعها أو حملها. إن كنت تضع إصبعك على المفتاح أثناء حمل العدة الكهربائية أو إن وصلت الجهاز بالشبكة الكهربائية بينما لامتفاح على وضع التشغيل، قد يؤدي إلى وقوع الحوادث.

◀ انزع أداة الضبط أو مفتاح الربط قبل تشغيل العدة الكهربائية. قد تؤدي الأداة أو المفتاح المتواجد في جزء دوار من الجهاز إلى الإصابة بجروح.

◀ تجنب أوضاع الجسم غير الطبيعية. قف بأمان وحافظ على توازنك دائما. سيسمع لك ذلك بالتمكك في الجهاز بشكل أفضل في المواقف الغير متوقعة.

◀ قم بارتداء ثياب مناسبة. لا ترتد الثياب الفضفاضة أو الحلى. احرص على إبقاء الشعر والملابس بعيدا عن الأجزاء المتحركة. قد تتشابك الثياب الفضفاضة والحلى والشعر الطويل بالأجزاء المتحركة.

◀ إن جاز تركيب تجهيزات شفط وتجميع الغبار، فتأكد من أنها موصولة وبأنه يتم استخدامها بشكل سليم. قد يقلل استخدام تجهيزات لشفط الغبار من المخاطر الناتجة عن الغبار.

◀ لا تستخدم العدة الكهربائية بلا مبالاة وتجاهل قواعد الأمان الخاصة بها نتيجة لتعودك على استخدام العدة الكهربائية وكثرة استخدامها. فقد يتسبب الاستخدام دون حرص في حدوث إصابة بالغة تحدث في أجزاء من الثانية.

حسن معاملة واستخدام العدد الكهربائية

◀ لا تفرط بتحميل الجهاز. استخدم لتنفيذ أشغالك العدة الكهربائية المخصصة لذلك. إنك تعمل بشكل أفضل وأكثر أماناً بواسطة العدة الكهربائية الملائمة في مجال الأداء المذكور.

◀ لا تستخدم العدة الكهربائية إن كان مفتاح تشغيلها تالف. العدة الكهربائية التي لم يعد من

عربي

إرشادات الأمان

الإرشادات العامة للأمان بالعدد الكهربائية

4 تحذير اطلع على كافة تحذيرات الأمان والتعليمات والصور

والمواصفات المرفقة بالعدة الكهربائية. عدم اتباع التعليمات الواردة أدناه قد يؤدي إلى حدوث صدمة كهربائية، إلى نشوب حريق و/أو الإصابة بجروح خطيرة.

احتفظ بجميع الملاحظات التحذيرية والتعليمات للمستقبل.

يقصد بمصطلح «العدة الكهربائية» المستخدم في الملاحظات التحذيرية، العدد الكهربائية الموصولة بالشبكة الكهربائية (بواسطة كابل الشبكة الكهربائية) وأيضاً العدد الكهربائية المزودة بمركم (دون كابل الشبكة الكهربائية).

الأمان بمكان الشغل

◀ حافظ على نظافة مكان شغلك وإضاءةه بشكل جيد. الفوضى في مكان الشغل ونظافات العمل غير المضاءة قد تؤدي إلى وقوع الحوادث.

◀ لا تشتغل بالعدة الكهربائية في نطاق معرض لخطر الانفجار مثل الأماكن التي تتوفر فيه السوائل أو الغازات أو الأغبرة القابلة للاشتعال. العدد الكهربائية تولد شررا قد يتطاير، فيشعل الأغبرة والأبخرة.

◀ حافظ على بقاء الأطفال وغيرهم من الأشخاص بعيدا عندما تستعمل العدة الكهربائية. تشتت الانتباه قد يتسبب في فقدان السيطرة على الجهاز.

الأمان الكهربائي

◀ يجب أن يتلائم قابس العدة الكهربائية مع المقبس. لا يجوز تغيير القابس بأي حال من الأحوال. لا تستعمل القوايس المهابطة مع العدد الكهربائية المؤرضة (ذات طرف أرضي). تخفض القوايس التي لم يتم تغييرها والمقابس الملائمة من خطر الصدمات الكهربائية.

◀ تجنب ملامسة جسمك للأسطح المؤرضة كالأبواب والمبردات والمواقد أو التلآجات. يزداد خطر الصدمات الكهربائية عندما يكون جسمك مؤرض أو موصل بالأرضي.

◀ أبعد العدة الكهربائية عن الأمطار أو الرطوبة. يزداد خطر الصدمات الكهربائية إن تسرب الماء إلى داخل العدة الكهربائية.

◀ لا تسئ استعمال الكابل. لا تستخدم الكابل في حمل العدة الكهربائية أو سحبها أو سحب القابس من المقبس. احرص على إبعاد الكابل عن الحرارة والزيت والمواف المادية أو الأجزاء المتحركة. تزيد الكابلات التالفة أو المتشابكة من خطر الصدمات الكهربائية.

◀ عند استخدام العدة الكهربائية خارج المنزل اقتصر على استخدام كابلات التمديد الصالحة

دورانها بشكل حر دون لمس قطعة الشغل، مما قد يؤدي لوقوع إصابات.

- ◀ **احرص دائماً على بدء الثقب بسرعة منخفضة بحيث تكون رأس الريشة ملامسة لقطعة الشغل.** فعلى السرعات العالية ستكون الريشة معرضة للثني في حالة دورانها بشكل حر دون لمس قطعة الشغل، مما قد يؤدي لوقوع إصابات.
- ◀ **لا تضغط إلا على خط واحد مع الريشة، ولا تضغط بشكل زائد.** فقد تنثني الريشة، وتعرض للكسر أو تسبب فقدان السيطرة، مما قد يؤدي لوقوع إصابات.

إرشادات الأمان الإضافية

- ◀ **احرص على تأمين قطعة الشغل.** قطعة الشغل المثبتة بواسطة تجهيزة شدّ أو بواسطة الملزمة مثبتة بأمان أكبر مما لو تم الإمساك بها بواسطة يدك.
- ◀ **أوقف العدة الكهربائية على الفور في حالة تعرض عدة الشغل للانحصار. كن مستعداً لمواجهة عزم رد الفعل العالية، والتي تسبب صدمة ارتدادية.** تنحصر عدة الشغل عندما يتم التحميل بشكل زائد على العدة الكهربائية أو إذا انقلمت في قطعة الشغل التي تعمل عليها.
- ◀ **استخدم أجهزة تنقيب ملائمة للعثور على خطوط الامداد غير الظاهرة، أو استعن بشركة الامداد المملية.** ملامسة الخطوط الكهربائية قد تؤدي إلى اندلاع النار وإلى الصدمات الكهربائية. حدوث أضرار ببط الغاز قد يؤدي إلى حدوث انفجارات. اختراق خط الماء يشكل الأضرار المادية أو قد يؤدي إلى الصدمات الكهربائية.
- ◀ **انتظر إلى أن تتوقف العدة الكهربائية عن الحركة قبل أن تضعها جانباً.** قد تتكلم عدة الشغل فتؤدي إلى فقدان السيطرة على العدة الكهربائية.

وصف المنتج والأداء

- ◀ **اقرأ جميع إرشادات الأمان والتعليمات.** ارتكاب الأخطاء عند تطبيق إرشادات الأمان والتعليمات، قد يؤدي إلى حدوث صدمات كهربائية أو إلى نشوب الحرائق و/أو الإصابة بجروح خطيرة.



يرجى الرجوع إلى الصور الموجودة في الجزء الأول من دليل التشغيل.

الاستعمال المخصص

العدة الكهربائية مخصصة للثقب في الخشب والمعادن والخزف واللدائن.

العدة الكهربائية مخصصة لخلط مواد البناء الحبيبية كالملاط وطبقة المارة (التليس) والمواد اللاصقة وأيضاً الطلاء والدهانات الخالي من المواد المذيبة وما شابه.

الأجزاء المصورة

يشير ترقيم الأجزاء المصورة إلى رسوم العدة الكهربائية الموجودة في صفحة الرسوم التخطيطية.

- (1) طرف المثقاب المسنن الطوق^(A)
- (2) مقبض إضافي (سطح قبض معزول)

الممكن التحكم بها عن طريق مفتاح التشغيل والإطفاء تعتبر خطيرة ويجب أن يتم إصلاحها.

- ◀ **اسحب القابض من المقبض و/أو اخلع المرمك، إذا كان قابلاً للخلع، قبل ضبط الجهاز وقبل استبدال الملحقات أو قبل تخزين الجهاز.** تمنع هذه الإجراءات وقائية تشغيل العدة الكهربائية بشكل غير مقصود.

- ◀ **احتفظ بالعدد الكهربائية التي لا يتم استخدامها بعيداً عن متناول الأطفال.** لا تسمح باستخدام العدة الكهربائية لمن لا خبرة له بها أو لمن لم يقرأ تلك التعليمات. العدد الكهربائية خطيرة إن تم استخدامها من قبل أشخاص دون خبرة.

- ◀ **اعتن بالعدة الكهربائية والملحقات بشكل جيد.** تأكد أن أجزاء الجهاز المتحركة مركبة بشكل سليم وغير مستعصية عن الحركة، وتفحص ما إن كانت هناك أجزاء مكسورة أو في حالة تؤثر على سلامة أداء العدة الكهربائية. ينبغي إصلاح هذه الأجزاء التالفة قبل إعادة تشغيل الجهاز. الكثير من الحوادث مصدرها العدد الكهربائية التي تتم صيانتها بشكل رديء.

- ◀ **احرص على إبقاء عدد القطع نظيفة وحادة.** إن عدد القطع ذات حواف القطع الحادة التي تم صيانتها بعناية تتكلم بشكل أقل ويمكن توجيهها بشكل أيسر.

- ◀ **استخدم العدد الكهربائية والتوابع وريش الشغل إلخ. وفقاً لهذه التعليمات.** تراعى أثناء ذلك ظروف الشغل والعمل المراد تنفيذه. استخدام العدد الكهربائية لغير الأشغال المخصصة لأجلها قد يؤدي إلى حدوث الحلات الخطيرة.

- ◀ **احرص على إبقاء المقابض وأسطح المسك جافة ونظيفة وخالية من الزيوت والشحوم.** المقابض وأسطح المسك الزلقة لا تتيح التشغيل والتحكم الأمان في العدة في المواقف غير المتوقعة.

الخدمة

- ◀ **احرص على إصلاح عدتك الكهربائية فقط بواسطة العمال المتخصصين وباستعمال قطع الغيار الأصلية فقط.** يضمن ذلك المحافظة على أمان الجهاز.

تحذيرات الأمان للمثاقب

تعليمات الأمان لكافة التطبيقات

- ◀ **استخدم المقبض (المقابض) الإضافية إذا كانت العدة مزودة بها.** فقدان السيطرة على المعدة قد يتسبب في حدوث إصابات.

- ◀ **أمسك العدة الكهربائية من أسطح المسك المعزولة عند القيام بأعمال قد يترتب عليها ملامسة ملحق القطع لأسلاك كهربائية غير ظاهرة أو للسلك الخاص بالعدة نفسها.** ملامسة ملحق القطع لسلك «مكهرب» قد يتسبب في مرور التيار في الأجزاء المعدنية من العدة وجعلها «مكهربة» مما قد يصيب المشغل بصدمة كهربائية.

- ◀ **تعليمات الأمان عند استخدام ريش ثقب طويلة**
- ◀ **لا تقم أبداً بالتشغيل بسرعة أعلى من السرعة القصوى المقررة لريشة الثقب.** فعلى السرعات العالية ستكون الريشة معرضة للثني في حالة

ظرف المثقاب المسنن الطوق بالإقفال الآلي
افتح ظرف المثقاب المسنن الطوق (1) من خلال فتله إلى أن تتمكن من تلقيم العدة.
ركب عدة الشغل. ثبت مفتاح ظرف المثقاب (9) في الفجوات المخصصة بظرف المثقاب المسنن الطوق (1) واحكم شد العدة بشكل متوازن.

تغيير ظرف ريش الثقب (انظر الصورة C)

◀ اسحب القابس من مقبس الشبكة الكهربائية قبل إجراء أي عمل على العدة الكهربائية.

خلع لولب التأمين

تم تأمين ظرف المثقاب المسنن الطوق (1) ضد الفك غير المقصود من محور دوران المثقاب بواسطة لولب التأمين (10).

افتح ظرف المثقاب المسنن الطوق (1) بشكل كامل و قم بفك لولب التأمين (10) بإدارته في اتجاه عقارب الساعة. يراعى بأن أسنان لولبة لولب التأمين يسارية.

عند استعصاء لولب التأمين (10) ضع مفك براغي على رأس اللولب و قم بفك لولب التأمين من خلال طريقة على مقبض مفك البراغي.

فك ظرف المثقاب

لفك ظرف المثقاب المسنن الطوق (1) ضع مفتاح هلال (17 SW) على الصامولة بمحور الدوران.

أمسك ظرف المثقاب المسنن الطوق بإحدى يديك وأدر باليد الأخرى المفتاح الهلالي عكس اتجاه حركة عقارب الساعة إلى أن ينفك ظرف ريش الثقب من مخروط محور دوران المثقاب.

تركيب ظرف ريش الثقب

◀ حافظ على إبقاء مخروط محور دوران المثقاب وثقب ظرف ريش الثقب خاليين من الشحم والأوساخ.

من أجل تركيب ظرف المثقاب المسنن الطوق (1) أدر الصامولة بمحور الدفع باتجاه حركة عقارب الساعة حتى المصد.

قم بتركيب ظرف المثقاب المسنن الطوق على محور الدفع دون استعمال العنف، إلى أن يثبت بإحكام.

اطرق على مقدمة ظرف المثقاب المسنن الطوق (1) بخفة بواسطة مطرقة مطاطية، لضمان ارتكاز ظرف المثقاب المسنن الطوق بأمان. احرص أثناء ذلك على ألا تبرز فكا قمت ظرف المثقاب المسنن الطوق إلى الأمام، لكي لا يتلف الظرف.

تركيب لولب التأمين

قم بربط لولب التأمين (10) في ظرف المثقاب المسنن الطوق المقنوع بإدارته عكس اتجاه عقارب الساعة. استخدم في كل مرة برغي جديد، حيث توجد مادة تأمين لاصقة على اللولب الخاص به، تفقد تأثيرها في حالة استعمالها أكثر من مرة.

شفط الغبار/النشارة

إن أغبرة بعض المواد كإطلاء الذي يحتوي على الرصاص، وبعض أنواع الخشب والفلاتر والمعادن، قد تكون مضرّة بالصحة. إن ملامسة أو استنشاق الأغبرة قد يؤدي إلى ردود فعل زائدة الحساسية و/

- (3) أسنان لولبة المقبض الإضافي
- (4) مقبض إضافي (سطح قبض معزول)
- (5) زر تثبيت مفتاح التشغيل والإطفاء
- (6) مفتاح التشغيل والإطفاء
- (7) مفتاح تحويل اتجاه الدوران
- (8) مقبض (مقبض مسك معزول)
- (9) مفتاح ظرف المثقاب^(A)

(10) لولب تأمين ظرف المثقاب المسنن الطوق

(A) لا يتضمن إطار التوريد الاعتيادي التوابع المصورة أو المشروحة. تجد التوابع الكاملة في برنامجنا للتوابع.

البيانات الفنية

مثقاب		GBM 1600 RE
رقم الصنف		3 601 AB0 0..
قدرة الدخل الاسمية	واط	850
عدد اللغات الاحتملي	دقيقة ⁻¹	630
عزم الدوران الاسمي	نيوتن متر	11
عنى محور الدوران	مم	43
أقصى قطر ثقب		
- فولاذ	مم	16
- خشب	مم	40
- ألومنيوم	مم	16
مجال شد ظرف المثقاب	مم	3-16
دوران يميني/يساري		●
أقصى قطر لسلة الخلط	مم	160
الوزن حسب EPTA-Procedure 01:2014	كجم	3,0
فئة الحماية		II/□

تسري البيانات على جهد اسمي [U] يبلغ 230 فلت. قد تختلف تلك البيانات حسب اختلاف الجهد والطرقات الخاصة بكل دولة.

التركيب

◀ اسحب القابس من مقبس الشبكة الكهربائية قبل إجراء أي عمل على العدة الكهربائية.

مقبض إضافي (انظر الصورة A)

◀ استخدم عدتك الكهربائية مع المقابض الإضافية (2) و(4).

قم بربط المقبض الإضافي (2) في اللولب (3) الموجود في علبه المحرك.

يمكن إدارة المقبض الإضافي (4) بلا درجات بزواية 360°.

استبدال العدد (انظر الصورة B)

◀ ارتد قفازات واقية عند استبدال العدة. قد يصعب ظرف المثقاب ساخناً جداً عند تنفيذ إجراءات العمل لفترة طويلة.

قم بعمل ثقب أولي في حالة أقطار الثقب < 10 مم. يمكن تقليل ضغط الارتكاز بذلك، مما يخفف تحميل العدة الكهربائية.

استخدم عند تثقيب المعادن فقط لقم التثقيب (HSS) الفولاذ العالي القدرة والسريع القطع). يضمن برنامج توابع بوش الجودة المناسبة. وتسمح ملزمة الآلات المتوفرة ضمن برنامج التوابع بشد قطعة الشغل بشكل آمن. ويمنع ذلك دوران قطعة الشغل والمواد الناتجة عن ذلك.

إرشادات الخط

- ◀ لا تستخدم العدة الكهربائية داخل حامل.
- ◀ تجنب تبعثر مادة الخلط. فقد تتعرض للانزلاق وتفقد السيطرة على العدة الكهربائية.
- ◀ تجنب التشغيل المستمر للعدة الكهربائية بعدد لفات منخفض. وإلا فقد يتعرض محرك العدة الكهربائية للسخونة المفرطة.

لتحرير مفتاح التثبيت (5) اضغط على زر التشغيل/الإطفاء (6) لوهلة قصيرة ثم اتركه. وبذلك تتم إعاقة إعادة التشغيل غير المقصودة للعدة الكهربائية (خطر الإصابة).

يرتبط اختيار سلة الخلط بالمواد المراد خلطها. للمواد المراد خلطها ذات نسبة اللزوجة المنخفضة مثل اللدائن المستحلبة والدهان والمواد اللاصقة والمركبات مانعة التسرب والأسمت الرخو استخدم أداة خلط بملزون يساري. في أداة الخلط بملزون يساري يتم نقل المادة من أعلى إلى أسفل. يتم ضغط أداة الخلط إلى أعلى. ينتج عن خلط المواد المراد خلطها ذات اللزوجة المنخفضة قليل من الرذاذ. للمواد عالية اللزوجة المراد خلطها مثل طلاء التشطيب والخرسانة والأسمت ومادة تبطين الأرضيات والمعجون وراتنج الإيبوكسدي استخدم أداة خلط بملزون يميني. في أداة الخلط بملزون يميني يتم نقل المادة من أسفل إلى أعلى. تعمل أداة الخلط داخل الخليط. يتم خلط المواد المراد خلطها بشكل مثالي. حرك العدة الكهربائية أثناء العمل لأعلى وأسفل. نظف أداة الخلط بعد الاستعمال.

- ◀ قم بتخزين العدة الكهربائية في مكان آمن. احرص على عدم سقوطها. وإلا، فقد تتعرض العدة الكهربائية للضرر.

الصيانة والخدمة

الصيانة والتنظيف

- ◀ اسحب القابس من مقبس الشبكة الكهربائية قبل إجراء أي عمل على العدة الكهربائية.
 - ◀ للعمل بشكل جيد وآمن حافظ دائماً على نظافة العدة الكهربائية وفتحات التهوية.
- إن تطلب الأمر استبدال كابل التوصيل، فينبغي أن يتم ذلك من قبل شركة بوش أو من قبل مركز خدمة عملاء وكالة بوش للعدد الكهربائية، لتجنب التعرض للمخاطر.

خدمة العملاء واستشارات الاستخدام

يجب مركز خدمة العملاء على الأسئلة المتعلقة بإصلاح المنتج وصيانتها، بالإضافة لقطع الغيار. تجد الرسوم

أو إلى أمراض المجاري التنفسية لدى المستخدم أو لدى الأشخاص المتواجدين على مقربة من المكان. تعتبر بعض الأغبرة المعينة، كأغبرة البلوط والزرا من مسببات السرطان، وبالأخص عند اتصالها بالمواد الإضافية الخاصة بمعالجة الخشب (ملح حامض الكروميك، المواد الحافظة للخشب). يجوز أن يتم معالجة المواد التي تحتوي على الأسبستوس من قبل العمال المتخصصين فقط دون غيرهم.

- حافظ على تهوية مكان الشغل بشكل جيد.
- ينصح بارتداء قناع وقاية للتنفس من فئة المرشح P2.

تراعى الأحكام السارية في بلدكم بالنسبة للمواد المرغوب معالجتها.

- ◀ تجنب تراكم الغبار بمكان العمل. يجوز أن تشتعل الأغبرة بسهولة.

التشغيل

بدء التشغيل

- ◀ يراعى جهد الشبكة الكهربائية! يجب أن يتطابق جهد منبع التيار مع البيانات المذكورة على لوحة صنع العدة الكهربائية. يمكن أن يتم تشغيل العدد الكهربائية المميزة بعلامة 230 فلت في مقبس 220 فلت أيضاً.

ضبط اتجاه الدوران (انظر الصورة D)

يمكنك أن تغير اتجاه دوران العدة الكهربائية (7) بواسطة مفتاح تغيير اتجاه الدوران. إلا أنه لا يمكن تغييره عندما يكون مفتاح التشغيل والإطفاء (6) مضغوطاً.

دوران اليمين: لغرض الثقب أو الخلط اضغط على مفتاح تموييل اتجاه الدوران (7) جهة اليسار حتى النهاية.

دوران اليسار: لغرض الفك أو الخلط اضغط على مفتاح تموييل اتجاه الدوران (7) جهة اليمين حتى النهاية.

التشغيل والإطفاء

لغرض تشغيل العدة الكهربائية اضغط على مفتاح التشغيل والإطفاء (6) وحافظ على إبقائه مضغوطاً. لغرض تثبيت مفتاح التشغيل/الإطفاء المضغوط (6)، اضغط على زر التثبيت (5).

لغرض إطفاء العدة الكهربائية، اترك مفتاح التشغيل والإطفاء (6) أو إذا كان مثبتاً عن طريق زر التثبيت (5)، اضغط على مفتاح التشغيل والإطفاء (6) لوهلة قصيرة ثم اتركه.

ضبط عدد الدوران

يمكنك أن تتحكم بعدد دوران العدة الكهربائية قيد التشغيل دون تدريج، حسب مدى الضغط على مفتاح التشغيل والإطفاء (6). يؤدي الضغط الخفيف على مفتاح التشغيل والإطفاء (6) إلى عدد لفات منخفض. يزداد عدد اللفات بزيادة الضغط.

إرشادات الثقب

استخدم مستحلب ثقب أو زيت قطع للتبريد وللتزليق، لكي يتم تجنب فرط إحماء لقمة الثقب أو استعصائها.

هاتف: +9611255211
بريد إلكتروني: service-pt@tehini-hana.com

المغرب

روبرت بوش المغرب ش.ذ.م.م.
53، زنقة الملازم محروود محمد
20300 كازابلانكا
بريد إلكتروني: sav.outillage@ma.bosch.com

عمان

ملتن للتجارة والمقاولات ش.م.م.
صندوق بريد صندوق 131
حي روي، 112 سلطة عُمان
هاتف: +968 99886794
بريد إلكتروني: malatanpowertools@malatan.net

قطر

الدولية لحللول البناء ش.م.م.
صندوق بريد صندوق 51،
هاتف الدوحة: +974 40065458
فاكس: +974 4453 8585
بريد إلكتروني: csd@icsdoha.com

المملكة العربية السعودية

الجفالي وأخوانه للمعدات الفنية (جيتكو)
الكيلو 14، طريق المدينة، منطقة البوادي
21431 جدة
هاتف: +966 2 6672222 فرعي 1528
فاكس: +966 2 6676308
بريد إلكتروني: roland@ejab.com.sa

سوريا

مؤسسة دلال للأدوات الكهربائية
صندوق بريد صندوق 1030
حلب
هاتف: +963212116083
بريد إلكتروني: rita.dallal@hotmail.com

تونس

روبرت بوش تونس ش.ذ.م.م.
7 زنقة ابن بطوطة Z.I. سان جوبان
مقرين رياض
2014 ابن عروس
هاتف: +216 71 427 496/879
فاكس: +216 71 428 621
بريد إلكتروني: sav.outillage@tn.bosch.com

الإمارات العربية المتحدة

المركزية للسيارات والمعدات ذ.م.م، صندوق بريد
صندوق 1984
شارع الوحدة - مبنى صناعاء القديمة
الشارقة
هاتف: +971 6 593 2777
فاكس: +971 6 533 2269
بريد إلكتروني: powertools@centralsmotors.ae

اليمن

مؤسسة أبو الرجال التجارية
صناعاء، شارع الزبيرى. أمام مبنى البرلمان الجديد
هاتف: +967-1-202010
فاكس: +967-1-279029
بريد إلكتروني: tech-tools@abualrejal.com

التفصيلية والمعلومات الخاصة بقطع الغيار في
الموقع: www.bosch-pt.com
يسر فريق Bosch لاستشارات الاستخدام مساعدتك
إذا كان لديك أي استفسارات بخصوص منتجاتنا
وملحقاتها.
www.powerool-portal.de، بوابة الإنترنت للمحرفيين
والعمال اليدويين.
عند إرسال أية استفسارات أو طلبيات بخصوص قطع
غيار يلزم ذكر رقم الصنف ذو الخانات العشر وفقاً
للوحة صنع المنتج.

الجزائر

سيستال
منطقة الحدادين الصناعية
06000 بجاية
هاتف: +213 (0) 982 400 991/2
فاكس: +213 (0) 3 420 1569
بريد إلكتروني: sav@siestal-dz.com

البحرين

مؤسسة حاتم الجفالي للمعدات الفنية.
مملكة البحرين، طريق سترة السريع، منطقة العكر
هاتف: +966126971777-311
فاكس: +97317704257
بريد إلكتروني: h.berjas@ejab.com.sa

مصر

يونيمار
20 مركز خدمات
التجمع الأول - القاهرة الجديدة
هاتف: +20 2224 76091-95
هاتف: +20 2224 78072-73
فاكس: +20222478075
بريد إلكتروني: adelzaki@animaregypt.com

العراق

مجموعة الصهباء للتكنولوجيا
شارع مطار المثنى
بغداد
هاتف: +9647901906953
هاتف دبي: +97143973851
بريد إلكتروني: bosch@sahbatechnology.com

الأردن

الجذور العربية Roots Arabia - الأردن
شارع ناصر بن جميل، المبنى 37 الرابية
11194 عمان
هاتف: +962 6 5545778
بريد إلكتروني: bosch@rootsjordan.com

الكويت

شركة الفرين لتجارة السيارات
منطقة الشويخ الصناعية، مبنى 1، قطعة 16، شارع
رقم 3
صندوق بريد صندوق 164 - 13002 الصفاة
هاتف: 24810844
فاكس: 24810879
بريد إلكتروني: josephkr@aaalmutawa.com

لبنان

طحيني هنا وشركاه ش.ذ.م.م.
صندوق بريد صندوق 449-90
جديده
الدورة-بيروت

التخلص من العدة الكهربائية

ينبغي تسليم العدة الكهربائية والتوابع والعبوة إلى مركز معالجة النفايات بطريقة محافظة على البيئة. لا ترم العدة الكهربائية ضمن النفايات المنزلية.



فقط لدول الاتحاد الأوروبي:

حسب التوجيه الأوروبي EU/2012/19 بصدد الأجهزة الكهربائية والإلكترونية القديمة وتطبيقه ضمن القانون المحلي، ينبغي جمع العدة الكهربائية التي لم تعد صالحة للاستعمال بشكل منفصل، وتسليمها لمركز يقوم بإعادة استغلالها بطريقة محافظة على البيئة.

آفارسى

دستورات ایمنى

نكات ایمنى عمومى برای ابزارهای برقى

4 هشدار کلیه هشدارها، دستورالعملها، تصاویر و مشخصات ارائه شده

به همراه ابزار برقى را مطالعه کنید. اشتباهات ناشی از عدم رعایت این دستورات ایمنى ممکن است باعث برق گرفتگی، سوختگی و یا سایر جراحات های شدید شود.

کلیه هشدارهای ایمنى و راهنماییها را برای آینده خوب نگهداری کنید.

عبارت «ابزار برقى» در هشدارها به ابزارهایی که به پرز برق متصل میشوند (با سیم برق) و یا ابزارهای برقى باترى دار (بدون سیم برق) اشاره دارد.

ایمنى محل کار

محیط کار را تمیز و روشن نگه دارید. محیطهای در هم ریخته یا تاریک احتمال بروز حادثه را افزایش میدهند.

ابزار برقى را در محیطهایی که خطر انفجار وجود دارد و حاوی مایعات، گازها و بخارهای محترقه هستند، به کار نگیرید. ابزارهای برقى جرقههایی ایجاد میکنند که میتوانند باعث آتش گرفتن گرد و غبارهای موجود در هوا شوند.

هنگام کار با ابزار برقى، کودکان و سایر افراد را از دستگاه دور نگه دارید. در صورتیکه حواس شما پرت شود، ممکن است کنترل دستگاه از دست شما خارج شود.

ایمنى الکتریکی

دوشاخه ابزار برقى باید با پرز برق تناسب داشته باشد. هیچگونه تغییری در دوشاخه ایجاد نکنید. مبدل دوشاخه نباید همراه با ابزار برقى دارای اتصال زمین استفاده شود. دوشاخههای اصل و تغییر داده نشده و پرزهای مناسب، خطر برق گرفتگی را کاهش میدهند.

از تماس بدنى با قطعات متصل به سیم اتصال زمین مانند لوله، شوفاژ، اجاق برقى و یخچال خودداری کنید. در صورت تماس بدنى با سطوح و قطعات دارای اتصال به زمین و همچنین تماس شما با زمین، خطر برق گرفتگی افزایش می یابد.

ابزارهای برقى را در معرض باران و رطوبت قرار ندهید. نفوذ آب به ابزار برقى، خطر شوک الکتریکی را افزایش میدهد.

از سیم دستگاه برای مقاصد دیگر استفاده نکنید. هرگز برای حمل ابزار برقى، کشیدن آن یا خارج کردن دوشاخه از سیم دستگاه استفاده نکنید. کابل دستگاه را از حرارت، روغن، لبههای تیز یا قطعات متحرک دور نگه دارید. کابلهای آسیب دیده و یا گره خورده خطر شوک الکتریکی را افزایش میدهند.

هنگام استفاده از ابزار برقى در محیطهای باز، تنها از کابل رابطى استفاده کنید که برای محیط باز نیز مناسب باشد. کابل های رابط مناسب برای محیط باز، خطر برق گرفتگی را کم می کنند.

در صورت لزوم کار با ابزار برقى در محیط و اماکن مرطوب، باید از یک کلید حفاظتی جریان خطا و نشستی زمین (کلید قطع کننده اتصال با زمین) استفاده کنید. استفاده از کلید حفاظتی جریان خطا و نشستی زمین خطر برق گرفتگی را کاهش می دهد.

رعایت ایمنى اشخاص

حواس خود را خوب جمع کنید، به کار خود دقت کنید و با فکر و هوشیاری کامل با ابزار برقى کار کنید. در صورت خستگی و یا در صورتی که مواد مخدر، الکل و دارو استفاده کردهاید، با ابزار برقى کار نکنید. یک لحظه بی توجهی هنگام کار با ابزار برقى، میتواند جراحات های شدیدی به همراه داشته باشد.

از تجهیزات ایمنى شخصی استفاده کنید.

همواره از اینک ایمنى استفاده نمایید.

استفاده از تجهیزات ایمنى مانند ماسک ضد گرد و غبار، کفشهای ایمنى ضد لغزش، کلاه ایمنى و گوشی محافظ متناسب با نوع کار با ابزار برقى، خطر مجروح شدن را کاهش میدهد.

مواظب باشید که ابزار برقى بطور ناخواسته بکار نیفتد. قبل از وارد کردن دوشاخه دستگاه در پرز برق، اتصال آن به باترى، برداشتن آن و یا حمل دستگاه، باید دقت کنید که ابزار برقى خاموش باشد. در صورتی که هنگام حمل دستگاه انگشت شما روی دکمه قطع و وصل باشد و یا دستگاه را در حالت روشن به برق بزنید، ممکن است سوانع کاری پیش آید.

قبل از روشن کردن ابزار برقى، همه ابزارهای تنظیم کننده و آپارها را از روی دستگاه بردارید.

ابزار و آپارهایی که روی بخش های چرخنده دستگاه قرار دارند، میتوانند باعث ایجاد جراحات شوند.

وضعیت بدن شما باید در حالت عادى قرار داشته باشد. برای کار جای مطمئنی برای خود انتخاب کرده و تعادل خود را همواره حفظ کنید. به این ترتیب میتوانید ابزار برقى را در وضعیتهای غیر منتظره بهتر تحت کنترل داشته باشید.

لباس مناسب بپوشید. از پوشیدن لباسهای گشاد و حمل زینت آلات خودداری کنید. موها و لباس خود را از بخشهای در حال چرخش دستگاه دور نگه دارید. لباسهای گشاد، موى بلند و زینت آلات ممکن است در قسمتهای در حال چرخش دستگاه گیر کنند.

در صورتی که تجهیزاتی برای اتصال وسائل مکش گرد و غبار و یا وسیله جمع کننده گرد و غبار ارائه شده است، باید مطمئن شوید که این وسائل درست نصب و استفاده می شوند. استفاده از وسائل مکش گرد و غبار مصونیت شما را در برابر گرد و غبار زیادتر میکند.

آشنایی با ابزار به دلیل کار کردن زیاد با آن نباید باعث سهل انگاری شما و نادیده گرفتن

◀ چنانچه بسته به نوع کار، امکان تماس متعلقات برش با کابلهای برق غیر قابل رؤیت ساختمان یا کابل خود ابزار وجود داشته باشد، بایستی ابزار برقی را از محل دسته و سطوح عایق دار آن در دست بگیرید. تماس متعلقات برش با سیم و کابلی که هادی جریان برق است، می تواند جریان برق را به بخشهای فلزی دستگاه نیز انتقال دهد و باعث برق گرفتگی شود.

دستورالعملهای ایمنی برای هنگام استفاده از متههای بلند

- ◀ هرگز دستگاه را با سرعت بیشتر از حداکثر سرعت مجاز مته به کار نگیرید. در سرعتهای بالاتر، ممکن است مته هنگام چرخش در حالت آزاد و بدون تماس با قطعه کار کج شود و باعث وارد آمدن جراحت گردد.
- ◀ دریل کاری را همیشه هنگامی که مته با قطعه کار در تماس است و با سرعت پایین آغاز کنید. در سرعتهای بالاتر، ممکن است مته هنگام چرخش در حالت آزاد و بدون تماس با قطعه کار کج شود و باعث وارد آمدن جراحت گردد.
- ◀ فشار را فقط هم راستا با مته وارد کنید و از وارد کردن فشار زیاد خودداری نمایید. ممکن است مته کج شود و باعث ایجاد شکستگی یا از دست رفتن کنترل و در نتیجه وارد آمدن جراحت گردد.

سایر راهنمایی های ایمنی

- ◀ قطعه کار را محکم کنید. در صورتیکه قطعه کار به وسیله تجهیزات نگهدارنده و یا بوسیله گیره محکم شده باشد، قطعه کار مطمئن تر نگه داشته میشود، تا اینکه بوسیله دست نگهداشته شود.
- ◀ در صورت بلوکه شدن ابزار برقی، آن را خاموش کنید. نسبت به عکسالعملهای شدیدی که منجر به ضربه برگشتی می شوند، آمادگی داشته باشید. چنانچه فشار زیادی به ابزار برقی وارد شود یا در قطعهکار گیر کند، ابزار برقی بلوکه می شود.
- ◀ برای پیدا کردن لوله ها و سیم های پنهان موجود در ساختمان و محدوده کار، از یک دستگاه ردیاب مخصوص برای یافتن لوله ها و سیمهای تأسیسات استفاده کنید و یا با شرکت های کارهای تأسیسات ساختمان و خدمات مربوطه تماس بگیرید. تماس با کابل و سیمهای برق ممکن است باعث آتشسوزی و یا برق گرفتگی شود. ایراد و آسیب دیدگی لوله گاز میتواند باعث انفجار شود. سوراخ شدن لوله آب، باعث خسارت و یا برق گرفتگی میشود.
- ◀ قبل از کنار گذاشتن ابزار برقی صبر کنید تا دستگاه بطور کامل از کار و حرکت بایستد. ابزار ممکن است به قطعه کار گیر کرده و کنترل ابزار برقی از دست شما خارج شود.

توضیحات محصول و کارکرد

همه دستورات ایمنی و راهنمائیها را بخوانید. اشتباهات ناشی از عدم رعایت این دستورات ایمنی ممکن است باعث برقگرفتگی، سوختگی و یا سایر جراحت های شدید شود.



اصول ایمنی شود. بی دقتی ممکن است باعث بروز جراحاتی در عرض کسری از ثانیه شود.

استفاده صحیح از ابزار برقی و مراقبت از آن

◀ از وارد کردن فشار زیاد روی دستگاه خودداری کنید. برای هر کاری، از ابزار برقی مناسب با آن استفاده کنید. بکار گرفتن ابزار برقی مناسب باعث میشود که بتوانید از توان دستگاه بهتر و با اطمینان بیشتر استفاده کنید.

◀ در صورت ایراد در کلید قطع و وصل ابزار برقی، از دستگاه استفاده نکنید. ابزار برقی که نمی توان آنها را قطع و وصل کرد، خطرناک بوده و باید تعمیر شوند.

◀ قبل از تنظیم ابزار برقی، تعویض متعلقات و یا کنار گذاشتن آن، دوشاخه را از برق بکشید و یا باتری آنرا خارج کنید. رعایت این اقدامات پیشگیری ایمنی از راه افتادن ناخواسته ابزار برقی جلوگیری می کند.

◀ ابزار برقی را در صورت عدم استفاده، از دسترس کودکان دور نگه دارید و اجازه ندهید که افراد ناوارد و یا اشخاصی که این دفترچه راهنما را نخواندهاند، با این دستگاه کار کنند. فرار گرفتن ابزار برقی در دست افراد ناوارد و بی تجربه خطرناک است.

◀ از ابزار برقی و متعلقات خوب مراقبت کنید. مواظب باشید که قسمت های متحرک دستگاه خوب کار کرده و گیر نکند. همچنین دقت کنید که قطعات ابزار برقی شکسته و یا آسیب دیده نباشند. قطعات آسیب دیده را قبل از شروع به کار تعمیر کنید. علت بسیاری از سوانح کاری، عدم مراقبت کامل از ابزارهای برقی می باشد.

◀ ابزار برش را تیز و تمیز نگه دارید. ابزار برشی که خوب مراقبت شده و از لبه های تیز برخوردار است، کمتر در قطعه کار گیر کرده و بهتر قابل هدایت است.

◀ ابزار برقی، متعلقات، متههای دستگاه و غیره را مطابق دستورات این جزوه راهنما به کار گیرید و به شرایط کاری و نوع کار نیز توجه داشته باشید. استفاده از ابزار برقی برای عملیاتی به جز مقاصد در نظر گرفته شده، میتواند به بروز شرایط خطرناک منجر شود.

◀ دستتها و سطوح عایق را همواره خشک، تمیز و عاری از روغن و گریس نگه دارید. دسته های لغزنده مانع ایمنی و کنترل در کار در شرایط غیر منتظره هستند.

سرویس

◀ برای تعمیر ابزار برقی فقط به متخصصین حرفهای رجوع کنید و از قطعات یدکی اصل استفاده نمایید. این باعث خواهد شد که ایمنی دستگاه شما تضمین گردد.

هشدارهای ایمنی برای دریلها

دستورالعملهای ایمنی برای انواع عملیات

◀ از دسته کمکی، در صورتی که به همراه ابزار ارائه شده است استفاده کنید. از دست دادن کنترل بروی ابزار میتواند باعث بروز جراحت شود.

نصب

◀ **پیش از انجام هرگونه کاری بر روی ابزار الکتریکی، دوشاخه اتصال آنرا از داخل پریز برق بیرون بکشید.**

دسته کمکی (رجوع کنید به تصویر A)

◀ **ابزار برقی را تنها با دسته های کمکی (2) و (4) بکار برید.**

دسته ی کمکی (2) را در رزوه ی (3) واقع بر بدنه ی موتور بپیچانید.

دسته ی کمکی (4) یکجا تا 360° قابل چرخش می باشد.

تعویض ابزار (رجوع کنید به تصویر B)

◀ **هنگام تعویض ابزار از دستکش ایمنی استفاده کنید.** سه نظام ممکن است در اثر کار طولانی بیش از حد گرم شود.

سه نظام معمولی (دندانه ای) با قفل خودکار سهنظام معمولی (1) را با چرخاندن باز کنید تا ابزار قرار گیرد.

ابزار را جا گذاری کنید. آچار سهنظام (9) را در سوراخهای مربوط سه نظام (1) قرار دهید و همزمان ابزار را سفت کنید.

تعویض سهنظام (رجوع کنید به تصویر C)

◀ **پیش از انجام هرگونه کاری بر روی ابزار الکتریکی، دوشاخه اتصال آنرا از داخل پریز برق بیرون بکشید.**

نمونه برداشتن پیچ ایمنی

سهنظام مهار سریع یا سهنظام معمولی (1) در برابر باز شدن ناخواسته از شفت توسط یک پیچ ایمنی (10) مصون است.

سهنظام مهار سریع یا سهنظام معمولی (1) را کاملاً باز کنید و پیچ ایمنی (10) را در جهت عقربههای ساعت بیرون بکشید. **توجه داشته باشید که پیچ ایمنی دارای رزوه چپ می باشد.**

چنانچه پیچ ایمنی (10) خیلی سفت است، یک پیچگوشتی را روی سر پیچ قرار دهید و پیچ ایمنی را با یک ضربه روی دسته پیچگوشتی باز کنید.

نمونه برداشتن سه نظام

برای باز کردن سهنظام معمولی (1) یک آچار تخت (عرض دهانه 17 میلیمتر) را روی قرارگاه آچار شفت قرار دهید.

سهنظام معمولی را با یک دست سفت بگیرید و با دست دیگر آچار تخت را در خلاف جهت چرخش عقربههای ساعت بچرخانید تا سهنظام از سر شفت جدا شود.

نصب سه نظام

◀ **قسمت مخروطی شکل (دوکی) محور دریل و سوراخ سه نظام را عاری از چربی، روغن و آلودگی نگاه دارید.**

برای نصب سهنظام معمولی (1) مهره روی شفت ره در جهت چرخش عقربههای ساعت تا انتها بچرخانید.

به تصویرهای واقع در بخشهای اول دفترچه راهنما توجه کنید.

موارد استفاده از دستگاه

این ابزار برقی برای سوراخکاری (مته کاری) در چوب، فلز، سرامیک و مواد پلاستیکی در نظر گرفته شده است.

ابزار برقی جهت به هم زدن مواد ساختمانی پودری مانند ملاط، آندود، چسب و رنگهای بدون حلال، لاک و سایر مواد مشابه در نظر گرفته شده است.

اجزاء دستگاه

شماره های اجزاء دستگاه که در تصویر مشاهده میشوند، مربوط به شرح ابزار برقی می باشد که تصویر آن در این دفترچه آمده است.

- (1) سه نظام معمولی (دندانه ای)^(A)
 - (2) دسته کمکی (دسته های عایق)
 - (3) رزوه برای دسته کمکی
 - (4) دسته کمکی (دسته های عایق)
 - (5) دکمه قفل و تثبیت کلید قطع و وصل دستگاه
 - (6) کلید قطع و وصل
 - (7) کلید تغییر جهت چرخش
 - (8) دسته (دارای سطح عایق)
 - (9) آچار سهنظام مهار^(A)
 - (10) پیچ ایمنی برای سه نظام معمولی (سه نظام دندانه ای)
- (A) کلیه متعلقاتی که در تصویر و یا در متن آمده است، بطور معمول همراه دستگاه ارائه نمی شود. لطفاً لیست کامل متعلقات را از فهرست برنامه متعلقات اقتباس نمایید.

مشخصات فنی

دستگاه دریل ساده		GBM 1600 RE
شماره فنی	3 601 AB0 0..	
قدرت ورودی نامی	W	850
سرعت در حالت آزاد	دقیقه ¹	630
گشتاور نامی	Nm	11
قطر محور دستگاه	میلیمتر	43
بیشترین قطر سوخکاری		
- فولاد	میلیمتر	16
- چوب	میلیمتر	40
- آلومینیوم	میلیمتر	16
دامنه مهار سه نظام	میلیمتر	3-16
چرخش راست گرد/ چپ گرد	●	
حداکثر قطر مته ی همزن	میلیمتر	160
وزن مطابق استاندارد EPTA-Procedure 01:2014	kg	3,0
کلاس ایمنی	II/□	

مقادیر برای ولتاژ نامی [U] 230 ولت میباشد. برای ولتاژهای مختلف و تولیدات مخصوص کشورها، ممکن است این مقادیر، متفاوت باشند.

سه نظام معمولی (دندانه ای) را بدون اعمال فشار، روی محور قرار دهید تا بخوبی و بطور محکم در آن جای گیرد.

با یک چکش پلاستیکی نرم روی پیشانی سه نظام معمولی (1) ضربه بزنید تا از نشستن محکم سه نظام مطمئن شوید. برای جلوگیری از آسیب دیدن سه نظام معمولی (دندانه ای)، توجه داشته باشید که قسمت مهار کننده سه نظام معمولی بیرون قرار نداشته باشد.

نصب پیچ ایمنی

پیچ ایمنی (10) را در خلاف جهت عقربه های ساعت در سه نظام دندانه ای ببچانید. هر بار از یک پیچ ایمنی نو استفاده کنید، چون چسب پیچهای قبلی خشک شده و تأثیر ایمنی خود را از دست داده است.

مکش گرد، براده و تراشه

گرد و غبار موادی مانند رنگ های دارای سرب، بعضی از چوب ها، مواد معدنی و فلزات میتوانند برای سلامتی مضر باشند. دست زدن و یا تنفس کردن گرد و غبار ممکن است باعث بروز آلرژی و یا بیماری مجاری تنفسی شخص استفاده کننده و یا افرادی که در آن نزدیکی میباشند، بشود.

گرد و غبارهای مخصوصی مانند گرد و غبار درخت بلوط و یا درخت راش سرطان زا هستند، بخصوص ترکیب آنها با سایر موادی که برای کار بر روی چوب (کرومات، مواد برای محافظت از چوب) بکار برده میشوند. فقط افراد متخصص مجازند با موادی که دارای آزیست میباشند کار کنند.

- توجه داشته باشید که محل کار شما از تهویه هوای کافی برخوردار باشد.

- توصیه میشود از ماسک تنفسی ایمنی با درجه فیلتر P2 استفاده کنید.

به قوانین و مقررات معتبر در کشور خود در رابطه با استفاده از مواد و قطعات کاری توجه کنید.

◀ از تجمع گرد و غبار در محل کار جلوگیری کنید. گرد و غبار می توانند به آسانی مشتعل شوند.

طرز کار با دستگاه

راه اندازی و نحوه کاربرد دستگاه

◀ به ولتاژ شبکه برق توجه کنید! ولتاژ منبع جریان برق باید با مقادیر موجود بر روی برچسب ابزار الکتریکی مطابقت داشته باشد. ابزارهای برقی را که با ولتاژ V 230 ولت مشخص شده اند، می توان تحت ولتاژ V 220 ولت نیز بکار برد.

نحوه تنظیم جهت چرخش (رجوع کنید به تصویرD)

توسط دکمه تعویض جهت چرخش (7) می توان جهت چرخش ابزار برقی را تغییر داد. هنگامی که کلید قطع و وصل (6) فشرده شده است، این امر ممکن نیست.

راستگرد: جهت سوراخکاری یا همزدن کلید تغییر جهت چرخش (7) را به طرف چپ تا انتها فشار دهید.

چپگرد: جهت باز کردن یا همزدن کلید تغییر جهت چرخش (7) را به طرف راست تا انتها فشار دهید.

نحوه روشن و خاموش کردن

برای **راهاندازی** ابزار برقی، کلید قطع و وصل (6) را فشار داده و آنرا در حالت فشرده نگاهدارید.

برای **ثابت کردن** کلید قطع و وصل فشرده شده (6) دکمه ی تثبیت (5) را فشار دهید.

جهت **خاموش کردن** ابزار برقی، کلید قطع و وصل (6) را رها کنید یا در صورت قفل بودن دکمه تثبیت (5) کلید قطع و وصل (6) را کوتاه فشار دهید و آن را رها کنید.

تنظیم سرعت (دور موتور)

سرعت ابزار برقی را می توان با فشردن دلفواه کلید قطع و وصل (6) تنظیم کرد.

فشار کم روی کلید قطع و وصل (6) سرعت کاهش میابد. افزایش فشار بر روی کلید قطع و وصل باعث افزایش سرعت میشود.

راهنمایی جهت سوراخکاری

جهت خنک کردن یا چرب کردن از روغن یا مایع چربکننده مته استفاده کنید تا از گیرکردن یا داغ شدن مته جلوگیری کنید.

برای سوراخکاری با قطر < 10 میلیمتر با ابتدا با مته کمقطر سوراخکاری کنید. از این طریق نیاز به فشار زیاد هنگام سوراخکاری نیست و به ابزار برقی هم فشار کمتری وارد می شود.

هنگام سوراخکاری در فلز تنها از متههای HSS بینقص و تیزشده (HSS=برش سریع و پرتوان فولادی) استفاده کنید. لیست ابزار و متعلقات شرکت بوش تضمین کننده بهترین کیفیت ابزار میباشد.

با گیره اتصال دستگاه که بطور جداگانه عرضه میشود، میتوان قطعه کار را بطور مطمئن محکم مهار نمود. این از کج شدن قطعه و سوانح احتمالی جلوگیری بعمل می آورد.

راهنمایی جهت همزدن

◀ این ابزار برقی را بوسیله یک پایه برش بکار نبرید.

◀ از پاشش مواد مخلوط جلوگیری کنید. در غیر اینصورت امکان سُر خوردن و از دست دادن کنترل روی ابزار برقی وجود دارد.

◀ از استفاده ی طولانی ابزار برقی با دور کم اجتناب کنید. در غیر اینصورت ممکن است موتور دستگاه داغ شود.

برای رها کردن دکمه ی تثبیت (5) کلید قطع و وصل (6) را کوتاه بفشارید و آن را رها کنید. اینگونه از به راه افتادن ناخواسته ی ابزار برقی جلوگیری می شود (خطر جراحت).

انتخاب مته ی همزن به ماده ی مخلوط شونده بستگی دارد.

برای ماده مخلوط شونده با غلظت پایین مانند رنگ، لاک، چسب، مخلوط ریخته گری، سیمان، از یک مته ی همزن با پره ی چپ استفاده کنید. با مته ی دارای پره ی چپ، ماده از بالا به پایین مخلوط می شود. مته ی همزن از بالا فشرده می شود. ماده ی مخلوط شونده با غلظت پایین بدون وریاش همزده می شود.

فقط برای کشورهای عضو اتحادیه اروپا:

طبق آئین نامه و دستورالعمل اروپائی EU/2012/19 در باره دستگاههای کهنه الکتریکی و الکترونیکی و تبدیل آن به حق ملی، باید ابزارهای برقی غیرقابل استفاده را جداگانه جمع آوری کرد و نسبت به بازیافت مناسب با محیط زیست اقدام بعمل آورد.

برای ماده ی مخلوط با غلظت بالا مانند بتن، سیمان، ملات، بتونه، اپوکسید هارترز از مته ی همزن با پره ی راست استفاده کنید. با مته ی دارای پره ی راست، ماده از پایین به بالا مخلوط می شود. مته ی همزن با مخلوط همزمان می چرخند. ماده ی مخلوط با غلظت بالا به صورت بهینه همزده می شود.

ابزار برقی را هنگام کار بالا و پایین کنید. مته همزن را پس از استفاده تمیز کنید.

◀ **ابزار برقی را در یک محل مطمئن نگهداری کنید.** دقت کنید که هنگام نگهداری ابزار به زمین نیفتد. در غیر اینصورت امکان آسیب دیدن ابزار برقی وجود دارد.

مراقبت و سرویس

مراقبت، تعمیر و تمیز کردن دستگاه

◀ **پیش از انجام هرگونه کاری بر روی ابزار الکتریکی، دوشاخه اتصال آنرا از داخل پریز برق بیرون بکشید.**

◀ **ابزار الکتریکی و شیارهای تهویه آنرا تمیز نگاه دارید، تا ایمنی شما در کار تضمین گردد.**

در صورت نیاز به یک کابل بدکی برای اتصال به شبکه برق، بایستی به شرکت بوش و یا به نمایندگی مجاز بوش (خدمات پس از فروش) برای ابزار آلات برقی بوش مراجعه کنید تا از بروز خطرات ایمنی جلوگیری بعمل آید.

خدمات و مشاوره با مشتریان

دفتر خدمات پس از فروش به سئوالات شما در باره تعمیرات، سرویس و همچنین قطعات بدکی و متعلقات پاسخ خواهد داد. نقشه های سه بعدی و اطلاعات در مورد قطعات بدکی را در تارنمای زیر مییابید: www.bosch-pt.com

تیم مشاوره کاربری Bosch به سئوالات شما در مورد محصولات ما و متعلقات آنها پاسخ می دهد. www.powertool-portal.de، سامانه اینترنتی برای صنعتگران و مشاغل فنی.

برای هرگونه سؤال و یا سفارش ابزار بدکی و متعلقات، حتماً شماره فنی ده رقمی کالا را مطابق برچسب روی ابزار برقی اطلاع دهید.

ایران

روبرت بوش ایران - شرکت بوش تجارت پارس میدان ونک، خیابان شهید خدای، خیابان آفتاب ساختمان مادیران، شماره 3، طبقه سوم.

تهران 1994834571

تلفن: 42039000 +9821

از رده خارج کردن دستگاه

ابزار برقی، متعلقات و بسته بندی آن، باید طبق مقررات حفظ محیط زیست از رده خارج و بازیافت شوند.

ابزارهای برقی را داخل زباله دان خانگی نیاندازید!



