

Robert Bosch Power Tools GmbH
70538 Stuttgart
GERMANY

www.bosch-pt.com

1 609 92A 57N (2019.07) PS / 56



1 609 92A 57N

GBG 60-20 Professional

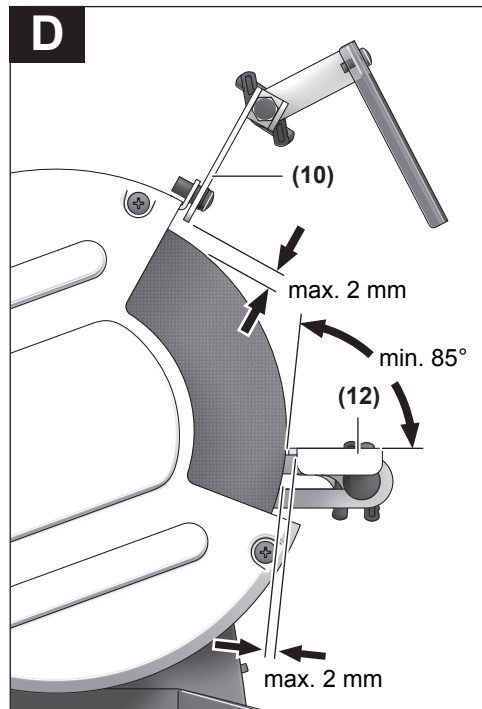
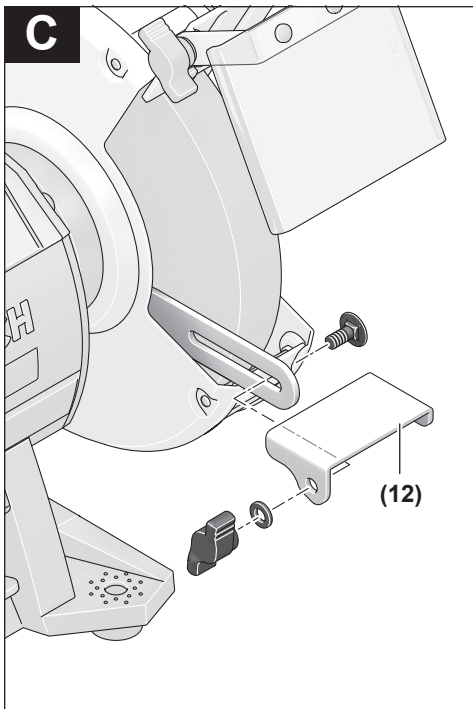
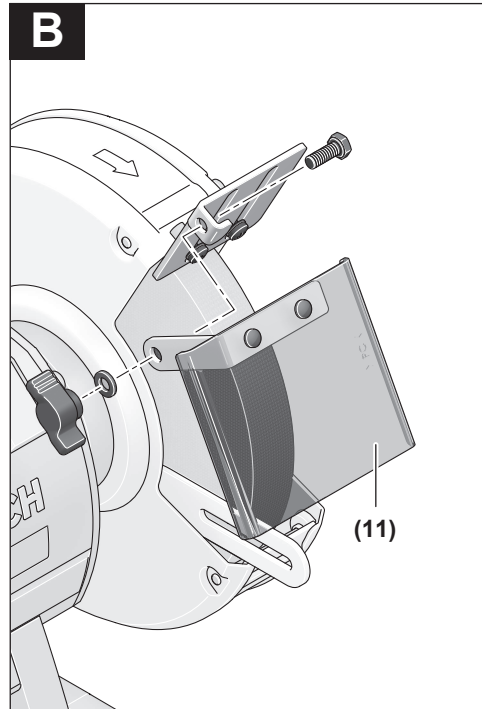
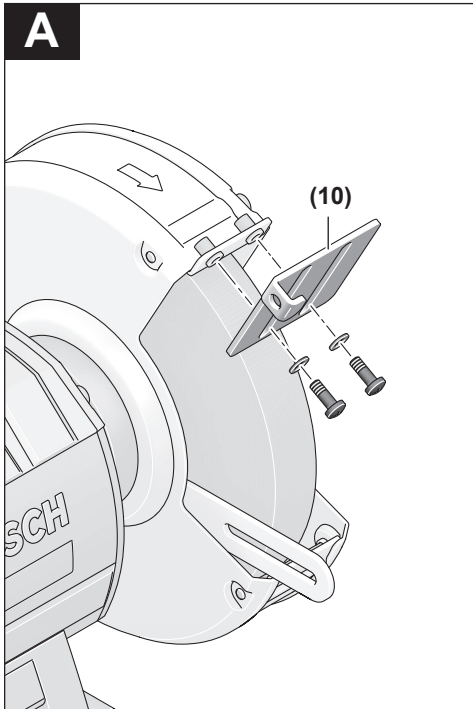
HEAVY
DUTY

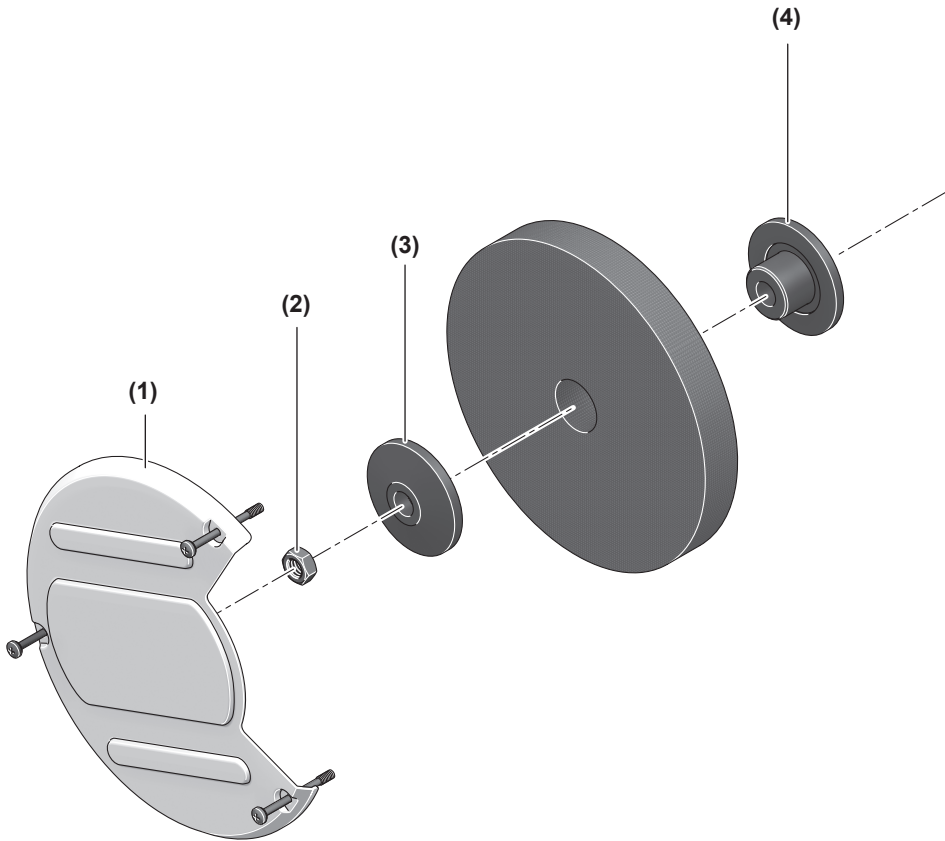


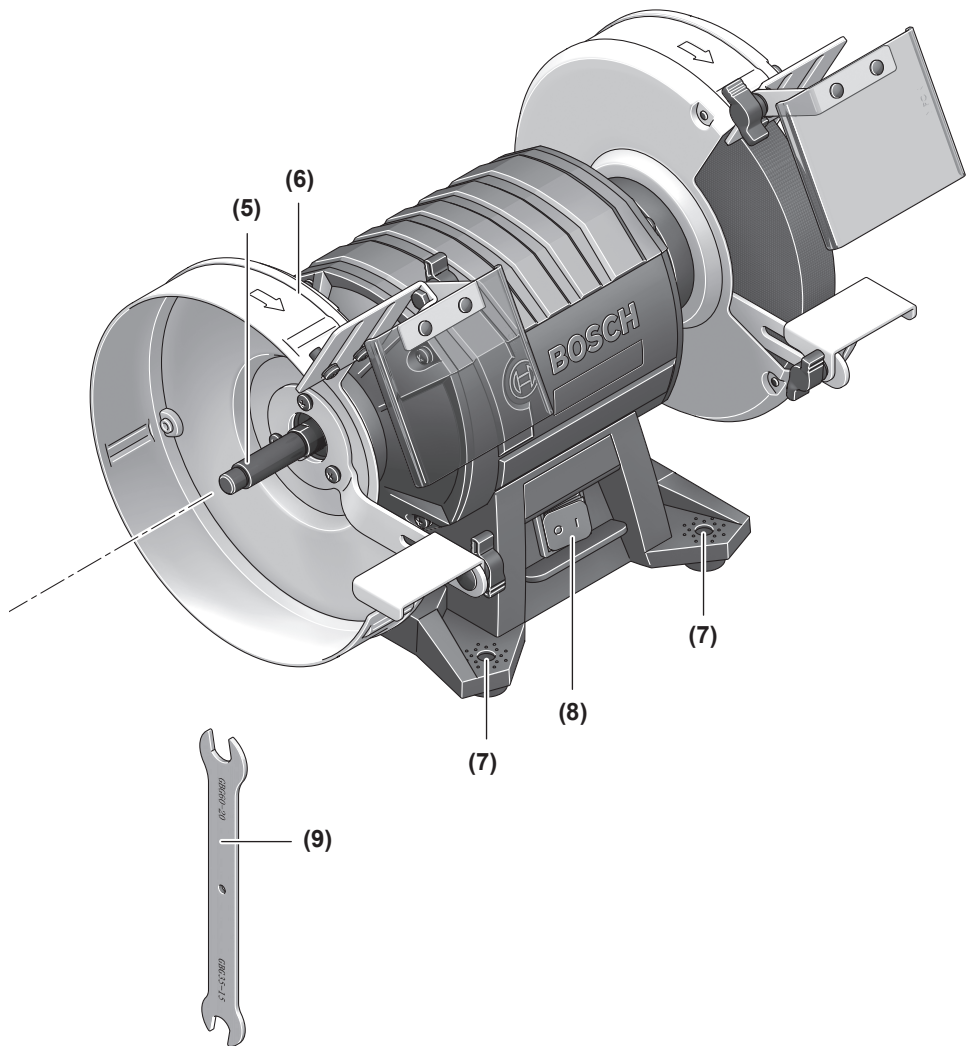
BOSCH

- en Original instructions
- fr Notice originale
- pt Manual original
- zh 正本使用说明书
- zh 原始使用說明書
- th หนังสือคู่มือการใช้งาน
ต้นแบบ
- id Petunjuk-Petunjuk untuk Penggun-
aan Orisinal
- vi Bản gốc hướng dẫn sử dụng
- ar دليل التشغيل الأصلي
- fa دفترچه راهنمای اصلی

English	Page	6
Français	Page	12
Português	Página	17
中文	頁	22
繁體中文	頁	26
ไทย	หน้า	30
Bahasa Indonesia	Halaman	35
Tiếng Việt	Trang	39
عربي	الصفحة	45
فارسی	صفحه	51





**GBG 60-20**

English

Safety instructions

General Power Tool Safety Warnings

⚠ WARNING Read all safety warnings, instructions, illustrations and specifications provided with this power tool. Failure to follow all instructions listed below may result in electric shock, fire and/or serious injury.

Save all warnings and instructions for future reference.

The term "power tool" in the warnings refers to your mains-operated (corded) power tool or battery-operated (cordless) power tool.

Work area safety

- ▶ **Keep work area clean and well lit.** Cluttered or dark areas invite accidents.
- ▶ **Do not operate power tools in explosive atmospheres, such as in the presence of flammable liquids, gases or dust.** Power tools create sparks which may ignite the dust or fumes.
- ▶ **Keep children and bystanders away while operating a power tool.** Distractions can cause you to lose control.

Electrical safety

- ▶ **Power tool plugs must match the outlet. Never modify the plug in any way. Do not use any adapter plugs with earthed (grounded) power tools.** Unmodified plugs and matching outlets will reduce risk of electric shock.
- ▶ **Avoid body contact with earthed or grounded surfaces, such as pipes, radiators, ranges and refrigerators.** There is an increased risk of electric shock if your body is earthed or grounded.
- ▶ **Do not expose power tools to rain or wet conditions.** Water entering a power tool will increase the risk of electric shock.
- ▶ **Do not abuse the cord. Never use the cord for carrying, pulling or unplugging the power tool. Keep cord away from heat, oil, sharp edges or moving parts.** Damaged or entangled cords increase the risk of electric shock.
- ▶ **When operating a power tool outdoors, use an extension cord suitable for outdoor use.** Use of a cord suitable for outdoor use reduces the risk of electric shock.
- ▶ **If operating a power tool in a damp location is unavoidable, use a residual current device (RCD) protected supply.** Use of an RCD reduces the risk of electric shock.

Personal safety

- ▶ **Stay alert, watch what you are doing and use common sense when operating a power tool. Do not use a power tool while you are tired or under the influence of drugs, alcohol or medication.** A moment of inatten-

tion while operating power tools may result in serious personal injury.

- ▶ **Use personal protective equipment. Always wear eye protection.** Protective equipment such as a dust mask, non-skid safety shoes, hard hat or hearing protection used for appropriate conditions will reduce personal injuries.
- ▶ **Prevent unintentional starting. Ensure the switch is in the off-position before connecting to power source and/or battery pack, picking up or carrying the tool.** Carrying power tools with your finger on the switch or energising power tools that have the switch on invites accidents.
- ▶ **Remove any adjusting key or wrench before turning the power tool on.** A wrench or a key left attached to a rotating part of the power tool may result in personal injury.
- ▶ **Do not overreach. Keep proper footing and balance at all times.** This enables better control of the power tool in unexpected situations.
- ▶ **Dress properly. Do not wear loose clothing or jewellery. Keep your hair and clothing away from moving parts.** Loose clothes, jewellery or long hair can be caught in moving parts.
- ▶ **If devices are provided for the connection of dust extraction and collection facilities, ensure these are connected and properly used.** Use of dust collection can reduce dust-related hazards.
- ▶ **Do not let familiarity gained from frequent use of tools allow you to become complacent and ignore tool safety principles.** A careless action can cause severe injury within a fraction of a second.

Power tool use and care

- ▶ **Do not force the power tool. Use the correct power tool for your application.** The correct power tool will do the job better and safer at the rate for which it was designed.
- ▶ **Do not use the power tool if the switch does not turn it on and off.** Any power tool that cannot be controlled with the switch is dangerous and must be repaired.
- ▶ **Disconnect the plug from the power source and/or remove the battery pack, if detachable, from the power tool before making any adjustments, changing accessories, or storing power tools.** Such preventive safety measures reduce the risk of starting the power tool accidentally.
- ▶ **Store idle power tools out of the reach of children and do not allow persons unfamiliar with the power tool or these instructions to operate the power tool.** Power tools are dangerous in the hands of untrained users.
- ▶ **Maintain power tools and accessories. Check for misalignment or binding of moving parts, breakage of parts and any other condition that may affect the power tool's operation. If damaged, have the power tool repaired before use.** Many accidents are caused by poorly maintained power tools.

- ▶ **Keep cutting tools sharp and clean.** Properly maintained cutting tools with sharp cutting edges are less likely to bind and are easier to control.
- ▶ **Use the power tool, accessories and tool bits etc. in accordance with these instructions, taking into account the working conditions and the work to be performed.** Use of the power tool for operations different from those intended could result in a hazardous situation.
- ▶ **Keep handles and grasping surfaces dry, clean and free from oil and grease.** Slippery handles and grasping surfaces do not allow for safe handling and control of the tool in unexpected situations.

Service

- ▶ **Have your power tool serviced by a qualified repair person using only identical replacement parts.** This will ensure that the safety of the power tool is maintained.

Bench grinder safety warnings

- ▶ **Do not use a damaged accessory. Before each use, inspect the accessory such as abrasive wheels for chips and cracks. After inspecting and installing an accessory, position yourself and bystanders away from the plane of the rotating accessory and run the power tool at maximum no-load speed for one minute.** Damaged accessories will normally break apart during this test time.
- ▶ **The rated speed of the accessory must be at least equal to the maximum speed marked on the power tool.** Accessories running faster than their rated speed can break and fly apart.
- ▶ **Never grind on the sides of a grinding wheel.** Grinding on the side can cause the wheel to break and fly apart.



Wear safety goggles.

- ▶ **Never leave the tool unattended before it has come to a complete stop.** Cutting tools that are still running can cause injuries.
- ▶ **Store the power tool and accessories safely when it is not in use. The storage location must be dry and lockable.** This prevents the power tool from storage damage, and from being operated by untrained persons.
- ▶ **Check the cable regularly and have a damaged cable repaired only by an authorised customer service agent for Bosch power tools. Replace damaged extension cables.** This will ensure that the safety of the power tool is maintained.
- ▶ **Connect the tool to a mains supply that is properly connected to earth.** The socket and extension cable must have a fully functioning protective conductor.
- ▶ **Keep your work area clean.** Material mixtures are particularly hazardous. Light metal dust may catch fire or explode.
- ▶ **Protect the grinding tool against impact, shock and grease.**

Products sold in GB only:

Your product is fitted with an BS 1363/A approved electric plug with internal fuse (ASTA approved to BS 1362).

If the plug is not suitable for your socket outlets, it should be cut off and an appropriate plug fitted in its place by an authorised customer service agent. The replacement plug should have the same fuse rating as the original plug.

The severed plug must be disposed of to avoid a possible shock hazard and should never be inserted into a mains socket elsewhere.

Symbols

The following symbols may be important for the operation of your power tool. Please take note of these symbols and their meaning. Correctly interpreting the symbols will help you to operate the power tool more effectively and safely.

Symbols and their meaning



Keep your hands away from the grinding wheel while the power tool is running. There is a risk of injury if any contact with the grinding wheel occurs.



Wear hearing protection. Exposure to noise can cause hearing loss.



Wear safety goggles.



Wear a dust mask.



Wear protective gloves.

Product Description and Specifications



Read all the safety and general instructions.

Failure to observe the safety and general instructions may result in electric shock, fire and/or serious injury.

Please observe the illustrations at the beginning of this operating manual.

Intended use

The power tool is intended for sharpening tools and for grinding and deburring metal. The power tool may only be operated for short periods (max. 60 mins).

Product features

The numbering of the product features refers to the diagram of the power tool on the graphics page.

- (1) Cover
- (2) Clamping nut
- (3) Clamping flange
- (4) Mounting flange
- (5) Grinding spindle
- (6) Protective guard
- (7) Mounting holes
- (8) On/off switch
- (9) Open-ended spanner^{A)}
- (10) Holder for the spark arrestor
- (11) Spark arrestor
- (12) Workpiece support

A) **Accessories shown or described are not included with the product as standard. You can find the complete selection of accessories in our accessories range.**

Technical Data

Double-wheeled bench grinder		GBG 60-20
Article number		3 601 B7A 4..
Rated power input P ₁	W	600
Power output P ₂		
– 50 Hz	W	420
– 60 Hz	W	430
Operating mode ^{A)}		S2 (60 mins)
No-load speed		
– 50 Hz	min ⁻¹	3000
– 60 Hz	min ⁻¹	3600
Grinding spindle thread		M12
Grinding discs		
– Diameter	mm	200
– Width	mm	25
– Locating bore	mm	32
– Grit		24/60
Mounting flange		
– Locating bore	mm	15
– min. recess	mm	1.5
Weight according to EPTA-Procedure 01:2014	kg	16.5

Double-wheeled bench grinder GBG 60-20

Protection class ⊕ / I

A) The operating mode S2 (60 mins) indicates short-term operation with a maximum operating time of 60 minutes. After this time put down the power tool and let it cool down.

The specifications apply to a rated voltage [U] of 230 V. These specifications may vary at different voltages and in country-specific models.

Assembly

- ▶ **Pull the plug out of the socket before carrying out any work on the power tool.**
- Use suitable screws to fix the power tool to the workbench/worktop with the four holes (7) provided for this purpose.

Fitting the spark arrestor/workpiece support (see figures A–D)

- Mount the spark arrestor holder (10) with the two screws.
- Screw the spark arrestor (11) to the spark arrestor holder (10).
- Mount the workpiece support (12) as shown in the figure.
- ▶ **Regularly check the distance between the workpiece support (12) or spark arrestor holder (11) and the grinding wheel, and readjust as required. The distance from the grinding wheel must not exceed 2 mm.** If the distance is too great, you are not sufficiently protected against sparking. The workpiece can be drawn in by the rotational motion of the grinding wheel and can cause injuries.
- ▶ **Use the power tool only with the spark arrestor (11) fitted and swivel the spark arrestor down as far as possible.** Escaping sparks can injure your eyes or set fire to surrounding objects.
- ▶ **Use the power tool only with the workpiece support. Do not mix up the right and left workpiece supports (12).** If you do, the distance between the workpiece support (12) and the grinding wheel will be too great. If the distance is too great, you are not sufficiently protected against sparking. The workpiece can be drawn in by the rotational motion of the grinding wheel and can cause injuries.

Changing the grinding wheel

- ▶ **The rated speed of the accessory must be at least equal to the maximum speed marked on the power tool.** Accessories running faster than their rated speed can break and fly apart.
- ▶ **Grinding wheels with a diameter that exceeds the specification on the power tool are not permitted.**
- ▶ **Use the power tool only with application tools that are mounted on both spindles.** This will prevent contact with the rotating spindle.

Replace the grinding wheel when the spark arrestor holder (10) can no longer be set to the required distance of max. 2 mm from the grinding wheel.

- Loosen the three screws from the cover (1) and remove the cover. Hold the grinding spindle (5) with an open-ended spanner (9) and unscrew the clamping nut (2) from the grinding spindle (5).

Note: The grinding spindle (5) on the left side of the power tool has a left-hand thread.

- Remove the clamping flange (3) and the grinding wheel from the grinding spindle (5).
- Reverse the process to mount the new grinding wheel. Firmly replace the cover (1) and tighten with the three screws.

Dress used and non-circular grinding wheels with a whetstone (accessory) before continuing to use them.

- ▶ **Pull the plug out of the socket before carrying out any work on the power tool.**

Dust/Chip Extraction

Dust from materials such as lead-containing coatings, some wood types, minerals and metal can be harmful to one's health. Touching or breathing-in the dust can cause allergic reactions and/or lead to respiratory infections of the user or bystanders.

Certain dust, such as oak or beech dust, is considered carcinogenic, especially in connection with wood-treatment additives (chromate, wood preservative). Materials containing asbestos may only be worked by specialists.

- Provide for good ventilation of the working place.
- It is recommended to wear a P2 filter-class respirator.

Observe the relevant regulations in your country for the materials to be worked.

- ▶ **Avoid dust accumulation at the workplace.** Dust can easily ignite.

Operation

Starting Operation

- ▶ **Pay attention to the mains voltage. The voltage of the power source must match the voltage specified on the rating plate of the power tool. Power tools marked with 230 V can also be operated with 220 V.**
- ▶ **Always check abrasive tools before using them. The abrasive tool must be fitted properly and be able to move freely. Carry out a test run for at least one minute with no load. Do not use abrasive tools that are damaged, run untrue or vibrate during use.** Damaged abrasive tools can burst apart and cause injuries.
- ▶ **Products that are only sold in AUS and NZ:** Use a residual current device (RCD) with a nominal residual current of 30 mA or less.

Switching On and Off

- To **start** the power tool, push the on/off switch (8) into position "I".

- To **switch off** the power tool, push the on/off switch (8) into position "0".

Working Advice

- ▶ **Switch the power tool on before bringing the workpiece into contact with it and only switch the power tool off after you have removed the workpiece.** The workpiece can move suddenly.
- ▶ **Never reach into the power tool grinding wheel when it is running.** This can lead to serious injuries.
- ▶ **Wear a work apron. Ensure that no persons are at risk due to flying sparks. Remove combustible materials from the surrounding area.** Flying sparks are created when sanding metals.

Use silicon carbide grinding discs C (accessory) when working carbide (TC) workpieces.

- Place the workpiece you intend to grind onto the workpiece support (12) and press it lightly against the grinding wheel. To achieve optimal grinding results, move the workpiece gently back and forth. This also ensures that the grinding wheel is worn off evenly.
- Cool off the workpiece in water at intervals.

Transport

- Remove all accessories that cannot be securely fitted to the power tool.
- Wind up the network cable completely and tie it together.
- To lift or transport the power tool, hold it from below by the two protective guards (6). You can support the power tool in the area of the holes for mounting (7).
- ▶ **Never use the spark arrestor (11) or workpiece support (12) when transporting the power tool.**

Maintenance and Service

Maintenance and Cleaning

- ▶ **Pull the plug out of the socket before carrying out any work on the power tool.**
- ▶ **To ensure safe and efficient operation, always keep the power tool and the ventilation slots clean.**

In order to avoid safety hazards, if the power supply cord needs to be replaced, this must be done by **Bosch** or by an after-sales service centre that is authorised to repair **Bosch** power tools.

After-Sales Service and Application Service

Our after-sales service responds to your questions concerning maintenance and repair of your product as well as spare parts. You can find explosion drawings and information on spare parts at: www.bosch-pt.com

The Bosch product use advice team will be happy to help you with any questions about our products and their accessories.

In all correspondence and spare parts orders, please always include the 10-digit article number given on the nameplate of the product.

Cambodia

Robert Bosch (Cambodia) Co., Ltd
Unit 8BC, GT Tower, 08th Floor, Street 169,
Czechoslovakia Blvd, Sangkat Veal Vong
Khan 7 Makara, Phnom Penh
VAT TIN: 100 169 511
Tel.: +855 23 900 685
Tel.: +855 23 900 660
www.bosch.com.kh

People's Republic of China

China Mainland

Bosch Power Tool (China) Co. Ltd.
Bosch Service Center
567, Bin Kang Road
Bin Kang District
Hangzhou, Zhejiang Province
China 310052
Tel.: (0571) 8887 5566 / 5588
Fax: (0571) 8887 6688 x 5566# / 5588#
E-Mail: bsc.hz@cn.bosch.com
www.bosch-pt.com.cn

HK and Macau Special Administrative Regions

Robert Bosch Co. Ltd.
Flat B, 2/F, Yeung Yiu Chung No. 6 Industrial Building,
19 Cheung Shun Street
Cheung Sha Wan
Kowloon, Hong Kong
Customer Service Hotline: +852 2101 0235
Fax: +852 2590 9762
E-Mail: info@hk.bosch.com
www.bosch-pt.com.hk

India

Bosch Service Center
69, Habibullah Road, (Next to PSBB School), T. Nagar
Chennai-600077
Phone: (044) 64561816
Bosch Service Center
18, Community Center
Phase 1, Mayapuri
New Delhi-110064
Phone: (011) 43166190

Indonesia

PT Robert Bosch
Palma Tower 10th Floor
Jalan RA Kartini II-S Kaveling 6
Pondok Pinang, Kebayoran Lama
Jakarta Selatan 12310
Tel.: (21) 3005-5800
www.bosch-pt.co.id

Malaysia

Robert Bosch Sdn. Bhd.(220975-V) PT/SMY
No. 8A, Jalan 13/6
46200 Petaling Jaya

Selangor
Tel.: (03) 79663194
Toll-Free: 1800 880188
Fax: (03) 79583838
E-Mail: kiathoe.chong@my.bosch.com
www.bosch-pt.com.my

Pakistan

Robert Bosch Middle East FZE – Pakistan Liaison Office
2nd Floor Plaza # 10, CCA Block, DHA Phase 5
Lahore, 54810
Phone: +92(303)4444311
Email: Faisal.Khan@bosch.com

Philippines

Robert Bosch, Inc.
28th Floor Fort Legend Towers,
3rd Avenue corner 31st Street,
Fort Bonifacio, Global City,
1634 Taguig City
Tel.: (632) 8703871
Fax: (632) 8703870
www.bosch-pt.com.ph

Singapore

Powerwell Service Centre Ptd Ltd
Bosch Authorised Service Centre (Power Tools)
4012 Ang Mo Kio Ave 10, #01-02 TECHplace
Singapore 569628
Tel.: 6452 1770
Fax: 6452 1760
E-Mail: ask@powerwellsc.com
www.powerwellsc.com
www.bosch-pt.com.sg

Thailand

Robert Bosch Ltd.
FYI Center Tower 1, 5th Floor,
2525 Rama IV Road, Klongtoei,
Bangkok 10110
Tel.: 02 0128888
Fax: 02 0645802
www.bosch.co.th
Bosch Service – Training Centre
La Salle Tower Ground Floor Unit No.2
10/11 La Salle Moo 16
Srinakharin Road
Bangkaew, Bang Plee
Samutprakarn 10540
Tel.: 02 7587555
Fax: 02 7587525

Vietnam

Branch of Bosch Vietnam Co., Ltd in HCMC
14th floor, Deutsches Haus, 33 Le Duan
Ben Nghe Ward, District 1, Ho Chi Minh City
Tel.: (028) 6258 3690
Fax: (028) 6258 3692 - 6258 3694
Hotline: (028) 6250 8555
Email: tuvankhachhang-pt@vn.bosch.com
www.bosch-pt.com.vn

Bahrain

EA Juffali and Brothers for Technical Equipment Company.
Kingdom of Bahrain, Al Aker - Block 0624 - Road 2403 -
Building 0055D
Phone: +97317704537
Fax: +973177045257
Email: h.berjas@eajb.com.sa

Egypt

RBEG-LLC
22 Kamal Eldin Hussein
Sheraton Heliopolis
11799 Cairo
E-mail: boschegypt.powertools@eg.bosch.com

Iran

Robert Bosch Iran
3rd Floor, No 3, Maadiran Building
Aftab St., Khodami St., Vanak Sq.
Tehran 1994834571
Phone: +9821-86092057

Iraq

Sahba Technology Group
Al Muthana airport road
Baghdad
Phone Bagdad: +964 (0) 7 901 930366
Phone Dubai: +971 (0) 4 422 1898
Email: duraid@sahbatechnology.com

Jordan

Roots Arabia – Jordan
Al-Hurriyah Street, Al-Muqabalein
Amman 11623, Jordan
P.O. Box: 110068
Tel. : +962 6 4398990
E-mail: bosch@rootsjordan.com

Kuwait

Shuwaikh Industrial Area, Block 1, Plot 16, Street 3rd
P.O. Box 164 – Safat 13002
Phone: +965 - 2496 88 88
Fax: +965 - 2481 08 79
E-mail: josephkr@aaalmutawa.com

Lebanon

Tehini Hana & Co. S.A.R.L.
P.O. Box 90-449
Jdeideh 1202 2040
Dora-Beirut
Phone: +9611255211
Email: service-pt@tehini-hana.com

Libya

El Naser for Workshop Tools
Swanee Road, Alfalah Area
Tripoli
Phone: +218 21 4811184

Oman

Malatan Trading & Contracting LLC
P.O. Box 131, Ruwi, Muscat
Postal Code: 112, Sultanate of Oman
Phone: +968 2479 4035/4089/4901

Mob: +968-91315465
Fax: +968 2479 4058
E-Mail: sudhirkumar@malatan.net

Qatar

International Construction Solutions W L L
P. O. Box 51, Doha
Phone: +974 40065458
Fax: +974 4453 8585
Email: csd@icsdoha.com

Saudi Arabia

Juffali Technical Equipment Co. (JTECO)
P.O.Box: 1049 – Jeddah 21431 – KSA
Jeddah: 00966 (0) 12 692 0770 – Ext 433
Riyadh: 00966 (0) 11 409 3976 – Ext-30/34/39
Dammam: 00966 (0) 13 833 9565
E-mail: M.Zreik@eajb.com.sa

Syria

Dallal Establishment for Power Tools
Damascus. Baramkeh street - Ibn Amer street,
Phone: +963112241006 or 009631122414009
Mobile: 00963991141005
Email: rita.dallal@hotmail.com

United Arab Emirates

Central Motors & Equipment,
P.O. Box 26255, Dubai
Dubai: 00971 (0) 4 3090920/3090930
Abu Dhabi: 00971 (0) 2 4017745
Sharjah: 00971 (0) 6 5932777
Al Ain: 00971 (0) 3 7157419
E- Mail: Mallappa.Madari@centralmotors.ae

Yemen

Abu Alrejal Trading Corporation
P.O. Box : 17024 , Zubeiry St.
Sana'a, Yemen
Tel: +967-1-20 20 10
Fax: +967-1-47 19 17
E-mail: tech-tools@abualrejal.com/yahya@abualrejal.com

Ethiopia

Forever plc
Kebele 2,754, BP 4806,
Addis Ababa
Phone: +251 111 560 600
Email: foreverplc@ethionet.et

Ghana

Robert Bosch Ghana Limited
21 Kofi Annan Road Airport Residential Area Accra
Tel. +233 (0)3027 94616

Kenya

Robert Bosch East Africa Ltd
Mpaka Road P.O. Box 856
00606 Nairobi

Nigeria

Robert Bosch Nigeria Ltd.
52-54 Isaac John Street P.O. Box
GRA Ikeja – Lagos

Tanzania

Diesel & Autoelectric Service Ltd.
117 Nyerere Rd., P.O. Box 70839
Vingunguti 12109, Dar Es Salaam
Phone: +255 222 861 793/794

Australia, New Zealand and Pacific Islands

Robert Bosch Australia Pty. Ltd.
Power Tools
Locked Bag 66
Clayton South VIC 3169
Customer Contact Center
Inside Australia:
Phone: (01300) 307044
Fax: (01300) 307045
Inside New Zealand:
Phone: (0800) 543353
Fax: (0800) 428570
Outside AU and NZ:
Phone: +61 3 95415555
www.bosch-pt.com.au
www.bosch-pt.co.nz

Republic of South Africa**Customer service**

Hotline: (011) 6519600

Gauteng – BSC Service Centre

35 Roper Street, New Centre
Johannesburg
Tel.: (011) 4939375
Fax: (011) 4930126
E-Mail: bscstools@icon.co.za

KZN – BSC Service Centre

Unit E, Almar Centre
143 Crompton Street
Pinetown
Tel.: (031) 7012120
Fax: (031) 7012446
E-Mail: bsc.dur@za.bosch.com

Western Cape – BSC Service Centre

Democracy Way, Prosperity Park
Milnerton
Tel.: (021) 5512577
Fax: (021) 5513223
E-Mail: bsc@zsd.co.za

Bosch Headquarters

Midrand, Gauteng
Tel.: (011) 6519600
Fax: (011) 6519880
E-Mail: rbsa-hq.pts@za.bosch.com

Armenia, Azerbaijan, Georgia

Robert Bosch Ltd.
David Agmashenebeli ave. 61
0102 Tbilisi, Georgia
Tel. +995322510073
www.bosch.com

Kyrgyzstan, Mongolia, Tajikistan, Turkmenistan, Uzbekistan

TOO "Robert Bosch" Power Tools, After Sales Service
Muratbaev Ave., 180
050012, Almaty, Kazakhstan
Service Email: service.pt.ka@bosch.com
Official Website: www.bosch.com, www.bosch-pt.com

Disposal

The power tool, accessories and packaging should be recycled in an environmentally friendly manner.



Do not dispose of power tools along with household waste.

Français**Consignes de sécurité****Avertissements de sécurité généraux pour l'outil électrique****AVERTISSEMENT**

Lire tous les avertissements de sécurité, les instructions, les illustrations et les spécifications fournis

avec cet outil électrique. Ne pas suivre les instructions énumérées ci-dessous peut provoquer un choc électrique, un incendie et/ou une blessure sérieuse.

Conserver tous les avertissements et toutes les instructions pour pouvoir s'y reporter ultérieurement.

Le terme "outil électrique" dans les avertissements fait référence à votre outil électrique alimenté par le secteur (avec cordon d'alimentation) ou votre outil électrique fonctionnant sur batterie (sans cordon d'alimentation).

Sécurité de la zone de travail

- ▶ **Conserver la zone de travail propre et bien éclairée.**
Les zones en désordre ou sombres sont propices aux accidents.
- ▶ **Ne pas faire fonctionner les outils électriques en atmosphère explosive, par exemple en présence de liquides inflammables, de gaz ou de poussières.** Les outils électriques produisent des étincelles qui peuvent enflammer les poussières ou les fumées.
- ▶ **Maintenir les enfants et les personnes présentes à l'écart pendant l'utilisation de l'outil électrique.** Les distractions peuvent vous faire perdre le contrôle de l'outil.

Sécurité électrique

- ▶ **Il faut que les fiches de l'outil électrique soient adaptées au socle. Ne jamais modifier la fiche de quelque façon que ce soit. Ne pas utiliser d'adaptateurs avec des outils électriques à branchement de terre.** Des

fiches non modifiées et des socles adaptés réduisent le risque de choc électrique.

- ▶ **Éviter tout contact du corps avec des surfaces reliées à la terre telles que les tuyaux, les radiateurs, les cuisinières et les réfrigérateurs.** Il existe un risque accru de choc électrique si votre corps est relié à la terre.
- ▶ **Ne pas exposer les outils électriques à la pluie ou à des conditions humides.** La pénétration d'eau à l'intérieur d'un outil électrique augmente le risque de choc électrique.
- ▶ **Ne pas maltraiter le cordon. Ne jamais utiliser le cordon pour porter, tirer ou débrancher l'outil électrique. Maintenir le cordon à l'écart de la chaleur, du lubrifiant, des arêtes vives ou des parties en mouvement.** Des cordons endommagés ou emmêlés augmentent le risque de choc électrique.
- ▶ **Lorsqu'on utilise un outil électrique à l'extérieur, utiliser un prolongateur adapté à l'utilisation extérieure.** L'utilisation d'un cordon adapté à l'utilisation extérieure réduit le risque de choc électrique.
- ▶ **Si l'usage d'un outil électrique dans un emplacement humide est inévitable, utiliser une alimentation protégée par un dispositif à courant différentiel résiduel (RCD).** L'usage d'un RCD réduit le risque de choc électrique.

Sécurité des personnes

- ▶ **Rester vigilant, regarder ce que vous êtes en train de faire et faire preuve de bon sens dans votre utilisation de l'outil électrique. Ne pas utiliser un outil électrique lorsque vous êtes fatigué ou sous l'emprise de drogues, de l'alcool ou de médicaments.** Un moment d'inattention en cours d'utilisation d'un outil électrique peut entraîner des blessures graves.
- ▶ **Utiliser un équipement de protection individuelle. Toujours porter une protection pour les yeux.** Les équipements de protection individuelle tels que les masques contre les poussières, les chaussures de sécurité antidérapantes, les casques ou les protections auditives utilisés pour les conditions appropriées réduisent les blessures.
- ▶ **Éviter tout démarrage intempestif. S'assurer que l'interrupteur est en position arrêt avant de brancher l'outil au secteur et/ou au bloc de batteries, de le ramasser ou de le porter.** Porter les outils électriques en ayant le doigt sur l'interrupteur ou brancher des outils électriques dont l'interrupteur est en position marche est source d'accidents.
- ▶ **Retirer toute clé de réglage avant de mettre l'outil électrique en marche.** Une clé laissée fixée sur une partie tournante de l'outil électrique peut donner lieu à des blessures.
- ▶ **Ne pas se précipiter. Garder une position et un équilibre adaptés à tout moment.** Cela permet un meilleur contrôle de l'outil électrique dans des situations inattendues.

- ▶ **S'habiller de manière adaptée. Ne pas porter de vêtements amples ou de bijoux. Garder les cheveux et les vêtements à distance des parties en mouvement.** Des vêtements amples, des bijoux ou les cheveux longs peuvent être pris dans des parties en mouvement.
- ▶ **Si des dispositifs sont fournis pour le raccordement d'équipements pour l'extraction et la récupération des poussières, s'assurer qu'ils sont connectés et correctement utilisés.** Utiliser des collecteurs de poussière peut réduire les risques dus aux poussières.
- ▶ **Rester vigilant et ne pas négliger les principes de sécurité de l'outil sous prétexte que vous avez l'habitude de l'utiliser.** Une fraction de seconde d'inattention peut provoquer une blessure grave.

Utilisation et entretien de l'outil électrique

- ▶ **Ne pas forcer l'outil électrique. Utiliser l'outil électrique adapté à votre application.** L'outil électrique adapté réalise mieux le travail et de manière plus sûre au régime pour lequel il a été construit.
- ▶ **Ne pas utiliser l'outil électrique si l'interrupteur ne permet pas de passer de l'état de marche à arrêt et inversement.** Tout outil électrique qui ne peut pas être commandé par l'interrupteur est dangereux et il faut le réparer.
- ▶ **Débrancher la fiche de la source d'alimentation et/ou enlever le bloc de batteries, s'il est amovible, avant tout réglage, changement d'accessoires ou avant de ranger l'outil électrique.** De telles mesures de sécurité préventives réduisent le risque de démarrage accidentel de l'outil électrique.
- ▶ **Conserver les outils électriques à l'arrêt hors de la portée des enfants et ne pas permettre à des personnes ne connaissant pas l'outil électrique ou les présentes instructions de le faire fonctionner.** Les outils électriques sont dangereux entre les mains d'utilisateurs novices.
- ▶ **Observer la maintenance des outils électriques et des accessoires. Vérifier qu'il n'y a pas de mauvais alignement ou de blocage des parties mobiles, des pièces cassées ou toute autre condition pouvant affecter le fonctionnement de l'outil électrique. En cas de dommages, faire réparer l'outil électrique avant de l'utiliser.** De nombreux accidents sont dus à des outils électriques mal entretenus.
- ▶ **Garder affûtés et propres les outils permettant de couper.** Des outils destinés à couper correctement entretenus avec des pièces coupantes tranchantes sont moins susceptibles de bloquer et sont plus faciles à contrôler.
- ▶ **Utiliser l'outil électrique, les accessoires et les lames etc., conformément à ces instructions, en tenant compte des conditions de travail et du travail à réaliser.** L'utilisation de l'outil électrique pour des opérations différentes de celles prévues peut donner lieu à des situations dangereuses.

- **Il faut que les poignées et les surfaces de préhension restent sèches, propres et dépourvues d'huiles et de graisses.** Des poignées et des surfaces de préhension glissantes rendent impossibles la manipulation et le contrôle en toute sécurité de l'outil dans les situations inattendues.

Maintenance et entretien

- **Faire entretenir l'outil électrique par un réparateur qualifié utilisant uniquement des pièces de rechange identiques.** Cela assure le maintien de la sécurité de l'outil électrique.

Avertissements de sécurité du touret à meuler

- **Ne pas utiliser un accessoire endommagé. Avant chaque utilisation, examiner l'accessoire (les disques abrasifs, par exemple) pour détecter les éclats et les fissures. Après l'examen et l'installation d'un accessoire, s'éloigner de son plan de rotation et faire fonctionner l'outil électrique à vitesse à vide maximale pendant une minute.** En principe, les accessoires endommagés se dispersent pendant cette période d'essai.
- **La vitesse assignée de l'accessoire doit être au moins égale à la vitesse maximale indiquée sur l'outil électrique.** Les accessoires dont la vitesse est supérieure à leur vitesse assignée peuvent se rompre et se détacher.
- **Ne jamais meuler sur les côtés d'une meule.** Le meulage sur le côté peut provoquer la rupture ou le détachement de la meule.



Portez toujours des lunettes de protection.

- **Ne quittez jamais l'outil avant son immobilisation totale.** Les accessoires de travail qui continuent de tourner ou qui ne sont pas encore à l'arrêt total peuvent causer des blessures.
- **Rangez l'outil électroportatif et ses accessoires dans un endroit sûr et approprié. Le local de rangement doit être sec et verrouillable à clé.** Ceci, afin de prévenir tout endommagement de l'outil électroportatif pendant son stockage ou son utilisation par des personnes non initiées.
- **Examinez le câble régulièrement et ne confiez la réparation d'un câble endommagé qu'à un centre de service après-vente agréé pour outillage électroportatif Bosch. Remplacez aussitôt toute rallonge endommagée.** Ceci est indispensable pour préserver la sécurité de fonctionnement de l'outil électroportatif.
- **Connectez l'outil à un réseau électrique avec prise de terre.** La prise électrique et la rallonge doivent posséder un fil de mise à la terre.
- **Veillez à une bonne propreté du poste de travail.** Les mélanges de matériau sont particulièrement dangereux. La poussière de métal fine peut s'enflammer ou exploser.
- **Protégez la meule contre les chocs, les coups et la graisse.**

Symboles

Les symboles suivants peuvent être importants pour l'utilisation de votre outil électroportatif. Veuillez mémoriser les symboles et leur signification. L'interprétation correcte des symboles vous permettra de mieux utiliser votre outil électroportatif et en toute sécurité.

Pictogrammes et leur signification



N'approchez en aucun cas les mains de la meule pendant le fonctionnement de l'outil électroportatif. Lors d'un contact avec la meule, il y a risque de blessures.



Portez une protection auditive. L'exposition aux bruits peut provoquer une perte de l'audition.



Portez toujours des lunettes de protection.



Portez un masque à poussière.



Portez des gants de protection.

Description des prestations et du produit



Lisez attentivement toutes les instructions et signes de sécurité. Le non-respect des instructions et signes de sécurité peut provoquer un choc électrique, un incendie et/ou entraîner de graves blessures.

Référez-vous aux illustrations qui se trouvent à l'avant de la notice d'utilisation.

Utilisation conforme

L'outil électroportatif est conçu pour l'affûtage des outils ainsi que pour le meulage et l'ébavurage des métaux. N'utilisez l'outil électroportatif que pendant une courte durée (60 min. max.).

Éléments constitutifs

La numérotation des éléments de l'appareil se réfère à la représentation de l'outil électroportatif sur la page graphique.

- (1) Couverture
- (2) Écrou de serrage

- (3) Flasque de serrage
- (4) Flasque d'entraînement
- (5) Broche d'entraînement
- (6) Capot de protection
- (7) Orifices de montage
- (8) Interrupteur Marche/Arrêt
- (9) Clé plate^{A)}
- (10) Fixation de pare-étincelles
- (11) Pare-étincelles
- (12) Tablette d'appui

A) Les accessoires décrits ou illustrés ne sont pas tous compris dans la fourniture. Vous trouverez les accessoires complets dans notre gamme d'accessoires.

Caractéristiques techniques

Touret à meuler		GBG 60-20
Référence		3 601 B7A 4..
Puissance absorbée nominale P ₁	W	600
Puissance débitée P ₂		
– 50 Hz	W	420
– 60 Hz	W	430
Type de service ^{A)}		S2 (60)
Régime à vide		
– 50 Hz	min ⁻¹	3000
– 60 Hz	min ⁻¹	3600
Filetage de la broche d'entraînement		M12
Meules		
– Diamètre	mm	200
– Largeur	mm	25
– Alésage	mm	32
– Grain		24/60
Flasque d'entraînement		
– Alésage	mm	15
– Évidement mini	mm	1,5
Poids selon EPTA-Procédure 01:2014	kg	16,5
Indice de protection		⊕/I

A) Le service S2 (60 min) désigne un fonctionnement temporaire avec une durée de fonctionnement maximale de 60 min. Arrêtez l'outil électroportatif après l'avoir fait fonctionner pendant cette durée et attendez qu'il refroidisse.

Les données indiquées sont valables pour une tension nominale [U] de 230 V. Elles peuvent varier lorsque la tension diffère de cette valeur et sur certaines versions destinées à certains pays.

Montage

► **Débranchez le câble d'alimentation de la prise avant d'effectuer des travaux quels qu'il soient sur l'outil électroportatif.**

- Fixez avec des vis de taille appropriée l'outil électroportatif à l'établi / au plan de travail au niveau des quatre orifices (7) prévus à cet effet.

Montage du pare-étincelles/des tablettes d'appui (voir figures A–D)

- Montez la fixation de pare-étincelles (10) à l'aide des deux vis.
- Vissez le pare-étincelles (11) sur la fixation de pare-étincelles (10).
- Montez la tablette d'appui (12) conformément aux indications de la figure.

► **Contrôlez régulièrement la distance entre la tablette d'appui (12) ou la fixation de pare-étincelles (11) et la meule et corrigez-la si nécessaire. La distance par rapport à la meule ne doit pas dépasser 2 mm.** En cas de trop grand espacement, vous n'êtes pas suffisamment protégé des étincelles. La pièce risque d'être happée par la meule en rotation et causer des blessures.

► **N'utilisez l'outil électroportatif qu'avec le pare-étincelles (11) et basculez-le aussi loin que possible vers le bas.** Les étincelles produites risquent de causer des blessures aux yeux ou d'enflammer les objets qui se trouvent à proximité.

► **Utilisez toujours l'outil électroportatif avec les tablettes d'appui. N'intervertissez pas les tablettes d'appui (12) gauche et droite.** La distance entre la tablette d'appui (12) et la meule est sinon trop importante. En cas de trop grand espacement, vous n'êtes pas suffisamment protégé des étincelles. La pièce risque d'être happée par la meule en rotation et causer des blessures.

Remplacement des meules

► **La vitesse assignée de l'accessoire doit être au moins égale à la vitesse maximale indiquée sur l'outil électroportatif.** Les accessoires dont la vitesse est supérieure à leur vitesse assignée peuvent se rompre et se détacher.

► **Il n'est pas permis d'utiliser des meules d'un diamètre supérieur à ce qui est indiqué sur l'outil électroportatif.**

► **Utilisez seulement l'outil électroportatif quand une meule est montée sur chaque broche.** Cela évite tout risque de contact avec la broche en rotation.

Remplacez la meule dès que l'espacement entre la fixation de pare-étincelle (10) et la meule ne peut plus être réglée à moins de 2 mm.

- Desserrez les trois vis du capot (1) et retirez le capot. Bloquez la broche d'entraînement (5) avec une clé plate (9) et dévissez l'écrou de serrage (2) de la broche d'entraînement (5).

Remarque : La broche d'entraînement (5) qui se trouve du côté gauche de l'outil électroportatif a un filetage à gauche.

- Dégagez le flasque de serrage (3) et la meule de la broche d'entraînement (5).
- Le montage d'une nouvelle meule s'effectue dans l'ordre inverse. Remontez le capot (1) en exerçant une forte pression et resserrez-le à l'aide des trois vis.

Réaffûtez les meules usées et déformées à l'aide d'une pierre à aiguiser (accessoire) avant de les réutiliser.

- ▶ **Débranchez le câble d'alimentation de la prise avant d'effectuer des travaux quels qu'il soient sur l'outil électroportatif.**

Aspiration de poussières/de copeaux

Les poussières de matériaux tels que peintures contenant du plomb, certains bois, minéraux ou métaux, peuvent être nuisibles à la santé. Entrer en contact ou aspirer les poussières peut entraîner des réactions allergiques et/ou des maladies respiratoires auprès de l'utilisateur ou de personnes se trouvant à proximité.

Certaines poussières telles que les poussières de chêne ou de hêtre sont considérées comme cancérigènes, surtout en association avec des additifs pour le traitement du bois (chromate, lazure). Les matériaux contenant de l'amiante ne doivent être travaillés que par des personnes qualifiées.

- Veillez à bien aérer la zone de travail.
- Il est recommandé de porter un masque respiratoire avec un niveau de filtration de classe P2.

Respectez les règlements spécifiques aux matériaux à traiter en vigueur dans votre pays.

- ▶ **Évitez toute accumulation de poussières sur le lieu de travail.** Les poussières peuvent facilement s'enflammer.

Utilisation

Mise en marche

- ▶ **Tenez compte de la tension du réseau ! La tension de la source de courant doit correspondre aux indications se trouvant sur la plaque signalétique de l'outil électroportatif. Les outils électroportatifs marqués 230 V peuvent également fonctionner sur 220 V.**
- ▶ **Vérifiez les accessoires de meulage avant de les utiliser. L'accessoire de meulage doit être correctement monté et doit pouvoir tourner librement. Effectuez une marche d'essai en faisant tourner l'outil à vide pendant au moins 1 minute. N'utilisez jamais des accessoires de meulage qui sont endommagés, qui vibrent ou dont la rotation est irrégulière.** Les accessoires de meulage endommagés peuvent éclater et causer des blessures.

Mise en marche/arrêt

- Pour **mettre en marche** l'outil électroportatif, basculez l'interrupteur Marche/Arrêt (8) en position « I ».
- Pour **arrêter** l'outil électroportatif, basculez l'interrupteur Marche/Arrêt (8) en position « 0 ».

Instructions d'utilisation

- ▶ **N'appliquez la pièce contre la meule que quand l'outil électroportatif est en marche et n'arrêtez l'outil électroportatif qu'après l'avoir dégagé la pièce.** La pièce risque d'effectuer un mouvement brusque.
- ▶ **Ne touchez jamais avec les doigts la meule en rotation.** Ceci peut causer de graves blessures.
- ▶ **Portez un tablier de travail. Veillez à ce que personne ne se trouve dans la trajectoire des étincelles projetées. Enlevez les matériaux inflammables qui se trouvent à proximité.** Le meulage et le tronçonnage de métaux génèrent des étincelles.

Utilisez des meules en carbure de silicium C (accessoire) pour affûter des pièces en carbure.

- Posez la pièce à usiner sur la tablette d'appui (12) et exercez une légère pression en direction de la meule. Afin d'obtenir des résultats parfaits, faites bouger légèrement la pièce dans un sens puis dans l'autre. De cette manière, la meule s'use uniformément.
- Faites refroidir la pièce de temps en temps dans de l'eau.

Transport

- Enlevez tous les accessoires qui ne peuvent pas être fixés fermement à l'outil électroportatif et qui risquent donc de tomber.
- Enroulez complètement le cordon d'alimentation et attachez-le.
- Pour soulever ou transporter l'outil électroportatif, saisissez-le par le bas au niveau des deux capots de protection (6). Vous pouvez aussi soutenir l'outil électroportatif au niveau des orifices de montage (7).
- ▶ **Ne saisissez jamais l'outil électroportatif au niveau du pare-étincelle (11) ou des tablettes d'appui (12) pour le transporter.**

Entretien et Service après-vente

Nettoyage et entretien

- ▶ **Débranchez le câble d'alimentation de la prise avant d'effectuer des travaux quels qu'il soient sur l'outil électroportatif.**
- ▶ **Tenez toujours propres l'outil électroportatif ainsi que les fentes de ventilation afin d'obtenir un travail impeccable et sûr.**

Dans le cas où il s'avère nécessaire de remplacer le câble d'alimentation, confiez le remplacement à **Bosch** ou une station de Service Après-Vente agréée pour outillage **Bosch** afin de ne pas compromettre la sécurité.

Service après-vente et conseil utilisateurs

Notre Service après-vente répond à vos questions concernant la réparation et l'entretien de votre produit et les pièces de rechange. Vous trouverez des vues éclatées et des informations sur les pièces de rechange sur le site : www.bosch-pt.com

L'équipe de conseil utilisateurs Bosch se tient à votre disposition pour répondre à vos questions concernant nos produits et leurs accessoires.

Pour toute demande de renseignement ou toute commande de pièces de rechange, précisez impérativement la référence à 10 chiffres figurant sur l'étiquette signalétique du produit.

Algérie

Siestal
Zone Industrielle Ihaddaden
06000 Bejaia
Tel. : +213 (0) 982 400 991/2
Fax : +213 (0) 3 420 1569
E-Mail : sav@siestal-dz.com

Maroc

Robert Bosch Morocco SARL
53, Rue Lieutenant Mahroud Mohamed
20300 Casablanca
Tel.: +212 5 29 31 43 27
E-Mail : sav.outillage@ma.bosch.com

Tunisie

Robert Bosch Tunisie SARL
7 Rue Ibn Battouta Z.I. Saint Gobain
Mégrine Riadh
2014 Ben Arous
Tél. : +216 71 427 496/879
Fax : +216 71 428 621
E-Mail : sav.outillage@tn.bosch.com

Côte d'Ivoire

Rimco
ZONE 3, 9 RUE DU CANAL
01 BP V230, Abidjan 01
Tel. : +225 21 25 93 38

Sénégal

Bernabé
Km 2,5 – Bd du Centenaire de la Commune de Dakar
B.P. 2098 DAKAR
Tel. : +221 33 849 01 01
Fax : +221 33 823 34 20

Élimination des déchets

Les outils électroportatifs, ainsi que leurs accessoires et emballages, doivent pouvoir suivre chacun une voie de recyclage appropriée.



Ne jetez pas les outils électroportatifs avec les ordures ménagères !

Português

Instruções de segurança

Instruções gerais de segurança para ferramentas eléctricas

AVISO

Devem ser lidas todas as indicações de segurança,

instruções, ilustrações e especificações desta ferramenta eléctrica. O desrespeito das instruções apresentadas abaixo poderá resultar em choque eléctrico, incêndio e/ou ferimentos graves.

Guarde bem todas as advertências e instruções para futura referência.

O termo "ferramenta eléctrica" utilizado a seguir nas indicações de advertência, refere-se a ferramentas eléctricas operadas com corrente de rede (com cabo de rede) e a ferramentas eléctricas operadas com acumulador (sem cabo de rede).

Segurança da área de trabalho

- ▶ **Mantenha a sua área de trabalho sempre limpa e bem iluminada.** Desordem ou áreas de trabalho insuficientemente iluminadas podem levar a acidentes.
- ▶ **Não trabalhar com a ferramenta eléctrica em áreas com risco de explosão, nas quais se encontrem líquidos, gases ou pós inflamáveis.** Ferramentas eléctricas produzem faíscas, que podem inflamar pós ou vapores.
- ▶ **Manter crianças e outras pessoas afastadas da ferramenta eléctrica durante a utilização.** No caso de distração é possível que perca o controlo sobre o aparelho.

Segurança eléctrica

- ▶ **A ficha de conexão da ferramenta eléctrica deve caber na tomada. A ficha não deve ser modificada de maneira alguma. Não utilizar uma ficha de adaptação junto com ferramentas eléctricas protegidas por ligação à terra.** Fichas não modificadas e tomadas apropriadas reduzem o risco de um choque eléctrico.
- ▶ **Evitar que o corpo possa entrar em contacto com superfícies ligadas à terra, como tubos, aquecimentos, fogões e frigoríficos.** Há um risco elevado devido a choque eléctrico, se o corpo estiver ligado à terra.
- ▶ **Manter o aparelho afastado de chuva ou humidade.** A infiltração de água numa ferramenta eléctrica aumenta o risco de choque eléctrico.
- ▶ **Não deverá utilizar o cabo para outras finalidades. Nunca utilizar o cabo para transportar a ferramenta eléctrica, para pendurá-la, nem para puxar a ficha da tomada. Manter o cabo afastado do calor, do óleo, de arestas afiadas ou de peças em movimento.** Cabos danificados ou emaranhados aumentam o risco de um choque eléctrico.

- ▶ **Se trabalhar com uma ferramenta eléctrica ao ar livre, só deverá utilizar cabos de extensão apropriados para áreas exteriores.** A utilização de um cabo de extensão apropriado para áreas exteriores reduz o risco de um choque eléctrico.
- ▶ **Se não for possível evitar o funcionamento da ferramenta eléctrica em áreas húmidas, deverá ser utilizado um disjuntor de corrente de avaria.** A utilização de um disjuntor de corrente de avaria reduz o risco de um choque eléctrico.

Segurança de pessoas

- ▶ **Esteja atento, observe o que está a fazer e tenha prudência ao trabalhar com a ferramenta eléctrica. Não utilizar uma ferramenta eléctrica quando estiver fatigado ou sob a influência de drogas, álcool ou medicamentos.** Um momento de descuido ao utilizar a ferramenta eléctrica, pode levar a lesões graves.
- ▶ **Utilizar equipamento de protecção individual. Utilizar sempre óculos de protecção.** A utilização de equipamento de protecção pessoal, como máscara de protecção contra pó, sapatos de segurança antiderrapantes, capacete de segurança ou protecção auricular, de acordo com o tipo e aplicação da ferramenta eléctrica, reduz o risco de lesões.
- ▶ **Evitar uma colocação em funcionamento involuntária. Assegure-se de que a ferramenta eléctrica esteja desligada, antes de conectá-la à alimentação de rede e/ou ao acumulador, antes de levantá-la ou de transportá-la.** Se tiver o dedo no interruptor ao transportar a ferramenta eléctrica ou se o aparelho for conectado à alimentação de rede enquanto estiver ligado, poderão ocorrer acidentes.
- ▶ **Remover ferramentas de ajuste ou chaves de boca antes de ligar a ferramenta eléctrica.** Uma ferramenta ou chave que se encontre numa parte do aparelho em movimento pode levar a lesões.
- ▶ **Evite uma posição anormal. Mantenha uma posição firme e mantenha sempre o equilíbrio.** Desta forma é mais fácil controlar a ferramenta eléctrica em situações inesperadas.
- ▶ **Usar roupa apropriada. Não usar roupa larga nem jóias. Mantenha os cabelos e roupas afastados de peças em movimento.** Roupas frouxas, cabelos longos ou jóias podem ser agarrados por peças em movimento.
- ▶ **Se for possível montar dispositivos de aspiração ou de recolha, assegure-se de que estejam conectados e utilizados correctamente.** A utilização de uma aspiração de pó pode reduzir o perigo devido ao pó.
- ▶ **Não deixe que a familiaridade resultante de uma utilização frequente de ferramentas permita que você se torne complacente e ignore os princípios de segurança da ferramenta.** Uma acção descuidada pode causar ferimentos graves numa fracção de segundo.

Utilização e manuseio cuidadoso de ferramentas eléctricas

- ▶ **Não sobrecarregue a ferramenta eléctrica. Utilize a ferramenta eléctrica apropriada para o seu trabalho.** É melhor e mais seguro trabalhar com a ferramenta eléctrica apropriada na área de potência indicada.
- ▶ **Não utilizar uma ferramenta eléctrica com um interruptor defeituoso.** Uma ferramenta eléctrica que não pode mais ser ligada nem desligada, é perigosa e deve ser reparada.
- ▶ **Puxar a ficha da tomada e/ou remover o acumulador, se amovível, antes de executar ajustes na ferramenta eléctrica, de substituir acessórios ou de guardar as ferramentas eléctricas.** Esta medida de segurança evita o arranque involuntário da ferramenta eléctrica.
- ▶ **Guardar ferramentas eléctricas não utilizadas fora do alcance de crianças e não permitir que as pessoas que não estejam familiarizadas com o aparelho ou que não tenham lido estas instruções utilizem o aparelho.** Ferramentas eléctricas são perigosas se forem utilizadas por pessoas inexperientes.
- ▶ **Tratar a ferramenta eléctrica e os acessórios com cuidado. Controlar se as partes móveis do aparelho funcionam perfeitamente e não emperram, e se há peças quebradas ou danificadas que possam prejudicar o funcionamento da ferramenta eléctrica. Permitir que peças danificadas sejam reparadas antes da utilização.** Muitos acidentes têm como causa, a manutenção insuficiente de ferramentas eléctricas.
- ▶ **Manter as ferramentas de corte afiadas e limpas.** Ferramentas de corte cuidadosamente tratadas e com cantos de corte afiados emperram com menos frequência e podem ser conduzidas com maior facilidade.
- ▶ **Utilizar a ferramenta eléctrica, acessórios, ferramentas de aplicação, etc. conforme estas instruções. Considerar as condições de trabalho e a tarefa a ser executada.** A utilização de ferramentas eléctricas para outras tarefas a não ser as aplicações previstas, pode levar a situações perigosas.
- ▶ **Mantenha os punhos e as superfícies de agarrar secas, limpas e livres de óleo e massa consistente.** Punhos e superfícies de agarrar escorregadias não permitem o manuseio e controle seguros da ferramenta em situações inesperadas.

Serviço

- ▶ **Só permita que o seu aparelho seja reparado por pessoal especializado e qualificado e só com peças de reposição originais.** Desta forma é assegurado o funcionamento seguro do aparelho.

Indicações de segurança para rebarbadora de bancada

- ▶ **Não utilize um acessório danificado. Antes de cada utilização, inspecione os acessórios como, por exemplo, discos abrasivos quanto a presença de lascas e fissuras. Depois de inspecionar e instalar um**

acessório, proteja-se a si e às outras pessoas do plano do acessório rotativo e faça funcionar a ferramenta elétrica com o número máximo de rotações em vazio durante um minuto. Normalmente, os acessórios danificados desintegram-se durante este período de teste.

- ▶ **A velocidade nominal do acessório deve ser, no mínimo, igual à velocidade máxima indicada na ferramenta elétrica.** Os acessórios que forem utilizados a uma velocidade superior aquela para a qual foram concebidos poderão desintegrar-se e projetar fragmentos.
- ▶ **Nunca desbaste com as partes laterais de um disco de rebarbar.** O desbaste com a parte lateral pode provocar a quebra e a projeção de fragmentos do disco.



Usar óculos de proteção.

- ▶ **Nunca abandone a ferramenta sem a mesma ter parado por completo.** Ferramentas de trabalho em funcionamento de inércia podem causar lesões.
- ▶ **Quando a ferramenta elétrica não estiver a ser usada, guarde-a junto com os acessórios num lugar seguro. Ela deve ser guardada num local seco e que possa ser trancado.** Assim evita-se que a ferramenta elétrica sofra danos devido ao armazenamento ou que seja operada por pessoas inexperientes.
- ▶ **Controlar o cabo em intervalos regulares e permitir que um cabo danificado seja reparado por um serviço pós-venda autorizado para ferramentas elétricas Bosch. Substituir cabos de extensão danificados.** Desta forma é assegurada a segurança da ferramenta elétrica.
- ▶ **Ligue a máquina a uma rede elétrica devidamente ligada à terra.** A tomada e o cabo de extensão têm de ter um condutor de proteção funcional.
- ▶ **Mantenha o local de trabalho limpo.** As misturas de materiais são muito perigosas. Pó de metal leve pode queimar ou explodir.
- ▶ **Proteger o disco de lixa contra golpes, pancadas e gordura.**

Símbolos

Os seguintes símbolos podem ser importantes para a utilização da sua ferramenta elétrica. Os símbolos e os seus significados devem ser memorizados. A interpretação correta dos símbolos facilita a utilização segura e aprimorada da ferramenta elétrica.

Símbolos e seus significados



Manter as suas mãos afastadas da área do disco de rebarbar enquanto a ferramenta elétrica estiver em funcionamento. Há perigo de lesões se

Símbolos e seus significados

houver contacto com o disco de rebarbar.



Use proteção auditiva. Ruídos podem provocar a surdez.



Use óculos de proteção.



Use uma máscara de proteção contra pó.



Use luvas de proteção.

Descrição do produto e do serviço



Leia todas as instruções de segurança e instruções. A inobservância das instruções de segurança e das instruções pode causar choque elétrico, incêndio e/ou ferimentos graves.

Respeite as figuras na parte da frente do manual de instruções.

Utilização adequada

A ferramenta elétrica se destina a afiar ferramentas para retificar e rebarbar metal. A ferramenta elétrica só pode ser usada para períodos de funcionamento curtos (máx. 60 min).

Componentes ilustrados

A numeração dos componentes ilustrados refere-se à apresentação da ferramenta elétrica na página de esquemas.

- (1) Cobertura
- (2) Porca de aperto
- (3) Flange de aperto
- (4) Flange de admissão
- (5) Veio de retificação
- (6) Capa de proteção
- (7) Orifícios para montagem
- (8) Interruptor de ligar/desligar
- (9) Chave de bocas^{A)}
- (10) Suporte para proteção contra faíscas

(11) Proteção contra faíscas

(12) Apoio para peças

A) **Acessórios apresentados ou descritos não pertencem ao volume de fornecimento padrão. Todos os acessórios encontram-se no nosso programa de acessórios.**

Dados técnicos

Esmeriladora dupla		GBG 60-20
Número de produto		3 601 B7A 4..
Potência nominal absorvida P ₁	W	600
Potência de saída P ₂		
– 50 Hz	W	420
– 60 Hz	W	430
Modo de operação ^{A)}		S2 (60 min)
N.º de rotações em vazio		
– 50 Hz	r.p.m.	3000
– 60 Hz	r.p.m.	3600
Rosca do veio de retificação		M12
Discos de rebarbar		
– Diâmetro	mm	200
– Largura	mm	25
– Furo de central	mm	32
– Grão		24/60
Flange de admissão		
– Furo de central	mm	15
– Roço mín.	mm	1,5
Peso conforme EPTA-Procedure 01:2014	kg	16,5
Classe de proteção		Ⓜ/I

A) O modo de operação S2 (60 min) designa um período de funcionamento curto de no máx. 60 min. Depois desse tempo desligue a ferramenta elétrica e deixa-a arrefecer.

Os dados aplicam-se a uma tensão nominal [U] de 230 V. Com tensões divergentes e em versões específicas do país, estes dados podem variar.

Montagem

► **Antes de todos trabalhos na ferramenta elétrica deverá puxar a ficha de rede da tomada.**

- Fixe a ferramenta elétrica à bancada de trabalho nos quatro orifícios previstos (7) com parafusos apropriados.

Montar proteção contra faíscas/apoio para peças (ver figuras A–D)

- Monte o suporte para a proteção contra faíscas (10) com ambos os parafusos.
- Aparafuse a proteção contra faíscas (11) ao suporte para a proteção contra faíscas (10).
- Monte a superfície de apoio para peças (12) como ilustrado na figura.

- **Verifique regularmente a distância entre o apoio para peças (12) ou o suporte para a proteção contra faíscas (11) em relação ao disco de rebarbar e se necessário reajuste-a. A distância em relação ao disco de rebarbar não pode ser superior a 2 mm.** Se a distância for muito grande, a proteção contra faíscas não é suficiente. A peça pode ser puxada pelo movimento de rotação do disco de rebarbar e provocar ferimentos.
- **Utilize a ferramenta elétrica apenas com proteção contra faíscas (11) e rode-a tanto quanto possível para baixo.** As faíscas originadas podem lesionar os olhos ou incendiar objetos nas imediações.
- **Utilize a ferramenta elétrica apenas com o apoio para as peças. Não troque o apoio para as peças (12) direito e esquerdo.** Caso contrário, a distância entre o apoio para as peças (12) e o disco de rebarbar é demasiado grande. Se a distância for muito grande, a proteção contra faíscas não é suficiente. A peça pode ser puxada pelo movimento de rotação do disco de rebarbar e provocar ferimentos.

Substituição do disco de rebarbar

- **A velocidade nominal do acessório deve ser, no mínimo, igual à velocidade máxima indicada na ferramenta elétrica.** Os acessórios que forem utilizados a uma velocidade superior aquela para a qual foram concebidos poderão desintegrar-se e projetar fragmentos.
- **Discos de rebarbar, cujo diâmetro excede a indicação na ferramenta elétrica, não são permitidos.**
- **Utilize a ferramenta elétrica apenas com os acessórios montados nos dois veios.** Dessa forma é evitado o contacto com o veio em rotação.

Substitua o disco de rebarbar, se já não for possível ajustar o suporte para a proteção contra faíscas (10) para a distância solicitada de no máximo 2 mm em relação ao disco de rebarbar.

- Solte os três parafusos na cobertura (1) e retire a cobertura. Segure o veio de retificação (5) com uma chave de bocas (9) e desaperte a porca de aperto (2) do veio de retificação (5).

Nota: O veio de retificação do lado esquerdo da ferramenta elétrica (5) tem rosca à esquerda.

- Retire o flange de aperto (3) e o disco de rebarbar do veio de retificação (5).
- A montagem do disco de rebarbar novo é realizada em sequência invertida. Coloque a cobertura (1) com pressão firme e fixe a mesma com os três parafusos.

Retifique os discos de rebarbar irregulares com uma pedra de afiar (acessórios) antes de os continuar a usar.

- **Antes de todos trabalhos na ferramenta elétrica deverá puxar a ficha de rede da tomada.**

Aspiração de pó/de aparas

Pós de materiais como por exemplo, tintas que contém chumbo, alguns tipos de madeira, minerais e metais, podem

ser nocivos à saúde. O contacto ou a inalação dos pós pode provocar reações alérgicas e/ou doenças nas vias respiratórias do utilizador ou das pessoas que se encontrem por perto.

Certos pós, como por exemplo pó de carvalho e faia são considerados como sendo cancerígenos, especialmente quando juntos com substâncias para o tratamento de madeiras (cromato, preservadores de madeira). Material que contém asbesto só deve ser processado por pessoal especializado.

- Assegurar uma boa ventilação do local de trabalho.
- É recomendável usar uma máscara de proteção respiratória com filtro da classe P2.

Observe as diretivas para os materiais a serem processados, vigentes no seu país.

- ▶ **Evite a acumulação de pó no local de trabalho.** Pós podem entrar levemente em ignição.

Funcionamento

Colocação em funcionamento

- ▶ **Observar a tensão de rede! A tensão da fonte de corrente elétrica deve coincidir com os dados que constam na placa de características da ferramenta elétrica.** Ferramentas elétricas marcadas para 230 V também podem ser operadas com 220 V.
- ▶ **Verifique as ferramentas de lixar antes da utilização.** A ferramenta de lixar tem de estar corretamente montada e poder ser livremente rodada. Efetue um teste de funcionamento durante, pelo menos, 1 minuto, sem carga. Não utilize ferramentas de lixar danificadas, não redondas ou com vibrações. As ferramentas de lixar danificadas podem rebentar e causar ferimentos.

Ligar/desligar

- Para a **colocação em funcionamento** da ferramenta elétrica, desloque o interruptor de ligar/desligar **(8)** para a posição "I".
- Para **desligar** a ferramenta elétrica, desloque o interruptor de ligar/desligar **(8)** para a posição "0".

Instruções de trabalho

- ▶ **Só conduzir a ferramenta elétrica no sentido da peça a ser trabalhada quando estiver ligada e só a desligar depois de a levantar da peça.** A peça pode mover-se repentinamente.
- ▶ **Nunca toque no disco de rebarbar em movimento da ferramenta elétrica.** Isto pode levar a graves lesões.
- ▶ **Use um avental de trabalho. Certifique-se de que nenhuma pessoa fica em perigo devido às faíscas. Afaste materiais inflamáveis das proximidades.** São originadas faíscas quando se lixa metais.

Para o processamento de peças de metal duro deverão ser utilizados discos de rebarbar de carboneto de cálcio C (acessório).

- Coloque a peça a rebarbar no apoio para peças **(12)** e pressione ligeiramente contra o disco de rebarbar. Para alcançar resultados de lixamento ideais deverá movimentar a peça a ser trabalhada para cá e para lá. Além disso o disco de rebarbar é desgastado uniformemente.
- Arrefecer entretentes a peça a ser trabalhada com água.

Transporte

- Remova todos os acessórios que não estão montados firmemente na ferramenta elétrica.
- Enrole completamente o cabo de corrente elétrica e unalo.
- Para elevar ou transportar a ferramenta elétrica segure-a por baixo, nas duas tampas de proteção **(6)**. Pode apoiar a ferramenta elétrica na área dos furos para a montagem **(7)**.

- ▶ **Nunca utilize a proteção contra faíscas (11) ou o apoio para as peças (12)** para transportar a ferramenta elétrica.

Manutenção e assistência técnica

Manutenção e limpeza

- ▶ **Antes de todos trabalhos na ferramenta elétrica deverá puxar a ficha de rede da tomada.**
- ▶ **Manter a ferramenta elétrica e as aberturas de ventilação sempre limpas, para trabalhar bem e de forma segura.**

Se for necessário instalar um cabo de ligação, a instalação deve ser feita pela **Bosch** ou por um centro de serviço autorizado para ferramentas elétricas **Bosch**, para evitar perigos de segurança.

Serviço pós-venda e aconselhamento

O serviço pós-venda responde às suas perguntas a respeito de serviços de reparação e de manutenção do seu produto, assim como das peças sobressalentes. Desenhos explodidos e informações acerca das peças sobressalentes também em: **www.bosch-pt.com**

A nossa equipa de consultores Bosch esclarece com prazer todas as suas dúvidas a respeito dos nossos produtos e acessórios.

Indique para todas as questões e encomendas de peças sobressalentes a referência de 10 dígitos de acordo com a placa de características do produto.

Angola

Robert Bosch Ltd
Divisão de Ferramentas Elétricas
Estrada de Cacuaco 288
Luanda
Tel. : +244 927 584 446
<http://www.bosch-professional.com/ao/pt/>

Eliminação

Ferramentas elétricas, acessórios e embalagens devem ser enviados a uma reciclagem ecológica de matérias-primas.



Não deitar ferramentas elétricas no lixo doméstico!

中文

安全规章

电动工具通用安全警告

警告！ 阅读所有警告和所有说明！不遵照以下警告和说明会导致电击、着火和/或严重伤害。

保存所有警告和说明书以备查阅。

在所有下列的警告中术语“电动工具”指市电驱动（有线）电动工具或电池驱动（无线）电动工具。

工作场地的安全

- ▶ 保持工作场地清洁和明亮。混乱和黑暗的场地会引发事故。
- ▶ 不要在易爆环境，如有易燃液体、气体或粉尘的环境下操作电动工具。电动工具产生的火花会点燃粉尘或气体。
- ▶ 让儿童和旁观者离开后操作电动工具。注意力不集中会使操作者失去对工具的控制。

电气安全

- ▶ 电动工具插头必须与插座相配。绝不能以任何方式改装插头。需接地的电动工具不能使用任何转换插头。未经改装的插头和相配的插座将减少电击危险。
- ▶ 避免人体接触接地表面，如管道、散热片和冰箱。如果你身体接地会增加电击危险。
- ▶ 不得将电动工具暴露在雨中或潮湿环境中。水进入电动工具将增加电击危险。
- ▶ 不得滥用电缆。绝不能用电缆搬运、拉动电动工具或拔出其插头。使电缆远离热源、油、锐边或运动部件。受损或缠绕的软线会增加电击危险。
- ▶ 当在户外使用电动工具时，使用适合户外使用的外接软线。适合户外使用的软线将减少电击危险。

- ▶ 如果在潮湿环境下操作电动工具是不可避免的，应使用剩余电流动作保护器（RCD）。使用RCD可减小电击危险。

人身安全

- ▶ 保持警觉，当操作电动工具时关注所从事的操作并保持清醒。当你感到疲倦，或在有药物、酒精或治疗反应时，不要操作电动工具。在操作电动工具时瞬间的疏忽会导致严重人身伤害。
 - ▶ 使用个人防护装置。始终佩戴护目镜。安全装置，诸如适当条件下使用防尘面具、防滑安全鞋、安全帽、听力防护等装置能减少人身伤害。
 - ▶ 防止意外启动。确保开关在连接电源和/或电池盒、拿起或搬运工具时处于关断位置。手指放在已接通电源的开关上或开关处于接通时插入插头可能会导致危险。
 - ▶ 在电动工具接通之前，拿掉所有调节钥匙或扳手。遗留在电动工具旋转零件上的扳手或钥匙会导致人身伤害。
 - ▶ 手不要伸展得太长。时刻注意立足点和身体平衡。这样在意外情况下能很好地控制电动工具。
 - ▶ 着装适当。不要穿宽松衣服或佩戴饰品。让衣服、手套和头发远离运动部件。宽松衣服、配饰或长发可能会卷入运动部件中。
 - ▶ 如果提供了与排屑、集尘设备连接用的装置，要确保他们连接完好且使用得当。使用这些装置可减少尘屑引起的危险。
 - ▶ 即使由于经常使用电动工具而对此非常熟悉，也不要就认为可以高枕无忧而忽略工具的安全规定。粗心大意的行为可能在瞬间就造成严重的伤害。
- 电动工具使用和注意事项
- 电动工具使用和注意事项
- ▶ 不要滥用电动工具，根据用途使用适当的电动工具。选用适当设计的电动工具会使你工作更有效、更安全。
 - ▶ 如果开关不能接通或关断工具电源，则不能使用该电动工具。如果开关不能接通或关断工具电源，则不能使用该电动工具。
 - ▶ 在进行任何调节、更换附件或贮存电动工具之前，必须从电源上拔掉插头和/或使电池盒与工具脱开。这种防护性措施将减少工具意外启动的危险。
 - ▶ 将闲置不用的电动工具贮存在儿童所及范围之外，并且不要让不熟悉电动工具或对这些说明不

了解的人操作电动工具。电动工具在未经培训的用户手中是危险的。

- ▶ **保养电动工具。检查运动件是否调整到位或卡住，检查零件破损情况和影响电动工具运行的其他状况。如有损坏，电动工具应在使用前修理好。**许多事故由维护不良的电动工具引发。
- ▶ **保持切削刀具锋利和清洁。**保养良好的有锋利切削刃的刀具不易卡住而且容易控制。
- ▶ **按照使用说明书，考虑作业条件和进行的作业来使用电动工具、附件和工具的刀头等。**将电动工具用于那些与其用途不符的操作可能会导致危险。
- ▶ **保持手柄和握持表面干燥、清洁、无油污。**在突发情况下，滑溜的手柄和握持表面无法确保安全地握持和控制工具。

维修

- ▶ **将电动工具用于那些与其用途不符的操作可能会导致危险。**这样将确保所维修的电动工具的安全性。

台式打磨机安全警告

- ▶ **不得使用损坏的附件。每次使用前，检查砂轮等附件是否有碎片和裂纹。检查并安装附件后，使自己和旁观者远离旋转的附件的平面，并让电动工具以最大空载转速旋转一分钟。**损坏的附件通常在测试期间会裂开。
- ▶ **附件的额定转速必须至少等同于标注在电动工具上的最大转速。**如果附件转速超过其额定转速，可能会断裂并飞出。
- ▶ **切勿在磨头的两侧打磨。**在侧面打磨会导致磨头断裂并飞出。



请佩戴护目镜。

- ▶ **工具未完全静止时，不可离开工具。**如果工具仍继续转动，可能造成伤害。
- ▶ **妥善保存好不使用的电动工具和附件。存放处必须保持干燥并且能够上锁。**这样能够防止电动工具在储藏过程中受损，或避免不会操作机器的人使用它。
- ▶ **定期检查电线。损坏的电线只能交给博世电动工具授权的客户服务部门修理。更换损坏的延长电线。**这样将确保所用电动工具的安全性。
- ▶ **将设备与正常接地的电网连接。**电源插座和延长线必须带有功能完好的安全引线。

- ▶ **工作场地应保持清洁。**材料混合特别危险。轻金属粉尘可能会起火燃烧或爆炸。
- ▶ **保护磨具免受敲，撞并且要让磨具远离油脂。**

图标

以下符号可以帮助您正确地使用本电动工具。请牢记各符号和它们的代表意思。正确了解各符号的代表意思，可以帮助您更有把握更安全地操作本电动工具。

图标和它们的代表意义



当电动工具运转时，切勿把手放在砂轮范围内。手如果接触了砂轮可能受伤。



请佩戴听力防护装置。工作噪音会损坏听力。



请佩戴护目镜。



请佩戴防尘口罩。



佩戴保护手套。

产品和性能说明



请阅读所有安全规章和指示。不遵照以下警告和说明可能导致电击、着火和/或严重伤害。

请注意本使用说明书开头部分的图示。

按照规定使用

本电动工具适合磨利工具，进行研磨以及磨除金属的毛刺。本电动工具只能短期运转（最长60分钟）。

插图上的机件

机件的编号和电动工具详解图上的编号一致。

- (1) 盖子
- (2) 夹紧螺母

- (3) 夹紧法兰
- (4) 固定法兰
- (5) 研磨主轴
- (6) 防护罩
- (7) 安装孔
- (8) 电源开关
- (9) 开口扳手^{A)}
- (10) 火花挡块架
- (11) 火花挡块
- (12) 工件座

A) 图表或说明上提到的附件，并不包含在基本的供货范围中。本公司的附件清单中有完整的附件供应项目。

技术参数

双研磨机		GBG 60-20
物品代码		3 601 B7A 4..
额定输入功率 P_1	瓦	600
输出功率 P_2		
- 50赫兹	瓦	420
- 60赫兹	瓦	430
运行模式 ^{A)}		S2 (60分钟)
空载转速		
- 50赫兹	转/分钟	3000
- 60赫兹	转/分钟	3600
研磨主轴螺纹		M12
砂轮		
- 直径	毫米	200
- 宽度	毫米	25
- 接头孔径	毫米	32
- 目数		24/60
固定法兰		
- 接头孔径	毫米	15
- 最小开口	毫米	1.5
重量符合EPTA-Procedure 01:2014	千克	16.5
保护等级		☉/I

A) 运行模式S2 (60分钟) 表示最大运行时间为60分钟的短期运转。在该时间之后请停止电动工具并让其冷却。所有参数适用于230伏的额定电压[U]，对于其他不同的电压和国际规格，数据有可能不同。

安装

- ▶ 在电动工具上进行所有操作之前都必须从插座上拔出电源插头。
- 将电动工具用合适的螺栓固定到工作台/操作板上4个预设的孔(7)上。

安装火花挡块/工件座 (参见插图A-D)

- 通过两个螺栓安装火花挡块支架(10)。
- 将火花挡块(11)拧到火花挡块支架(10)上。
- 如图所示安装工件座(12)。
- ▶ 请定期检查工件座(12)或火花挡块支架(11)与砂轮之间的间距，必要时进行校准。与砂轮之间的间距不允许大于2毫米。间距过大时，无法充分防止您被火花溅到。工件可能因砂轮的旋转运动被拉入，并导致伤害。
- ▶ 只能带着火花挡块(11)使用本电动工具，并尽可能将其向下翻转。溅出的火花可能伤害眼睛或点燃周围的物品。
- ▶ 只能带着工件座使用本电动工具。不要混淆左右侧工件座(12)。否则工件座(12)与砂轮之间的间距过大。间距过大时，无法充分防止您被火花溅到。工件可能因砂轮的旋转运动被拉入，并导致伤害。

更换砂轮

- ▶ 附件的额定转速必须至少等同于标注在电动工具上的最大转速。如果附件转速超过其额定转速，可能会断裂并飞出。
- ▶ 不允许使用直径超出电动工具上数据的砂轮。
- ▶ 只能带着安装在两个主轴上的切削附件使用本电动工具。这样可避免接触到旋转的主轴。

当火花挡块支架(10)无法调节到所要求的最大2毫米的间距时，请更换砂轮。

- 松开盖板(1)上的3个螺栓，取下盖板。将砂轮(5)用开口扳手(9)固定，然后将锁紧螺母(2)从研磨主轴(5)上旋下。

提示：电动工具左侧出现的研磨主轴(5)为左螺纹。

- 将夹紧法兰(3)和砂轮从研磨主轴(5)上取下。
- 以反步骤安装新的砂轮。通过牢固的压力再次装上盖板(1)，并用三个螺栓将其拧紧。

继续使用旧的且不均匀的砂轮之前，先使用磨石(附件)修补砂轮。

- ▶ 在电动工具上进行所有操作之前都必须从插座上拔出电源插头。

吸锯尘/吸锯屑

含铅的颜料以及某些木材、矿物和金属的加工废尘有害健康。机器操作者或者工地附近的人如果接触、吸入这些废尘，可能会有过敏反应或者感染呼吸道疾病。

某些尘埃（例如加工橡木或山毛榉的废尘）可能致癌，特别是和处理木材的添加剂（例如木材的防腐剂等）结合之后。只有经过专业训练的人才能够加工含石棉的物料。

- 工作场所要保持空气流通。
- 最好佩戴P2滤网等级的口罩。

请留心并遵守贵国和加工物料有关的法规。

- ▶ **避免让工作场所堆积过多的尘垢。**尘垢容易被点燃。

运行

投入使用

- ▶ **注意电源电压！**电源的电压必须和电动工具铭牌上标示的电压一致。标记为230伏电动工具用220伏的电压可以驱动。
- ▶ **使用前，请先检查磨具。必须正确安装磨具，使其可以自由转动。进行至少1分钟的无负载试机。切勿使用损坏、变形或转动时会振动的磨具。**损坏的磨具可能断裂并造成伤害。

电源开关

- 如要**运行**电动工具，请将电源开关(8)摆动至位置“1”。
- 如要**关闭**电动工具，请将电源开关(8)摆动至位置“0”。

工作提示

- ▶ **只有在本电动工具启动后，才能将工件迎向电动工具；只有将工件移开后，方可关闭本电动工具。**工件可能会突然移动。
- ▶ **切勿用手抓握运行中的电动工具砂轮。**这样可能造成严重的伤害。
- ▶ **请穿戴工作围裙。要注意确保飞溅的火花不会伤到人。清除附近的可燃材料。**研磨金属时会有火花飞溅。

加工硬金属工件时要使用碳化硅砂轮C（附件）。

- 将要打磨的工件放在工件座(12)上，轻微按压到砂轮上。为了达到最佳的研磨效果，要轻轻地上下移动工件。这样子也能够均匀地磨耗砂轮。
- 要不时地在水中冷却工件。

运输

- 拆除所有无法固定安装在电动工具上的附件。
- 完全收起电源线并将其扎起来。
- 抬起或运输时，从下面在两个防护罩(6)位置握住电动工具。在孔的范围内装配(7)时，电动工具可为您提供支持。
- ▶ **运输电动工具时，切勿使用火花挡块(11)或工件座(12)。**

维修和服务

维护和清洁

- ▶ **在电动工具上进行所有操作之前都必须从插座上拔出电源插头。**
- ▶ **电动工具和通气孔必须随时保持清洁，以确保工作效率和工作安全。**

如果必须更换连接线，务必把这项工作交给Bosch或者经授权的Bosch电动工具顾客服务执行，以避免危害机器的安全性能。

客户服务和应用咨询

本公司顾客服务处负责回答有关本公司产品的修理、维护和备件的问题。备件的展开图纸和信息也可查看：www.bosch-pt.com

博世应用咨询团队乐于就我们的产品及其附件问题提供帮助。

询问和订购备件时，务必提供机器铭牌上标示的10位数物品代码。

香港和澳门特别行政区

罗伯特博世有限公司
香港北角英皇道625号，21楼
客户服务热线：+852 2101 0235
传真：+852 2590 9762
电子邮件：info@hk.bosch.com
www.bosch-pt.com.hk

中国大陆

博世电动工具（中国）有限公司 中国 浙江省 杭州市 滨江区 滨康路567号
102/1F 服务中心
邮政编码：310052
电话：(0571)8887 5566 / 5588
传真：(0571)8887 6688 x 5566# / 5588#
电邮：bsc.hz@cn.bosch.com
www.bosch-pt.com.cn

制造商地址：

Robert Bosch Power Tools GmbH
罗伯特·博世电动工具有限公司
70538 Stuttgart / GERMANY
70538 斯图加特 / 德国

处理废弃物

必须以符合环保要求的方式回收再利用电动工具、附件和包装材料。



请勿将电动工具扔到生活垃圾中！

繁體中文

安全注意事項

電動工具一般安全注意事項

警告 請詳讀工作臺及電動工具的所有安全警告與使用說明。若不遵照以下列出的指示，將可能導致電擊、著火和 / 或人員重傷。

保存所有警告和說明書以備查閱。

在所有警告中，「電動工具」此一名詞泛指：以市電驅動的（有線）電動工具或是以電池驅動的（無線）電動工具。

工作場地的安全

- ▶ 保持工作場地清潔和明亮。混亂和黑暗的場地會引發事故。
- ▶ 不要在易爆環境，如有易燃液體、氣體或粉塵的環境下操作電動工具。電動工具產生的火花會點燃粉塵或氣體。
- ▶ 讓兒童和旁觀者離開後操作電動工具。注意力不集中會使您失去對工具的控制。

電氣安全

- ▶ 電動工具插頭必須與插座相配。絕不能以任何方式改裝插頭。需接地的電動工具不能使用任何轉換插頭。未經改裝的插頭和相配的插座將減少電擊危險。
- ▶ 避免人體接觸接地表面，如管道、散熱片和冰箱。如果您身體接地會增加電擊危險。
- ▶ 不得將電動工具暴露在雨中或潮濕環境中。水進入電動工具將增加電擊危險。
- ▶ 不得濫用電線。絕不能用電線搬運、拉動電動工具或拔出其插頭。使電線遠離熱源、油、銳利邊緣或移動零件。受損或纏繞的軟線會增加電擊危險。
- ▶ 當在戶外使用電動工具時，使用適合戶外使用的延長線。適合戶外使用的軟線，將減少電擊危險。

- ▶ 如果在潮濕環境下操作電動工具是不可避免的，應使用剩餘電流動作保護器（RCD）。使用RCD可降低電擊危險。

人身安全

- ▶ 保持警覺，當操作電動工具時關注所從事的操作並保持清醒。當您感到疲倦，或在有藥物、酒精或治療反應時，不要操作電動工具。在操作電動工具時瞬間的疏忽會導致嚴重人身傷害。
- ▶ 使用個人防護裝置。始終佩戴護目鏡。安全裝置，諸如適當條件下使用防塵面具、防滑安全鞋、安全帽、聽力防護等裝置能減少人身傷害。
- ▶ 防止意外起動。確保開關在連接電源和 / 或電池盒、拿起或搬運工具時處於關閉位置。手指放在已接通電源的開關上或開關處於接通時插入插頭可能會導致危險。
- ▶ 在電動工具接通之前，拿掉所有調節鑰匙或扳手。遺留在電動工具旋轉零件上的扳手或鑰匙會導致人身傷害。
- ▶ 手不要伸展得太長。時刻注意立足點和身體平衡。這樣在意外情況下能很好地控制電動工具。
- ▶ 著裝適當。不要穿寬鬆衣服或佩戴飾品。讓您的衣物及頭髮遠離運動部件。寬鬆衣服、佩飾或長髮可能會捲入運動部件中。
- ▶ 如果提供了與排屑、集塵設備連接用的裝置，要確保他們連接完好且使用得當。使用這些裝置可減少塵屑引起的危險。
- ▶ 切勿因經常使用工具所累積的熟練感而過度自信，輕忽工具的安全守則。任何一個魯莽的舉動都可能瞬間造成人員重傷。

電動工具使用和注意事項

- ▶ 不要濫用電動工具，根據用途使用適當的電動工具。選用適當設計的電動工具會使您工作更有效、更安全。
- ▶ 如果開關不能開啟或關閉工具電源，則不能使用該電動工具。不能用開關來控制的電動工具是危險的且必須進行修理。
- ▶ 在進行任何調整、更換配件或貯存電動工具之前，必須從電源上拔掉插頭並 / 或取出電池盒。這種防護性措施將減少工具意外起動的危險。
- ▶ 將閒置不用的電動工具貯存在兒童所及範圍之外，並且不要讓不熟悉電動工具或對這些說明不瞭解的人操作電動工具。電動工具在未經培訓的用戶手中是危險的。

- ▶ **保養電動工具與配備。** 檢查運動件是否調整到位或卡住，檢查零件破損情況和影響電動工具運行的其他狀況。如有損壞，電動工具應在使用前修理好。許多事故由維護不良的電動工具引發。
- ▶ **保持切削刀具鋒利和清潔。** 保養良好的有鋒利切削刃的刀具不易卡住而且容易控制。
- ▶ **按照使用說明書，考慮作業條件和進行的作業來使用電動工具、配件和工具的刀頭等。** 將電動工具用於那些與其用途不符的操作可能會導致危險。
- ▶ **把手及握持區應保持乾燥、潔淨，且不得沾染任何油液或油脂。** 易滑脫的把手及握持區將無法讓您在發生意外狀況時安全地抓緊並控制工具。

檢修

- ▶ **將您的電動工具送交專業維修人員，必須使用同樣的備件進行更換。** 這樣將確保所維修的電動工具的安全性。

砂輪機安全警示

- ▶ **不可使用已受損的配件。** 每次使用前，請先檢查研磨砂輪等配件是否有缺口和裂縫。檢查並安裝好配件之後，請您與旁觀者遠離配件的旋轉平面，接著讓電動工具以最高空載速度，持續運轉一分鐘。配件若有受損，通常會在此測試期間分解。
- ▶ **配件的額定速率必須至少等於電動工具上所標示的最大速率。** 配件的運轉速度若高於其額定速率，可能會造成其破損並解體。
- ▶ **請勿用研磨砂輪側邊進行研磨。** 用側邊進行研磨會造成滾輪破裂或飛出。



請佩戴護目鏡。

- ▶ **工具未完全靜止時，不可離開工具。** 如果工具仍繼續轉動，可能造成傷害。
- ▶ **電動工具和配件不使用時請妥善收藏。** 存放處必須保持乾燥並且可以上鎖。這樣能夠防止電動工具在儲藏過程中受損，或避免不會操作機器的人使用它。
- ▶ **定期檢查電線。** 損壞的電線只能交給博世電動工授權的顧客服務處修理。延長電線如有受損，則須更換。這樣將確保所維修的電動工具的安全性。
- ▶ **請將裝置連接至合規的已接地市電電力網。** 插座與延長線都必須具有保護接地設計。

- ▶ **作業區請保持整潔。** 複合材質是極具危險性的材質。輕質合金粉塵可能會起火或爆炸。
- ▶ **保護磨具以免遭受衝擊、碰撞，並應遠離油脂。**

符號

以下符號可以幫助您正確地使用本電動工具。請牢記各符號和它們的代表意義。正確了解各符號代表的意思，可以幫助您更有把握更安全地操作本電動工具。

符號和它們的代表意義



當電動工具運轉時，切勿把手放在研磨砂輪範圍內。手如果碰觸到砂輪可能受傷。



請佩戴耳罩。工作噪音會損壞聽力。



請佩戴護目鏡。



請佩戴防塵面罩。



請戴上防護手套。

產品和功率描述



請詳讀所有安全注意事項和指示。如未遵守安全注意事項與指示，可能導致火災、人員遭受電擊及 / 或重傷。請留意操作說明書中最前面的圖示。

依規定使用機器

本電動工具適合磨利工具、進行研磨以及磨除金屬的毛刺。本電動工具只能短期運轉（最長 60 分鐘）。

插圖上的機件

機件的編號和電動工具詳解圖上的編號一致。

- (1) 護蓋
- (2) 迫緊螺母

- (3) 緊固法蘭
- (4) 配接法蘭
- (5) 磨削主軸
- (6) 防護罩
- (7) 安裝孔
- (8) 起停開關
- (9) 開口扳手^{A)}
- (10) 火花擋板固定裝置
- (11) 火花擋板
- (12) 工件托架

A) 圖表或說明上提到的配件，並不包含在基本的供貨範圍中。本公司的配件清單中有完整的配件供應項目。

技術性數據

雙研磨機		GBG 60-20
產品機號		3 601 B7A 4..
額定輸入功率 P ₁	W	600
輸出功率 P ₂		
- 50 Hz	W	420
- 60 Hz	W	430
操作模式 ^{A)}		S2 (60 分鐘)
無負載轉速		
- 50 Hz	次 / 分	3000
- 60 Hz	次 / 分	3600
磨削主軸螺紋		M12
研磨砂輪		
- 直徑	mm	200
- 寬度	mm	25
- 接頭孔徑	mm	32
- 粒度		24/60
配接法蘭		
- 接頭孔徑	mm	15
- 最小開槽	mm	1.5
重量符合 EPTA-Procedure 01:2014	kg	16.5
絕緣等級		⊕/I

A) S2 操作模式 (60 分鐘) 為短期運轉，連續工作時間不超過 60 分鐘。待時間結束後請您關閉電動工具，讓它降溫。

本說明書提供的參數是以 230 伏特為依據，於低電壓地區，此數據有可能不同。

安裝

► **維修電動工具或換裝零、配件之前，務必從插座上拔出插頭。**

- 請在電動工具上的四個安裝孔位 (7) 鎖上合適的螺栓以便將電動工具固定到工作桌 / 工作檯上。

安裝火花擋板 / 工件托架 (請參考圖 A-D)

- 請用兩顆螺栓安裝火花擋板固定裝置 (10)。
- 請用螺栓將火花擋板 (11) 鎖在火花擋板固定裝置 (10) 上。
- 請按圖中所示方式安裝工件托架 (12)。

► **定期檢查工件托架 (12) 或火花擋板固定裝置 (11) 到研磨砂輪之間的距離，必要時請重新調整。與研磨砂輪之間的間距不得超過 2 mm。間距太大時就無法充份發揮防護功用，此時您可能會被火花波及。研磨砂輪的旋轉動作可能將工件捲入機器內，而導致人員受傷。**

► **電動工具必須加裝火花擋板 (11) 後才能開始使用，請儘量將它向下移。飛濺出來的火花可能導致您的眼睛受傷或使附近的物品著火。**

► **電動工具必須加裝工件托架後才能開始使用。右側及左側的工件托架 (12) 不可混淆。否則工件托架 (12) 與研磨砂輪之間的距離會過大。間距太大時就無法充份發揮防護功用，此時您可能會被火花波及。研磨砂輪的旋轉動作可能將工件捲入機器內，而導致人員受傷。**

更換砂輪

► **配件的額定速率必須至少等於電動工具上所標示的最大速率。配件的運轉速度若高於其額定速率，可能會造成其破損並解體。**

► **所使用的研磨砂輪直徑不得超過此電動工具上的標示。**

► **兩支主軸必須都裝上工件工具後，才能使用電動工具。這樣的作法可避免觸及旋轉中的主軸。**

如果火花擋板固定裝置 (10) 不管再如何調整都無法與研磨砂輪之間達到所要求的最大間距 2 mm，請您更換研磨砂輪。

- 請先鬆開護蓋 (1) 上的三顆螺栓，然後取下護蓋。請用開口扳手 (9) 將磨削主軸 (5) 牢牢固定，然後將迫緊螺母 (2) 從磨削主軸 (5) 上旋下。

提示：磨削主軸 (5) 位於電動工具左側時，其螺紋為左螺旋螺紋。

- 取下磨削主軸 (5) 的緊固法蘭 (3) 和研磨砂輪。

– 依相反順序安裝新的研磨砂輪。將護蓋 (1) 重新裝上並用力按緊，然後用三顆螺柱將它鎖緊固定。

運作不順暢的舊研磨砂輪需先使用磨石（配件）進行修正，才能繼續使用。

▶ **維修電動工具或換裝零、配件之前，務必從插座上拔出插頭。**

吸鋸塵 / 吸鋸屑

含鉛的顏料及部分木材、礦物和金屬的加工廢塵有害健康。機器操作者或者工地附近的人如果接觸、吸入這些廢塵，可能會有過敏反應或者感染呼吸道疾病。

特定粉塵（例如加工橡木或山毛櫸的廢塵）可能致癌，特別是與處理木材的添加劑（例如木材的防腐劑等）混合之後。只有經過專業訓練的人才允許加工含石棉的物料。

– 工作場所要保持空氣流通。

– 建議佩戴 P2 濾網等級的口罩。

請留意並遵守貴國與加工物料有關的法規。

▶ **避免讓工作場所堆積過多的塵垢。**塵埃容易被點燃。

操作

操作機器

▶ **請注意電源電壓！**電源的電壓必須和電動工具銘牌上標示的電壓一致。標示為 230 V 的電動工具亦可接上 220 V 電源。

▶ **開機前，先檢查是否已經正確地安裝好磨具，觀察磨具轉動時會不會產生磨擦，並且要進行至少 1 分鐘的無負載試機。切勿使用損壞、變形或轉動時會震動的磨具。**損壞的磨具可能斷裂並造成人員受傷。

啟動 / 關閉

– 若要讓電動工具**開始運轉**，請將起停開關 (8) 扳至「I」位置。

– 若要**關閉**電動工具，請將起停開關 (8) 扳至「O」位置。

作業注意事項

▶ **先啟動電動工具再把工件放置到它上面進行加工，並且待您將工件拿起後才可關閉電動工具。**工件的移動可能會有瞬間暴衝之情形。

▶ **電動工具的研磨砂輪若仍在轉動，切勿將手伸進去。**這樣可能造成人員重傷。

▶ **請穿上工作圍裙。請注意：噴濺的火花不會波及任何人。請將附近的易燃材料清走。**研磨材料時會有火花噴濺。

加工硬金屬工件時要使用碳化矽砂輪 C（配件）。

– 請將要研磨的工件放到工件托架 (12) 上，然後輕輕往研磨砂輪方向頂。為了達到最佳研磨效果，請將工件輕輕地來回移動。這樣子也能使砂輪均勻磨耗。

– 請不時將工件入水中冷卻。

搬運

– 拆除所有無法固定在電動工具上的配件。

– 將電源線全部收起來，然後將它綁好。

– 若要抬起或搬運本電動工具，請從底部將手握在兩個防護罩 (6) 上。您可以從安裝孔位 (7) 附近的位置支撐電動工具。

▶ **搬運時，電動工具請勿裝上火花擋板 (11) 或工件托架 (12)。**

維修和服務

維修和清潔

▶ **維修電動工具或換裝零、配件之前，務必從插座上拔出插頭。**

▶ **電動工具和通風口都必須保持清潔，這樣才能夠提高工作品質和安全性。**

如果必須更換連接線，請務必交由 **Bosch** 或者經授權的 **Bosch** 電動工具顧客服務執行，以避免危害機器的安全性能。

顧客服務處和顧客諮詢中心

本公司顧客服務處負責回答有關本公司產品的維修、維護和備用零件的問題。以下的網頁中有分解圖和備用零件相關資料：www.bosch-pt.com

如果對本公司產品及其配件有任何疑問，博世應用諮詢小組很樂意為您提供協助。

當您需要諮詢或訂購備用零件時，請務必提供本產品型號銘牌上 10 位數的產品機號。

中國香港和澳門特別行政區

羅伯特·博世有限公司

香港北角英皇道625號21樓

客戶服務熱線：+852 2101 0235

傳真：+852 2590 9762

電子郵件：info@hk.bosch.com

www.bosch-pt.com.hk

台灣

台灣羅伯特博世股份有限公司

建國北路一段90號6樓

台北市10491

電話：(02) 7734 2588

傳真: (02) 2516 1176
www.bosch-pt.com.tw

製造商地址:

Robert Bosch Power Tools GmbH
羅伯特·博世電動工具有限公司
70538 Stuttgart / GERMANY
70538 斯圖加特/ 德國

廢棄物處理

必須以符合環保的方式，回收再利用損壞的機器、配件和廢棄的包裝材料。



不可以把電動工具丟入一般的家庭垃圾中。

การหันเหความสนใจอาจทำให้ท่านขาดการควบคุมเครื่องไต่

ความปลอดภัยเกี่ยวกับไฟฟ้า

- ▶ ปลั๊กของเครื่องมือไฟฟ้าต้องเหมาะสมพอดีกับเต้าเสียบ อย่าตัดแปลงปลั๊กไม่ว่าในลักษณะใดๆ อย่างเด็ดขาด อย่าใช้ปลั๊กฟ่วงต่อใดๆ กับเครื่องมือไฟฟ้าที่มีสายดิน ปลั๊กที่ไม่ตัดแปลงและเต้าเสียบที่เข้ากันช่วยลดความเสี่ยงจากการถูกไฟฟ้าดูด
- ▶ หลีกเลี่ยงอย่าให้ร่างกายสัมผัสกับพื้นผิวที่ต่อสายดินหรือลงกราวด์ไว้ เช่น ท่อ เครื่องทำความร้อน เตา และตู้เย็น จะเสี่ยงอันตรายจากการถูกไฟฟ้าดูดมากขึ้นหากกระแสไฟฟ้าวิ่งผ่านร่างกายของท่านลงดิน
- ▶ อย่าให้เครื่องมือไฟฟ้าถูกฝนหรืออยู่ในสภาพเปียกชื้น หากน้ำเข้าในเครื่องมือไฟฟ้า จะเพิ่มความเสี่ยงจากการถูกไฟฟ้าดูด
- ▶ อย่าใช้สายไฟฟ้าในทางที่ผิด อย่าใช้สายไฟฟ้าเพื่อยก ding หรือถอดปลั๊กเครื่องมือไฟฟ้า กั้นสายไฟฟ้าออกจากความร้อน น้ำมัน ขอบแหลมคม หรือชิ้นส่วนที่เคลื่อนที่ สายไฟฟ้าที่ชำรุดหรือพันกันยุ่งเพิ่มความเสี่ยงจากการถูกไฟฟ้าดูด
- ▶ เมื่อใช้เครื่องมือไฟฟ้าทำงานกลางแจ้ง ให้ใช้สายไฟต่อที่เหมาะสมสำหรับการทำงานกลางแจ้ง การใช้สายไฟต่อที่เหมาะสมสำหรับงานกลางแจ้ง ช่วยลดอันตรายจากการถูกไฟฟ้าดูด
- ▶ หากไม่สามารถหลีกเลี่ยงการใช้เครื่องมือไฟฟ้าทำงานในสถานที่เปียกชื้นได้ ให้ใช้สวิตซ์ตัดวงจรเมื่อเกิดการรั่วไหลของไฟฟ้าจากสายดิน (RCD) การใช้สวิตซ์ตัดวงจรเมื่อเกิดการรั่วไหลของไฟฟ้าจากสายดินช่วยลดความเสี่ยงต่อการถูกไฟฟ้าดูด

ไทย

คำเตือนเพื่อความปลอดภัย

คำเตือนเพื่อความปลอดภัยทั่วไปสำหรับเครื่องมือไฟฟ้า

คำเตือน

อ่านคำเตือนเพื่อความปลอดภัย คำแนะนำ ภาพประกอบ และข้อมูล

จำเพาะทั้งหมดที่จัดส่งมาพร้อมกับเครื่องมือไฟฟ้า

การไม่ปฏิบัติตามคำแนะนำทั้งหมดที่ระบุไว้ด้านล่างนี้อาจทำให้ถูกไฟฟ้าดูด เกิดไฟไหม้ และ/หรือได้รับบาดเจ็บอย่างร้ายแรง

เก็บรักษาคำเตือนและคำสั่งทั้งหมดสำหรับเปิดอ่านในภายหลัง

คำว่า "เครื่องมือไฟฟ้า" ในคำเตือนหมายถึง เครื่องมือไฟฟ้าของท่านที่ทำงานด้วยพลังงานไฟฟ้าจากแหล่งจ่ายไฟหลัก (มีสายไฟฟ้า) และเครื่องมือไฟฟ้าที่ทำงานด้วยพลังงานไฟฟ้าจากแบตเตอรี่ (ไร้สาย)

ความปลอดภัยในสถานที่ทำงาน

- ▶ รักษาสถานที่ทำงานให้สะอาดและมีไฟส่องสว่างดี สถานที่ที่มีมืดหรือกรงรังน่านาซึ่งอุบัติเหตุ
- ▶ อย่าใช้เครื่องมือไฟฟ้าทำงานในสภาพบรรยากาศที่จุดติดไฟได้ เช่น ในที่มีมีของเหลวไวไฟ ก๊าซ หรือฝุ่น เมื่อใช้เครื่องมือไฟฟ้าจะเกิดประกายไฟซึ่งอาจจุดฝุ่นหรือไอให้ลุกเป็นไฟได้
- ▶ ขณะใช้เครื่องมือไฟฟ้าทำงาน ต้องกั้นเด็กและผู้ยืนดูให้ออกห่าง

ความปลอดภัยของบุคคล

- ▶ ท่านต้องอยู่ในสภาพเตรียมพร้อม ระมัดระวังในสิ่งที่ท่านกำลังทำอยู่ และมีสติขณะใช้เครื่องมือไฟฟ้าทำงาน อย่าใช้เครื่องมือไฟฟ้าขณะที่ท่านกำลังเหนื่อย หรืออยู่ภายใต้การครอบงำของฤทธิ์ของยาเสพติด แอลกอฮอล์ และยา เมื่อใช้เครื่องมือไฟฟ้าทำงานในช่วงเวลาที่ท่านขาดความเอาใจใส่อาจทำให้บุคคลบาดเจ็บอย่างรุนแรงได้
- ▶ ใช้อุปกรณ์ปกป้องร่างกาย สวมแว่นตานิยมกันเสมอ อุปกรณ์ปกป้อง เช่น หน้ากากกันฝุ่น รองเท้ากันลื่น หมวกกันชน หรือประภททุกชิ้นเสียงดังที่ใช้ตามความเหมาะสมกับสภาพการทำงาน จะลดการบาดเจ็บทางร่างกาย
- ▶ ป้องกันการติดเครื่องโดยไม่ตั้งใจ ตรวจสอบให้แน่ใจว่าสวิตซ์อยู่ในตำแหน่งปิดก่อนเชื่อมต่อเข้ากับแหล่ง

- จ่ายไฟ และ/หรือแบตเตอรี่แพ็ค ยกหรือถือเครื่องมือ การถือเครื่องโดยใช้นิ้วหัวที่สวิตช์ หรือเสียบปลั๊ก ไฟฟ้าขณะสวิตช์เปิดอยู่ อาจนำไปสู่อุบัติเหตุที่ร้ายแรงได้
- ▶ นำเครื่องมือปรับแต่งหรือประแจปากคายนอกก่อนเปิด สวิตช์เครื่องมือไฟฟ้า เครื่องมือหรือประแจปาก คายนที่วางอยู่กับส่วนหนึ่งของเครื่องที่กำลังหมุนจะทำให้บุคคล บาดเจ็บได้
 - ▶ อย่าเอื้อมไกลเกินไป ดึงท้ายขึ้นที่มั่นคงและวางน้ำหนักให้ สมดุลตลอดเวลา ในลักษณะนี้ท่านสามารถควบคุมเครื่องมือไฟฟ้าในสถานการณ์ที่ไม่คาดคิดได้ดีกว่า
 - ▶ แต่งกายอย่างเหมาะสม อย่าใส่เสื้อผ้าหลวมหรือสวม เครื่องประดับ เหนวมและเสื้อผ้าออกห่างจากชิ้นส่วนที่ เคลื่อนที่ เสื้อผ้าหลวม เครื่องประดับ และผม ยาวอาจเข้าไปติดในชิ้นส่วนที่เคลื่อนที่
 - ▶ หากเครื่องมือไฟฟ้ามีข้อเชื่อมต่อกับเครื่องดูดฝุ่นหรือ เครื่องเก็บผง ให้ตรวจสอบให้แน่ใจว่าได้เชื่อมต่อและ ใช้งานอย่างถูกต้อง การใช้อุปกรณ์ดูด ฝุ่นช่วยลดอันตรายที่เกิดจากฝุ่นได้
 - ▶ เมื่อใช้งานเครื่องมือบ่อยครั้งจะเกิดความคุ้นเคย อย่าให้ ความคุ้นเคยทำให้ท่านเกิดความชะล่าใจและละเลยกฎ เกณฑ์ด้านความปลอดภัยในการใช้งานเครื่อง การ ทำงานอย่างไม่ระมัดระวังอาจทำให้เกิดการบาดเจ็บอย่างร้ายแรงภายในเสี้ยววินาที

การใช้และการดูแลรักษาเครื่องมือไฟฟ้า

- ▶ อย่างผืนกำลังเครื่องมือไฟฟ้า ใช้เครื่องมือไฟฟ้าที่ถูก ต้องตรงตามลักษณะงานของท่าน เครื่องมือไฟฟ้าที่ถูก ต้องจะทำงานได้ดี กว่าและปลอดภัยกว่าในระดับสมรรถภาพที่ออกแบบไว้
 - ▶ อย่าใช้เครื่องมือไฟฟ้าถ้าสวิตช์ไม่สามารถเปิดปิดได้ เครื่องมือไฟฟ้าที่ไม่สามารถควบคุมการเปิดปิดด้วยสวิตซ์ได้ เป็นเครื่องมือ ไฟฟ้าที่ไม่ปลอดภัยและต้องส่งซ่อมแซม
 - ▶ ก่อนปรับแต่งเครื่อง เปลี่ยนอุปกรณ์ประกอบ หรือเก็บ เครื่องเข้าที่ ต้องถอดปลั๊กออกจากแหล่งจ่ายไฟ และ/ หรือถอดแบตเตอรี่แพ็คออกจากเครื่องมือไฟฟ้าหาก ถอดออกได้
- มาตรการป้องกันเพื่อความปลอดภัยนี้ช่วยลดความ เสี่ยงจากการติดเครื่องโดยไม่ตั้งใจ
- ▶ เมื่อเลิกใช้งานเครื่องมือไฟฟ้า ให้เก็บเครื่องมือในที่ที่ เด็กหยิบไม่ถึง และไมอนุญาตให้บุคคลที่ไม่คุ้นเคยกับ เครื่องหรือบุคคลที่ไม่ได้อ่านคำแนะนำเหล่านี้ใช้เครื่อง เครื่องมือไฟฟ้าเป็นของอันตรายหากตกอยู่ในมือของผู้ ไซท์ที่ไม่ได้รับการฝึกฝน

- ▶ บำรุงรักษาเครื่องมือไฟฟ้าและอุปกรณ์ประกอบ ตรวจ สอบชิ้นส่วนที่เคลื่อนที่ที่วางไม่ตรงแนวหรือติดขัดหรือ ไม่ ตรวจหาการแตกหักของชิ้นส่วนและสภาพอื่นใดที่ อาจมีผลต่อการทำงานของเครื่องมือไฟฟ้า หากชำรุด ต้องส่งเครื่องมือไฟฟ้าไปซ่อมแซมก่อนใช้งาน อุบัติเหตุหลายอย่างเกิดขึ้นเนื่องจากดูแลรักษาเครื่อง ไม่ ดีพอ
- ▶ รักษาเครื่องมือตัดให้คมและสะอาด หากบำรุงรักษาเครื่องมือที่มีขอบตัดแหลมคมอย่างถูกต้อง จะสามารถตัดได้สั้นไม่ติดขัดและควบคุมได้ง่ายกว่า
- ▶ ใช้เครื่องมือไฟฟ้า อุปกรณ์ประกอบ เครื่องมือ และอุปกร ณ์อื่นๆ ตรงตามคำแนะนำเหล่านี้ โดยคำนึงถึง เงื่อนไขการทำงานและงานที่จะทำ การใช้เครื่อง มือไฟฟ้าทำงานที่ต่างไปจากวัตถุประสงค์การ ใช้งานของเครื่อง อาจนำไปสู่สถานการณ์ที่เป็นอันตรายได้
- ▶ ดูแลตามจับและพื้นผิวจับให้แห้ง สะอาด และปราศจาก คราบน้ำมันและจาระบี ตามจับและพื้นผิว จับที่ลื่นทำให้หยิบจับได้ไม่ปลอดภัย และไม่สามารถควบคุมเครื่องมือในสถานการณ์ที่ไม่คาดคิด

การบริการ

- ▶ ส่งเครื่องมือไฟฟ้าของท่านเข้ารับบริการจากช่าง ซ่อมที่มีคุณสมบัติเหมาะสม โดยใช้ชื่อผลิตภัณฑ์เหมือน กันเท่านั้น ในลักษณะนี้ท่านจะแน่ใจได้ว่าเครื่อง มือไฟฟ้าอยู่ในสภาพที่ปลอดภัย

คำเตือนเพื่อความปลอดภัยสำหรับเครื่องเจียร์ระ โน ตั้งโต๊ะ

- ▶ อย่าใช้อุปกรณ์ประกอบที่ชำรุด ตรวจสอบอุปกรณ์ ประกอบก่อนใช้งานทุกครั้ง เช่น งานขัดให้ดูรอยบิ่น และรอยแตกร้าว หลังจากตรวจสอบและติดตั้งอุปกรณ์ ประกอบแล้ว ตัวท่านเองและบุคคลที่อยู่ใกล้เคียงต้อง อยู่ห่างจากระบบของอุปกรณ์ประกอบที่หมุน และ ปลอดภัยเครื่องมือไฟฟ้าเดินตัวเปล่าที่ความเร็วสูงสุดนาน หนึ่งนาที
- ตามปกติอุปกรณ์ประกอบที่ชำรุดจะแตกออกเป็นชิ้นๆ ในช่วงเวลาทดสอบนี้
- ▶ ความเร็ว
- รอบกำหนดของอุปกรณ์ประกอบต้องเท่ากับความเร็วรอบสูงสุดที่ระบุไว้บนเครื่องมือไฟฟ้าเป็นอย่างน้อย อุปกรณ์ประกอบที่หมุนเร็วกว่าความเร็วรอบกำหนดของตัวเองอาจแตกและกระเด็นออกเป็นชิ้นๆ
- ▶ อย่าเจียร์ด้วยด้านข้างของล้อเจียร์ระ โนอย่างเด็ดขาด การเจียร์ด้วยด้านข้างของล้ออาจทำให้ล้อแตกและ กระเด็นออกเป็นชิ้นๆ



สวมแว่นตาป้องกันอันตราย

- ▶ อย่าปล่อยมือจากเครื่องจนกว่าเครื่องจะหยุดสนิทแล้ว เครื่องมือตัดที่ยังวิ่งอยู่อาจทำให้บาดเจ็บได้
- ▶ จัดเก็บเครื่องมือไฟฟ้าและอุปกรณ์ประกอบที่ไม่ได้ใช้งานอย่างปลอดภัย สถานที่เก็บรักษาต้องแห้งและปิดล็อคได้ ในลักษณะนี้จะป้องกันไม่ให้อุปกรณ์ไฟฟ้าได้รับความเสียหายจากการเก็บรักษาหรือถูกนำไปใช้งานโดยบุคคลที่ไม่มีประสบการณ์
- ▶ ตรวจสอบสายไฟฟ้าเป็นประจำ และส่งสายไฟฟ้าที่ชำรุดไปซ่อมแซมที่ศูนย์บริการลูกค้าที่ได้รับมอบหมายสำหรับเครื่องมือไฟฟ้า บอช เท่านั้น เปลี่ยนสายไฟต่อพ่วงที่ชำรุด ในลักษณะนี้ท่านจะแน่ใจได้ว่าเครื่องมือไฟฟ้าอยู่ในสภาพที่ปลอดภัย
- ▶ เชื่อมต่อเครื่องกับโครงข่ายไฟฟ้าที่มีสายดินอย่างถูกต้อง เต่าเสียและสายไฟต่อพ่วงต้องมีสายดินป้องกันที่พร้อมใช้งาน
- ▶ รักษาสถานที่ทำงานให้สะอาด การผสมผสานของวัสดุเป็นอันตรายอย่างยิ่งฝุ่นละอองโลหะอาจเผาไหม้หรือระเบิดได้
- ▶ ป้องกันเครื่องมือเจียรจากการกระทบกระแทกและจากจาระบี

สัญลักษณ์

สัญลักษณ์ต่อไปนี้มีความสำคัญต่อการใช้เครื่องมือไฟฟ้าของท่าน กรุณาจดจำสัญลักษณ์และความหมาย การแปลความสัญลักษณ์ใดถูกต้องจะช่วยให้ท่านใช้เครื่องมือไฟฟ้าได้ดีและปลอดภัยกว่า

สัญลักษณ์และความหมายของสัญลักษณ์



เอามือของท่านออกห่างจากบริเวณล้อเจียรขณะเครื่องมือไฟฟ้ากำลังวิ่ง อันตรายจากการบาดเจ็บเมื่อสัมผัสล้อเจียร



สวมอุปกรณ์ป้องกันเสียง การรับฟังเสียงดังอาจทำให้สูญเสียการได้ยิน



สวมแว่นตาป้องกันอันตราย

สัญลักษณ์และความหมายของสัญลักษณ์



สวมหน้ากากป้องกันฝุ่น



สวมถุงมือป้องกัน

รายละเอียดผลิตภัณฑ์และข้อมูล

จำเพาะ



อ่านคำเตือนเพื่อความปลอดภัยและคำแนะนำทั้งหมด การไม่ปฏิบัติตามคำเตือนและคำสั่งอาจเป็นสาเหตุให้อุปกรณ์ไฟฟ้าเกิดไฟไหม้และ/หรือได้รับบาดเจ็บอย่างร้ายแรง

กรุณาดูภาพประกอบในส่วนหน้าของคู่มือการใช้งาน

ประโยชน์การใช้งานของเครื่อง

เครื่องมือไฟฟ้านี้ใช้สำหรับลับคมเครื่องมือ รวมทั้งเจียรและขัดเสี้ยนโลหะ เครื่องมือไฟฟ้านี้สามารถใช้งานเฉพาะในระยะเวลาสั้นๆ เท่านั้น (สูงสุด 60 นาที)

ส่วนประกอบที่แสดงภาพ

ลำดับเลขของส่วนประกอบผลิตภัณฑ์ข้างถึงส่วนประกอบของเครื่องที่แสดงในหน้าภาพประกอบ

- (1) ฝาครอบ
- (2) น็อตยึด
- (3) หน้าแปลนยึด
- (4) หน้าแปลนติดตั้ง
- (5) แกนเครื่อง
- (6) กระจับป้องกัน
- (7) รูสำหรับติดตั้ง
- (8) สวิตช์เปิด-ปิด
- (9) ประแจปากตาย^{A)}
- (10) ตัวยึดสำหรับการ์ดป้องกันประกายไฟ
- (11) การ์ดป้องกันประกายไฟ
- (12) อุปกรณ์หมุนชิ้นงาน

A) อุปกรณ์ประกอบที่แสดงภาพหรืออธิบายไม่รวมอยู่ในการจัดส่งมาตรฐาน กรุณาดูอุปกรณ์ประกอบทั้งหมดในรายการแสดงอุปกรณ์ประกอบของเรา

ข้อมูลทางเทคนิค

แท่นเจียร์แบบล้อเจียร์คู่		GBG 60-20
หมายเลขสินค้า		3 601 B7A 4..
กำลังไฟฟ้าที่ติดตั้งเข้า P ₁	วัตต์	600
กำลังไฟฟ้าด้านออก P ₂		
- 50 เฮิร์ตซ์	วัตต์	420
- 60 เฮิร์ตซ์	วัตต์	430
โหมดการทำงาน ^{A)}		S2 (60 นาที)
ความเร็วรอบเดินตัวเปล่า		
- 50 เฮิร์ตซ์	นาที ¹	3000
- 60 เฮิร์ตซ์	นาที ¹	3600
เกลียวแกนเครื่อง		M12
ล้อเจียร์		
- เส้นผ่าศูนย์กลาง	มม.	200
- ความกว้าง	มม.	25
- รูตึตตั้ง	มม.	32
- ขนาดเม็ด		24/60
หน้าแปลนตึตตั้ง		
- รูตึตตั้ง	มม.	15
- ล้วนเว้า น้อยสุด	มม.	1.5
น้ำหนักตามระเบียบการ EPTA-Procedure 01:2014	กก.	16.5
ระดับความปลอดภัย		⊕/I

A) โหมดการทำงาน S2 (60 นาที) กำหนดการทำงานระยะเวลาสั้นๆ ที่ระยะเวลาการทำงานสูงสุด 60 นาที หลังจากช่วงเวลานี้ให้ปิดสวิตช์เครื่องมือไฟฟ้าและปล่อยให้เครื่องเย็นลง

ค่าที่ให้นี้ใช้ได้กับแรงดันไฟฟ้าอโนมอล [U] 230 โวลต์ค่าเหล่านี้ อาจเปลี่ยนแปลงไปสำหรับแรงดันไฟฟ้าที่แตกต่างกัน และโมเดลที่ผลิตสำหรับเฉพาะประเทศ

การติดตั้ง

▶ ดึงปลั๊กไฟออกจากเต้าเสียบก่อนปรับแต่งเครื่อง

- ใช้สลักที่เหมาะสมยึดเครื่องมือไฟฟ้าเข้ากับโต๊ะทำงาน/ที่อปเคาน์เตอร์ที่รู (7) สลักที่จัดไว้ให้

การติดตั้งการป้องกันประกายไฟ/อุปกรณ์หมุนขึ้นงาน (ดูภาพประกอบ A-D)

- ติดตั้งตัวยึดสำหรับการป้องกันประกายไฟ (10) ด้วยสลักรูสองตัว

- ชั้นการป้องกันประกายไฟ (11) เข้ากับตัวยึดสำหรับการป้องกันประกายไฟ (10)
- ติดตั้งอุปกรณ์หมุนขึ้นงาน (12) ดังแสดงในภาพประกอบ ▶ **ตรวจสอบระยะห่างระหว่างอุปกรณ์หมุนขึ้นงาน (12) และตัวยึดสำหรับการป้องกันประกายไฟ (11) ไม่ปล่อยให้ล้อเจียร์ประจําและปรับใหม่ตามต้องการ ระยะห่างไปยังล้อเจียร์ต้องไม่เกิน 2 มม.** หากมีระยะห่างมากขึ้นท่านจะไม่ได้รับการปกป้องจากประกายไฟอย่างพอเพียง ชิ้นงานอาจถูกดึงเข้ามาโดยการเคลื่อนหมุนของล้อเจียร์และนำไปสู่การบาดเจ็บได้
- ▶ **ใช้เครื่องมือไฟฟ้าร่วมกับการป้องกันประกายไฟ (11) เท่านั้นและหมุนการคลงเท้าที่เป็นไปได้** ประกายไฟที่เล็ดลอดออกมาอาจทำร้ายดวงตาของท่านหรือจุดไฟเผาวัตถุรอบข้าง
- ▶ **ใช้เครื่องมือไฟฟ้าร่วมกับอุปกรณ์หมุนขึ้นงานเท่านั้น** อย่าสับเปลี่ยนอุปกรณ์หมุนขึ้นงานด้านขวาและด้านซ้าย (12) มิฉะนั้นระยะห่างระหว่างอุปกรณ์หมุนขึ้นงาน (12) และล้อเจียร์จะมากขึ้นไป หากมีระยะห่างมากขึ้นท่านจะไม่ได้รับการปกป้องจากประกายไฟอย่างพอเพียง ชิ้นงานอาจถูกดึงเข้ามาโดยการเคลื่อนหมุนของล้อเจียร์และนำไปสู่การบาดเจ็บได้

การเปลี่ยนล้อเจียร์

▶ ความเร็ว

รอบกำหนดของอุปกรณ์ประกอบต้องเท่ากับความเร็วรอบสูงสุดที่ระบุไว้บนเครื่องมือไฟฟ้าเป็นอย่างน้อย อุปกรณ์ประกอบที่หมุนเร็วกว่าความเร็วรอบกำหนดของตัวเองอาจแตกและกระเด็นออกเป็นชิ้นๆ

▶ ไม่อนุญาตให้ใช้ล้อเจียร์ที่มีขนาดเส้นผ่าศูนย์กลางเกินกว่าข้อกำหนดที่ระบุไว้บนเครื่องมือไฟฟ้า

▶ ใช้เครื่องมือไฟฟ้าร่วมกับเครื่องมือที่ติดตั้งบนแกนทั้ง สองเท่านั้น

ในลักษณะนี้ท่านจะหลีกเลี่ยงการสัมผัสกับแกนหมุน

เปลี่ยนล้อเจียร์เมื่อไม่สามารถปรับตัวยึดสำหรับการป้องกันประกายไฟ (10) ให้ได้ระยะห่างที่ต้องการคือไม่เกิน 2 มม. จากล้อเจียร์

- คลายสลกรูสามตัวที่ฝาครอบ (1) และถอดฝาครอบออก จับแกนเครื่อง (5) ให้แน่นด้วยประแจปากตาย (9) และขันน็อตยึด (2) ออกจากแกนเครื่อง (5)

หมายเหตุ: แกนเครื่อง (5) ที่ด้านซ้ายของเครื่องมือไฟฟ้ามีเกลียวซ้าย

- ถอดน็อตยึด (3) และล้อเจียร์ออกจากแกนเครื่อง (5)
- ติดตั้งล้อเจียร์ใหม่เข้าตามลำดับย้อนกลับ ใส่ฝาครอบ (1) กลับเข้าที่โดยกดอย่างมั่นคงและขันฝาครอบให้แน่นด้วยสลกรูสามตัว

ตกแต่เงยเงยที่ไข้แล้วและเยื้องศูนย์กลางด้วยหินลับ (อุปกรณ์ประกอบ) ก่อนนำไปใช้งานต่อ

▶ ดึงปลั๊กไฟออกจากเต้าเสียบก่อนปรับแต่งเครื่อง

การดูดฝุ่น/ซีลื้อย

ฝุ่นที่ได้จากวัสดุ เช่น เคลือบผิวที่มีสารตะกั่ว ไม้ยางประเภท แร่ธาตุ และโลหะ อาจเป็นอันตรายต่อสุขภาพ การ สัมผัสหรือการหายใจเอาฝุ่นเข้าไปอาจทำให้เกิดปฏิกิริยาแพ้ ฝุ่น และ/หรือนำมาซึ่งโรคติดต่อระบบหายใจแก่ผู้ ใช้งานหรือผู้ที่ยืนอยู่ใกล้เคียง

ฝุ่นบางประเภท เช่น ฝุ่นไม้โอ๊ก หรือไม้บีช นับ เป็นสารที่ทำให้เกิดมะเร็ง โดยเฉพาะอย่างยิ่งเมื่อผสม กับสารเติมแต่งเพื่อย้อมสี (โครเมต ผลิตภัณฑ์รักษาเนื้อไม้) สำหรับวัสดุที่มีแอลเบสทอลต้องให้ผู้เชี่ยวชาญทำงานเท่านั้น

- จัดสถานที่ทำงานให้มีการระบายอากาศที่ดี
- ขอแนะนำให้สวมหน้ากากป้องกันการติดเชื้อที่มีระดับ-ไล กรอง P2

ปฏิบัติตามกฎข้อบังคับสำคัญอื่นๆ ที่เกี่ยวกับวัสดุชิ้นงาน ที่บังคับใช้ในประเทศของท่าน

- ▶ ป้องกันการสะสมของฝุ่นในสถานที่ทำงาน ฝุ่นสามารถถูกใหม่อย่างง่ายดาย

การปฏิบัติงาน

การเริ่มต้นปฏิบัติงาน

- ▶ ให้สังเกตแรงดันไฟฟ้า! แรงดันไฟฟ้าจากแหล่งจ่ายไฟฟ้าต้องมีค่าตรงกับค่าแรงดันไฟฟ้าที่ระบุไว้บนแผ่นป้ายที่ติดเครื่อง เครื่องมือไฟฟ้าที่มีเครื่องหมาย 230 โวลต์ สามารถใช้งานกับ 220 โวลต์ ได้ด้วย
- ▶ ตรวจสอบเครื่องมือชั้ดก่อนใช้งาน เครื่องมือชั้ดต้องได้รับการติดตั้งอย่างถูกต้องและสามารถหมุนได้อย่างอิสระ ทำการทดสอบวิ่งโดยเปิดเครื่องเดินตัวเปล่า นาน อย่างน้อย 1 นาที อย่าใช้เครื่องมือชั้ดที่ชำรุด เสียศูนย์ หรือสั้นตัว เครื่องมือชั้ดที่ชำรุดอาจจะระเบิดและทำให้เกิด การบาดเจ็บได้

การเปิด-ปิดเครื่อง

- เมื่อต้องการให้เครื่องมือไฟฟ้าเริ่มต้นทำงานให้สับสวิตช์ เปิด-ปิด (8) ไปที่ตำแหน่ง "I"
- เมื่อต้องการปิดสวิตช์เครื่องมือไฟฟ้าให้สับสวิตช์เปิด-ปิด (8) ไปที่ตำแหน่ง "0"

ข้อแนะนำในการทำงาน

- ▶ จับชิ้นงานเข้าหาเครื่องมือไฟฟ้าที่เปิดสวิตช์อยู่เท่านั้น และปิดสวิตช์เครื่องมือไฟฟ้าหลังจากโดยยกชิ้นงานออกไปแล้วเท่านั้น ชิ้นงานอาจเคลื่อนที่อย่างกะทันหัน
- ▶ อย่าเอื้อมมือเข้าไปในล้อเจียรของเครื่องมือไฟฟ้าที่กำลังวิ่งอยู่อย่างเด็ดขาด การกระทำดังกล่าวอาจทำให้ได้รับบาดเจ็บสาหัส
- ▶ สวมผ้ากันเปื้อนทำงาน ตรวจสอบให้แน่ใจว่าจะไม่มีบุคคลใดได้รับอันตรายจากประกายไฟ นำวัสดุใดๆ ที่ติดไฟได้ในบริเวณใกล้เคียงออกไป จะเกิดประกายไฟเมื่อขัดโลหะ

ใช้ล้อเจียรซิลิกอนคาร์ไบด์ C (อุปกรณ์ประกอบ) เมื่อทำงานกับชิ้นงานคาร์ไบด์

- วางชิ้นงานที่จะเจียรลงบนอุปกรณ์หมุนชิ้นงาน (12) และ กดชิ้นงานเบาๆ เข้าหาล้อเจียร เพื่อให้ได้ผลการเจียรที่ดีที่สุดให้ขยับชิ้นงานไปมาเล็กน้อย การกระทำดังกล่าวยังทำให้ล้อเจียรสึกหรองเท่าๆ กันอีกด้วย
- ทำให้ชิ้นงานเย็นลงโดยจุ่มในน้ำเป็นครั้งคราว

การขนย้าย

- ถอดอุปกรณ์ประกอบทั้งหมดที่ไม่สามารถติดตั้งกับเครื่องมือไฟฟ้าได้อย่างแน่นอน
- ม้วนสายไฟฟ้าทั้งหมดและรวมมัดไว้ด้วยกัน
- เมื่อยกหรือขนย้ายให้จับเครื่องมือไฟฟ้าจากด้านล่างตรง กระบังป้องกันทั้งสอง (6) ท่านสามารถหมุนเครื่องมือไฟฟ้าในบริเวณรูสำหรับติดตั้ง (7)
- ▶ เมื่อขนย้ายเครื่องมือไฟฟ้า อย่าใช้การ์ดป้องกันประกายไฟ (11) หรืออุปกรณ์หมุนชิ้นงาน (12) อย่างเด็ดขาด

การบำรุงรักษาและการบริการ

การบำรุงรักษาและการทำความสะอาด

- ▶ ดึงปลั๊กไฟออกจากเต้าเสียบก่อนปรับแต่งเครื่อง
- ▶ เพื่อให้ทำงานได้อย่างถูกต้องและปลอดภัย ต้องรักษาเครื่องและช่องระบายอากาศให้สะอาดอยู่เสมอ

หากจำเป็นต้องเปลี่ยนสายไฟฟ้า ต้องส่งเครื่องให้ Bosch หรือศูนย์บริการหลังการขายที่ได้รับมอบหมายสำหรับเครื่องมือไฟฟ้า Bosch เปลี่ยนให้ ทั้งนี้เพื่อหลีกเลี่ยงอันตราย

การบริการหลังการขายและการให้คำปรึกษาการใช้งาน

ศูนย์บริการหลังการขายของเรายินดีตอบคำถามของท่านที่เกี่ยวกับการบำรุงรักษาและการซ่อมแซมผลิตภัณฑ์รวมทั้งเรื่องอะไหล่ ภาพเขียนแบบการประกอบและข้อมูลเกี่ยวกับอะไหล่ กรุณาดูใน: www.bosch-pt.com

ทีมงานที่ปรึกษาของ บอช ยินดีให้ข้อมูลเกี่ยวกับผลิตภัณฑ์ของเราและอุปกรณ์ประกอบต่างๆ

เมื่อต้องการสอบถามและสั่งซื้ออะไหล่ กรุณาแจ้งหมายเลขสินค้า 10 หลักบนแผ่นป้ายรุ่นของผลิตภัณฑ์ทุกครั้ง

ไทย

ไทย บริษัท โรเบิร์ต บอช จำกัด

เอฟวายไอ เซ็นเตอร์ อาคาร 1 ชั้น 5

เลขที่ 2525 ถนนพระราม 4

แขวงคลองเตย เขตคลองเตย กรุงเทพฯ 10110

โทร: +66 2012 8888

แฟกซ์: +66 2064 5800

www.bosch.co.th

ศูนย์บริการซ่อมและฝึกอบรม บอช

อาคาร ลาซาลทาวเวอร์ ชั้น G ห้องเลขที่ 2

บ้านเลขที่ 10/11 หมู่ 16

ถนนศรีนครินทร์ ตำบลบางแก้ว อำเภอบางพลี

จังหวัดสมุทรปราการ 10540

ประเทศไทย

โทรศัพท์ 02 7587555

โทรสาร 02 7587525

การกำจัดขยะ

เครื่องมือไฟฟ้า อุปกรณ์ประกอบ และหีบห่อ ต้องนำไปแยกประเภทวัสดุเพื่อการรีไซเคิลที่เป็นมิตรต่อสิ่งแวดล้อม



อย่าทิ้งเครื่องมือไฟฟ้าลงในขยะครัวเรือน!

dapat mengakibatkan sengatan listrik, kebakaran, dan/atau cedera serius.

Simpanlah semua peringatan dan petunjuk untuk penggunaan di masa mendatang.

Istilah "perkakas listrik" dalam peringatan mengacu pada perkakas listrik yang dioperasikan dengan listrik (menggunakan kabel) atau perkakas listrik yang dioperasikan dengan baterai (tanpa kabel).

Keamanan tempat kerja

- ▶ **Jaga kebersihan dan pencahayaan area kerja.** Area yang berantakan atau gelap dapat memicu kecelakaan.
- ▶ **Jangan mengoperasikan perkakas listrik di lingkungan yang dapat memicu ledakan, seperti adanya cairan, gas, atau debu yang mudah terbakar.** Perkakas listrik dapat memancarkan bunga api yang kemudian mengakibatkan debu atau uap terbakar.
- ▶ **Jauhkan dari jangkauan anak-anak dan pengamat saat mengoperasikan perkakas listrik.** Gangguan dapat menyebabkan hilangnya kendali.

Keamanan listrik

- ▶ **Steker perkakas listrik harus sesuai dengan stopkontak. Jangan pernah memodifikasi steker. Jangan menggunakan steker adaptor bersama dengan perkakas listrik yang terhubung dengan sistem grounding.** Steker yang tidak dimodifikasi dan stopkontak yang cocok akan mengurangi risiko sengatan listrik.
 - ▶ **Hindari kontak badan dengan permukaan yang terhubung dengan sistem grounding, seperti pipa, radiator, kompor, dan lemari es.** Terdapat peningkatan risiko terjadinya sengatan listrik jika badan Anda terhubung dengan sistem grounding.
 - ▶ **Perkakas listrik tidak boleh terpapar hujan atau basah.** Air yang masuk ke dalam perkakas listrik menambah risiko terjadinya sengatan listrik.
 - ▶ **Jangan menyalahgunakan kabel. Jangan gunakan kabel untuk membawa, menarik, atau melepas steker perkakas listrik. Jauhkan kabel dari panas, minyak, tepi yang tajam, atau komponen yang bergerak.** Kabel listrik yang rusak atau tersangkut menambah risiko terjadinya sengatan listrik.
 - ▶ **Saat mengoperasikan perkakas listrik di luar ruangan, gunakan kabel ekstensi yang sesuai untuk penggunaan di luar ruangan.** Penggunaan kabel yang cocok untuk pemakaian di luar ruangan mengurangi risiko terjadinya sengatan listrik.
 - ▶ **Jika perkakas listrik memang harus dioperasikan di tempat yang lembap, gunakan pemutus arus listrik residu (RCD).** Penggunaan RCD akan mengurangi risiko terjadinya sengatan listrik.
- ### Keselamatan personel
- ▶ **Tetap waspada, perhatikan aktivitas yang sedang dikerjakan dan gunakan akal sehat saat mengoperasikan perkakas listrik. Jangan gunakan perkakas listrik saat mengalami kelelahan atau di**

Bahasa Indonesia

Petunjuk Keselamatan

Petunjuk keselamatan umum untuk perkakas listrik

⚠ PERINGATAN Baca semua peringatan, petunjuk, ilustrasi, dan spesifikasi keselamatan yang diberikan bersama perkakas listrik ini. Kesalahan dalam menjalankan petunjuk di bawah ini

bawah pengaruh narkoba, alkohol, atau obat-obatan.

Jika perkakas listrik dioperasikan dengan daya konsentrasi yang rendah, hal tersebut dapat menyebabkan cedera serius.

- ▶ **Gunakan peralatan pelindung diri. Selalu kenakan pelindung mata.** Penggunaan perlengkapan pelindung seperti penutup telinga, helm, sepatu anti licin, dan masker debu akan mengurangi cedera.
- ▶ **Hindari start yang tidak disengaja. Pastikan switch berada di posisi off sebelum perkakas listrik dihubungkan ke sumber daya listrik dan/atau baterai, diangkat, atau dibawa.** Membawa perkakas listrik dengan jari menempel pada tombol atau perkakas listrik dalam keadaan hidup dapat memicu kecelakaan.
- ▶ **Singkirkan kunci penyetel atau kunci pas sebelum menghidupkan perkakas listrik.** Perkakas atau kunci pas yang masih menempel pada komponen perkakas listrik yang berputar dapat menyebabkan cedera.
- ▶ **Jangan melampaui batas. Berdirilah secara mantap dan selalu jaga keseimbangan.** Hal ini akan memberikan kontrol yang lebih baik terhadap perkakas listrik pada situasi yang tak terduga.
- ▶ **Kenakan pakaian dengan wajar. Jangan mengenakan perhiasan atau pakaian yang longgar. Jauhkan rambut dan pakaian dari komponen yang bergerak.** Pakaian yang longgar, rambut panjang, atau perhiasan dapat tersangkut dalam komponen yang bergerak.
- ▶ **Jika disediakan perangkat untuk sambungan pengisapan debu dan alat pengumpulan, pastikan perangkat tersebut terhubung dan digunakan dengan benar.** Penggunaan alat pengumpulan dapat mengurangi bahaya yang disebabkan oleh debu.
- ▶ **Jangan berpuas diri dan mengabaikan prinsip keselamatan karena terbiasa mengoperasikan perkakas.** Tindakan yang kurang hati-hati dapat mengakibatkan cedera serius dalam waktu sepersekian detik.

Penggunaan dan pemeliharaan perkakas listrik

- ▶ **Jangan memaksakan perkakas listrik. Gunakan perkakas listrik yang sesuai untuk pekerjaan yang dilakukan.** Perkakas listrik yang sesuai akan bekerja dengan lebih baik dan aman sesuai tujuan penggunaan.
- ▶ **Jangan gunakan perkakas listrik dengan switch yang tidak dapat dioperasikan.** Perkakas listrik yang switchnya yang tidak berfungsi dapat menimbulkan bahaya dan harus diperbaiki.
- ▶ **Lepaskan steker dari sumber listrik dan/atau lepas baterai, jika dapat dilepaskan dari perkakas listrik sebelum menyetel, mengganti aksesoris, atau menyimpan perkakas listrik.** Tindakan preventif akan mengurangi risiko menghidupkan perkakas listrik secara tidak disengaja.
- ▶ **Jauhkan dan simpan perkakas listrik dari jangkauan anak-anak dan jangan biarkan orang-orang yang tidak mengetahui cara menggunakan perkakas listrik, mengoperasikan perkakas listrik.** Perkakas listrik

dapat membahayakan jika digunakan oleh orang-orang yang tidak terlatih.

- ▶ **Lakukan pemeliharaan perkakas listrik dan aksesoris. Periksa komponen yang bergerak apabila tidak lurus atau terikat, kerusakan komponen, dan kondisi lain yang dapat mengganggu pengoperasian perkakas listrik. Apabila rusak, perbaiki perkakas listrik sebelum digunakan.** Kecelakaan sering terjadi karena perkakas listrik tidak dirawat dengan baik.
- ▶ **Jaga ketajaman dan kebersihan alat.** Alat pemotong dengan pisau pemotong yang tajam dan dirawat dengan baik tidak akan mudah tersangkut dan lebih mudah dikendalikan.
- ▶ **Gunakan perkakas listrik, aksesoris, dan komponen perkakas dll sesuai dengan petunjuk ini, dengan mempertimbangkan kondisi kerja dan pekerjaan yang akan dilakukan.** Penggunaan perkakas listrik untuk tujuan berbeda dari fungsinya dapat menyebabkan situasi yang berbahaya.
- ▶ **Jaga gagang dan permukaan genggam agar tetap kering, bersih, dan bebas dari minyak dan lemak.** Gagang dan permukaan genggam yang licin tidak menjamin keamanan kerja dan kontrol alat yang baik pada situasi yang tidak terduga.

Servis

- ▶ **Minta teknisi berkualifikasi untuk menyervis perkakas listrik dengan hanya menggunakan suku cadang yang identik.** Dengan demikian, hal ini akan memastikan keamanan perkakas listrik.

Peringatan keselamatan bench grinder

- ▶ **Jangan gunakan aksesoris yang sudah rusak. Sebelum tiap penggunaan, periksa aksesoris seperti roda abrasif dari kemungkinan adanya potongan dan retakan. Setelah memeriksa dan memasang aksesoris, jaga jarak Anda dari pengetam aksesoris yang berputar dan hidupkan perkakas dengan kecepatan maksimum tanpa beban selama satu menit.** Aksesoris yang rusak biasanya akan hancur saat dilakukan pengujian ini.
- ▶ **Ukuran kecepatan aksesoris setidaknya harus sama dengan kecepatan maksimum yang tertera pada perkakas listrik.** Aksesoris yang beroperasi lebih cepat dari ukuran kecepatan yang tertera dapat rusak dan terlepas.
- ▶ **Jangan menggerinda pada bagian sisi roda gerinda.** Menggerinda pada bagian sisi dapat menyebabkan roda rusak dan terpentil.

Pakailah kaca mata pelindung.



- ▶ **Jangan sekali-kali meninggalkan perkakas listrik sebelum perkakas listrik berhenti sepenuhnya.** Alat kerja yang masih berputar dapat mengakibatkan terjadinya luka-luka.

- ▶ **Simpan perkakas listrik dan aksori yang tidak digunakan dengan aman. Tempat penyimpanan harus kering dan dapat dikunci.** Hal tersebut menghindarkan perkakas listrik dari kerusakan selama disimpan atau akibat digunakan oleh orang-orang yang tidak berpengalaman.
- ▶ **Periksa kabel listrik secara berkala dan reparasikan kabel listrik yang rusak di service center resmi untuk perkakas listrik Bosch. Ganti kabel penyambung yang rusak.** Dengan demikian, keselamatan kerja perkakas listrik ini terjamin.
- ▶ **Sambungkan perangkat ke suplai daya yang di-grounding dengan benar.** Stopkontak dan kabel ekstensi harus memiliki konduktor pelindung fungsional.
- ▶ **Jaga tempat pengerjaan tetap bersih.** Campuran bahan yang berserakan cukup berbahaya. Debu logam yang kecil dapat terbakar atau menimbulkan ledakan.
- ▶ **Lindungilah mata gerinda dari tumbukan, benturan dan lemak.**

Simbol-simbol

Simbol-simbol berikut dapat membantu Anda dalam menggunakan perkakas listrik. Pelajari dan ingat simbol-simbol berikut beserta maknanya. Pengertian yang betul dari simbol-simbol ini bisa membantu Anda untuk menggunakan perkakas listrik dengan lebih baik dan aman.

Simbol dan artinya



Jangan mendekatkan tangan pada area mata gerinda selama alat beroperasi. Menyentuh mata gerinda dapat melukai pengguna.



Pakailah pelindung telinga. Suara bising dapat menyebabkan daya pendengaran berkurang.



Kenakan kacamata pelindung.



Kenakan masker pelindung debu.



Kenakan sarung tangan pelindung.

Spesifikasi produk dan performa



Bacalah semua petunjuk keselamatan dan petunjuk penggunaan. Kesalahan dalam menjalankan petunjuk keselamatan dan petunjuk penggunaan dapat mengakibatkan kontak listrik, kebakaran, dan/atau luka-luka

yang berat.

Perhatikan ilustrasi yang terdapat pada sisi sampul panduan pengoperasian.

Tujuan penggunaan

Perkakas listrik ini cocok untuk mengasah alat kerja serta untuk menggerinda dan menghaluskan pinggiran berbahan logam. Perkakas listrik hanya diperbolehkan untuk penggunaan jangka pendek (maksimal 60 menit).

Ilustrasi komponen

Nomor-nomor dari bagian-bagian perkakas pada gambar sesuai dengan gambar perkakas listrik pada halaman bergambar.

- (1) Penutup
- (2) Mur penjepit
- (3) Flensa penjepit
- (4) Flensa dudukan
- (5) Spindel gerinda
- (6) Kap pelindung gergaji
- (7) Lubang-lubang untuk pemasangan
- (8) Tombol on/off
- (9) Kunci pas^{A)}
- (10) Penahan untuk pelindung percikan
- (11) Pelindung percikan
- (12) Penopang benda kerja

A) **Aksesori yang ada pada gambar atau yang dijelaskan tidak termasuk dalam lingkup pengiriman standar. Semua aksesori yang ada dapat Anda lihat dalam program aksesori kami.**

Data teknis

Mesin gerinda ganda	GBG 60-20	
Nomor seri		3 601 B7A 4..
Input daya nominal P ₁	W	600
Daya output P ₂		
– 50 Hz	W	420
– 60 Hz	W	430
Mode pengoperasian ^{A)}		S2 (60 min)
Kecepatan idle		
– 50 Hz	min ⁻¹	3000
– 60 Hz	min ⁻¹	3600
Ulir spindel gerinda		M12
Mata gerinda		

Mesin gerinda ganda		GBG 60-20
– Diameter	mm	200
– Lebar	mm	25
– Lubang dudukan	mm	32
– Butiran		24/60
Flensa dudukan		
– Lubang dudukan	mm	15
– Cekungan min.	mm	1,5
Berat sesuai dengan EPTA- Procedure 01:2014	kg	16,5
Klasifikasi keamanan		Ⓢ/I

A) Mode pengoperasian S2 (60 menit) menetapkan penggunaan jangka pendek dengan durasi penggunaan maksimal 60 menit. Selanjutnya, matikan perkakas listrik dan biarkan menjadi dingin.

Data-data berlaku untuk tegangan nominal [U] 230 V. Pada tegangan yang lebih rendah dan pada model khusus mancanegara data-data ini bisa berlainan.

Pemasangan

- ▶ **Sebelum mulai dengan pekerjaan pada perkakas listrik, tariklah steker dari stopkontak.**
- Kencangkan perkakas listrik ke meja kerja/permukaan pada empat lubang yang tersedia (7) menggunakan baut yang sesuai pada meja kerja/permukaan kerja.

Memasang pelindung percikan/penopang benda kerja (lihat gambar A–D)

- Pasang penahan untuk pelindung percikan (10) menggunakan kedua sekrup.
- Pasang pelindung percikan (11) pada penahan untuk pelindung percikan (10).
- Pasang penopang benda kerja (12) seperti yang ditampilkan pada gambar.
- ▶ **Periksa secara rutin jarak antara penopang benda kerja (12) atau penahan untuk pelindung percikan (11) ke mata gerinda dan sesuaikan jika perlu. Jarak ke mata gerinda tidak boleh lebih dari 2 mm.** Pengguna dapat terkena percikan api jika jarak terlalu lebar. Benda kerja dapat tertarik akibat putaran mata gerinda dan hal tersebut dapat mengakibatkan cedera.
- ▶ **Selalu gunakan perkakas listrik dengan pelindung percikan (11) dan gerakan ke bawah sejauh mungkin.** Percikan yang terjadi dapat mencedera mata atau menyebabkan benda yang terletak di sekitarnya terbakar.
- ▶ **Hanya gunakan perkakas listrik dengan penopang benda kerja. Jangan menukar posisi penopang benda kerja sebelah kiri dan kanan (12).** Jika tidak, jarak antara penopang benda kerja (12) dan mata gerinda akan menjadi terlalu lebar. Pengguna dapat terkena percikan api jika jarak terlalu lebar. Benda kerja dapat tertarik akibat putaran mata gerinda dan hal tersebut dapat mengakibatkan cedera.

Mengganti mata gerinda

- ▶ **Ukuran kecepatan aksesorinya setidaknya harus sama dengan kecepatan maksimum yang tertera pada perkakas listrik.** Aksesorinya yang beroperasi lebih cepat dari ukuran kecepatan yang tertera dapat rusak dan terlepas.
- ▶ **Mata gerinda tidak boleh digunakan apabila memiliki diameter lebih besar dari keterangan yang tercantum pada perkakas listrik.**
- ▶ **Selalu gunakan perkakas listrik dengan alat sisipan yang terpasang pada kedua spindel.** Dengan demikian, sentuhan dengan spindel yang berputar dapat dihindari. Ganti mata gerinda jika penahan untuk pelindung percikan (10) tidak lagi dapat diatur pada jarak maksimal 2 mm yang diperlukan ke mata gerinda.
 - Lepaskan ketiga sekrup dari penutup (1) dan lepaskan penutup. Kencangkan spindel gerinda (5) dengan kunci pas (9) dan lepaskan mur pengencang (2) dari spindel gerinda (5).

Catatan: Spindel gerinda (5) yang menonjol keluar pada sisi kiri perkakas listrik memiliki ulir sisi kiri.

- Lepaskan flensa penjepit (3) dan mata gerinda dari spindel gerinda (5).
- Pasang mata gerinda yang baru namun dalam urutan terbalik. Pasang kembali penutup (1) dan tekan dengan kuat dan kencangkan dengan tiga sekrup.

Sebelum digunakan lebih lanjut, asah mata gerinda yang sudah aus dan tumpul dengan batu asah (aksesori).

- ▶ **Sebelum mulai dengan pekerjaan pada perkakas listrik, tariklah steker dari stopkontak.**

Pengisapan debu/serbuk

Debu dari bahan-bahan seperti cat yang mengandung timbel (timah hitam), beberapa jenis kayu, bahan mineral dan logam dapat berbahaya bagi kesehatan. Menyentuh atau menghirup debu-debu ini dapat mengakibatkan reaksi alergi dan/atau penyakit saluran pernapasan pada pengguna atau orang yang berada di dekatnya.

Beberapa debu tertentu seperti debu kayu pohon quercus atau pohon fagus silvatica dianggap dapat mengakibatkan penyakit kanker, terutama dalam campuran dengan bahan-bahan tambahan untuk pengolahan kayu (kromat, obat pengawet kayu). Bahan-bahan yang mengandung asbes hanya boleh dikerjakan oleh orang-orang yang ahli.

- Perhatikanlah supaya ada pertukaran udara yang baik di tempat kerja.
- Kami anjurkan Anda memakai masker anti debu dengan filter kelas P2.

Taatilah peraturan-peraturan untuk bahan-bahan yang dikerjakan yang berlaku di negara Anda.

- ▶ **Hindari debu yang banyak terkumpul di tempat kerja.** Debu dapat tersulut dengan mudah.

Penggunaan

Pengoperasian pertama kali

- ▶ **Perhatikan tegangan listrik!** Tegangan jaringan listrik harus sesuai dengan tegangan listrik yang tercantum pada label tipe perkakas listrik. Perkakas listrik dengan daya sebesar 230 V seperti yang diindikasikan pada label dapat juga dioperasikan pada daya 220 V.
- ▶ **Periksa alat gerinda sebelum digunakan.** Alat gerinda harus dipasang dengan benar dan dapat berputar dengan bebas. Lakukan uji coba minimal selama satu menit tanpa beban. Jangan menggunakan alat gerinda yang rusak, tidak bulat atau bergetar. Alat gerinda yang rusak dapat pecah dan menyebabkan cedera.

Menyalakan/mematikan

- Untuk mengoperasikan pertama kali perkakas listrik, geser tombol on/off (8) ke posisi "I".
- Untuk mematikan perkakas listrik, geser tombol on/off (8) ke posisi "0".

Petunjuk pengoperasian

- ▶ **Selalu arahkan benda kerja hingga menyentuh perkakas listrik yang menyala dan matikan perkakas listrik terlebih dulu setelah benda kerja diangkat.** Benda kerja dapat bergerak secara tiba-tiba.
- ▶ **Jangan pernah memegang mata gerinda perkakas listrik yang beroperasi.** Hal ini dapat menyebabkan cedera serius.
- ▶ **Pakailah celemek kerja. Pastikan tidak ada orang yang terkena bahaya percikan api. Jauhkan material yang mudah terbakar dari sekitar perkakas listrik.** Penggerindaan logam akan menghasilkan percikan api.

Gunakan mata gerinda silisiumkarbid C (aksesori) untuk mengerjakan benda kerja berbahan baku karbit.

- Letakkan benda kerja yang akan digerinda pada penopang benda kerja (12) lalu tekan singkat mata gerinda. Untuk mencapai hasil gerinda yang optimal, gerakkan sedikit benda kerja ke depan dan belakang. Hal tersebut memastikan penggunaan gerinda secara merata.
- Sesekali, dinginkan benda kerja ke dalam air.

Pengangkutan

- Lepaskan semua aksesori yang tidak dapat dipasang dengan kencang pada perkakas listrik.
- Gulung kabel listrik sepenuhnya dan ikat dengan benar.
- Pegang perkakas listrik pada kedua penutup pelindung (6) dari bawah untuk mengangkat atau memindahkan. Perkakas listrik dapat ditopang pada area lubang pemasangan (7).
- ▶ **Saat membawa perkakas listrik, jangan pernah menggunakan pelindung percikan (11) atau penopang benda kerja (12).**

Perawatan dan servis

Perawatan dan pembersihan

- ▶ **Sebelum mulai dengan pekerjaan pada perkakas listrik, tariklah steker dari stopkontak.**
- ▶ **Perkakas listrik dan lubang ventilasi harus selalu dibersihkan agar perkakas dapat digunakan dengan baik dan aman.**

Jika kabel listrik harus diganti, pekerjaan ini harus dilakukan oleh **Bosch** atau Service Center untuk perkakas listrik **Bosch** resmi agar keselamatan kerja selalu terjamin.

Layanan pelanggan dan konsultasi penggunaan

Layanan pelanggan Bosch menjawab semua pertanyaan Anda tentang reparasi dan perawatan serta tentang suku cadang produk ini. Gambaran teknis (exploded view) dan informasi mengenai suku cadang dapat ditemukan di:

www.bosch-pt.com

Tim konsultasi penggunaan Bosch akan membantu Anda menjawab pertanyaan seputar produk kami beserta aksesori.

Jika Anda hendak menanyakan sesuatu atau memesan suku cadang, selalu sebutkan nomor model yang terdiri dari 10 angka dan tercantum pada label tipe produk.

Indonesia

PT Robert Bosch
Palma Tower 10th Floor
Jalan RA Kartini II-S Kaveling 6
Pondok Pinang, Kebayoran Lama
Jakarta Selatan 12310
Tel.: (021) 3005 5800
Fax: (021) 3005 5801
E-Mail: boschpowertools@id.bosch.com
www.bosch-pt.co.id

Cara membuang

Perkakas listrik, aksesori, dan kemasan sebaiknya didaur ulang secara ramah lingkungan.



Jangan membuang perkakas listrik ke dalam sampah rumah tangga!

Tiếng Việt

Hướng dẫn an toàn

Hướng dẫn an toàn chung cho dụng cụ điện

⚠ CẢNH BÁO Hãy đọc toàn bộ các cảnh báo an toàn, hướng dẫn, hình ảnh và thông số kỹ thuật được cung cấp cho dụng cụ điện cầm tay này. Không tuân thủ

mọi hướng dẫn được liệt kê dưới đây có thể bị điện giật, gây cháy và /hay bị thương tật nghiêm trọng.

Hãy giữ tất cả tài liệu về cảnh báo và hướng dẫn để tham khảo về sau.

Thuật ngữ "dụng cụ điện cầm tay" trong phần cảnh báo là đề cập đến sự sử dụng dụng cụ điện cầm tay của bạn, loại sử dụng điện nguồn (có dây cắm điện) hay vận hành bằng pin (không dây cắm điện).

Khu vực làm việc an toàn

- ▶ **Giữ nơi làm việc sạch và đủ ánh sáng.** Nơi làm việc bừa bộn và tối tăm dễ gây ra tai nạn.
- ▶ **Không vận hành dụng cụ điện cầm tay trong môi trường dễ gây nổ, chẳng hạn như nơi có chất lỏng dễ cháy, khí đốt hay rác.** Dụng cụ điện cầm tay tạo ra các tia lửa nên có thể làm rác bén cháy hay bốc khói.
- ▶ **Không để trẻ em hay người đến xem đứng gần khi vận hành dụng cụ điện cầm tay.** Sự phân tâm có thể gây ra sự mất điều khiển.

An toàn về điện

- ▶ **Phích cắm của dụng cụ điện cầm tay phải thích hợp với ổ cắm.** Không bao giờ được cải biến lại phích cắm dưới mọi hình thức. Không được sử dụng phích tiếp hợp nối tiếp đất (dây mát). Phích cắm nguyên bản và ổ cắm đúng loại sẽ làm giảm nguy cơ bị điện giật.
- ▶ **Tránh không để thân thể tiếp xúc với đất hay các vật có bề mặt tiếp đất như đường ống, lò sưởi, hàng rào và tủ lạnh.** Có nhiều nguy cơ bị điện giật hơn nếu cơ thể bạn bị tiếp hay nối đất.
- ▶ **Không được để dụng cụ điện cầm tay ngoài mưa hay ở tình trạng ẩm ướt.** Nước vào máy sẽ làm tăng nguy cơ bị điện giật.
- ▶ **Không được lạm dụng dây dẫn điện.** Không bao giờ được nắm dây dẫn để xách, kéo hay rút phích cắm dụng cụ điện cầm tay. Không để dây gần nơi có nhiệt độ cao, dầu nhớt, vật nhọn bén và bộ phận chuyển động. Làm hỏng hay cuộn rối dây dẫn làm tăng nguy cơ bị điện giật.
- ▶ **Chỉ sử dụng dụng cụ điện cầm tay ngoài trời, dùng dây nối thích hợp cho việc sử dụng ngoài trời.** Sử dụng dây nối thích hợp cho việc sử dụng ngoài trời làm giảm nguy cơ bị điện giật.
- ▶ **Nếu việc sử dụng dụng cụ điện cầm tay ở nơi ẩm ướt là không thể tránh được, dùng thiết bị ngắt mạch tự động (RCD) bảo vệ nguồn.** Sử dụng thiết bị ngắt mạch tự động RCD làm giảm nguy cơ bị điện giật.

An toàn cá nhân

- ▶ **Hãy tỉnh táo, biết rõ mình đang làm gì và hãy sử dụng ý thức khi vận hành dụng cụ điện cầm tay.** Không sử dụng dụng cụ điện cầm tay khi đang mệt mỏi hay đang bị tác động do chất gây nghiện, rượu hay được phẩm gây ra. Một thoáng mất tập trung khi đang vận hành

dụng cụ điện cầm tay có thể gây thương tích nghiêm trọng cho bản thân.

- ▶ **Sử dụng trang bị bảo hộ cá nhân. Luôn luôn đeo kính bảo vệ mắt.** Trang bị bảo hộ như khẩu trang, giày chống trượt, nón bảo hộ, hay dụng cụ bảo vệ tai khi được sử dụng đúng nơi đúng chỗ sẽ làm giảm nguy cơ thương tật cho bản thân.
- ▶ **Phòng tránh máy khởi động bất ngờ. Bảo đảm công tắc máy ở vị trí tắt trước khi cắm vào nguồn điện và/hay lắp pin vào, khi nhấn máy lên hay khi mang xách máy.** Ngáng ngón tay vào công tắc máy để xách hay kích hoạt dụng cụ điện cầm tay khi công tắc ở vị trí mở dễ dẫn đến tai nạn.
- ▶ **Lấy mọi chìa hay khóa điều chỉnh ra trước khi mở điện dụng cụ điện cầm tay.** Khóa hay chìa còn gắn dính vào bộ phận quay của dụng cụ điện cầm tay có thể gây thương tích cho bản thân.
- ▶ **Không rướn người. Luôn luôn giữ tư thế đứng thích hợp và thẳng bằng.** Điều này tạo cho việc điều khiển dụng cụ điện cầm tay tốt hơn trong mọi tình huống bất ngờ.
- ▶ **Trang phục thích hợp. Không mặc quần áo rộng lung tung hay mang trang sức. Giữ tóc và quần áo xa khỏi các bộ phận chuyển động.** Quần áo rộng lung tung, đồ trang sức hay tóc dài có thể bị cuốn vào các bộ phận chuyển động.
- ▶ **Nếu có các thiết bị đi kèm để nối máy hút bụi và các phụ kiện khác, bảo đảm các thiết bị này được nối và sử dụng tốt.** Việc sử dụng các thiết bị gom hút bụi có thể làm giảm các độc hại liên quan đến bụi gây ra.
- ▶ **Không để thói quen do sử dụng thường xuyên dụng cụ khiến bạn trở nên chủ quan và bỏ qua các quy định an toàn dụng cụ.** Một hành vi bất cẩn có thể gây ra thương tích nghiêm trọng chỉ trong tích tắc.

Sử dụng và bảo dưỡng dụng cụ điện cầm tay

- ▶ **Không được ép máy. Sử dụng dụng cụ điện cầm tay đúng loại theo đúng ứng dụng của bạn.** Dụng cụ điện cầm tay đúng chức năng sẽ làm việc tốt và an toàn hơn theo đúng tiến độ mà máy được thiết kế.
- ▶ **Không sử dụng dụng cụ điện cầm tay nếu như công tắc không tắt và mở được.** Bất kỳ dụng cụ điện cầm tay nào mà không thể điều khiển được bằng công tắc là nguy hiểm và phải được sửa chữa.
- ▶ **Rút phích cắm ra khỏi nguồn điện và/hay pin ra khỏi dụng cụ điện cầm tay nếu có thể tháo được, trước khi tiến hành bất kỳ điều chỉnh nào, thay phụ kiện, hay cất dụng cụ điện cầm tay.** Các biện pháp ngăn ngừa như vậy làm giảm

nguy cơ dụng cụ điện cầm tay khởi động bất ngờ.

- ▶ **Cất giữ dụng cụ điện cầm tay không dùng tới nơi trẻ em không lấy được và không cho người chưa từng biết dụng cụ điện cầm tay hay các hướng dẫn này sử dụng dụng cụ điện cầm tay.** Dụng cụ điện cầm tay nguy hiểm khi ở trong tay người chưa được chỉ cách sử dụng.
- ▶ **Bảo quản dụng cụ điện cầm tay và các phụ kiện.** Kiểm tra xem các bộ phận chuyển động có bị sai lệch hay kẹt, các bộ phận bị rạn nứt và các tình trạng khác có thể ảnh hưởng đến sự vận hành của máy. Nếu bị hư hỏng, phải sửa chữa máy trước khi sử dụng. Nhiều tai nạn xảy ra do bảo quản dụng cụ điện cầm tay tồi.
- ▶ **Giữ các dụng cụ cất bên và sạch.** Bảo quản đúng cách các dụng cụ cất có cạnh cất bên làm giảm khả năng bị kẹt và dễ điều khiển hơn.
- ▶ **Sử dụng dụng cụ điện cầm tay, phụ kiện, đầu cài v. v., đúng theo các chỉ dẫn này, hãy lưu ý đến điều kiện làm việc và công việc phải thực hiện.** Sự sử dụng dụng cụ điện cầm tay khác với mục đích thiết kế có thể tạo nên tình huống nguy hiểm.
- ▶ **Giữ tay cầm và bề mặt nắm luôn khô ráo, sạch sẽ và không dính dầu mỡ.** Tay cầm và bề mặt nắm trơn trượt không đem lại thao tác an toàn và kiểm soát dụng cụ trong các tình huống bất ngờ.

Bảo dưỡng

- ▶ **Đưa dụng cụ điện cầm tay của bạn đến thợ chuyên môn để bảo dưỡng, chỉ sử dụng phụ tùng đúng chủng loại để thay.** Điều này sẽ đảm bảo sự an toàn của máy được giữ nguyên.

Cảnh báo an toàn máy mài để bàn

- ▶ **Không được sử dụng phụ kiện bị hư hỏng.** Trước mỗi lần sử dụng, cần kiểm tra phụ kiện như đĩa mài xem có vết nứt và rạn hay không. Sau khi kiểm tra và thay thế phụ kiện, bạn và người xung quanh đứng phải tránh hướng lưỡi bào của các phụ kiện xoay và khởi động dụng cụ điện ở tốc độ không tải tối đa trong vòng một phút. Các phụ kiện bị hư hỏng thường bị vỡ rời trong quá trình chạy thử này.
- ▶ **Tốc độ định mức của phụ kiện tối thiểu phải bằng tốc độ tối đa được ghi trên dụng cụ điện cầm tay.** Các phụ kiện chạy nhanh hơn tốc độ định mức của chúng có thể bị vỡ và văng ra.
- ▶ **Không được mài rên các cạnh của đĩa mài.** Mài trên cạnh có thể làm vỡ đĩa mài và làm đĩa mài bật ra.

Hãy mang kính bảo hộ.



- ▶ **Không bao giờ rời khỏi máy trước khi máy đã hoàn toàn dừng hẳn.** Các dụng cụ cất vẫn đang còn chạy có thể gây thương tích.
- ▶ **Bảo quản an toàn cho máy và phụ kiện khi không sử dụng.** Nơi bảo quản máy phải khô ráo và có thể khóa lại được. Điều này phòng tránh cho máy không bị hư hại khi lưu kho, và ngăn người chưa được học cách sử dụng vận hành.
- ▶ **Kiểm tra dây cáp dẫn điện thường xuyên và sự sửa chữa dây cáp bị hỏng chỉ được thông qua một đại lý ủy quyền dịch vụ khách hàng dụng cụ điện Bosch. Thay dây cáp nối dài bị hư hỏng.** Điều này sẽ đảm bảo sự an toàn của máy được giữ nguyên.
- ▶ **Nối thiết bị với mạng điện có nối đất thích hợp.** Ổ cắm điện và dây nối dài phải có chức năng nối đất bảo vệ.
- ▶ **Giữ nơi làm việc của bạn sạch sẽ.** Các hỗn hợp vật liệu là đặc biệt nguy hiểm. Bụi kim loại nhẹ có thể cháy hoặc nổ.
- ▶ **Bảo vệ dụng cụ mài không bị va đập, va chạm mạnh hay dính dầu mỡ.**

Các Biểu Tượng

Các biểu tượng sau đây có khả năng diễn đạt ý nghĩa về cách sử dụng dụng cụ điện cầm tay của bạn. Xin vui lòng ghi nhận các biểu tượng và ý nghĩa của chúng. Sự hiểu đúng các biểu tượng sẽ giúp bạn sử dụng máy một cách tốt và an toàn hơn.

Biểu tượng và các ý nghĩa của chúng



Đề tay tránh khỏi phạm vi đĩa mài khi máy đang hoạt động.
Nguy cơ bị thương tích trong trường hợp tiếp xúc với đá mài.



Hãy mang dụng cụ bảo vệ tai.
Để tai trần tiếp xúc với tiếng ồn có thể làm mất thính giác.



Hãy mang kính bảo hộ.



Hãy mang mặt nạ chống bụi.

Biểu tượng và các ý nghĩa của chúng

Hãy mang găng tay bảo vệ.

Mô Tả Sản Phẩm và Đặc Tính Kỹ Thuật



Đọc kỹ mọi cảnh báo an toàn và mọi hướng dẫn. Không tuân thủ mọi cảnh báo và hướng dẫn được liệt kê dưới đây có thể bị điện giật, gây cháy và / hay bị thương tật nghiêm trọng.

Xin lưu ý các hình minh họa trong phần trước của hướng dẫn vận hành.

Sử dụng đúng cách

Máy được thiết kế để mài bén dụng cụ cũng như dùng để mài và đánh gi kim loại. Máy có thể chỉ được sử dụng để hoạt động trong khoảng thời gian ngắn (60 phút tối đa).

Các bộ phận được minh họa

Sự đánh số các biểu trưng của sản phẩm là để tham khảo hình minh họa của máy trên trang hình ảnh.

- (1) Chụp che
- (2) Đai ốc chặn
- (3) Bích kẹp
- (4) Mặt bích tiếp nhận
- (5) Trục máy mài
- (6) Chắn bảo vệ lưỡi
- (7) Lỗ lắp bắt
- (8) Công tắc Tắt/Mở
- (9) Chia vận hành đĩa^{A)}
- (10) Bộ phận lắp bắt chắn ngăn tia lửa
- (11) Chắn ngăn tia lửa
- (12) Giá đỡ chi tiết gia công

A) Phụ tùng được trình bày hay mô tả không phải là một phần của tiêu chuẩn hàng hóa được giao kèm theo sản phẩm. Bạn có thể tham khảo tổng thể các loại phụ tùng, phụ kiện trong chương trình phụ tùng của chúng tôi.

Thông số kỹ thuật

Máy mài bàn hai đá	GBG 60-20	
Mã số máy		3 601 B7A 4..
Công suất vào danh định P ₁	W	600
Công suất ra P ₂		
– 50 Hz	W	420

Máy mài bàn hai đá

GBG 60-20

– 60 Hz	W	430
Chế độ vận hành ^{A)}		S2 (60 min.)
Tốc độ không tải		
– 50 Hz	min ⁻¹	3000
– 60 Hz	min ⁻¹	3600
Đường ren của trục máy mài		M12
Các đĩa mài		
– Đường kính	mm	200
– Chiều rộng	mm	25
– Lỗ lắp vào	mm	32
– Kích Cỡ Hạt		24/60
Mặt bích tiếp nhận		
– Lỗ lắp vào	mm	15
– Khe hở tối thiểu	mm	1,5
Trong lượng theo Quy trình EPTA-Procedure 01:2014	kg	16,5
Cấp độ bảo vệ		Ⓜ/I

A) Chế độ vận hành S2 (60 phút) là chế độ hoạt động trong thời gian ngắn với thời gian hoạt động tối đa là 60 phút. Sau thời gian này, hãy tắt dụng cụ điện và để nguội.

Các giá trị đã cho cho có hiệu lực cho điện thế danh định [U] 230 V. Đối với điện thế thấp hơn và các loại máy dành riêng cho một số quốc gia, các giá trị này có thể thay đổi.

Sự lắp vào

► Trước khi tiến hành bất cứ việc gì trên máy, kéo phích cắm điện nguồn ra.

- Hãy gắn chặt dụng cụ điện lên bốn lỗ khoan tương ứng (7) bằng các vít phù hợp tại bàn máy / bề mặt làm việc.

Lắp dụng cụ chống tia lửa/tám đỡ phôi gia công (xem hình A–D)

- Hãy lắp giá đỡ cho dụng cụ chống tia lửa (10) bằng cả hai vít.
- Hãy bắt vít dụng cụ chống tia lửa (11) vào giá đỡ của dụng cụ chống tia lửa (10).
- Hãy lắp tám đỡ phôi gia công (12) như trong hình mô tả.

► Thường xuyên kiểm tra khoảng cách giữa tám đỡ phôi gia công (12) hoặc giá đỡ của dụng cụ chống tia lửa (11) tới đĩa mài và điều chỉnh lại nếu cần. Khoảng cách tới đĩa mài không được lớn hơn 2 mm. Khi khoảng cách lớn bạn sẽ không được bảo vệ đầy đủ trước tia lửa bay ra. Phôi gia công có thể được kéo vào qua chuyển động xoay của đĩa mài và có thể dẫn đến thương tích.

► Chỉ sử dụng dụng cụ điện có dụng cụ chống tia lửa (11) và vận xuống dưới hết mức có

thể. Các tia lửa tóe ra có thể làm tổn thương mắt hoặc làm bắt lửa các đồ vật xung quanh.

- ▶ **Chỉ sử dụng dụng cụ điện có tấm đỡ phôi gia công. Không trao đổi các tấm đỡ phôi gia công bên trái và bên phải (12).** Khoảng cách giữa tấm đỡ phôi gia công (12) và đĩa mài quá lớn. Khi khoảng cách lớn bạn sẽ không được bảo vệ đầy đủ trước tia lửa bay ra. Phôi gia công có thể được kéo vào qua chuyển động xoay của đĩa mài và có thể dẫn đến thương tích.

Thay Đá Mài

- ▶ **Tốc độ định mức của phụ kiện tối thiểu phải bằng tốc độ tối đa được ghi trên dụng cụ điện cầm tay.** Các phụ kiện chạy nhanh hơn tốc độ định mức của chúng có thể bị vỡ và văng ra.
- ▶ **Các đĩa mài, mà có đường kính vượt quá thông số trên dụng cụ điện, sẽ không được phép dùng.**
- ▶ **Chỉ sử dụng dụng cụ điện có các dụng cụ lắp vào đã được lắp trên cả hai trục.** Nhờ đó có thể tránh được tiếp xúc với trục xoay.

Hãy thay đổi đĩa mài, nếu giá đỡ của dụng cụ chống tia lửa (10) không được điều chỉnh đến mức khoảng cách cần thiết tối đa là 2 mm so với đĩa mài.

- Hãy nới lỏng ba vít trên nắp (1) và tháo nắp ra. Hãy giữ chặt trục mài (5) bằng chia vận hành đĩa (9) và vận tháo đai ốc siết (2) ra khỏi trục mài (5).

Lưu ý: Trục mài nhô ra ở phía bên trái của dụng cụ điện (5) có ren trái.

- Hãy tháo bích kẹp (3) và đĩa mài khỏi trục mài (5).
- Đá mài mới được lắp vào theo cách ngược lại. Hãy đặt nắp (1) lên bằng lực chắc chắn và vít chặt bằng ba vít.

Chỉnh sửa mặt ngoài hay đá mài chạy lệch tâm bằng đá mài đầu (phụ kiện) trước khi tiếp tục sử dụng chúng.

- ▶ **Trước khi tiến hành bất cứ việc gì trên máy, kéo phích cắm điện nguồn ra.**

Hút Dám/Bụi

Mạt bụi từ các vật liệu được sơn phủ ngoài có chứa chì trên một số loại gỗ, khoáng vật và kim loại có thể gây nguy hại đến sức khỏe con người. Đụng chạm hay hít thở các bụi này có thể làm người sử dụng hay đứng gần bị dị ứng và/hoặc gây nhiễm trùng hệ hô hấp.

Một số hạt bụi cụ thể, ví dụ như bụi gỗ sợi hay đá vôi, được xem là chất gây ung thư, đặc biệt là có liên quan đến các chất phụ gia dùng xử lý gỗ (chất cromat, chất bảo quản gỗ). Có thể chỉ nên để thợ chuyên môn gia công các loại vật liệu có chứa amiăng.

- Tạo không khí thông thoáng nơi làm việc.

- Khuyến nghị nên mang mặt nạ phòng độc có bộ lọc cấp P2.

Tuân thủ các qui định của quốc gia bạn liên quan đến loại vật liệu gia công.

- ▶ **Tránh không để rác tích tụ tại nơi làm việc.** Rác có thể dễ dàng bắt lửa.

Vận Hành

Bắt Đầu Vận Hành

- ▶ **Hãy cẩn thận với nguồn điện! Điện thế nguồn phải đúng với điện thế đã ghi rõ trên nhãn máy. Dụng cụ điện được ghi 230 V cũng có thể được vận hành ở 220 V.**
- ▶ **Kiểm tra các dụng cụ mài trước khi sử dụng. Dụng cụ mài phải được lắp vào đúng cách và có thể chuyển động tự do. Tiến hành chạy thử máy không tải ít nhất là 1 phút. Không được sử dụng dụng cụ mài bị hỏng, chạy lệch tâm hay bị rung lắc.** Dụng cụ mài bị hư hỏng có thể vỡ tung và gây ra thương tích.

Bật/tắt

- Để **khởi động** dụng cụ điện hãy nghiêng công tắc Tắt/Mở (8) vào vị trí „I“.
- Để **tắt dụng cụ điện**, hãy nghiêng công tắc Tắt/Mở (8) vào vị trí „0“.

Hướng Dẫn Sử Dụng

- ▶ **Chỉ dẫn phôi gia công vào dụng cụ điện đã bật và chỉ tắt dụng cụ điện sau khi bạn nhấn phôi gia công ra.** Phôi gia công có thể chuyển động đột ngột.
- ▶ **Không được chạm vào đĩa mài đang chạy của dụng cụ điện.** Điều này có thể gây ra thương tích nghiêm trọng.
- ▶ **Hãy đeo tạp dề. Đảm bảo rằng không có người bị nguy hiểm do tia lửa điện bay ra. Loại bỏ các vật liệu dễ cháy từ gần đó.** Khi mài kim loại sẽ xuất hiện tia lửa điện bay ra.

Dùng đá mài silic cacbua C (phụ kiện) khi làm việc với vật gia công có chất liệu cacbua (TC).

- Hãy đặt phôi gia công cần mài lên tấm đỡ phôi gia công (12) và ấn nhẹ vào đĩa mài. Để đạt được hiệu quả tốt nhất, di chuyển vật gia công tới lui nhẹ nhàng. Điều này cũng bảo đảm cho đá mài bị mòn một cách đồng đều.
- Trình thoảng những vật gia công vào nước để làm nguội.

Vận chuyển

- Nếu có thể, đặt những lưỡi cưa không được sử dụng tới vào trong một bao bì đóng gói để chuyển vận.
- Quấn hết dây điện lại và buộc nó lại với nhau.

- Hãy giữ dụng cụ điện để nâng hoặc vận chuyển từ dưới lên cả hai nắp bảo vệ (6). Trong vùng các lỗ khoan để lắp (7) bạn có thể đỡ dụng cụ điện.
- ▶ **Không sử dụng dụng cụ chống tia lửa (11) hoặc tấm đỡ phối gia công khi vận chuyển dụng cụ điện (12).**

Sự thải bỏ

Máy, linh kiện và bao bì phải được phân loại để tái chế theo hướng thân thiện với môi trường.



Không được thải bỏ dụng cụ điện vào chung với rác sinh hoạt!

Bảo Dưỡng và Bảo Quản

Bảo Dưỡng Và Làm Sạch

- ▶ **Trước khi tiến hành bất cứ việc gì trên máy, kéo phích cắm điện nguồn ra.**
- ▶ **Để được an toàn và máy hoạt động đúng chức năng, luôn luôn giữ máy và các khe thông gió được sạch.**

Nếu như cần phải thay dây dẫn điện thì công việc này phải do hãng **Bosch**, hay một đại lý được **Bosch** ủy nhiệm thực hiện để tránh gặp sự nguy hiểm do mất an toàn.

Dịch vụ hỗ trợ khách hàng và tư vấn sử dụng

Bộ phận phục vụ hàng sau khi bán của chúng tôi trả lời các câu hỏi liên quan đến việc bảo dưỡng và sửa chữa các sản phẩm cũng như phụ tùng thay thế của bạn. Sơ đồ mô tả và thông tin về phụ tùng thay thế cũng có thể tra cứu theo dưới đây:

www.bosch-pt.com

Đội ngũ tư vấn sử dụng của Bosch sẽ giúp bạn giải đáp các thắc mắc về sản phẩm và phụ kiện.

Trong tất cả các phản hồi và đơn đặt phụ tùng, xin vui lòng luôn luôn nhập số hàng hóa 10 chữ số theo nhãn của hàng hóa.

Việt Nam

CN CÔNG TY TNHH BOSCH VIỆT NAM TẠI TP.HCM

Tầng 14, Ngôi Nhà Đức, 33 Lê Duẩn
Phường Bến Nghé, Quận 1, Thành Phố Hồ Chí Minh

Tel.: (028) 6258 3690

Fax: (028) 6258 3692 - 6258 3694

Hotline: (028) 6250 8555

Email: tuvankhachhang-pt@vn.bosch.com

www.bosch-pt.com.vn

www.baohanhbosch-pt.com.vn

Campuchia

Công ty TNHH Robert Bosch (Campuchia)
Đơn nguyên 8BC, GT Tower, Tầng 08, Đường 169,
Tiệp Khắc Blvd, Sangkat Veal Vong,
Khan 7 Makara, Phnom Penh

VAT TIN: 100 169 511

Tel.: +855 23 900 685

Tel.: +855 23 900 660

www.bosch.com.kh

مخصص للاستعمال الخارجي من خطر الصدمات الكهربائية.

◀ **إن لم يكن بالإمكان تجنب تشغيل العدة الكهربائية في الأجواء الرطبة، فاستخدم مفتاح للوقاية من التيار المتخلف.** إن استخدام مفتاح للوقاية من التيار المتخلف يقلل خطر الصدمات الكهربائية.

أمان الأشخاص

◀ **كن يقظا وانتبه إلى ما تفعله واستخدم العدة الكهربائية بتعقل.** لا تستخدم عدة كهربائية عندما تكون متعبا أو عندما تكون تحت تأثير المخدرات أو الكحول أو الأدوية. عدم الانتباه للحظة واحدة عند استخدام العدة الكهربائية قد يؤدي إلى إصابات خطيرة.

◀ **قم لارتداء تجهيزات الحماية الشخصية. وارتد دائما نظارات واقية.** يعد ارتداء تجهيزات الحماية الشخصية، كقناع الوقاية من الغبار وأحذية الأمان الواقية من الانزلاق والوذو أو واقية الأذنين، حسب ظروف استعمال العدة الكهربائية، من خطر الإصابة بجروح.

◀ **تجنب التشغيل بشكل غير مقصود.** تأكد من كون العدة الكهربائية مطفأة قبل توصيلها بالتيار الكهربائي و/أو بالمركم، وقبل رفعها أو حملها. إن كنت تضع إصبعك على المفتاح أثناء حمل العدة الكهربائية أو إن وصلت الجهاز بالشبكة الكهربائية بينما لامفتاح على وضع التشغيل، قد يؤدي إلى وقوع الحوادث.

◀ **انزع أداة الضبط أو مفتاح الربط قبل تشغيل العدة الكهربائية.** قد تؤدي الأداة أو المفتاح المتواجد في جزء دوار من الجهاز إلى الإصابة بجروح.

◀ **تجنب أوضاع الجسم غير الطبيعية.** قف بأمان وحافظ على توازنك دائما. سيسمح لك ذلك بالتمكّن في الجهاز بشكل أفضل في المواقف الغير متوقعة.

◀ **قم بارتداء ثياب مناسبة.** لا ترتد الثياب الفضفاضة أو الملّية. احرص على إبقاء الشعر والملابس بعيدا عن الأجزاء المتحركة. قد تتشابك الثياب الفضفاضة والملّية والشعر الطويل بالأجزاء المتحركة.

◀ **إن جاز تركيب تجهيزات شفط وتجميع الغبار، فتأكد من أنها موصولة وبأنه يتم استخدامها بشكل سليم.** قد يقلل استخدام تجهيزات لشفط الغبار من المخاطر الناتجة عن الغبار.

◀ **لا تستخدم العدة الكهربائية بلا مبالاة وتتجاهل قواعد الأمان الخاصة بها نتيجة لتعودك على استخدام العدة الكهربائية وكثرة استخدامها.** فقد يتسبب الاستعمال دون حرص في حدوث إصابة بالغة تحدث في أجزاء من الثانية.

◀ **حسن معاملة واستخدام العدد الكهربائية**

◀ **لا تفرط بتحميل الجهاز. استخدم لتفنيذ أشغالك العدة الكهربائية المخصصة لذلك.** إنك تعمل بشكل أفضل وأكثر أماناً بواسطة العدة الكهربائية الملائمة في مجال الأداء المذكور.

◀ **لا تستخدم العدة الكهربائية إن كان مفتاح تشغيلها تالف.** العدة الكهربائية التي لم يعد من

عربي

إرشادات الأمان

الإرشادات العامة للأمان بالعدد الكهربائية

تحذير

اطلع على كافة تحذيرات الأمان والتعليمات والصور والمواصفات المرفقة بالعدة الكهربائية. عدم اتباع التعليمات الواردة أدناه قد يؤدي إلى حدوث صدمة كهربائية، إلى نشوب حريق و/أو الإصابة بجروح خطيرة.

احتفظ بجميع الملاحظات التحذيرية والتعليمات للمستقبل.

يقصد بمصطلح «العدة الكهربائية» المستخدم في الملاحظات التحذيرية، العدد الكهربائي الموصولة بالشبكة الكهربائية (بواسطة كابل الشبكة الكهربائية) وأيضا العدد الكهربائي المزودة بمركم (دون كابل الشبكة الكهربائية).

الأمان بمكان الشغل

◀ **حافظ على نظافة مكان شغلك وإضاءته بشكل جيد.** الفوضى في مكان الشغل ونطاقات العمل غير المضأة قد تؤدي إلى وقوع الحوادث.

◀ **لا تشغل بالعدة الكهربائية في نطاق معرض لخطر الانفجار مثل الأماكن التي تتوفر فيه السوائل أو الغازات أو الأعبرة القابلة للاشتعال.** العدد الكهربائي تولد شررا قد يتطاير، فيشعل الأعبرة والأبخرة.

◀ **حافظ على بقاء الأطفال وغيرهم من الأشخاص بعيدا عندما تستعمل العدة الكهربائية.** تشتيت الانتباه قد يتسبب في فقدان السيطرة على الجهاز.

الأمان الكهربائي

◀ **يجب أن يتلائم قابس العدة الكهربائية مع المقبس.** لا يجوز تغيير القابس بأي حال من الأحوال. لا تستعمل القوابس المهائية مع العدد الكهربائية المؤرضة (ذات طرف أرضي). تخفّض القوابس التي لم يتم تغييرها والمقابس الملائمة من خطر الصدمات الكهربائية.

◀ **تجنب ملامسة جسمك للأسطح المؤرضة كالأنابيب والمبردات والمواقد أو التلاجات.** يزداد خطر الصدمات الكهربائية عندما يكون جسمك مؤرض أو موصل بالأرضي.

◀ **أبعد العدة الكهربائية عن الأمطار أو الرطوبة.** يزداد خطر الصدمات الكهربائية إن تسرب الماء إلى داخل العدة الكهربائية.

◀ **لا تسيّ استعمال الكابل.** لا تستخدم الكابل في حمل العدة الكهربائية أو سحبها أو سحب القابس من المقبس. احرص على إبعاد الكابل عن الحرارة والزيت والحواف الحادة أو الأجزاء المتحركة. تزيد الكابلات التالفة أو المتشابكة من خطر الصدمات الكهربائية.

◀ **عند استخدام العدة الكهربائية خارج المنزل اقتصر على استخدام كابلات التمديد الصالحة للاستعمال الخارجي.** يقلل استعمال كابل تمديد

- ◀ لا تقم بعملية الجلغ على جوانب أقراص الجلغ. فمن الممكن أن يؤدي الجلغ على جانب القرص إلى كسر القرص وتطاير أجزاء منه. احرص على ارتداء نظارات واقية.



- ◀ لا تترك العدة أبداً قبل أن تنهي حركتها تماماً. إن عدد الشغل التي يتابع دورانها قد تحدث الإصابات.
- ◀ احتفظ بالملحقات والعدة الكهربائية التي لا يتم استعمالها في مكان آمن. يجب أن يكون مكان التخزين جافاً وقابلًا للتلقيح. يمنع ذلك تعرض العدة الكهربائية لأضرار بسبب تخزينها أو استخدامها من قبل أشخاص دون خبرة.
- ◀ افحص الكابل بشكل منتظم واسمع بتصليح الكبل التالف من قبل مركز خدمة وكالة شركة بوش للعدد الكهربائية فقط. استبدل كابلات التمديد التالفة. يؤمن ذلك المحافظة على أمان الجهاز.
- ◀ قم بتوصيل الجهاز في شبكة مؤرصة بطريقة صحيحة. يجب أن يحتوي المقبس الكهربائي وكابل الإطالة على وصلة أرضي سليمة.
- ◀ حافظ على نظافة مكان العمل. كما أن اختلاط المواد بعضها ببعض أمر خطير جداً. حيث يمكن أن يشتعل غبار المعدن الثقيف أو ينفجر.
- ◀ قم بحماية عدة الجلغ من الصدمات والطرقات والشحوم.

الرموز

قد تكون الرموز التالية ذات أهمية من أجل استعمال عدتك الكهربائية. يرجى حفظ الرموز ومعناها. يساعدك تفسير الرموز بشكل صحيح على استعمال عدتك الكهربائية بطريقة أفضل وأكثر أماناً.

الرموز ومعناها

- ◀ لا تقترب بيديك من مجال حركة قرص الجلغ أثناء دوران العدة الكهربائية. يتشكل خطر الإصابة بجروح عند ملامسة قرص الجلغ.



- ◀ قم بارتداء واقية سمع. قد يؤدي تأثير الضجيج إلى فقدان قدرة السمع.



- ◀ قم بارتداء نظارات واقية.



- ◀ قم بارتداء قناع للوقاية من الغبار.



- الممكن التحكم بها عن طريق مفتاح التشغيل والإطفاء تعتبر خطيرة ويجب أن يتم إصلاحها.
 - ◀ اسحب القابس من المقبس و/أو اخلع المركب، إذا كان قابلاً للخلع، قبل ضبط الجهاز وقبل استبدال الملحقات أو قبل تخزين الجهاز. تمنع هذه الإجراءات وقائية تشغيل العدة الكهربائية بشكل غير مقصود.
 - ◀ احتفظ بالعدد الكهربائية التي لا يتم استخدامها بعيداً عن متناول الأطفال. لا تسمح باستخدام العدة الكهربائية لمن لا خبرة له بها أو لمن لم يقرأ تلك التعليمات. العدد الكهربائي خطيرة إن تم استخدامها من قبل أشخاص دون خبرة.
 - ◀ اعتن بالعدة الكهربائية والملحقات بشكل جيد. تأكد أن أجزاء الجهاز المتحركة مركبة بشكل سليم وغير مستعصية عن الحركة، وتفحص ما إن كانت هناك أجزاء مكسورة أو في حالة تؤثر على سلامة أداء العدة الكهربائية. ينبغي إصلاح هذه الأجزاء التالفة قبل إعادة تشغيل الجهاز. الكثير من الموادث مصدرها العدد الكهربائية التي تتم صيانتها بشكل رديء.
 - ◀ احرص على إبقاء عدد القطع نظيفة وحادة. إن عدد القطع ذات حواف القطع المادة التي تم صيانتها بعناية تتكلم بشكل أقل ويمكن توجيهها بشكل أيسر.
 - ◀ استخدم العدد الكهربائية والتوابع وربش الشغل إلخ. وفقاً لهذه التعليمات. تراعى أثناء ذلك ظروف الشغل والعمل المراد تنفيذه. استخدام العدد الكهربائية لغير الأشغال المخصصة لأجلها قد يؤدي إلى حدوث الحالات الخطيرة.
 - ◀ احرص على إبقاء المقابض وأسطح المسك جافة ونظيفة وخالية من الزيوت والشحوم. المقابض وأسطح المسك الزلقة لا تتبع التشغيل والتحكم الآمن في العدة في المواقف غير المتوقعة.
- ### الخدمة
- ◀ احرص على إصلاح عدتك الكهربائية فقط بواسطة العمال المتخصصين وباستعمال قطع الغيار الأصلية فقط. يضمن ذلك المحافظة على أمان الجهاز.
- ### تحذيرات الأمان الخاصة بطاولة الجلغ
- ◀ لا تستخدم ملحق به ضرر. قبل كل استخدام قم بفحص الملحق مثل أقراص التليخ من حيث وجود قطع مكسورة أو تشققات. بعد فحص الملحق وتركيبه ابتعد أنت ومن حولك عن سطح الملحق الدوار، وطم بتشغيل العدة الكهربائية على أقصى سرعة دون حمل لمدة دقيقة واحدة. ستنفصل الملحقات التي يوجد بها أضرار أثناء وقت الاختبار هذا.
 - ◀ يجب أن تتساوى السرعة الاسمية للملحق على الأقل مع السرعة القصوى المدونة على العدة الكهربائية. الملحقات التي تدور بسرعة أعلى من سرعتها الاسمية يمكن أن تنكسر وتطير بعيداً.

آلة جـلج ثنائية		GBG 60-20
3000	دقيقة ¹	- 50 هرتز
3600	دقيقة ¹	- 60 هرتز
M12		لولب محور دوران الجلاخة
أقراص التـجـلـج		
200	مم	- القطر
25	مم	- العرض
32	مم	- ثقب الحـضـن
24/60		- المبيبات
فلانشة التثبيت		
15	مم	- ثقب الحـضـن
1,5	مم	- أدنى تجويف
16,5	كجم	الوزن حسب EPTA- Procedure 01:2014
فئة الحماية		
I/⊕		

(A) يصف نوع التشغيل S2 (60 دقيقة) التشغيل لمدة قصيرة لمدة تشغيل قصوى تبلغ 60 دقيقة. اركن العدة الكهربائية بعد هذه المدة وأتركها تبرد. تسري البيانات على جهد اسمي [U] يبلغ 230 فولت. قد تختلف تلك البيانات حسب اختلاف الجهد والطرزات الخاصة بكل دولة.

التركيب

- ◀ اسحب القابس من مقبس الشبكة الكهربائية قبل إجراء أي عمل على العدة الكهربائية.
- قم بتثبيت العدة الكهربائية من التجاويف الأربعة المقررة (7) على طاولة العمل/لوح العمل باستخدام لولب مناسبة.

تركيب واقية الشرر/مسند قطعة الشغل (انظر الصور A-D)

- ركب حامل واقية الشرر (10) بواسطة اللولبين.
- اربط واقية الشرر (11) بحامل واقية الشرر (10).
- ركب مسند قطعة الشغل (12) كما هو موضح بالصورة.

- ◀ افحص المسافة بين مسند قطعة الشغل (12) أو حامل واقية الشرر (11) وقرص الجـلـج بشكل منتظم واضبطها إن تطلب الأمر ذلك. لا يجوز أن يزيد بعد المسافة إلى قرص الجـلـج عن 2 مم. عندما تصبح المسافة كبيرة لا تكون محميا بالقدر الكافي من تطاير الشرر. يمكن سحب قطعة الشغل من خلال حركة دوران قرص الجـلـج مما قد يؤدي لوقوع حوادث.

- ◀ لا تستخدم العدة الكهربائية إلا مع واقية الشرر (11) وحركها إلى أسفل قدر الإمكان. قد يتسبب الشرر المتطاير في إصابة عينيك أو إشعال حريق في الأشياء الموجودة حولك.

- ◀ لا تستخدم العدة الكهربائية إلا مع مسند قطعة الشغل. لا تتم بتبديل مسند قطعة الشغل الأيمن والأيسر (12). وإلا ستمتع المسافة بين مسند قطعة الشغل (12) وقرص السفرة كبيرة للغاية. عندما تصبح المسافة كبيرة لا

الرموز ومعناها

ارتد قفازا واقيا.



وصف المنتج والأداء

اقرأ جميع إرشادات الأمان والتعليمات. ارتكاب الأخطاء عند تطبيق إرشادات الأمان والتعليمات، قد يؤدي إلى حدوث صدمات كهربائية أو إلى نشوب الحرائق و/أو الإصابة بجروح خطيرة.



يرجى الرجوع إلى الصور الموجودة في الجزء الأول من دليل التشغيل.

الاستعمال المطابق للتعليمات

العدة الكهربائية مخصصة لشحذ العدد وأيضا لجلج وتلميس المعادن. يجوز استعمال العدة الكهربائية للتشغيل لمدة قصيرة فقط (لفترة أقصاها 60 دقيقة).

الأجزاء المصورة

يشير ترقيم الأجزاء المصورة إلى رسوم العدة الكهربائية الموجودة في صفحة الرسوم التخطيطية.

- (1) الغطاء
- (2) صامولة الشد
- (3) شفة شد
- (4) فلانشة التثبيت
- (5) محور دوران الجلاخة
- (6) غطاء الوقاية
- (7) تجاويف التركيب
- (8) مفتاح التشغيل والإطفاء
- (9) مفتاح هلال^(A)
- (10) حامل واقية الشرر
- (11) واقية الشرر
- (12) مسند قطعة الشغل

(A) لا يتضمن إطار التوريد الاعتيادي التوابع المصورة أو المشروحة. تجد التوابع الكاملة في برنامجنا للتوابع.

البيانات الفنية

آلة جـلج ثنائية		GBG 60-20
رقم الصنف		3 601 B7A 4..
قدرة الدخل الاسمية P ₁	واط	600
قدرة الخرج P ₂		
- 50 هرتز	واط	420
- 60 هرتز	واط	430
نوع التشغيل ^(A)		S2 (60 دقيقة)
عدد اللفات اللاحملي		

التشغيل

بدء التشغيل

- ◀ يراعى جهد الشبكة الكهربائية! يجب أن يتطابق جهد منبع التيار مع البيانات المذكورة على لوحة صنع العدة الكهربائية. يمكن أن يتم تشغيل العدة الكهربائية المميزة بعلامة 230 فلت في مقبس 220 فلت أيضا.
- ◀ افحص عدة الجلج قبل استخدامها. يجب أن تكون عدة الجلج مركبة بشكل سليم وتدور بشكل حر. قم بعمل تشغيل تجريبي لمدة دقيقة واحدة دون تحميل. لا تستخدم أدوات تجليخ بها أضرار أو غير منتظمة الشكل أو تهتز بشكل مفرط. فقد تنكسر أدوات التجليخ التي بها أضرار وتتسبب في حدوث إصابات.

التشغيل والإطفاء

- لغرض تشغيل العدة الكهربائية اضبط مفتاح التشغيل والإطفاء (8) على الوضع „1“.
- لغرض إطفاء العدة الكهربائية اضبط مفتاح التشغيل والإطفاء (8) على الوضع „0“.

إرشادات العمل

- ◀ قم بتحريك قطعة الشغل فقط عكس العدة الكهربائية المشغلة، و قم أولا بإيقاف العدة الكهربائية أولا، بعد أن ترفع قطعة الشغل. قد تتحرك قطعة الشغل بشكل مفاجئ.
- ◀ لا تمد يدك إلى قرص جلج العدة الكهربائية الدوار أبدا. قد يؤدي ذلك إلى الإصابات الشديدة.
- ◀ احرص على ارتداء ملابس العمل الواقية. احرص على عدم تعرض أية أشخاص للإصابة من جراء تطاير الشرر. قم بإبعاد المواد القابلة للاشتعال عن العدة الكهربائية. عند القيام بتجليخ المعادن يتولد شرر متطاير.
- استخدم أقراص جلج من كربيد السيليثيوم C (توابع) لمعالجة قطع الشغل المصنوعة من المعدن الصلب.
- ضع قطعة الشغل المرغوب جلخها على مسند قطعة الشغل (12) واضغطها بخفة ضد قرص الجلج. حرك قطعة الشغل قليلا جيئة وذهابا للتوصل إلى نتائج الجلج المثالية. كما يتم استهلاك قرص الجلج بطريقة متساوية بهذا الشكل.
- قم بتبريد قطعة الشغل بالماء من وقت لآخر.

النقل

- أبعد جميع قطع التوابع التي لا يمكن تثبيتها بالعدة الكهربائية بإحكام.
- قم بلف كابل الكهرايا بالكامل واحزمه.
- لغرض الرفع أو النقل أمسك العدة الكهربائية من أسفل من غطائي الوقاية (6). يمكن تدعيم العدة الكهربائية في نطاق التجاويف الخاصة بالتثبيت (7).
- ◀ عند نقل العدة الكهربائية لا تقم أبدا باستخدام واقية الشرر (11) أو مسند قطعة الشغل (12).

تكون ممحيا بالقدر الكافي من تطاير الشرر. يمكن سحب قطعة الشغل من خلال حركة دوران قرص الجلج مما قد يؤدي لوقوع حوادث.

استبدال أقراص الجلج

- ◀ يجب أن تتساوى السرعة الاسمية للملحق على الأقل مع السرعة القصوى المدونة على العدة الكهربائية. الملحقات التي تدور بسرعة أعلى من سرعتها الاسمية يمكن أن تنكسر وتطير بعيدا.
- ◀ لا يسمح باستخدام أقراص التجليخ التي يتخطى قطرها القيمة المذكورة على العدة الكهربائية.
- ◀ لا تستخدم العدة الكهربائية إلا عندما تكون عدد الشغل مركبة على جانبي محور الدوران. وبهذا يتم تجنب ملامسة محور الدوران أثناء دورانه.

استبدل قرص الجلج إن لم يعد حامل واقية الشرر (10) يسمح بضبطه على مسافة البعد المطلوبة عن قرص الجلج البالغة 2 مم على الأقصى.

- قم بحل اللوالب الثلاثة الموجودة بالغطاء (1) وأخلع الغطاء. قم بتثبيت محور دوران الجلاخة (5) عن طريق مفتاح هلالتي (9) و قم بفك صامولة الشد (2) من محور دوران الجلاخة (5).

إرشاد: إن أسنان قلاووظ محور دوران الجلاخة (5) الخارج عن العدة الكهربائية من الجانب اليساري يسارية الاتجاه.

- اخلع فلانشة الشد (3) وقرص الجلج عن محور دوران الجلاخة (5).

- يتم تركيب قرص الجلج الجديد بالتسلسل العكسي. قم بإعادة تركيب الغطاء (1) بضغط قوي، وثبته بواسطة اللوالب الثلاثة.

قم بتسوية أقراص الجلج المستهلكة وغير الدائرية بواسطة حجر شحذ (توابع) قبل المتابعة باستخدامها.

- ◀ اسحب القابس من مقبس الشبكة الكهربائية قبل إجراء أي عمل على العدة الكهربائية.

شغط الغبار/النشارة

إن أغبرة بعض المواد كالمطاط الذي يحتوي على الرصاص، وبعض أنواع الخشب والفلزات والمعادن، قد تكون مضرّة بالصحة. إن ملامسة أو استنشاق الأغبرة قد يؤدي إلى ردود فعل زائدة الحساسية و/أو إلى أمراض المجاري التنفسية لدى المستخدم أو لدى الأشخاص المتواجدين على مقربة من المكان.

تعتبر بعض الأغبرة المعينة، كأغبرة البلوط والزان من مسببات السرطان، وبالأخص عند اتصالها بالمواد الإضافية الخاصة بمعالجة الخشب (ملح حامض الكروميك، المواد الحافظة للخشب). يجوز أن يتم معالجة المواد التي تحتوي على الأسبستوس من قبل العمال المتخصصين فقط دون غيرهم.

- حافظ على تهوية مكان الشغل بشكل جيد.
- ينصح بارتداء قناع وقاية للتنفس من فئة المرشح P2.

تراعى الأحكام السارية في بلدكم بالنسبة للمواد المرغوب معالجتها.

- ◀ تجنب تراكم الغبار بمكان العمل. يجوز أن تشتعل الأغبرة بسهولة.

الصيانة والخدمة

الصيانة والتنظيف

◀ اسحب القابس من مقبس الشبكة الكهربائية قبل إجراء أي عمل على العدة الكهربائية.

◀ للعمل بشكل جيد وأمن حافظ دائماً على نظافة العدة الكهربائية وفتحات التهوية.

إذا تطلب الأمر استبدال خط الإمداد، فينبغي أن يتم ذلك من قبل شركة Bosch أو من قبل مركز خدمة الزبائن المعتمد لشركة Bosch للعدد الكهربائية، لتجنب التعرض للمخاطر.

خدمة العملاء واستشارات الاستخدام

يجيب مركز خدمة العملاء على الأسئلة المتعلقة بإصلاح المنتج وصيانته، بالإضافة لقطع الغيار. تجد الرسوم التفصيلية والمعلومات الخاصة بقطع الغيار في الموقع: www.bosch-pt.com

يسر فريق Bosch لاستشارات الاستخدام مساعدتك إذا كان لديك أي استفسارات بخصوص منتجاتنا وملحقاتها.

يلزم ذكر رقم الصنف ذو الخانات العشر وفقاً للوحة صنع المنتج عند إرسال أية استفسارات أو طلبيات قطع غيار.

الجزائر

سيستال

منطقة الحدادين الصناعية

06000 بناية

هاتف: 213 (0) 982 400 991/2

فاكس: 213 (0) 3 420 1569

البريد الإلكتروني: sav@siestal-dz.com

البحرين

شركة الجفلي وإخوانه للمعدات الفنية.

مملكة البحرين، العكر - بلوك 0624 - شارع 2403 -

مبنى 0055D

الهاتف: +97317704537

فاكس: +973177045257

البريد الإلكتروني: h.berjas@eajb.com.sa

مصر

RBEG-LLC

22 كمال الدين حسين

شيراتون هليوبوليس

القاهرة 11799

البريد الإلكتروني:

boschegypt.powertools@eg.bosch.com

العراق

Sahba Technology Group

شارع مطار المثنى

بغداد

هاتف بغداد: +964 (0) 7 901 930366

هاتف دبي: +971 (0) 4 222 1898

البريد الإلكتروني: duraid@sahbatechnology.com

الأردن

شركة الجذور العربية Roots Arabia - الأردن

شارع الحرية، المقابلين

عمان 11623، الأردن

صندوق بريد: 110068
هاتف: +962 6 4398990
البريد الإلكتروني: bosch@rootsjordan.com

الكويت

منطقة الشويخ الصناعية، مبنى 1، قطعة 16، شارع

رقم 3

صندوق بريد صندوق 164 - 13002 الصفاة

هاتف: 24810844

فاكس: 24810879

بريد إلكتروني: josephkr@aaalmutawa.com

لبنان

طحيني هنا وشركاه ش.ذ.م.م.

صندوق بريد صندوق 90-449

جديدة

الدورة-بيروت

هاتف: +9611255211

بريد إلكتروني: service-pt@tehini-hana.com

المغرب

Robert Bosch Morocco SARL

53، شارع الملازم محمد محروم

20300 الدار البيضاء

الهاتف: +212 5 29 31 43 27

البريد الإلكتروني: sav.outillage@ma.bosch.com

عمان

ملتن للتجارة والمقاولات ش. م. م

صندوق بريد 131، روى، مسقط

الكود البريدي: 112، سلطنة عمان

هاتف: +968 2479 4035/4089/4901

جوال: +968-91315465

فاكس: +968 2479 4058

البريد الإلكتروني: sudhirkumar@malatan.net

قطر

الدولية لحلول البناء ش.م.م

صندوق بريد صندوق 51،

هاتف الدوحة: +974 40065458

فاكس: +974 4453 8585

بريد إلكتروني: csd@icsdoha.com

المملكة العربية السعودية

شركة الجفلي للمعدات الفنية (جيتكو)

صندوق بريد: 1049 - جدة 21431 - المملكة العربية

السعودية

جدة: 00966 (0) 12 692 0770 - داخلي 433

الرياض: 00966 (0) 11 409 3976 -

داخلي-39/34/30

الدمام: 00966 (0) 13 833 9565

البريد الإلكتروني: M.Zreik@eajb.com.sa

سوريا

مؤسسة دلال للمعدات الكهربائية

دمشق. شارع البرامكة - شارع بن عامر

هاتف: +963112241006 أو +009631122414009

الجوال: 00963991141005

البريد الإلكتروني: rita.dallal@hotmail.com

تونس

روبرت بوش تونس ش.ذ.م.م

7 زنفة ابن بطوطة Z.I. سان جوبان

مقرين رياض

2014 ابن عروس
هاتف : +216 71 427 496/879
فاكس: +216 71 428 621
بريد إلكتروني: sav.outillage@tn.bosch.com

الإمارات العربية المتحدة

المركزية للسيارات والمعدات،
صندوق بريد 26255، دبي
دبي: 00971 (0) 4 3090920/3090930
أبو ظبي: 00971 (0) 2 4017745
الشارقة: 00971 (0) 6 5932777
العين: 00971 (0) 3 7157419
البريد الإلكتروني:
Mallappa.Madari@centralmotors.ae

اليمن

مؤسسة أبو الرجال التجارية
صنعاء، شارع الزبيرى. أمام مبنى البرلمان الجديد
هاتف: +967-1-202010
فاكس: +967-1-471917
بريد إلكتروني: /tech-tools@abualrejal.com
yahya@abualrejal.com

التخلص من العدة الكهربائية

ينبغي تسليم العدة الكهربائية والتوابع والعبوة إلى
مركز معالجة النفايات بطريقة محافظة على البيئة.
لا ترمم العدة الكهربائية ضمن النفايات
المنزلية.



فارسی

دستورات ایمنی

نکات ایمنی عمومی برای ابزارهای برقی

هشدار

کلیه هشدارها، دستورالعملها، تصاویر و

مشخصات ارائه شده به همراه ابزار برقی را مطالعه کنید. اشتباهات ناشی از عدم رعایت این دستورات ایمنی ممکن است باعث برق گرفتگی، سوختگی و یا سایر جراحات های شدید شود.

کلیه هشدارهای ایمنی و راهنماییها را برای آینده خوب نگهداری کنید.

عبارت «ابزار برقی» در هشدارها به ابزارهایی که به پریز برق متصل میشوند (با سیم برق) و یا ابزارهای برقی باتری دار (بدون سیم برق) اشاره دارد.

ایمنی محل کار

محیط کار را تمیز و روشن نگه دارید. محیطهای در هم ریخته یا تاریک احتمال بروز حادثه را افزایش میدهند.

ابزار برقی را در محیطهایی که خطر انفجار وجود دارد و حاوی مایعات، گازها و بخارهای متحرکه هستند، به کار نگیرید. ابزارهای برقی چرخههایی ایجاد میکنند که میتوانند باعث آتش گرفتن گرد و غبارهای موجود در هوا شوند.

هنگام کار با ابزار برقی، کودکان و سایر افراد را از دستگاه دور نگه دارید. در صورتیکه حواس شما پرت شود، ممکن است کنترل دستگاه از دست شما خارج شود.

ایمنی الکتریکی

دوشاخه ابزار برقی باید با پریز برق تناسب داشته باشد. هیچگونه تغییری در دوشاخه ایجاد نکنید. مبدل دوشاخه نباید همراه با ابزار برقی دارای اتصال زمین استفاده شود. دوشاخههای اصل و تغییر داده نشده و پریزهای مناسب، خطر برق گرفتگی را کاهش میدهند.

از تماس بدنی با قطعات متصل به سیم اتصال زمین مانند لوله، شوفاژ، اجاق برقی و یخچال خودداری کنید. در صورت تماس بدنی با سطوح و قطعات دارای اتصال به زمین و همچنین تماس شما با زمین، خطر برق گرفتگی افزایش می یابد.

ابزارهای برقی را در معرض باران و رطوبت قرار ندهید. نفوذ آب به ابزار برقی، خطر شوک الکتریکی را افزایش میدهد.

از سیم دستگاه برای مقاصد دیگر استفاده نکنید. هرگز برای حمل ابزار برقی، کشیدن آن یا خارج کردن دوشاخه از سیم دستگاه استفاده نکنید. کابل دستگاه را از حرارت، روغن، لیبهای تیز یا قطعات متحرک دور نگه دارید. کابلهای آسیب دیده و یا گره خورده خطر شوک الکتریکی را افزایش میدهند.

هنگام استفاده از ابزار برقی در محیطهای باز، تنها از کابل رابطی استفاده کنید که برای محیط باز نیز مناسب باشد. کابل های رابط

مناسب برای محیط باز، خطر برق گرفتگی را کم می کنند.

در صورت لزوم کار با ابزار برقی در محیط و اماکن مرطوب، باید از یک کلید حفاظتی جریان خطا و نشستی زمین (کلید قطع کننده اتصال با زمین) استفاده کنید. استفاده از کلید حفاظتی جریان خطا و نشستی زمین خطر برق گرفتگی را کاهش می دهد.

رعایت ایمنی اشخاص

حواس خود را خوب جمع کنید، به کار خود دقت کنید و با فکر و هوشیاری کامل با ابزار برقی کار کنید. در صورت خستگی و یا در صورتی که مواد مخدر، الکل و دارو استفاده کردهاید، با ابزار برقی کار نکنید. یک لحظه بی توجهی هنگام کار با ابزار برقی، میتواند جراحات های شدیدی به همراه داشته باشد.

از تجهیزات ایمنی شخصی استفاده کنید. همواره از عینک ایمنی استفاده نمایید. استفاده از تجهیزات ایمنی مانند ماسک ضد گرد و غبار، کفشهای ایمنی ضد لغزش، کلاه ایمنی و گوشی محافظ متناسب با نوع کار با ابزار برقی، خطر مجروح شدن را کاهش میدهد.

مواظب باشید که ابزار برقی بطور ناخواسته بکار نیفتد. قبل از وارد کردن دوشاخه دستگاه در پریز برق، اتصال آن به باتری، برداشتن آن و یا حمل دستگاه، باید دقت کنید که ابزار برقی خاموش باشد. در صورتی که هنگام حمل دستگاه انگشت شما روی دکمه قطع و وصل باشد و یا دستگاه را در حالت روشن به برق بزنید، ممکن است سوانح کاری پیش آید.

قبل از روشن کردن ابزار برقی، همه ابزارهای تنظیم کننده و آپارها را از روی دستگاه بردارید. ابزار و آپارهایی که روی بخش های چرخنده دستگاه قرار دارند، میتوانند باعث ایجاد جراحات شوند.

وضعیت بدن شما باید در حالت عادی قرار داشته باشد. برای کار جای مطمئنی برای خود انتخاب کرده و تعادل خود را همواره حفظ کنید. به این ترتیب میتوانید ابزار برقی را در وضعیتهای غیر منتظره بهتر تحت کنترل داشته باشید.

لباس مناسب بپوشید. از پوشیدن لباسهای گشاد و حمل زینت آلات خودداری کنید. موها و لباس خود را از بخشهای در حال چرخش دستگاه دور نگه دارید. لباسهای گشاد، موی بلند و زینت آلات ممکن است در قسمتهای در حال چرخش دستگاه گیر کنند.

در صورتی که تجهیزاتی برای اتصال وسائل مکش گرد و غبار و یا وسیله جمع کننده گرد و غبار ارائه شده است، باید مطمئن شوید که این وسائل درست نصب و استفاده می شوند. استفاده از وسائل مکش گرد و غبار مصونیت شما را در برابر گرد و غبار زیاده تر میکند.

آشنایی با ابزار به دلیل کار کردن زیاد با آن نباید باعث سهل انگاری شما و نادیده گرفتن اصول ایمنی شود. بی دقتی ممکن است باعث بروز جراحاتی در عرض کسری از ثانیه شود.

- بدون بار، روشن بگذارید. متعلقات آسیبدیده معمولاً هنگام این آزمایش میشوند.
- میزان تحمل سرعت مجاز متعلقات باید حداقل معادل با حداکثر سرعت تعیین شده بر روی ابزار برقی باشد. متعلقاتی که سریعتر از حد مجاز میچرخند، ممکن است بشکنند و به اطراف پرتاب شوند.
- هرگز در کنارهای چرخ سنگ زنی، عمل سنگ زنی را انجام ندهید. در غیر این صورت، ممکن است چرخ بشکند و به اطراف پرتاب شود.
- از عینک ایمنی استفاده کنید.



- هرگز ابزار را قبل از توقف کامل آن، ترک نکنید. ابزار و متعلقات در حال حرکت ممکن است باعث آسیب دیدگی بشوند.
- در صورت عدم استفاده از ابزار برقی و متعلقات، آنها را در محلی امن نگاه دارید. ابزار برقی را باید در انبار و محلی خشک قرار داد، علاوه بر این باید بتوان محل نگهداری آن را قفل نمود. این اقدام ایمنی از آسیب دیدن ابزار برقی و همچنین از دسترسی افراد بدون تجربه و ناوارد به ابزار برقی جلوگیری می کند.
- کابل برق دستگاه را بطور مرتب کنترل کنید و در صورت ایراد و آسیب دیدگی کابل، آنرا منحصرأ توسط خدمات و نمایندگی مجاز برای ابزار آلات برقی Bosch تحت تعمیر قرار دهید. کابل های رابط آسیب دیده را تعویض کنید. این باعث خواهد شد که ایمنی دستگاه شما تضمین گردد.
- دستگاه را به منبع جریان برق ارت شده مطابق مقررات متصل کنید. پریز و کابل برق بایستی دارای حفاظ ارت فعال باشند.
- محل کار را تمیز نگهدارید. ترکیبات مواد بسیار خطرناک هستند. گرد فلز سبک ممکن است آتش بگیرد یا منفجر شود.
- ابزار کار ساینده را در برابر ضربه، چربی و تکان شدید محافظت کنید.

علایم

علایم و نماد های زیر و معانی آنها میتوانند برای کار و استفاده از ابزار برقی شما پر اهمیت باشند. لطفاً این علایم و مفهوم آنها را خوب بخاطر بسپارید. تفسیر صحیح این علایم به شما کمک میکند که ابزار برقی را بهتر و مطمئن تر مورد استفاده قرار بدهید.

علایم و مفاهیم آن

- هرگز دستهای خود را در حال کار کردن با ابزار برقی در محدوده صفحه ساب قرار ندهید. در صورت تماس با صفحه ساب امکان بروز جراحت وجود دارد.



- استفاده صحیح از ابزار برقی و مراقبت از آن از وارد کردن فشار زیاد روی دستگاه خودداری کنید. برای هر کاری، از ابزار برقی مناسب با آن استفاده کنید. بکار گرفتن ابزار برقی مناسب باعث میشود که بتوانید از توان دستگاه بهتر و با اطمینان بیشتر استفاده کنید.
 - در صورت ایراد در کلید قطع و وصل ابزار برقی، از دستگاه استفاده نکنید. ابزار برقی که نمی توان آنها را قطع و وصل کرد، خطرناک بوده و باید تعمیر شوند.
 - قبل از تنظیم ابزار برقی، تعویض متعلقات و یا کنار گذاشتن آن، دوشاخه را از برق بکشید و یا باتری آنرا خارج کنید. رعایت این اقدامات پیشگیری ایمنی از راه افتادن ناخواسته ابزار برقی جلوگیری می کند.
 - ابزار برقی را در صورت عدم استفاده، از دسترس کودکان دور نگه دارید و اجازه ندهید که افراد ناوارد و یا اشخاصی که این دفترچه راهنما را نخواندهاند، با این دستگاه کار کنند. قرار گرفتن ابزار برقی در دست افراد ناوارد و بی تجربه خطرناک است.
 - از ابزار برقی و متعلقات خوب مراقبت کنید. مواظب باشید که قسمت های متحرک دستگاه خوب کار کرده و گیر نکنند. همچنین دقت کنید که قطعات ابزار برقی شکسته و یا آسیب دیده نباشند. قطعات آسیب دیده را قبل از شروع به کار تعمیر کنید. علت بسیاری از سوانح کاری، عدم مراقبت کامل از ابزارهای برقی می باشد.
 - ابزار برش را تیز و تمیز نگه دارید. ابزار برشی که خوب مراقبت شده و از لبه های تیز برخوردار است، کمتر در قطعه کار گیر کرده و بهتر قابل هدایت است.
 - ابزار برقی، متعلقات، متهای دستگاه و غیره را مطابق دستورات این جزوه راهنما به کار گیرید و به شرایط کاری و نوع کار نیز توجه داشته باشید. استفاده از ابزار برقی برای عملیاتی به جز مقاصد در نظر گرفته شده، میتواند به بروز شرایط خطرناک منجر شود.
 - دستها و سطوح عایق را همواره خشک، تمیز و عاری از روغن و گریس نگه دارید. دسته های لغزنده مانع ایمنی و کنترل در کار در شرایط غیر منتظره هستند.
- ### سرویس
- برای تعمیر ابزار برقی فقط به متخصصین حرفهای رجوع کنید و از قطعات یدکی اصل استفاده نمایید. این باعث خواهد شد که ایمنی دستگاه شما تضمین گردد.
- ### هشدارهای ایمنی دستگاه سنگ زنی
- از متعلقات آسیبدیده استفاده نکنید. قبل از هر بار استفاده، صفحهها را از نظر ترک خوردگی و شکستگی کنترل کنید. پس از بررسی و نصب متعلقات، خود و سایر افراد نزدیک به ابزار برقی را از معرض متعلقات در حال چرخش دور نگه دارید و ابزار برقی را به مدت یک دقیقه با حداکثر سرعت در حالت

(12) پایه قطعه کار

علایم و مفاهیم آن

از گوشی ایمنی استفاده کنید.
صدای بلند ممکن است به شنوایی
شما آسیب برساند.



از عینک ایمنی استفاده کنید.



از ماسک ایمنی تنفس در برابر
گرد و غبار استفاده کنید.



از دستکش ایمنی استفاده کنید.



توضیحات محصول و کاربرد

همه دستورات ایمنی و راهنماییها را
بخوانید. اشتباهات ناشی از عدم رعایت
این دستورات ایمنی ممکن است باعث
برقگرفتگی، سوختگی و یا سایر جراحات
های شدید شود.



به تصویرهای واقع در بخشهای اول دفترچه راهنما
توجه کنید.

(A) کلیه متعلقاتی که در تصویر و یا در متن آمده
است، بطور معمول همراه دستگاه ارائه نمی
شود. لطفاً لیست کامل متعلقات را از فهرست
برنامه متعلقات اقتباس نمایید.

مشخصات فنی

دستگاه ساب دو طرفه		GBG 60-20
شماره فنی		3601B7A4..
توان ورودی نامی P _i	W	600
توان خروجی P _o		
– 50 Hz	W	420
– 60 Hz	W	430
نوع عملکرد ^(A)		S2 (60 min)
تعداد دور در حالت بدون بار		
– 50 Hz	min ⁻¹	3000
– 60 Hz	min ⁻¹	3600
رزوه محور دستگاه		M12
صفحات ساب		
– قطر	mm	200
– عرض	mm	25
– سوراخ نگهدارنده	mm	32
– ضخامت		24/60
فلانژ گیرنده		
– سوراخ نگهدارنده	mm	15

موارد استفاده از دستگاه

ابزار برقی جهت تیز کردن ابزارها، همچنین ساییدن و
صاف کردن فلزات در نظر گرفته شده است. ابزار
برقی فقط در عملیات کوتاه مدت (حداکثر 60
دقیقه) مجاز به استفاده کردن است.

تصاویر اجزاء دستگاه

شماره های اجزاء دستگاه که در تصویر مشاهده
میشود، مربوط به شرح ابزار برقی می باشد که تصویر
آن در این دفترچه آمده است.

- (1) قاب
- (2) مهره مهار
- (3) فلانژ مهار
- (4) فلانژ گیرنده
- (5) محور دستگاه
- (6) قاب محافظ
- (7) سوراخهای نصب دستگاه
- (8) کلید روشن/خاموش
- (9) آچار تخت^(A)
- (10) گیره حفاظ جرقه
- (11) حفاظ جرقه

◀ **صفحه سابهایی که دارای قطر بیشتر از مقدار ذکر شده روی ابزار برقی میباشند، مجاز نیستند.**

◀ **ابزار برقی را تنها با ابزارهای نصب شده روی هر دو محور دستگاه بکار برید.** اینگونه از تماس با محور گردان جلوگیری میشود.

صفحه ساب را زمانی تعویض کنید که نتوان دیگر گیره حفاظ جرقه (10) را روی فاصله مورد نیاز با حداکثر 2 میلیمتر برای صفحه ساب تنظیم نمود.

- پیچ قاب (1) را شل کنید و قاب را بردارید. محور دستگاه (5) را با آچار تخت (9) محکم بگیرید و مهره مهار (2) را از محور دستگاه (5) باز کنید.

نکته: در محور خروجی دستگاه (5) موجود در سمت چپ ابزار برقی، یک رزوه چپ قرار دارد.

- فلانژ مهار (3) و صفحه ساب را از محور دستگاه (5) بردارید.

- جهت نصب صفحه ساب جدید، سلسله مراتب نصب را بر عکس اجرا کنید. قاب (1) را با فشار محکم دوباره نصب کنید و آن را با سه پیچ محکم بپیچانید.

صفحات ساب فرسایش یافته و غیر گرد را قبل از استفاده مجدد، با سنگ سنباده (متعلقات) پرداخت کنید.

◀ **پیش از انجام هرگونه کاری بر روی ابزار الکتریکی، دوشاخه اتصال آنرا از داخل پریز برق بیرون بکشید.**

مکش گرد، براده و تراشه

گرد و غبار موادی مانند رنگ های دارای سرب، بعضی از چوب ها، مواد معدنی و فلزات میتوانند برای سلامتی مضر باشند. دست زدن و یا تنفس کردن گرد و غبار ممکن است باعث بروز آلرژی و یا بیماری مجاری تنفسی شخص استفاده کننده و یا افرادی که در آن نزدیکی میباشند، بشود.

گرد و غبارهای مخصوصی مانند گرد و غبار درخت بلوط و یا درخت راش سرطان زا هستند، بخصوص ترکیب آنها با سایر موادی که برای کار بر روی چوب (کرومات، مواد برای محافظت از چوب) بکار برده میشوند. فقط افراد متخصص مجازند با موادی که دارای آزیست میباشند کار کنند.

- توجه داشته باشید که محل کار شما از تهویه هوای کافی برخوردار باشد.

- توصیه میشود از ماسک تنفسی ایمنی با درجه فیلتر P2 استفاده کنید.

به قوانین و مقررات معتبر در کشور خود در رابطه با استفاده از مواد و قطعات کاری توجه کنید.

◀ **از تجمع گرد و غبار در محل کار جلوگیری کنید.** گرد و غبار می توانند به آسانی مشتعل شوند.

عملکرد

راه اندازی

◀ **به ولتاژ شبکه برق توجه کنید! ولتاژ منبع**

جریان برق باید با مقادیر موجود بر روی برچسب ابزار الکتریکی مطابقت داشته باشد. ابزارهای برقی را که با ولتاژ 230 V ولت

دستگاه ساب دو طرفه GBG 60-20

حداقل شیار	mm	1,5
وزن مطابق استاندارد EPTA-Procedure 01:2014	kg	16,5
کلاس ایمنی		I/⊕

(A) نوع عملکرد S2 (60 دقیقه) عملکرد کوتاه مدت را با حداکثر مدت عملکرد 60 دقیقه مشخص میکند. ابزار برقی را پس از این زمان خاموش کنید و اجازه دهید تا خنک شود.

مقادیر برای ولتاژ نامی [U] 230 ولت میباشند. برای ولتاژهای مختلف و تولیدات مخصوص کشورها، ممکن است این مقادیر، متفاوت باشند.

نصب

◀ **پیش از انجام هرگونه کاری بر روی ابزار الکتریکی، دوشاخه اتصال آنرا از داخل پریز برق بیرون بکشید.**

- ابزار برقی را بوسیله پیچهای متناسب واقع در میز کار/صفحه کار بر روی چهار سوراخ (7) در نظر گرفته شده، محکم کنید.

نصب حفاظ جرقه/پایه قطعه کار (رجوع کنید به تصاویر D-A)

- گیره حفاظ جرقه (10) را با هر دو پیچ نصب کنید.
- حفاظ جرقه (11) را به گیره حفاظ جرقه (10) پیچ کنید.

- پایه قطعه کار (12) را مانند تصویر نشان داده شده، نصب کنید.

◀ **بصورت مرتب فاصله بین پایه قطعه کار (12) یا گیره حفاظ جرقه (11) را برای صفحه ساب بررسی کنید و در صورت لزوم آن را تنظیم کنید. فاصله برای صفحه ساب نباید بیشتر از 2 میلیمتر باشد.** در صورت وجود فاصله زیاد، به اندازه کافی در برابر جرقه مصون نمیباشید. قطعه کار ممکن است با چرخشهای صفحه ساب به درون کشیده شود و منجر به جراثیم گردد.

◀ **ابزار برقی را فقط با حافظ جرقه (11) بکار برید و آن را حتی الامکان تا پایین برانید.** جرقه های ایجاد شده ممکن است به چشمان شما آسیب برسانند یا باعث آتش گرفتن اجسام اطراف شوند.

◀ **ابزار برقی را فقط با پایه قطعه کار بکار برید. پایه قطعه کار چپ و راست (12) را عوض نکنید.** در غیر اینصورت فاصله میان پایه قطعه کار (12) و صفحه ساب زیاد میشود. در صورت وجود فاصله زیاد، به اندازه کافی در برابر جرقه مصون نمیباشید. قطعه کار ممکن است با چرخشهای صفحه ساب به درون کشیده شود و منجر به جراثیم گردد.

تعویض صفحه ساب

◀ **میزان تحمل سرعت مجاز متعلقات باید حداقل معادل با حداکثر سرعت تعیین شده بر روی ابزار برقی باشد.** متعلقاتی که سریعتر از حد مجاز میچرخند، ممکن است بشکنند و به اطراف پرتاب شوند.

مراقبت و سرویس

مراقبت، تعمیر و تمیز کردن دستگاه

- ◀ پیش از انجام هرگونه کاری بر روی ابزار الکتریکی، دوشاخه اتصال آنرا از داخل پریز برق بیرون بکشید.
- ◀ ابزار الکتریکی و شیارهای تهویه آنرا تمیز نگاه دارید، تا ایمنی شما در کار تضمین گردد.

در صورت نیاز به یک کابل یدکی برای اتصال به شبکه برق، بایستی به شرکت **Bosch** و یا به نمایندگی مجاز **Bosch** (خدمات پس از فروش) برای ابزار آلات برقی مراجعه کنید تا از بروز خطرات ایمنی جلوگیری بعمل آید.

خدمات و مشاوره با مشتریان

خدمات مشتری، به سئوالات شما درباره تعمیرات، سرویس و همچنین قطعات یدکی پاسخ خواهد داد. نقشه‌های سه بعدی و اطلاعات مربوط به قطعات یدکی را در تارنمای زیر مییابید:

www.bosch-pt.com

گروه مشاوره به مشتریان Bosch با کمال میل به سئوالات شما درباره محصولات و متعلقات پاسخ می دهند.

برای هرگونه سؤال و یا سفارش قطعات یدکی، حتماً شماره فنی 10 رقمی کالا را مطابق برچسب روی ابزار برقی اطلاع دهید.

ایران

روبرت بوش ایران - شرکت بوش تجارت پارس
میدان ونک، خیابان شهید خدای، خیابان آفتاب
ساختمان مادیران، شماره 3، طبقه سوم.
تهران 1994834571
تلفن: 42039000 +9821

از رده خارج کردن دستگاه

ابزار برقی، متعلقات و بسته بندی آن، باید طبق مقررات حفظ محیط زیست از رده خارج و بازیافت شوند.

ابزارهای برقی را داخل زباله دان خانگی نیندازید!



مشخص شده اند، می توان تحت ولتاژ 220 V ولت نیز بکار برد.

- ◀ قبل از استفاده، ابزارهای ساب را کنترل کنید. ابزار ساب بایستی درست نصب باشد و بتواند آزادانه حرکت کند. قبل از بکارگیری، ابزار برقی را برای 1 دقیقه بدون بار امتحان کنید. از بکار بردن ابزارهای ساب آسیب دیده، ناصاف یا دارای ارتعاش خودداری کنید. ابزارهای سایش آسیب دیده ممکن است بشکنند و باعث جراحت شوند.

روشن/خاموش کردن

- جهت راه اندازی ابزار برقی، کلید روشن/خاموش (8) را در موقعیت "I" برانید.
- جهت خاموش کردن ابزار برقی، کلید روشن/خاموش (8) را در موقعیت "0" برانید.

نکات عملی

- ◀ قطعه کار را فقط به سمت ابزار برقی روشن شده برانید و آن را تنها پس از بلند کردن قطعه کار خاموش کنید. ابزار برقی ممکن است ناگهان حرکت کند.

- ◀ هرگز به صفحه ساب ابزار برقی در حال کار دست نزنید. این کار باعث بروز جراحات شدید میشود.

- ◀ از پیشبند ایمنی استفاده کنید. دقت کنید که هیچ فردی در معرض پرش جرقه قرار نگیرد باشد. اشیاء قابل اشتعال نزدیک را بردارید. هنگام سبازدن فلزات، جرقه تولید میشود.

جهت کار کردن روی قطعات کار از جنس فلز سخت، از صفحات ساب سلیکون کاربید C (متعلقات) استفاده کنید.

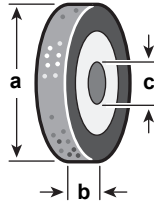
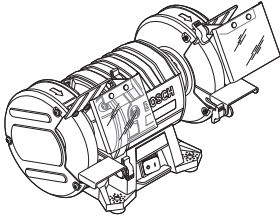
- قطعه کار ساییده شده را روی پایه قطعه کار (12) قرار دهید و آن را به آرامی به صفحه ساب فشار دهید. جهت دستیابی به نتایج بهینه در سایش، قطعه کار را کمی به عقب و جلو برانید. صفحه ساب نیز از این طریق به طور یکنواخت فرسایش مییابد.

- هر چند وقت یکبار قطعه کار را با وارد کردن در آب، خنک کنید.

حمل و نقل

- کلیه قطعات و متعلقاتی را که نمیتوان بطور ثابت روی ابزار برقی نصب کرد را بردارید.
- کابل دستگاه را کامل کلاف کنید و آن را ببندید.
- ابزار برقی را جهت حمل و نقل و بلند کردن، از پایین و از طرفین قابهای محافظ (6) بگیرید. در محدوده سوراخهای محل نصب دستگاه (7) میتوان از ابزار برقی محافظت نمود.

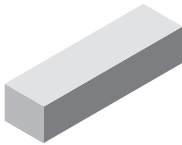
- ◀ هرگز هنگام حمل و نقل ابزار برقی، از حفاظ جرقه (11) یا پایه قطعه کار (12) استفاده نکنید.



a	b	c
200 x 25 x 32 mm		
200 x 25 x 32 mm		
200 x 25 x 32 mm		

A 36
A 60
C 46

2 608 600 111
2 608 600 112
2 608 600 106



20 x 25 x 32 mm

1 607 929 000