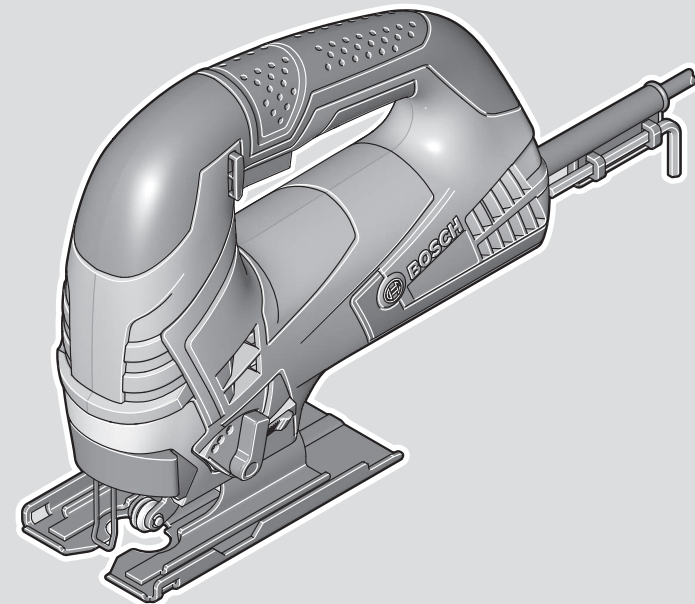




GST 90 BE Professional

HEAVY
DUTY



Robert Bosch Power Tools GmbH
70538 Stuttgart
GERMANY

www.bosch-pt.com

1 609 92A 5PZ (2020.04) T / 71

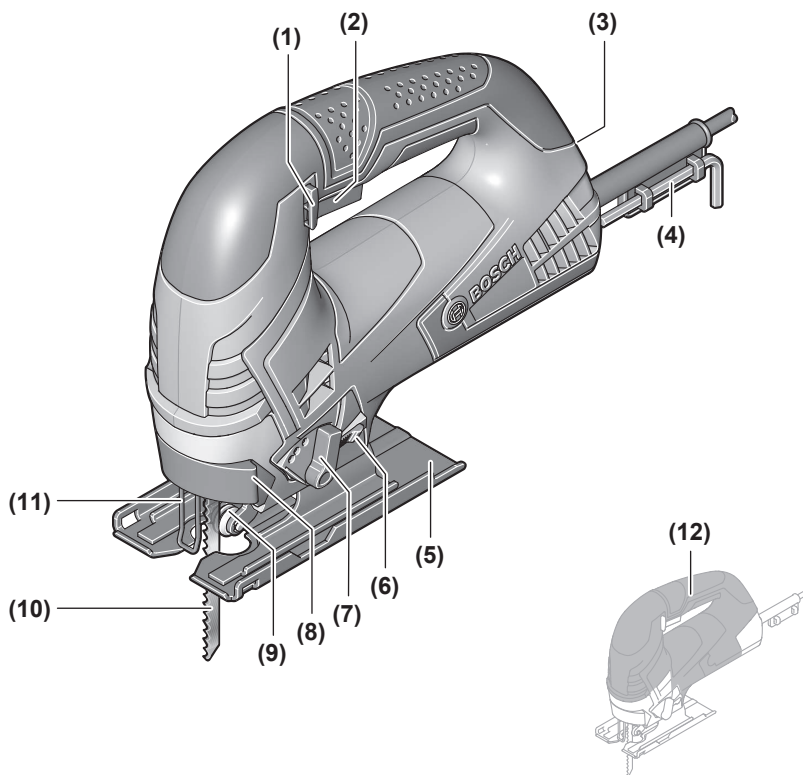


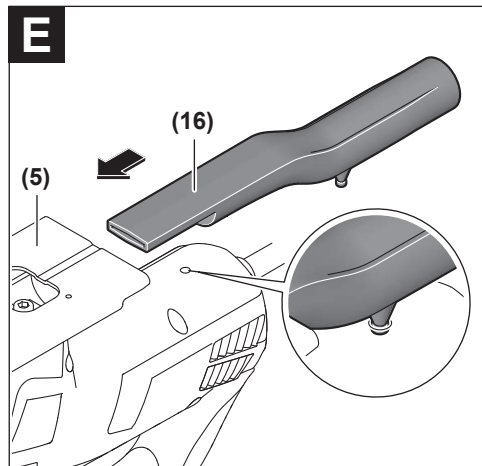
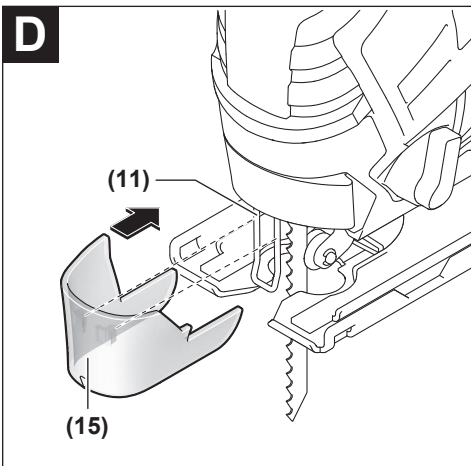
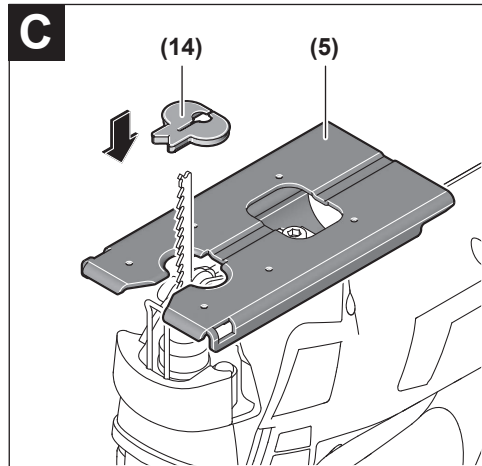
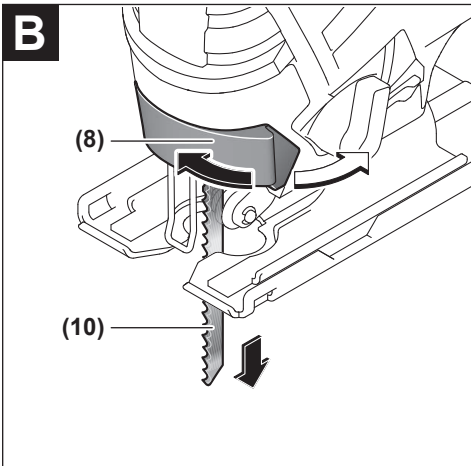
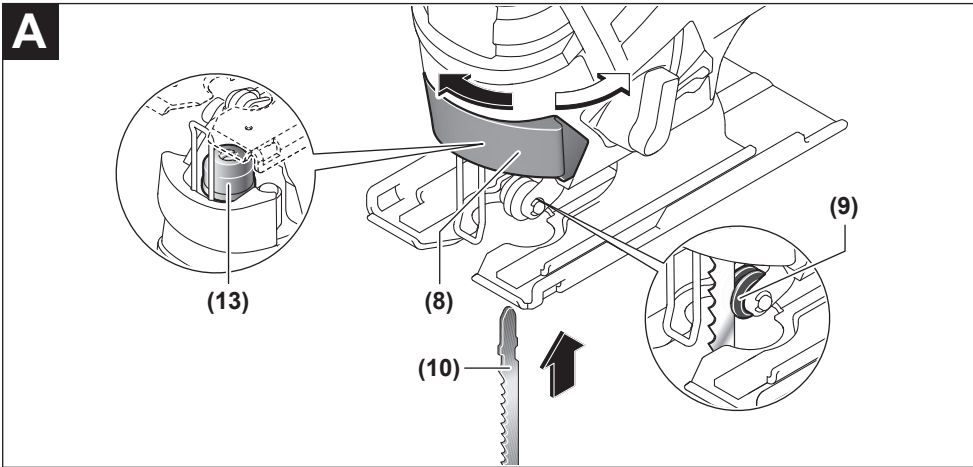
1 609 92A 5PZ

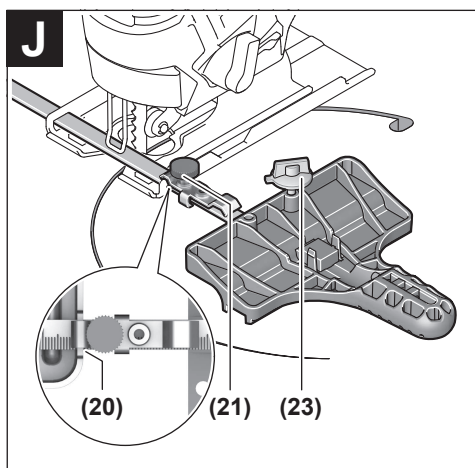
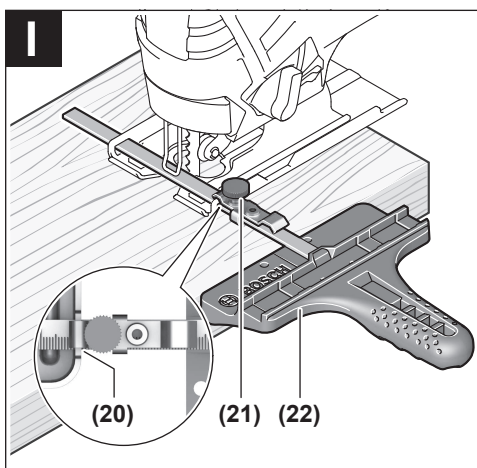
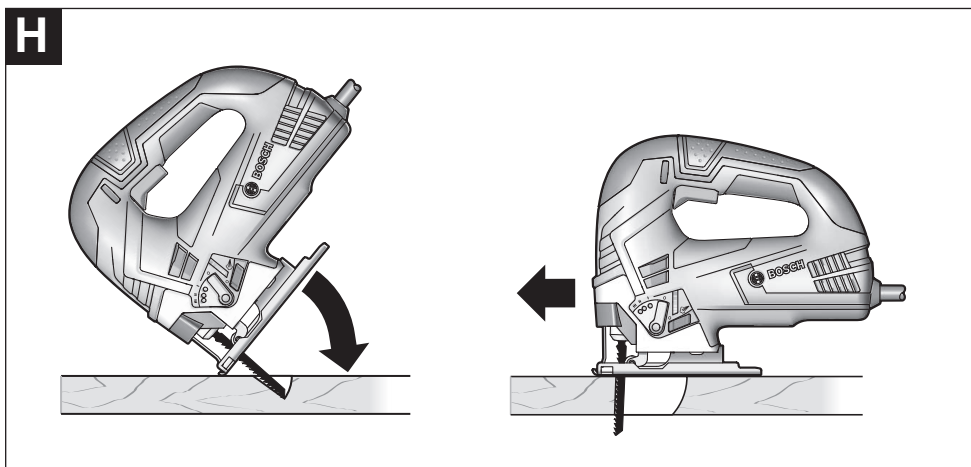
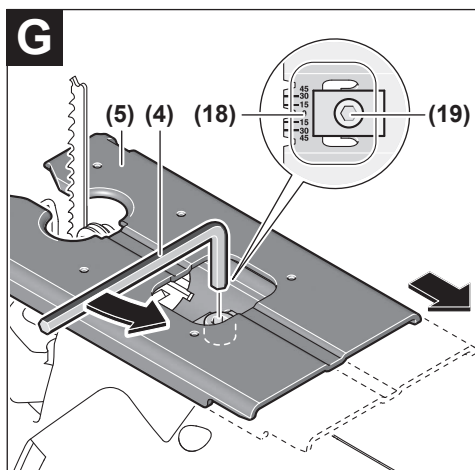
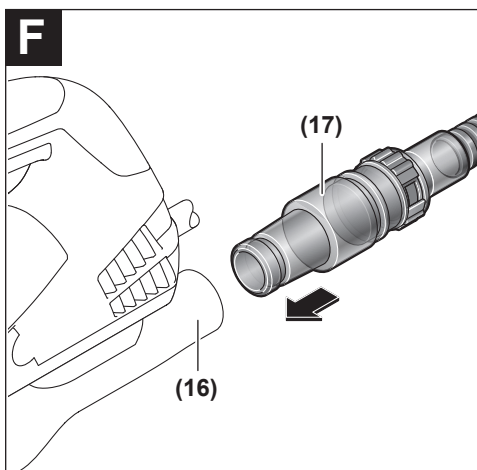
- en Original instructions
- fr Notice originale
- pt Manual original
- zh 正本使用说明书
- zh 原始使用說明書
- th หนังสือคู่มือการใช้งานฉบับต้นแบบ
- id Petunjuk-Petunjuk untuk Penggunaan Orisinal
- vi Bản gốc hướng dẫn sử dụng
- ar دليل التشغيل الأصلي
- fa دفترچه راهنمای اصلی



English	Page	6
Français	Page	13
Português	Página	19
中文	頁	25
繁體中文	頁	30
ไทย	หน้า	34
Bahasa Indonesia	Halaman	40
Tiếng Việt	Trang	46
عربي	الصفحة	52
فارسی	صفحه	59







English

Safety instructions

General Power Tool Safety Warnings

⚠ WARNING Read all safety warnings, instructions, illustrations and specifications provided with this power tool. Failure to follow all instructions listed below may result in electric shock, fire and/or serious injury.

Save all warnings and instructions for future reference.

The term "power tool" in the warnings refers to your mains-operated (corded) power tool or battery-operated (cordless) power tool.

Work area safety

- ▶ **Keep work area clean and well lit.** Cluttered or dark areas invite accidents.
- ▶ **Do not operate power tools in explosive atmospheres, such as in the presence of flammable liquids, gases or dust.** Power tools create sparks which may ignite the dust or fumes.
- ▶ **Keep children and bystanders away while operating a power tool.** Distractions can cause you to lose control.

Electrical safety

- ▶ **Power tool plugs must match the outlet. Never modify the plug in any way. Do not use any adapter plugs with earthed (grounded) power tools.** Unmodified plugs and matching outlets will reduce risk of electric shock.
- ▶ **Avoid body contact with earthed or grounded surfaces, such as pipes, radiators, ranges and refrigerators.** There is an increased risk of electric shock if your body is earthed or grounded.
- ▶ **Do not expose power tools to rain or wet conditions.** Water entering a power tool will increase the risk of electric shock.
- ▶ **Do not abuse the cord. Never use the cord for carrying, pulling or unplugging the power tool. Keep cord away from heat, oil, sharp edges or moving parts.** Damaged or entangled cords increase the risk of electric shock.
- ▶ **When operating a power tool outdoors, use an extension cord suitable for outdoor use.** Use of a cord suitable for outdoor use reduces the risk of electric shock.
- ▶ **If operating a power tool in a damp location is unavoidable, use a residual current device (RCD) protected supply.** Use of an RCD reduces the risk of electric shock.

Personal safety

- ▶ **Stay alert, watch what you are doing and use common sense when operating a power tool. Do not use a power tool while you are tired or under the influence of drugs, alcohol or medication.** A moment of inatten-

tion while operating power tools may result in serious personal injury.

- ▶ **Use personal protective equipment. Always wear eye protection.** Protective equipment such as a dust mask, non-skid safety shoes, hard hat or hearing protection used for appropriate conditions will reduce personal injuries.
- ▶ **Prevent unintentional starting. Ensure the switch is in the off-position before connecting to power source and/or battery pack, picking up or carrying the tool.** Carrying power tools with your finger on the switch or energising power tools that have the switch on invites accidents.
- ▶ **Remove any adjusting key or wrench before turning the power tool on.** A wrench or a key left attached to a rotating part of the power tool may result in personal injury.
- ▶ **Do not overreach. Keep proper footing and balance at all times.** This enables better control of the power tool in unexpected situations.
- ▶ **Dress properly. Do not wear loose clothing or jewellery. Keep your hair and clothing away from moving parts.** Loose clothes, jewellery or long hair can be caught in moving parts.
- ▶ **If devices are provided for the connection of dust extraction and collection facilities, ensure these are connected and properly used.** Use of dust collection can reduce dust-related hazards.
- ▶ **Do not let familiarity gained from frequent use of tools allow you to become complacent and ignore tool safety principles.** A careless action can cause severe injury within a fraction of a second.

Power tool use and care

- ▶ **Do not force the power tool. Use the correct power tool for your application.** The correct power tool will do the job better and safer at the rate for which it was designed.
- ▶ **Do not use the power tool if the switch does not turn it on and off.** Any power tool that cannot be controlled with the switch is dangerous and must be repaired.
- ▶ **Disconnect the plug from the power source and/or remove the battery pack, if detachable, from the power tool before making any adjustments, changing accessories, or storing power tools.** Such preventive safety measures reduce the risk of starting the power tool accidentally.
- ▶ **Store idle power tools out of the reach of children and do not allow persons unfamiliar with the power tool or these instructions to operate the power tool.** Power tools are dangerous in the hands of untrained users.
- ▶ **Maintain power tools and accessories. Check for misalignment or binding of moving parts, breakage of parts and any other condition that may affect the power tool's operation. If damaged, have the power tool repaired before use.** Many accidents are caused by poorly maintained power tools.

- ▶ **Keep cutting tools sharp and clean.** Properly maintained cutting tools with sharp cutting edges are less likely to bind and are easier to control.
- ▶ **Use the power tool, accessories and tool bits etc. in accordance with these instructions, taking into account the working conditions and the work to be performed.** Use of the power tool for operations different from those intended could result in a hazardous situation.
- ▶ **Keep handles and grasping surfaces dry, clean and free from oil and grease.** Slippery handles and grasping surfaces do not allow for safe handling and control of the tool in unexpected situations.

Service

- ▶ **Have your power tool serviced by a qualified repair person using only identical replacement parts.** This will ensure that the safety of the power tool is maintained.

Safety instructions for jigsaws

- ▶ **Hold the power tool by insulated gripping surfaces, when performing an operation where the cutting accessory may contact hidden wiring or its own cord.** Cutting accessory contacting a "live" wire may make exposed metal parts of the power tool "live" and could give the operator an electric shock.
- ▶ **Use clamps or another practical way to secure and support the workpiece to a stable platform.** Holding the workpiece by hand or against your body leaves it unstable and may lead to loss of control.
- ▶ **Keep hands away from the sawing area. Do not reach under the workpiece.** Contact with the saw blade can lead to injuries.
- ▶ **Only bring the power tool into contact with the workpiece when switched on.** Otherwise there is danger of kickback if the cutting tool jams in the workpiece.
- ▶ **Ensure that the footplate always rests securely while sawing.** A jammed saw blade can break or lead to kickback.
- ▶ **When the cut is completed, switch off the power tool and then pull the saw blade out of the cut only after it has come to a standstill.** In this manner you can avoid kickback and can place down the power tool securely.
- ▶ **Always wait until the power tool has come to a complete stop before placing it down.** The application tool can jam and cause you to lose control of the power tool.
- ▶ **Use only undamaged saw blades that are in perfect condition.** Bent or dull saw blades can break, negatively influence the cut, or lead to kickback.
- ▶ **Do not brake the saw blade to a stop by applying side pressure after switching off.** The saw blade can be damaged, break or cause kickback.
- ▶ **Use suitable detectors to determine if utility lines are hidden in the work area or call the local utility company for assistance.** Contact with electric lines can lead to fire and electric shock. Damaging a gas line can lead to explosion. Penetrating a water line causes property damage or may cause an electric shock.

Products sold in GB only:

Your product is fitted with an BS 1363/A approved electric plug with internal fuse (ASTA approved to BS 1362).

If the plug is not suitable for your socket outlets, it should be cut off and an appropriate plug fitted in its place by an authorised customer service agent. The replacement plug should have the same fuse rating as the original plug.

The severed plug must be disposed of to avoid a possible shock hazard and should never be inserted into a mains socket elsewhere.

Product Description and Specifications



Read all the safety and general instructions.

Failure to observe the safety and general instructions may result in electric shock, fire and/or serious injury.

Please observe the illustrations at the beginning of this operating manual.

Intended Use

The power tool is intended for making separating cuts and cut-outs in wood, plastic, metal, ceramic plates and rubber while resting firmly on the workpiece. It is suitable for straight and curved cuts with mitre/bevel angles of up to 45°. Note the saw blade recommendations.

Product Features

The numbering of the product features refers to the diagram of the power tool on the graphics page.

- (1) On/off switch locking mechanism
- (2) On/off switch
- (3) Stroke rate preselection thumbwheel
- (4) Hex key
- (5) Base plate
- (6) Sawdust blower device switch
- (7) Pendulum action adjusting lever
- (8) SDS lever for saw blade release
- (9) Guide roller
- (10) Saw blade^{A)}
- (11) Shock protection guard
- (12) Handle (insulated gripping surface)
- (13) Saw blade receptacle
- (14) Anti-splinter guard^{A)}
- (15) Hood for dust extraction
- (16) Extraction outlet
- (17) Extraction hose^{A)}
- (18) Scale for mitre/bevel angles
- (19) Base plate screw
- (20) Guide for parallel guide


(21) Locking screw for parallel guide^{A)}

(22) Parallel guide with circle cutter^{A)}

(23) Circle cutter centring tip^{A)}

A) **Accessories shown or described are not included with the product as standard. You can find the complete selection of accessories in our accessories range.**

Technical Data

Jigsaw	GST 90 BE	
Article number		3 601 E8F 0..
Stroke rate control		●
Rated power input	W	650
No-load stroke rate n_0	min ⁻¹	500–3100
Stroke	mm	26
Max. cutting depth		
– In wood	mm	90
– In aluminium	mm	20
– In steel (unalloyed)	mm	10
Max. cutting angle (left/right)	°	45
Weight according to EPTA-Procedure 01:2014	kg	2.6
Protection class		

The specifications apply to a rated voltage [U] of 230 V. These specifications may vary at different voltages and in country-specific models.

Assembly

► **Pull the plug out of the socket before carrying out any work on the power tool.**

Inserting/changing the saw blade

► **When fitting or changing the saw blade, wear protective gloves.** Blades are sharp and can become hot when used for prolonged periods of time.

Selecting the saw blade

You will find an overview of recommended saw blades at the end of these operating instructions. Only use saw blades with single lug shank (T shank). The saw blade should not be longer than required for the intended cut.

Use a narrow saw blade when sawing tight curves.

Inserting the saw blade (see figure A)

► **Clean the shaft on the saw blade before inserting it.**

A dirty shaft cannot be securely fixed in place.

Press the SDS lever (8) forward to the stop and hold it down. Push the saw blade (10), with the teeth in the cutting direction, into the saw blade receptacle (13) until it clicks into place.

Make sure when inserting the saw blade that the back of the saw blade is in the groove on the guide roller (9).

► **Check that the saw blade is seated securely.** A loose saw blade can fall out and lead to injuries.

Removing the saw blade (see figure B)

Push the SDS lever (8) all the way forwards and remove the saw blade (10).

Anti-splinter guard (see figure C)

The anti-splinter guard (14) (accessory) can prevent splintering of the surface while sawing wood. The anti-splinter guard can only be used with certain saw blade types and only at a cutting angle of 0°. When sawing with the anti-splinter guard, the base plate (5) must not be moved to the rear for sawing close to edges.

Push the anti-splinter guard (14) into the base plate (5) from below.

Dust/Chip Extraction

The dust from materials such as lead paint, some types of wood, minerals and metal can be harmful to human health. Touching or breathing in this dust can trigger allergic reactions and/or cause respiratory illnesses in the user or in people in the near vicinity.

Certain dusts, such as oak or beech dust, are classified as carcinogenic, especially in conjunction with wood treatment additives (chromate, wood preservative). Materials containing asbestos may only be machined by specialists.

- Use a dust extraction system that is suitable for the material wherever possible.
- Provide good ventilation at the workplace.
- It is advisable to wear a P2 filter class breathing mask.

The regulations on the material being machined that apply in the country of use must be observed.

► **Avoid dust accumulation at the workplace.** Dust can easily ignite.

Hood (see figure D)

Fit the hood (15) before you connect the power tool to the dust extraction system.

Attach the hood (15) to the power tool so that the bracket locks into place on the shock protection guard (11).

Remove the hood (15) when working without a dust extraction system and for mitre/bevel cuts. To do this, pull the hood forwards off the shock protection guard (11).

Connecting the dust extraction (see figures E-F)

Fit the extraction outlet (16) in the recesses of the base plate (5).

Ensure that the cam on the extraction outlet slots into the corresponding recess in the power tool as shown in the figure E.

Connect a dust extraction hose (17) (accessory) to the extraction outlet (16). Connect the dust extraction hose (17) to a dust extractor (accessory).

You will find an overview of connecting to various dust extractors at the end of these operating instructions.

For optimum dust extraction, where possible use the anti-splinter guard (14).

Switch off the sawdust blower device when you have connected the dust extraction system.

The dust extractor must be suitable for the material being worked.

When extracting dry dust that is especially detrimental to health or carcinogenic, use a special dust extractor.

Operation

- **Products that are only sold in AUS and NZ:** Use a residual current device (RCD) with a nominal residual current of 30 mA or less.

Operating modes

- **Pull the plug out of the socket before carrying out any work on the power tool.**

Pendulum action settings

The pendulum action can be adjusted using four different settings, allowing the cutting speed, cutting capacity and the cut itself to be optimally adapted to the material that you want to cut.

You can also adjust the pendulum action during operation using the adjusting lever (7).

Level 0	No pendulum action
Level I	Low pendulum action
Level II	Moderate pendulum action
Level III	High pendulum action

The optimum pendulum level for each application can be determined by a practical test. Note the following recommendations:

- Select a lower pendulum level or switch off the pendulum action completely if you wish to produce a finer or cleaner cutting edge.
- Switch off the pendulum action when machining thin materials (e.g. sheets).
- Work on hard materials (e.g. steel) with low pendulum action.
- You can work on soft materials and saw wood in the direction of the grain using maximum pendulum action.

Adjusting the mitre/bevel angle (see figure G)

The base plate (5) can be swivelled to the right or left to make mitre cuts up to 45°.

The hood (15), the extraction outlet (16) and the anti-splinter guard (14) cannot be used while mitre/bevel cuts are being made.

- Push the extraction outlet (16) downwards slightly and pull it out of the base plate (5).
- Remove the hood (15) and the anti-splinter guard (14).
- Undo the screw (19) using the hex key (4) and push the base plate (5) slightly towards the mains cable.
- The base plate has lock-in points at 0° and 45° on the left and right so that precise mitre/bevel angles can be set. Swivel the base plate (5) to the required position accord-

ing to the scale (18). Other mitre/bevel angles can be adjusted using a protractor.

- Then push the base plate (5) towards the saw blade (10) as far as it will go.
- Retighten the screw (19).

Moving the base plate (see figure G)

You can move the base plate (5) back for sawing close to edges.

Loosen the screw (19) and push the base plate (5) towards the mains cable as far as it will go.

Retighten the screw (19).

Sawing with an offset base plate (5) is only possible with a mitre/bevel angle of 0°. In addition, the parallel guide with circle cutter (22) (accessory) as well as the anti-splinter guard (14) must not be used.

Sawdust blower device

The cutting line can be kept clear of chips using the airflow from the sawdust blower device.



- 0 To switch on the sawdust blower device: When working with high material removal in wood, plastic and other similar materials, push the switch (6) towards the extraction outlet.



- 0 To switch off the sawdust blower device: When working in metal and with a dust extraction system connected, push the switch (6) towards the saw blade.

Starting Operation

- **Pay attention to the mains voltage. The voltage of the power source must match the voltage specified on the rating plate of the power tool. Power tools marked with 230 V can also be operated with 220 V.**

Switching on/off

- **Make sure that you are able to press the On/Off switch without releasing the handle.**

To **switch on** the power tool, press the on/off switch (2).

To **lock** the on/off switch (2), keep it pressed down and push the locking mechanism (1) to the right or left.

To **switch off** the power tool, release the on/off switch (2). If the on/off switch (2) is locked, press the switch first and then release it.

Controlling/preselecting the stroke rate

You can variably adjust the stroke rate of the power tool when it is on by pressing in the on/off switch (2) to varying extents.

Applying light pressure to the on/off switch (2) results in a low stroke rate. Applying increasing pressure to the switch increases the stroke rate.

It is not possible to reduce the stroke rate while the on/off switch (2) is locked.

You can also preselect the stroke rate and change it during operation using the stroke rate preselection thumbwheel **(3)**.

The required stroke rate is dependent on the material and the work conditions and can be determined using practical tests.

It is recommended that you reduce the stroke rate when placing the saw blade on the workpiece and when sawing plastic and aluminium.

During prolonged periods of use at a low stroke rate, the power tool may heat up significantly. Remove the saw blade and let the power tool run at the maximum stroke rate for around three minutes to cool down.

Working Advice

- ▶ **Pull the plug out of the socket before carrying out any work on the power tool.**
- ▶ **Switch the power tool off immediately if the saw blade becomes blocked.**
- ▶ **When machining small or thin workpieces, always use a stable base or saw table (accessory).**

Before sawing into wood, chipboard, building materials, etc., check for and remove any foreign objects such as nails, screws, etc.

Plunge cutting (see figure H)

- ▶ **Plunge cuts may only be applied to soft materials, such as wood, gypsum board, etc.**

For plunge cutting, use only short saw blades. Plunge cutting is possible only with a mitre angle of 0°.

Place the power tool so that the front edge of the base plate **(5)** rests on the workpiece, without the saw blade **(10)** touching the workpiece, and switch it on. On power tools with stroke rate control, select the maximum stroke rate. Press the power tool firmly against the workpiece and allow the saw blade to plunge slowly into the workpiece.

As soon as the base plate **(5)** rests fully on the workpiece, continue sawing along the required cutting line.

Parallel guide with circle cutter (accessory)

When working with the parallel guide with circle cutter **(22)** (accessory), the workpiece must be no more than 30 mm thick.

Parallel cuts (see figure I): Loosen the locking screw **(21)** and slide the scale on the parallel guide through the guide **(20)** in the base plate. Adjust the desired cutting width as a scale value on the inside edge of the base plate. Retighten the locking screw **(21)**.

Circular cuts (see figure J): Drill a hole large enough to push the saw blade through on the cutting line within the circle to be cut. Machine the drill hole with a router or file so that the saw blade can lie flush with the cutting line.

Position the locking screw **(21)** on the other side of the parallel guide. Slide the scale on the parallel guide through the guide **(20)** into the base plate. Drill a hole in the workpiece in the middle of the section to be cut out. Insert the centring tip **(23)** through the inner opening of the parallel guide and into the drilled hole. Adjust the radius as a scale value on the

inside edge of the base plate. Retighten the locking screw **(21)**.

Coolant/lubricant

As the material heats up along the cutting line when cutting metal, you should apply coolant or lubricant.

Maintenance and Service

Maintenance and Cleaning

- ▶ **Pull the plug out of the socket before carrying out any work on the power tool.**
- ▶ **To ensure safe and efficient operation, always keep the power tool and the ventilation slots clean.**

In order to avoid safety hazards, if the power supply cord needs to be replaced, this must be done by **Bosch** or by an after-sales service centre that is authorised to repair **Bosch** power tools.

Clean the saw blade receptacle regularly. For this, remove the saw blade from the power tool and lightly tap out the power tool on a level surface.

If the power tool becomes very dirty, this can lead to serious faults. For this reason, do not cut materials which generate large quantities of dust from below or overhead.

- ▶ **In extreme conditions, always use a dust extractor if possible. Blow out ventilation slots frequently and install a residual current device (RCD) upstream.** When machining metals, conductive dust can settle inside the power tool, which can affect its protective insulation.

If the dust outlet becomes blocked, switch off the power tool, disconnect the dust extraction system and remove the dust and chips.

Apply a drop of oil to the guide roller **(9)** from time to time.

Check the guide roller **(9)** regularly. If worn, it must be replaced through an authorised **Bosch** after-sales service centre.

After-Sales Service and Application Service

Our after-sales service responds to your questions concerning maintenance and repair of your product as well as spare parts. You can find explosion drawings and information on spare parts at: www.bosch-pt.com

The Bosch product use advice team will be happy to help you with any questions about our products and their accessories.

In all correspondence and spare parts orders, please always include the 10-digit article number given on the nameplate of the product.

Cambodia

Robert Bosch (Cambodia) Co., Ltd
Unit 8BC, GT Tower, 08th Floor, Street 169,
Czechoslovakia Blvd, Sangkat Veal Vong
Khan 7 Makara, Phnom Penh
VAT TIN: 100 169 511
Tel.: +855 23 900 685

Tel.: +852 23 900 660
www.bosch.com.kh

People's Republic of China China Mainland

Bosch Power Tool (China) Co. Ltd.
Bosch Service Center
567, Bin Kang Road
Bin Kang District
Hangzhou, Zhejiang Province
China 310052
Tel.: (0571) 8887 5566 / 5588
Fax: (0571) 8887 6688 x 5566# / 5588#
E-Mail: bsc.hz@cn.bosch.com
www.bosch-pt.com.cn

HK and Macau Special Administrative Regions

Robert Bosch Co. Ltd.
21st Floor, 625 King's Road
North Point, Hong Kong
Customer Service Hotline: +852 2101 0235
Fax: +852 2590 9762
E-Mail: info@hk.bosch.com
www.bosch-pt.com.hk

India

Bosch Service Center
69, Habibullah Road, (Next to PSBB School), T. Nagar
Chennai – 600077
Phone: (044) 64561816

Bosch Service Center
18, Community Center
Phase 1, Mayapuri
New Delhi – 110064
Phone: (011) 43166190

Bosch Service Center
Shop no 7&8, Aspen garden
Walbhat road , Goregaon (E)
Near to Ram Mandir Railway Station
Mumbai – 400063
Mobile: 09819952950

Indonesia

PT Robert Bosch
Palma Tower 10th Floor
Jalan RA Kartini II-S Kaveling 6
Pondok Pinang, Kebayoran Lama
Jakarta Selatan 12310
Tel.: (21) 3005-5800
www.bosch-pt.co.id

Malaysia

Robert Bosch Sdn. Bhd.(220975-V) PT/SMY
No. 8A, Jalan 13/6
46200 Petaling Jaya
Selangor
Tel.: (03) 79663194
Toll-Free: 1800 880188
Fax: (03) 79583838
E-Mail: kiathoe.chong@my.bosch.com
www.bosch-pt.com.my

Pakistan

Robert Bosch Middle East FZE – Pakistan Liaison Office
2nd Floor Plaza # 10, CCA Block, DHA Phase 5
Lahore, 54810
Phone: +92(303)4444311
Email: Faisal.Khan@bosch.com

Philippines

Robert Bosch, Inc.
11th Floor Ten West Campus
20 LeGrand Ave., McKinley West
Fort Bonifacio, Taguig City 1634
Tel.: (+632) 8703871
www.bosch-pt.com.ph

Singapore

Powerwell Service Centre Ptd Ltd
Bosch Authorised Service Centre (Power Tools)
4012 Ang Mo Kio Ave 10, #01-02 TECHplace
Singapore 569628
Tel.: 6452 1770
Fax: 6452 1760
E-Mail: ask@powerwellsc.com
www.powerwellsc.com
www.bosch-pt.com.sg

Thailand

Robert Bosch Ltd.
FYI Center Tower 1, 5th Floor,
2525 Rama IV Road, Klongtoei,
Bangkok 10110
Tel.: 02 0128888
Fax: 02 0645802
www.bosch.co.th

Bosch Service – Training Centre
La Salle Tower Ground Floor Unit No.2
10/11 La Salle Moo 16
Srinakharin Road
Bangkaew, Bang Plee
Samutprakarn 10540
Tel.: 02 7587555
Fax: 02 7587525

Vietnam

Branch of Bosch Vietnam Co., Ltd in HCMC
14th floor, Deutsches Haus, 33 Le Duan
Ben Nghe Ward, District 1, Ho Chi Minh City
Tel.: (028) 6258 3690
Fax: (028) 6258 3692 - 6258 3694
Hotline: (028) 6250 8555
Email: tuvankhachhang-pt@vn.bosch.com
www.bosch-pt.com.vn

Bahrain

EA Juffali and Brothers for Technical Equipment Company.
Kingdom of Bahrain, Al Aker - Block 0624 - Road 2403 -
Building 0055D
Phone: +97317704537
Fax: +973177045257
Email: h.berjas@ejab.com.sa

Egypt

RBEG-LLC
22 Kamal Eldin Hussein
Sheraton Heliopolis
11799 Cairo
E-mail: boschegypt.powertools@eg.bosch.com

Iran

Robert Bosch Iran
3rd Floor, No 3, Maadiran Building
Aftab St., Khodami St., Vanak Sq.
Tehran 1994834571
Phone: +9821- 86092057

Iraq

Sahba Technology Group
Al Muthana airport road
Baghdad
Phone Bagdad: +964 (0) 7 901 930366
Phone Dubai: +971 (0) 4 422 1898
Email: duraid@sahbatechnology.com

Jordan

Roots Arabia – Jordan
Al-Hurriyah Street, Al-Muqabalein
Amman 11623, Jordan
P.O. Box: 110068
Tel. : +962 6 4398990
E-mail: bosch@rootsjordan.com

Kuwait

Shuwaikh Industrial Area, Block 1, Plot 16, Street 3rd
P.O. Box 164 – Safat 13002
Phone: +965 - 2496 88 88
Fax: +965 - 2481 08 79
E-mail: josephkr@aaalmutawa.com

Lebanon

Tehini Hana & Co. S.A.R.L.
P.O. Box 90-449
Jdeideh 1202 2040
Dora-Beirut
Phone: +9611255211
Email: service-pt@tehini-hana.com

Libya

El Naser for Workshop Tools
Swanee Road, Alfalah Area
Tripoli
Phone: +218 21 4811184

Oman

Malatan Trading & Contracting LLC
P.O. Box 131, Ruwi, Muscat
Postal Code: 112, Sultanate of Oman
Phone: +968 2479 4035/4089/4901
Mob: +968-91315465
Fax: +968 2479 4058
E-Mail: sudhirkumar@malatan.net

Qatar

International Construction Solutions W L L
P. O. Box 51, Doha
Phone: +974 40065458

Fax: +974 4453 8585
Email: csd@icsdoha.com

Saudi Arabia

Juffali Technical Equipment Co. (JTECO)
P.O.Box: 1049 – Jeddah 21431 – KSA
Jeddah: 00966 (0) 12 692 0770 – Ext 433
Riyadh: 00966 (0) 11 409 3976 – Ext-30/34/39
Dammam: 00966 (0) 13 833 9565
E-mail: M.Zreik@eajb.com.sa

Syria

Dallal Establishment for Power Tools
Damascus. Baramkeh street - lbn Amer street,
Phone: +963112241006 or 009631122414009
Mobile: 00963991141005
Email: rita.dallal@hotmail.com

United Arab Emirates

Central Motors & Equipment,
P.O. Box 26255, Dubai
Dubai: 00971 (0) 4 3090920/3090930
Abu Dhabi: 00971 (0) 2 4017745
Sharjah: 00971 (0) 6 5932777
Al Ain: 00971 (0) 3 7157419
E-Mail: Mallappa.Madari@centralmotors.ae

Yemen

Abu Alrejal Trading Corporation
P.O. Box : 17024 , Zubeiry St.
Sana'a, Yemen
Tel: +967-1-20 20 10
Fax: +967-1-47 19 17
E-mail: tech-tools@abualrejal.com/yahya@abualrejal.com

Ethiopia

Forever plc
Kebele 2,754, BP 4806,
Addis Ababa
Phone: +251 111 560 600
Email: foreverplc@ethionet.et

Ghana

Robert Bosch Ghana Limited
21 Kofi Annan Road Airport Residential Area Accra
Tel. +233 (0)3027 94616

Kenya

Robert Bosch East Africa Ltd
Mpaka Road P.O. Box 856
00606 Nairobi

Nigeria

Robert Bosch Nigeria Ltd.
52–54 Isaac John Street P.O. Box
GRA Ikeja – Lagos

Tanzania

Diesel & Autoelectric Service Ltd.
117 Nyerere Rd., P.O. Box 70839
Vingunguti 12109, Dar Es Salaam
Phone: +255 222 861 793/794

Australia, New Zealand and Pacific Islands

Robert Bosch Australia Pty. Ltd.

Power Tools

Locked Bag 66

Clayton South VIC 3169

Customer Contact Center

Inside Australia:

Phone: (01300) 307044

Fax: (01300) 307045

Inside New Zealand:

Phone: (0800) 543353

Fax: (0800) 428570

Outside AU and NZ:

Phone: +61 3 95415555

www.bosch-pt.com.au

www.bosch-pt.co.nz

Myanmar

Asia Era Company Limited

No. (40/44), Parami Road, 4th Quarter, South Okkalapa Tsp,
Yangon, Myanmar

Republic of South Africa**Customer service**

Hotline: (011) 6519600

Gauteng – BSC Service Centre

35 Roper Street, New Centre

Johannesburg

Tel.: (011) 4939375

Fax: (011) 4930126

E-Mail: bsctools@icon.co.za

KZN – BSC Service Centre

Unit E, Almar Centre

143 Crompton Street

Pinetown

Tel.: (031) 7012120

Fax: (031) 7012446

E-Mail: bsc.dur@za.bosch.com

Western Cape – BSC Service Centre

Democracy Way, Prosperity Park

Milnerton

Tel.: (021) 5512577

Fax: (021) 5513223

E-Mail: bsc@zsd.co.za

Bosch Headquarters

Midrand, Gauteng

Tel.: (011) 6519600

Fax: (011) 6519880

E-Mail: rbsa-hq.pts@za.bosch.com

Armenia, Azerbaijan, Georgia

Robert Bosch Ltd.

David Agmashenebeli ave. 61

0102 Tbilisi, Georgia

Tel. +995322510073

www.bosch.com

Kyrgyzstan, Mongolia, Tajikistan, Turkmenistan, Uzbekistan

TOO "Robert Bosch" Power Tools, After Sales Service

Muratbaev Ave., 180

050012, Almaty, Kazakhstan

Service Email: service.pt.ka@bosch.com

Official Website: www.bosch.com, www.bosch-pt.com

Disposal

The power tool, accessories and packaging should be recycled in an environmentally friendly manner.



Do not dispose of power tools along with household waste.

Français**Consignes de sécurité****Avertissements de sécurité généraux pour l'outil électrique****AVERTISSEMENT**

Lire tous les avertissements de sécurité, les instructions, les illustrations et les spécifications fournis

avec cet outil électrique. Ne pas suivre les instructions énumérées ci-dessous peut provoquer un choc électrique, un incendie et/ou une blessure sérieuse.

Conserver tous les avertissements et toutes les instructions pour pouvoir s'y reporter ultérieurement.

Le terme "outil électrique" dans les avertissements fait référence à votre outil électrique alimenté par le secteur (avec cordon d'alimentation) ou votre outil électrique fonctionnant sur batterie (sans cordon d'alimentation).

Sécurité de la zone de travail**► Conserver la zone de travail propre et bien éclairée.**

Les zones en désordre ou sombres sont propices aux accidents.

► Ne pas faire fonctionner les outils électriques en atmosphère explosive, par exemple en présence de liquides inflammables, de gaz ou de poussières. Les outils électriques produisent des étincelles qui peuvent enflammer les poussières ou les fumées.**► Maintenir les enfants et les personnes présentes à l'écart pendant l'utilisation de l'outil électrique.** Les distractions peuvent vous faire perdre le contrôle de l'outil.**Sécurité électrique****► Il faut que les fiches de l'outil électrique soient adaptées au socle. Ne jamais modifier la fiche de quelque façon que ce soit. Ne pas utiliser d'adaptateurs avec des outils électriques à branchement de terre.** Des

fiches non modifiées et des socles adaptés réduisent le risque de choc électrique.

- ▶ **Éviter tout contact du corps avec des surfaces reliées à la terre telles que les tuyaux, les radiateurs, les cuisinières et les réfrigérateurs.** Il existe un risque accru de choc électrique si votre corps est relié à la terre.
- ▶ **Ne pas exposer les outils électriques à la pluie ou à des conditions humides.** La pénétration d'eau à l'intérieur d'un outil électrique augmente le risque de choc électrique.
- ▶ **Ne pas maltraiter le cordon. Ne jamais utiliser le cordon pour porter, tirer ou débrancher l'outil électrique. Maintenir le cordon à l'écart de la chaleur, du lubrifiant, des arêtes vives ou des parties en mouvement.** Des cordons endommagés ou emmêlés augmentent le risque de choc électrique.
- ▶ **Lorsqu'on utilise un outil électrique à l'extérieur, utiliser un prolongateur adapté à l'utilisation extérieure.** L'utilisation d'un cordon adapté à l'utilisation extérieure réduit le risque de choc électrique.
- ▶ **Si l'usage d'un outil électrique dans un emplacement humide est inévitable, utiliser une alimentation protégée par un dispositif à courant différentiel résiduel (RCD).** L'usage d'un RCD réduit le risque de choc électrique.

Sécurité des personnes

- ▶ **Rester vigilant, regarder ce que vous êtes en train de faire et faire preuve de bon sens dans votre utilisation de l'outil électrique. Ne pas utiliser un outil électrique lorsque vous êtes fatigué ou sous l'emprise de drogues, de l'alcool ou de médicaments.** Un moment d'inattention en cours d'utilisation d'un outil électrique peut entraîner des blessures graves.
- ▶ **Utiliser un équipement de protection individuelle. Toujours porter une protection pour les yeux.** Les équipements de protection individuelle tels que les masques contre les poussières, les chaussures de sécurité antidérapantes, les casques ou les protections auditives utilisés pour les conditions appropriées réduisent les blessures.
- ▶ **Éviter tout démarrage intempestif. S'assurer que l'interrupteur est en position arrêt avant de brancher l'outil au secteur et/ou au bloc de batteries, de le ramasser ou de le porter.** Porter les outils électriques en ayant le doigt sur l'interrupteur ou brancher des outils électriques dont l'interrupteur est en position marche est source d'accidents.
- ▶ **Retirer toute clé de réglage avant de mettre l'outil électrique en marche.** Une clé laissée fixée sur une partie tournante de l'outil électrique peut donner lieu à des blessures.
- ▶ **Ne pas se précipiter. Garder une position et un équilibre adaptés à tout moment.** Cela permet un meilleur contrôle de l'outil électrique dans des situations inattendues.

- ▶ **S'habiller de manière adaptée. Ne pas porter de vêtements amples ou de bijoux. Garder les cheveux et les vêtements à distance des parties en mouvement.** Des vêtements amples, des bijoux ou les cheveux longs peuvent être pris dans des parties en mouvement.
- ▶ **Si des dispositifs sont fournis pour le raccordement d'équipements pour l'extraction et la récupération des poussières, s'assurer qu'ils sont connectés et correctement utilisés.** Utiliser des collecteurs de poussière peut réduire les risques dus aux poussières.
- ▶ **Rester vigilant et ne pas négliger les principes de sécurité de l'outil sous prétexte que vous avez l'habitude de l'utiliser.** Une fraction de seconde d'inattention peut provoquer une blessure grave.

Utilisation et entretien de l'outil électrique

- ▶ **Ne pas forcer l'outil électrique. Utiliser l'outil électrique adapté à votre application.** L'outil électrique adapté réalise mieux le travail et de manière plus sûre au régime pour lequel il a été construit.
- ▶ **Ne pas utiliser l'outil électrique si l'interrupteur ne permet pas de passer de l'état de marche à arrêt et inversement.** Tout outil électrique qui ne peut pas être commandé par l'interrupteur est dangereux et il faut le réparer.
- ▶ **Débrancher la fiche de la source d'alimentation et/ou enlever le bloc de batteries, s'il est amovible, avant tout réglage, changement d'accessoires ou avant de ranger l'outil électrique.** De telles mesures de sécurité préventives réduisent le risque de démarrage accidentel de l'outil électrique.
- ▶ **Conserver les outils électriques à l'arrêt hors de la portée des enfants et ne pas permettre à des personnes ne connaissant pas l'outil électrique ou les présentes instructions de le faire fonctionner.** Les outils électriques sont dangereux entre les mains d'utilisateurs novices.
- ▶ **Observer la maintenance des outils électriques et des accessoires. Vérifier qu'il n'y a pas de mauvais alignement ou de blocage des parties mobiles, des pièces cassées ou toute autre condition pouvant affecter le fonctionnement de l'outil électrique. En cas de dommages, faire réparer l'outil électrique avant de l'utiliser.** De nombreux accidents sont dus à des outils électriques mal entretenus.
- ▶ **Garder affûtés et propres les outils permettant de couper.** Des outils destinés à couper correctement entretenus avec des pièces coupantes tranchantes sont moins susceptibles de bloquer et sont plus faciles à contrôler.
- ▶ **Utiliser l'outil électrique, les accessoires et les lames etc., conformément à ces instructions, en tenant compte des conditions de travail et du travail à réaliser.** L'utilisation de l'outil électrique pour des opérations différentes de celles prévues peut donner lieu à des situations dangereuses.

- ▶ **Il faut que les poignées et les surfaces de préhension restent sèches, propres et dépourvues d'huiles et de graisses.** Des poignées et des surfaces de préhension glissantes rendent impossibles la manipulation et le contrôle en toute sécurité de l'outil dans les situations inattendues.

Maintenance et entretien

- ▶ **Faire entretenir l'outil électrique par un réparateur qualifié utilisant uniquement des pièces de rechange identiques.** Cela assure le maintien de la sécurité de l'outil électrique.

Consignes de sécurité pour scies sauteuses

- ▶ **Tenir l'outil électrique par des surfaces de préhension isolées au cours d'une opération où l'accessoire de coupe peut être en contact avec des fils dissimulés ou son propre câble.** Des accessoires de coupe en contact avec un fil "sous tension" peuvent mettre des parties métalliques exposées de l'outil électrique "sous tension" et provoquer un choc électrique chez l'opérateur.
- ▶ **Utiliser des pinces ou autre moyen pratique pour fixer et soutenir la pièce à usiner sur une plateforme stable.** Tenir la pièce à usiner par la main ou contre le corps la rend instable et peut conduire à une perte de contrôle.
- ▶ **N'approchez pas les mains de la zone de travail. Ne saisissez pas la pièce par en dessous dans la zone de travail.** Il y a un risque de blessure grave en cas de contact avec la lame de scie.
- ▶ **N'approchez l'outil électroportatif de la pièce à scier qu'après l'avoir mis en marche.** Il y a un risque de rebond au cas où la lame resterait coincée dans la pièce.
- ▶ **Veillez à ce que la plaque de base repose bien à plat contre la pièce lors du sciage.** Une lame de scie qui coince peut se casser ou provoquer un rebond.
- ▶ **Une fois le travail terminé, arrêtez l'outil électroportatif et attendez que la lame ne soit immobilisée avant de l'extraire de la pièce.** Tout risque de rebond est ainsi évité et l'outil électroportatif peut être posé en toute sécurité.
- ▶ **Avant de poser l'outil électroportatif, attendez que celui-ci soit complètement à l'arrêt.** L'outil risque de se coincer, ce qui entraînerait une perte de contrôle de l'outil électroportatif.
- ▶ **N'utilisez que des lames de scie en parfait état.** Les lames de scie déformées ou émoussées peuvent se casser, produire des coupes de mauvaise qualité ou causer des rebonds.
- ▶ **Après avoir arrêté l'outil, n'immobilisez pas la lame de scie en exerçant une pression latérale sur celle-ci.** La lame de scie risquerait d'être endommagée, de se casser ou de causer un rebond.
- ▶ **Utilisez un détecteur approprié pour vérifier s'il n'y a pas de conduites cachées ou contactez votre société de distribution d'eau locale.** Tout contact avec des câbles électriques peut provoquer un incendie ou un choc

électrique. Tout endommagement d'une conduite de gaz peut provoquer une explosion. La perforation d'une conduite d'eau provoque des dégâts matériels et peut provoquer un choc électrique.

Description des prestations et du produit



Lisez attentivement toutes les instructions et consignes de sécurité. Le non-respect des instructions et consignes de sécurité peut provoquer un choc électrique, un incendie et/ou entraîner de graves blessures.

Référez-vous aux illustrations qui se trouvent à l'avant de la notice d'utilisation.

Utilisation conforme

L'outil électroportatif est conçu pour effectuer, sur un support stable, des découpes et coupes dans le bois, les matières plastiques, le métal, le caoutchouc et les plaques en céramique. Il permet d'effectuer des coupes droites et curvilignes avec des angles d'onglet jusqu'à 45°. Respecter les recommandations d'utilisation des lames de scie.

Éléments constitutifs


La numérotation des éléments de l'appareil se réfère à la représentation de l'outil électroportatif sur la page graphique.

- (1) Bouton de blocage de l'interrupteur Marche/Arrêt
- (2) Interrupteur Marche/Arrêt
- (3) Molette de présélection de cadence de coupe
- (4) Clé mâle pour vis à six pans creux
- (5) Plaque de base
- (6) Bouton de soufflerie
- (7) Levier de sélection de mouvement pendulaire
- (8) Levier SDS pour déverrouillage de la lame de scie
- (9) Galet de guidage
- (10) Lame de scie^{A)}
- (11) Protège-mains
- (12) Poignée (surface de préhension isolée)
- (13) Porte-lame
- (14) Pare-éclats^{A)}
- (15) Capot d'aspiration
- (16) Tubulure d'aspiration
- (17) Flexible d'aspiration^{A)}
- (18) Échelle graduée d'angles d'inclinaison
- (19) Vis de la plaque de base
- (20) Guidage pour la butée parallèle
- (21) Vis de blocage de la butée parallèle^{A)}
- (22) Butée parallèle avec compas^{A)}

(23) Tige de centrage du compas^{A)}

- A) **Les accessoires décrits ou illustrés ne sont pas tous compris dans la fourniture. Vous trouverez les accessoires complets dans notre gamme d'accessoires.**

Caractéristiques techniques

Scie sauteuse		GST 90 BE
Référence		3 601 E8F 0..
Présélection de cadence de coupe		●
Puissance absorbée nominale	W	650
Cadence de coupe à vide n_0	min ⁻¹	500–3100
Amplitude de course	mm	26
Profondeur de coupe maxi		
– dans le bois	mm	90
– dans l'aluminium	mm	20
– dans l'acier (non allié)	mm	10
Angle d'inclinaison (gauche/droite) maxi	°	45
Poids selon EPTA-Procédure 01:2014	kg	2,6
Indice de protection		 II

Les données indiquées sont valables pour une tension nominale [U] de 230 V. Elles peuvent varier lorsque la tension diffère de cette valeur et sur certaines versions destinées à certains pays.

Montage

- **Débranchez le câble d'alimentation de la prise avant d'effectuer des travaux quels qu'il soient sur l'outil électroportatif.**

Montage/changement de la lame de scie

- **Portez des gants de protection lors du montage ou du remplacement de l'accessoire de travail.** Les accessoires de travail sont tranchants et peuvent devenir chauds lors d'une utilisation prolongée de la scie.

Choix de la lame de scie

Vous trouverez une vue d'ensemble des lames de scie recommandées à la fin de cette notice d'utilisation. N'utilisez que des lames à emmanchement à simple accroche (emmanchement en T). Choisissez toujours une lame de scie pas plus longue que nécessaire pour la coupe à effectuer.

Pour le sciage de courbes serrées, utilisez des lames de scie fines à chantourner.

Mise en place de la lame de scie (voir figure A)

- **Nettoyez la queue de la lame avant de la mettre en place.** Une queue sale ne peut pas être fixée de manière sûre et ferme.

Poussez le levier SDS (8) jusqu'en butée vers l'avant et maintenez-le dans cette position. Introduisez jusqu'au dé clic

la lame de scie (10) dans le porte-lame (13) avec les dents orientées dans le sens de la coupe.

Lors du montage de la lame de scie, veillez à ce que le dos de la lame se trouve bien dans la gorge du galet de guidage (9).

- **Vérifiez le serrage de la lame.** Une lame qui a du jeu peut tomber et risquer de vous blesser.

Retrait de la lame de scie (voir figure B)

Poussez le levier SDS (8) jusqu'en butée vers l'avant et retirez la lame de scie (10).

Pare-éclats (voir figure C)

Le pare-éclats (14) (accessoire) évite la formation d'éclats sur les bords lors du sciage de bois. Le pare-éclats ne peut être utilisé que pour certains types de lames de scie et pour un angle de coupe de 0°. Lors d'un sciage avec le pare-éclats, la plaque de base (5) ne doit pas être déplacée vers l'arrière pour scier près des bords.

Pressez par le bas le pare-éclats (14) dans la plaque de base (5).

Aspiration de poussières/de copeaux

Les poussières de matériaux tels que peintures contenant du plomb, certains bois, minéraux ou métaux, peuvent être nuisibles à la santé. Le contact avec les poussières ou leur inhalation peut entraîner des réactions allergiques et/ou des maladies respiratoires auprès de l'utilisateur ou des personnes se trouvant à proximité.

Certaines poussières telles que les poussières de chêne ou de hêtre sont considérées comme cancérigènes, surtout en association avec des additifs pour le traitement du bois (chromate, lasure). Les matériaux contenant de l'amiante ne doivent être travaillés que par des personnes qualifiées.

- Si possible, utilisez un dispositif d'aspiration des poussières approprié au matériau.
- Veillez à bien aérer la zone de travail.
- Il est recommandé de porter un masque respiratoire avec un niveau de filtration de classe P2.

Respectez les règlements spécifiques aux matériaux à traiter en vigueur dans votre pays.

- **Évitez toute accumulation de poussières sur le lieu de travail.** Les poussières peuvent facilement s'enflammer.

Capot de protection (voir figure D)

Montez le capot de protection (15) avant de raccorder l'outil électroportatif à un aspirateur.

Placez le capot de protection (15) sur l'outil électroportatif de sorte que la fixation s'enclenche sur le protège-mains (11).

Pour les travaux sans aspirateur ainsi que pour effectuer des coupes biaisées, retirez le capot de protection (15). Dégagez pour cela le capot de protection vers l'avant du protège-mains (11).

Raccordement d'un aspirateur (voir figures E–F)

Logez la tubulure d'aspiration (16) dans l'évidement de la plaque de base (5).

Veillez ce faisant à ce que l'ergot de la tubulure d'aspiration s'enclenche dans l'orifice de l'outil électroportatif, comme représenté sur la figure E.

Raccordez un tuyau d'aspiration (17) (accessoire) à la tubulure d'aspiration (16). Raccordez l'autre extrémité du tuyau d'aspiration (17) à un aspirateur (accessoire).

Vous trouverez à la fin de cette notice une vue d'ensemble des aspirateurs auxquels peut être raccordé l'outil électroportatif.

Pour obtenir une aspiration optimale, montez si possible le pare-éclats (14).

Désactivez la soufflerie après avoir raccordé l'aspirateur.

L'aspirateur doit être conçu pour le type de matériau à scier.

Pour l'aspiration de poussières particulièrement nuisibles à la santé, cancérigènes ou sèches, utilisez un aspirateur spécial.

Mise en marche

Modes de fonctionnement

- **Débranchez le câble d'alimentation de la prise avant d'effectuer des travaux quels qu'il soient sur l'outil électroportatif.**

Réglage du mouvement pendulaire

Le mouvement pendulaire réglable sur quatre positions permet d'adapter la vitesse de coupe, l'amplitude de la course et la qualité de coupe au type de matériau à découper.

L'amplitude du mouvement pendulaire peut être réglée même en cours d'utilisation au moyen du levier de sélection (7).

Position 0	sans mouvement pendulaire
Position I	petit mouvement pendulaire
Position II	mouvement pendulaire moyen
Position III	grand mouvement pendulaire

L'amplitude optimale du mouvement pendulaire pour chaque utilisation doit être déterminée lors d'essais pratiques. Recommandations :

- Pour obtenir des bords de coupe particulièrement nets, optez pour un mouvement pendulaire de faible amplitude ou désactivez le mouvement pendulaire.
- Pour la découpe de matériaux minces (par ex. des tôles), désactivez le mouvement pendulaire.
- Pour les matériaux durs (par ex. l'acier), sélectionnez un mouvement pendulaire de petite amplitude.
- Pour les matériaux tendres et pour découper du bois dans le sens des fibres, sélectionnez l'amplitude de mouvement pendulaire maximale.

Réglage d'un angle d'inclinaison pour coupes biaisées (voir figure G)

La plaque de base (5) peut être orientée vers la droite ou vers la gauche jusqu'à un angle de 45° pour réaliser des coupes biaisées.

Le capot de protection (15), la tubulure d'aspiration (16) et le pare-éclats (14) ne peuvent pas être utilisés lors de la réalisation de coupes biaisées.

- Pressez la tubulure d'aspiration (16) légèrement vers le bas et retirez-la de la plaque de base (5).
- Retirez le capot d'aspiration (15) et le pare-éclats (14).
- Desserrez la vis (19) avec la clé mâle pour vis à six pans creux (4) et faites glisser légèrement la plaque de base (5) en direction du câble d'alimentation.
- Pour le réglage précis de l'angle d'inclinaison, la plaque de base dispose à gauche et à droite de crantages à 0° et 45°. Basculez la plaque de base (5) dans la position souhaitée en vous aidant de l'échelle graduée (18). D'autres angles d'inclinaison peuvent être réglés à l'aide d'un rapporteur.
- Poussez ensuite la plaque de base (5) à fond en direction de la lame de scie (10).
- Resserrez la vis (19).

Déplacement vers l'arrière de la plaque de base (voir figure G)

Pour scier près d'un bord, vous pouvez déplacer la plaque de base (5) vers l'arrière.

Desserrez la vis (19) et glissez la plaque de base (5) à fond en direction du câble d'alimentation.

Resserrez la vis (19).

Lorsque la plaque de base (5) est reculée, on ne peut travailler qu'avec un angle de coupe à 0°. Il n'est pas possible non plus d'utiliser la butée parallèle avec dispositif pour coupes circulaires (22) (accessoire) et le pare-éclats (14).

Soufflerie

Le flux d'air généré par la soufflerie permet d'avoir une vue dégagée sur la ligne de coupe.



Activation de la soufflerie : pour les travaux dans le bois, les matières plastiques et autres matériaux produisant un enlèvement important de matière, orientez le commutateur (6) en direction de la tubulure d'aspiration.



Désactivation de la soufflerie : pour les travaux dans les métaux ainsi que lors du raccordement d'un aspirateur, orientez le commutateur (6) en direction de la lame de scie.

Mise en marche

- **Tenez compte de la tension du réseau ! La tension de la source de courant doit correspondre aux indications se trouvant sur la plaque signalétique de l'outil électroportatif. Les outils électroportatifs marqués 230 V peuvent également fonctionner sur 220 V.**

Mise en marche/arrêt

- **Assurez-vous de pouvoir actionner l'interrupteur Marche/Arrêt sans avoir à relâcher la poignée.**

Pour **mettre en marche** l'outil électroportatif, appuyez sur l'interrupteur Marche/Arrêt (2).

Pour **bloquer** l'interrupteur Marche/Arrêt **(2)**, maintenez-le enfoncé et poussez le blocage **(1)** vers la droite ou vers la gauche.

Pour **arrêter** l'outil électroportatif, relâchez l'interrupteur Marche/Arrêt **(2)**. Si l'interrupteur Marche/Arrêt **(2)** est bloqué, appuyez d'abord dessus et relâchez-le ensuite.

Contrôle/présélection de la cadence de coupe

La cadence de coupe peut être modifiée en exerçant une pression plus ou moins importante sur l'interrupteur Marche/Arrêt **(2)**.

Une légère pression sur l'interrupteur Marche/Arrêt **(2)** donne une faible cadence de coupe. Plus la pression exercée sur l'interrupteur est élevée, plus la cadence de coupe augmente.

Quand l'interrupteur Marche/Arrêt **(2)** est bloqué, il n'est pas possible de réduire la vitesse de l'outil.

La molette de présélection **(3)** permet de présélectionner la cadence de coupe et de la modifier en cours de fonctionnement.

La cadence de coupe idéale dépend de la nature du matériau et des conditions de travail. Il est conseillé de la déterminer en procédant à des essais préalables.

Il est recommandé de réduire la cadence de coupe au moment où la lame de scie est appliquée contre la pièce ainsi que lors de la découpe de matières plastiques ou d'aluminium.

Lors de travaux de coupe assez longs avec une faible cadence de coupe, l'outil électroportatif risque de chauffer fortement. Retirez la lame de scie et faites tourner l'outil électroportatif à sa cadence de coupe maximale pendant environ 3 minutes afin de refroidir le moteur.

Instructions d'utilisation

- ▶ **Débranchez le câble d'alimentation de la prise avant d'effectuer des travaux quels qu'ils soient sur l'outil électroportatif.**
- ▶ **Arrêtez immédiatement l'appareil électroportatif lorsque la lame coince.**
- ▶ **Pour travailler de petites pièces ou des pièces de faible épaisseur, utilisez un support stable ou une table de sciage (accessoire).**

Avant de scier dans le bois, les panneaux d'agglomérés, les matériaux de construction etc., vérifiez s'ils contiennent des corps étrangers tels que clous, vis etc., et, le cas échéant, retirez-les.

Coupes plongeantes (voir figure H)

- ▶ **Il n'est possible d'effectuer des coupes plongeantes que pour des matériaux tendres tels que le bois, les plaques de plâtre, etc. !**

N'utilisez que des lames pour effectuer des coupes plongeantes. Les coupes plongeantes ne sont possibles qu'avec un angle d'inclinaison de 0°.

Positionnez l'outil électroportatif avec le bord avant de la plaque de base **(5)** sur la pièce, sans que la lame de scie **(10)** ne vienne en contact avec la pièce, et mettez l'outil

électroportatif en marche. Si l'outil électroportatif dispose d'un variateur de vitesse, sélectionnez la cadence de coupe maximale. Appliquez fermement l'outil électroportatif contre la pièce et laissez lentement la lame plonger dans la pièce.

Dès que la plaque de base **(5)** repose de toute sa surface sur la pièce, mettez-vous à scier le long de la ligne de coupe préalablement tracée.

Butée parallèle avec compas (accessoire)

La butée parallèle avec compas **(22)** (accessoire) ne peut être utilisée que pour les pièces dont l'épaisseur ne dépasse pas 30 mm.

Coupes parallèles (voir figure I) : desserrez la vis de blocage **(21)** et faites passer l'échelle graduée de la butée parallèle à travers le guidage **(20)** de la plaque de base. Réglez le largeur de coupe souhaitée sur l'échelle graduée se trouvant sur le bord intérieur de la plaque de base. Resserrez la vis de blocage **(21)**.

Coupes circulaires (voir figure J) : percez près de la ligne de coupe, à l'intérieur du cercle à découper, un trou de diamètre suffisant pour permettre le passage de la lame de scie. Élargissez le trou à l'aide d'une fraise ou d'une lime pour permettre à la lame de scie d'être au ras de la ligne de coupe.

Placez la vis de blocage **(21)** de l'autre côté de la butée parallèle. Faites passer l'échelle graduée de la butée parallèle à travers le guidage **(20)** de la plaque de base. Percez dans la pièce un trou au centre de la découpe à effectuer. Insérez la pointe de centrage **(23)** dans l'ouverture intérieure de la butée parallèle et dans le trou percé. Réglez le rayon sur l'échelle graduée se trouvant sur le bord intérieur de la plaque de base. Resserrez la vis de blocage **(21)**.

Liquides de refroidissement/lubrifiant

Pour la découpe de métal, appliquez un lubrifiant ou un liquide de refroidissement le long de la ligne de coupe.

Entretien et Service après-vente

Nettoyage et entretien

- ▶ **Débranchez le câble d'alimentation de la prise avant d'effectuer des travaux quels qu'ils soient sur l'outil électroportatif.**
- ▶ **Tenez toujours propres l'outil électroportatif ainsi que les fentes de ventilation afin d'obtenir un travail impeccable et sûr.**

Dans le cas où il s'avère nécessaire de remplacer le câble d'alimentation, confiez le remplacement à **Bosch** ou une station de Service Après-Vente agréée pour outillage **Bosch** afin de ne pas compromettre la sécurité.

Nettoyez régulièrement le porte-lame. Pour ce faire, retirez la lame de scie de l'outil électroportatif et tapotez légèrement l'outil électroportatif contre une surface plane pour faire tomber les poussières.

Un fort encrassement de l'outil électroportatif risque d'altérer son bon fonctionnement. Pour cette raison, ne sciez jamais les matériaux produisant beaucoup de poussière par dessous ou dans une position en hauteur.

- **Dans la mesure du possible, utilisez toujours un aspirateur quand les conditions de travail sont extrêmes. Soufflez fréquemment de l'air comprimé au travers des fentes de ventilation et placez un disjoncteur différentiel (PRCD) en amont.** Lors du travail des métaux, il est possible que des poussières métalliques à effet conducteur se déposent à l'intérieur de l'outil. La double isolation de l'outil électroportatif risque alors d'être endommagée.

Si l'évacuation de la poussière se fait mal, arrêtez l'outil électroportatif, débranchez l'aspirateur et retirez la poussière et les copeaux.

Graissez de temps en temps le galet de guidage (9) avec une goutte d'huile.

Contrôlez régulièrement l'état du galet de guidage (9). S'il est usé, faites-le remplacer dans un centre de service après-vente pour outillage **Bosch** agréé.

Service après-vente et conseil utilisateurs

Notre Service après-vente répond à vos questions concernant la réparation et l'entretien de votre produit et les pièces de rechange. Vous trouverez des vues éclatées et des informations sur les pièces de rechange sur le site : www.bosch-pt.com

L'équipe de conseil utilisateurs Bosch se tient à votre disposition pour répondre à vos questions concernant nos produits et leurs accessoires.

Pour toute demande de renseignement ou toute commande de pièces de rechange, précisez impérativement la référence à 10 chiffres figurant sur l'étiquette signalétique du produit.

Algérie

Siestal
Zone Industrielle Ihaddaden
06000 Bejaia
Tel. : +213 (0) 982 400 991/2
Fax : +213 (0) 3 420 1569
E-Mail : sav@siestal-dz.com

Maroc

Robert Bosch Morocco SARL
53, Rue Lieutenant Mahroud Mohamed
20300 Casablanca
Tel.: +212 5 29 31 43 27
E-Mail : sav.outillage@ma.bosch.com

Tunisie

Robert Bosch Tunisie SARL
7 Rue Ibn Battouta Z.I. Saint Gobain
Mégrine Riadh
2014 Ben Arous
Tél. : +216 71 427 496/879
Fax : +216 71 428 621
E-Mail : sav.outillage@tn.bosch.com

Côte d'Ivoire

Rimco
ZONE 3, 9 RUE DU CANAL

01 BP V230, Abidjan 01
Tel. : +225 21 25 93 38

Sénégal

Bernabé
Km 2,5 – Bd du Centenaire de la Commune de Dakar
B.P. 2098 DAKAR
Tel. : +221 33 849 01 01
Fax : +221 33 823 34 20

Élimination des déchets

Les outils électroportatifs, ainsi que leurs accessoires et emballages, doivent pouvoir suivre chacun une voie de recyclage appropriée.



Ne jetez pas les outils électroportatifs avec les ordures ménagères !

Português

Instruções de segurança

Instruções gerais de segurança para ferramentas eléctricas

4 AVISO

Devem ser lidas todas as indicações de segurança,

instruções, ilustrações e especificações desta ferramenta eléctrica. O desrespeito das instruções apresentadas abaixo poderá resultar em choque eléctrico, incêndio e/ou ferimentos graves.

Guarde bem todas as advertências e instruções para futura referência.

O termo "ferramenta eléctrica" utilizado a seguir nas indicações de advertência, refere-se a ferramentas eléctricas operadas com corrente de rede (com cabo de rede) e a ferramentas eléctricas operadas com acumulador (sem cabo de rede).

Segurança da área de trabalho

- **Mantenha a sua área de trabalho sempre limpa e bem iluminada.** Desordem ou áreas de trabalho insuficientemente iluminadas podem levar a acidentes.
- **Não trabalhar com a ferramenta eléctrica em áreas com risco de explosão, nas quais se encontrem líquidos, gases ou pós inflamáveis.** Ferramentas eléctricas produzem faíscas, que podem inflamar pós ou vapores.
- **Manter crianças e outras pessoas afastadas da ferramenta eléctrica durante a utilização.** No caso de distração é possível que perca o controlo sobre o aparelho.

Segurança eléctrica

- ▶ **A ficha de conexão da ferramenta eléctrica deve caber na tomada. A ficha não deve ser modificada de maneira alguma. Não utilizar uma ficha de adaptação junto com ferramentas eléctricas protegidas por ligação à terra.** Fichas não modificadas e tomadas apropriadas reduzem o risco de um choque eléctrico.
- ▶ **Evitar que o corpo possa entrar em contacto com superfícies ligadas à terra, como tubos, aquecimentos, fogões e frigoríficos.** Há um risco elevado devido a um choque eléctrico, se o corpo estiver ligado à terra.
- ▶ **Manter o aparelho afastado de chuva ou humidade.** A infiltração de água numa ferramenta eléctrica aumenta o risco de choque eléctrico.
- ▶ **Não deverá utilizar o cabo para outras finalidades. Nunca utilizar o cabo para transportar a ferramenta eléctrica, para pendurá-la, nem para puxar a ficha da tomada. Manter o cabo afastado do calor, do óleo, de arestas afiadas ou de peças em movimento.** Cabos danificados ou emaranhados aumentam o risco de um choque eléctrico.
- ▶ **Se trabalhar com uma ferramenta eléctrica ao ar livre, só deverá utilizar cabos de extensão apropriados para áreas exteriores.** A utilização de um cabo de extensão apropriado para áreas exteriores reduz o risco de um choque eléctrico.
- ▶ **Se não for possível evitar o funcionamento da ferramenta eléctrica em áreas húmidas, deverá ser utilizado um disjuntor de corrente de avaria.** A utilização de um disjuntor de corrente de avaria reduz o risco de um choque eléctrico.

Segurança de pessoas

- ▶ **Esteja atento, observe o que está a fazer e tenha prudência ao trabalhar com a ferramenta eléctrica. Não utilizar uma ferramenta eléctrica quando estiver fatigado ou sob a influência de drogas, álcool ou medicamentos.** Um momento de descuido ao utilizar a ferramenta eléctrica, pode levar a lesões graves.
- ▶ **Utilizar equipamento de protecção individual. Utilizar sempre óculos de protecção.** A utilização de equipamento de protecção pessoal, como máscara de protecção contra pó, sapatos de segurança antiderrapantes, capacete de segurança ou protecção auricular, de acordo com o tipo e aplicação da ferramenta eléctrica, reduz o risco de lesões.
- ▶ **Evitar uma colocação em funcionamento involuntária. Assegure-se de que a ferramenta eléctrica esteja desligada, antes de conectá-la à alimentação de rede e/ou ao acumulador, antes de levantá-la ou de transportá-la.** Se tiver o dedo no interruptor ao transportar a ferramenta eléctrica ou se o aparelho for conectado à alimentação de rede enquanto estiver ligado, poderão ocorrer acidentes.
- ▶ **Remover ferramentas de ajuste ou chaves de boca antes de ligar a ferramenta eléctrica.** Uma ferramenta

ou chave que se encontre numa parte do aparelho em movimento pode levar a lesões.

- ▶ **Evite uma posição anormal. Mantenha uma posição firme e mantenha sempre o equilíbrio.** Desta forma é mais fácil controlar a ferramenta eléctrica em situações inesperadas.
- ▶ **Usar roupa apropriada. Não usar roupa larga nem jóias. Mantenha os cabelos e roupas afastados de peças em movimento.** Roupas frouxas, cabelos longos ou jóias podem ser agarrados por peças em movimento.
- ▶ **Se for possível montar dispositivos de aspiração ou de recolha, assegure-se de que estejam conectados e utilizados correctamente.** A utilização de uma aspiração de pó pode reduzir o perigo devido ao pó.
- ▶ **Não deixe que a familiaridade resultante de uma utilização frequente de ferramentas permita que você se torne complacente e ignore os princípios de segurança da ferramenta.** Uma acção descuidada pode causar ferimentos graves numa fracção de segundo.

Utilização e manuseio cuidadoso de ferramentas eléctricas

- ▶ **Não sobrecarregue a ferramenta eléctrica. Utilize a ferramenta eléctrica apropriada para o seu trabalho.** É melhor e mais seguro trabalhar com a ferramenta eléctrica apropriada na área de potência indicada.
- ▶ **Não utilizar uma ferramenta eléctrica com um interruptor defeituoso.** Uma ferramenta eléctrica que não pode mais ser ligada nem desligada, é perigosa e deve ser reparada.
- ▶ **Puxar a ficha da tomada e/ou remover o acumulador, se amovível, antes de executar ajustes na ferramenta eléctrica, de substituir acessórios ou de guardar as ferramentas eléctricas.** Esta medida de segurança evita o arranque involuntário da ferramenta eléctrica.
- ▶ **Guardar ferramentas eléctricas não utilizadas fora do alcance de crianças e não permitir que as pessoas que não estejam familiarizadas com o aparelho ou que não tenham lido estas instruções utilizem o aparelho.** Ferramentas eléctricas são perigosas se forem utilizadas por pessoas inexperientes.
- ▶ **Tratar a ferramenta eléctrica e os acessórios com cuidado. Controlar se as partes móveis do aparelho funcionam perfeitamente e não emperram, e se há peças quebradas ou danificadas que possam prejudicar o funcionamento da ferramenta eléctrica. Permitir que peças danificadas sejam reparadas antes da utilização.** Muitos acidentes têm como causa, a manutenção insuficiente de ferramentas eléctricas.
- ▶ **Manter as ferramentas de corte afiadas e limpas.** Ferramentas de corte cuidadosamente tratadas e com cantos de corte afiados emperram com menos frequência e podem ser conduzidas com maior facilidade.
- ▶ **Utilizar a ferramenta eléctrica, acessórios, ferramentas de aplicação, etc. conforme estas instruções. Considerar as condições de trabalho e a tarefa a ser executada.** A utilização de ferramentas

eléctricas para outras tarefas a não ser as aplicações previstas, pode levar a situações perigosas.

- ▶ **Mantenha os punhos e as superfícies de agarrar secas, limpas e livres de óleo e massa consistente.** Punhos e superfícies de agarrar escorregadias não permitem o manuseio e controle seguros da ferramenta em situações inesperadas.

Serviço

- ▶ **Só permita que o seu aparelho seja reparado por pessoal especializado e qualificado e só com peças de reposição originais.** Desta forma é assegurado o funcionamento seguro do aparelho.

Indicações de segurança para serras verticais

- ▶ **Segure a ferramenta elétrica nas superfícies de agarrar isoladas, ao executar uma operação onde o acessório de corte possa entrar em contacto com cabos escondidos ou com o próprio cabo.** Se o acessório de corte entrar em contacto com um fio "sob tensão", as partes metálicas expostas da ferramenta elétrica ficam "sob tensão" e podem produzir um choque elétrico.
- ▶ **Use grampos ou outra forma prática para fixar e suportar a peça a trabalhar numa plataforma estável.** Segurar a peça a trabalhar com a mão ou contra o seu corpo, deixa a peça instável e pode perder o controlo.
- ▶ **Mantenha as mãos afastadas da área de serrar. Não tocar na peça a ser trabalhada pelo lado de baixo.** Há perigo de lesões no caso de contacto com a lâmina de serra.
- ▶ **Só conduzir a ferramenta elétrica no sentido da peça a ser trabalhada quando estiver ligada.** Caso contrário há risco de um contragolpe, se a ferramenta de aplicação se enganchar na peça a ser trabalhada.
- ▶ **Certifique-se de que a placa de base está sempre firmemente apoiada enquanto está a serrar.** Uma lâmina de serra emperrada pode quebrar ou provocar um contragolpe.
- ▶ **Após encerrado o processo de trabalho, deverá desligar a ferramenta elétrica e apenas puxar a lâmina de serra do corte, quando a ferramenta elétrica estiver parada.** Desta forma são evitados contragolpes e é possível apoiar a ferramenta elétrica com segurança.
- ▶ **Espere que a ferramenta elétrica pare completamente, antes de depositá-la.** A ferramenta de aplicação pode emperrar e levar à perda de controlo sobre a ferramenta elétrica.
- ▶ **Só utilizar lâminas de serra que estejam em perfeito estado e que não apresentem danos.** Lâminas de serrar tortas e não suficiente afiadas podem quebrar, influenciar negativamente o corte ou causar um contragolpe.
- ▶ **Não travar a lâmina de serra através de pressão lateral após desligar o aparelho.** A lâmina de serra pode ser danificada, ser quebrada ou causar um contragolpe.
- ▶ **Utilizar detetores apropriados, para encontrar cabos escondidos, ou consulte a companhia elétrica local.** O contacto com cabos elétricos pode provocar fogo e

choques elétricos. Danos em tubos de gás podem levar à explosão. A penetração num cano de água causa danos materiais ou pode provocar um choque elétrico.

Descrição do produto e do serviço



Leia todas as instruções de segurança e instruções. A inobservância das instruções de segurança e das instruções pode causar choque elétrico, incêndio e/ou ferimentos graves.

Respeite as figuras na parte da frente do manual de instruções.

Utilização adequada

A ferramenta elétrica destina-se à realização de cortes e recortes em madeira, plástico, metal, placas de cerâmica e borracha sobre uma base firme. Ela é apropriada para cortes retos e curvos com um ângulo de chanfradura de até 45°. Observar as recomendações da lâmina de serra.

Componentes ilustrados

A numeração dos componentes ilustrados refere-se à apresentação da ferramenta elétrica na página de esquemas.

- (1) Travamento do interruptor de ligar/desligar
- (2) Interruptor de ligar/desligar
- (3) Roda de ajuste da pré-seleção do número de cursos
- (4) Chave de sextavado interno
- (5) Placa de base
- (6) Interruptor dispositivo de sopro de aparas
- (7) Alavanca para ajuste do movimento pendular
- (8) Alavanca SDS para desbloqueio da lâmina de serra
- (9) Rolo de guia
- (10) Lâmina de serra^{A)}
- (11) Proteção contra contacto
- (12) Punho (superfície do punho isolada)
- (13) Admissão da lâmina de serra
- (14) Proteção contra o arranque de aparas^{A)}
- (15) Tampa de cobertura para aspiração
- (16) Bocais de aspiração
- (17) Mangueira de aspiração^{A)}
- (18) Escala do ângulo de meia-esquadria
- (19) Parafuso placa base
- (20) Guia para guia paralela
- (21) Parafuso de fixação da guia paralela^{A)}
- (22) Guia paralela com cortador circular^{A)}
- (23) Ponta centradora do cortador circular^{A)}

A) **Acessórios apresentados ou descritos não pertencem ao volume de fornecimento padrão. Todos os acessórios encontram-se no nosso programa de acessórios.**

Dados técnicos

Serra vertical		GST 90 BE	
Número de produto		3 601 E8F 0..	
Comando do número de cursos			●
Potência nominal absorvida	W	650	
N.º de cursos em vazio n_0	c.p.m.	500–3100	
Curso	mm	26	
Máx. profundidade de corte			
– em madeira	mm	90	
– em alumínio	mm	20	
– em aço (não ligado)	mm	10	
Máx. ângulo de corte (esquerda/direita)	°	45	
Peso conforme EPTA-Procedure 01:2014	kg	2,6	
Classe de proteção		□/II	

Os dados aplicam-se a uma tensão nominal [U] de 230 V. Com tensões divergentes e em versões específicas do país, estes dados podem variar.

Montagem

- ▶ **Antes de todos trabalhos na ferramenta elétrica deverá puxar a ficha de rede da tomada.**

Introduzir/substituir a lâmina de serra

- ▶ **Para a montagem ou substituição do acessório é necessário usar luvas de proteção.** Os acessórios são afiados e podem ficar quentes em caso de uso prolongado.

Selecionar lâmina de serra

Encontra um resumo das lâminas de serra recomendadas no final destas instruções. Utilizar apenas lâminas de serra com encabadouro de um ressalto (encabadouro T). A lâmina de serra não deveria ser mais longa do que necessário para o corte previsto.

Para serrar curvas apertadas deve ser usada uma lâmina de serrar estreita.

Introduzir a lâmina de serra (ver figura A)

- ▶ **Limpe o encabadouro da lâmina de serra antes da colocação.** Uma bainha suja não pode ser fixa de forma segura.

Prima a alavanca SDS (8) até ao batente para a frente e mantenha-a premida. Empurre a lâmina de serra (10), com os dentes para o sentido de corte, até engatar na admissão da lâmina de serra (13).

Ao colocar a lâmina de serra, certifique-se de que as costas da lâmina de serra se encontram no sulco do rolete de guia (9).

- ▶ **Controle a posição firme da lâmina de serra.** Uma lâmina de serra solta pode cair e causar feridas.

Retirar a lâmina de serra (ver figura B)

Pressione a alavanca SDS (8) até ao batente para a frente e retire a lâmina de serra (10).

Proteção contra o arranque de aparas (ver figura C)

A proteção contra o arranque de aparas (14) (acessório) pode evitar o lascar da superfície ao serrar madeira. A proteção contra o arranque de aparas só pode ser usada com determinados tipos de lâmina de serra e apenas com um ângulo de corte de 0°. A placa base (5), ao serrar com a proteção contra o arranque de aparas, não pode ser deslocada para trás para serrar rente à borda.

Pressione a proteção contra o arranque de aparas (14) a partir de baixo na placa base (5).

Aspiração de pó/de aparas

Pós de materiais como por exemplo, tintas que contém chumbo, alguns tipos de madeira, minerais e metais, podem ser nocivos à saúde. O contacto ou a inalação dos pós pode provocar reações alérgicas e/ou doenças nas vias respiratórias do utilizador ou das pessoas que se encontrem por perto.

Certos pós, como por exemplo pó de carvalho e faia são considerados como sendo cancerígenos, especialmente quando juntos com substâncias para o tratamento de madeiras (cromato, produtos de proteção da madeira). Material que contém asbesto só deve ser processado por pessoal especializado.

- Se possível deverá usar um dispositivo de aspiração de pó apropriado para o material.
- Assegurar uma boa ventilação do local de trabalho.
- É recomendável usar uma máscara de proteção respiratória com filtro da classe P2.

Observe as diretivas para os materiais a serem processados, vigentes no seu país.

- ▶ **Evite a acumulação de pó no local de trabalho.** Pós podem entrar levemente em ignição.

Tampa de cobertura (ver figura D)

Monte a tampa de cobertura (15), antes de ligar a ferramenta elétrica a um sistema de aspiração de pó.

Coloque a tampa de cobertura (15) na ferramenta elétrica de forma a que o suporte encaixe na proteção contra contacto (11).

Retire a tampa de cobertura (15) para trabalhos sem aspiração de pó e para cortes em meia-esquadria. Para tal, retire a tampa de cobertura para a frente da proteção contra contacto (11).

Ligar aspiração de pó (ver figuras E–F)

Coloque o bocal de aspiração (16) no entalhe da placa base (5).

Certifique-se de que o came no bocal de aspiração engata, como ilustrado na figura E, no respetivo entalhe da ferramenta elétrica.

Insira uma mangueira de aspiração **(17)** (acessório) no bocal de aspiração **(16)**. Ligue a mangueira de aspiração **(17)** a um aspirador (acessório).

Encontra um resumo da ligação aos diferentes aspiradores no final deste manual.

Para uma excelente aspiração utilize se possível uma proteção contra o arranque de aparas **(14)**.

Desligue o dispositivo de sopro de aparas, se tiver ligado uma aspiração de pó.

O aspirador de pó deve ser apropriado para o material a ser trabalhado.

Utilizar um aspirador especial para aspirar pó que seja extremamente nocivo à saúde, cancerígeno ou seco.

Funcionamento

Modos de operação

► **Antes de todos trabalhos na ferramenta elétrica deverá puxar a ficha de rede da tomada.**

Ajustar o movimento pendular

O movimento pendular ajustável em quatro níveis permite a adequação perfeita da velocidade de corte, do rendimento de corte e da imagem de corte ao material a processar.

Com a alavanca de ajuste **(7)** pode ajustar o movimento pendular mesmo durante o funcionamento.

Nível 0	nenhum movimento pendular
Nível I	pequeno movimento pendular
Nível II	médio movimento pendular
Nível III	grande movimento pendular

O nível de movimento pendular ideal para a respetiva aplicação pode ser determinado através de uma tentativa prática. Aplicam-se as seguintes recomendações:

- Selecione o nível de movimento pendular o mais pequeno possível ou desligue-o movimento pendular para que a aresta de corte fique mais fina e precisa.
- Desligue o movimento pendular ao processar materiais finos (p. ex. chapas).
- Trabalhe com um movimento pendular pequeno em materiais finos (p. ex. aço).
- Em materiais macios, e para serrar madeira no sentido da fibra, é possível trabalhar com máximo movimento pendular.

Ajustar o ângulo de meia-esquadria (ver figura G)

A placa base **(5)** pode ser oscilada até 45° para a direita para cortes em meia-esquadria.

A tampa de cobertura **(15)**, o bocal de aspiração **(16)** e a proteção contra o arranque de aparas **(14)** não podem ser usadas em cortes em meia-esquadria.

- Pressione o bocal de aspiração **(16)** ligeiramente para baixo e puxe-o para fora da placa base **(5)**.
- Retire a tampa de cobertura **(15)** e a proteção contra o arranque de aparas **(14)**.

- Solte o parafuso **(19)** com a chave sextavada interior **(4)** e deslize a placa base **(5)** ligeiramente no sentido do cabo de rede.
- Para o ajuste de ângulos de meia-esquadria precisos, a placa base tem pontos de engate à direita e à esquerda de 0° e 45°. Oscile a placa base **(5)** de acordo com a escala **(18)** para a posição desejada. Outros ângulo de meia-esquadria podem ser ajustados com um medidor de ângulos.
- A seguir empurre a placa base **(5)** até ao batente no sentido da lâmina de serra **(10)**.
- Reaperte o parafuso **(19)**.

Deslocar a placa base (ver figura G)

Para serrar rente à borda pode deslocar a placa base **(5)** para trás.

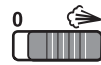
Solte o parafuso **(19)** e empurre a placa base **(5)** até ao batente no sentido do cabo de rede.

Reaperte o parafuso **(19)**.

Serrar com a placa base **(5)** deslocada só é possível com um ângulo de meia-esquadria de 0°. Para além disso, a guia paralela com cortador circular **(22)** (acessórios) e a proteção contra o arranque de aparas **(14)** não podem ser usadas.

Dispositivo de sopro de aparas

Com o fluxo de ar do dispositivo de sopro de aparas, é possível manter a linha de corte livre de aparas.



Ligar o dispositivo de sopro de aparas: para trabalhos com grande débito de aparas em madeira, plástico e semelhantes, desloque o interruptor **(6)** no sentido do bocal de aspiração.



Desligar o dispositivo de sopro de aparas: para trabalhos em metal, assim como em caso de uma aspiração de pó ligada, desloque o interruptor **(6)** no sentido da lâmina de serra.

Colocação em funcionamento

► **Observar a tensão de rede! A tensão da fonte de corrente elétrica deve coincidir com os dados que constam na placa de características da ferramenta elétrica. Ferramentas elétricas marcadas para 230 V também podem ser operadas com 220 V.**

Ligar e desligar

► **Certifique-se de que consegue acionar o interruptor de ligar/desligar sem ter de soltar o punho.**

Para **ligar** a ferramenta elétrica, prima o interruptor de ligar/desligar **(2)**.

Para **fixar** o interruptor de ligar/desligar **(2)** mantenha o mesmo pressionado e desloque o sistema de retenção **(1)** para a direita ou para a esquerda.

Para **desligar** a ferramenta elétrica, solte o botão de ligar/desligar **(2)**. Fixado o interruptor de ligar/desligar **(2)**, prima-o primeiro e solte-o depois.

Comandar/pré-selecionar o número de cursos

Pode regular o número de cursos da ferramenta elétrica ligada de forma contínua, consoante a pressão que faz no interruptor de ligar/desligar (2).

Uma leve pressão sobre o interruptor de ligar/desligar (2) proporciona um número de cursos baixo. Aumentando a pressão, é aumentado o número de cursos.

Com o interruptor de ligar/desligar (2) bloqueado, não é possível reduzir o número de curso.

Com a roda de pré-seleção do número de cursos (3) pode pré-selecionar o número de cursos e pode alterar o mesmo durante o funcionamento.

O número de cursos necessário depende do material e das condições de trabalho e pode ser determinado por tentativas.

Recomendamos uma redução do número de cursos ao colocar a lâmina de serra na peça, assim como ao serrar plástico e alumínio.

No caso de trabalhos mais prolongados com número de cursos reduzido, a ferramenta elétrica pode aquecer muito. Retire a lâmina de serra e deixe a ferramenta elétrica funcionar aprox. 3 min com o número de cursos mais elevado para arrefecer.

Instruções de trabalho

- ▶ **Antes de todos trabalhos na ferramenta elétrica deverá puxar a ficha de rede da tomada.**
- ▶ **Desligue a ferramenta elétrica de imediato se a lâmina de serra encravar.**
- ▶ **Para processar peças a serem trabalhadas pequenas ou finas, deverá sempre ser utilizada uma base firme ou uma mesa de serrar (acessório).**

Antes de serrar em madeira, placas de aglomerado de madeira, materiais de construção etc. verifique se estes apresentam corpos estranhos, como pregos, parafusos ou semelhantes e retire-os se necessário.

Serrar por imersão (ver figura H)

- ▶ **Só podem ser processados materiais macios como madeira, pladur ou semelhantes no processo de imersão!**

Só utilizar lâminas de serra curtas ao serrar por imersão. Serrar em imersão só é possível com um ângulo de meia-esquadria 0°.

Coloque a ferramenta elétrica com o canto da frente da placa base (5) na peça, sem que a lâmina de serra (10) toque na peça, e ligue-a. Nas ferramentas elétricas com controlo dos cursos seleccione o número de cursos máximo. Pressione a ferramenta elétrica contra a peça e deixe a lâmina de serra afundar devagar na peça.

Assim que a placa base (5) assentar completamente da peça, continue a serrar ao longo da linha de corte desejada.

Guia paralela com cortador circular (acessórios)

Para trabalhos com a guia paralela com cortador circular (22) (acessórios), a espessura da peça só pode ser no máximo 30 mm.

Cortes paralelos (ver figura I): solte o parafuso de fixação (21) e introduza a escala da guia paralela através da guia (20) na placa base. Ajustar a largura de corte desejada como valor de escala no canto interior da placa de base. Aperte o parafuso de fixação (21).

Cortes circulares (ver figura J): faça um furo na linha de corte dentro do furo a serrar, que chegue para inserir a lâmina de serra. Aumentar o furo com uma fresa ou com uma lima, para que a lâmina de serra possa estar alinhada à linha de corte.

Coloque o parafuso de fixação (21) no outro lado da guia paralela. Introduza a escala da guia paralela através da guia (20) na placa base. Fazer um buraco no centro do recorte a ser realizado na peça a ser trabalhada. Introduza a ponta centradora (23) através da abertura da guia paralela e no furo feito. Ajustar o raio como valor de escala no canto interior da placa de base. Aperte o parafuso de fixação (21).

Meio de arrefecimento e de lubrificação

Ao serrar metal, deveria aplicar um meio de lubrificação ou de arrefecimento ao longo da linha de corte, devido ao aquecimento do material.

Manutenção e assistência técnica

Manutenção e limpeza

- ▶ **Antes de todos trabalhos na ferramenta elétrica deverá puxar a ficha de rede da tomada.**
- ▶ **Manter a ferramenta elétrica e as aberturas de ventilação sempre limpas, para trabalhar bem e de forma segura.**

Se for necessário instalar um cabo de ligação, a instalação deve ser feita pela **Bosch** ou por um centro de serviço autorizado para ferramentas elétricas **Bosch**, para evitar perigos de segurança.

Limpar regularmente a admissão da lâmina de serra. Para isto deverá retirar a lâmina de serra da ferramenta elétrica e dar umas leves pancadinhas na ferramenta elétrica numa superfície plana.

Uma forte sujidade da ferramenta elétrica pode causar falhas de funcionamento. Por isso, não serre material que origine muito pó a partir de baixo ou por cima da cabeça.

- ▶ **Em condições de utilização extremas utilize sempre, se possível, um sistema de aspiração. Sobre frequentemente as aberturas de ventilação e interconecte um disjuntor de corrente de avaria (PRCD).** Durante o processamento de metais é possível que se deposite pó condutivo no interior da ferramenta elétrica. Isto pode prejudicar o isolamento de proteção da ferramenta elétrica.

Se a saída de pó ficar entupida, desligue a ferramenta elétrica, retire a aspiração de pó e remova o pó e as aparas. De vez em quando deverá lubrificar o rolo de guia (9) com uma gota de óleo.

Controlar o rolo de guia (9) regularmente. Se apresentar desgaste, deverá ser substituído por um serviço pós-venda autorizado **Bosch**.

Serviço pós-venda e aconselhamento

O serviço pós-venda responde às suas perguntas a respeito de serviços de reparação e de manutenção do seu produto, assim como das peças sobressalentes. Desenhos explodidos e informações acerca das peças sobressalentes também em: www.bosch-pt.com

A nossa equipa de consultores Bosch esclarece com prazer todas as suas dúvidas a respeito dos nossos produtos e acessórios.

Indique para todas as questões e encomendas de peças sobressalentes a referência de 10 dígitos de acordo com a placa de características do produto.

Brasil

Robert Bosch Ltda. – Divisão de Ferramentas Elétricas
Rodovia Anhanguera, Km 98 - Parque Via Norte
13065-900, CP 1195
Campinas, São Paulo
Tel.: 0800 7045 446
www.bosch.com.br/contato

Angola

Robert Bosch Ltd
Divisão de Ferramentas Elétricas
Estrada de Cacucuo 288
Luanda
Tel. : +244 927 584 446
<http://www.bosch-professional.com/ao/pt/>

Eliminação

Ferramentas elétricas, acessórios e embalagens devem ser enviados a uma reciclagem ecológica de matérias-primas.



Não deitar ferramentas elétricas no lixo doméstico!

中文

安全规章

电动工具通用安全警告

警告！ 阅读所有警告和所有说明！不遵照以下警告和说明会导致电击、着火和 / 或严重伤害。

保存所有警告和说明书以备查阅。

在所有下列的警告中术语“电动工具”指市电驱动（有线）电动工具或电池驱动（无线）电动工具。

工作场地的安全

- ▶ 保持工作场地清洁和明亮。混乱和黑暗的场地会引发事故。
- ▶ 不要在易爆环境，如有易燃液体、气体或粉尘的环境下操作电动工具。电动工具产生的火花会点燃粉尘或气体。

- ▶ 让儿童和旁观者离开后操作电动工具。注意力不集中会使操作者失去对工具的控制。

电气安全

- ▶ 电动工具插头必须与插座相配。绝不能以任何方式改装插头。需接地的电动工具不能使用任何转换插头。未经改装的插头和相配的插座将减少电击危险。
- ▶ 避免人体接触接地表面，如管道、散热片和冰箱。如果你身体接地会增加电击危险。
- ▶ 不得将电动工具暴露在雨中或潮湿环境中。水进入电动工具将增加电击危险。
- ▶ 不得滥用电线。绝不能用电线搬运、拉动电动工具或拔出其插头。使电线远离热源、油、锐边或运动部件。受损或缠绕的软线会增加电击危险。
- ▶ 当在户外使用电动工具时，使用适合户外使用的外接软线。适合户外使用的软线将减少电击危险。
- ▶ 如果在潮湿环境下操作电动工具是不可避免的，应使用剩余电流动作保护器（RCD）。使用RCD可减小电击危险。

人身安全

- ▶ 保持警觉，当操作电动工具时关注所从事的操作并保持清醒。当你感到疲倦，或在有药物、酒精或治疗反应时，不要操作电动工具。在操作电动工具时瞬间的疏忽会导致严重人身伤害。
- ▶ 使用个人防护装置。始终佩戴护目镜。安全装置，诸如适当条件下使用防尘面具、防滑安全鞋、安全帽、听力防护等装置能减少人身伤害。
- ▶ 防止意外起动。确保开关在连接电源和/或电池盒、拿起或搬运工具时处于关断位置。手指放在已接通电源的开关上或开关处于接通时插入插头可能会导致危险。
- ▶ 在电动工具接通之前，拿掉所有调节钥匙或扳手。遗留在电动工具旋转零件上的扳手或钥匙会导致人身伤害。
- ▶ 手不要伸展得太长。时刻注意立足点和身体平衡。这样在意外情况下能很好地控制电动工具。
- ▶ 着装适当。不要穿宽松衣服或佩戴饰品。让衣服、手套和头发远离运动部件。宽松衣服、佩戴或长发可能会卷入运动部件中。
- ▶ 如果提供了与排屑、集尘设备连接用的装置，要确保他们连接完好且使用得当。使用这些装置可减少尘屑引起的危险。
- ▶ 即使由于经常使用电动工具而对此非常熟悉，也不要就认为可以高枕无忧而忽略工具的安全规定。粗心大意的行为可能在瞬间就造成严重的伤害。

电动工具使用和注意事项电动工具使用和注意事项

- ▶ 不要滥用电动工具，根据用途使用适当的电动工具。选用适当设计的电动工具会使你工作更有效、更安全。
- ▶ 如果开关不能接通或关断工具电源，则不能使用该电动工具。如果开关不能接通或关断工具电源，则不能使用该电动工具。

- ▶ 在进行任何调节、更换附件或贮存电动工具之前，必须从电源上拔掉插头和/或使电池盒与工具脱离。这种防护性措施将减少工具意外起动的危险。
- ▶ 将闲置不用的电动工具贮存在儿童所及范围之外，并且不要让不熟悉电动工具或对这些说明不了解的人操作电动工具。电动工具在未经培训的用户手中是危险的。
- ▶ 保养电动工具。检查运动件是否调整到位或卡住，检查零件破损情况和影响电动工具运行的其他状况。如有损坏，电动工具应在使用前修理好。许多事故由维护不良的电动工具引发。
- ▶ 保持切削刀具锋利和清洁。保养良好的有锋利切削刃的刀具不易卡住而且容易控制。
- ▶ 按照使用说明书，考虑作业条件和进行的作业来使用电动工具、附件和工具的刀头等。将电动工具用于那些与其用途不符的操作可能会导致危险。
- ▶ 保持手柄和握持表面干燥、清洁、无油污。在突发情况下，滑溜的手柄和握持表面无法确保安全地握持和控制工具。

维修

- ▶ 将你的电动工具送交专业维修人员，使用同样的备件进行修理。这样将确保所维修的电动工具的安全性。

针对线锯的安全规章

- ▶ 在切割附件可能触及暗线或其自身软线之处进行操作时，要通过绝缘握持面来握持工具。切割附件碰到带电导线会使工具外露的金属零件带电从而使操作者受到电击。
- ▶ 使用夹箍或其他实用方式将加工件固定和支承到一个稳定的平台上。用手握住或用身体顶住加工件会导致不稳定，从而引起失控。
- ▶ 双手必须远离锯割范围，手不可以握在工件下端。如果不小心碰触了锯片可能被割伤。
- ▶ 先开动电动工具后再把工具放置在工件上切割。如果电动工具被夹在工件中，会有反弹的危险。
- ▶ 注意锯割时把底座正确安稳地放置。锯片如果歪斜了，可能断裂或者造成反弹。
- ▶ 工作告一段落时，必须先关闭电动工具并等待机器完全静止后，才可以从锯缝中拔出锯刀。如此不但可以防止反弹，而且可以防止放置机器时发生危险。
- ▶ 等待电动工具完全静止后才能够放下机器。机器上的工具可能在工作中被夹住，而令您无法控制电动工具。
- ▶ 只能使用未受损的功能正常的锯片。弯曲或变钝的锯片可能断裂，对锯痕造成负面影响或导致反弹。
- ▶ 关机后不可以侧压刀片来制止仍然继续转动的刀片。锯刀可能因此受损、断裂或者造成反击。
- ▶ 使用合适的侦测装置侦察隐藏的电线，或者向当地的相关单位寻求支援。接触电线可能引起火灾并让操作者触电。损坏了瓦斯管会引起爆炸。凿

穿水管不仅会造成严重的财物损失，也可能导致触电。

产品和性能说明



请阅读所有安全规章和指示。不遵照以下警告和说明可能导致电击、着火和/或严重伤害。

请注意本使用说明书开头部分的图示。

按照规定使用

本机器可以在稳固的底垫上，进行切割、挖割。适用的材料包括木材、塑胶、金属、陶片和橡胶等。本机器不仅能够直锯，也可以锯弯角，最大弯角角度可达45°。请使用本公司推荐的锯条。

插图上的机件

机件的编号和电动工具详解图上的编号一致。

- (1) 电源开关止动件
- (2) 电源开关
- (3) 冲击次数预选调节轮
- (4) 内六角扳手
- (5) 底板
- (6) 锯屑吹净装置开关
- (7) 振荡调整杆
- (8) 锯片解锁SDS杆
- (9) 导引轮
- (10) 锯片^{A)}
- (11) 防割伤装置
- (12) 手柄（绝缘握柄）
- (13) 锯片架
- (14) 防毛边压板^{A)}
- (15) 集尘装置盖罩
- (16) 抽吸套管
- (17) 集尘软管^{A)}
- (18) 斜切角度的刻度
- (19) 底板螺栓
- (20) 平行限制器的导引
- (21) 平行限制器的固定螺栓^{A)}
- (22) 带开圆器的平行限制器^{A)}
- (23) 开圆器定心尖^{A)}

A) 图表或说明上提到的附件，并不包含在基本的供货范围中。本公司的附件清单中有完整的附件供应项目。

技术数据

曲线锯	GST 90 BE	
物品代码		3 601 E8F 0..
冲击次数控制装置		●
额定输入功率	瓦	650
空载转速 n_0	min ⁻¹	500-3100

曲线锯		GST 90 BE
冲程	毫米	26
最大切割深度		
- 木材	毫米	90
- 铝材	毫米	20
- 钢材 (非合金)	毫米	10
最大切割角度 (左/右)	度	45
重量符合 EPTA-Procedure 01:2014	公斤	2.6
保护等级		□/II

所有参数适用于230伏的额定电压[U]，对于其他不同的电压和国际规格，数据有可能不同。

安装

- ▶ 在电动工具上进行所有操作之前都必须从插座上拔出电源插头。

安装/更换锯片

- ▶ 安装或更换工具刀头时务必佩戴保护手套。工具刀头非常锋利，长时间使用后会变热。

选择锯片

在本说明书的最后有锯片的一览表。请只安装单凸轮轴 (T型刀柄) 的锯片。锯片长度不得超过预定锯线所需的数值。

在狭小的弯角上锯割时要使用窄的锯片。

安装锯片 (参见插图 A)

- ▶ 安装前，请清洁锯片的柄部。脏污的柄部无法牢牢固定。

向前按压SDS杆 (8) 直至限位并按住。推动锯片 (10)，使锯齿朝向切割方向，直至卡入锯片架 (13)。

在安装锯片时注意，锯片背位于导引轮 (9) 的槽内。

- ▶ 检查锯片是否牢固固定。松脱的锯片会从接头掉落并伤害您。

取下锯片 (参见插图 B)

向前按压SDS杆 (8) 直至限位，然后取下锯片 (10)。

防毛边压板 (见图片 C)

防毛边压板 (14) (附件) 可以在锯割木材时防止表面裂开。防毛边压板只能用于特定的锯片类型，并且只能用于0°锯角。使用防毛边压板锯切时，不得向后移动底板 (5) 以靠近边缘锯切。

将防毛边压板 (14) 从下方压入底板 (5)。

吸尘罩/吸锯屑

含铅的颜料以及某些木材、矿物和金属的加工废尘有害健康。机器操作者或者工地附近的人如果接触、吸入这些废尘，可能会有过敏反应或者感染呼吸道疾病。

某些尘埃 (例如加工橡木或山毛榉的废尘) 可能致癌，特别是和处理木材的添加剂 (例如木材的防腐

剂等) 结合之后。只有经过专业训练的人才能够加工含石棉的物料。

- 尽可能使用适合物料的吸尘装置。
- 工作场所要保持空气流通。
- 最好佩戴P2滤网等级的口罩。

请留心并遵守贵国和加工物料有关的法规。

- ▶ 避免让工作场所堆积过多的尘垢。尘垢容易被点燃。

盖罩 (参见插图 D)

将电动工具连接到集尘装置上前，请装好盖罩 (15)。

将盖罩 (15) 放到电动工具上，以便支架卡入防割伤装置 (11)。

执行不需要集尘的操作或斜切时，请拆下盖罩 (15)。为此，将盖罩向前从防割伤装置 (11) 上拉下。

连接集尘装置 (参见插图 E-F)

将抽吸套管 (16) 装到底板 (5) 的凹槽中。

注意抽吸套管上的凸轮应如图 E 所示卡入电动工具相应的凹槽中。

将集尘软管 (17) (附件) 插到抽吸套管 (16) 上。将集尘软管 (17) 与吸尘器 (附件) 连接。

在本使用说明书的末尾可以找到各种集尘器的连接概览。

为确保最佳集尘效果，如果可以的话，请安装防毛边压板 (14)。

连接好集尘装置后，请关闭锯屑吹净装置。

根据工件的物料选择合适的吸尘装置。

吸尘可能危害健康、可能导致癌症或干燥的废尘时，务必使用特殊的吸尘装置。

操作

运行模式

- ▶ 在电动工具上进行所有操作之前都必须从插座上拔出电源插头。

调整振荡功能

本机器有四个振荡档位，因此可以根据加工物料适度配合锯割速度、锯割功率并产生最好的锯割效果。

使用调节杆 (7) 也能在运行期间调整振荡。

档位0	无振荡
档位I	小振荡
档位II	中振荡
档位III	大振荡

通过实际试验来确定各个应用的最佳振荡档位。以下各设定建议仅供参考：

- 振荡档位越小，甚至完全关闭振荡功能，锯缘越细越干净。
- 在加工较薄的材料 (例如板材) 时请关闭振荡功能。
- 在加工硬纸材料 (例如钢) 时使用小振荡。

- 锯割较软的材料或顺着木纹锯割木材时必须设定最大的振荡档位。

调整斜切角度 (参见插图 G)

斜切角度在45°以下时，可将底板 (5) 向右或向左摆动。

斜切时，无法安装盖罩 (15)、抽吸套管 (16) 和防毛边压板 (14)。

- 将抽吸套管 (16) 轻轻向下压，然后将其从底板 (5) 中拉出。
- 取下盖罩 (15) 和防毛边压板 (14)。
- 用内六角扳手 (4) 松开螺栓 (19)，然后将底板 (5) 朝电源线方向轻移。
- 为精确调整斜切角度，请在0°和45°时从左右侧卡住底板。根据刻度 (18)，将底板 (5) 摆动到所需的位置。此外也可以使用量角规设定其它的角度。
- 然后沿锯片 (10) 方向推动底板 (5)，直至限位。
- 重新拧紧螺栓 (19)。

移动底板 (参见插图 G)

可向后移动底板 (5)，以便贴着边缘锯切。

松开螺栓 (19)，将底板 (5) 朝电源线方向推动，直至限位。

重新拧紧螺栓 (19)。

仅可在斜切角度为0°时利用移动后的底板 (5) 锯切。此外，不得使用带开圆器的平行限制器 (22) (附件) 及防毛边压板 (14)。

锯屑吹净装置

利用锯屑吹净装置的气流可以清除切线上的锯屑。



接通锯屑吹净装置：加工像木材、塑料等切屑去除量较大的材料时，请将开关 (6) 朝抽吸套管方向推动。



关闭锯屑吹净装置：在连接有集尘装置的情况下加工金属时，请将开关 (6) 朝锯片方向推动。

投入使用

- ▶ **注意电源电压！** 电源的电压必须和电动工具铭牌上标示的电压一致。标记为230伏电动工具用220伏的电压可以驱动。

接通/关闭

- ▶ **请确保握住手柄时可以开启/关闭开关。**

要 **接通** 电动工具，按压起停开关 (2)。

要 **锁定** 起停开关 (2)，按住起停开关并向左或向右推动止动件 (1)。

要 **关闭** 电动工具，松开起停开关 (2)。起停开关 (2) 锁住时，请先按压，然后再松开。

控制/预选冲击次数

可以无级调节已接通电动工具的冲击次数，视按压起停开关 (2) 的力道程度决定。

以较小的力按压起停开关 (2) 时，冲击次数较低。逐渐在开关上加压，冲击次数也会跟着提高。

起停开关 (2) 锁定后，无法减少冲击次数。

利用冲击次数预选调节轮 (3) 也可以在运行过程中预选所需的冲击次数。

正确的冲击次数必须视工件物料和工作状况而定。唯有实际操作才能找出最合适的冲击次数。

起锯时，或者锯割塑料、铝片时最好降低冲击次数。

以小的冲击次数长期工作之后，电动工具会变得很热。拆下锯片，让电动工具以最高冲击次数运作3分钟以加速冷却。

工作提示

- ▶ **在电动工具上进行所有操作之前都必须从插座上拔出电源插头。**
- ▶ **当锯片被夹住时，请立即关闭电动工具。**
- ▶ **锯割小的或薄的工件时必须使用牢固的垫架或者使用锯台 (附件)。**

锯切木材、刨花板、建筑材料等材料前应检查是否有异物，比如钉子、螺栓等类似物质，如果有的话，请清除。

潜锯 (见图片 H)

- ▶ **在切入式锯切工艺中，仅允许加工软材料，比如木材、石膏板等类似材料！**

潜锯时只能使用短的锯片。仅可在斜切角度为0°时进行潜锯。

将电动工具底板 (5) 的前边缘放到工件上，锯片 (10) 不要触碰到工件，然后接通。如果电动工具有冲击次数设定功能的话，必须选择最高冲击次数。用力地把电动工具压向工件，并让锯刀慢慢地潜入工件中。

底板 (5) 齐平地贴着工件后，就可沿着所需的切线继续切割。

带开圆器的平行限制器 (附件)

使用带开圆器的平行限制器 (22) (附件) 进行加工时，工件厚度不得超过30 mm。

直线切割 (见图片 I)：松开固定螺丝 (21)，将平行限制器的刻度推过底板的导引 (20)。根据刻度尺调整好需要的锯割宽度。拧紧固定螺丝 (21)。

开圆 (见图片 J)：在待切割圆内的切线上钻一个足以插入锯刀的孔。用铣刀或锉刀处理一下孔，以便锯刀可以与切线齐平。

将固定螺丝 (21) 放到平行限制器的另一侧。通过底板的导引 (20) 推动平行限制器的刻度。在工件待锯切开口的中央位置钻一个孔。将定心尖 (23) 插入平行限制器的内孔和钻好的孔中。根据底板内缘调整半径的刻度值。拧紧固定螺丝 (21)。

冷却剂/润滑剂

锯割金属时由于物料会变热，必须沿着锯割线涂抹冷却剂或润滑剂。

维修和服务

维修和清洁

- ▶ **在电动工具上进行所有操作之前都必须从插座上拔出电源插头。**

► **电动工具和通气孔必须随时保持清洁，以确保工作效率和工作安全。**

如果必须更换连接线，务必把这项工作交给**Bosch**或者经授权的**Bosch**电动工具顾客服务执行，以避免危害机器的安全性能。

定期清洁锯片接头。此时必须先从电动工具中拆下锯片，然后在平坦的表面上轻敲电动工具，以便抖落污垢。

电动工具如果沾满污垢，可能会影响机器的功能。因此，请勿从下方或在头顶上切割会产生大量粉尘的材料。

► **在某些极端使用环境下，如果可能的话一定要使用吸尘器。经常吹除通气孔中的污垢，并且要使用故障电流保护开关（PRCD）。**加工金属时可能在电动工具的内部堆积会导电的粉尘。这样可能会影响电动工具的安全绝缘性能。

如果出尘口堵塞，请关闭电动工具，取下集尘设备，清除灰尘和碎屑。

适时地用一滴润滑油滑导引轮（9）。

定期检查引导轮（9）。如果已磨损，必须让经过授权的**Bosch**客户服务中心更换。

客户服务和应用咨询

本公司顾客服务处负责回答有关本公司产品的修理、维护和备件的问题。备件的展开图纸和信息也可查看：www.bosch-pt.com

博世应用咨询团队乐于就我们的产品及其附件问题提供帮助。

询问和订购备件时，务必提供机器铭牌上标示的10位数物品代码。

香港和澳门特别行政区

罗伯特博世有限公司
香港北角英皇道625号，21楼
客户服务热线：+852 2101 0235
传真：+852 2590 9762
电子邮件：info@hk.bosch.com
www.bosch-pt.com.hk

中国大陆

博世电动工具（中国）有限公司
中国 浙江省 杭州市
滨江区 滨康路567号
102/1F 服务中心
邮政编码：310052
电话：(0571)8887 5566 / 5588
传真：(0571)8887 6688 x 5566# / 5588#
电邮：bsc.hz@cn.bosch.com
www.bosch-pt.com.cn

制造商地址：

Robert Bosch Power Tools GmbH
罗伯特·博世电动工具有限公司
70538 Stuttgart / GERMANY
70538 斯图加特 / 德国

处理废弃物

必须以符合环保要求的方式回收再利用电动工具、附件和包装材料。



请勿将电动工具扔到生活垃圾中！

产品中有害物质的名称及含量

部件名称	有害物质					
	铅 (Pb)	汞 (Hg)	镉 (Cd)	六价铬 (Cr ⁺⁶)	多溴联苯 (PBB)	多溴二苯醚 (PBDE)
外壳的金属部分	O	O	O	O	O	O
外壳的非金属部分	O	O	O	O	O	O
机械传动机构	X	O	O	O	O	O
电机组件	X	O	O	O	O	O
控制组件	X	O	O	O	O	O
附件	O	O	O	O	O	O
配件	O	O	O	O	O	O
连接件	X	O	O	O	O	O
电源线* ①	O	O	O	O	O	O
电池系统* ②	X	O	O	O	O	O

本表格依据SJ/T11364 的规定编制。

O：表示该有害物质在该部件所有均质材料中的含量均在GB/T 26572 规定的限量要求以下。

X：表示该有害物质至少在该部件的某一均质材料中的含量超出GB/T 26572 规定的限量要求。且目前业界没有成熟的替代方案，符合欧盟RoHS 指令环保要求。

① 适用于采用电源线连接供电的产品。

② 适用于采用充电电池供电的产品。

产品环保使用期限内的使用条件参见产品说明书。

繁體中文

安全注意事項

電動工具一般安全注意事項

警告 請詳讀工作臺及電動工具的所有安全警告與使用說明。若不遵照以下列出的指示，將可能導致電擊、著火和/或人員重傷。

保存所有警告和說明書以備查閱。

在所有警告中，「電動工具」此一名詞泛指：以市電驅動的（有線）電動工具或是以電池驅動的（無線）電動工具。

工作場地的安全

- ▶ 保持工作場地清潔和明亮。混亂和黑暗的場地會引發事故。
- ▶ 不要在易爆環境，如有易燃液體、氣體或粉塵的環境下操作電動工具。電動工具產生的火花會點燃粉塵或氣體。
- ▶ 讓兒童和旁觀者離開後操作電動工具。注意力不集中會使您失去對工具的控制。

電氣安全

- ▶ 電動工具插頭必須與插座相配。絕不能以任何方式改裝插頭。需接地的電動工具不能使用任何轉換插頭。未經改裝的插頭和相配的插座將減少電擊危險。
- ▶ 避免人體接觸接地表面，如管道、散熱片和冰箱。如果您身體接地會增加電擊危險。
- ▶ 不得將電動工具暴露在雨中或潮濕環境中。水進入電動工具將增加電擊危險。
- ▶ 不得濫用電線。絕不能用電線搬運、拉動電動工具或拔出其插頭。使電線遠離熱源、油、銳利邊緣或移動零件。受損或纏繞的軟線會增加電擊危險。
- ▶ 當在戶外使用電動工具時，使用適合戶外使用的延長線。適合戶外使用的軟線，將減少電擊危險。
- ▶ 如果在潮濕環境下操作電動工具是不可避免的，應使用剩餘電流動作保護器（RCD）。使用RCD可降低電擊危險。

人身安全

- ▶ 保持警覺，當操作電動工具時關注所從事的操作並保持清醒。當您感到疲倦，或在有藥物、酒精或治療反應時，不要操作電動工具。在操作電動工具時瞬間的疏忽會導致嚴重人身傷害。
- ▶ 使用個人防護裝置。始終佩戴護目鏡。安全裝置，諸如適當條件下使用防塵面具、防滑安全鞋、安全帽、聽力防護等裝置能減少人身傷害。

- ▶ 防止意外起動。確保開關在連接電源和/或電池盒、拿起或搬運工具時處於關閉位置。手指放在已接通電源的開關上或開關處於接通時插入插頭可能會導致危險。
- ▶ 在電動工具接通之前，拿掉所有調節鑰匙或扳手。遺留在電動工具旋轉零件上的扳手或鑰匙會導致人身傷害。
- ▶ 手不要伸展得太長。時刻注意立足點和身體平衡。這樣在意外情況下能很好地控制電動工具。
- ▶ 著裝適當。不要穿寬鬆衣服或佩戴飾品。讓您的衣物及頭髮遠離運動部件。寬鬆衣服、佩飾或長髮可能會捲入運動部件中。
- ▶ 如果提供了與排屑、集塵設備連接用的裝置，要確保他們連接完好且使用得當。使用這些裝置可減少塵屑引起的危險。
- ▶ 切勿因經常使用工具所累積的熟練感而過度自信，輕忽工具的安全守則。任何一個魯莽的舉動都可能瞬間造成人員重傷。

電動工具使用和注意事項

- ▶ 不要濫用電動工具，根據用途使用適當的電動工具。選用適當設計的電動工具會使您工作更有效、更安全。
- ▶ 如果開關不能開啟或關閉工具電源，則不能使用該電動工具。不能用開關來控制的電動工具是危險的且必須進行修理。
- ▶ 在進行任何調整、更換配件或貯存電動工具之前，必須從電源上拔掉插頭並/或取出電池盒。這種防護性措施將減少工具意外起動的危險。
- ▶ 將閒置不用的電動工具貯存在兒童所及範圍之外，並且不要讓不熟悉電動工具或對這些說明不瞭解的人操作電動工具。電動工具在未經培訓的用戶手中是危險的。
- ▶ 保養電動工具與配備。檢查運動件是否調整到位或卡住，檢查零件破損情況和影響電動工具運行的其他狀況。如有損壞，電動工具應在使用前修理好。許多事故由維護不良的電動工具引發。
- ▶ 保持切削刀具鋒利和清潔。保養良好的有鋒利切削刀的刀具不易卡住而且容易控制。
- ▶ 按照使用說明書，考慮作業條件和進行的作業來使用電動工具、配件和工具的刀頭等。將電動工具用於那些與其用途不符的操作可能會導致危險。
- ▶ 把手及握持區應保持乾燥、潔淨，且不得沾染任何油液或油脂。易滑脫的把手及握持區將無法讓您在發生意外狀況時安全地抓緊並控制工具。

檢修

- ▶ 將您的電動工具送交專業維修人員，必須使用同樣的備件進行更換。這樣將確保所維修的電動工具的安全性。

線鋸機安全注意事項

- ▶ 進行作業時，負責進行切割的配件可能會碰觸到隱藏的配線或電動工具的電線，請從絕緣握把處拿持電動工具。負責進行切割的配件若是觸及「導電」電線，可能導致電動工具外露的金屬部件「導電」，進而使操作人員遭受電擊。
- ▶ 請用夾具或其他可行方式將工件穩固地架在可靠平台上。用手握持工件或將它貼靠在您身上會因無法確實固定而導致失控。
- ▶ 雙手必須遠離鋸割範圍，手不可以握在工件下端。如果不小心碰觸了鋸片可能被割傷。
- ▶ 先啟動電動工具後再把工具放置在工件上切割。如果電動工具被夾在工件中，會有反彈的危險。
- ▶ 請注意：進行鋸切時，請將底座穩固地貼靠在平面上。鋸片如果歪斜，則可能斷裂或造成反彈。
- ▶ 工作告一段落時，必須先關閉電動工具並等待機器完全靜止後，才可以從鋸縫中抽出鋸刀。如此不但可以防止反彈，而且可以防止放置機器時發生危險。
- ▶ 必須等待電動工具完全靜止後才能將它放下。嵌件工具可能卡住而使電動工具失控。
- ▶ 只能使用未受損、功能正常的鋸片。彎曲或變鈍的鋸片可能斷裂，對鋸痕造成負面影響或導致反彈。
- ▶ 關機後不可以側壓刀片來制止仍然繼續轉動的刀片。鋸刀可能因此受損、斷裂或者造成反彈。
- ▶ 使用合適的偵測裝置偵察隱藏的電線，或者向當地的相關單位尋求支援。接觸電線可能引起火災並讓操作者觸電。若損壞瓦斯管會引起爆炸。鑿穿水管不僅會造成嚴重的財物損失，也可能導致觸電。

產品和功率描述



請詳讀所有安全注意事項和指示。如未遵守安全注意事項與指示，可能導致火災、人員遭受電擊及/或重傷。請留意操作說明書中最前面的圖示。

依規定使用機器

本機器可以在穩固的底墊上，進行切割、挖割。適用的材料包括木材、塑膠、金屬、陶片和橡膠等。本機器不僅可鋸直線，它還能鋸曲線，其最大斜鋸角可達 45°。請使用本公司推薦的鋸片片。

插圖上的機件

機件的編號和電動工具詳解圖上的編號一致。

- (1) 起停開關鎖扣
- (2) 起停開關
- (3) 衝擊次數設定轉鈕
- (4) 內六角扳手
- (5) 底座
- (6) 鋸屑噴吹開關
- (7) 振蕩調整桿

(8) 用以退出鋸片的 SDS 扳片

(9) 導引輪

(10) 鋸片^{A)}

(11) 防割傷裝置

(12) 把手（絕緣握柄）

(13) 鋸片接頭

(14) 防毛邊壓板^{A)}

(15) 吸塵保護遮罩

(16) 吸塵接管

(17) 吸塵管^{A)}

(18) 斜鋸角刻度尺

(19) 底座螺栓

(20) 平行擋塊的導軌

(21) 平行擋塊的止付螺絲^{A)}

(22) 附帶割圓輔助器的平行擋塊^{A)}

(23) 割圓輔助器的圓心尖端^{A)}

A) 圖表或說明上提到的配件，並不包含在基本的供貨範圍中。本公司的配件清單中有完整的配件供應項目。

技術性數據

線鋸機		GST 90 BE
產品機號		3 601 E8F 0..
衝擊次數調控		●
額定輸入功率	W	650
無負載轉速 n_0	min ⁻¹	500–3100
衝程	mm	26
最大鋸切深度		
– 在木材上	mm	90
– 在鋁材上	mm	20
– 在鋼材上（非合金）	mm	10
鋸角（左/右）最大	°	45
重量符合 EPTA-Procedure 01:2014	kg	2.6
絕緣等級		□/II

本說明書提供的參數是以 230 伏特為依據，於低電壓地區，此數據有可能不同。

安裝

- ▶ 維修電動工具或換裝零、配件之前，務必從插座上拔出插頭。

安裝/更換鋸片

- ▶ 安裝或更換嵌件工具時務必穿戴防護手套。嵌件工具極為銳利，而且長時間使用後可能發燙。

選擇鋸片

本說明書的最後面另外刊錄了建議使用之鋸片一覽表。僅能裝入單耳柄鋸片（T 柄鋸片）。鋸片長度不得超過預定鋸線。

在狹小的彎角上鋸切時應要使用窄型鋸片。

安裝鋸片 (請參考圖 A)

▶ 請於裝入前清潔鋸片柄部。柄部若髒污即無法牢固固定。

將 SDS 扳片 (8) 往前推到底，並將它固定在這個位置上不要鬆開。使鋸片 (10) 的鋸齒朝鋸切方向，然後將它推入，直至卡進鋸片接頭 (13) 內。

安裝鋸片時請注意：鋸片刀背要架在導引輪 (9) 的溝槽中。

▶ 檢查鋸片是否已經裝牢。鬆動的鋸刀可能掉落並造成您受傷。

卸下鋸片 (請參考圖 B)

將 SDS 扳片 (8) 往前推到底，然後取出鋸片 (10)。

防毛邊壓板 (請參考圖 C)

防毛邊壓板 (14) (配件) 可在鋸切木材時防止工件表面被扯裂。防毛邊壓板僅適用於特定種類的鋸片，且鋸角必須為 0°。使用防毛邊壓板進行鋸切時，不得將底座 (5) 往後移動在接近邊緣處進行鋸切。

從下方將防毛邊壓板 (14) 壓進底座 (5) 內。

吸除廢塵／料屑

含鉛顏料、部分木材種類、礦石和金屬的加工廢塵有害健康。機器操作者或施工現場附近的人員如果接觸、吸入這些廢塵，可能會引發過敏反應或感染呼吸道疾病。

某些塵埃 (例如加工橡木或山毛櫸的廢塵) 可能致癌，特別是與處理木材的添加劑 (例如木材的防腐劑等) 結合之後。唯有受過專業訓練的人才能夠進行含石棉物料的加工。

– 儘可能使用適合物料的吸塵裝置。

– 工作場所要保持空氣流通。

– 建議佩戴 P2 過濾等級的口罩。

請留意並遵守貴國的物料加工相關法規。

▶ 避免讓工作場所堆積過多的塵垢。塵埃容易被點燃。

保護遮罩 (請參考圖 D)

為本電動工具連接吸塵裝置之前，請先安裝保護遮罩 (15)。

將保護遮罩 (15) 套在電動工具上，使固定座卡入至防割傷裝置 (11) 上。

進行不需吸塵之作業或是進行斜鋸時，請取下保護遮罩 (15)。此時，請您將保護遮罩往前從防割傷裝置 (11) 上拔下。

連接吸塵裝置 (請參考圖 E-F)

將吸塵接管 (16) 插入底座的開口 (5) 內。

請注意：吸塵接管上的凸塊應如圖 E 所示，卡進電動工具的對應開口內。

將吸塵管 (17) (配件) 插到吸塵接管 (16) 上。將吸塵管 (17) 與吸塵器連接起來 (配件)。

本手冊於結尾處另外刊錄了連接不同類型吸塵器的操作概覽。

為確保獲取最佳吸塵效果，如有可能請儘量裝上防毛邊壓板 (14)。

若已連接吸塵裝置，請將鋸屑噴吹裝置關掉。

根據工件材質選擇合適的吸塵器。

吸集可能危害健康、可能致癌或乾燥的廢塵時，務必使用特殊吸塵器。

操作

操作模式

▶ 維修電動工具或換裝零、配件之前，務必從插座上拔出插頭。

調整振蕩功能

本機器有四個振蕩檔位，可根據加工物料適度調整鋸切速度、鋸切功率並產生最好的鋸切效果。

即使是在工具運作期間，亦可利用調整桿 (7) 調整振蕩。

檔位 0	無振蕩
檔位 I	小振蕩
檔位 II	中振蕩
檔位 III	大振蕩

需實際操作才能試出各種應用的理想振蕩檔位。以下設定建議僅供參考：

- 振蕩檔位越小，甚至是將振蕩功能完全關閉，鋸緣也就越細越乾淨。
- 加工薄片型材料時 (例如金屬片)，請關閉振蕩功能。
- 在硬質材料 (例如鋼材) 上作業時，請使用低檔振蕩。
- 鋸切軟質材料，或順著木紋鋸切木材時，您可將振蕩調至最大進行加工。

調整斜鋸角 (請參考圖 G)

底座 (5) 可往右或往左翻旋至最大 45°，以進行斜鋸。

進行斜鋸時，不可使用保護遮罩 (15)、吸塵接管 (16) 以及防毛邊壓板 (14)。

- 請將吸塵接管 (16) 稍微往下推，然後將它從底座 (5) 中拔出。
- 取下保護遮罩 (15) 和防毛邊壓板 (14)。
- 用內六角扳手 (4) 鬆開螺栓 (19)，將底座 (5) 輕輕往電源線方向推移。
- 底座左右兩側設有 0° 和 45° 的卡止點，可讓您精準設定斜鋸角。請依照刻度 (18) 將底座 (5) 移動至所需位置。此外也可以使用量角規設定其它角度。
- 接著再將底座 (5) 往鋸片 (10) 方向推到底。
- 將螺栓 (19) 重新旋緊。

移動底座 (請參考圖 G)

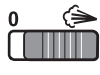
在接近邊緣處進行鋸切時，可將底座 (5) 往後移動。


鬆開螺栓 (19)，將底座 (5) 往電源線方向推到底。將螺栓 (19) 重新旋緊。

底座 (5) 移位後，僅能以 0° 斜鋸角進行鋸切。此外，也不得使用附帶割圓輔助器的平行擋塊 (22) (配件) 以及防毛邊壓板 (14)。

鋸屑噴吹裝置

利用鋸屑噴吹裝置的氣流，即可讓鋸切線保持乾淨，不會堆積塵屑。

 啟動鋸屑噴吹裝置：在塵屑生成量大的木材、塑膠等類似材料上進行加工時，請將開關 (6) 往吸塵接管方向推。

 關閉鋸屑噴吹裝置：當您在金屬材料上進行加工或是已連接吸塵裝置時，請將開關 (6) 往鋸片方向推。

操作機器

- ▶ 請注意電源電壓！電源的電壓必須和電動工具銘牌上標示的電壓一致。標示為 230 V 的電動工具亦可接上 220 V 電源。

啟動／關閉電源

- ▶ 請確定您不用放開把手，就能操作起停開關。
- 若要啟動電動工具：按下起停開關 (2)。
- 若要固定起停開關 (2) 的位置，請將它按住不放並同時將鎖扣 (1) 往右或往左推。
- 若要關閉電動工具，放開起停開關 (2) 即可。起停開關 (2) 的位置若是已被鎖定，請按一下該開關然後放開。

控制／設定衝擊次數

您可為已啟動的電動工具無段調控轉速，衝擊次數是由按壓起停開關 (2) 的深度而定。輕按起停開關 (2) 時，衝擊次數較少。按得越緊衝擊次數越多。起停開關 (2) 的位置被鎖定時，將無法調降衝擊次數。利用衝擊次數設定轉鈕 (3)，即可按照需求預設衝擊次數並於工具運作期間變更。正確的衝擊次數必須視工件物料和工作狀況而定。唯有實際操作才能找出最合適的衝擊次數。將鋸片放到工件上時以及鋸切塑膠、鋁片時，建議您降低衝擊次數。以較少的衝擊次數長時間加工後，電動工具會變得很熱。拆下鋸片，讓電動工具以最高衝擊次數運作 3 分鐘以加速冷卻。

作業注意事項

- ▶ 維修電動工具或換裝零、配件之前，務必從插座上拔出插頭。
- ▶ 如果鋸片被夾住了，請立刻關閉電動工具的電源。
- ▶ 鋸切小的或薄的工作件時必須使用牢固的墊架或者使用鋸臺 (配件)。

在鋸進木材、塑合板、建材等物的內部前，請先確認有無異物 (例如鐵釘、螺絲等)，如有必要請將它移除。

潛鋸 (請參考圖 H)

- ▶ 僅加工木材、石膏板等這類的軟性材料時可進行穿刺切割！

潛鋸時只能使用短型鋸片。僅能以 0° 斜鋸角進行潛鋸。

將電動工具的底座 (5) 前緣放到工件上，但不要讓鋸片 (10) 接觸到工件，然後啟動機器。如果電動工具備衝擊次數調控功能的話，必須選擇最高衝擊次數。用力地把電動工具壓向工件，並讓鋸片慢慢地潛入工件中。

待底座 (5) 完全貼靠在工件上的時候，便立刻沿著預計完工的鋸割線繼續鋸切。

附帶割圓輔助器的平行擋塊 (配件)

使用具有割圓輔助器的平行擋塊 (22) (配件) 時，工件厚度不可超過 30 mm。

平行鋸切 (請參考圖 I)：鬆開止付螺絲 (21)，然後沿著底座上的導軌 (20) 移動平行擋塊的刻度尺。根據刻度調整好所需鋸切寬度。旋緊止付螺絲 (21)。

割圓 (請參考圖 J)：沿著待鋸圓形內側的鋸割線上鑽孔，此孔的寬度應要足以讓鋸片穿過。用銼刀或銼刀加工鑽孔，使鋸片能夠對齊鋸割線。在平行擋塊的另一側上裝上止付螺絲 (21)。沿著底座上的導軌 (20) 移動平行擋塊的刻度尺。在挖鋸範圍的中央位置鑽孔。將圓心尖端 (23) 穿過平行擋塊的內側開口後，插進之前鑽出的鑽孔。根據底座內緣上的刻度調整好挖鋸範圍的半徑。旋緊止付螺絲 (21)。

冷卻劑／潤滑劑

鋸切金屬時由於物料會變熱，必須在鋸割線上塗抹冷卻劑或潤滑劑。

維修和服務

維修和清潔

- ▶ 維修電動工具或換裝零、配件之前，務必從插座上拔出插頭。
- ▶ 電動工具和通風口都必須保持清潔，這樣才能夠提高工作品質和安全性。

如果必須更換連接線，請務必交由 Bosch 或者經授權的 Bosch 電動工具顧客服務執行，以避免危害機器的安全性能。

定期清潔鋸片接頭。此時必須先從電動工具中拆下鋸片，並且在平坦表面上輕敲電動工具，以便抖落塵垢。

電動工具如果沾滿污垢，可能會影響機器性能。請勿從下方或從高於頭部的位置鋸切會生成大量粉塵的材料。

- ▶ 在某些極端操作環境下，如果有可能請務必使用吸塵裝備。時常將通氣孔上累積的塵垢噴吹乾淨，並在前端加設漏電斷路器 (PRCD)。加工金屬時電動工具內部可能堆積會導電的廢塵。這樣可能會影響電動工具的安全絕緣性能。

如果出屑口堵塞，請關閉電動工具、取下吸塵裝置並清除粉塵和碎屑。

適時地用一滴油潤滑導引輪 (9)。
定期檢查導引輪 (9)。如果確定導引輪已經損壞，必須把機器交給經過授權的 **Bosch** 客戶服務中心更換導引輪。

顧客服務處和顧客諮詢中心

本公司顧客服務處負責回答有關本公司產品的維修、維護和備用零件的問題。以下的網頁中有分解圖和備用零件相關資料：www.bosch-pt.com
如果對本公司產品及其配件有任何疑问，博世應用諮詢小組很樂意為您提供協助。
當您需要諮詢或訂購備用零件時，請務必提供本產品型號銘牌上 10 位數的產品機號。

中國香港和澳門特別行政區

羅伯特·博世有限公司
香港北角英皇道625號21樓
客戶服務熱線：+852 2101 0235
傳真：+852 2590 9762
電子郵件：info@hk.bosch.com
www.bosch-pt.com.hk

台灣

台灣羅伯特博世股份有限公司
建國北路一段90號6樓
台北市10491
電話：(02) 7734 2588
傳真：(02) 2516 1176
www.bosch-pt.com.tw

制造商地址：

Robert Bosch Power Tools GmbH
羅伯特·博世電動工具有限公司
70538 Stuttgart / GERMANY
70538 斯圖加特/德國

廢棄物處理

必須以符合環保的方式，回收再利用損壞的機器、配件和廢棄的包裝材料。



不可以把電動工具丟入一般的家庭垃圾中。

ไทย

คำเตือนเพื่อความปลอดภัย

คำเตือนเพื่อความปลอดภัยทั่วไปสำหรับเครื่องมือไฟฟ้า

คำเตือน อ่านคำเตือนเพื่อความปลอดภัย คำแนะนำ ภาพประกอบ และข้อมูล

จำเพาะทั้งหมดที่จัดส่งมาพร้อมกับเครื่องมือไฟฟ้า

การไม่ปฏิบัติตามคำแนะนำทั้งหมดที่ระบุไว้ด้านล่างนี้อาจทำให้ถูกไฟฟ้าดูด เกิดไฟไหม้ และ/หรือได้รับบาดเจ็บอย่างร้ายแรง

เก็บรักษาค่าเตือนและคำสั่งทั้งหมดสำหรับเปิดอ่านในภายหลัง

คำว่า "เครื่องมือไฟฟ้า" ในคำเตือนหมายถึง เครื่องมือไฟฟ้าของทานที่ทำงานด้วยพลังงานไฟฟ้าจากแหล่งจ่ายไฟหลัก (มีสายไฟฟ้า) และเครื่องมือไฟฟ้าที่ทำงานด้วยพลังงานไฟฟ้าจากแบตเตอรี่ (ไร้สาย)

ความปลอดภัยในสถานที่ทำงาน

- ▶ **รักษาสถานที่ทำงานให้สะอาดและมีไฟส่องสว่างดี**
สถานที่ที่มีมืดหรืออครังรังนามาซึ่งอุบัติเหตุ
- ▶ **อย่าใช้เครื่องมือไฟฟ้าทำงานในสภาพบรรยากาศที่จุดติดไฟได้ เช่น ในที่ที่มีของเหลวไวไฟ ก๊าซ หรือฝุ่น**
เมื่อใช้เครื่องมือไฟฟ้าจะเกิดประกายไฟซึ่งอาจจุดฝุ่นหรือไอให้ลุกเป็นไฟได้
- ▶ **ขณะใช้เครื่องมือไฟฟ้าทำงาน ต้องกันเด็กและผู้ยืนดูให้ออกห่าง**
การหันเหความสนใจอาจทำให้ท่านขาดการควบคุมเครื่องได้

ความปลอดภัยเกี่ยวกับไฟฟ้า

- ▶ **ปลั๊กของเครื่องมือไฟฟ้าต้องเหมาะสมกับเต้าเสียบ**
อย่าตัดแปลงปลั๊กไม่ว่าในลักษณะใดๆ อย่างเด็ดขาด
อย่าใช้ปลั๊กฟ่วงต่อใดๆ กับเครื่องมือไฟฟ้าที่มีสายดิน
ปลั๊กที่ไม่ตัดแปลงและเต้าเสียบที่เข้ากันช่วยลดความเสี่ยงจากการถูกไฟฟ้าดูด
- ▶ **หลีกเลี่ยงอย่าให้ร่างกายสัมผัสกับพื้นผิวที่ต่อสายดินหรือลงกราวด์ไว้ เช่น ท่อ เครื่องทำความร้อน เต้า และตู้เย็น**
จะเสี่ยงอันตรายจากการถูกไฟฟ้าดูดมากขึ้นหากกระแสไฟฟ้าวิ่งผ่านร่างกายของท่านลงดิน
- ▶ **อย่าให้เครื่องมือไฟฟ้าถูกฝนหรืออยู่ในสภาพเปียกชื้น**
หากน้ำเข้าในเครื่องมือไฟฟ้า จะเพิ่มความเสี่ยงจากการถูกไฟฟ้าดูด
- ▶ **อย่าใช้สายไฟฟ้าในทางที่ผิด** อย่าใช้สายไฟฟ้าเพื่อยก ding หรือถอดปลั๊กเครื่องมือไฟฟ้า กันสายไฟฟ้าออกจากจากความร้อน น้ำมัน ขอบแหลมคม หรือชิ้นส่วนที่เคลื่อนที่ สายไฟฟ้าที่ชำรุดหรือพันกันยุ่งเพิ่มความเสี่ยงจากการถูกไฟฟ้าดูด
- ▶ **เมื่อใช้เครื่องมือไฟฟ้าทำงานกลางแจ้ง ให้ใช้สายไฟ**
ต่อที่เหมาะสมสำหรับการใช้งานกลางแจ้ง การใช้สายไฟต่อที่เหมาะสมสำหรับงานกลางแจ้ง การใช้สายไฟต่อช่วยลดอันตรายจากการถูกไฟฟ้าดูด

- ▶ หากไม่สามารถหลีกเลี่ยงการใช้เครื่องมือไฟฟ้าทำงานในสถานที่เปียกชื้นได้ ให้ใช้สวิตช์ตัดวงจรเมื่อเกิดการรั่วไหลของไฟฟ้าจากสายดิน (RCD) การใช้สวิตช์ตัดวงจรเมื่อเกิดการรั่วไหลของไฟฟ้าจากสายดินช่วยลดความเสี่ยงต่อการถูกไฟฟ้าดูด

ความปลอดภัยของบุคคล

- ▶ ท่านต้องอยู่ในสภาพเตรียมพร้อม ระมัดระวังในสิ่งที่ท่านกำลังทำอยู่ และมีสติขณะใช้เครื่องมือไฟฟ้าทำงาน อย่าใช้เครื่องมือไฟฟ้าขณะที่ท่านกำลังเหนื่อย หรืออยู่ภายใต้การครอบงำของฤทธิ์ของยาเสพติด แอลกอฮอล์ และยา เมื่อใช้เครื่องมือไฟฟ้าทำงานในขั้นงานที่ท่านขาดความเอาใจใส่อาจทำให้บุคคลบาดเจ็บอย่างรุนแรงได้
- ▶ ใช้อุปกรณ์ป้องกันร่างกาย สวมแว่นตาป้องกันเสมอ อุปกรณ์ปกป้อง เช่น หน้ากากกันฝุ่น รองเท้ากันลื่น หมวกแข็ง หรืออุปกรณ์กันเสียงดังที่เข้าตามความเหมาะสมกับสภาพการทำงาน จะลดการบาดเจ็บทางร่างกาย
- ▶ ป้องกันการติดเครื่องโดยไม่ตั้งใจ ตรวจสอบให้แน่ใจว่าสวิตช์อยู่ในตำแหน่งปิดก่อนเชื่อมต่อกับแหล่งจ่ายไฟ และ/หรือแบตเตอรี่เพื่อ ยกหรือถือเครื่องมือถือเครื่องโดยใช้นิ้วหัวที่สวิตช์ หรือเสียบปลั๊กไฟฟ้ายกขณะที่สวิตช์เปิดอยู่ อาจนำไปสู่อุบัติเหตุที่ร้ายแรงได้
- ▶ นำเครื่องมือปรับแต่งหรือประแจปากคายนอกก่อนเปิดสวิตช์เครื่องมือไฟฟ้า เครื่องมือหรือประแจปากคายนที่วางอยู่กับส่วนของเครื่องที่กำลังหมุนจะทำให้บุคคลบาดเจ็บได้
- ▶ อย่าเอื้อมไกลเกินไป ตั้งทำขึ้นที่มั่นคงและวางน้ำหนักให้สมดุลตลอดเวลา ในลักษณะที่ท่านสามารถควบคุมเครื่องมือไฟฟ้าในสถานการณ์ที่ไม่คาดคิดได้ดีกว่า
- ▶ แต่งกายอย่างเหมาะสม อย่าใส่เสื้อผ้าหลวมหรือสวมเครื่องประดับ เข็มและเสื้อผ้าออกห่างจากชิ้นส่วนที่เคลื่อนที่ เสื้อผ้าหลวม เครื่องประดับ และผมยาวอาจเข้าไปติดในชิ้นส่วนที่เคลื่อนที่
- ▶ หากเครื่องมือไฟฟ้ามีข้อเชื่อมต่อกับเครื่องดูดฝุ่นหรือเครื่องเก็บผง ให้ตรวจสอบให้แน่ใจว่าได้เชื่อมต่อและใช้งานอย่างถูกต้อง การใช้อุปกรณ์ดูดฝุ่นช่วยลดอันตรายที่เกิดจากฝุ่นได้
- ▶ เมื่อใช้งานเครื่องมือบ่อยครั้งจะเกิดความคุ้นเคย อย่าให้ความคุ้นเคยทำให้ท่านเกิดความชะล่าใจและละเลยกฎเกณฑ์ด้านความปลอดภัยในการใช้งานเครื่อง การทำงานอย่างไม่มีระมัดระวังอาจทำให้เกิดการบาดเจ็บอย่างร้ายแรงภายในเสี้ยววินาที

การใช้และการดูแลรักษาเครื่องมือไฟฟ้า

- ▶ อย่างผินกำลังเครื่องมือไฟฟ้า ใช้เครื่องมือไฟฟ้าที่ถูกตั้งตรงตามลักษณะงานของท่าน เครื่องมือไฟฟ้าที่ถูกต้องจะทำงานได้ดีกว่าและปลอดภัยกว่าในระดับสมรรถภาพที่ออกแบบไว้
- ▶ อย่าใช้เครื่องมือไฟฟ้าถ้าสวิตช์ไม่สามารถเปิดปิดได้ เครื่องมือไฟฟ้าที่ไม่สามารถควบคุมการเปิดปิดด้วยสวิตช์ได้ เป็นเครื่องมือไฟฟ้าที่ไม่ปลอดภัยและต้องส่งซ่อมแซม
- ▶ ก่อนปรับแต่งเครื่อง เปลี่ยนอุปกรณ์ประกอบ หรือเก็บเครื่องเข้าที่ ต้องถอดปลั๊กออกจากเครื่องมือไฟฟ้าหากถอดออกได้ มาตรการป้องกันเพื่อความปลอดภัยนี้ช่วยลดความเสี่ยงจากการติดเครื่องโดยไม่ตั้งใจ
- ▶ เมื่อเลิกใช้งานเครื่องมือไฟฟ้า ให้เก็บเครื่องมือไว้ในที่ที่เด็กหยิบไม่ถึง และไม่อนุญาตให้บุคคลที่ไม่คุ้นเคยกับเครื่องหรือบุคคลที่ไม่ได้อ่านคำแนะนำเหล่านี้ใช้เครื่องเครื่องมือไฟฟ้าเป็นของอันตรายหากตกอยู่ในมือของผู้ใช้ที่ไม่ได้รับการฝึกฝน
- ▶ บำรุงรักษาเครื่องมือไฟฟ้าและอุปกรณ์ประกอบ ตรวจสอบชิ้นส่วนที่เคลื่อนที่ที่วางไม่ตรงแนวหรือติดขัดหรือไม่ ตรวจสอบการแตกหักของชิ้นส่วนและสภาพอื่นใดที่อาจมีผลต่อการทำงานของเครื่องมือไฟฟ้า หากชำรุดต้องส่งเครื่องมือไฟฟ้าไปซ่อมแซมก่อนใช้งาน อุบัติเหตุหลายอย่างเกิดขึ้นเนื่องจากดูแลรักษาเครื่องไม่ดีพอ
- ▶ รักษาเครื่องมือตัดให้คมและสะอาด หากบำรุงรักษาเครื่องมือที่มีขอบตัดแหลมคมอย่างถูกต้องจะสามารถตัดได้ลื่นไม่ติดขัดและควบคุมได้ง่ายกว่า
- ▶ ใช้เครื่องมือไฟฟ้า อุปกรณ์ประกอบ เครื่องมือ และอุปกรณ์อื่นๆ ตรงตามคำแนะนำเหล่านี้ โดยคำนึงถึงเงื่อนไขการทำงานและงานที่จะทำ การใช้เครื่องมือไฟฟ้าทำงานที่ต่างไปจากวัตถุประสงค์การใช้งานของเครื่อง อาจนำไปสู่สถานการณ์ที่เป็นอันตรายได้
- ▶ ดูแลด้ามจับและพื้นผิวจับให้แห้ง สะอาด และปราศจากคราบน้ำมันและจาระบี ด้ามจับและพื้นผิวจับที่ลื่นทำให้หยิบจับได้ไม่ปลอดภัย และไม่สามารถควบคุมเครื่องมือในสถานการณ์ที่ไม่คาดคิด

การบริการ

- ▶ ส่งเครื่องมือไฟฟ้าของท่านเข้ารับบริการจากช่างซ่อมที่มีคุณสมบัติเหมาะสม โดยใช้ขอใบที่เหมือนกันเท่านั้น ในลักษณะที่ท่านจะแน่ใจได้ว่าเครื่องมือไฟฟ้าอยู่ในสภาพที่ปลอดภัย

คำเตือนเพื่อความปลอดภัยสำหรับเลื่อยฉลุ

- ▶ เมื่อทำงานในบริเวณที่อุปกรณ์ตัดอาจสัมผัสสายไฟฟ้าที่ซ่อนอยู่หรือสายไฟฟ้าของตัวเอง ต้องจับเครื่องมือไฟฟ้าตรงพื้นผิวจับที่หุ้มฉนวน หากอุปกรณ์ตัดสัมผัสสายที่ "มีกระแสไฟฟ้า" ไหลผ่าน จะทำให้ชิ้นส่วนโลหะที่ไม่ได้หุ้มฉนวนของเครื่องมือไฟฟ้าเกิด "มีกระแสไฟฟ้า" ด้วย และส่งผลให้ผู้ใช้งานเครื่องถูกไฟฟ้าดูดได้
- ▶ ใช้เครื่องหนีบหรือวิธีอื่นที่ได้ผลเพื่อยึดและหนุนชิ้นงานกับแท่นที่มั่นคง การจับชิ้นงานด้วยมือหรือยื่นไว้กับร่างกายจะไม่มั่นคง และอาจทำให้สูญเสียการควบคุมได้
- ▶ เอามือออกจากบริเวณแนวเลื่อย อย่าเอื้อมมือเข้าใต้ชิ้นงาน การสัมผัสกับใบเลื่อยจะทำให้บาดเจ็บได้
- ▶ จับเครื่องมือไฟฟ้าเข้าหาชิ้นงานเมื่อเครื่องเปิดสวิตช์อยู่เท่านั้น มิฉะนั้นอาจได้รับอันตรายจากการตีกลับหากเครื่องมือตัดติดขัดอยู่ในชิ้นงาน
- ▶ ตรวจสอบให้แน่ใจว่าขณะเลื่อยได้วางแผ่นฐานไว้อย่างมั่นคง ใบเลื่อยที่ติดขัดอาจแตกหัก หรือทำให้เกิดการตีกลับได้
- ▶ เมื่อเสร็จสิ้นการทำงาน ให้ปิดสวิตช์เครื่องมือไฟฟ้าและดึง ใบเลื่อยออกจากร่องตัดเมื่อ ใบเลื่อยหยุดนิ่งอยู่กับที่แล้วเท่านั้น ในลักษณะนี้ท่านสามารถหลีกเลี่ยงการตีกลับ และวางเครื่องลงได้อย่างปลอดภัย
- ▶ รอให้เครื่องมือไฟฟ้าหยุดสนิทก่อนวางเครื่องลงบนพื้น เครื่องมือที่ปล่อยอาจติดขัดและทำให้สูญเสียการควบคุมเครื่องมือไฟฟ้า
- ▶ ใช้เฉพาะ ใบเลื่อยที่ไม่ชำรุดและมีสภาพที่สมบูรณ์เท่านั้น ใบเลื่อยที่ทื่อหรือบิดงอสามารถแตกหัก ส่งเสียงเข็งลมต่อการตัด หรือทำให้เกิดการตีกลับได้
- ▶ หลังปิดสวิตช์ อย่าเบรคใบเลื่อยให้หยุดวิ่งโดยการกดลงด้านข้าง ใบเลื่อยอาจชำรุด แตกหัก หรือทำให้เกิดการตีกลับได้
- ▶ ใช้เครื่องตรวจจับที่เหมาะสมเพื่อตรวจหาสายไฟฟ้าหรือท่อสาธารณูปโภคที่อาจซ่อนอยู่ในบริเวณทำงานหรือติดต่อบริษัทสาธารณูปโภคในพื้นที่เพื่อขอความช่วยเหลือ การสัมผัสกับสายไฟฟ้าอาจทำให้เกิดไฟไหม้หรือถูกไฟฟ้าดูด การทำให้ท่อแก๊ซเสียหายอาจทำให้เกิดระเบิด การเจาะเข้าไปในท่อทำให้ทรัพย์สินเสียหาย หรืออาจเป็นเหตุให้ถูกไฟฟ้าดูดได้

รายละเอียดผลิตภัณฑ์และข้อมูล

จำเพาะ



อ่านคำเตือนเพื่อความปลอดภัยและคำแนะนำทั้งหมด การไม่ปฏิบัติตามคำเตือนและคำสั่งอาจเป็นสาเหตุให้ถูกไฟฟ้าดูด เกิดไฟไหม้ และ/หรือได้รับบาดเจ็บอย่างร้ายแรง

กรุณาดูภาพประกอบในส่วนหน้าของคู่มือการใช้งาน

ประโยชน์การใช้งานของเครื่อง

เครื่องนี้ใช้สำหรับตัดไม้ พลาสติก โลหะ แผ่นเซรามิก และยาง เพื่อแยกส่วนออกจากกันและเพื่อตัดออก โดยต้องวางเครื่องอย่างมั่นคงลงบนชิ้นงาน เครื่องนี้เหมาะสำหรับตัดแนวตรงและตัดรูปโค้งที่มีมุมมากได้ถึง 45° อ่านและปฏิบัติตามคำแนะนำเกี่ยวกับใบเลื่อย

ส่วนประกอบที่แสดงภาพ

ลำดับเลขของส่วนประกอบผลิตภัณฑ์อ้างอิงถึงส่วนประกอบของเครื่องที่แสดงในหน้าภาพประกอบ

- (1) บุ่มล็อคเครื่องทำงานสำหรับสวิตช์เปิด-ปิด
- (2) สวิตช์เปิด-ปิด
- (3) บุ่มเลือกความเร็วขับเคลื่อนชักลวงหน้า
- (4) ประแจขันหกเหลี่ยม
- (5) แผ่นฐาน
- (6) สวิตช์ เครื่องเป่าซีเลื่อย
- (7) คันโยกสำหรับปรับการเตะ
- (8) ก้าน SDS สำหรับปลดใบเลื่อย
- (9) หัวจับใบเลื่อย
- (10) ใบเลื่อย^{A)}
- (11) กันชน
- (12) ด้ามจับ (พื้นผิวจับหุ้มฉนวน)
- (13) ที่จับใบเลื่อย
- (14) แผ่นป้องกันการฉีกที่ผิววัสดุ^{A)}
- (15) ฝาครอบสำหรับดูดฝุ่น
- (16) ท่อดูดฝุ่น
- (17) ท่อดูดฝุ่น^{A)}
- (18) มาตรฐานลมมุมมาก
- (19) สกรู แผ่นฐาน
- (20) ช่องนำแผ่นนำเลื่อยแบบขนาน

- (21) สกรูล็อคตัวนำเลื่อยแบบขนาน^{A)}
 (22) แผ่นนำเลื่อยแบบขนานพร้อมอุปกรณ์ตัดตัววงกลม^{A)}
 (23) ตัวหมายศูนย์ของอุปกรณ์ตัดตัววงกลม^{A)}

A) อุปกรณ์ประกอบที่แสดงภาพหรืออธิบายไม่รวมอยู่ในการจัดส่งมาตรฐาน
 กรุณาดูอุปกรณ์ประกอบทั้งหมดในรายการแสดงอุปกรณ์ประกอบของเรา

ข้อมูลทางเทคนิค

เลื่อยฉลุ	GST 90 BE	
หมายเลขสินค้า		3 601 E8F 0..
การควบคุมอัตราขยับชัก		●
กำลังไฟฟ้าที่กัดด้านเข้า	วัตต์	650
อัตราขยับชักเดินตัวเปล่า n_0	min ⁻¹	500-3100
ระยะช่วงชัก	มม.	26
ความลึกการตัด สูงสุด		
- ในไม้	มม.	90
- ในอะลูมิเนียม	มม.	20
- ในเหล็กกล้า (ไม่เจือ)	มม.	10
การตัดมุม (ซ้าย/ขวา)	°	45
สูงสุด		
น้ำหนักตามระเบียบการ EPTA-Procedure 01:2014	กก.	2,6
ระดับความปลอดภัย		□/

ค่าที่ให้นี้ใช้ได้กับแรงดันไฟฟ้าอนินอล [U] 230 โวลต์ค่าเหล่านี้ อาจเปลี่ยนแปลงไปสำหรับแรงดันไฟฟ้าที่แตกต่างกัน และโมเดลที่ผลิตสำหรับเฉพาะประเทศ

การติดตั้ง

- ▶ ดึงปลั๊กไฟออกจากเต้าเสียบก่อนปรับแต่งเครื่อง

การใส่/การเปลี่ยนใบเลื่อย

- ▶ เมื่อติดตั้งหรือเปลี่ยนเครื่องมือ ต้องสวมถุงมือป้องกัน เครื่องมือมีความคมและอาจร้อนขึ้นเมื่อใช้งานเป็นเวลานาน

การเลือกใบเลื่อย

กรุณาดูภาพรวมของใบเลื่อยที่แนะนำที่ปรากฏอยู่ตอนท้ายของคู่มือเล่มนี้ ให้ใช้เฉพาะใบเลื่อยที่มีก้านรูเดียว

(T shank) เท่านั้น ใบเลื่อยควรมีขนาดยาวกว่าความหนาของการตัดที่ต้องการเพียงเล็กน้อยเท่าที่จำเป็น ใช้ใบเลื่อยบางเมื่อตัดโค้งแคบ

การใส่ใบเลื่อย (ดูภาพประกอบ A)

- ▶ **ทำความสะอาดก้านของใบเลื่อยก่อนใส่** ก้านที่สกปรกไม่สามารถยึดได้อย่างแน่นหนา

ดันก้าน SDS (8) ไปข้างหน้าจนสุดและกดค้ำงไว้ หันฟันเลื่อยให้อยู่ในทิศทางตัดและดันใบเลื่อย (10) เข้าในที่จับใบเลื่อย (13) จนขบเข้าล็อค

ขณะใส่ใบเลื่อยให้ตรวจสอบให้แน่ใจว่าส่วนหลังใบเลื่อยอยู่ในร่องของหัวจับใบเลื่อย (9)

- ▶ **ตรวจสอบให้ใบเลื่อยเข้าอย่างมั่นคง** ใบเลื่อยที่ใส่ไว้หลวมๆ อาจหล่นออกมาและทำให้บาดเจ็บได้

การถอดใบเลื่อย (ดูภาพประกอบ B)

ดันก้าน SDS (8) ไปข้างหน้าจนสุดและถอดใบเลื่อย (10) ออก

แผ่นป้องกันการฉีกที่ผิววัสดุ (ดูภาพประกอบ C)

แผ่นป้องกันการฉีกที่ผิววัสดุ (14) (อุปกรณ์ประกอบ) สามารถป้องกันไม่ให้ผิววัสดุลู่เป็นฝอยขณะเลื่อยไม้ แผ่นป้องกันการฉีกที่ผิววัสดุใช้ได้กับใบเลื่อยบางประเภทเท่านั้น และยังใช้ได้เฉพาะสำหรับการตัดมุม 0° เท่านั้น เมื่อเลื่อยโดยใช้แผ่นป้องกันการฉีกที่ผิววัสดุร่วมด้วย ไม่ต้องเลื่อนแผ่นฐาน (5) ไปด้านหลังสำหรับการตัดขีดขอบ กัดแผ่นป้องกันการฉีกที่ผิววัสดุ (14) จากด้านล่างเข้าไปในแผ่นฐาน (5)

การดูแล/ซีล

ฝุ่นที่ได้จากวัสดุ เช่น เคลือบผิวที่มีสารตะกั่ว ไม้ยางประเภทเรซิน และโลหะ อาจเป็นอันตรายต่อสุขภาพ การสัมผัสหรือการหายใจเอาฝุ่นเข้าไปอาจทำให้เกิดปฏิกิริยาแพ้ฝุ่น และ/หรือนำมาซึ่งโรคติดเชื้อระบบหายใจแฉกฝุ่น ไซ้เครื่องหรือผู้ที่ยืนอยู่ใกล้เคียง ฝุ่นบางประเภท เช่น ฝุ่นไม้โอ๊ก หรือไม้บีช นับเป็นสารที่ทำให้เกิดมะเร็ง โดยเฉพาะอย่างยิ่งเมื่อผสมกับสารเติมแต่งเพื่อบำบัดไม้ (โครเมต ผลิตภัณฑ์รักษาเนื้อไม้) สำหรับวัสดุที่มีแอลเบทอลต้องให้ผู้เชี่ยวชาญทำงานเท่านั้น

- ใช้ระบบดูดฝุ่นออกที่เหมาะสมกับประเภทวัสดุ มากเท่าที่จะทำได้
- จัดสถานที่ทำงานให้มีการระบายอากาศที่ดี
- ขอแนะนำให้สวมหน้ากากป้องกันการติดเชื้อที่มีระดับ-ใส่กรอง P2

ปฏิบัติตามกฎข้อบังคับสำคัญอื่นๆ ที่เกี่ยวกับวัสดุชิ้นงานที่บังคับใช้ในประเทศของท่าน

- ▶ **ป้องกันการสะสมของฝุ่นในสถานที่ทำงาน**
ฝุ่นสามารถถูกไหม้อย่างง่ายดายตาย

ฝากรอบ (ดูภาพประกอบ D)

ติดตั้งฝากรอบ (15) ก่อนเชื่อมต่อเครื่องมือไฟฟ้าเข้ากับอุปกรณ์ดูดฝุ่น

สวมฝากรอบ (15) เข้าบนเครื่องมือไฟฟ้าในลักษณะให้ตัวยึดชนเข้าด้วยกันชน (11)

ถอดฝากรอบ (15) ออกเมื่อทำงานโดยไม่มีอุปกรณ์ดูดฝุ่น และเมื่อตัดมุมมาก เมื่อต้องการถอดให้ดึงฝากรอบไปข้างหน้าออกจากกันชน (11)

การเชื่อมต่ออุปกรณ์ดูดฝุ่น (ดูภาพประกอบ E-F)

สวมท่อต่อดูดฝุ่น (16) เข้าในช่องใส่ของแผ่นฐาน (5)

ตรวจสอบให้แน่ใจว่าร่องหยักบนท่อต่อดูดฝุ่นชนเข้าในช่องใส่ที่สอดคล้องกันของเครื่องมือไฟฟ้าดังแสดงในภาพประกอบ E

เสียบท่อดูดฝุ่น (17) (อุปกรณ์ประกอบ) เข้าบนท่อต่อดูดฝุ่น (16) เชื่อมต่อท่อดูดฝุ่น (17) เข้ากับเครื่องดูดฝุ่น (อุปกรณ์ประกอบ)

ดูภาพรวมการเชื่อมต่อกับเครื่องดูดฝุ่นต่างๆ ได้ที่ตอนท้ายของคู่มือการใช้งานฉบับนี้

เพื่อให้ดูดฝุ่นได้อย่างมีประสิทธิภาพสูงสุด ให้ติดตั้งแผ่นป้องกันการฉีกที่ผิววัสดุ (14) หากเป็นไปได้

ปิดสวิตช์เครื่องเป่าซีลเมื่อมีอุปกรณ์ดูดฝุ่นเชื่อมต่ออยู่ เครื่องดูดฝุ่นต้องมียุทธศาสตร์การใช้งานที่เหมาะสมกับประเภทวัสดุชิ้นงาน

ในกรณีดูดฝุ่นแห้งที่เป็นอันตรายต่อสุขภาพอย่างยิ่งหรืออาจก่อให้เกิดมะเร็งได้ ให้ใช้เครื่องดูดฝุ่นพิเศษ

การปฏิบัติงาน

รูปแบบการทำงาน

- ▶ **ดึงปลั๊กไฟออกจากเต้าเสียบก่อนปรับแต่งเครื่อง**

การตั้งการเตะ

การเตะตั้งได้สี่ขั้น ทำให้สามารถปรับความเร็วการตัดประสิทธิภาพการตัด และแบบการตัดให้เหมาะกับวัสดุชิ้นงานได้ดีที่สุด

ท่านสามารถตั้งการเตะได้ด้วยคันโยก (7) และสามารถล๊อคคันโยกได้แม้ขณะเครื่องกำลังทำงานอยู่

ขั้น 0	ไม่เตะ
ขั้น I	เตะน้อย
ขั้น II	เตะปานกลาง
ขั้น III	เตะมาก

ขั้นการเตะที่ดีที่สุดสำหรับงานตัดแต่ละงาน สามารถกำหนดได้จากการฝึกปฏิบัติ ท่านสามารถทำตามคำแนะนำต่อไปนี้:

- ยิ่งต้องการให้ได้ขอบตัดที่ละเอียดและสะอาดเพียงใด ยิ่งต้องเลือกการเตะขั้นที่น้อยลง (หรือปิดสวิตช์การเตะ)
- สำหรับวัสดุบาง (ต. ย. เช่น โลหะแผ่น) ให้ปิดสวิตช์การเตะ
- สำหรับวัสดุแข็ง เช่น เหล็ก ให้เลื่อยด้วยขั้นการเตะน้อย
- สำหรับวัสดุนิ่ม และเมื่อเลื่อยตามทิศลายไม้ ให้เลื่อยด้วยขั้นการเตะมากที่สุด

การปรับมุมมาก (ดูภาพประกอบ G)

แผ่นฐาน (5) สามารถเอียงซ้ายหรือขวาได้ถึง 45° เพื่อตัดมุมมาก

เมื่อตัดมุมมากจะไม่สามารถนำฝากรอบ (15) ท่อต่อดูดฝุ่น (16) และแผ่นป้องกันการฉีกที่ผิววัสดุ (14) มาใช้ร่วมด้วย

- กดท่อต่อดูดฝุ่น (16) ลงเล็กน้อยและดึงออกจากแผ่นฐาน (5)
- ถอดฝากรอบ (15) และแผ่นป้องกันการฉีกที่ผิววัสดุ (14) ออก
- คลายสกรู (19) ออกด้วยประแจขันทกเหลี่ยม (4) และเลื่อนแผ่นฐาน (5) ไปทางสายไฟฟ้าเล็กน้อย
- บนแผ่นฐานมีร่องบางทั้งซ้ายและขวาที่ 0° และ 45° เพื่อใช้ปรับมุมมากให้ได้เที่ยงตรง หมุนแผ่นฐาน (5) ตามมาตรวัด (18) ไปยังตำแหน่งที่ต้องการ มุมมากอื่นๆ สามารถปรับได้โดยใช้ไมโครเมตรเตอร์
- จากนั้นเลื่อนแผ่นฐาน (5) ไปทางใบเลื่อย (10) จนสุด
- ขันสกรู (19) กลับเข้าให้แน่น

การเลื่อนแผ่นฐาน (ดูภาพประกอบ G)

เมื่อต้องการเลื่อยขีดขอบ สามารถเลื่อนแผ่นฐาน (5) ไปด้านหลังได้


คลายสกรู (19) ออกและเลื่อนแผ่นฐาน (5) ไปทางสายไฟฟ้าจนสุด


ขันสกรู (19) กลับเข้าให้แน่น

เมื่อแผ่นฐาน (5) ถูกเลื่อนแล้ว จะสามารถเลื่อยได้เมื่อตั้งมุมมากไว้ที่ตำแหน่ง 0° เท่านั้น นอกจากนี้ยังสามารถนำแผ่นนำเลื่อยแบบขนานพร้อมอุปกรณ์ตัดวงกลม (22) (อุปกรณ์ประกอบ) และแผ่นป้องกันการฉีกที่ผิววัสดุ (14) มาใช้ร่วมด้วย

เครื่องเป่าซีล

กระแสลมจากเครื่องเป่าซีลจะทำให้ตรงรอยตัดปราศจากผงฝุ่นและซีล

 เปิดสวิตช์เครื่องเป่าซีลือ: เลื่อนสวิตช์ (6) ไปทางทอต่อตุ่มเมื่อเลือกวัสดุที่มีเศษผงมาก เช่น ไม้ พลาสติก ฯลฯ

 ปิดสวิตช์เครื่องเป่าซีลือ: เลื่อนสวิตช์ (6) ไปทางใบเลื่อยเมื่อเลื่อยโลหะและเมื่อมีอุปกรณ์ตุ่มเชื่อมตออยู่

การเริ่มต้นปฏิบัติงาน

- ▶ **ให้สังเกตแรงดันไฟฟ้า! แรงดันไฟฟ้าจากแหล่งจ่ายไฟฟ้าต้องมีค่าตรงกับค่าแรงดันไฟฟ้าที่ระบุไว้บนแผ่นป้ายพิกัดเครื่อง เครื่องมือไฟฟ้าที่มีเครื่องหมาย 230 โวลท์ สามารถใช้งานกับ 220 โวลท์ ได้ด้วย**

การเปิด-ปิดเครื่อง

- ▶ **ตรวจสอบให้แน่ใจว่าท่านสามารถใช้งานสวิตช์เปิด-ปิดได้โดยไม่ต้องปล่อยคัมจับ**

เปิดสวิตช์เครื่องมือไฟฟ้าโดยกดสวิตช์เปิด-ปิด (2)

ล็อคสวิตช์เปิด-ปิด (2) โดยกดสวิตช์ข้างไว้และดันปุ่มล็อค (1) ไปทางซ้ายหรือทางขวา

ปิดสวิตช์เครื่องมือไฟฟ้าโดยปล่อยนิ้วจากสวิตช์เปิด-ปิด (2) หากสวิตช์เปิด-ปิด (2) ถูกล็อคไว้ ให้กดสวิตช์ก่อน แล้วจึงปล่อยนิ้ว

การควบคุม/การตั้งความเร็วขยับชักล่วงหน้า

ท่านสามารถควบคุมความเร็วขยับชักของเครื่องมือไฟฟ้าที่เปิดสวิตช์ไว้ได้อย่างต่อเนื่อง โดยเพิ่มหรือลดแรงกดบนสวิตช์เปิด-ปิด (2)

เมื่อกดบนสวิตช์เปิด-ปิด (2) เบาๆ จะได้ความเร็วขยับชักต่ำ ถ้ากดแรงขึ้น ความเร็วขยับชักก็จะเพิ่มขึ้นด้วย

หากสวิตช์เปิด-ปิด (2) ถูกล็อคไว้ จะไม่สามารถลดความเร็วขยับชักได้

สามารถตั้งความเร็วขยับชักล่วงหน้าด้วยปุ่มเลือกความเร็วขยับชักล่วงหน้า (3) และเปลี่ยนค่าไคระยะเครื่องกำลังเดินอยู่

เกณฑ์จังหวะขยับชักที่ต้องใช้ขึ้นอยู่กับประเภทวัสดุชิ้นงานและเงื่อนไขการทำงาน การทดลองภาคปฏิบัติจะช่วยให้ได้เกณฑ์จังหวะที่ดีที่สุด

ขอแนะนำให้ลดอัตราขยับชักลงขณะใบเลื่อยขบเข้าในวัสดุชิ้นงาน และเมื่อเลื่อยพลาสติกและอะลูมิเนียม

เมื่อทำงานที่อึดตราขยับชักต่ำเป็นเวลานาน เครื่องอาจร้อนขึ้นมาก ให้ถอดใบเลื่อยออก และทำให้เครื่องมือไฟฟ้าเย็นลง โดยปล่อยให้เครื่องเดินด้วยความเร็วขยับชักสูงสุดนานประมาณ 3 นาที

ข้อแนะนำในการทำงาน

- ▶ **ดึงปลั๊กไฟออกจากเต้าเสียบก่อนปรับแต่งเครื่อง**
- ▶ **หากใบเลื่อยติดขัด ให้ปิดสวิตช์เครื่องทันที**
- ▶ **หากเลื่อยชิ้นงานขนาดเล็กและบาง ให้ใช้อุปกรณ์ค้ำยันหรือโต๊ะเลื่อย (อุปกรณ์ประกอบ) เสมอ**

ก่อนเลื่อยในไม้ ไม้อัด วัสดุก่อสร้าง ฯลฯ ให้ตรวจหาสิ่งแปลกปลอม เช่น ตะปู สกรู หรือสิ่งคล้ายคลึงในวัสดุเหล่านี้ และหากจำเป็นให้ถอนสิ่งแปลกปลอมนั้นออกไป

การจ้วงตัด (ดูภาพประกอบ H)

- ▶ **การจ้วงตัดจะทำได้เฉพาะเมื่อตัดวัสดุใหม่ ตัวอย่าง เช่น ไม้ แผ่นกระดานยิปซัม และอื่นๆ เท่านั้น!**

สำหรับการจ้วงตัด ให้ใช้เฉพาะใบเลื่อยสั้นเท่านั้น การจ้วงตัดกระทำได้เมื่อตั้งมุมมากไว้ที่ตำแหน่ง 0° เท่านั้น

วางเครื่องมือไฟฟ้าโดยให้ขอบหน้าของแผ่นฐาน (5) จดลงบนชิ้นงาน แต่ไม่ให้ใบเลื่อย (10) และชิ้นงาน และเปิดสวิตช์สำหรับเครื่องมือไฟฟ้าที่มีการควบคุมความเร็วขยับชัก ให้ตั้งความเร็วขยับชักสูงสุด จับเครื่องมือไฟฟ้าเข้าหาชิ้นงานอย่างมั่นคง และจ้วงใบเลื่อยเข้าในชิ้นงานอย่างช้าๆ เมื่อแผ่นฐาน (5) วางเต็มทับบนพื้นผิววัสดุแล้ว ให้เลื่อยตามเส้นตัดที่ต้องการต่อไป

แผ่นนำเลื่อยแบบขนานพร้อมอุปกรณ์ตัดวงกลม (อุปกรณ์ประกอบ)

สำหรับการตัดโดยใช้แผ่นนำเลื่อยแบบขนานพร้อมอุปกรณ์ตัดวงกลม (22) (อุปกรณ์ประกอบ) ความหนาสูงสุดของวัสดุชิ้นงานคือ 30 มม.

การตัดแบบขนาน (ดูภาพประกอบ I): คลายสกรูล็อค (21) ออกและเลื่อนมาตราส่วนของแผ่นนำเลื่อยแบบขนานเข้าในช่องนำ (20) ในแผ่นฐาน ตั้งความกว้างการตัดที่ต้องการเป็นค่ามาตราส่วนบนขอบด้านในของแผ่นฐาน ชันสกรูล็อค (21) เข้าให้แน่น

การตัดวงกลม (ดูภาพประกอบ J): เจาะรูใกล้กับเส้นตัดภายในวงกลมที่จะเลื่อย โดยรูต้องใหญ่พอที่จะใส่ใบเลื่อย แกะไขว้เจาะด้วยเราเตอร์หรือตะไบเพื่อให้สามารถวางใบเลื่อยชิดกับเส้นตัดได้

ปรับตำแหน่งสกรูล็อค (21) ที่อีกด้านหนึ่งของแผ่นนำเลื่อยแบบขนาน เลื่อนมาตราส่วนของแผ่นนำเลื่อยแบบขนานเข้าในช่องนำ (20) ในแผ่นฐาน เจาะรูเข้าในชิ้นงานโดยให้รูอยู่ตรงกลางส่วนที่จะเลื่อยออก ใส่ตัวหมายศูนย์กลาง (23) ผ่านช่องเปิดด้านในของแผ่นนำเลื่อยแบบขนานและเข้าในรูที่เจาะไว้ ตั้งรัศมีเป็นค่ามาตราส่วนที่ขอบด้านในของแผ่นฐาน ชันสกรูล็อค (21) เข้าให้แน่น

สารหล่อเย็น/น้ำมันหล่อลื่น

เมื่อเลื่อยโลหะ ให้ใช้โลมสารหล่อเย็น/น้ำมันหล่อลื่นตามรอยตัดเนื่องจากวัสดุร้อนขึ้น

การบำรุงรักษาและการบริการ

การบำรุงรักษาและการทำความสะอาด

- ▶ ดึงปลั๊กไฟออกจากเต้าเสียบก่อนปรับแต่งเครื่อง
- ▶ เพื่อให้ทำงานได้อย่างถูกต้องและปลอดภัย ต้องรักษาเครื่องและช่องระบายอากาศให้สะอาดอยู่เสมอ

หากจำเป็นต้องเปลี่ยนสายไฟฟ้า ต้องส่งเครื่องให้ **Bosch** หรือศูนย์บริการหลังการขายที่ได้รับมอบหมายสำหรับเครื่องมือไฟฟ้า **Bosch** เปลี่ยนให้ ทั้งนี้เพื่อหลีกเลี่ยงอันตราย

ทำความสะอาดที่จับใบเลื่อยเป็นประจำ

สำหรับการทำงานทำความสะอาด ให้ถอดใบเลื่อยออกจากตัวเครื่อง และจับเครื่องเคาะบนพื้นราบเบาๆ

หากเครื่องมือไฟฟ้าสกปรกมาก เครื่องอาจทำงานผิดปกติได้ ดังนั้นอย่าเลื่อยวัสดุที่ไ้ม่ฝุ่นมากจากทางด้านล่างหรือเหนือศีรษะ

- ▶ หากใช้เครื่องมือทำงานหนัก ให้ใช้อุปกรณ์คุ้มครองผู้หนีงออกเท่าที่จะทำได้เสมอ เป้าของระบายอากาศเป็นประจำและติดตั้งเครื่องตัดไฟรั่ว (RCD) เมื่อทำงานกับโลหะ
- ฝุ่นซึ่งมีคุณสมบัตินำความร้อนและกระแสไฟฟ้าอาจสะสมอยู่ข้างในเครื่องมือไฟฟ้า ฉนวนป้องกันทั้งหมดของเครื่องมือไฟฟ้าอาจได้รับผลเสีย

หากช่องทางออกฝุ่นเกิดอุดตัน ให้ปิดสวิทช์เครื่องมือไฟฟ้า ถอดอุปกรณ์ดูดฝุ่น และนำฝุ่นและเศษวัสดุออกไป หล่อลื่นหัวจับใบเลื่อย (9) เป็นครั้งคราวโดยการหยอดน้ำมัน ตรวจสอบหัวจับใบเลื่อย (9) เป็นประจำ หากสึกหรอ ต้องส่งไปยังศูนย์บริการหลังการขาย **Bosch** ที่ได้รับมอบหมายเพื่อทำการเปลี่ยนให้

การบริการหลังการขายและการให้คำปรึกษาการใช้งาน

ศูนย์บริการหลังการขายของเรายินดีตอบคำถามของท่านที่เกี่ยวกับการบำรุงรักษาและการซ่อมแซมผลิตภัณฑ์รวมทั้งเรื่องอะไหล่ ภาพเขียนแบบการประกอบและข้อมูลเกี่ยวกับอะไหล่ กรุณาดูใน: www.bosch-pt.com ทีมงานที่ปรึกษาของ บอช ยินดีให้ข้อมูลเกี่ยวกับผลิตภัณฑ์ของเราและอุปกรณ์ประกอบต่างๆ

เมื่อต้องการสอบถามและสั่งซื้ออะไหล่ กรุณาแจ้งหมายเลขสินค้า 10 หลักบนแผ่นป้ายรุ่นของผลิตภัณฑ์ทุกครั้ง

ไทย

ไทย บริษัท โรเบิร์ต บอช จำกัด
เอพวายโอ เซ็นเตอร์ อาคาร 1 ชั้น 5
เลขที่ 2525 ถนนพระราม 4

แขวงคลองเตย เขตคลองเตย กรุงเทพฯ 10110

โทร: +66 2012 8888

แฟกซ์: +66 2064 5800

www.bosch.co.th

ศูนย์บริการซ่อมและฝึกอบรม บอช

อาคาร ลาซาลทาวเวอร์ ชั้น G ห้องเลขที่ 2

บ้านเลขที่ 10/11 หมู่ 16

ถนนศรีนครินทร์ ตำบลบางแก้ว อำเภอบางพลี

จังหวัดสมุทรปราการ 10540

ประเทศไทย

โทรศัพท์ 02 7587555

โทรสาร 02 7587525

การกำจัดขยะ

เครื่องมือไฟฟ้า อุปกรณ์ประกอบ และที่บ่อ ต้องนำไปแยกประเภทวัสดุเพื่อการรีไซเคิลที่เป็นมิตรต่อสิ่งแวดล้อม



อย่าทิ้งเครื่องมือไฟฟ้าลงในขยะครัวเรือน!

Bahasa Indonesia

Petunjuk Keselamatan

Petunjuk keselamatan umum untuk perkakas listrik

PERINGATAN Baca semua peringatan, petunjuk, ilustrasi, dan spesifikasi

keselamatan yang diberikan bersama perkakas listrik

ini. Kesalahan dalam menjalankan petunjuk di bawah ini dapat mengakibatkan sengatan listrik, kebakaran, dan/atau cedera serius.

Simpanlah semua peringatan dan petunjuk untuk penggunaan di masa mendatang.

Istilah "perkakas listrik" dalam peringatan mengacu pada perkakas listrik yang dioperasikan dengan listrik (menggunakan kabel) atau perkakas listrik yang dioperasikan dengan baterai (tanpa kabel).

Keamanan tempat kerja

- ▶ **Jaga kebersihan dan pencahayaan area kerja.** Area yang berantakan atau gelap dapat memicu kecelakaan.
- ▶ **Jangan mengoperasikan perkakas listrik di lingkungan yang dapat memicu ledakan, seperti**

adanya cairan, gas, atau debu yang mudah terbakar.

Perkakas listrik dapat memancarkan bunga api yang kemudian mengakibatkan debu atau uap terbakar.

- ▶ **Jauhkan dari jangkauan anak-anak dan pengamat saat mengoperasikan perkakas listrik.** Gangguan dapat menyebabkan hilangnya kendali.

Keamanan listrik

- ▶ **Steker perkakas listrik harus sesuai dengan stopkontak. Jangan pernah memodifikasi steker. Jangan menggunakan steker adaptor bersama dengan perkakas listrik yang terhubung dengan sistem grounding.** Steker yang tidak dimodifikasi dan stopkontak yang cocok akan mengurangi risiko sengatan listrik.
- ▶ **Hindari kontak badan dengan permukaan yang terhubung dengan sistem grounding, seperti pipa, radiator, kompor, dan lemari es.** Terdapat peningkatan risiko terjadinya sengatan listrik jika badan Anda terhubung dengan sistem grounding.
- ▶ **Perkakas listrik tidak boleh terpapar hujan atau basah.** Air yang masuk ke dalam perkakas listrik menambah risiko terjadinya sengatan listrik.
- ▶ **Jangan menyalahgunakan kabel. Jangan gunakan kabel untuk membawa, menarik, atau melepas steker perkakas listrik. Jauhkan kabel dari panas, minyak, tepi yang tajam, atau komponen yang bergerak.** Kabel listrik yang rusak atau tersangkut menambah risiko terjadinya sengatan listrik.
- ▶ **Saat mengoperasikan perkakas listrik di luar ruangan, gunakan kabel ekstensi yang sesuai untuk penggunaan di luar ruangan.** Penggunaan kabel yang cocok untuk pemakaian di luar ruangan mengurangi risiko terjadinya sengatan listrik.
- ▶ **Jika perkakas listrik memang harus dioperasikan di tempat yang lembap, gunakan pemutus arus listrik residu (RCD).** Penggunaan RCD akan mengurangi risiko terjadinya sengatan listrik.

Keselamatan personel

- ▶ **Tetap waspada, perhatikan aktivitas yang sedang dikerjakan dan gunakan akal sehat saat mengoperasikan perkakas listrik. Jangan gunakan perkakas listrik saat mengalami kelelahan atau di bawah pengaruh narkoba, alkohol, atau obat-obatan.** Jika perkakas listrik dioperasikan dengan daya konsentrasi yang rendah, hal tersebut dapat menyebabkan cedera serius.
- ▶ **Gunakan peralatan pelindung diri. Selalu kenakan pelindung mata.** Penggunaan perlengkapan pelindung seperti penutup telinga, helm, sepatu anti licin, dan masker debu akan mengurangi cedera.
- ▶ **Hindari start yang tidak disengaja. Pastikan switch berada di posisi off sebelum perkakas listrik dihubungkan ke sumber daya listrik dan/atau baterai, diangkat, atau dibawa.** Membawa perkakas listrik dengan jari menempel pada tombol atau perkakas listrik dalam keadaan hidup dapat memicu kecelakaan.

- ▶ **Singkirkan kunci penyetel atau kunci pas sebelum menghidupkan perkakas listrik.** Perkakas atau kunci pas yang masih menempel pada komponen perkakas listrik yang berputar dapat menyebabkan cedera.
- ▶ **Jangan melampaui batas. Berdirilah secara mantap dan selalu jaga keseimbangan.** Hal ini akan memberikan kontrol yang lebih baik terhadap perkakas listrik pada situasi yang tak terduga.
- ▶ **Kenakan pakaian dengan wajar. Jangan mengenakan perhiasan atau pakaian yang longgar. Jauhkan rambut dan pakaian dari komponen yang bergerak.** Pakaian yang longgar, rambut panjang, atau perhiasan dapat tersangkut dalam komponen yang bergerak.
- ▶ **Jika disediakan perangkat untuk sambungan pengisapan debu dan alat pengumpulan, pastikan perangkat tersebut terhubung dan digunakan dengan benar.** Penggunaan alat pengumpulan dapat mengurangi bahaya yang disebabkan oleh debu.
- ▶ **Jangan berpuas diri dan mengabaikan prinsip keselamatan karena terbiasa mengoperasikan perkakas.** Tindakan yang kurang hati-hati dapat mengakibatkan cedera serius dalam waktu sepersekian detik.

Penggunaan dan pemeliharaan perkakas listrik

- ▶ **Jangan memaksakan perkakas listrik. Gunakan perkakas listrik yang sesuai untuk pekerjaan yang dilakukan.** Perkakas listrik yang sesuai akan bekerja dengan lebih baik dan aman sesuai tujuan penggunaan.
- ▶ **Jangan gunakan perkakas listrik dengan switch yang tidak dapat dioperasikan.** Perkakas listrik yang switchnya yang tidak berfungsi dapat menimbulkan bahaya dan harus diperbaiki.
- ▶ **Lepaskan steker dari sumber listrik dan/atau lepas baterai, jika dapat dilepaskan dari perkakas listrik sebelum menyetel, mengganti aksesoris, atau menyimpan perkakas listrik.** Tindakan preventif akan mengurangi risiko menghidupkan perkakas listrik secara tidak disengaja.
- ▶ **Jauhkan dan simpan perkakas listrik dari jangkauan anak-anak dan jangan biarkan orang-orang yang tidak mengetahui cara menggunakan perkakas listrik, mengoperasikan perkakas listrik.** Perkakas listrik dapat membahayakan jika digunakan oleh orang-orang yang tidak terlatih.
- ▶ **Lakukan pemeliharaan perkakas listrik dan aksesoris. Periksa komponen yang bergerak apabila tidak lurus atau terikat, kerusakan komponen, dan kondisi lain yang dapat mengganggu pengoperasian perkakas listrik. Apabila rusak, perbaiki perkakas listrik sebelum digunakan.** Kecelakaan sering terjadi karena perkakas listrik tidak dirawat dengan baik.
- ▶ **Jaga ketajaman dan kebersihan alat.** Alat pemotong dengan pisau pemotong yang tajam dan dirawat dengan baik tidak akan mudah tersangkut dan lebih mudah dikendalikan.

- ▶ **Gunakan perkakas listrik, aksesoris, dan komponen perkakas dll sesuai dengan petunjuk ini, dengan mempertimbangkan kondisi kerja dan pekerjaan yang akan dilakukan.** Penggunaan perkakas listrik untuk tujuan berbeda dari fungsinya dapat menyebabkan situasi yang berbahaya.
- ▶ **Jaga gagang dan permukaan genggam agar tetap kering, bersih, dan bebas dari minyak dan lemak.** Gagang dan permukaan genggam yang licin tidak menjamin keamanan kerja dan kontrol alat yang baik pada situasi yang tidak terduga.

Servis

- ▶ **Minta teknisi berkualifikasi untuk menyervis perkakas listrik dengan hanya menggunakan suku cadang yang identik.** Dengan demikian, hal ini akan memastikan keamanan perkakas listrik.

Petunjuk Keselamatan untuk Mesin Jigsaw

- ▶ **Pegang perkakas listrik pada permukaan gagang isolator saat digunakan karena aksesoris pemotong dapat saja bersentuhan dengan kabel yang tidak terlihat atau kabelnya sendiri.** Aksesoris pemotong yang bersentuhan dengan kabel yang dialiri listrik dapat menyebabkan bagian logam perkakas listrik yang terbuka dialiri listrik sehingga berisiko mengakibatkan sengatan listrik pada operator.
- ▶ **Gunakan penjepit atau cara lain yang praktis untuk mengamankan dan menopang benda kerja pada permukaan yang stabil.** Benda kerja dapat goyah atau kehilangan kendali jika dipegang dengan tangan atau ditahan dengan tubuh Anda.
- ▶ **Jauhkan tangan Anda dari area penggergajian. Jangan menjangkau ke bawah benda kerja.** Bersentuhan dengan mata gergaji dapat mengakibatkan cedera.
- ▶ **Hidupkan terlebih dahulu perkakas listrik, kemudian perkakas listrik didekatkan pada benda kerja.** Jika tidak, terdapat bahaya sentakan jika alat kerja tersangkut dalam benda yang dikerjakan.
- ▶ **Pastikan pelat kaki terletak dengan aman selama penggergajian.** Mata gergaji yang tersangkut dapat patah atau mengakibatkan terjadinya sentakan.
- ▶ **Matikan perkakas listrik setelah pekerjaan menggergaji selesai dan tunggu hingga mata gergaji berhenti bergerak, kemudian keluarkan mata gergaji dari jalur pemotongan.** Dengan demikian, sentakan dapat dihindari dan perkakas listrik dapat diletakkan dengan aman.
- ▶ **Sebelum meletakkan perkakas listrik, tunggulah hingga perkakas berhenti berputar.** Alat kerja dapat tersangkut dan menyebabkan perkakas listrik tidak dapat dikendalikan.
- ▶ **Gunakanlah hanya mata gergaji yang tidak rusak dan mulus.** Mata gergaji yang melengkung atau tidak tajam dapat patah, membuat potongan tidak bagus, atau mengakibatkan sentakan.

- ▶ **Setelah perkakas listrik dimatikan, jangan melakukan pengereman dengan cara menekan mata gergaji pada sisinya.** Hal tersebut dapat mengakibatkan mata gergaji menjadi rusak, patah, atau mengakibatkan sentakan.
- ▶ **Gunakanlah alat detektor logam yang cocok untuk mencari kabel dan pipa yang tidak terlihat atau hubungi perusahaan pengadaan setempat.** Sentuhan dengan kabel-kabel listrik dapat mengakibatkan api dan kontak listrik. Pipa gas yang rusak dapat mengakibatkan ledakan. Pipa air yang rusak mengakibatkan kerusakan barang-barang atau dapat mengakibatkan kontak listrik.

Spesifikasi produk dan performa



Bacalah semua petunjuk keselamatan dan petunjuk penggunaan. Kesalahan dalam menjalankan petunjuk keselamatan dan petunjuk penggunaan dapat mengakibatkan kontak listrik, kebakaran, dan/atau luka-luka yang berat.

Perhatikan ilustrasi yang terdapat pada sisi sampul panduan pengoperasian.

Tujuan penggunaan

Perkakas listrik ini cocok untuk pemotongan kayu, bahan sintetik, logam, pelat keramik dan karet. Perkakas ini cocok untuk pemotongan lurus dan melengkung dengan sudut pemotongan hingga 45°. Perhatikan petunjuk-petunjuk untuk penggunaan pisau gergaji.

Ilustrasi komponen

Nomor-nomor dari bagian-bagian perkakas pada gambar sesuai dengan gambar perkakas listrik pada halaman bergambar.

- (1) Pengunci tombol on/off
- (2) Tombol on/off
- (3) Selektor penyetelan awal kecepatan pemotongan
- (4) Kunci L
- (5) Pelat dasar
- (6) Switch untuk alat blower serbuk gergaji
- (7) Tuas pengatur osilasi
- (8) Tuas SDS pembuka kunci mata gergaji
- (9) Rol pemandu
- (10) Mata gergaji^{A)}
- (11) Pelindung dari sentuhan tangan atau jari
- (12) Gagang (permukaan genggam berisolator)
- (13) Dudukan mata gergaji
- (14) Pelindung serpihan^{A)}
- (15) Kap pelindung debu saat pengisapan
- (16) Sambungan pengisapan
- (17) Slang pengisap^{A)}
- (18) Skala sudut potong (mitre)

- (19) Baut pelat dasar
- (20) Pemandu mistar sejajar
- (21) Baut pengunci mistar sejajar^{A)}
- (22) Mistar sejajar dengan pemotong bundar^{A)}
- (23) Titik pusat pemotong bundar^{A)}

A) Aksesoris yang ada pada gambar atau yang dijelaskan tidak termasuk dalam lingkup pengiriman standar. Semua aksesoris yang ada dapat Anda lihat dalam program aksesoris kami.

Data teknis

Mesin jigsaw		GST 90 BE	
Nomor seri		3 601 E8F 0..	
Kontrol kecepatan pemotongan		●	
Input daya nominal		W	650
Kecepatan pemotongan tanpa beban n_0	min^{-1}	500–3100	
Pemotongan	mm	26	
Kedalaman pemotongan maks.			
– pada kayu	mm	90	
– pada aluminium	mm	20	
– pada baja (non-alloy)	mm	10	
Sudut pemotongan (kiri/kanan) maks.	°	45	
Berat sesuai dengan EPTA-Procedure 01:2014	kg	2,6	
Tingkat perlindungan			

Data-data berlaku untuk tegangan nominal [U] 230 V. Pada tegangan yang lebih rendah dan pada model khusus mancanegara data-data ini bisa berlainan.

Cara memasang

► **Sebelum mulai dengan pekerjaan pada perkakas listrik, tariklah steker dari stopkontak.**

Memasang/mengganti pisau gergaji

► **Pakailah sarung tangan pelindung saat memasang atau mengganti alat sisipan.** Alat sisipan sangat tajam dan dapat memanaskan jika digunakan dalam waktu yang lama.

Memilih pisau gergaji

Lihat ikhtisar pisau gergaji yang disarankan di akhir petunjuk ini. Hanya pasang pisau gergaji dengan pisau gergaji (berbentuk T). Pisau gergaji sebaiknya tidak lebih panjang daripada yang diperlukan untuk pemotongan yang hendak dikerjakan.

Untuk menggergaji lekukan, gunakanlah pisau gergaji yang tidak lebar.

Memasang mata gergaji (lihat gambar A)

► **Bersihkan batang mata gergaji sebelum dipasang.** Batang yang kotor tidak dapat dipasang dengan aman.

Tekan dan tahan tuas SDS (8) ke depan hingga maksimal. Geser mata gergaji (10) dengan gerigi menghadap ke arah pemotongan hingga terkunci pada kedudukan mata gergaji (13).

Pastikan saat memasang mata gergaji, punggung mata gergaji terletak pada alur rol pemandu (9).

► **Pastikan pisau gergaji terpasang kencang.** Pisau gergaji yang tidak kencang dapat terlepas dan mencederai Anda.

Melepaskan mata gergaji (lihat gambar B)

Tekan tuas SDS (8) ke depan hingga maksimal, lalu lepaskan mata gergaji (10).

Pelindung serpihan (lihat gambar C)

Pelindung serpihan (14) (aksesori) dapat melindungi permukaan agar tidak robek saat memotong kayu. Pelindung serpihan hanya dapat digunakan dengan jenis pisau gergaji yang sesuai dan hanya dengan sudut pemotongan 0°. Pelat dasar (5) tidak boleh dipindahkan ke belakang untuk pemotongan tepi saat memotong dengan pelindung serpihan.

Tekan pelindung serpihan (14) dari bawah ke dalam pelat dasar (5).

Pengisapan debu/serbuk

Debu dari bahan-bahan seperti cat yang mengandung timbal, beberapa jenis kayu, bahan mineral dan logam dapat berbahaya bagi kesehatan. Menyentuh atau menghirup debu tersebut dapat mengakibatkan reaksi alergi dan/atau penyakit saluran pernapasan bagi pengguna atau orang yang berada di dekatnya.

Beberapa debu tertentu seperti misalnya debu kayu pohon ek atau pohon fagus silvatica dianggap dapat mengakibatkan penyakit kanker, terutama dalam campuran dengan bahan-bahan tambahan untuk pengolahan kayu (kromat, obat pengawet kayu). Bahan-bahan yang mengandung asbes hanya boleh dikerjakan oleh orang-orang yang ahli.

- Gunakanlah hanya pengisap debu yang cocok untuk mengisap bahan yang dikerjakan.
- Pastikan terdapat ventilasi udara yang baik di tempat kerja.
- Dianjurkan untuk memakai masker anti debu dengan filter kelas P2.

Taatilah peraturan-peraturan untuk bahan-bahan yang dikerjakan yang berlaku di negara Anda.

► **Hindari debu yang banyak terkumpul di tempat kerja.** Debu dapat tersulut dengan mudah.

Kap pelindung debu (lihat gambar D)

Pasang kap pelindung debu (15) sebelum perkakas listrik disambungkan pada pengisapan debu.

Pasang kap pelindung debu (15) pada perkakas listrik sehingga penopang terkunci pada pelindung dari sentuhan tangan atau jari (11).

Lepaskan kap pelindung debu (15) untuk pengoperasian tanpa pengisapan debu serta untuk pemotongan sudut

(mitre). Tarik kap pelindung debu dari pelindung sentuhan tangan atau jari **(11)** ke depan.

Menyambungkan pengisapan debu (lihat gambar E-F)

Pasang sambungan pengisapan **(16)** pada celah pelat dasar **(5)**.

Pastikan bahwa pin pada sambungan pengisapan terkunci di dalam celah perkakas listrik yang sesuai seperti yang ditunjukkan pada gambar **E**.

Pasang slang pengisap **(17)** (aksesori) pada sambungan pengisapan **(16)**. Hubungkan slang pengisap **(17)** dengan pengisap debu (aksesori).

Ikhtisar mengenai sambungan pada pengisap debu yang berbeda dapat ditemukan pada bagian akhir panduan ini.

Jika memungkinkan, gunakan pelindung serpihan **(14)** untuk pengisapan yang optimal.

Nonaktifkan alat blower serbuk gergaji jika pengisapan debu telah disambungkan.

Mesin pengisap debu harus sesuai dengan material yang dikerjakan.

Gunakan mesin pengisap khusus saat melakukan pengisapan debu yang kering dan dapat membahayakan kesehatan serta memicu kanker.

Penggunaan

Mode pengoperasian

- **Sebelum mulai dengan pekerjaan pada perkakas listrik, tariklah steker dari stopkontak.**

Menyetel osilasi

Osilasi yang bisa diatur dalam empat tingkatan memungkinkan penyesuaian kecepatan pemotongan, daya pemotongan dan hasil pemotongan yang optimal pada material kerja.

Dengan tuas pengatur **(7)** osilasi dapat diatur selama pengoperasian.

Level 0	tanpa osilasi
Level I	osilasi kecil
Level II	osilasi menengah
Level III	osilasi besar

Tingkatan osilasi yang optimal untuk masing-masing penggunaan dapat ditentukan dengan cara uji coba.

Perhatikan saran-saran berikut:

- Semakin rendah tingkat osilasi disetel atau osilasi dimatikan, semakin halus dan bersih tepi potongan.
- Matikan osilasi saat mengerjakan material tipis (misalnya pelat logam).
- Operasikan dengan osilasi kecil pada material keras (misalnya baja).
- Jika mengerjakan material lunak dan memotong kayu mengikuti serat, gunakan osilasi maksimal.

Mengatur sudut pemotongan (lihat gambar G)

Pelat dasar **(5)** dapat diputar ke kanan atau kiri untuk pemotongan miring hingga 45°.

Kap pelindung debu **(15)**, sambungan pengisapan **(16)** dan pelindung serpihan **(14)** tidak dapat digunakan saat pemotongan sudut dijalankan.

- Tekan sambungan pengisapan **(16)** sedikit ke belakang lalu tarik dari pelat dasar **(5)**.
- Lepaskan kap pelindung debu **(15)** dan pelindung serpihan **(14)**.
- Kendurkan baut **(19)** menggunakan kunci L **(4)** lalu geser sedikit pelat dasar **(5)** ke arah kabel daya.
- Pelat dasar memiliki titik penguncian kanan dan kiri pada sudut 0° dan 45° untuk mengatur sudut pemotongan yang tepat. Gerakkan pelat dasar **(5)** sesuai skala **(18)** ke posisi yang diinginkan. Sudut pemotongan lainnya dapat diatur dengan mistar sudut.
- Kemudian geser pelat dasar **(5)** hingga maksimal ke arah mata gergaji **(10)**.
- Kencangkan kembali baut **(19)**.

Memindahkan pelat dasar (lihat gambar G)

Pelat dasar **(5)** dapat dipindahkan ke belakang untuk pemotongan tepi.

Lepaskan baut **(19)** dan geser pelat dasar **(5)** hingga maksimal ke arah kabel daya.

Kencangkan kembali baut **(19)**.

Pemotongan dengan pelat dasar **(5)** yang dipindahkan hanya dapat dilakukan dengan sudut potong sebesar 0°. Selain itu, mistar sejajar dengan pemotong bundar **(22)** (aksesori) dan pelindung serpihan **(14)** tidak boleh digunakan.

Alat blower serbuk gergaji

Garis potong serbuk dapat terjaga dari kotoran dengan aliran udara dari alat peniup serbuk.



Mengaktifkan alat blower serbuk gergaji: Pada pemotongan dengan tingkat pembersihan yang berat seperti pada kayu, bahan sintetis, dsb., geser switch **(6)** ke arah sambungan pengisapan.



Menonaktifkan alat blower serbuk gergaji: Pada pemotongan dengan logam serta saat sambungan pengisapan terhubung, geser switch **(6)** ke arah mata gergaji.

Cara penggunaan

- **Perhatikan tegangan listrik! Tegangan jaringan listrik harus sesuai dengan tegangan listrik yang tercantum pada label tipe perkakas listrik. Perkakas listrik dengan daya sebesar 230 V seperti yang diindikasikan pada label dapat juga dioperasikan pada daya 220 V.**

Menghidupkan/mematikan perkakas listrik

- **Pastikan bahwa Anda dapat mengoperasikan tombol untuk menghidupkan dan mematikan tanpa perlu melepaskan handle.**

Untuk **menghidupkan** perkakas listrik, tekan tombol on/off **(2)**.

Untuk **mengunci** tombol on/off **(2)** tekan dan tahan tombol on/off dan geser tombol kunci **(1)** ke kanan atau kiri.

Untuk **mematikan** perkakas listrik, lepaskan tombol on/off **(2)**. Jika tombol on/off **(2)** terkunci, tekan terlebih dahulu tombol tersebut, kemudian lepaskan.

Mengontrol/melakukan penyetulan awal pada kecepatan pemotongan

Jumlah langkah perkakas listrik yang dihidupkan dapat disetel terus-menerus tergantung seberapa kuat tombol on/off **(2)** ditekan.

Jika tombol on/off **(2)** ditekan ringan, jumlah langkah menjadi rendah. Jika tekanan ditambah, jumlah langkah akan meningkat.

Saat tombol on/off **(2)** terkunci, jumlah langkah tidak dapat dikurangi.

Dengan roda pemilih kecepatan **(3)**, jumlah langkah dapat disetel sebelumnya dan diubah selama pengoperasian.

Jumlah langkah yang diperlukan tergantung pada material kerja dan kondisi kerja serta dapat ditentukan dengan uji coba.

Disarankan untuk mengurangi jumlah langkah saat menggunakan pisau gergaji pada benda kerja serta saat memotong bahan sintetik dan aluminium.

Jika digunakan untuk waktu yang lama dengan jumlah langkah yang rendah, perkakas listrik dapat menjadi sangat panas. Lepaskan pisau gergaji dan biarkan perkakas listrik beroperasi dengan jumlah langkah maksimal selama kira-kira 3 menit untuk didinginkan.

Petunjuk pengoperasian

- ▶ **Sebelum mulai dengan pekerjaan pada perkakas listrik, tariklah steker dari stopkontak.**
- ▶ **Segera matikan perkakas listrik jika pisau gergaji terhenti.**
- ▶ **Jika mengerjakan benda-benda yang kecil atau tipis, gunakan selalu permukaan yang stabil atau meja gergaji (aksesori).**

Sebelum melakukan pemotongan, periksa benda kerja dari benda asing seperti paku, baut atau sejenisnya pada kayu, papan partikel, material bangunan dan lainnya serta singkirkan benda asing tersebut.

Pemotongan dalam (lihat gambar H)

- ▶ **Hanya bahan lunak seperti kayu, gipsium atau sejenisnya yang boleh digunakan pada proses penggergajian!**

Untuk pemotongan dalam, hanya gunakan pisau gergaji yang pendek. Pemotongan dalam hanya dapat dilakukan dengan sudut potong sebesar 0°.

Letakkan perkakas listrik dengan tepi depan pelat dasar **(5)** pada benda kerja tanpa menyentuhkan pisau gergaji **(10)** pada benda kerja tersebut dan hidupkan perkakas listrik. Pada perkakas listrik dengan kontrol kecepatan, pilih jumlah langkah maksimal. Tekan kuat perkakas listrik pada benda kerja dan biarkan pisau gergaji masuk perlahan.

Begitu pelat dasar **(5)** terletak sepenuhnya pada benda kerja, potong benda kerja sepanjang garis yang diinginkan.

Mistar sejajar dengan pemotong bundar (aksesori)

Untuk bekerja dengan mistar sejajar dan pemotong bundar **(22)** (aksesori) ketebalan benda kerja tidak boleh melebihi 30 mm.

Pemotongan sejajar (lihat gambar I): Kendorkan baut pengunci **(21)** dan geser skala mistar sejajar melalui pemandu **(20)** pada pelat dasar. Atur lebar potongan sebagai nilai skala pada bagian dalam pelat dasar. Kencangkan baut pengunci **(21)**.

Pemotongan bundar (lihat gambar J): Buat lubang pada garis pemotongan di dalam lingkaran yang akan dipotong yang cukup untuk memasukkan pisau gergaji. Buat lubang dengan mesin potong atau alat kikir agar pisau gergaji dapat terletak secara merata pada garis potongan.

Pasang baut pengunci **(21)** ke sisi lain pada mistar sejajar. Geser skala mistar sejajar melalui pemandu **(20)** pada pelat dasar. Buat lubang pada benda kerja di tengah potongan yang akan digergaji. Masukkan titik pusat **(23)** melalui lubang bagian dalam mistar sejajar dan lubang yang dibor. Atur jari-jari sebagai nilai skala pada tepi dalam pelat dasar. Kencangkan baut pengunci **(21)**.

Zat pendingin/pelumas

Saat menggergaji logam, gunakan zat pendingin/pelumas di sepanjang garis pemotongan akibat pemanasan pada material.

Perawatan dan servis

Perawatan dan pembersihan

- ▶ **Sebelum mulai dengan pekerjaan pada perkakas listrik, tariklah steker dari stopkontak.**
- ▶ **Perkakas listrik dan lubang ventilasi harus selalu dibersihkan agar perkakas dapat digunakan dengan baik dan aman.**

Jika kabel listrik harus diganti, pekerjaan ini harus dilakukan oleh **Bosch** atau Service Center untuk perkakas listrik **Bosch** resmi agar keselamatan kerja selalu terjamin.

Bersihkanudukan pisau gergaji secara berkala. Untuk melakukannya, lepas pisau gergaji dari perkakas listrik dan ketukkan perkakas listrik dengan perlahan pada permukaan yang datar.

Perkakas listrik yang sangat kotor dapat tidak berfungsi dengan baik. Oleh karena itu, jangan menggergaji material yang menghasilkan banyak debu dari bawah atau di atas kepala.

- ▶ **Bila memungkinkan, selalu gunakan sistem ekstraksi udara dalam kondisi pengoperasian yang ekstrem. Tiuplah dengan rutin lubang ventilasi dan hidupkan pemutus arus (PRCD).** Saat pengerjaan bahan logam, debu konduktif dapat mengendap di dalam perkakas listrik. Isolasi keamanan dari perkakas listrik dapat terganggu.

Jika saluran keluar debu tersumbat, matikan perkakas listrik, lepaskan pengisap debu dan bersihkan debu dan serbuk. Oleskan rol pemandu (9) sesekali dengan setetes minyak. Periksa rol pemandu (9) secara teratur. Jika rol pemandu aus, rol pemandu harus diganti oleh Service Center **Bosch** resmi.

Layanan pelanggan dan konsultasi penggunaan

Layanan pelanggan Bosch menjawab semua pertanyaan Anda tentang reparasi dan perawatan serta tentang suku cadang produk ini. Gambaran teknis (exploded view) dan informasi mengenai suku cadang dapat ditemukan di:

www.bosch-pt.com

Tim konsultasi penggunaan Bosch akan membantu Anda menjawab pertanyaan seputar produk kami beserta aksesorinya.

Jika Anda hendak menanyakan sesuatu atau memesan suku cadang, selalu sebutkan nomor model yang terdiri dari 10 angka dan tercantum pada label tipe produk.

Indonesia

PT Robert Bosch
Palma Tower 10th Floor
Jalan RA Kartini II-S Kaveling 6
Pondok Pinang, Kebayoran Lama
Jakarta Selatan 12310
Tel.: (021) 3005 5800
Fax: (021) 3005 5801
E-Mail: boschpowertools@id.bosch.com
www.bosch-pt.co.id

Cara membuang

Perkakas listrik, aksesoris, dan kemasan sebaiknya didaur ulang secara ramah lingkungan.



Jangan membuang perkakas listrik ke dalam sampah rumah tangga!

Tiếng Việt

Hướng dẫn an toàn

Hướng dẫn an toàn chung cho dụng cụ điện

⚠ CẢNH BÁO Hãy đọc toàn bộ các cảnh báo an toàn, hướng dẫn, hình ảnh và thông số kỹ thuật được cung cấp cho dụng cụ điện cầm tay này. Không tuân thủ mọi hướng dẫn được liệt kê dưới đây có thể bị điện giật, gây cháy và /hay bị thương tật nghiêm trọng. **Hãy giữ tất cả tài liệu về cảnh báo và hướng dẫn để tham khảo về sau.**

Thuật ngữ "dụng cụ điện cầm tay" trong phần cảnh báo là để cập đến sự sử dụng dụng cụ điện cầm

tay của bạn, loại sử dụng điện nguồn (có dây cắm điện) hay vận hành bằng pin (không dây cắm điện).

Khu vực làm việc an toàn

- ▶ **Giữ nơi làm việc sạch và đủ ánh sáng.** Nơi làm việc bừa bộn và tối tăm dễ gây ra tai nạn.
- ▶ **Không vận hành dụng cụ điện cầm tay trong môi trường dễ gây nổ, chẳng hạn như nơi có chất lỏng dễ cháy, khí đốt hay rác.** Dụng cụ điện cầm tay tạo ra các tia lửa nên có thể làm rác bén cháy hay bốc khói.
- ▶ **Không để trẻ em hay người đến xem đứng gần khi vận hành dụng cụ điện cầm tay.** Sự phân tâm có thể gây ra sự mất điều khiển.

An toàn về điện

- ▶ **Phích cắm của dụng cụ điện cầm tay phải thích hợp với ổ cắm.** Không bao giờ được cải biến lại phích cắm dưới mọi hình thức. Không được sử dụng phích tiếp hợp nối tiếp đất (dây mát). Phích cắm nguyên bản và ổ cắm đúng loại sẽ làm giảm nguy cơ bị điện giật.
- ▶ **Tránh không để thân thể tiếp xúc với đất hay các vật có bề mặt tiếp đất như đường ống, lò sưởi, hàng rào và tủ lạnh.** Có nhiều nguy cơ bị điện giật hơn nếu cơ thể bạn bị tiếp hay nối đất.
- ▶ **Không được để dụng cụ điện cầm tay ngoài mưa hay ở tình trạng ẩm ướt.** Nước vào máy sẽ làm tăng nguy cơ bị điện giật.
- ▶ **Không được làm dụng dây dẫn điện.** Không bao giờ được nắm dây dẫn để xách, kéo hay rút phích cắm dụng cụ điện cầm tay. Không để dây gần nơi có nhiệt độ cao, dầu nhớt, vật nhọn bén và bộ phận chuyển động. Làm hỏng hay cuộn rối dây dẫn làm tăng nguy cơ bị điện giật.
- ▶ **Khi sử dụng dụng cụ điện cầm tay ngoài trời, dùng dây nối thích hợp cho việc sử dụng ngoài trời.** Sử dụng dây nối thích hợp cho việc sử dụng ngoài trời làm giảm nguy cơ bị điện giật.
- ▶ **Nếu việc sử dụng dụng cụ điện cầm tay ở nơi ẩm ướt là không thể tránh được, dùng thiết bị ngắt mạch tự động (RCD) bảo vệ nguồn.** Sử dụng thiết bị ngắt mạch tự động RCD làm giảm nguy cơ bị điện giật.

An toàn cá nhân

- ▶ **Hãy tỉnh táo, biết rõ mình đang làm gì và hãy sử dụng ý thức khi vận hành dụng cụ điện cầm tay.** Không sử dụng dụng cụ điện cầm tay khi đang mệt mỏi hay đang bị tác động do chất gây nghiện, rượu hay dược phẩm gây ra. Một thoáng mất tập trung khi đang vận hành dụng cụ điện cầm tay có thể gây thương tích nghiêm trọng cho bản thân.
- ▶ **Sử dụng trang bị bảo hộ cá nhân.** Luôn luôn đeo kính bảo vệ mắt. Trang bị bảo hộ như khẩu trang, giày chống trượt, nón bảo hộ, hay dụng cụ bảo vệ tai khi được sử dụng đúng nơi

đúng chỗ sẽ làm giảm nguy cơ thương tật cho bản thân.

- ▶ **Phòng tránh máy khởi động bất ngờ.** Bảo đảm công tắc máy ở vị trí tắt trước khi cắm vào nguồn điện và/hay lắp pin vào, khi nhắc máy lên hay khi mang xách máy. Ngáng ngón tay vào công tắc máy để xách hay kích hoạt dụng cụ điện cầm tay khi công tắc ở vị trí mở để dẫn đến tai nạn.
- ▶ **Lấy mọi chia hay khóa điều chỉnh ra trước khi mở điện dụng cụ điện cầm tay.** Khóa hay chia còn gắn dính vào bộ phận quay của dụng cụ điện cầm tay có thể gây thương tích cho bản thân.
- ▶ **Không rướn người.** Luôn luôn giữ tư thế đứng thích hợp và thăng bằng. Điều này tạo cho việc điều khiển dụng cụ điện cầm tay tốt hơn trong mọi tình huống bất ngờ.
- ▶ **Trang phục thích hợp.** Không mặc quần áo rộng lủng thụng hay mang trang sức. Giữ tóc và quần áo xa khỏi các bộ phận chuyển động. Quần áo rộng lủng thụng, đồ trang sức hay tóc dài có thể bị cuốn vào các bộ phận chuyển động.
- ▶ **Nếu có các thiết bị đi kèm để nối máy hút bụi và các phụ kiện khác, bảo đảm các thiết bị này được nối và sử dụng tốt.** Việc sử dụng các thiết bị gom hút bụi có thể làm giảm các độc hại liên quan đến bụi gây ra.
- ▶ **Không để thói quen do sử dụng thường xuyên dụng cụ khiến bạn trở nên chủ quan và bỏ qua các quy định an toàn dụng cụ.** Một hành vi bất cẩn có thể gây ra thương tích nghiêm trọng chỉ trong tích tắc.

Sử dụng và bảo dưỡng dụng cụ điện cầm tay

- ▶ **Không được ép máy.** Sử dụng dụng cụ điện cầm tay đúng loại theo đúng ứng dụng của bạn. Dụng cụ điện cầm tay đúng chức năng sẽ làm việc tốt và an toàn hơn theo đúng tiến độ mà máy được thiết kế.
- ▶ **Không sử dụng dụng cụ điện cầm tay nếu như công tắc không tắt và mở được.** Bất kỳ dụng cụ điện cầm tay nào mà không thể điều khiển được bằng công tắc là nguy hiểm và phải được sửa chữa.
- ▶ **Rút phích cắm ra khỏi nguồn điện và/hay pin ra khỏi dụng cụ điện cầm tay nếu có thể tháo được, trước khi tiến hành bất kỳ điều chỉnh nào, thay phụ kiện, hay cắt dụng cụ điện cầm tay.** Các biện pháp ngăn ngừa như vậy làm giảm nguy cơ dụng cụ điện cầm tay khởi động bất ngờ.
- ▶ **Cất giữ dụng cụ điện cầm tay không dùng tới nơi trẻ em không lấy được và không cho người chưa từng biết dụng cụ điện cầm tay hay các hướng dẫn này sử dụng dụng cụ điện cầm tay.** Dụng cụ điện cầm tay nguy hiểm

khi ở trong tay người chưa được chỉ cách sử dụng.

- ▶ **Bảo quản dụng cụ điện cầm tay và các phụ kiện.** Kiểm tra xem các bộ phận chuyển động có bị sai lệch hay kẹt, các bộ phận bị rạn nứt và các tình trạng khác có thể ảnh hưởng đến sự vận hành của máy. Nếu bị hư hỏng, phải sửa chữa máy trước khi sử dụng. Nhiều tai nạn xảy ra do bảo quản dụng cụ điện cầm tay tồi.
- ▶ **Giữ các dụng cụ cắt bén và sạch.** Bảo quản đúng cách các dụng cụ cắt có cạnh cắt bén làm giảm khả năng bị kẹt và dễ điều khiển hơn.
- ▶ **Sử dụng dụng cụ điện cầm tay, phụ kiện, đầu cài v. v., đúng theo các chỉ dẫn này, hãy lưu ý đến điều kiện làm việc và công việc phải thực hiện.** Sự sử dụng dụng cụ điện cầm tay khác với mục đích thiết kế có thể tạo nên tình huống nguy hiểm.
- ▶ **Giữ tay cầm và bề mặt nắm luôn khô ráo, sạch sẽ và không dính dầu mỡ.** Tay cầm và bề mặt nắm trơn trượt không đem lại thao tác an toàn và kiểm soát dụng cụ trong các tình huống bất ngờ.

Bảo dưỡng

- ▶ **Đưa dụng cụ điện cầm tay của bạn đến thợ chuyên môn để bảo dưỡng, chỉ sử dụng phụ tùng đúng chủng loại để thay.** Điều này sẽ đảm bảo sự an toàn của máy được giữ nguyên.

Hướng dẫn an toàn cho loại Máy Cưa Xoi

- ▶ **Chỉ cầm dụng cụ điện tại các bề mặt cầm nắm có cách điện, khi thực hiện một thao tác tại vị trí mà phụ kiện cắt có thể tiếp xúc với dây điện ngầm hoặc chính dây điện của thiết bị.** Phụ kiện cắt tiếp xúc với dây có điện có thể làm cho các phần kim loại hở của dụng cụ điện cầm tay có điện và có thể gây ra điện giật cho người vận hành.
- ▶ **Sử dụng các kẹp hoặc cách thực tiễn khác để cố định và đỡ phôi gia công vào sàn thao tác cố định.** Việc cầm phôi gia công bằng tay hoặc tựa người vào phôi gia công làm cho nó dễ đổ và có thể dẫn đến mất kiểm soát.
- ▶ **Đế tay tránh xa khỏi phạm vi cắt.** Không được tiếp chạm với phần bên dưới vật gia công. Tiếp xúc với lưỡi cưa có thể dẫn đến việc bị thương tích.
- ▶ **Chỉ cho máy gia công vật liệu khi máy đã hoạt động.** Nếu không làm vậy thì sẽ có nguy cơ bị giật ngược do dụng cụ cắt bị kẹt chặt trong vật gia công.
- ▶ **Đảm bảo rằng, đế đĩa đã nằm an toàn trên vật liệu trong khi cưa.** Lưỡi cưa bị kẹt chặt có thể bị gãy hay gây ra sự giật ngược.
- ▶ **Khi đã cắt xong, tắt máy và sau đó rút lưỡi cưa ra khỏi mạch cắt chỉ sau khi lưỡi cưa đã**

ngừng chuyển động hoàn toàn. Thực hiện như vậy bạn có thể tránh được sự giật ngược và có thể đặt máy xuống một cách an toàn.

- ▶ **Luôn luôn đợi cho máy hoàn toàn ngừng hẳn trước khi đặt xuống.** Dụng cụ lắp vào máy có thể bị kẹp chặt dẫn đến việc dụng cụ điện cầm tay bị mất điều khiển.
- ▶ **Chỉ sử dụng lưỡi cưa còn nguyên vẹn, có tình trạng hoàn hảo.** Lưỡi cưa bị cong hay cùn có thể bị gãy, ảnh hưởng xấu đến sự cắt, và có thể gây ra sự dội ngược.
- ▶ **Không được hãm lưỡi cưa cho dừng lại bằng cách tạo lực ép lên hông lưỡi cưa sau khi tắt máy.** Lưỡi cưa có thể bị hỏng, gây hay gây ra giật ngược.
- ▶ **Dùng thiết bị dò tìm thích hợp để xác định nếu có các công trình công cộng lắp đặt ngầm trong khu vực làm việc hay liên hệ với Cty công trình công cộng địa phương để nhờ hỗ trợ.** Đụng chạm đường dẫn điện có thể gây ra hỏa hoạn và điện giật. Làm hư hại đường dẫn khí ga có thể gây nổ. Làm thủng đường dẫn nước gây hư hỏng tài sản hay có khả năng gây ra điện giật.

- (8) Cần SDS mở khóa lưỡi cưa
- (9) Bánh lăn định hướng
- (10) Lưỡi cưa^{A)}
- (11) Thanh Bảo Vệ Chống Tiếp Xúc
- (12) Tay nắm (bề mặt nắm cách điện)
- (13) Bộ phận gắn lưỡi cưa
- (14) Tấm chắn mảnh vụn^{A)}
- (15) Nắp che bụi để hút
- (16) Phần nối máy hút
- (17) Ống hút^{A)}
- (18) Thước đo góc vuông mộng
- (19) Vít đế đĩa
- (20) Cờ chỉnh đặt của đường cặp cạnh
- (21) Vít siết của đường cặp cạnh^{A)}
- (22) Đường cặp cạnh có dao cắt lỗ tròn^{A)}
- (23) Đầu định tâm của dao cắt lỗ tròn^{A)}

A) Phụ tùng được trình bày hay mô tả không phải là một phần của tiêu chuẩn hàng hóa được giao kèm theo sản phẩm. Bạn có thể tham khảo tổng thể các loại phụ tùng, phụ kiện trong chương trình phụ tùng của chúng tôi.

Mô Tả Sản Phẩm và Đặc Tính Kỹ Thuật



Đọc kỹ mọi cảnh báo an toàn và mọi hướng dẫn. Không tuân thủ mọi cảnh báo và hướng dẫn được liệt kê dưới đây có thể bị điện giật, gây cháy và / hay bị thương tật nghiêm trọng.

Xin lưu ý các hình minh họa trong phần trước của hướng dẫn vận hành.

Sử dụng đúng cách

Máy được thiết kế để cắt đứt và cắt loại bỏ gỗ, nhựa mù, kim loại, gốm sứ và cao su khi các vật liệu này nằm bám chắc trên vật gia công. Nó phù hợp cho các mặt cắt thẳng và cong với một góc vát chéo đến 45°. Nên tuân thủ các khuyến nghị loại lưỡi cưa nên sử dụng.

Các bộ phận được minh họa

Sự đánh số các biểu trưng của sản phẩm là để tham khảo hình minh họa của máy trên trang hình ảnh.

- (1) Nút khóa tự chạy của công tắc Tắt/Mở
- (2) Công tắc bật/tắt
- (3) Núm xoay chọn trước tần suất nhịp chạy
- (4) Chia vận lục giác
- (5) Đế đĩa
- (6) Công tắc thiết bị thổi mặt cưa
- (7) Gạt chỉnh đặt động tác xoay

Thông số kỹ thuật

Cưa xoi	GST 90 BE	
Mã số máy		3 601 E8F 0..
Điều khiển tần suất nhịp chạy		●
Công suất vào danh định	W	650
Tần suất nhịp chạy không tải n_0	min ⁻¹	500–3100
Nhịp chạy	mm	26
Công suất cắt tối đa		
– ở gỗ	mm	90
– ở nhôm	mm	20
– ở thép (không hợp kim)	mm	10
Cắt cạnh xiên (trái/phải), tối đa.	°	45
Trọng lượng theo Qui trình EPTA-Procedure 01:2014	kg	2,6
Cấp độ bảo vệ		□/II

Các giá trị đã cho có hiệu lực cho điện thế danh định [U] 230 V. Đối với điện thế thấp hơn và các loại máy dành riêng cho một số quốc gia, các giá trị này có thể thay đổi.

Sự lắp vào

- ▶ Trước khi tiến hành bất cứ việc gì trên máy, kéo phích cắm điện nguồn ra.

Thay/Lắp Lưới Cửa

- ▶ **Hãy mang găng tay bảo hộ khi lắp ráp hoặc thay dụng cụ.** Dụng cụ có cạnh sắc và có thể nóng khi sử dụng lâu.

Chọn Lưới Cửa

Bạn sẽ tìm thấy một tổng quan các lưới cửa khuyến nghị ở cuối hướng dẫn vận hành. Chỉ sử dụng lưới cửa có chuỗi gờ đơn (chuỗi chữ T). Lưới cửa không nên dài hơn mức cần thiết đối với dự kiến cắt.

Sử dụng lưới cửa bản hẹp khi cửa các đường cong gắt.

Lắp lưới cửa vào (xem hình A)

- ▶ **Vệ sinh trục của lưới cửa trước khi lắp.** Một trục bẩn có thể không được siết chặt.

Nhấn cần SDS (8) hướng về trước đến cỡ chặn và nhấn giữ. Hãy đẩy lưới cửa (10), với răng theo hướng cắt, cho đến khi khớp vào bộ phận gắn lưới cửa (13).

Khi sử dụng lưới cửa, lưu ý sao cho sống lưới cửa nằm trong rãnh của bánh lăn định hướng (9).

- ▶ **Kiểm tra lưới cửa có được bắt chắc vào.** Lưới cửa gắn vào còn lỏng có thể rơi ra và gây thương tích.

Tháo lưới cửa (xem Hình B)

Nhấn cần SDS (8) hướng về trước đến cỡ chặn và tháo lưới cửa (10).

Miếng chặn chống tưa (xem hình C)

Miếng chặn chống tưa (14) (phụ kiện) có thể giúp tránh việc cọ sòn mặt trên khi cửa gỗ. Miếng chặn chống tưa có thể chỉ được sử dụng với một số loại lưới cửa nhất định và chỉ với góc cắt từ 0°. Đế đĩa (5) không được di chuyển lùi ra sau để cắt ở điểm sát mé cạnh khi cửa với miếng chặn chống tưa.

Ấn miếng chặn chống tưa (14) từ dưới vào đế đĩa (5).

Hút Dăm/Bụi

Mặt bụi từ các vật liệu được sơn phủ ngoài có chứa chì trên một số loại gỗ, khoáng vật và kim loại có thể gây nguy hại đến sức khoẻ con người. Đừng chạm hay hít thở các bụi này có thể làm người sử dụng hay đứng gần bị dị ứng và/hoặc gây nhiễm trùng hệ hô hấp.

Một số mặt bụi cụ thể, ví dụ như bụi gỗ sồi hay đậu, được xem là chất gây ung thư, đặc biệt là có liên quan đến các chất phụ gia dùng xử lý gỗ (chất cromat, chất bảo quản gỗ). Có thể chỉ nên để thợ chuyên môn gia công các loại vật liệu có chứa amiăng.

- Cách xa ở mức có thể được, sử dụng hệ thống hút thích hợp cho loại vật liệu.
- Tạo không khí thông thoáng nơi làm việc.
- Khuyến nghị nên mang mặt nạ phòng độc có bộ lọc cấp P2.

Tuân thủ các qui định của quốc gia bạn liên quan đến loại vật liệu gia công.

- ▶ **Tránh không để rác tích tụ tại nơi làm việc.** Rác có thể dễ dàng bắt lửa.

Nắp che bụi (xem hình D)

Hãy lắp nắp che bụi (15), trước khi bạn kết nối dụng cụ điện với thiết bị hút bụi.

Hãy đặt nắp che bụi (15) lên dụng cụ điện, sao cho giá đỡ khớp trên thanh bảo vệ chống tiếp xúc (11).

Hãy tháo nắp che bụi (15) để làm việc không thiết bị hút bụi cũng như để cắt vát. Hãy kéo nắp che bụi về phía trước khỏi thanh bảo vệ chống tiếp xúc (11).

Nối thiết bị hút bụi (xem hình E–F)

Hãy đặt phần nối máy hút (16) vào rãnh của đế đĩa (5).

Hãy đảm bảo rằng các cam ở phần nối máy hút như hiển thị trong hình ảnh E khớp vào khe tương ứng của dụng cụ điện.

Cắm ống hút (17) (phụ kiện) vào phần nối máy hút (16). Nối ống hút (17) với một chiếc máy hút bụi (phụ kiện).

Ở phần cuối của tài liệu hướng dẫn này bạn sẽ tìm thấy phần tổng quan về việc kết nối ở các máy hút bụi khác nhau.

Hãy lắp tấm chắn mảnh vụn để hút tối ưu theo khả năng có thể (14).

Hãy ngắt bộ phận thổi mát cửa, nếu bạn đã kết nối thiết bị hút bụi.

Máy hút bụi phải thích hợp dành cho loại vật liệu đang gia công.

Khi hút bụi khô loại đặc biệt gây nguy hại đến sức khỏe hoặc gây ra ung thư, hãy sử dụng máy hút bụi loại chuyên dụng.

Vận Hành

Chế độ hoạt động

- ▶ **Trước khi tiến hành bất cứ việc gì trên máy, kéo phích cắm điện nguồn ra.**

Chỉnh Đặt Động Tác Xoay

Bốn vị trí chỉnh đặt động tác xoay cho phép ta đáp ứng theo tốc độ cắt, năng suất cắt và hình mẫu cắt trên vật liệu đang gia công được tốt nhất.

Với cần chỉnh (7), bạn có thể điều chỉnh độ dao động ngay cả khi đang vận hành.

Mức 0	Không có động tác xoay vòng
Mức I	Động tác xoay vòng nhỏ
Mức II	Động tác xoay vòng trung bình
Mức III	Động tác xoay vòng lớn

Sự chỉnh đặt động tác xoay tương ứng cho từng ứng dụng cụ thể sao cho tốt nhất có thể xác định

thông qua việc chạy thử thực tế. Các khuyến nghị cho sự ứng dụng như sau:

- Chọn đặt động tác xoay vòng thấp (hay tắt đi) để đường cắt có cạnh mịn và sạch láng.
- Hãy tắt tính năng dao động khi gia công các vật liệu mỏng (ví dụ, tấm kim loại).
- Làm việc với các vật liệu cứng (ví dụ, thép) với mức dao động nhỏ.
- Đối với các loại vật liệu mềm và khi cưa dọc theo số, vận hành với động tác xoay vòng tối đa.

Điều chỉnh góc mộng (xem hình G)

Để đĩa (5) có thể xoay phải hoặc trái đến 45° để thực hiện những nhát cắt vát.

Nắp che bụi (15), phần nổi máy hút (16) và tấm chắn mảnh vụn (14) có thể không được sử dụng khi cắt vát.

- Hãy nhấn phần nổi máy hút (16) nhẹ xuống dưới và kéo nó ra khỏi đế đĩa (5).
- Tháo nắp che bụi (15) và tấm chắn mảnh vụn (14) ra.
- Nới lỏng ốc vít (19) bằng cờ lê lục giác (4) và đẩy đế đĩa (5) nhẹ nhàng về hướng dây điện.
- Để điều chỉnh góc mộng chính xác, đế đĩa bên phải và bên trái có các chốt ở 0° và 45°. Hãy xoay đế đĩa (5) theo thước đo (18) tới vị trí mong muốn. Các góc mộng khác có thể điều chỉnh bằng cách sử dụng thước đo góc.
- Sau đó, hãy đẩy đế đĩa (5) về hướng lưỡi cưa cho đến khi dừng lại (10).
- Siết chặt vít (19) lại.

Sử dụng đế đĩa (xem hình G)

Để cắt sát mép, bạn có thể đặt lưỡi cưa (5) lùi về phía sau.

Nới lỏng vít (19) và đẩy nhẹ đế đĩa (5) theo hướng dây điện cho đến cũ chặn.

Siết chặt vít (19) lại.

Chỉ có thể sử dụng lưỡi cưa có đế đĩa lắp sẵn (5) với góc mộng 0°. Ngoài ra, không được sử dụng đường cạp cạnh có dao cắt lỗ tròn (22) (phụ kiện) cũng như miếng chặn chống tưa (14).

Bộ phận thổi mát cưa

Luồng gió từ thiết bị thổi mát cưa có thể giúp làm sạch mặt cưa khỏi đường cắt.



Bật bộ phận thổi mát: Bạn hãy đẩy công tắc (6) theo chiều phần nổi máy hút để làm việc với lượng mát cưa nhiều trên gỗ, nhựa, vv.



Hãy tắt bộ phận thổi mát cưa: Hãy đẩy công tắc (6) theo chiều bộ phận tổng mát cưa để làm việc trên kim loại và khi thiết bị hút bụi được kết nối.

Bắt Đầu Vận Hành

- ▶ **Hãy cẩn thận với nguồn điện! Điện thế nguồn phải đúng với điện thế đã ghi rõ trên nhãn máy. Dụng cụ điện được ghi 230 V cũng có thể được vận hành ở 220 V.**

Bật/Tắt

- ▶ **Hãy đảm bảo rằng, bạn có thể nhấn Công tắc bật/tắt, mà không cần nhả tay nắm.**

Để **bật** dụng cụ điện cầm tay, bạn hãy nhấn công tắc bật/tắt (2).

Để **khóa** công tắc bật/tắt (2), hãy bấm giữ công tắc và đẩy chốt khóa (1) sang phải hoặc trái.

Để **tắt** dụng cụ điện cầm tay hãy nhả công tắc bật/tắt (2). Khi công tắc bật/tắt bị khóa (2) hãy nhấn nó và sau đó nhả ra.

Điều Khiển/Chỉnh Đặt Trước Tần Suất Nhịp Chạy

Bạn có thể điều tiết liên tục tốc độ nhịp chạy của dụng cụ điện đã bật, tùy vào việc bạn nhấn công tắc Tắt/Mở như thế nào (2).

Bấm nhẹ công tắc bật/tắt (2) sẽ cho tốc độ nhịp cưa chậm. Tăng lực bóp cũng là làm tăng tần suất nhịp chạy.

Khi công tắc bật/tắt (2) bị khóa, không thể giảm tốc độ nhịp cưa.

Với núm vặn điều chỉnh tốc độ nhịp cưa (3), bạn có thể chọn trước tốc độ này và thay đổi trong khi đang vận hành thiết bị.

Tần suất nhịp chạy cần có tốt nhất tùy thuộc vào loại vật liệu và điều kiện làm việc và có thể xác định thông qua việc chạy thử thực tế.

Khuyến nghị nên làm giảm tần suất nhịp chạy khi lưỡi cưa bắt đầu ăn vào vật liệu cũng như khi cưa nhựa mù hay nhôm.

Sau một thời gian dài vận hành với tần suất nhịp chạy thấp, máy có thể bị nóng lên đáng kể. Tháo lưỡi cưa ra khỏi máy và làm cho máy nguội xuống bằng cách cho chạy với tần suất nhịp chạy tối đa trong khoảng 3 phút.

Hướng Dẫn Sử Dụng

- ▶ **Trước khi tiến hành bất cứ việc gì trên máy, kéo phích cắm điện nguồn ra.**
- ▶ **Tắt dụng cụ điện ngay nếu lưỡi cưa bị chặn.**
- ▶ **Khi gia công các vật liệu nhỏ hay mỏng, luôn luôn sử dụng vật dụng kê đỡ chắc chắn hay bàn mộc để cưa (phụ tùng).**

Kiểm tra phát hiện dị vật như kim, ốc vít các loại trước khi cưa trên gỗ thịt, gỗ ép, vật liệu xây dựng v.v. và loại bỏ chúng nếu cần.

Cắt xọc (xem hình H)

- ▶ **Chỉ được gia công các vật liệu mềm như gỗ, tấm vữa trong quy trình cưa chìm!**

Để cắt xọc, chỉ sử dụng lưỡi cưa ngắn. Chỉ có thể cắt xọc với góc mộng là 0°.

Hãy đặt dụng cụ chạy điện với cạnh trước của đế đĩa (5) lên chi tiết gia công mà không để lưới cửa (10) chạm vào chi tiết đó rồi bật dụng cụ. Đối với dụng cụ điện có bộ phận kiểm soát tốc độ nhíp chạy, chính đặt ở tốc độ nhíp chạy tối đa. Khiến dẫn dụng cụ điện thật chắc tay xuống vật gia công và để cho lưới cửa từ từ đâm xọc vào vật gia công. Ngay khi đế đĩa (5) gần chạm vào dụng cụ, hãy cửa tiếp dọc theo đường cắt mong muốn.

Dưỡng cặp cạnh có dao cắt lỗ tròn (phụ kiện)

Để làm việc với dưỡng cặp cạnh có dao cắt lỗ tròn (22) (phụ kiện), vật liệu gia công chỉ được phép dày tối đa là 30 mm.

Cắt song song (xem hình I): Nới lỏng vít xiết (21) và đẩy thước đo dưỡng cặp cạnh bằng ray (20) trên đế đĩa. Chính đặt độ rộng muốn có giống như trị số trên thước chia độ trên biên trong của cạnh đế đĩa. Vặn chặt vít xiết (21).

Cắt tròn (xem hình J): Khoan một lỗ trên đường cắt bên trong vòng tròn cần của đủ để đưa lưới cửa vào. Gia công lỗ bằng máy phay hoặc dũa để lưới cửa có thể nằm chính xác trên đường cắt.

Đặt vít xiết (21) lên mặt khác của dưỡng cặp cạnh. Đẩy thước đo của dưỡng cặp cạnh dọc ray dẫn hướng (20) vào đế đĩa. Khoan một lỗ giữa tâm vật gia công nằm trong phần bị cắt. Cắm đầu định tâm (23) vào lỗ trong của dưỡng cặp cạnh và lỗ đã khoan. Chính đặt khoảng cách của bán kính giống như trị số của thước chia độ trên biên trong của cạnh đế đĩa. Vặn chặt vít xiết (21).

Dung dịch làm mát/Bôi trơn

Khi cửa kim loại vật liệu gia công bị nóng lên, do đó; nên bôi dung dịch làm mát/bôi trơn dọc theo đường cắt.

Bảo Dưỡng và Bảo Quản

Bảo Dưỡng Và Làm Sạch

- ▶ **Trước khi tiến hành bất cứ việc gì trên máy, kéo phích cắm điện nguồn ra.**
- ▶ **Để được an toàn và máy hoạt động đúng chức năng, luôn luôn giữ máy và các khe thông gió được sạch.**

Nếu như cần phải thay dây dẫn điện thì công việc này phải do hãng **Bosch**, hay một đại lý được **Bosch** ủy nhiệm thực hiện để tránh gặp sự nguy hiểm do mất an toàn.

Làm sạch phần lắp lưới cửa thường xuyên. Để thực hiện, lấy lưới cửa trong máy ra và gõ nhẹ máy xuống chỗ có bề mặt phẳng.

Máy bị quá dơ có thể làm cho sự hoạt động bị trục trặc. Không cửa các vật liệu sinh nhiều bụi từ bên dưới hoặc phía trên đầu.

- ▶ **Luôn sử dụng thiết bị hút nếu có khả năng khi vận hành dụng cụ trong điều kiện khắc nghiệt. Thường xuyên thổi sạch các khe**

Thông gió và lắp đặt thiết bị ngắt mạch tự động (PRCD).

Khi gia công kim loại, các loại hạt bụi dẫn điện có thể lọt vào trong dụng cụ điện. Toàn bộ sự cách điện của dụng cụ điện có thể bị mất tác dụng.

Nếu bị bụi bịt kín, hãy tắt dụng cụ, tháo bầu hút bụi ra, làm sạch bụi và mùn cửa.

Thi thoảng, bôi trơn bánh lăn định hướng (9) với một giọt dầu.

Thường xuyên kiểm tra bánh lăn định hướng (9). Nếu bị mòn, phải đưa đến đại lý bảo hành-bảo trì do **Bosch** ủy nhiệm để thay.

Dịch vụ hỗ trợ khách hàng và tư vấn sử dụng

Bộ phận phục vụ hàng sau khi bán của chúng tôi trả lời các câu hỏi liên quan đến việc bảo dưỡng và sửa chữa các sản phẩm cũng như phụ tùng thay thế của bạn. Sơ đồ mô tả và thông tin về phụ tùng thay thế cũng có thể tra cứu theo dưới đây:

www.bosch-pt.com

Đội ngũ tư vấn sử dụng của Bosch sẽ giúp bạn giải đáp các thắc mắc về sản phẩm và phụ kiện.

Trong tất cả các phản hồi và đơn đặt phụ tùng, xin vui lòng luôn luôn nhập số hàng hóa 10 chữ số theo nhãn của hàng hóa.

Việt Nam

CN CÔNG TY TNHH BOSCH VIỆT NAM TẠI TP.HCM

Tầng 14, Ngôi Nhà Đức, 33 Lê Duẩn
Phường Bến Nghé, Quận 1, Thành Phố Hồ Chí Minh

Tel.: (028) 6258 3690

Fax: (028) 6258 3692 - 6258 3694

Hotline: (028) 6250 8555

Email: tuvankhachhang-pt@vn.bosch.com

www.bosch-pt.com.vn

www.baohanhbosch-pt.com.vn

Campuchia

Công ty TNHH Robert Bosch (Campuchia)

Đơn nguyên 8BC, GT Tower, Tầng 08, Đường 169,
Tiệp Khắc Blvd, Sangkat Veal Vong,

Khan 7 Makara, Phnom Penh

VAT TIN: 100 169 511

Tel.: +855 23 900 685

Tel.: +855 23 900 660

www.bosch.com.kh

Sự thải bỏ

Máy, linh kiện và bao bì phải được phân loại để tái chế theo hướng thân thiện với môi trường.



Không được thải bỏ dụng cụ điện vào chung với rác sinh hoạt!

مخصص للاستعمال الخارجي من خطر الصدمات الكهربائية.

◀ **إن لم يكن بالإمكان تجنب تشغيل العدة الكهربائية في الأجواء الرطبة، فاستخدم مفتاح للوقاية من التيار المتخلف.** إن استخدام مفتاح للوقاية من التيار المتخلف يقلل خطر الصدمات الكهربائية.

أمان الأشخاص

◀ **كن يقظا وانتبه إلى ما تفعله واستخدم العدة الكهربائية بتعقل.** لا تستخدم عدة كهربائية عندما تكون متعبا أو عندما تكون تحت تأثير المخدرات أو الكحول أو الأدوية. عدم الانتباه للحظة واحدة عند استخدام العدة الكهربائية قد يؤدي إلى إصابات خطيرة.

◀ **قم لارتداء تجهيزات الحماية الشخصية. وارتد دائما نظارات واقية.** يعد ارتداء تجهيزات الحماية الشخصية، كقناع الوقاية من الغبار وأحذية الأمان الواقية من الانزلاق والوذو أو واقية الأذنين، حسب ظروف استعمال العدة الكهربائية، من خطر الإصابة بجروح.

◀ **تجنب التشغيل بشكل غير مقصود.** تأكد من كون العدة الكهربائية مطفأة قبل توصيلها بالتيار الكهربائي و/أو بالمركم، وقبل رفعها أو حملها. إن كنت تضع إصبعك على المفتاح أثناء حمل العدة الكهربائية أو إن وصلت الجهاز بالشبكة الكهربائية بينما لامفتاح على وضع التشغيل، قد يؤدي إلى وقوع الحوادث.

◀ **انزع أداة الضبط أو مفتاح الربط قبل تشغيل العدة الكهربائية.** قد تؤدي الأداة أو المفتاح المتواجد في جزء دوار من الجهاز إلى الإصابة بجروح.

◀ **تجنب أوضاع الجسم غير الطبيعية.** قف بأمان وحافظ على توازنك دائما. سيسمح لك ذلك بالتمكّن في الجهاز بشكل أفضل في المواقف الغير متوقعة.

◀ **قم بارتداء ثياب مناسبة.** لا ترتد الثياب الفضفاضة أو الملّية. احرص على إبقاء الشعر والملابس بعيدا عن الأجزاء المتحركة. قد تتشابك الثياب الفضفاضة والملّية والشعر الطويل بالأجزاء المتحركة.

◀ **إن جاز تركيب تجهيزات شفت وتجميع الغبار، فتأكد من أنها موصولة وبأنه يتم استخدامها بشكل سليم.** قد يقلل استخدام تجهيزات لشفط الغبار من المخاطر الناتجة عن الغبار.

◀ **لا تستخدم العدة الكهربائية بلا مبالاة وتجاهل قواعد الأمان الخاصة بها نتيجة لتعودك على استخدام العدة الكهربائية وكثرة استخدامها.** فقد يتسبب الاستخدام دون حرص في حدوث إصابة بالغة تحدث في أجزاء من الثانية.

حسن معاملة واستخدام العدد الكهربائية

◀ **لا تفرط بتحميل الجهاز. استخدم لتفنيذ أشغالك العدة الكهربائية المخصصة لذلك.** إنك تعمل بشكل أفضل وأكثر أماناً بواسطة العدة الكهربائية الملائمة في مجال الأداء المذكور.

◀ **لا تستخدم العدة الكهربائية إن كان مفتاح تشغيلها تالف.** العدة الكهربائية التي لم يعد من

عربي

إرشادات الأمان

الإرشادات العامة للأمان بالعدد الكهربائية

⚠ **تحذير** اطلع على كافة تحذيرات الأمان والتعليمات والصور والمواصفات المرفقة بالعدة الكهربائية. عدم اتباع التعليمات الواردة أدناه قد يؤدي إلى حدوث صدمة كهربائية، إلى نشوب حريق و/أو الإصابة بجروح خطيرة.

احتفظ بجميع الملاحظات التحذيرية والتعليمات للمستقبل.

يقصد بمصطلح «العدة الكهربائية» المستخدم في الملاحظات التحذيرية، العدد الكهربائية الموصولة بالشبكة الكهربائية (بواسطة كابل الشبكة الكهربائية) وأيضا العدد الكهربائية المزودة بمركم (دون كابل الشبكة الكهربائية).

الأمان بمكان الشغل

◀ **حافظ على نظافة مكان شغلك وإضاءته بشكل جيد.** الفوضى في مكان الشغل ونطاقات العمل غير المضاءة قد تؤدي إلى وقوع الحوادث.

◀ **لا تشغل بالعدة الكهربائية في نطاق معرض لخطر الانفجار مثل الأماكن التي تتوفر فيه السوائل أو الغازات أو الأبخرة القابلة للاشتعال.** العدد الكهربائية تولد شررا قد يتطاير، فيشعل الأبخرة والأبخرة.

◀ **حافظ على بقاء الأطفال وغيرهم من الأشخاص بعيدا عندما تستعمل العدة الكهربائية.** تشتيت الانتباه قد يتسبب في فقدان السيطرة على الجهاز.

الأمان الكهربائي

◀ **يجب أن يتلائم قابس العدة الكهربائية مع المقبس.** لا يجوز تغيير القابس بأي حال من الأحوال. لا تستعمل القوايس المهينة مع العدد الكهربائية المؤرّضة (ذات طرف أرضي). تخفّض القوايس التي لم يتم تغييرها والمقابس الملائمة من خطر الصدمات الكهربائية.

◀ **تجنب ملامسة جسمك للأسطح المؤرّضة كالأنابيب والمبردات والمواقد أو التلّاجات.** يزداد خطر الصدمات الكهربائية عندما يكون جسمك مَوْض أو موصل بالأرضي.

◀ **أبعد العدة الكهربائية عن الأمطار أو الرطوبة.** يزداد خطر الصدمات الكهربائية إن تسرب الماء إلى داخل العدة الكهربائية.

◀ **لا تسيّ استعمال الكابل.** لا تستخدم الكابل في حمل العدة الكهربائية أو سحبها أو سحب القابس من المقبس. احرص على إبعاد الكابل عن الحرارة والزيت والحواف الحادة أو الأجزاء المتحركة. تزيد الكابلات التالفة أو المتشابكة من خطر الصدمات الكهربائية.

◀ **عند استخدام العدة الكهربائية خارج المنزل اقتصر على استخدام كابلات التمديد الصالحة للاستعمال الخارجي.** يقلل استعمال كابل تمديد

- ◀ أبعد يديك عن مجال النشر. لا تقبض بيدك إلى ما تحت قطعة الشغل. إن ملامسة نصل المنشار يؤدي إلى تشكل مخاطر الإصابة بجروح.
- ◀ وجه العدة الكهربائية نحو قطعة الشغل فقط عندما تكون في حالة التشغيل. قد يتشكل خطر الصدمات الارتدادية إن تكلبت عدة الشغل في قطعة الشغل.
- ◀ انتبه إلى ارتكاز صفيحة القاعدة بأمان أثناء النشر. إن نصل المنشار المنقبط قد يكسر أو قد يؤدي إلى صدمة ارتدادية.
- ◀ اطفئ العدة الكهربائية بعد إنهاء عملية الشغل ولا تسحب نصل المنشار عن القطع إلا بعد أن يتوقف عن الحركة. إنك ستجنب الصدمة الارتدادية بذلك وستتمكن من ركن العدة الكهربائية بأمان.
- ◀ انتظر إلى أن تتوقف العدة الكهربائية عن الحركة قبل أن تضعها جانباً. قد تتكلم عدة الشغل فتؤدي إلى فقدان السيطرة على العدة الكهربائية.
- ◀ استخدم فقط نصال المنشار الغير تالفة والسليمة تماما. إن نصال المنشار الملتوية أو الكليية قد تنكسر أو تؤثر سلبا على القطع أو قد تتسبب بصدمة ارتدادية.
- ◀ لا تكبح حركة نصل المنشار بعد الإطفاء بضغط جانبي معاكس. قد يتلف نصل المنشار أو يكسر أو يسبب صدمة ارتدادية.
- ◀ استخدم أجهزة تنقيب ملائمة للعثور على خطوط الامداد غير الظاهرة، أو استعن بشركة الامداد المحلية. ملامسة الخطوط الكهربائية قد تؤدي إلى اندلاع النار وإلى الصدمات الكهربائية. حدوث أضرار ببط الغاز قد يؤدي إلى حدوث انفجارات. اختراق خط الماء يشكل الأضرار المادية أو قد يؤدي إلى الصدمات الكهربائية.

وصف المنتج والأداء

- اقرأ جميع إرشادات الأمان والتعليمات. ارتكاب الأخطاء عند تطبيق إرشادات الأمان والتعليمات، قد يؤدي إلى حدوث صدمات كهربائية أو إلى نشوب الحرائق و/أو الإصابة بجروح خطيرة.



يرجى الرجوع إلى الصور الموجودة في الجزء الأول من دليل التشغيل.

الاستعمال المخصص

لقد خصصت العدة الكهربائية على القاعدة الثابتة لتنفيذ القطوع الفاصلة وعمل الفتحات في الخشب واللداين والمعادن والصفائح الخفيفة والمطاط. وتصلح لإجراء القطوع المستقيمة والمنحنية بزواوية شطب مائل حتى 45°. تراعى النصائح الخاصة بانصال المنشار.

الأجزاء المصورة

يشير ترقيم الأجزاء المصورة إلى رسوم العدة الكهربائية الموجودة في صفحة الرسوم التخطيطية.

(1) تثبيت مفتاح التشغيل والإطفاء

- الممكن التحكم بها عن طريق مفتاح التشغيل والإطفاء تعتبر خطيرة ويجب أن يتم إصلاحها.
- ◀ اسحب القابس من المقبس و/أو اخلع المركم، إذا كان قابلا للخلع، قبل ضبط الجهاز وقبل استبدال الملحقات أو قبل تخزين الجهاز. تمنع هذه الإجراءات وقائية تشغيل العدة الكهربائية بشكل غير مقصود.
- ◀ احتفظ بالعدد الكهربائية التي لا يتم استخدامها بعيدا عن متناول الأطفال. لا تسمح باستخدام العدة الكهربائية لمن لا خبرة له بها أو لمن لم يقرأ تلك التعليمات. العدد الكهربائية خطيرة إن تم استخدامها من قبل أشخاص دون خبرة.
- ◀ اعتن بالعدد الكهربائية والملحقات بشكل جيد. تأكد أن أجزاء الجهاز المتحركة مركبة بشكل سليم وغير مستعصية عن الحركة، وتفحص ما إن كانت هناك أجزاء مكسورة أو في حالة تؤثر على سلامة أداء العدة الكهربائية. ينبغي إصلاح هذه الأجزاء التالفة قبل إعادة تشغيل الجهاز. الكثير من الموادث مصدرها العدد الكهربائية التي تتم صيانتها بشكل رديء.
- ◀ احرص على إبقاء عدد القطع نظيفة وحادة. إن عدد القطع ذات حواف القطع المادة التي تم صيانتها بعناية تتكلم بشكل أقل ويمكن توجيهها بشكل أيسر.
- ◀ استخدم العدد الكهربائية والتوابع وريش الشغل إلخ. وفقا لهذه التعليمات. تراعى أثناء ذلك ظروف الشغل والعمل المراد تنفيذه. استخدام العدد الكهربائية لغير الأشغال المخصصة لأجلها قد يؤدي إلى حدوث الحلات الخطيرة.
- ◀ احرص على إبقاء المقابض وأسطح المسك جافة ونظيفة وخالية من الزيوت والشحوم. المقابض وأسطح المسك الزلقة لا تتبع التشغيل والتحكم الأمان في العدة في المواقف غير المتوقعة.

الخدمة

- ◀ احرص على إصلاح عدتك الكهربائية فقط بواسطة العمال المتخصصين وباستعمال قطع الغيار الأصلية فقط. يضمن ذلك المحافظة على أمان الجهاز.

تعليمات الأمان لمناشير قطع النماذج/ المنحنيات

- ◀ أمسك العدة الكهربائية من أسطح المسك المعزولة عند القيام بأعمال قد يترتب عليها ملامسة ملحقات القطع لأسلاك كهربائية غير ظاهرة أو للسلك الخاص بالعدة نفسها. ملامسة ملحقات القطع لسلك «مكهرب» قد يتسبب في مرور التيار في الأجزاء المعدنية من العدة وجعلها «مكهربة» مما قد يصيب المشغل بصدمة كهربائية.
- ◀ استخدم قامطات أو طريقة عملية أخرى لتأمين قطعة الشغل وتدعيمها على منصة ثابتة. مسك قطعة الشغل بيدك أو سندها على جسمك يجعلها غير ثابتة وقد يؤدي إلى فقدان السيطرة.

التركيب

◀ اسحب القابض من مقبس الشبكة الكهربائية قبل إجراء أي عمل على العدة الكهربائية.

تركيب/استبدال نصل المنشار

◀ احرص أثناء تركيب العدة الكهربائية أو تغييرها على ارتداء قفازات حماية. عدد الشغل حادة وقد تسخن عند الاستخدام لفترة طويلة.

اختيار نصل المنشار

تجد في نهاية هذا الدليل عرضا عاما لأنصال المنشار الموصى بها. اقتصِر على تركيب أنصال المناشير ذات رقبة التثبيت الأحادية (النصل T). ينبغي ألا يزيد طول نصل المنشار عن الطول المطلوب لأداء عملية القص المرغوبة.

استخدم نصل منشار رقيق من أجل نشر المنعطفات الضيقة.

تركيب شفرة المنشار (انظر الصورة A)

◀ قم بتنظيف ساق نصل المنشار قبل الاستخدام. لا يمكن تثبيت ساق متسخة بشكل آمن.

اضغط ذراع SDS (8) إلى الأمام حتى النهاية واحتفظ به مضغوطا. حرك شفرة المنشار (10)، مع توجيه الأسنان باتجاه القطع إلى أن تتعشق في حاضن شفرة المنشار (13).

احرص عند تركيب نصل المنشار على أن يستقر ظهر نصل المنشار في حز بكرة التوجيه (9).

◀ تفحص إحكام ثبات نصل المنشار. إن نصل المنشار الغير ثابت قد يسقط ليصيبك بجروح.

إخراج شفرة المنشار (انظر الصورة B)

اضغط الذراع SDS (8) إلى الأمام حتى النهاية وأخرج شفرة المنشار (10).

واقية البرادة (انظر الصورة C)

يمكن لواقية تمزق النشارة (14) (ملحق تكميلي) منع اقتلاع السطح الخارجي أثناء نشر الخشب. لا يمكن استخدام واقية تمزق النشارة إلا مع أنواع أنصال منشار محددة ومع زاوية قطع 90°. لا يسمح بنقل صفيحة القاعدة (5) إلى الخلف أثناء النشر مع استخدام واقية تمزق النشارة للنشر بالقرب من الحواف.

اضغط واقية البرادة (14) من أسفل في صفيحة القاعدة (5).

شفط الغبار/النشارة

إن غبار بعض المواد كالطلاء الذي يحتوي على الرصاص، وبعض أنواع الخشب والفلزات والمعادن، قد تكون مضرّة بالصحة. إن ملامسة أو استنشاق غبار قد يؤدي إلى أعراض حساسية و/أو إلى أمراض الجهاز التنفسي لدى المستخدم أو لدى الأشخاص المتواجدين على مقربة من المكان.

تعتبر بعض الأغبرة المعينة، كأغبرة البلوط والزنان، مسببة للسرطان، ولا سيما عند الارتباط بالمواد الإضافية لمعالجة الخشب (ملح جامض الكروميك، المواد الحافظة للخشب). يجوز أن يتم معالجة المواد

- (2) مفتاح التشغيل والإطفاء
 - (3) طارة ضبط عدد الأشواط مسبقا
 - (4) مفتاح ربط سداسي الحواف
 - (5) صفيحة القاعدة
 - (6) مفتاح تجهيزة نفخ النشارة
 - (7) ذراع ضبط التارجع
 - (8) ذراع SDS لتحرير شفرة المنشار
 - (9) بكرة التوجيه
 - (10) شفرة المنشار^(A)
 - (11) واقية للمس
 - (12) مقبض (مقبض مسك معزول)
 - (13) حاضن شفرة المنشار
 - (14) واقية النشارة^(A)
 - (15) غطاء حماية للشفاط
 - (16) فوهة الشفط
 - (17) خرطوم الشفط^(A)
 - (18) مقياس زوايا الشطب المائلة
 - (19) لولب صفيحة القاعدة
 - (20) موجه مصد التوازى
 - (21) لولب تثبيت مصد التوازى^(A)
 - (22) مصد التوازى المزود بأداة قطع مستديرة^(A)
 - (23) طرف تمرکز أداة القطع المستديرة^(A)
- (A) لا تتضمن إطار التوريد الاعتيادي التوابع المصورة أو المشروحة. تجد التوابع الكاملة في برنامجنا للتوابع.

البيانات الفنية

منشار الأركت		GST 90 BE
رقم الصنف		3 601 E8F 0..
التحكم بعدد الأشواط		●
قدرة الدخل الاسمية	واط	650
عدد الأشواط الاحملي n ₀	دقيقة ⁻¹	3100-500
الشوط	مم	26
عمق القطع الأقصى		
- في الخشب	مم	90
- في الألومنيوم	مم	20
- في الفولاذ (غير المسبوك)	مم	10
زاوية القطع القصوى (يسار/يمين)	°	45
الوزن حسب EPTA-Procedure 01:2014	كجم	2,6
فئة الحماية		II/□

تسري البيانات على جهد اسمي [U] يبلغ 230 فلفط. قد تختلف تلك البيانات حسب اختلاف الجهد والطرزات الخاصة بكل دولة.

- الدرجة III تأرجح كبير
- يمكن استنتاج حركة الترجح المثالية لكل حالة تشغيل بالتجربة العملية. وينصح عند ذلك بما يلي:
- كلما رغبت بزيادة نعومة أو نظافة حافة القطع، كلما توجب تصغير حركة الترجح أو إطفائها.
 - قم بإيقاف الترجح أثناء معالجة الخامات الرفيعة (الصفائح مثلاً).
 - قم بالعمل في الخامات الصلبة (مثل الفولاذ) بترجح صغير.
 - يمكنك أن تشتغل بحركة الترجح القصوى عند معالجة مواد الشغل الطرية وعند نشر الخشب باتجاه الألياف.

ضبط زاوية الشطب المائل (انظر الصورة G)


- يمكن تحريك صفيحة القاعدة (5) لعمل قطوع الشطب المائل بزاوية 45° إلى اليمين أو إلى اليسار. لا يمكن استخدام غطاء الحماية (15) وفوهة الشفط (16) وواقية النشارة (14) في حالة قطوع الشطب المائلة.
- اضغط فوهة الشفط (16) إلى أسفل بعض الشيء واسحبها من صفيحة القاعدة (5).
 - اخلع غطاء الحماية (15) وواقية النشارة (14).
 - قم بحل اللولب (19) باستخدام مفتاح سداسي الرأس المجوف (4) وحرك صفيحة القاعدة (5) بقدر بسيط في اتجاه كابل الكهرباء.
 - لضبط زاوية شطب مائل بصورة دقيقة، يوجد بصفيحة القاعدة على اليمين وعلى اليسار نقاط تثبيت عند الزاوية 0° و 45°. قم بتحريك صفيحة القاعدة (5) طبقاً للتدريج (18) إلى الوضع المرغوب. يمكن ضبط زوايا شطب مائلة أخرى بواسطة منقلة.
 - حرك بعد ذلك صفيحة القاعدة (5) في اتجاه شفرة المنشار حتى النهاية (10).
 - أحكم ربط اللولب (19) مرة أخرى.


نقل صفيحة القاعدة (انظر الصورة G)

- يمكنك نقل صفيحة القاعدة (5) إلى الخلف عند النشر بالقرب من الحواف.
- قم بحل اللولب (19) وحرك صفيحة القاعدة (5) حتى النهاية في اتجاه كابل الكهرباء.
- أحكم ربط اللولب (19) مرة أخرى.
- لا يمكن النشر بعد نقل صفيحة القاعدة (5) إلا بزاوية قطع شطب مائل 0°. علاوة على ذلك لا يجوز استخدام مصد التوازي المزود بأداة قطع مستديرة (22) (توابع) بالإضافة إلى واقية البرادة (14).

تجهيز نفخ النشارة

- يمكن باستخدام تيار الهواء مع تجهيز نفخ النشارة إبقاء خط القطع خالياً من قطع النشارة.

0  تشغيل تجهيز نفخ النشارة: حرك المفتاح في اتجاه فوهة الشفط للعمل على إزالة قطع النشارة الكبيرة في الخشب، البلاستيك، إلخ (6).

0  إطفاء تجهيز نفخ النشارة: حرك المفتاح في اتجاه شفرة المنشار للعمل في

التي تحتوي على الأسبستوس من قبل العمال المتخصصين فقط دون غيرهم.

- استخدم شافطة غبار ملائمة للمادة قدر الإمكان.
 - حافظ على تهوية مكان الشغل بشكل جيد.
 - ينصح بارتداء قناع وقاية للتنفس بفئة المرشح P2. تراعى الأحكام السارية في بلدكم بالنسبة للمواد المرغوب معالجتها.
- ◀ **تجنب تراكم الغبار بمكان العمل.** يجوز أن تشتعل الأعبرة بسهولة.

غطاء الحماية (انظر الصورة D)

- قم بتركيب غطاء الحماية (15)، قبل توصيل العدة الكهربائية بتجهيز شفط الغبار.
- قم بتركيب غطاء الحماية (15) على العدة الكهربائية بحيث يثبت العامل على واقية اللمس (11).
- اخلع غطاء الحماية (15) للعمل دون تجهيز شفط الغبار ولعمل قطوع الشطب المائل. للقيام بهذا اسحب غطاء الحماية إلى الأمام لخلعه من واقية اللمس (11).

توصيل تجهيز شفط الغبار (انظر الصور F-E)

- قم بتركيب فوهة الشفط (16) في تجويف صفيحة القاعدة (5).
- احرص على أن يكون البروز الموجود بفوهة الشفط كما هو موضح بالصورة E مستقراً في التجويف المعني بالعدة الكهربائية.
- قم بتركيب خرطوم الشفط (17) (ملحق تكميلي) على فوهة الشفط (16). قم بتوصيل خرطوم الشفط (17) بشفاط الغبار (ملحق تكميلي).
- تجد في نهاية هذا الدليل عرضاً عاماً للتوصيل بشفاطات الغبار المختلفة.
- للشفط المثالي قدر الإمكان قم بتركيب واقية تمزق النشارة (14).
- قم بإيقاف تجهيز نفخ النشارة، عند تشغيل شافطة الغبار.
- يجب أن تصلح شافطة الغبار الخوائية للاستعمال مع مادة الشغل المرغوب معالجتها.
- استخدم شافطة غبار خوائية خاصة عند شفط الأعبرة المضرة بالصحة أو المسببة للسرطان أو الشديدة الجفاف.

التشغيل

طرق التشغيل

- ◀ **اسحب القابس من مقبس الشبكة الكهربائية قبل إجراء أي عمل على العدة الكهربائية.**

ضبط التأرجح

- تسمح حركة الترجح القابلة للضبط في أربع درجات بملائمة سرعة القطع وقطرة القطع وهيئة القطع مع المادة المرغوب معالجتها بشكل مثالي.
- باستخدام ذراع الضبط (7) يمكنك ضبط الترجح أثناء التشغيل أيضاً.

- الدرجة 0 دون تأرجح
الدرجة I تأرجح صغير
الدرجة II تأرجح متوسط

النشر الغاطس (انظر الصورة H)

◀ يجب الاقتصار على استخدام خامات لينة مثل الخشب والورق المقوى المخصص في أعمال النشر الغاطس!

استخدم بالنشر الغاطس نصال المنشار القصيرة فقط. يمكن القيام بالنشر الغاطس فقط عند زاوية شطب مائلة تبلغ 0°.

قم بوضع العدة الكهربائية مع الحافة الأمامية لصفحة القاعدة (5) على قطعة الشغل، مع مراعاة عدم تلامس شفرة المنشار (10) لقطعة الشغل، ثم قم بتشغيل العدة الكهربائية. عبر عدد الأشواط الأقصى بالعدد الكهربائية المزودة بتمكك بعدد الأشواط. اضغط على العدة الكهربائية بقوة في قطعة الشغل، واجعل شفرة المنشار تتوغل ببطء داخل قطعة الشغل.

عندما تستقر صفحة القاعدة (5) على قطعة الشغل بشكل مسطح تماما، واصل النشر بمحاذاة خط القطع المرغوب.

مصد التوازي المزود بأداة قطع مستديرة (ملحق تكميلي)

للعمل باستخدام مصد التوازي المزود بأداة قطع مستديرة (22) (ملحق تكميلي) يجب أن يبلغ سمك قطعة الشغل 30 مم بعد أقصى.

القطاعات المتوازية (انظر الصورة I): قم بحل لولب التثبيت (21) وتحريك تدريج مصد التوازي عبر المسار الدليلي (20) في صفحة القاعدة. اضبط قيمة عرض القطع المرغوب على المقياس بالحافة الداخلية بصفحة القاعدة. أحكم ربط لولب التثبيت (21).

القطوعات المستديرة (انظر الصورة J): قم بعمل ثقب على خط القطع داخل الدائرة المراد نشرها، بكفي لتمرير نصل المنشار. عالج الثقب بواسطة فارزة أو مبرد، لكي تستطيع أن تسند نصل المنشار على خط القص بتساطح.

قم بتركيب لولب التثبيت (21) على الجهة المقابلة لمصد التوازي. قم بتحريك تدريج مصد التوازي عبر المسار الدليلي (20) في صفحة القاعدة. اثقب ثقباً في قطعة الشغل بمننتص القطعة المرغوب نشرها. قم بتمرير طرف التمركز (23) عبر الفتحة الداخلية لمصد التوازي وفي الثقب الذي تم فتحه. اضبط قيمة القطر على المقياس بالحافة الداخلية بصفحة القاعدة. أحكم ربط لولب التثبيت (21).

مواد التبريد/التشحيم

يفضل دهن مواد التبريد أو التشحيم على مسار خط القطع عند نشر المعادن بسبب ارتفاع حرارة المادة.

الصيانة والخدمة

الصيانة والتنظيف

◀ اسحب القابض من مقبض الشبكة الكهربائية قبل إجراء أي عمل على العدة الكهربائية.

◀ للعمل بشكل جيد وأمن حافظ دائماً على نظافة العدة الكهربائية وفتحات التهوية.

إذا تطلب الأمر استبدال خط الإمداد، فينبغي أن يتم ذلك من قبل شركة Bosch أو من قبل مركز خدمة الزبائن المعتمد لشركة Bosch للعدد الكهربائية، لتجنب التعرض للمخاطر.

المعدن أو عند تشغيل شافطة الغبار (6).

بدء التشغيل

◀ يراعى جهد الشبكة الكهربائية! يجب أن يتطابق جهد منبع التيار مع البيانات المذكورة على لوحة صنع العدة الكهربائية. يمكن أن يتم تشغيل العدد الكهربائية المميزة بعلامة 230 فلط في مقبس 220 فلط أيضاً.

التشغيل والإطفاء

◀ تأكد أنه بإمكانك الضغط على زر التشغيل/الإيقاف دون ترك المقبض اليدوي.

لغرض تشغيل العدة الكهربائية، اضغط على مفتاح التشغيل/الإطفاء (2).

لغرض تثبيت مفتاح التشغيل/الإطفاء (2)، أمسك مفتاح التشغيل/الإطفاء المضغوط عليه وقم بتحريك القفل (1) يمينا ويسارا.

لغرض إطفاء العدة الكهربائية، اترك مفتاح التشغيل/الإطفاء (2). في حالة ثبات زر التشغيل/الإطفاء (2)، اضغط عليه أولاً ثم اتركه بعد ذلك.

التحكم بعدد الأشواط/ضبطه مسبقاً

يمكنك أن تتحكم بعدد أشواط العدة الكهربائية قيد التشغيل دون تدريج، حسب مدى الضغط على مفتاح التشغيل والإطفاء (2).

يؤدي الضغط الخفيف على مفتاح التشغيل والإطفاء (2) إلى عدد أشواط منخفض. يزداد عدد الأشواط بزيادة الضغط.

إلا أنه لا يمكن تغييره عندما يكون مفتاح التشغيل والإطفاء (2) مثبتاً.

يمكنك أن تضبط عدد الأشواط مسبقاً وأن تغيره أثناء التشغيل بواسطة طارة الضبط المسبق لعدد الأشواط (3).

يتعلق عدد الأشواط المطلوب بمادة الشغل وبظروف العمل ويمكن استنتاجه من خلال التجربة العملية.

ينصح بتخفيض عدد الأشواط عند تنزيل نصل المنشار على قطعة الشغل وأيضاً عند نشر اللدائن والالمنيوم.

في حالة العمل لفترة طويلة نسبياً بعدد أشواط قليل يمكن أن تسخن العدة الكهربائية بشدة. فك نصل المنشار وشغل العدة الكهربائية بعدد الأشواط الأقصى لمدة 3 دقائق تقريباً لتبريد العدة الكهربائية.

إرشادات العمل

◀ اسحب القابض من مقبض الشبكة الكهربائية قبل إجراء أي عمل على العدة الكهربائية.

◀ أوقف العدة الكهربائية على الفور في حالة تعرض نصل المنشار للانحصار.

◀ استخدم دائماً قاعدة ثابتة أو قاعدة منشار (من التوازي) عند معالجة قطع الشغل الصغيرة أو الرقيقة.

اقصص الخشب واللواح الخشب المضغوط ومواد البناء وما شابه قبل نشرها من حيث وجود أغراض غريبة بها كالمسامير واللواب وما شابه، وأزلها إن وجدت.

العراق

Sahba Technology Group
شارع مطار المثنى
بغداد
هاتف بغداد: +964 (0) 7 901 930366
هاتف دبي: +971 (0) 4 422 1898
البريد الإلكتروني: duraid@sahbatechnology.com

الأردن

شركة الجذور العربية Roots Arabia - الأردن
شارع الحرية، المقابلين
عمان 11623، الأردن
صندوق بريد: 110068
هاتف: +962 6 4398990
البريد الإلكتروني: bosch@rootsjordan.com

الكويت

منطقة الشويخ الصناعية، مبنى 1، قطعة 16، شارع
رقم 3
صندوق بريد صندوق 164 - 13002 الصفاة
هاتف: 24810844
فاكس: 24810879
بريد إلكتروني: josephkr@aaalmutawa.com

لبنان

طحيني هنا وشركاه ش.ذ.م.م.
صندوق بريد صندوق 90-90
جديده
الدورة-بيروت
هاتف: +9611255211
بريد إلكتروني: service-pt@tehini-hana.com

المغرب

Robert Bosch Morocco SARL
53، شارع الملازم محمد محروم
20300 الدار البيضاء
الهاتف: +212 5 29 31 43 27
البريد الإلكتروني: sav.outillage@ma.bosch.com

عمان

ملتن للتجارة والمقاولات ش.م.م.
صندوق بريد 131، روى، مسقط
الكود البريدي: 112، سلطنة عمان
هاتف: +968 2479 4035/4089/4901
جوال: +968-91315465
فاكس: +968 2479 4058
البريد الإلكتروني: sudhirkumar@malatan.net

قطر

الدولية لحلول البناء ش.م.م.
صندوق بريد صندوق 51،
هاتف الدوحة: +974 40065458
فاكس: +974 4453 8585
بريد إلكتروني: csd@icsdoha.com

المملكة العربية السعودية

شركة الجفلي للمعدات الفنية (جيتكو)
صندوق بريد: 1049 - جدة 21431 - المملكة العربية
السعودية
جدة: 00966 (0) 12 692 0770 - داخلي 433
الرياض: 00966 (0) 11 409 3976 -
داخلي 30/34/39

نظف حاضن نصل المنشار بشكل منتظم. انزع نصل
المنشار عن العدة الكهربائية لتنفيذ ذلك ثم انفض
العدة الكهربائية بخفة على سطح مستو.

قد يؤدي اسباخ العدة الكهربائية بشكل شديد إلى
خلل بالتشغيل. لذلك لا تقم بنشر الغامات التي ينتج
عنها غبار كثيف من أسفل أو من مستوى أعلى من
الراس.

◀ احرص دائما على استخدام وحدة شفت في

**ظروف العمل القاسية قدر الإمكان. قم
بتنظيف فتحات التهوية عن طريق نفخ الهواء
عدة مرات، و قم بتوصيل مفتاح للوقاية من
التيار المتخلف (PRCD) بشكل مسبق. قد
يترسب الغبار الموصّل للكهرباء داخل العدة
الكهربائية عند معالجة المعادن. قد يضر ذلك
بعزل العدة الكهربائية.**

إذا انسد مخرج الغبار، قم بإطفاء العدة الكهربائية،
واخلع تجهيزة شفت الغبار و قم بإزالة الغبار والتشارة
منها.

قم بتزليق بكرة التوجيه (9) من وقت لآخر باستخدام
قطرة زيت.

تفحص بكرة التوجيه (9) بانتظام. إن كانت مستهلكة،
يجب استبدالها من قبل مركز خدمة عملاء معتمد تابع
لشركة Bosch.

خدمة العملاء واستشارات الاستخدام

يجب مركز خدمة العملاء على الأسئلة المتعلقة بإصلاح
المنتج وصيانتة، بالإضافة لقطع الغيار. تجد الرسوم
التفصيلية والمعلومات الخاصة لقطع الغيار في
الموقع: www.bosch-pt.com

يسر فريق Bosch لاستشارات الاستخدام مساعدتك
إذا كان لديك أي استفسارات بخصوص منتجاتنا
وملحقاتها.

يلزم ذكر رقم الصنف ذو اللغات العشر وفقا للوحة
صنع المنتج عند إرسال أية استفسارات أو طلبيات
قطع غيار.

الجزائر

سيستال
منطقة الحدادين الصناعية
06000 بجاية
هاتف: +213 (0) 982 400 991/2
فاكس: +213 (0) 3 420 1569
بريد إلكتروني: sav@siestal-dz.com

البحرين

شركة الجفلي وإخوانه للمعدات الفنية.
مملكة البحرين، العكر - بلوك 0624 - شارع 2403 -
مبنى 0055D
الهاتف: +97317704537
فاكس: +973177045257
البريد الإلكتروني: h.berjas@ejab.com.sa

مصر

RBEG-LLC
22 كمال الدين حسين
شيراتون هليوبوليس
11799 القاهرة
البريد الإلكتروني:
boschegypt.powertools@eg.bosch.com

الدمام: 00966 (0) 13 833 9565
البريد الإلكتروني: M.Zreik@ejab.com.sa

سوريا

مؤسسة دلال للمعدات الكهربائية
دمشق، شارع البرامكة - شارع بن عامر
هاتف: 009631122414009 أو +963112241006
الجوال: 00963991141005
البريد الإلكتروني: rita.dallal@hotmail.com

تونس

روبرت بوش تونس ش.ذ.م.م
7 زنقة ابن بطوطة Z.I. سان جوبان
مقرين رياض
2014 ابن عروس
هاتف: +216 71 427 496/879
فاكس: +216 71 428 621
بريد إلكتروني: sav.outillage@tn.bosch.com

الإمارات العربية المتحدة

المركزية للسيارات والمعدات،
صندوق بريد 26255، دبي
دبي: 00971 (0) 4 3090920/3090930
أبو ظبي: 00971 (0) 2 4017745
الشارقة: 00971 (0) 6 5932777
العين: 00971 (0) 3 7157419
البريد الإلكتروني:
Mallappa.Madari@centralmotors.ae

اليمن

مؤسسة أبو الرجال التجارية
صنعا، شارع الزبيري. أمام مبنى البرلمان الجديد
هاتف: +967-1-202010
فاكس: +967-1-471917
بريد إلكتروني: tech-tools@abualrejal.com
yahya@abualrejal.com

التخلص من العدة الكهربائية

ينبغي تسليم العدة الكهربائية والتوابع والعبوة إلى
مركز معالجة النفايات بطريقة محافظة على البيئة.
لا ترم العدة الكهربائية ضمن النفايات
المنزلية.



فارسی

دستورات ایمنی

نکات ایمنی عمومی برای ابزارهای برقی

⚠ هشدار

کلیه هشدارها،

دستورالعملها، تصاویر و

مشخصات ارائه شده به همراه ابزار برقی را

مطالعه کنید. اشتباهات ناشی از عدم رعایت این

دستورات ایمنی ممکن است باعث برق گرفتگی،

سوختگی و یا سایر جراحات های شدید شود.

کلیه هشدارهای ایمنی و راهنماییها را برای

آینده خوب نگهداری کنید.

عبارت «ابزار برقی» در هشدارها به ابزارهایی که به

پریز برق متصل میشوند (با سیم برق) و یا ابزارهای

برقی باتری دار (بدون سیم برق) اشاره دارد.

ایمنی محل کار

◀ محیط کار را تمیز و روشن نگه دارید. محیطهای

در هم ریخته یا تاریک احتمال بروز حادثه را

افزایش میدهند.

◀ ابزار برقی را در محیطهایی که خطر انفجار

وجود دارد و حاوی مایعات، گازها و بخارهای

مخترقه هستند، به کار نگیرید. ابزارهای برقی

چرقههایی ایجاد میکنند که میتوانند باعث آتش

گرفتن گرد و غبارهای موجود در هوا شوند.

◀ هنگام کار با ابزار برقی، کودکان و سایر

افراد را از دستگاه دور نگه دارید. در

صورتیکه حواس شما پرت شود، ممکن است کنترل

دستگاه از دست شما خارج شود.

ایمنی الکتریکی

◀ دوشاخه ابزار برقی باید با پریز برق تناسب

داشته باشد. هیچگونه تغییری در دوشاخه

ایجاد نکنید. مبدل دوشاخه نباید همراه با

ابزار برقی دارای اتصال زمین استفاده شود.

دوشاخههای اصل و تغییر داده نشده و پریزهای

مناسب، خطر برق گرفتگی را کاهش میدهند.

◀ از تماس بدنی با قطعات متصل به سیم

اتصال زمین مانند لوله، شوفاژ، اجاق برقی و

یخچال خودداری کنید. در صورت تماس بدنی با

سطوح و قطعات دارای اتصال به زمین و همچنین

تماس شما با زمین، خطر برق گرفتگی افزایش

می یابد.

◀ ابزارهای برقی را در معرض باران و رطوبت

قرار ندهید. نفوذ آب به ابزار برقی، خطر شوک

الکتریکی را افزایش میدهد.

◀ از سیم دستگاه برای مقاصد دیگر استفاده

نکنید. هرگز برای حمل ابزار برقی، کشیدن آن

یا خارج کردن دوشاخه از سیم دستگاه

استفاده نکنید. کابل دستگاه را از حرارت،

روغن، لیبهای تیز یا قطعات متحرک دور نگه

دارید. کابلهای آسیب دیده و یا گره خورده خطر

شوک الکتریکی را افزایش میدهند.

◀ هنگام استفاده از ابزار برقی در محیطهای باز،

تنها از کابل رابطی استفاده کنید که برای

محیط باز نیز مناسب باشد. کابل های رابط

مناسب برای محیط باز، خطر برق گرفتگی را کم می کنند.

◀ در صورت لزوم کار با ابزار برقی در محیط و

اماکن مرطوب، باید از یک کلید حفاظتی جریان

خطا و نشتی زمین (کلید قطع کننده اتصال با

زمین) استفاده کنید. استفاده از کلید حفاظتی

جریان خطا و نشتی زمین خطر برق گرفتگی را

کاهش می دهد.

رعایت ایمنی اشخاص

◀ حواس خود را خوب جمع کنید، به کار خود

دقت کنید و با فکر و هوشیاری کامل با ابزار

برقی کار کنید. در صورت خستگی و یا در

صورتی که مواد مخدر، الکل و دارو استفاده

کردهاید، با ابزار برقی کار نکنید. یک لحظه بی

توجهی هنگام کار با ابزار برقی، میتواند جرات

های شدیدی به همراه داشته باشد.

◀ از تجهیزات ایمنی شخصی استفاده کنید.

همواره از عینک ایمنی استفاده نمایید.

استفاده از تجهیزات ایمنی مانند ماسک ضد گرد و

غبار، کفشهای ایمنی ضد لغزش، کلاه ایمنی و

گوشی محافظ متناسب با نوع کار با ابزار برقی،

خطر مجروح شدن را کاهش میدهد.

◀ مواظب باشید که ابزار برقی بطور ناخواسته

بکار نیفتد. قبل از وارد کردن دوشاخه

دستگاه در پریز برق، اتصال آن به باتری،

برداشتن آن و یا حمل دستگاه، باید دقت

کنید که ابزار برقی خاموش باشد. در صورتی

که هنگام حمل دستگاه انگشت شما روی دکمه

قطع و وصل باشد و یا دستگاه را در حالت روشن

به برق بزنید، ممکن است سوانع کاری پیش آید.

◀ قبل از روشن کردن ابزار برقی، همه ابزارهای

تنظیم کننده و آپارها را از روی دستگاه

بردارید. ابزار و آپارهایی که روی بخش های

چرخنده دستگاه قرار دارند، میتوانند باعث ایجاد

جرات شوند.

◀ وضعیت بدن شما باید در حالت عادی قرار

داشته باشد. برای کار جای مطمئنی برای

خود انتخاب کرده و تعادل خود را همواره

حفظ کنید. به این ترتیب میتوانید ابزار برقی را در

وضعتهای غیر منتظره بهتر تحت کنترل داشته

باشید.

◀ لباس مناسب بپوشید. از پوشیدن لباسهای

گشاد و حمل زینت آلات خودداری کنید.

موها و لباس خود را از بخشهای در حال

چرخش دستگاه دور نگه دارید. لباسهای گشاد،

موی بلند و زینت آلات ممکن است در قسمتهای

در حال چرخش دستگاه گیر کنند.

◀ در صورتی که تجهیزاتی برای اتصال وسائل

مکش گرد و غبار و یا وسیله جمع کننده گرد

و غبار ارائه شده است، باید مطمئن شوید که

این وسائل درست نصب و استفاده

می شوند. استفاده از وسائل مکش گرد و غبار

مصونیت شما را در برابر گرد و غبار زیاده تر میکند.

◀ آشنایی با ابزار به دلیل کار کردن زیاد با آن

نباید باعث سهل انگاری شما و نادیده گرفتن

اصول ایمنی شود. بی دقتی ممکن است باعث

بروز جراحاتی در عرض کسری از ثانیه شود.

فلزی دستگاه نیز انتقال دهد و باعث برق گرفتگی شود.

◀ جهت ایمن و تثبیت کردن قطعه کار از گیره را یا سایر راههای تثبیت قطعه کار استفاده کنید. نگه داشتن قطعه کار با دست یا تکیه دادن آن به بدن باعث بی ثباتی آن و از دست دادن کنترل روی آن می گردد.

◀ دستهایتان را از اطراف محدوده ارهکاری دور نگاهدارید. دست خود را به قسمت زیر قطعه کار نزدیک نکنید. تماس با تیغه اهر باعث جراحت خواهد شد.

◀ ابزار برقی را تنها در حال روشن بودن به طرف قطعه کار برانید. در غیر اینصورت ممکن است ابزار روی دستگاه در قطعه کار گیر کرده و باعث ضربه زدن (پس زدن) دستگاه شود.

◀ توجه داشته باشید که صفحه پایه هنگام اهر کردن بطور مطمئن روی قطعه قرار گیرد. اگر تیغه اهر در قطعه کار گیر کند، ممکن است بشکند و یا باعث ضربه برگشتی (پس زدن) دستگاه شود.

◀ بعد از انجام کار، ابزار برقی را خاموش کرده و تیغه اهر را هنگامی از داخل برش قطعه خارج کنید که دستگاه کاملاً متوقف شده باشد. بدین ترتیب از ضربه زدن (پس زدن) دستگاه جلوگیری بعمل می آید و میتوانید ابزار برقی را بطور مطمئن کنار بگذارید.

◀ قبل از کنار گذاشتن ابزار برقی صبر کنید تا دستگاه بطور کامل از کار و حرکت بایستد. ابزار ممکن است به قطعه کار گیر کرده و کنترل ابزار برقی از دست شما خارج شود.

◀ تنها از تیغه ارههای سالم و بی نقص استفاده کنید. تیغه ارههای تاپ دار و کند ممکن است بشکنند، برش را تحت تأثیر منفی قرار دهند یا منجر به پس زدن شوند.

◀ بعد از خاموش کردن دستگاه، تیغه اهر را با وارد آوردن فشار جانبی به آن، متوقف نکنید. تیغه اهر ممکن است آسیب دیده، بشکند و یا باعث پس زدن دستگاه شود.

◀ برای پیدا کردن لوله ها و سیم های پنهان موجود در ساختمان و محدوده کار، از یک دستگاه ردیاب مخصوص برای یافتن لوله ها و سیمهای تأسیسات استفاده کنید و یا با شرکت های کارهای تأسیسات ساختمان و خدمات مربوطه تماس بگیرید. تماس با کابل و سیمهای برق ممکن است باعث آتشسوزی و یا برق گرفتگی شود. ایراد و آسیب دیدگی لوله گاز میتواند باعث انفجار شود. سوراخ شدن لوله آب، باعث خسارت و یا برق گرفتگی میشود.

توضیحات محصول و کارکرد

همه دستورات ایمنی و راهنماییها را بخوانید. اشتباهات ناشی از عدم رعایت این دستورات ایمنی ممکن است باعث برقگرفتگی، سوختگی و یا سایر جراحات های شدید شود.



به تصویرهای واقع در بخشهای اول دفترچه راهنما توجه کنید.

استفاده صحیح از ابزار برقی و مراقبت از آن

◀ از وارد کردن فشار زیاد روی دستگاه خودداری کنید. برای هر کاری، از ابزار برقی مناسب با آن استفاده کنید. بکار گرفتن ابزار برقی مناسب باعث میشود که بتوانید از توان دستگاه بهتر و با اطمینان بیشتر استفاده کنید.

◀ در صورت ایراد در کلید قطع و وصل ابزار برقی، از دستگاه استفاده نکنید. ابزار برقی که نمی توان آنها را قطع و وصل کرد، خطرناک بوده و باید تعمیر شوند.

◀ قبل از تنظیم ابزار برقی، تعویض متعلقات و یا کنار گذاشتن آن، دوشاخه را از برق بکشید و یا باتری آنرا خارج کنید. رعایت این اقدامات پیشگیری ایمنی از راه افتادن ناخواسته ابزار برقی جلوگیری می کند.

◀ ابزار برقی را در صورت عدم استفاده، از دسترس کودکان دور نگه دارید و اجازه ندهید که افراد ناوارد و یا اشخاصی که این دفترچه راهنما را نخواندهاند، با این دستگاه کار کنند. قرار گرفتن ابزار برقی در دست افراد ناوارد و بی تجربه خطرناک است.

◀ از ابزار برقی و متعلقات خوب مراقبت کنید. مواظب باشید که قسمت های متحرک دستگاه خوب کار کرده و گیر نکنند. همچنین دقت کنید که قطعات ابزار برقی شکسته و یا آسیب دیده نباشند. قطعات آسیب دیده را قبل از شروع به کار تعمیر کنید. علت بسیاری از سوانح کاری، عدم مراقبت کامل از ابزارهای برقی می باشد.

◀ ابزار برش را تیز و تمیز نگه دارید. ابزار برشی که خوب مراقبت شده و از لبه های تیز برخوردار است، کمتر در قطعه کار گیر کرده و بهتر قابل هدایت است.

◀ ابزار برقی، متعلقات، متهای دستگاه و غیره را مطابق دستورات این جزوه راهنما به کار گیرید و به شرایط کاری و نوع کار نیز توجه داشته باشید. استفاده از ابزار برقی برای عملیاتی به جز مقاصد در نظر گرفته شده، میتواند به بروز شرایط خطرناک منجر شود.

◀ دستها و سطوح عایق را همواره خشک، تمیز و عاری از روغن و گریس نگه دارید. دسته های لغزنده مانع ایمنی و کنترل در کار در شرایط غیر منتظره هستند.

سرویس

◀ برای تعمیر ابزار برقی فقط به متخصصین حرفهای رجوع کنید و از قطعات یدکی اصل استفاده نمایید. این باعث خواهد شد که ایمنی دستگاه شما تضمین گردد.

نکات ایمنی در رابطه با اهر های عمود بر

◀ چنانچه بسته به نوع کار، امکان تماس متعلقات برش با کابلهای برق غیر قابل رؤیت ساختمان یا کابل خود ابزار وجود داشته باشد، بایستی ابزار برقی را از محل دسته و سطوح عایق دار آن در دست بگیرید. تماس متعلقات برش با سیم و کابلی که هادی جریان برق است، می تواند جریان برق را به بخشهای

اره عمود بُر GST 90 BE

حداکثر عمق برش		
90	mm	- در چوب
20	mm	- در آلومینیوم
10	mm	- در فولاد (غیر آلیاژی)
45	°	حداکثر زاویه برش (چپ/راست)
2,6	kg	وزن مطابق استاندارد EPTA-Procedure 01:2014
کلاس ایمنی II/□		

مقادیر برای ولتاژ نامی [U] 230 ولت میباشند. برای ولتاژهای مختلف و تولیدات مخصوص کشورها، ممکن است این مقادیر متفاوت باشند.

نصب

◀ **پیش از انجام هرگونه کاری بر روی ابزار الکتریکی، دوشاخه اتصال آنرا از داخل پریز برق بیرون بکشید.**

نحوه قرار دادن/تعویض تیغه اره

◀ **به هنگام مونتاز تیغه اره یا تعویض ابزار از دستکش ایمنی استفاده کنید.** ابزارها تیز هستند و ممکن است در صورت کاربری طولانی داغ شوند.

انتخاب تیغه اره

لیستی از تیغه اره های توصیه شده را در انتهای این دفترچه می یابید. تنها تیغه اره های دارای شفت (شفت T شکل) را بکار برید. تیغه اره نباید بلندتر از اندازه برش مورد نظر باشد. جهت اره کردن گوشه های تنگ از یک اره باریک استفاده کنید.

قرار دادن تیغه اره (رجوع کنید به تصویر A)

◀ **قبل از قرار دادن، شفت، تیغه اره را تمیز کنید.** یک شفت کثیف با اطمینان محکم نمی شود.

اهرم SDS (8) را تا انتها به جلو فشار دهید و آنرا فشرده نگه دارید. تیغه اره (10) را در حالی که دندانهای آن در جهت برش قرار دارد، به داخل هدایت کنید تا در محل قرارگیری تیغه اره، (13) قفل شود.

هنگام نصب تیغه اره دقت کنید که پشت تیغه اره در داخل شیار استوانه راهنما (9) قرار گیرد.

از جا افتادن و نشست محکم تیغه اره

اطمینان حاصل کنید، چنانچه تیغه اره بطور محکم قرار نگرفته باشد، ممکن است بیرون افتاده و باعث جراثیم شما شود.

جدا کردن تیغه اره (رجوع کنید به تصویر B)

اهرم SDS (8) را تا انتها به جلو فشار دهید و تیغه (10) را بردارید.

محافظ برش سطح**(رجوع کنید به تصویر C)**

محافظ برش سطح (14) می تواند از ایجاد پارگی هنگام اره کاری چوب جلوگیری کند. محافظ برش

موارد استفاده از دستگاه

این ابزار برقی در حالیکه بطور محکم بروی قطعه کار قرار داده شده باشد، برای برش کامل و همچنین برش قسمتی از قطعات داخلی چوب، مواد پلاستیکی، فلزات، صفحات سرامیکی و لاستیکی مناسب است. با آن میتوان برش های مستقیم، منحنی و زاویه فارسی بر 45° ایجاد کرد. به پیشنهادات ارائه شده در مورد تیغه های اره توجه کنید.

تصاویر اجزاء دستگاه

شماره های اجزاء دستگاه که در تصویر مشاهده میشود، مربوط به شرح ابزار برقی می باشد که تصویر آن در این دفترچه آمده است.

- (1) قفل کلید روشن/خاموش
- (2) کلید روشن/خاموش
- (3) چرخک تنظیم برای انتخاب تعداد ضربه
- (4) آچار آلن
- (5) صفحه پایه
- (6) کلید دمنده تراشه
- (7) حرکت پاندولی اهرم تنظیم
- (8) اهرم SDS دکمه آزادسازی تیغه اره
- (9) استوانه راهنما
- (10) تیغه اره^A
- (11) حفاظ ایمنی در برابر تماس با تیغه اره
- (12) دسته (دارای روکش عایق)
- (13) نگهدارنده تیغه اره
- (14) محافظ برش سطح^A
- (15) پوشش برای دهانه مکش
- (16) لوله اتصال به دستگاه مکش
- (17) شیلنگ مکش^A
- (18) درجه بندی زاویه مورب
- (19) پیچ صفحه پایه
- (20) راهنمای گونیای موازی
- (21) پیچ تثبیت گونیای موازی^A
- (22) گونیای موازی با اره گرد بُر^A
- (23) نوک مرکز اره گرد بُر^A

^A کلیه متعلقاتی که در تصویر و یا در متن آمده است، بطور معمول همراه دستگاه ارائه نمی شود. لطفا لیست کامل متعلقات را از فهرست برنامه متعلقات اقتباس نمائید.

مشخصات فنی**اره عمود بُر GST 90 BE**

3 601 E8F 0..		شماره فنی
●		کنترل تعداد ضربه
650	W	توان ورودی نامی
500-3100	min ⁻¹	تعداد ضربه در حالت بدون بار n ₀
26	mm	ضربه

دستگاه مکنده باید برای قطعه کار مورد نظر مناسب باشد.
برای مکش گرد و غباری که برای سلامتی مضرند و سرطان زا هستند و یا برای مکش تراشه های خشک باید از یک دستگاه مکنده مخصوص استفاده کنید.

طرز کار با دستگاه

انواع عملکرد

◀ **پیش از انجام هرگونه کاری بر روی ابزار الکتریکی، دوشاخه اتصال آنرا از داخل پریز برق بیرون بکشید.**

نحوه تنظیم حرکت افقی (پاندولی)

با تنظیم حرکت افقی (پاندولی) که در چهار درجه امکان پذیر است، میتوانید سرعت و توان برش و میزان ضربه، همچنین تصویر برش را بر حسب نوع قطعه کار مورد نظر تطبیق دهید.
با اهرم تنظیمکننده (7) میتوان حرکت پاندولی را حتی هنگام کار تنظیم کرد.

درجه 0	بدون حرکت افقی (پاندولی)
درجه 1	حرکت افقی (پاندولی) کم
درجه II	حرکت افقی (پاندولی) متوسط
درجه III	حرکت افقی (پاندولی) سریع/ بزرگ

در تجربه عملی میتوانید میزان حرکت پاندولی (افقی) ایده آل را برای کار مورد نظر بدست آورید. برای این منظور به این پیشنهادات توجه کنید:

- برای دستیابی به لبه برش ظریف و تمیز، بایستی میزان حرکت پاندولی/حرکت افقی تیغه اهره را کم و یا قطع کنید. هر چه میزان حرکت افقی (پاندولی) تیغه اهره کمتر باشد، لبه برش ظریف تری حاصل میگردد.
- هنگام کار روی مواد نازک (مانند ورقهها) حرکت پاندولی را خاموش کنید.
- هنگام کار روی مواد سخت (مانند فولاد) حرکت پاندولی کم کافی است.
- برای برش و کار بر روی قطعات نرم و همچنین به هنگام برش چوب در مسیر بافت آن، میتوانید با حداکثر میزان حرکت افقی (پاندولی) تیغه اهره کار کنید.

تنظیم زاویه مورب (رجوع کنید به تصویر G)

صفحه پایه (5) را میتوان برای برشهای فارسی 45° به طرف راست یا چپ راند.

پوشش (15) دهانه مکش (16) و محافظ برش سطح (14) نمیتوانند هنگام برشهای مورب مورد استفاده قرار بگیرند.

- دهانههای مکش (16) را با کمی به پایین فشار دهید و آنرا از صفحه پایه (5) بیرون بکشید.
- پوشش (15) و محافظ برش سطح (14) را جدا کنید.
- پیچ (19) را با آچار آلن (4) باز کنید و صفحه پایه (5) را به آرامی در جهت کابل برق هدایت کنید.
- برای تنظیم دقیق زاویه برش فارسی، صفحه پایه در سمت راست و چپ مجهز به نقاط جایگیری 0°

سطح را می توان تنها برای انواع خاصی از تیغه ی اهره و فقط با یک زاویه ی برش 0° بکار برد. صفحه پایه (5) را نباید هنگام ارهکاری با محافظ برش سطح برای برش نزدیک به لبه به عقب راند.
محافظ برش سطح (14) را از پایین به صفحه پایه (5) برانید.

مکش گرد، براده و تراشه

گرد و غبار موادی مانند رنگ های دارای سرب، بعضی از چوب ها، مواد معدنی و فلزات میتوانند برای سلامتی مضر باشند. دست زدن و یا تنفس کردن گرد و غبار ممکن است باعث بروز آلرژی و یا بیماری مجاری تنفسی شخص استفاده کننده و یا افرادی که در آن نزدیکی میباشند، بشود.
گرد و غبارهای مخصوصی مانند گرد و غبار درخت بلوط و یا درخت راش سرطان زا هستند، بخصوص ترکیب آنها با سایر موادی که برای کار بر روی چوب (کرومات)، مواد برای محافظت از چوب) بکار برده میشوند. فقط افراد متخصص مجازند با موادی که دارای آزرست میباشند کار کنند.

- حتی الامکان از یک دستگاه مکش مناسب و درخور ماده (قطعه کار) استفاده کنید.
- توجه داشته باشید که محل کار شما از تهویه هوای کافی برخوردار باشد.
- توصیه میشود از ماسک تنفسی ایمنی با درجه فیلتر P2 استفاده کنید.

به قوانین و مقررات معتبر در کشور خود در رابطه با استفاده از مواد و قطعات کاری توجه کنید.

◀ **از تجمع گرد و غبار در محل کار جلوگیری کنید.** گرد و غبار می توانند به آسانی مشتعل شوند.

پوشش (رجوع کنید به تصویر D)

پوشش (15) را قبل از اتصال ابزار برقی به یک مکنده، نصب کنید.

پوشش (15) را طوری بر روی ابزار برقی قرار دهید که نگهدارنده، روی محافظ ایمنی تماس با تیغه اهره (11) قفل شود.

پوشش (15) را هنگام کار کردن بدون مکنده و همچنین برشهای مورب، از روی ابزار بردارید. برای این کار، پوشش را از محافظ تماس با تیغه (11) به سمت جلو کشیده و جدا کنید.

اتصال مکنده (رجوع کنید به تصویر E-F)

دهانه مکنده (16) را در حفره روی صفحه پایه (5) قرار دهید.

دقت کنید که زبانهای دهانه مکنده، همانطور که در شکل E نشان داده شده، در حفره مربوطه ابزار برقی قفل شود.

یک شیلنگ مکنده (17) (متعلقات) را روی دهانه مکنده (16) متصل کنید. شیلنگ مکنده (17) را به یک دستگاه مکنده متصل کنید (متعلقات).

تشریح نحوه اتصال مکنده های مختلف را در انتهای این دفترچه راهنما می یابید.

برای برخورداری از مکش مناسب، در صورت امکان، محافظ برش سطح (14) را نصب کنید.

در صورت اتصال مکنده، سیستم دمنده تراشه را خاموش کنید.

در صورت قفل بودن کلید قطع و وصل (2) کاهش تعداد ضربه ممکن نیست.

با چرخک انتخاب تعداد ضربه (3) می توان تعداد ضربه لازم را از پیش انتخاب کرد و حتی هنگام کار تغییر داد.

تعداد و سرعت ضربه ایده آل به نوع و جنس قطعه کار و شرایط کاری بستگی دارد و با تجربه عملی بدست می آید.

کاهش تعداد ضربه (سرعت) به هنگام قرار دادن تیغه اره بر روی قطعه کار و همچنین برای اره کردن مواد پلاستیکی و آلومینیوم پیشنهاد میشود.

هنگام کار طولانی با سرعت کم ممکن است ابزار برقی بسیار گرم شود. تیغه اره را جدا کنید و بگذارید ابزار برقی جهت خنک شدن برای حدود 3 دقیقه با بیشترین سرعت کار کند.

راهنماییهای عملی

◀ **پیش از انجام هرگونه کاری بر روی ابزار الکتریکی، دو شاخه اتصال آنرا از داخل پریز برق بیرون بکشید.**

◀ **در صورت بلوکه شدن تیغه اره، ابزار برقی را فوراً خاموش کنید.**

◀ **برای کار روی قطعات کوچک و یا نازک باید همیشه یک زمینه محکم انتخاب کنید و یا از میز اره استفاده کنید (متعلقات).**

قبل از ارهکاری روی چوب، صفحات نئوپان، مصالح ساختمانی و غیره، آنها را نسبت به وجود اجسام خارجی مثل پیچ یا مانند آنها کنترل و ثر صورت نیاز دفع کنید.

ارهکاری عمقی (رجوع کنید به تصویر H)

◀ **ارهکاری عمقی برای کار روی موادی مانند چوب، سقف کاذب و مانند آن است!**

برای ایجاد برش های عمیق جیبی فقط از تیغه اره کوتاه استفاده کنید. ارهکاری عمقی تنها با زاویه برش فارسی 0° ممکن است.

ابزار برقی را از لبه جلویی صفحه پایه (5) روی قطعهکار قرار دهید بدون اینکه تیغه اره (10) با قطعهکار تماس پیدا کند و آن را روشن کنید. در ابزارهای برقی که در آنها امکان تنظیم تعداد ضربه وجود دارد، حداکثر تعداد ضربه را انتخاب کنید. ابزار برقی را محکم به قطعه کار فشار داده و بگذارید تیغه اره به آرامی در داخل قطعه حرکت کند.

به محض اینکه صفحه پایه (5) کاملاً روی قطعهکار قرار گرفت، در امتداد خط برش دلتخواه اره کنید.

خطکش راهنمای موازی را با گردبر (متعلقات)

برای کار با خطکش راهنمای موازی همراه گردبر (22) (متعلقات)، نباید ضخامت قطعهکار بیشتر از 30 میلیمتر باشد.

برشهای موازی (رجوع کنید به تصویر I): پیچ تثبیت (21) را باز کنید و درجه بندی خطکش راهنمای موازی را در شیار (20) صفحه پایه برانید. اندازه عرض برش مورد نظر را بر روی ضلع داخلی صفحه پایه مشخص کنید. پیچ تثبیت (21) را سفت کنید.

برشهای گرد (رجوع کنید به تصویر J): روی خط برش، بین دایره مورد ارهکاری، سوراخی ایجا کنید که برای قرار دادن تیغه اره کافی باشد. سوراخ را با یک فرز یا سوهان پرداخت کنید تا تیغه اره همسطح با خط

و 45° می باشد. صفحه پایه (5) را مطابق با صفحه مدرج (18)، به موقعیت دلتخواه هدایت کنید. سایر دریجات زاویه برش فارسی را میتوان با استفاده از یک نقاله تنظیم نمود.

- پس از آن صفحه پایه (5) را تا انتها در جهت تیغه اره (10) هدایت کنید.

- پیچ (19) را دوباره محکم کنید.

تغییر وضعیت صفحه پایه (رجوع کنید به تصویر G)

برای ارهکاری نزدیک به کناره میتوان صفحه پایه (5) را به عقب راند.


پیچ (19) را باز کنید و صفحه پایه (5) را تا انتها در جهت کابل برق هدایت کنید.


پیچ (19) را دوباره محکم کنید.

ارهکاری با صفحه پایه جابهجا شده (5) تنها با یک زاویه برش فارسی 0° ممکن است. علاوه بر این نباید خطکش راهنمای موازی را با گردبر (22) (متعلقات) و نیز محافظ برش سطح (14) بکار برد.

تجهیزات دمنده

توسط جریان هوای سیستم دمش تراشه، تراشهاها از خط برش دور میشوند.

0  روشن کردن سیستم دمنده تراشه: برای کار کردن با تراشهبرداری زیاد در چوب، مواد مصنوعی و مانند آن، کلید (6) را در جهت دهانههای مکش هدایت کنید.

0  خاموش کردن سیستم دمنده تراشه: برای کار بر روی فلزات و همچنین هنگام اتصال دستگاه مکنده، کلید (6) را در جهت تیغه اره هدایت کنید.

راه اندازی و نحوه کاربرد دستگاه

◀ **به ولتاژ شبکه برق توجه کنید! ولتاژ منبع**

جریان برق باید با مقادیر موجود بر روی

برچسب ابزار الکتریکی مطابقت داشته باشد.

ابزارهای برقی را که با ولتاژ 230 V ولت

مشخص شده اند، می توان تحت ولتاژ 220 V

ولت نیز بکار برد.

نحوه روشن و خاموش کردن

◀ **از فعال کردن کلید قطع و وصل بدون رها کردن دسته مطمئن شوید.**

برای روشن کردن ابزار برقی، کلید قطع و وصل (2) را فشار دهید.

برای قفل کردن کلید قطع و وصل (2)، آن را فشرده نگه دارید و علاوه بر این قفل کننده (1) را به راست یا چپ فشار دهید.

برای خاموش کردن ابزار برقی، کلید قطع و وصل (2) را رها کنید. در صورت قفل بودن کلید قطع و وصل (2) آن را ابتدا فشار دهید و دوباره رها کنید.

نحوه تنظیم/انتخاب تعداد ضربه

تعد ضربه ابزار برقی را می توان با فشردن دلتخواه کلید قطع و وصل (2) تنظیم کرد.

فشار کم روی کلید قطع و وصل (2) تعداد ضربه کاهش مییابد. با افزایش فشار بر روی کلید قطع و وصل، تعداد ضربه افزایش می یابد.

نقشه‌های سه بعدی و اطلاعات مربوط به قطعات یدکی را در تارنمای زیر میابید:
www.bosch-pt.com
 گروه مشاوره به مشتریان Bosch با کمال میل به سؤالات شما درباره محصولات و متعلقات پاسخ می‌دهند.
 برای هرگونه سؤال و یا سفارش قطعات یدکی، حتماً شماره فنی 10 رقمی کالا را مطابق برچسب روی ابزار برقی اطلاع دهید.

ایران

روبرت بوش ایران - شرکت بوش تجارت پارس
 میدان ونک، خیابان شهید خدای، خیابان آفتاب
 ساختمان مادیران، شماره 3، طبقه سوم.
 تهران 1994834571
 تلفن: 42039000 +9821

از رده خارج کردن دستگاه

ابزار برقی، متعلقات و بسته بندی آن، باید طبق مقررات حفظ محیط زیست از رده خارج و بازیافت شوند.

ابزارهای برقی را داخل زباله دان خانگی نیندازید!



برش قرار گیرد.
 پیچ تنظیم (21) را در طرف دیگر خطکش راهنمای موازی قرار دهید. درجه‌بندی خطکش راهنمای موازی را در شیار (20) صفحه پایه برانید. در مرکز محل مورد برش یک سوراخ ایجاد کنید. نوک مرکز (23) را از سوراخ داخلی خطکش راهنمای موازی و در سوراخ ایجاد شده قرار دهید. اندازه شعاع برش مورد نظر را بر روی ضلع داخلی صفحه پایه مشخص کنید. پیچ تثبیت (21) را سفت کنید.

ماده خنک کننده و روغن کاری

از آنجا که فلز هنگام برش داغ میشود، باید در مسیر خط برش از ماده خنک کننده و روغن استفاده کنید.

مراقبت و سرویس

مراقبت، تعمیر و تمیز کردن دستگاه

◀ پیش از انجام هرگونه کاری بر روی ابزار الکتریکی، دوشاخه اتصال آنرا از داخل پریز برق بیرون بکشید.

◀ ابزار الکتریکی و شیارهای تهویه آنرا تمیز نگاه دارید، تا ایمنی شما در کار تضمین گردد.

در صورت نیاز به یک کابل یدکی برای اتصال به شبکه برق، بایستی به شرکت Bosch و یا به نمایندگی مجاز Bosch (خدمات پس از فروش) برای ابزار آلات برقی مراجعه کنید تا از بروز خطرات ایمنی جلوگیری بعمل آید.

قسمت نگهدارنده (ابزارگیر) تیغه اره را مرتب تمیز کنید. برای این منظور تیغه اره را از داخل ابزار برقی بیرون آورید و دستگاه را بر روی یک سطح صاف و نرم کمی تکان دهید.

آلوده شدن بیش از حد ابزار برقی، میتواند باعث ایجاد اختلال در آن شود. بنابراین موادی را که گرد و غبار زیاد تولید میکنند، از زیر یا بالای سر خود اره نکنید.

◀ در صورت شرایط کاری بسیار سخت در صورت امکان همواره از یک سیستم مکنده استفاده کنید.

تمیز کردن مکرر شیارهای تهویه از طریق دمش فشار هوا و کلید محافظ (PRCD) جریان خطا و نشستی زمین (کلید قطع کننده اتصال با زمین) را روشن کنید. هنگام کار با فلزات، امکان تجمع گرد فلزات که هادی می باشد در قسمت های داخلی ابزار برقی وجود دارد. امکان آسیب دیدن و از بین رفتن حفاظ روکش عایق ابزار برقی وجود دارد.

در صورت مسدود شدن خروجی گرد و غبار، ابزار برقی را خاموش کنید، قسمت خروجی گرد و غبار را بردارید و گرد و غبار و تراشه را بردارید.
 استوانه راهنما (9) را گاه گاه با یک قطره روغنکاری کنید.

استوانه راهنما (9) را مرتب کنترل کنید. در صورت فرسودگی باید توسط تعمیرگاه مجاز Bosch تعویض شود.

خدمات و مشاوره با مشتریان

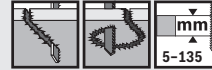
خدمات مشتری، به سؤالات شما درباره تعمیرات، سرویس و همچنین قطعات یدکی پاسخ خواهد داد.



for wood

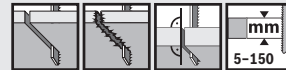
speed  **Wood**

T 144 D, ...



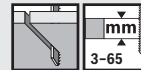
precision  **Wood**

T 308 BP, ...



progressor  **Wood**

T 234 X, ...



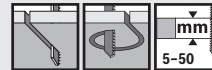
clean  **Wood**

T 101 A0, ...



extra-clean  **Wood**

T 308 B, ...

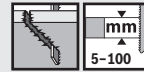




for hardwood

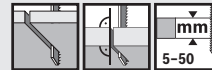
speed **HardWood**

T 144 DF, ...



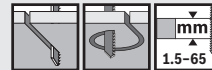
precision **HardWood**

T 308 BFP, ...



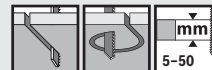
clean **HardWood**

T 101 AOF, ...



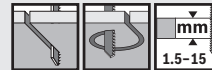
extra-clean **HardWood**

T 308 BF, ...



special **Laminate**

T 101 AOF, ...



for wood and metal

progressor **Wood+Metal**

T 345 XF, ...

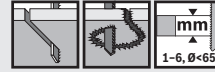




for metal

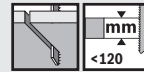
flexible  **Metal**

T 118 AF, ...



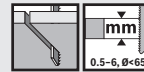
flexible  **MetalSandwich**

T 718 BF, ...

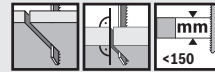


speed  **Metal**

T 121 GF, ...

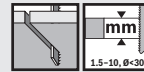


precision  **MetalSandwich** **T 1018 AFP, ...**



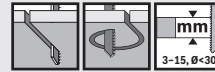
progressor  **Metal**

T 123 XF, ...

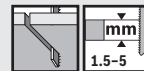


special  **Alu**

T 127 D, ...



endurance  **StainlessSteel** **T 118 AHM, ...**

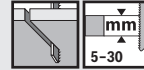




for plastics

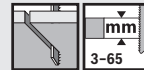
clean **for PP**

T 102 D, ...



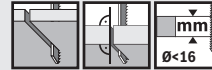
clean **for PVC**

T 102 H, ...



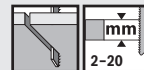
precision **for PVC**

T 1044 HP, ...



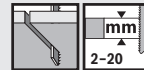
clean **for PMMA**

T 102 BF, ...

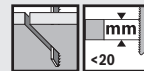


clean **for PC**

T 101 A, ...

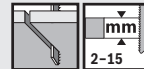


clean **for CarbonFiber** T 108 BHM, ...



clean **for HPL**

T 128 BHM, ...



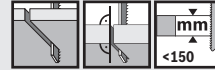
clean **for PlasticComposites** T 301 CHM, ...



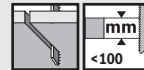


for special materials

precision **SoftMaterial** T 1013 AWP, ...



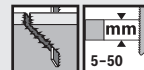
special **SoftMaterial** T 113 A, ...

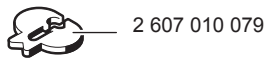
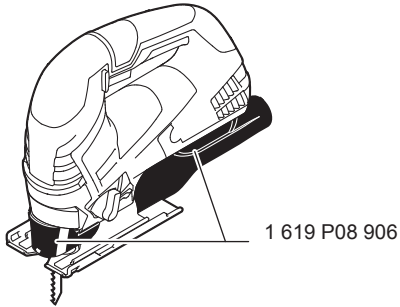


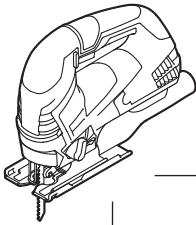
special **Ceramic** T 130 RF, ...



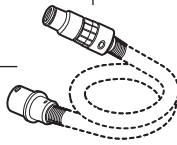
endurance **FiberPlaster** T 141 HM, ...







1 619 PA7 326



Ø 22 mm:
 2 608 000 571 (3 m)
 2 608 000 567 (5 m)
 Ø 35 mm:
 2 608 000 569 (3 m)
 2 608 000 565 (5 m)
 1 619 PB3 826 (3 m)



Ø 22 mm:
 2 608 000 572 (3 m)
 2 608 000 568 (5 m)
 Ø 35 mm:
 2 608 000 570 (3 m)
 2 608 000 566 (5 m)

2 608 000 585



Ø 35 mm:
 2 608 000 658 (1,6 m)



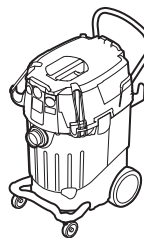
GAS 15 PS



GAS 12-25 PL



GAS 35 L SFC+
 GAS 35 L AFC
 GAS 35 M AFC



GAS 55 M AFC



GAS 18V-10 L