



GG5 Professional

5000 | 5000 L

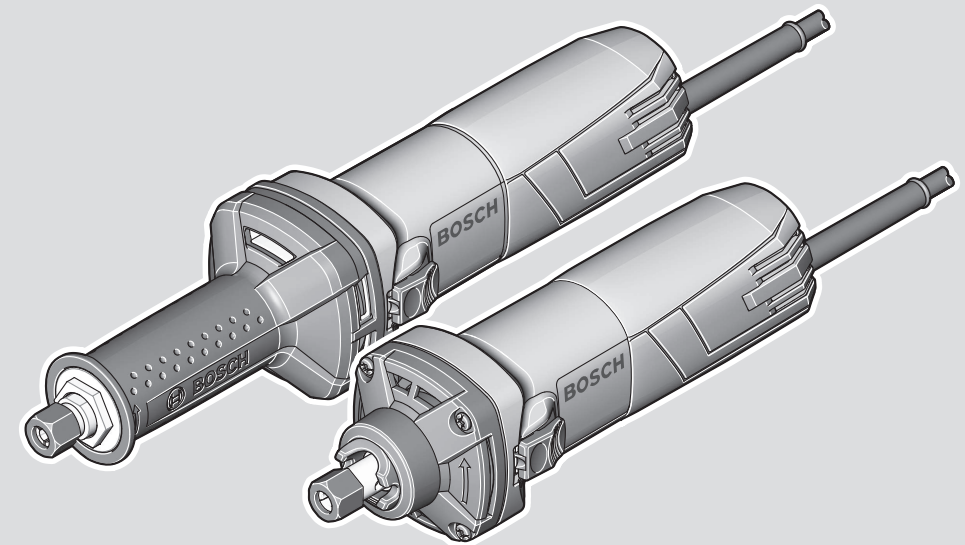
Robert Bosch Power Tools GmbH
70538 Stuttgart
GERMANY

www.bosch-pt.com

1 609 92A 45B (2021.02) 0 / 66



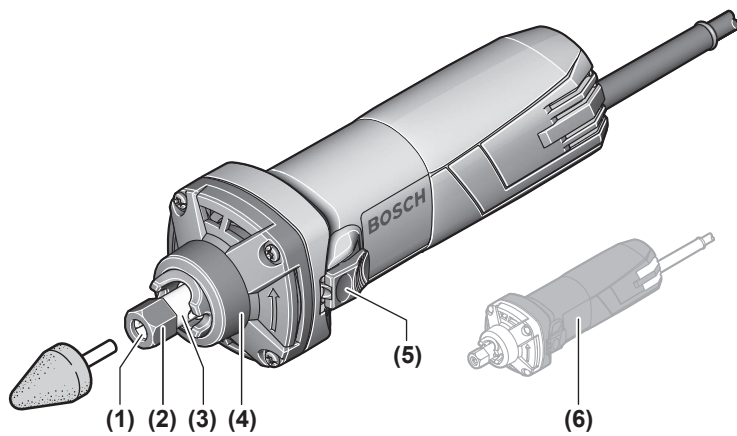
1 609 92A 45B



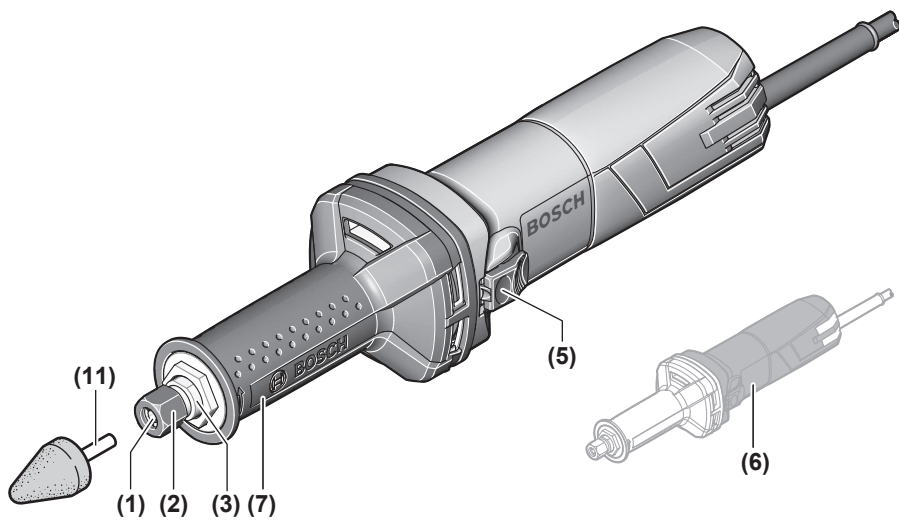
- en Original instructions
- fr Notice originale
- pt Manual original
- zh 正本使用说明书
- zh 原始使用說明書
- th หนังสือคู่มือการใช้งานฉบับต้นแบบ
- id Petunjuk-Petunjuk untuk Penggunaan Orisinal
- vi Bản gốc hướng dẫn sử dụng
- ar دليل التشغيل الأصلي
- fa دفترچه راهنمای اصلی



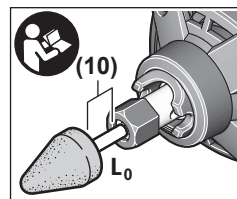
English	Page	5
Français	Page	10
Português	Página	17
中文	頁	23
繁體中文	頁	27
ไทย	หน้า	31
Bahasa Indonesia	Halaman	38
Tiếng Việt	Trang	43
عربي	الصفحة	50
فارسی	صفحه	56
CE		I

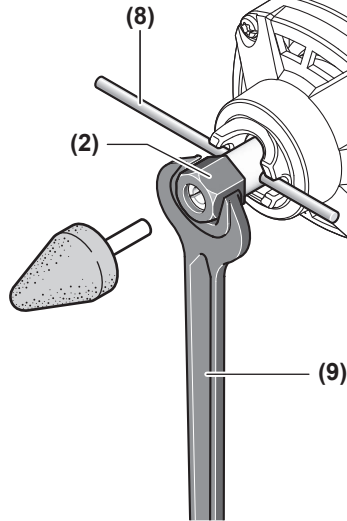
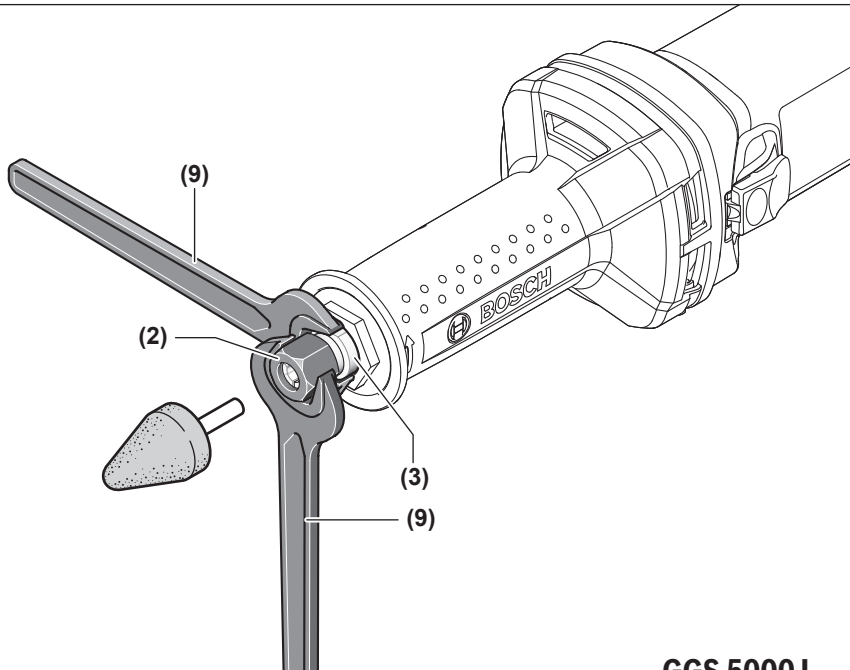


GGS 5000



GGS 5000 L



A**GG5 5000****B****GG5 5000 L**

English

Safety instructions

General Power Tool Safety Warnings

⚠ WARNING **Read all safety warnings and all instructions.** Failure to follow the warnings and instructions may result in electric shock, fire and/or serious injury.

Save all warnings and instructions for future reference.

The term "power tool" in the warnings refers to your mains-operated (corded) power tool or battery-operated (cordless) power tool.

Work area safety

- ▶ **Keep work area clean and well lit.** Cluttered or dark areas invite accidents.
- ▶ **Do not operate power tools in explosive atmospheres, such as in the presence of flammable liquids, gases or dust.** Power tools create sparks which may ignite the dust or fumes.
- ▶ **Keep children and bystanders away while operating a power tool.** Distractions can cause you to lose control.

Electrical safety

- ▶ **Power tool plugs must match the outlet. Never modify the plug in any way. Do not use any adapter plugs with earthed (grounded) power tools.** Unmodified plugs and matching outlets will reduce risk of electric shock.
- ▶ **Avoid body contact with earthed or grounded surfaces, such as pipes, radiators, ranges and refrigerators.** There is an increased risk of electric shock if your body is earthed or grounded.
- ▶ **Do not expose power tools to rain or wet conditions.** Water entering a power tool will increase the risk of electric shock.
- ▶ **Do not abuse the cord. Never use the cord for carrying, pulling or unplugging the power tool. Keep cord away from heat, oil, sharp edges or moving parts.** Damaged or entangled cords increase the risk of electric shock.
- ▶ **When operating a power tool outdoors, use an extension cord suitable for outdoor use.** Use of a cord suitable for outdoor use reduces the risk of electric shock.
- ▶ **If operating a power tool in a damp location is unavoidable, use a residual current device (RCD) protected supply.** Use of an RCD reduces the risk of electric shock.

Personal safety

- ▶ **Stay alert, watch what you are doing and use common sense when operating a power tool. Do not use a power tool while you are tired or under the influence of drugs, alcohol or medication.** A moment of inattention while operating power tools may result in serious personal injury.

- ▶ **Use personal protective equipment. Always wear eye protection.** Protective equipment such as dust mask, non-skid safety shoes, hard hat, or hearing protection used for appropriate conditions will reduce personal injuries.
- ▶ **Prevent unintentional starting. Ensure the switch is in the off-position before connecting to power source and/or battery pack, picking up or carrying the tool.** Carrying power tools with your finger on the switch or energising power tools that have the switch on invites accidents.
- ▶ **Remove any adjusting key or wrench before turning the power tool on.** A wrench or a key left attached to a rotating part of the power tool may result in personal injury.
- ▶ **Do not overreach. Keep proper footing and balance at all times.** This enables better control of the power tool in unexpected situations.
- ▶ **Dress properly. Do not wear loose clothing or jewellery. Keep your hair, clothing and gloves away from moving parts.** Loose clothes, jewellery or long hair can be caught in moving parts.
- ▶ **If devices are provided for the connection of dust extraction and collection facilities, ensure these are connected and properly used.** Use of dust collection can reduce dust-related hazards.

Power tool use and care

- ▶ **Do not force the power tool. Use the correct power tool for your application.** The correct power tool will do the job better and safer at the rate for which it was designed.
- ▶ **Do not use the power tool if the switch does not turn it on and off.** Any power tool that cannot be controlled with the switch is dangerous and must be repaired.
- ▶ **Disconnect the plug from the power source and/or the battery pack from the power tool before making any adjustments, changing accessories, or storing power tools.** Such preventive safety measures reduce the risk of starting the power tool accidentally.
- ▶ **Store idle power tools out of the reach of children and do not allow persons unfamiliar with the power tool or these instructions to operate the power tool.** Power tools are dangerous in the hands of untrained users.
- ▶ **Maintain power tools. Check for misalignment or binding of moving parts, breakage of parts and any other condition that may affect the power tool's operation. If damaged, have the power tool repaired before use.** Many accidents are caused by poorly maintained power tools.
- ▶ **Keep cutting tools sharp and clean.** Properly maintained cutting tools with sharp cutting edges are less likely to bind and are easier to control.
- ▶ **Use the power tool, accessories and tool bits etc. in accordance with these instructions, taking into account the working conditions and the work to be performed.**

formed. Use of the power tool for operations different from those intended could result in a hazardous situation.

Service

- ▶ **Have your power tool serviced by a qualified repair person using only identical replacement parts.** This will ensure that the safety of the power tool is maintained.

Safety instructions for all applications

Safety warnings common for grinding or carving

- ▶ **This power tool is intended to function as a grinder or carving tool. Read all safety warnings, instructions, illustrations and specifications provided with this power tool.** Failure to follow all instructions listed below may result in electric shock, fire and/or serious injury.
- ▶ **Operations such as sanding, wire brushing, polishing or cutting-off are not recommended to be performed with this power tool.** Operations for which the power tool was not designed may create a hazard and cause personal injury.
- ▶ **Do not use accessories which are not specifically designed and recommended by the tool manufacturer.** Just because the accessory can be attached to your power tool, it does not assure safe operation.
- ▶ **The rated speed of the grinding accessories must be at least equal to the maximum speed marked on the power tool.** Grinding accessories running faster than their rated speed can break and fly apart.
- ▶ **The outside diameter and the thickness of your accessory must be within the capacity rating of your power tool.** Incorrectly sized accessories cannot be adequately controlled.
- ▶ **The arbour size of wheels, sanding drums or any other accessory must properly fit the spindle or collet of the power tool.** Accessories that do not match the mounting hardware of the power tool will run out of balance, vibrate excessively and may cause loss of control.
- ▶ **Mandrel mounted wheels, sanding drums, cutters or other accessories must be fully inserted into the collet or chuck.** If the mandrel is insufficiently held and/or the overhang of the wheel is too long, the mounted wheel may become loose and be ejected at high velocity.
- ▶ **Do not use a damaged accessory. Before each use inspect the accessory such as abrasive wheels for chips and cracks, sanding drum for cracks, tear or excess wear, wire brush for loose or cracked wires. If power tool or accessory is dropped, inspect for damage or install an undamaged accessory. After inspecting and installing an accessory, position yourself and bystanders away from the plane of the rotating accessory and run the power tool at maximum no-load speed for one minute.** Damaged accessories will normally break apart during this test time.
- ▶ **Wear personal protective equipment. Depending on application, use face shield, safety goggles or safety glasses. As appropriate, wear dust mask, hearing protectors, gloves and workshop apron capable of stopping small abrasive or workpiece fragments.** The eye protection must be capable of stopping flying debris generated by various operations. The dust mask or respirator must be capable of filtering particles generated by your operation. Prolonged exposure to high intensity noise may cause hearing loss.
- ▶ **Keep bystanders a safe distance away from work area. Anyone entering the work area must wear personal protective equipment.** Fragments of workpiece or of a broken accessory may fly away and cause injury beyond immediate area of operation.
- ▶ **Hold power tool by insulated gripping surfaces only, when performing an operation where the cutting accessory may contact hidden wiring or its own cord.** Cutting accessory contacting a "live" wire may make exposed metal parts of the power tool "live" and could give the operator an electric shock.
- ▶ **Always hold the tool firmly in your hand(s) during the start-up.** The reaction torque of the motor, as it accelerates to full speed, can cause the tool to twist.
- ▶ **Use clamps to support workpiece whenever practical. Never hold a small workpiece in one hand and the tool in the other hand while in use.** Clamping a small workpiece allows you to use your hand(s) to control the tool. Round material such as dowel rods, pipes or tubing have a tendency to roll while being cut, and may cause the bit to bind or jump toward you.
- ▶ **Position the cord clear of the spinning accessory.** If you lose control, the cord may be cut or snagged and your hand or arm may be pulled into the spinning accessory.
- ▶ **Never lay the power tool down until the accessory has come to a complete stop.** The spinning accessory may grab the surface and pull the power tool out of your control.
- ▶ **After changing the bits or making any adjustments, make sure the collet nut, chuck or any other adjustment devices are securely tightened.** Loose adjustment devices can unexpectedly shift, causing loss of control, loose rotating components will be violently thrown.
- ▶ **Do not run the power tool while carrying it at your side.** Accidental contact with the spinning accessory could snag your clothing, pulling the accessory into your body.
- ▶ **Regularly clean the power tool's air vents.** The motor's fan will draw the dust inside the housing and excessive accumulation of powdered metal may cause electrical hazards.
- ▶ **Do not operate the power tool near flammable materials.** Sparks could ignite these materials.
- ▶ **Do not use accessories that require liquid coolants.** Using water or other liquid coolants may result in electrocution or shock.

Kickback and related warnings

Kickback is a sudden reaction to a pinched or snagged rotating wheel, sanding band, brush or any other accessory. Pinching or snagging causes rapid stalling of the rotating ac-

cessory which in turn causes the uncontrolled power tool to be forced in the direction opposite of the accessory's rotation.

For example, if an abrasive wheel is snagged or pinched by the workpiece, the edge of the wheel that is entering into the pinch point can dig into the surface of the material causing the wheel to climb out or kick out. The wheel may either jump toward or away from the operator, depending on direction of the wheel's movement at the point of pinching. Abrasive wheels may also break under these conditions.

Kickback is the result of power tool misuse and/or incorrect operating procedures or conditions and can be avoided by taking proper precautions as given below.

- ▶ **Maintain a firm grip on the power tool and position your body and arm to allow you to resist kickback forces.** The operator can control kickback forces, if proper precautions are taken.
- ▶ **Use special care when working corners, sharp edges etc. Avoid bouncing and snagging the accessory.** Corners, sharp edges or bouncing have a tendency to snag the rotating accessory and cause loss of control or kickback.
- ▶ **Do not attach a toothed saw blade.** Such blades create frequent kickback and loss of control.
- ▶ **Always feed the bit into the material in the same direction as the cutting edge is exiting from the material (which is the same direction as the chips are thrown).** Feeding the tool in the wrong direction causes the cutting edge of the bit to climb out of the work and pull the tool in the direction of this feed.
- ▶ **When using rotary files, high-speed cutters or tungsten carbide cutters, always have the work securely clamped.** These wheels will grab if they become slightly canted in the groove, and can kickback. When the rotary file, high-speed cutter or tungsten carbide cutter grab, it may jump from the groove and you could lose control of the tool.

Safety warnings specific for grinding and abrasive cutting-off operations

- ▶ **Use only wheel types that are recommended for your power tool and only for recommended applications. For example: do not grind with the side of a cut-off wheel.** Abrasive cut-off wheels are intended for peripheral grinding, side forces applied to these wheels may cause them to shatter.
- ▶ **For threaded abrasive cones and plugs use only undamaged wheel mandrels with an unrelieved shoulder flange that are of correct size and length.** Proper mandrels will reduce the possibility of breakage.
- ▶ **Do not "jam" a cut-off wheel or apply excessive pressure. Do not attempt to make an excessive depth of cut.** Overstressing the wheel increases the loading and susceptibility to twisting or snagging of the wheel in the cut and the possibility of kickback or wheel breakage.
- ▶ **Do not position your hand in line with and behind the rotating wheel.** When the wheel, at the point of opera-

tion, is moving away from your hand, the possible kickback may propel the spinning wheel and the power tool directly at you.

- ▶ **When wheel is pinched, snagged or when interrupting a cut for any reason, switch off the power tool and hold the power tool motionless until the wheel comes to a complete stop. Never attempt to remove the cut-off wheel from the cut while the wheel is in motion otherwise kickback may occur.** Investigate and take corrective action to eliminate the cause of wheel pinching or snagging.
- ▶ **Do not restart the cutting operation in the workpiece. Let the wheel reach full speed and carefully re-enter the cut.** The wheel may bind, walk up or kickback if the power tool is restarted in the workpiece.
- ▶ **Support panels or any oversized workpiece to minimize the risk of wheel pinching and kickback.** Large workpieces tend to sag under their own weight. Supports must be placed under the workpiece near the line of cut and near the edge of the workpiece on both sides of the wheel.
- ▶ **Use extra caution when making a "pocket cut" into existing walls or other blind areas.** The protruding wheel may cut gas or water pipes, electrical wiring or objects that can cause kickback.

Additional safety information

- ▶ **Do not touch grinding discs until they have cooled down.** The discs can become very hot while working.
- ▶ **Use suitable detectors to determine if utility lines are hidden in the work area or call the local utility company for assistance.** Contact with electric lines can lead to fire and electric shock. Damaging a gas line can lead to explosion. Penetrating a water line causes property damage or may cause an electric shock.
- ▶ **Secure the workpiece.** A workpiece clamped with clamping devices or in a vice is held more secure than by hand.
- ▶ **This power tool is not suitable for bench-mounted use.** It must not be clamped into a vice or fastened to a workbench, for example.

Products sold in GB only:

Your product is fitted with an BS 1363/A approved electric plug with internal fuse (ASTA approved to BS 1362).

If the plug is not suitable for your socket outlets, it should be cut off and an appropriate plug fitted in its place by an authorised customer service agent. The replacement plug should have the same fuse rating as the original plug.

The severed plug must be disposed of to avoid a possible shock hazard and should never be inserted into a mains socket elsewhere.

Product Description and Specifications



Read all the safety and general instructions.

Failure to observe the safety and general instructions may result in electric shock, fire and/or serious injury.

Please observe the illustrations at the beginning of this operating manual.

Intended Use

The power tool is intended for grinding and deburring metal with corundum grinding tools, as well as for working with sanding belt tools.

Product Features

The numbering of the product features refers to the diagram of the power tool on the graphics page.

Technical Data

Straight grinder		GG5 5000	GG5 5000 L
		3 601 B23 0..	3 601 B24 1..
Article number			
Rated power input	W	500	550
Rated speed	min ⁻¹	33000	33000
Max. collet diameter	mm	8	8
Spindle collar diameter	mm	43.5	41
Grinding tool thickness, max.	mm	30	30
Grinding tool diameter, max.	mm	25	25
Max. inner shank dimension L ₀	mm	10	10
Max. shank length	mm	35	35
Weight according to EPTA-Procedure 01:2014	kg	1.0	1.4
Protection class		□/II	□/II

The specifications apply to a rated voltage [U] of 230 V. These specifications may vary at different voltages and in country-specific models.

Noise/Vibration Information

		GG5 5000	GG5 5000 L
		3 601 B23 0..	3 601 B24 1..

Noise emission values determined according to **EN 60745-2-23**.

Typically, the A-weighted noise level of the power tool is

Sound pressure level	dB(A)	80	81
Sound power level	dB(A)	91	92
Uncertainty K	dB	3	3

Wear hearing protection!

Vibration total values a_h (triani vector sum) and uncertainty K determined according to **EN 60745-2-23**:

a_h	m/s ²	3.5	3.5
K	m/s ²	1.5	1.5

The vibration level given in these instructions has been measured in accordance with a standardised measuring pro-

- (1) Collet
- (2) Clamping nut
- (3) Grinding spindle
- (4) Spindle collar
- (5) On/off switch
- (6) Handle (insulated gripping surface)
- (7) Protective sleeve
- (8) Holding rod^{a)}
- (9) Open-ended spanner (17 mm width across flats)^{a)}
- (10) Inner shank dimension L₀
- (11) Shank

a) **Accessories shown or described are not included with the product as standard. You can find the complete selection of accessories in our accessories range.**

cedure and may be used to compare power tools. It can also be used for a preliminary estimation of exposure to vibration.

The stated vibration level applies to the main applications of the power tool. However, if the power tool is used for different applications, with different application tools or poorly maintained, the vibration level may differ. This can significantly increase the exposure to vibration over the total working period.

To estimate the exposure to vibration accurately, the times when the tool is switched off or when it is running but not actually being used should also be taken into account. This can significantly reduce the exposure to vibration over the total working period.

Implement additional safety measures to protect the operator from the effects of vibration, such as servicing the power tool and application tools, keeping the hands warm, and organising workflows correctly.

Fitting

► **Pull the plug out of the socket before carrying out any work on the power tool.**

► **The application tool must be clamped at least 10 mm.** The inner shank dimension L_0 can be used to calculate the maximum permitted speed of the application tool from the specifications provided by the manufacturer of the application tool. It must not be less than the maximum speed of the power tool.

Fitting the abrasive tools (see figure A) (GGS 5000)

- Clean the grinding spindle (3) and all the parts to be fitted.
- Turn the grinding spindle (3) until the hole in the grinding spindle (3) and the recesses on the housing are aligned. Insert the holding rod (8) through the recesses on the housing and the hole in the grinding spindle (3).
- Loosen the clamping nut (2) with the open-ended spanner (9) (width across flats 17 mm) by turning it anticlockwise.
- Insert the straight shank of the grinding tool all the way into the collet (1).
- Tighten the clamping nut (2) with the open-ended spanner (9) (width across flats 17 mm) by turning it clockwise.

The grinding tools must run completely concentrically. Do not continue to use damaged grinding tools that are out of balance. If the grinding tools are out of balance, they should be replaced.

► **Do not, under any circumstances, tighten the collet with the clamping nut until a grinding tool has been fitted.** The collet may otherwise become damaged.

Fitting the abrasive tools (see figure B) (GGS 5000 L)

- Clean the grinding spindle (3) and all the parts to be fitted.
- Use an open-ended spanner (9) on the spanner flat of the grinding spindle (3) to hold it in place. Loosen the clamping nut (2) by placing an open-ended spanner (9) on the spanner flat and turning it anticlockwise.
- Insert the straight shank of the grinding tool all the way into the collet (1).
- Hold the grinding spindle (3) with the open-ended spanner (9) and tighten the application tool by placing the open-ended spanner (9) on the spanner flat and turning it clockwise.

The grinding tools must run completely concentrically. Do not continue to use damaged grinding tools that are out of balance. If the grinding tools are out of balance, they should be replaced.

► **Do not, under any circumstances, tighten the collet with the clamping nut until a grinding tool has been fitted.** The collet may otherwise become damaged.

► **Only use mounted points with an appropriate shank diameter.** A mounting point with a shank diameter which does not correspond to the tool holder of the power tool (see "Technical data") cannot be held properly and will damage the collet chuck.

Dust/Chip Extraction

Dust from materials such as lead-containing coatings, some wood types, minerals and metal can be harmful to one's health. Touching or breathing-in the dust can cause allergic reactions and/or lead to respiratory infections of the user or bystanders.

Certain dust, such as oak or beech dust, is considered carcinogenic, especially in connection with wood-treatment additives (chromate, wood preservative). Materials containing asbestos may only be worked by specialists.

- Provide for good ventilation of the working place.
- It is recommended to wear a P2 filter-class respirator.

Observe the relevant regulations in your country for the materials to be worked.

► **Avoid dust accumulation at the workplace.** Dust can easily ignite.

Operation

Starting operation

- **Products that are only sold in AUS and NZ:** Use a residual current device (RCD) with a nominal residual current of 30 mA or less.
- **Pay attention to the mains voltage. The voltage of the power source must match the voltage specified on the rating plate of the power tool. Power tools marked with 230 V can also be operated with 220 V.**
- **Check whether there is visible damage to the collet (1) and clamping nut (2) before each use.**

Switching On and Off

To **start** the power tool, slide the on/off switch **(5)** forwards.

To **lock** the on/off switch **(5)** in position, push the on/off switch **(5)** forwards and down until it clicks into place.

To **switch off** the power tool, release the on/off switch **(5)**; or, if the switch is locked, briefly push the on/off switch **(5)** backwards and down and then release it.

Practical advice

- ▶ **Pull the plug out of the socket before carrying out any work on the power tool.**
- ▶ **Do not load the power tool so heavily that it comes to a stop.**
- ▶ **If the power tool has been subjected to a heavy load, continue to run it at no-load for several minutes to cool down the accessory.**
- ▶ **Grinding tools can become very hot while working. Do not touch them until they have cooled down.**
- ▶ **Protect the grinding tools against impact.**

Move the grinding tool evenly back and forth with light pressure to achieve an optimum work result. Pressure that is too strong reduces the performance capability of the power tool and causes the grinding tool to wear more quickly.

Maintenance and Service

Maintenance and Cleaning

- ▶ **Pull the plug out of the socket before carrying out any work on the power tool.**
- ▶ **To ensure safe and efficient operation, always keep the power tool and the ventilation slots clean.**
- ▶ **In extreme conditions, always use a dust extractor if possible. Blow out ventilation slots frequently and install a residual current device (RCD) upstream.** When machining metals, conductive dust can settle inside the power tool, which can affect its protective insulation.

In order to avoid safety hazards, if the power supply cord needs to be replaced, this must be done by **Bosch** or by an after-sales service centre that is authorised to repair **Bosch** power tools.

Store and handle the accessories carefully.

After-Sales Service and Application Service

Our after-sales service responds to your questions concerning maintenance and repair of your product as well as spare parts. You can find explosion drawings and information on spare parts at: www.bosch-pt.com

The Bosch product use advice team will be happy to help you with any questions about our products and their accessories.

In all correspondence and spare parts orders, please always include the 10-digit article number given on the nameplate of the product.

Malaysia

Robert Bosch Sdn. Bhd.(220975-V) PT/SMY
No. 8A, Jalan 13/6
46200 Petaling Jaya
Selangor
Tel.: (03) 79663194
Toll-Free: 1800 880188
Fax: (03) 79583838
E-Mail: kiathoe.chong@my.bosch.com
www.bosch-pt.com.my

You can find further service addresses at:

www.bosch-pt.com/serviceaddresses

Disposal

The power tool, accessories and packaging should be recycled in an environmentally friendly manner.



Do not dispose of power tools along with household waste.

Français

Consignes de sécurité

Avertissements de sécurité généraux pour l'outil

AVERTISSEMENT Lire tous les avertissements de sécurité et toutes les instructions.

Ne pas suivre les avertissements et instructions peut donner lieu à un choc électrique, un incendie et/ou une blessure sérieuse.

Conservation de tous les avertissements et toutes les instructions pour pouvoir s'y reporter ultérieurement.

Le terme «outil» dans les avertissements fait référence à votre outil électrique alimenté par le secteur (avec cordon d'alimentation) ou votre outil fonctionnant sur batterie (sans cordon d'alimentation).

Sécurité de la zone de travail

- ▶ **Conservation de la zone de travail propre et bien éclairée.**
Les zones en désordre ou sombres sont propices aux accidents.
- ▶ **Ne pas faire fonctionner les outils électriques en atmosphère explosive, par exemple en présence de liquides inflammables, de gaz ou de poussières.** Les outils électriques produisent des étincelles qui peuvent enflammer les poussières ou les fumées.
- ▶ **Maintenir les enfants et les personnes présentes à l'écart pendant l'utilisation de l'outil.** Les distractions peuvent vous faire perdre le contrôle de l'outil.

Sécurité électrique

- ▶ **Il faut que les fiches de l'outil électrique soient adaptées au socle. Ne jamais modifier la fiche de quelque**

façon que ce soit. Ne pas utiliser d'adaptateurs avec des outils à branchement de terre. Des fiches non modifiées et des socles adaptés réduiront le risque de choc électrique.

- ▶ **Éviter tout contact du corps avec des surfaces reliées à la terre telles que les tuyaux, les radiateurs, les cuisinières et les réfrigérateurs.** Il existe un risque accru de choc électrique si votre corps est relié à la terre.
- ▶ **Ne pas exposer les outils à la pluie ou à des conditions humides.** La pénétration d'eau à l'intérieur d'un outil augmentera le risque de choc électrique.
- ▶ **Ne pas maltraiter le cordon. Ne jamais utiliser le cordon pour porter, tirer ou débrancher l'outil. Maintenir le cordon à l'écart de la chaleur, du lubrifiant, des arêtes ou des parties en mouvement.** Des cordons endommagés ou emmêlés augmentent le risque de choc électrique.
- ▶ **Lorsqu'on utilise un outil à l'extérieur, utiliser un prolongateur adapté à l'utilisation extérieure.** L'utilisation d'un cordon adapté à l'utilisation extérieure réduit le risque de choc électrique.
- ▶ **Si l'usage d'un outil dans un emplacement humide est inévitable, utiliser une alimentation protégée par un dispositif à courant différentiel résiduel (RCD).** L'usage d'un RCD réduit le risque de choc électrique.

Sécurité des personnes

- ▶ **Rester vigilant, regarder ce que vous êtes en train de faire et faire preuve de bon sens dans votre utilisation de l'outil. Ne pas utiliser un outil lorsque vous êtes fatigué ou sous l'emprise de drogues, d'alcool ou de médicaments.** Un moment d'inattention en cours d'utilisation d'un outil peut entraîner des blessures graves des personnes.
- ▶ **Utiliser un équipement de sécurité. Toujours porter une protection pour les yeux.** Les équipements de sécurité tels que les masques contre les poussières, les chaussures de sécurité antidérapantes, les casques ou les protections acoustiques utilisés pour les conditions appropriées réduiront les blessures de personnes.
- ▶ **Éviter tout démarrage intempestif. S'assurer que l'interrupteur est en position arrêt avant de brancher l'outil au secteur et/ou au bloc de batteries, de le ramasser ou de le porter.** Porter les outils en ayant le doigt sur l'interrupteur ou brancher des outils dont l'interrupteur est en position marche est source d'accidents.
- ▶ **Retirer toute clé de réglage avant de mettre l'outil en marche.** Une clé laissée fixée sur une partie tournante de l'outil peut donner lieu à des blessures de personnes.
- ▶ **Ne pas se précipiter. Garder une position et un équilibre adaptés à tout moment.** Cela permet un meilleur contrôle de l'outil dans des situations inattendues.
- ▶ **S'habiller de manière adaptée. Ne pas porter de vêtements amples ou de bijoux. Garder les cheveux, les vêtements et les gants à distance des parties en mouvement.** Des vêtements amples, des bijoux ou les cheveux longs peuvent être pris dans des parties en mouvement.

- ▶ **Si des dispositifs sont fournis pour le raccordement d'équipements pour l'extraction et la récupération des poussières, s'assurer qu'ils sont connectés et correctement utilisés.** Utiliser des collecteurs de poussière peut réduire les risques dus aux poussières.

Utilisation et entretien de l'outil

- ▶ **Ne pas forcer l'outil. Utiliser l'outil adapté à votre application.** L'outil adapté réalisera mieux le travail et de manière plus sûre au régime pour lequel il a été construit.
- ▶ **Ne pas utiliser l'outil si l'interrupteur ne permet pas de passer de l'état de marche à arrêt et vice versa.** Tout outil qui ne peut pas être commandé par l'interrupteur est dangereux et il faut le réparer.
- ▶ **Débrancher la fiche de la source d'alimentation en courant et/ou le bloc de batteries de l'outil avant tout réglage, changement d'accessoires ou avant de ranger l'outil.** De telles mesures de sécurité préventives réduisent le risque de démarrage accidentel de l'outil.
- ▶ **Conserver les outils à l'arrêt hors de la portée des enfants et ne pas permettre à des personnes ne connaissant pas l'outil ou les présentes instructions de le faire fonctionner.** Les outils sont dangereux entre les mains d'utilisateurs novices.
- ▶ **Observer la maintenance de l'outil. Vérifier qu'il n'y a pas de mauvais alignement ou de blocage des parties mobiles, des pièces cassées ou toute autre condition pouvant affecter le fonctionnement de l'outil. En cas de dommages, faire réparer l'outil avant de l'utiliser.** De nombreux accidents sont dus à des outils mal entretenus.
- ▶ **Garder affûtés et propres les outils permettant de couper.** Des outils destinés à couper correctement entretenus avec des pièces coupantes tranchantes sont moins susceptibles de bloquer et sont plus faciles à contrôler.
- ▶ **Utiliser l'outil, les accessoires et les lames etc., conformément à ces instructions, en tenant compte des conditions de travail et du travail à réaliser.** L'utilisation de l'outil pour des opérations différentes de celles prévues pourrait donner lieu à des situations dangereuses.

Maintenance et entretien

- ▶ **Faire entretenir l'outil par un réparateur qualifié utilisant uniquement des pièces de rechange identiques.** Cela assurera que la sécurité de l'outil est maintenue.

Consignes de sécurité pour toutes les applications

Avertissements de sécurité communs pour les opérations de meulage ou de façonnage

- ▶ **Cet outil est prévu pour fonctionner comme meuleuse ou outil de façonnage. Lire tous les avertissements de sécurité, toutes les instructions, toutes les illustrations et toutes les spécifications fournies avec cet outil.** Ne pas suivre les instructions énumérées ci-dessous

peut donner lieu à un choc électrique, un incendie et/ou une blessure sérieuse.

- ▶ **Il n'est pas recommandé de réaliser des opérations de ponçage, de brossage métallique, de lustrage ou de tronçonnage avec cet outil.** Les opérations pour lesquelles l'outil n'a pas été conçu peuvent présenter un danger et entraîner des blessures.
- ▶ **Ne pas utiliser des accessoires non spécifiquement conçus et recommandés par le fabricant de l'outil.** Du fait que l'accessoire peut être fixé à l'outil, le fabricant n'en garantit pas le fonctionnement en toute sécurité.
- ▶ **La vitesse assignée de l'accessoire doit être au moins égale à la vitesse maximale indiquée sur l'outil.** Les accessoires tournant plus rapidement que leur vitesse assignée peuvent se briser et voler en éclats.
- ▶ **Le diamètre extérieur et l'épaisseur de l'accessoire de meulage doivent correspondre à la capacité assignée de l'outil.** Des accessoires de meulage non correctement dimensionnés ne peuvent pas être convenablement contrôlés.
- ▶ **Les dimensions de la tige des meules, des tambours de ponçage ou de n'importe quel autre accessoire doivent être telles qu'elles se montent correctement sur l'arbre ou sur la pince à serrage concentrique de l'outil.** Les accessoires ne s'ajustant pas correctement sur le dispositif de montage de l'outil présenteront un balourd, vibreront énormément et pourront entraîner une perte de contrôle.
- ▶ **Les meules montées sur tiges, les tambours de ponçage, les outils de coupe ou autres accessoires montés sur tiges, doivent être complètement insérés dans la pince à serrage concentrique ou dans le mandrin.** Si la tige est insuffisamment tenue et/ou si le porte-à-faux de la meule est trop important, la meule montée sur mandrin peut se desserrer et être éjectée à vitesse élevée.
- ▶ **Ne pas utiliser d'accessoire endommagé. Inspecter l'accessoire avant chaque utilisation, comme les meules pour déceler des ébréchantures et des fissures, les tambours de ponçage pour mettre en évidence des fissures, une déchirure ou une usure excessive, les brosses métalliques pour repérer des fils mal fixés ou prêts à se détacher.** Si l'outil ou l'accessoire est tombé, l'inspecter pour déceler des dommages ou monter un accessoire non endommagé. Après inspection et montage d'un accessoire, se tenir éloigné (l'opérateur et les tiers) du plan de l'accessoire rotatif et faire tourner l'outil à vide, pendant une minute à vitesse maximale. Les accessoires endommagés se briseront habituellement pendant cet essai.
- ▶ **Porter des équipements de protection individuelle. Selon l'application, utiliser un écran facial, des lunettes de protection ou des lunettes de sécurité. Au besoin, porter un masque anti-poussières, des protecteurs d'oreille, des gants et un tablier d'atelier capable d'arrêter de petits fragments d'abrasif ou de pièce à travailler.** La protection oculaire doit être capable d'arrêter les projections de débris produits par les diverses opérations. Le masque anti-poussières ou le respirateur doit être capable de filtrer les particules produites par l'opération en cours. Une exposition prolongée à un bruit de forte intensité peut entraîner une perte d'audition.
- ▶ **Maintenir les autres personnes à une distance de sécurité de la zone de travail. Toute personne entrant dans la zone de travail doit porter des équipements de protection individuelle.** Des fragments de pièce usinée ou d'accessoire brisé peuvent être projetés et entraîner des dommages au-delà de la zone immédiate de travail.
- ▶ **Tenir l'outil uniquement par ses surfaces de préhension isolées lorsque des opérations sont réalisées pendant lesquelles l'accessoire de coupe peut entrer en contact avec un câblage caché ou avec son propre cordon d'alimentation.** Si l'accessoire de coupe entre en contact avec un fil sous tension, des parties métalliques de l'outil non isolées peuvent se retrouver aussi sous tension et pourraient soumettre l'opérateur à un choc électrique.
- ▶ **Toujours tenir l'outil fermement en main(s) pendant le démarrage.** Alors qu'il accélère jusqu'à la vitesse maximale, le couple de réaction du moteur peut provoquer un mouvement de rotation de l'outil.
- ▶ **Utiliser des brides pour maintenir la pièce à travailler chaque fois que cela est possible. Ne jamais tenir une petite pièce à travailler dans une main et l'outil dans l'autre, alors qu'il est en fonctionnement.** Le bridage d'une petite pièce à travailler permet à l'opérateur d'utiliser ses mains pour contrôler l'outil. Un matériau rond comme des tiges de goupille, des tubes ou des tuyaux ont tendance à rouler lors de leur coupe et peuvent entraîner le grippage de l'outil de travail ou le dérapage vers soi.
- ▶ **Placer le cordon d'alimentation à l'écart de l'accessoire en rotation.** En cas de perte de contrôle, le cordon peut être coupé ou il peut être accroché et la main ou le bras de l'opérateur peut être amené au contact de l'accessoire en rotation.
- ▶ **Ne jamais reposer l'outil avant le retour à l'arrêt complet de l'accessoire.** L'accessoire en rotation peut accrocher la surface et faire perdre le contrôle de l'outil.
- ▶ **Après avoir changé d'outil de travail ou réalisé toute adaptation, s'assurer que l'écrou de la pince à serrage concentrique, que le mandrin ou que tout autre dispositif d'adaptation sont serrés de façon sûre.** Des dispositifs d'adaptation mal serrés peuvent inopinément se desserrer, entraînant une perte de contrôle; les éléments en rotation desserrés seront violemment éjectés.
- ▶ **Ne pas faire tourner l'outil en le transportant à ses côtés.** Un contact accidentel avec l'accessoire en rotation pourrait accrocher les vêtements de l'opérateur, tirant l'accessoire et l'amenant à être en contact avec son corps.
- ▶ **Nettoyer régulièrement les événements de l'outil.** Le ventilateur du moteur attirera la poussière à l'intérieur du boîtier et l'accumulation excessive de poudre métallique peut exposer l'outil à des risques électriques.

- ▶ **Ne pas faire fonctionner l'outil à proximité de matériaux inflammables.** Des étincelles pourraient enflammer ces matériaux.
- ▶ **Ne pas utiliser d'accessoires nécessitant des liquides de refroidissement.** L'utilisation d'eau ou d'autres liquides de refroidissement peut entraîner une électrocution ou un choc électrique.

Recul et avertissements correspondants

Le recul est une réaction soudaine au pincement ou à l'accrochage d'une meule rotative, d'une bande de ponçage, d'une brosse ou de tout autre accessoire. Le pincement ou l'accrochage provoque un blocage rapide de l'accessoire en rotation qui, à son tour, contraint l'outil hors de contrôle dans le sens opposé de rotation de l'accessoire.

Par exemple, si une meule abrasive est accrochée ou pincée par la pièce à usiner, le bord de la meule qui entre dans le point de pincement peut creuser la surface du matériau, provoquant des sauts ou l'expulsion de la meule. La meule peut sauter en direction de l'opérateur ou s'en éloigner, selon le sens du mouvement de la meule au point de pincement. Les meules abrasives peuvent également se rompre dans ces conditions.

Le recul résulte d'un mauvais usage de l'outil et/ou de procédures ou de conditions de fonctionnement incorrectes et peut être évité en prenant les précautions appropriées spécifiées ci-dessous.

- ▶ **L'opérateur doit maintenir fermement l'outil et placer son corps et ses bras de manière à résister aux forces de recul.** L'opérateur peut maîtriser les forces de recul, s'il prend des précautions adéquates.
 - ▶ **Apporter un soin particulier lors de travaux dans les coins, sur les arêtes vives, etc. Éviter les rebondissements et les accrochages de l'accessoire.** Les coins, les arêtes vives ou les rebondissements ont tendance à accrocher l'accessoire en rotation et à provoquer une perte de contrôle ou un recul.
 - ▶ **Ne pas monter de lames de scie dentées.** De telles lames provoquent des reculs fréquents et des pertes de contrôle.
 - ▶ **Guider toujours l'outil de travail dans la même direction dans le matériau dans laquelle l'arête de coupe ressort du matériau (correspond à la même direction dans laquelle les copeaux sont éjectés).** En guidant l'outil dans la mauvaise direction, l'arête de coupe de l'outil de travail s'échappera de la pièce à travailler et l'outil sera entraîné dans la direction de cette avance.
 - ▶ **Lors de l'utilisation de limes rotatives, de fraises à grande vitesse ou au carbure de tungstène, toujours maintenir la pièce à travailler de façon sûre.** Dès la plus légère inclinaison dans la rainure, ces meules accrocheront et pourront provoquer un recul. Lorsqu'une lime rotative, une fraise à grande vitesse ou au carbure de tungstène accroche, elle peut s'échapper de la rainure et pourra entraîner une perte de contrôle de l'outil.
- Avertissements de sécurité spécifiques aux opérations de meulage et de tronçonnage à l'abrasif**
- ▶ **N'utiliser que des types de meules recommandés pour l'outil et uniquement pour les applications recommandées. Par exemple: ne pas meuler en utilisant le coté de la meule à tronçonner.** Les meules à tronçonner abrasives sont destinées au meulage périphérique. Des forces latérales appliquées à ces meules peuvent les faire voler en éclats.
 - ▶ **Pour les cônes filetés sur broche fileté, n'utiliser que des tiges en bon état, avec un collet épaulé sans détalonnage, de la bonne taille et de la bonne longueur.** Des tiges adaptées diminueront l'éventualité d'une cassure.
 - ▶ **Ne pas bloquer la meule à tronçonner ou ne pas appliquer de pression excessive. Ne pas tenter d'exécuter une profondeur de coupe exagérée.** Une trop grande contrainte de la meule augmente sa charge et sa probabilité de torsion ou d'accrochage dans la rainure de coupe et la possibilité de recul ou de rupture.
 - ▶ **Ne pas placer de main dans l'alignement de la meule en rotation et derrière elle.** Lorsque la meule, au point de fonctionnement, s'éloigne de la main de l'opérateur, le recul éventuel peut propulser la meule en rotation et l'outil directement sur celui-ci.
 - ▶ **Lorsque la meule est accrochée ou pincée ou lorsque la coupe est interrompue pour une raison quelconque, mettre l'outil hors tension et le tenir immobile jusqu'à ce que la meule soit à l'arrêt complet. Ne jamais tenter d'enlever la meule à tronçonner de la rainure de coupe alors qu'elle est en mouvement, sinon un recul peut se produire.** Rechercher et prendre des mesures correctives afin d'éliminer la cause d'accrochage ou de pincage de la meule.
 - ▶ **Ne pas reprendre l'opération de coupe dans la pièce à usiner. Laisser la meule atteindre sa pleine vitesse et la réengager avec précautions dans la rainure de coupe.** La meule peut se gripper, venir chevaucher la pièce à usiner ou effectuer un recul si l'on fait redémarrer l'outil dans la pièce à usiner.
 - ▶ **Soutenir les panneaux ou toute pièce à travailler de grandes dimensions pour réduire le risque de pincement et de recul de la meule.** Les grandes pièces à travailler ont tendance à fléchir sous leur propre poids. Des supports doivent être placés sous la pièce à travailler près de la ligne de coupe et près du bord de la pièce des deux côtés de la meule.
 - ▶ **D'extrêmes précautions doivent être prises lors de la réalisation d'une encoche dans des parois existantes ou dans d'autres zones en travaillant "en aveugle".** La meule en saillie peut couper des tuyaux de gaz ou d'eau, des câblages électriques ou des objets, ce qui peut entraîner un recul.

Consignes de sécurité additionnelles

- ▶ **Attendez que les meules aient refroidi avant de les toucher.** Les meules deviennent très chaudes pendant leur utilisation.
- ▶ **Utilisez un détecteur approprié pour vérifier s'il n'y a pas de conduites cachées ou contactez votre société de distribution d'eau locale.** Tout contact avec des câbles électriques peut provoquer un incendie ou un choc électrique. Tout endommagement d'une conduite de gaz peut provoquer une explosion. La perforation d'une conduite d'eau provoque des dégâts matériels et peut provoquer un choc électrique.
- ▶ **Bloquez la pièce à travailler.** Une pièce à travailler serrée par des dispositifs de serrage appropriés ou dans un étau est fixée de manière plus sûre que quand elle est tenue avec une main.
- ▶ **Cet outil électroportatif n'est pas conçu pour une utilisation stationnaire.** Ne le serrez pas dans un étau et ne le fixez pas à un établi.

Description des prestations et du produit



Lisez attentivement toutes les instructions et consignes de sécurité. Le non-respect des instructions et consignes de sécurité peut provoquer un choc électrique, un incendie et/ou entraîner de graves blessures.

Référez-vous aux illustrations qui se trouvent à l'avant de la notice d'utilisation.

Utilisation conforme

L'outil électroportatif est conçu pour le meulage et l'ébavurage de métaux au moyen de meules au corindon et pour le travail avec des dispositifs de bandes abrasives.

Éléments constitutifs

La numérotation des éléments de l'appareil se réfère à la représentation de l'outil électroportatif sur la page graphique.

- (1) Pince de serrage
- (2) Écrou de serrage
- (3) Broche d'entraînement
- (4) Collet de broche
- (5) Interrupteur Marche/Arrêt
- (6) Poignée (surface de préhension isolée)
- (7) Manchon de protection
- (8) Tige de maintien^{a)}
- (9) Clé plate de 17 mm^{a)}
- (10) Longueur libre maximale L₀
- (11) Tige d'emmanchement

a) **Les accessoires décrits ou illustrés ne sont pas tous compris dans la fourniture. Vous trouverez les accessoires complets dans notre gamme d'accessoires.**

Caractéristiques techniques

Meuleuse droite		GG5 5000	GG5 5000 L
Référence		3 601 B23 0..	3 601 B24 1..
Puissance absorbée nominale	W	500	550
Régime nominal	tr/min	33 000	33 000
Diamètre maxi pince de serrage	mm	8	8
Diamètre de collet de broche	mm	43,5	41
Épaisseur maxi de l'accessoire de meulage	mm	30	30
Diamètre maxi de l'accessoire de meulage	mm	25	25
Longueur libre maximale L ₀	mm	10	10
Longueur de tige maxi	mm	35	35
Poids selon EPTA-Procédure 01:2014	kg	1,0	1,4
Indice de protection		□/II	□/II

Les données indiquées sont valables pour une tension nominale [U] de 230 V. Elles peuvent varier lorsque la tension diffère de cette valeur et sur certaines versions destinées à certains pays.

Informations sur le niveau sonore/les vibrations

	GG5 5000	GG5 5000 L
	3 601 B23 0..	3 601 B24 1..

Valeurs d'émissions sonores déterminées conformément à **EN 60745-2-23**.

Le niveau sonore en dB(A) typique de l'outil électroportatif est de :

Niveau de pression acoustique	dB(A)	80	81
-------------------------------	-------	-----------	-----------

		GG5 5000	GG5 5000 L
Niveau de puissance acoustique	dB(A)	91	92
Incertitude K	dB	3	3
Portez un casque antibruit !			
Valeurs globales de vibration a_h (somme vectorielle sur les trois axes) et incertitude K conformément à EN 60745-2-23 :			
a_h	m/s^2	3,5	3,5
K	m/s^2	1,5	1,5

Le niveau de vibration indiqué dans cette notice d'utilisation a été mesuré à l'aide d'un procédé de mesure normalisé et peut être utilisé pour effectuer une comparaison entre outils électroportatifs. Il est également approprié pour une estimation préliminaire de la charge vibratoire.

Le niveau de vibration s'applique pour les utilisations principales de l'outil électroportatif. En cas d'utilisation de l'outil électroportatif pour d'autres applications, avec d'autres accessoires ou bien en cas d'entretien non approprié, le niveau sonore peut être différent. Il peut en résulter une nette augmentation de la charge vibratoire pendant toute la durée de travail.

Pour une estimation précise de la charge vibratoire, il est recommandé de prendre aussi en considération les périodes pendant lesquelles l'appareil est éteint ou en fonctionnement, mais pas vraiment utilisé. Ceci peut réduire considérablement la charge vibratoire pendant toute la durée de travail.

Prévoyez des mesures de protection supplémentaires permettant de protéger l'utilisateur de l'effet des vibrations, par exemple : maintenance de l'outil électroportatif et des accessoires de travail, maintien des mains au chaud, organisation des procédures de travail.

Montage

► **Débranchez le câble d'alimentation de la prise avant d'effectuer des travaux quels qu'il soient sur l'outil électroportatif.**

► **L'accessoire doit être enfoncé d'au moins 10 mm.**

Grâce à la longueur de tige nominale L_0 il est possible de déterminer la vitesse de rotation maximale admissible de l'accessoire à partir des données du fabricant de l'accessoire. Cette vitesse ne doit pas se trouver en dessous de la vitesse de rotation maximale de l'accessoire.

Montage d'un accessoire de meulage (voir figure A)

(GG5 5000)

- Nettoyez la broche d'entraînement (3) et toutes les pièces à monter.
- Tournez la broche d'entraînement (3) jusqu'à ce que le trou traversant de la broche d'entraînement (3) et les évidements du carter coïncident. Insérez la tige de maintien (8) dans le trou traversant de la broche d'entraînement (3) et les évidements du carter.

- Desserrez l'écrou de serrage (2) avec la clé plate (9) (17 mm) en tournant dans le sens antihoraire.
- Insérez la tige de la meule jusqu'en butée dans la pince de serrage (1).
- Resserrez l'écrou de serrage (2) avec la clé plate (9) (17 mm) en tournant dans le sens horaire.

Les outils de meulage doivent pouvoir tourner parfaitement sans balourds. Ne continuez pas à utiliser des outils de meulage excentriques mais changez-les.

► **Ne serrez en aucun cas la pince de serrage à l'aide de l'écrou de serrage tant que l'outil de meulage n'est pas monté.** La pince de serrage risque sinon d'être endommagée.

Montage d'un accessoire de meulage (voir figure B)

(GG5 5000 L)

- Nettoyez la broche d'entraînement (3) et toutes les pièces à monter.
- Bloquez la broche d'entraînement (3) avec la clé plate (9) au niveau du méplat. Desserrez l'écrou de serrage (2) avec la clé plate (9) en tournant dans le sens antihoraire.
- Insérez la tige de la meule jusqu'en butée dans la pince de serrage (1).
- Bloquez la broche d'entraînement (3) avec la clé plate (9) et serrez la meule avec la clé plate (9) en tournant dans le sens horaire.

Les outils de meulage doivent pouvoir tourner parfaitement sans balourds. Ne continuez pas à utiliser des outils de meulage excentriques mais changez-les.

► **Ne serrez en aucun cas la pince de serrage à l'aide de l'écrou de serrage tant que l'outil de meulage n'est pas monté.** La pince de serrage risque sinon d'être endommagée.

► **N'utilisez que des meules sur tige avec diamètre de tige approprié.** Une meule sur tige dont le diamètre de tige ne correspond pas au porte-outil (voir « Caractéristiques techniques ») ne peut pas être tenue correctement et endommage la pince de serrage.

Aspiration de poussières/de copeaux

Les poussières de matériaux tels que peintures contenant du plomb, certains bois, minéraux ou métaux, peuvent être nuisibles à la santé. Entrer en contact ou aspirer les poussières peut entraîner des réactions allergiques et/ou des maladies

respiratoires auprès de l'utilisateur ou de personnes se trouvant à proximité.

Certaines poussières telles que les poussières de chêne ou de hêtre sont considérées comme cancérigènes, surtout en association avec des additifs pour le traitement du bois (chromate, lazure). Les matériaux contenant de l'amiante ne doivent être travaillés que par des personnes qualifiées.

- Veillez à bien aérer la zone de travail.
- Il est recommandé de porter un masque respiratoire avec un niveau de filtration de classe P2.

Respectez les règlements spécifiques aux matériaux à traiter en vigueur dans votre pays.

- ▶ **Évitez toute accumulation de poussières sur le lieu de travail.** Les poussières peuvent facilement s'enflammer.

Mise en marche

Mise en marche

- ▶ **Tenez compte de la tension du réseau ! La tension de la source de courant doit correspondre aux indications se trouvant sur la plaque signalétique de l'outil électroportatif. Les outils électroportatifs marqués 230 V peuvent également fonctionner sur 220 V.**
- ▶ **Assurez-vous avant chaque utilisation que la pince de serrage (1) et l'écrou de serrage (2) ne présentent aucun dommage visible.**

Mise en marche/arrêt

Pour **mettre en marche** l'outil électroportatif, poussez l'interrupteur Marche/Arrêt (5) vers l'avant.

Pour **bloquer** l'interrupteur Marche/Arrêt (5), appuyez sur l'interrupteur Marche/Arrêt (5) jusqu'à ce qu'il s'enclenche.

Pour **arrêter** l'outil électroportatif, relâchez l'interrupteur Marche/Arrêt (5) ou, s'il a été bloqué, appuyez brièvement sur la partie arrière de l'interrupteur Marche/Arrêt (5), puis relâchez ce dernier.

Instructions d'utilisation

- ▶ **Débranchez le câble d'alimentation de la prise avant d'effectuer des travaux quels qu'il soient sur l'outil électroportatif.**
- ▶ **Ne provoquez pas l'arrêt de l'outil électroportatif en exerçant une pression trop forte.**
- ▶ **Après l'avoir fortement sollicité, laissez tourner l'outil électroportatif à vide pendant quelques minutes pour refroidir l'accessoire de travail.**
- ▶ **Les meules deviennent très chaudes pendant leur utilisation. Attendez qu'elles aient refroidi avant de les toucher.**
- ▶ **Protégez les outils abrasifs contre les coups.**

Pour un résultat optimal, guidez la meule de façon régulière en exerçant une pression modérée. Une pression trop forte réduit la performance de l'outil électroportatif et la meule s'use plus vite.

Entretien et Service après-vente

Nettoyage et entretien

- ▶ **Débranchez le câble d'alimentation de la prise avant d'effectuer des travaux quels qu'il soient sur l'outil électroportatif.**
- ▶ **Tenez toujours propres l'outil électroportatif ainsi que les fentes de ventilation afin d'obtenir un travail impeccable et sûr.**
- ▶ **Dans la mesure du possible, utilisez toujours un aspirateur quand les conditions de travail sont extrêmes. Soufflez fréquemment de l'air comprimé au travers des fentes de ventilation et placez un disjoncteur différentiel (PRCD) en amont.** Lors du travail des métaux, il est possible que des poussières métalliques à effet conducteur se déposent à l'intérieur de l'outil. La double isolation de l'outil électroportatif risque alors d'être endommagée.

Dans le cas où il s'avère nécessaire de remplacer le câble d'alimentation, confiez le remplacement à **Bosch** ou une station de Service Après-Vente agréée pour outillage **Bosch** afin de ne pas compromettre la sécurité.

Stockez et traitez les accessoires avec précaution.

Service après-vente et conseil utilisateurs

Notre Service après-vente répond à vos questions concernant la réparation et l'entretien de votre produit et les pièces de rechange. Vous trouverez des vues éclatées et des informations sur les pièces de rechange sur le site :

www.bosch-pt.com

L'équipe de conseil utilisateurs Bosch se tient à votre disposition pour répondre à vos questions concernant nos produits et leurs accessoires.

Pour toute demande de renseignement ou toute commande de pièces de rechange, précisez impérativement la référence à 10 chiffres figurant sur l'étiquette signalétique du produit.

Maroc

Robert Bosch Morocco SARL
53, Rue Lieutenant Mahroud Mohamed
20300 Casablanca
Tel.: +212 5 29 31 43 27
E-Mail : sav.outillage@ma.bosch.com

Vous trouverez d'autres adresses du service après-vente sous :

www.bosch-pt.com/serviceaddresses

Élimination des déchets

Les outils électroportatifs, ainsi que leurs accessoires et emballages, doivent pouvoir suivre chacun une voie de recyclage appropriée.



Ne jetez pas les outils électroportatifs avec les ordures ménagères !



Português

Instruções de segurança

Indicações gerais de advertência para ferramentas eléctricas



Devem ser lidas todas as indicações de advertência e todas as instruções.

O desrespeito das advertências e instruções apresentadas abaixo pode causar choque eléctrico, incêndio e/ou graves lesões.

Guarde bem todas as advertências e instruções para futura referência.

O termo "ferramenta eléctrica" utilizado a seguir nas indicações de advertência, refere-se a ferramentas eléctricas operadas com corrente de rede (com cabo de rede) e a ferramentas eléctricas operadas com acumulador (sem cabo de rede).

Segurança da área de trabalho

- ▶ **Mantenha a sua área de trabalho sempre limpa e bem iluminada.** Desordem ou áreas de trabalho insuficientemente iluminadas podem levar a acidentes.
- ▶ **Não trabalhar com a ferramenta eléctrica em áreas com risco de explosão, nas quais se encontrem líquidos, gases ou pós inflamáveis.** Ferramentas eléctricas produzem faíscas, que podem inflamar pós ou vapores.
- ▶ **Manter crianças e outras pessoas afastadas da ferramenta eléctrica durante a utilização.** No caso de distração é possível que perca o controlo sobre o aparelho.

Segurança eléctrica

- ▶ **A ficha de conexão da ferramenta eléctrica deve caber na tomada. A ficha não deve ser modificada de maneira alguma. Não utilizar uma ficha de adaptação junto com ferramentas eléctricas protegidas por ligação à terra.** Fichas não modificadas e tomadas apropriadas reduzem o risco de um choque eléctrico.
- ▶ **Evitar que o corpo possa entrar em contacto com superfícies ligadas à terra, como tubos, aquecimentos, fogões e frigoríficos.** Há um risco elevado devido a um choque eléctrico, se o corpo estiver ligado à terra.
- ▶ **Manter o aparelho afastado de chuva ou humidade.** A infiltração de água numa ferramenta eléctrica aumenta o risco de choque eléctrico.
- ▶ **Não deverá utilizar o cabo para outras finalidades. Nunca utilizar o cabo para transportar a ferramenta eléctrica, para pendurá-la, nem para puxar a ficha da tomada. Manter o cabo afastado do calor, do óleo, de**

arestas afiadas ou de peças em movimento. Cabos danificados ou emaranhados aumentam o risco de um choque eléctrico.

- ▶ **Se trabalhar com uma ferramenta eléctrica ao ar livre, só deverá utilizar cabos de extensão apropriados para áreas exteriores.** A utilização de um cabo de extensão apropriado para áreas exteriores reduz o risco de um choque eléctrico.
- ▶ **Se não for possível evitar o funcionamento da ferramenta eléctrica em áreas húmidas, deverá ser utilizado um disjuntor de corrente de avaria.** A utilização de um disjuntor de corrente de avaria reduz o risco de um choque eléctrico.

Segurança de pessoas

- ▶ **Esteja atento, observe o que está a fazer e tenha prudência ao trabalhar com a ferramenta eléctrica. Não utilizar uma ferramenta eléctrica quando estiver fatigado ou sob a influência de drogas, álcool ou medicamentos.** Um momento de descuido ao utilizar a ferramenta eléctrica, pode levar a lesões graves.
 - ▶ **Utilizar equipamento de protecção individual. Utilizar sempre óculos de protecção.** A utilização de equipamento de protecção pessoal, como máscara de protecção contra pó, sapatos de segurança antiderrapantes, capacete de segurança ou protecção auricular, de acordo com o tipo e aplicação da ferramenta eléctrica, reduz o risco de lesões.
 - ▶ **Evitar uma colocação em funcionamento involuntária. Assegure-se de que a ferramenta eléctrica esteja desligada, antes de conectá-la à alimentação de rede e/ou ao acumulador, antes de levantá-la ou de transportá-la.** Se tiver o dedo no interruptor ao transportar a ferramenta eléctrica ou se o aparelho for conectado à alimentação de rede enquanto estiver ligado, poderão ocorrer acidentes.
 - ▶ **Remover ferramentas de ajuste ou chaves de boca antes de ligar a ferramenta eléctrica.** Uma ferramenta ou chave que se encontre numa parte do aparelho em movimento pode levar a lesões.
 - ▶ **Evite uma posição anormal. Mantenha uma posição firme e mantenha sempre o equilíbrio.** Desta forma é mais fácil controlar a ferramenta eléctrica em situações inesperadas.
 - ▶ **Usar roupa apropriada. Não usar roupa larga nem jóias. Mantenha os cabelos, roupas e luvas afastadas de partes em movimento.** Roupas frouxas, cabelos longos ou jóias podem ser agarrados por peças em movimento.
 - ▶ **Se for possível montar dispositivos de aspiração ou de recolha, assegure-se de que estejam conectados e utilizados correctamente.** A utilização de uma aspiração de pó pode reduzir o perigo devido ao pó.
- Utilização e manuseio cuidadoso de ferramentas eléctricas**
- ▶ **Não sobrecarregue a ferramenta eléctrica. Utilize a ferramenta eléctrica apropriada para o seu trabalho. É**

melhor e mais seguro trabalhar com a ferramenta eléctrica apropriada na área de potência indicada.

- ▶ **Não utilizar uma ferramenta eléctrica com um interruptor defeituoso.** Uma ferramenta eléctrica que não pode mais ser ligada nem desligada, é perigosa e deve ser reparada.
- ▶ **Puxar a ficha da tomada e/ou remover o acumulador antes de executar ajustes no aparelho, de substituir acessórios ou de guardar o aparelho.** Esta medida de segurança evita o arranque involuntário da ferramenta eléctrica.
- ▶ **Guardar ferramentas eléctricas não utilizadas fora do alcance de crianças e não permitir que as pessoas que não estejam familiarizadas com o aparelho ou que não tenham lido estas instruções utilizem o aparelho.** Ferramentas eléctricas são perigosas se forem utilizadas por pessoas inexperientes.
- ▶ **Tratar a ferramenta eléctrica com cuidado. Controlar se as partes móveis do aparelho funcionam perfeitamente e não emperram, e se há peças quebradas ou danificadas que possam prejudicar o funcionamento da ferramenta eléctrica. Permitir que peças danificadas sejam reparadas antes da utilização.** Muitos acidentes têm como causa, a manutenção insuficiente de ferramentas eléctricas.
- ▶ **Manter as ferramentas de corte afiadas e limpas.** Ferramentas de corte cuidadosamente tratadas e com cantos de corte afiados emperram com menos frequência e podem ser conduzidas com maior facilidade.
- ▶ **Utilizar a ferramenta eléctrica, acessórios, ferramentas de aplicação, etc. conforme estas instruções. Considerar as condições de trabalho e a tarefa a ser executada.** A utilização de ferramentas eléctricas para outras tarefas a não ser as aplicações previstas, pode levar a situações perigosas.

Serviço

- ▶ **Só permita que o seu aparelho seja reparado por pessoal especializado e qualificado e só com peças de reposição originais.** Desta forma é assegurado o funcionamento seguro do aparelho.

Instruções de segurança para todas as aplicações

Avisos de segurança comuns para desbastar ou entalhar

- ▶ **Esta ferramenta eléctrica foi concebida para funcionar como uma rebarbadora ou ferramenta de entalhar. Devem ser lidas todas as indicações de segurança, instruções, ilustrações e especificações desta ferramenta eléctrica.** O desrespeito das instruções apresentadas abaixo poderá resultar em choque eléctrico, incêndio e/ou ferimentos graves.
- ▶ **Não é recomendado utilizar esta ferramenta eléctrica para executar operações de desbaste, escovagem com arame, polimento ou corte.** A execução de operações para as quais a ferramenta eléctrica não foi concebida pode acarretar riscos e provocar lesões.

- ▶ **Não utilize acessórios que não tenham sido especificamente concebidos e recomendados pelo fabricante da ferramenta.** Mesmo que seja possível adaptar o acessório à sua ferramenta eléctrica, isso não constitui uma garantia de utilização segura.
- ▶ **A velocidade nominal dos acessórios de desbaste deve ser, no mínimo, igual à velocidade máxima indicada na ferramenta eléctrica.** Os acessórios de desbaste que forem utilizados a uma velocidade superior àquela para a qual foram concebidos poderão desintegrar-se e projetar fragmentos.
- ▶ **O diâmetro externo e a espessura do acessório devem ser compatíveis com a potência nominal da sua ferramenta eléctrica.** Os acessórios com um tamanho incorreto não podem ser devidamente controlados.
- ▶ **O eixo dos discos, rolos de lixar ou outros acessórios devem adaptar-se corretamente ao veio ou pinça de aperto da ferramenta eléctrica.** Os acessórios não compatíveis com o hardware de instalação da ferramenta eléctrica irão funcionar de forma desequilibrada, vibrar excessivamente e poderão provocar a perda de controlo.
- ▶ **Os discos de montagem em mandril, rolos de lixar, lâminas ou outros acessórios têm de ser totalmente inseridos na pinça de aperto ou mandril.** Se o mandril não tiver uma fixação suficiente e/ou se o disco ficar demasiado saliente, o disco montado pode soltar-se e ser projetado a alta velocidade.
- ▶ **Não utilize um acessório danificado. Antes de cada utilização, inspecione os acessórios como, por exemplo, discos abrasivos quanto a presença de lascas e fissuras, rolo de lixar quanto à presença de fissuras ou desgaste excessivo, escova de arame quanto à presença de fios soltos ou partidos. Se deixar cair a ferramenta eléctrica ou o acessório, verifique se há danos ou instale um acessório intacto. Depois de inspecionar e instalar um acessório, proteja-se a si e às outras pessoas do plano do acessório rotativo e faça funcionar a ferramenta eléctrica com o número máximo de rotações em vazio durante um minuto.** Normalmente, os acessórios danificados desintegram-se durante este período de teste.
- ▶ **Use equipamento de proteção individual. Dependendo da aplicação, use uma viseira ou óculos de proteção. Consoante o caso, use máscara de proteção contra pó, proteções auriculares, luvas e um avental de trabalho com capacidade para deter pequenos fragmentos abrasivos ou da peça de trabalho.** Os óculos de proteção devem proteger contra quaisquer detritos projetados durante as diversas operações. A máscara de proteção contra pó ou máscara respiratória devem ter capacidade para filtrar a partículas geradas durante o seu trabalho. A exposição prolongada a ruídos de elevada intensidade poderá causar perda de audição.
- ▶ **Mantenha as outras pessoas presentes no local a uma distância segura da área de trabalho. Qualquer pessoa que entre na área de trabalho tem de usar equipamento de proteção individual.** Os fragmentos de

uma peça de trabalho ou de um acessório partido podem ser projetados e provocar ferimentos fora da área de trabalho imediata.

- ▶ **Segure a ferramenta elétrica nas superfícies de agarrar isoladas, ao executar uma operação onde o acessório de corte possa entrar em contacto com cabos escondidos ou com o próprio cabo.** Se o acessório de corte entrar em contacto com um fio "sob tensão", as partes metálicas expostas da ferramenta elétrica ficam "sob tensão" e podem produzir um choque elétrico.
- ▶ **Segure sempre firmemente a ferramenta na(s) mão(s) durante o arranque.** O binário de reação do motor, à medida que ele acelera a toda a velocidade, pode fazer girar a ferramenta.
- ▶ **Sempre que possível use grampos para prender a peça. Nunca segure uma peça de trabalho pequena numa mão e a ferramenta na outra enquanto estiver em uso.** Fixar uma pequena peça de trabalho permite que use a(s) mão(s) para controlar a ferramenta. O material redondo, como pernos de cavilha, tubos ou tubulação, tende a rolar enquanto está a ser cortado e pode fazer com que a ponta se dobre e salte na sua direção.
- ▶ **Afaste o cabo do acessório rotativo.** Na eventualidade de perder o controlo, o cabo pode ser cortado ou ficar preso e a sua mão ou braço podem ser puxados na direção do acessório rotativo.
- ▶ **Nunca pouse a ferramenta elétrica até que o acessório tenha parado por completo.** Caso contrário, o acessório rotativo pode engatar na superfície e fazer-lhe perder o controlo da ferramenta elétrica.
- ▶ **Depois de trocar as pontas ou fazer quaisquer ajustes, certifique-se de que a porca, o mandril ou qualquer outro dispositivo de ajuste estão firmemente apertados.** Os dispositivos de ajuste soltos podem deslizar inesperadamente, causando perda de controlo, e os componentes rotativos soltos serão ejetados de forma violenta.
- ▶ **Nunca coloque a ferramenta elétrica em funcionamento enquanto a transporta.** O contacto accidental do acessório rotativo com a sua roupa pode puxar o acessório na direção do seu corpo.
- ▶ **Limpe regularmente as aberturas de ventilação da ferramenta elétrica.** Caso contrário, o ventilador do motor irá aspirar o pó para o interior da carcaça e a acumulação excessiva de pós metálicos poderá provocar riscos de natureza elétrica.
- ▶ **Não utilize a ferramenta elétrica junto a materiais inflamáveis.** As faíscas produzidas podem inflamar esses materiais.
- ▶ **Não utilize acessórios que necessitem de refrigerantes líquidos.** A utilização de água ou de outros refrigerantes líquidos poderá resultar em eletrocussão ou choque elétrico.

Efeito de coice e indicações relacionadas

O efeito de coice é uma reação súbita a um disco rotativo, uma cinta de lixa, escova ou outro acessório entalado ou bloqueado. O entalamento ou bloqueio provoca uma paragem rápida do acessório rotativo que, por sua vez, faz com que a ferramenta elétrica descontrolada seja impelida na direção oposta à rotação do acessório.

Por exemplo, se um disco abrasivo ficar bloqueado ou for entalado pela peça de trabalho, a extremidade do disco que estiver em contacto com o ponto de bloqueio pode penetrar a superfície do material, fazendo com que o disco suba ou salte. O disco poderá então saltar na direção do utilizador ou para longe deste, dependendo da direção do movimento do disco no ponto de entalamento. Os discos abrasivos também podem partir-se nestas condições.

O efeito de coice é o resultado de uma utilização abusiva e/ou condições ou procedimentos incorretos de utilização da ferramenta elétrica e pode ser evitado tomando as precauções indicadas abaixo.

- ▶ **Segure a ferramenta elétrica com firmeza e posicione o seu corpo e braço de forma a poder resistir ao efeito de coice.** O utilizador poderá controlar o efeito de coice caso tome as devidas precauções.
- ▶ **Tenha especial cuidado ao trabalhar em cantos, arestas aguçadas, etc. Evite que o acessório ressalte ou fique preso.** Os cantos, as arestas aguçadas ou o ressalto do acessório rotativo tendem a fazer com que este fique preso e provoque a perda de controlo ou o efeito de coice.
- ▶ **Não acople uma lâmina de serra dentada.** Tais lâminas provocam com frequência o efeito de coice e a perda de controlo.
- ▶ **Alimente sempre a ponta no material na mesma direção em que a aresta de corte sai do material (que é a mesma direção em que as aparas são projetadas).** Alimentar a ferramenta na direção errada faz com que a aresta de corte da ponta saia do trabalho e puxe a ferramenta na direção dessa alimentação.
- ▶ **Ao usar limas rotativas, cortadores de alta velocidade ou cortadores de carbeto de tungstênio, tenha sempre o trabalho firmemente fixo.** Os discos ficam engatados se se entortarem no entalhe e pode ocorrer o efeito de coice. Quando uma lima rotativa, o cortador de alta velocidade ou o cortador de carbeto de tungstênio fica engatado, pode saltar do entalhe e é possível que perca o controlo sobre a ferramenta.

Indicações de segurança específicas para operações de desbaste e de corte abrasivo

- ▶ **Use somente os tipos de discos recomendados para sua ferramenta elétrica e somente para aplicações recomendadas. Por exemplo: não lixe com a parte lateral do disco de corte.** Os discos abrasivos de corte destinam-se a um desbaste periférico, a aplicação de forças laterais nestes discos poderá provocar a sua desintegração.
- ▶ **Para cones e pontas abrasivos roscados, utilize apenas mandrils de disco intactos com um flange com**

colar não aliviado de tamanho e comprimento corretos. Os mandris adequados reduzem as possibilidades de quebra.

- ▶ **Não "encrave" um disco de corte nem aplique uma pressão excessiva. Não tente efetuar cortes com uma profundidade de corte excessiva.** A sobrecarga do disco aumenta a carga e a suscetibilidade de torcer ou bloquear o disco no corte e a possibilidade de ocorrer o efeito de coice ou a quebra do disco.
- ▶ **Não posicione a sua mão em linha e atrás do disco rotativo.** Quando o disco, no ponto de operação, está a afastar-se da sua mão, o potencial efeito de coice pode impelir o disco em rotação e a ferramenta elétrica na sua direção.
- ▶ **Quando o disco está a comprimir, bloquear ou se interromper um corte por qualquer motivo, desligue a ferramenta elétrica e mantenha ferramenta elétrica imóvel até que o disco pare por completo. Nunca tente retirar o disco em rotação do corte, caso contrário, pode ocorrer o efeito de coice.** Investigue e tome as medidas necessárias para eliminar o motivo pelo qual o disco ficou entalado ou bloqueado.
- ▶ **Não reinicie a operação de corte na peça de trabalho. Deixe o disco atingir a velocidade máxima e introduza-o cuidadosamente no corte.** O disco pode bloquear, subir ou ressaltar caso a ferramenta elétrica seja acionada com o disco introduzido na peça de trabalho.
- ▶ **Apoie os painéis ou qualquer peça de trabalho de grandes dimensões para reduzir o risco de entalamento e ressalto do disco.** As peças de trabalho de grandes dimensões tendem a abater sob o seu próprio peso. Coloque suportes sob a peça de trabalho junto à linha de corte e junto da extremidade da peça de trabalho, de ambos os lados do disco.
- ▶ **Tenha especial cuidado ao efetuar um "corte de imersão" em paredes existentes ou noutras áreas cegas.** O disco protuberante pode cortar canalizações de água ou de gás, fios elétricos ou objetos que podem provocar o efeito de coice.

Instruções de segurança adicionais

- ▶ **Não toque nos discos abrasivos antes que estes arrefeçam.** Os discos tornam-se extremamente quentes durante o trabalho.
- ▶ **Utilizar detetores apropriados, para encontrar cabos escondidos, ou consulte a companhia elétrica local.** O contacto com cabos elétricos pode provocar fogo e

choques elétricos. Danos em tubos de gás podem levar à explosão. A penetração num cano de água causa danos materiais ou pode provocar um choque elétrico.

- ▶ **Fixar a peça a ser trabalhada.** Uma peça a ser trabalhada fixa com dispositivos de aperto ou com torno de bancada está mais firme do que segurada com a mão.
- ▶ **A ferramenta elétrica não é adequada para o funcionamento estacionário.** Não pode p. ex. ser presa num torno de bancada ou fixada a uma bancada de trabalho.

Descrição do produto e do serviço



Leia todas as instruções de segurança e instruções. A inobservância das instruções de segurança e das instruções pode causar choque elétrico, incêndio e/ou ferimentos graves.

Respeite as figuras na parte da frente do manual de instruções.

Utilização adequada

A ferramenta elétrica destina-se a lixar e rebarbar metal com abrasivos de corindo, assim como para trabalhar com rolos de lixar.

Componentes ilustrados

A numeração dos componentes ilustrados refere-se à apresentação da ferramenta elétrica na página de esquemas.

- (1) Pinça de aperto
- (2) Porca de aperto
- (3) Veio de trabalho
- (4) Gola do veio
- (5) Interruptor de ligar/desligar
- (6) Punho (superfície do punho isolada)
- (7) Bucha de proteção
- (8) Pino de retenção^{a)}
- (9) Chave de bocas tamanho 17 mm^{a)}
- (10) Amplitude do encabudo L₀
- (11) Adaptador

a) **Acessórios apresentados ou descritos não pertencem ao volume de fornecimento padrão. Todos os acessórios encontram-se no nosso programa de acessórios.**

Dados técnicos

Retificadora direita		GG5 5000	GG5 5000 L
Número de produto		3 601 B23 0..	3 601 B24 1..
Potência nominal absorvida	W	500	550
Rotações nominais	r.p.m.	33000	33000
Diâmetro máx. da pinça de aperto	mm	8	8
Diâmetro da gola do veio	mm	43,5	41

Retificadora direita		GG5 5000	GG5 5000 L
Espessura máx. do rebolo	mm	30	30
Diâmetro máx. do rebolo	mm	25	25
Amplitude máx. do encabadoiro L ₀	mm	10	10
Comprimento máx. adaptador	mm	35	35
Peso conforme EPTA-Procedure 01:2014	kg	1,0	1,4
Classe de proteção		□ / II	□ / II

Os dados aplicam-se a uma tensão nominal [U] de 230 V. Com tensões divergentes e em versões específicas do país, estes dados podem variar.

Informação sobre ruídos/vibrações

	GG5 5000	GG5 5000 L
	3 601 B23 0..	3 601 B24 1..

Os valores de emissão de ruído foram determinados de acordo com **EN 60745-2-23**.

Normalmente, o nível sonoro de classe A da ferramenta elétrica compreende

Nível de pressão acústica	dB(A)	80	81
Nível da potência acústica	dB(A)	91	92
Incerteza K	dB	3	3

Usar proteção auditiva!

Valores totais de vibração a_h (soma dos vetores das três direções) e incerteza K determinada segundo **EN 60745-2-23**:

a _h	m/s ²	3,5	3,5
K	m/s ²	1,5	1,5

O nível de vibrações indicado nestas instruções de serviço foi medido de acordo com um processo de medição normalizado e pode ser utilizado para a comparação de aparelhos. Ele também é apropriado para uma avaliação provisória da carga de vibrações.

O nível de vibrações indicado representa as aplicações principais da ferramenta elétrica. Se a ferramenta elétrica for utilizada para outras aplicações, com outras ferramentas de trabalho ou com manutenção insuficiente, é possível que o nível de vibrações seja diferente. Isso pode aumentar consideravelmente a carga de vibrações durante o período completo de trabalho.

Para uma avaliação exata da carga de vibrações, também deveriam ser considerados os períodos nos quais a ferramenta está desligada ou funciona, mas não está sendo utilizado. Isto pode reduzir consideravelmente a carga de vibrações durante o período completo de trabalho.

Além disso também deverão ser estipuladas medidas de segurança para proteger o operador contra o efeito de vibrações, como por exemplo: manutenção de ferramentas elétricas e acessórios, manter as mãos quentes e organização dos processos de trabalho.

Montagem

- ▶ **Antes de todos trabalhos na ferramenta elétrica deverá puxar a ficha de rede da tomada.**
- ▶ **O acessório tem de estar tensionado a pelo menos 10 mm.** Com a amplitude do encabadoiro L₀ pode ser determinado o número de rotações máximo admissível do

acessório a partir das indicações do fabricante do mesmo. Este não pode ser inferior ao número de rotações máximo da ferramenta elétrica.

Montar as ferramentas de lixar (ver figura A) (GG5 5000)

- Limpe o veio de trabalho **(3)** e todas as peças a serem montadas.
- Rode o veio de trabalho **(3)**, até que o furo no veio de trabalho **(3)** esteja alinhado com os entalhes na carcaça. Insira o pino de retenção **(8)** através dos entalhes na carcaça e do furo do veio de trabalho **(3)**.
- Solte a porca de aperto **(2)** com a chave de bocas **(9)** (tamanho 17 mm) rodando para a esquerda.
- Insira o veio de fixação do abrasivo até ao batente na pinça de aperto **(1)**.
- Aperte a porca de aperto **(2)** com a chave de bocas **(9)** (tamanho 17 mm) rodando para a direita.

Os abrasivos devem girar perfeitamente. Abrasivos deformados não devem continuar a ser utilizados, mas devem ser trocados.

- ▶ **Nunca aperte a pinças de aperto com a porca de aperto, enquanto não estiver montado um abrasivo.** Caso contrário, pode danificar a pinça de aperto.

Montar as ferramentas de lixar (ver figura B) (GG5 5000 L)

- Limpe o veio de trabalho (3) e todas as peças a serem montadas.
- Segure o veio de trabalho (3) na face da chave com a chave de bocas (9). Solte a porca de aperto (2) com a chave de bocas (9) na face da chave rodando para a esquerda.
- Insira o veio de fixação do abrasivo até ao batente na pinça de aperto (1).
- Segure o veio de trabalho (3) com a chave de bocas (9) e aperte o acessório com a chave de bocas (9) na face da chave rodando para a direita.

Os abrasivos devem girar perfeitamente. Abrasivos deformados não devem continuar a ser utilizados, mas devem ser trocados.

- ▶ **Nunca aperte a pinças de aperto com a porca de aperto, enquanto não estiver montado um abrasivo.** Caso contrário, pode danificar a pinça de aperto.
- ▶ **Utilize apenas pontas abrasivas com um diâmetro do encabadouro adequado.** Uma ponta abrasiva, cujo diâmetro do encabadouro não coincida com o encaixe da ferramenta elétrica (ver "Dados técnicos"), não pode ser segurada corretamente e danifica a pinça de aperto.

Aspiração de pó/de aparas

Pós de materiais como por exemplo, tintas que contém chumbo, alguns tipos de madeira, minerais e metais, podem ser nocivos à saúde. O contacto ou a inalação dos pós pode provocar reações alérgicas e/ou doenças nas vias respiratórias do utilizador ou das pessoas que se encontrem por perto.

Certos pós, como por exemplo pó de carvalho e faia são considerados como sendo cancerígenos, especialmente quando juntos com substâncias para o tratamento de madeiras (cromato, preservadores de madeira). Material que contém asbesto só deve ser processado por pessoal especializado.

- Assegurar uma boa ventilação do local de trabalho.
- É recomendável usar uma máscara de proteção respiratória com filtro da classe P2.

Observe as diretivas para os materiais a serem processados, vigentes no seu país.

- ▶ **Evite a acumulação de pó no local de trabalho.** Pós podem entrar levemente em ignição.

Funcionamento

Colocação em funcionamento

- ▶ **Observar a tensão de rede! A tensão da fonte de corrente elétrica deve coincidir com os dados que constam na placa de características da ferramenta elétrica. Ferramentas elétricas marcadas para 230 V também podem ser operadas com 220 V.**
- ▶ **Verifique antes de cada utilização se a pinça de aperto (1) e a porca de aperto (2) não apresentam danos visíveis.**

Ligar/desligar

Para a **colocação em funcionamento** da ferramenta elétrica, desloque o interruptor de ligar/desligar (5) para a frente.

Para **fixar** o interruptor de ligar/desligar (5) pressione o interruptor de ligar/desligar (5) à frente para baixo até este engatar.

Para **desligar** a ferramenta elétrica liberte o interruptor de ligar/desligar (5) ou se este estiver bloqueado, pressione o interruptor de ligar/desligar (5) brevemente atrás para baixo e depois liberte-o.

Instruções de trabalho

- ▶ **Antes de todos trabalhos na ferramenta elétrica deverá puxar a ficha de rede da tomada.**
- ▶ **Não sobrecarregar demasiado a ferramenta elétrica, provocando uma paragem.**
- ▶ **Após um trabalho com carga elevada, deverá permitir que a ferramenta elétrica funcione alguns minutos em vazio, para que o acessório possa arrefecer.**
- ▶ **Os abrasivos tornam-se extremamente quentes durante o trabalho. Não toque nos mesmos antes de terem arrefecido.**
- ▶ **Guarde as ferramentas de lixar protegidas contra embates.**

A fim de obter um excelente resultado de trabalho, desloque os abrasivos para trás e para a frente, exercendo uma ligeira pressão. Uma pressão muito elevada reduz a capacidade da ferramenta elétrica e causa um rápido desgaste do abrasivo.

Manutenção e assistência técnica

Manutenção e limpeza

- ▶ **Antes de todos trabalhos na ferramenta elétrica deverá puxar a ficha de rede da tomada.**
- ▶ **Manter a ferramenta elétrica e as aberturas de ventilação sempre limpas, para trabalhar bem e de forma segura.**
- ▶ **Em condições de utilização extremas utilize sempre, se possível, um sistema de aspiração. Sobre frequentemente as aberturas de ventilação e interconecte um disjuntor de corrente de avaria (PRCD). Durante o processamento de metais é possível que se deposite pó condutivo no interior da ferramenta elétrica. Isto pode prejudicar o isolamento de proteção da ferramenta elétrica.**

Se for necessário instalar um cabo de ligação, a instalação deve ser feita pela **Bosch** ou por um centro de serviço autorizado para ferramentas elétricas **Bosch**, para evitar perigos de segurança.

Os acessórios devem ser armazenados e tratados com cuidado.

Serviço pós-venda e aconselhamento

O serviço pós-venda responde às suas perguntas a respeito de serviços de reparação e de manutenção do seu produto, assim como das peças sobressalentes. Desenhos explodidos e informações acerca das peças sobressalentes também em: www.bosch-pt.com

A nossa equipa de consultores Bosch esclarece com prazer todas as suas dúvidas a respeito dos nossos produtos e acessórios.

Indique para todas as questões e encomendas de peças sobressalentes a referência de 10 dígitos de acordo com a placa de características do produto.

Brasil

Robert Bosch Ltda. – Divisão de Ferramentas Elétricas
Rodovia Anhanguera, Km 98 - Parque Via Norte
13065-900, CP 1195
Campinas, São Paulo
Tel.: 0800 7045 446
www.bosch.com.br/contato

Encontra outros endereços da assistência técnica em:

www.bosch-pt.com/serviceaddresses

Eliminação

Ferramentas elétricas, acessórios e embalagens devem ser enviados a uma reciclagem ecológica de matérias-primas.



Não deitar ferramentas elétricas no lixo doméstico!

中文

安全规章

电动工具通用安全警告

警告！ 阅读所有警告和所有说明！不遵照以下警告和说明会导致电

击、着火和 / 或严重伤害。

保存所有警告和说明书以备查阅。

在所有下列的警告中术语“电动工具”指市电驱动（有线）电动工具或电池驱动（无线）电动工具。

工作场地的安全

- ▶ 保持工作场地清洁和明亮。混乱和黑暗的场地会引发事故。
- ▶ 不要在易爆环境，如有易燃液体、气体或粉尘的环境下操作电动工具。电动工具产生的火花会点燃粉尘或气体。
- ▶ 让儿童和旁观者离开后操作电动工具。注意力不集中会使操作者失去对工具的控制。

电气安全

- ▶ 电动工具插头必须与插座相配。绝不能以任何方式改装插头。需接地的电动工具不能使用任何转

换插头。未经改装的插头和相配的插座将减少电击危险。

- ▶ 避免人体接触接地表面，如管道、散热片和冰箱。如果你身体接地会增加电击危险。
- ▶ 不得将电动工具暴露在雨中或潮湿环境中。水进入电动工具将增加电击危险。
- ▶ 不得滥用电线。绝不能用电线搬运、拉动电动工具或拔出其插头。使电线远离热源、油、锐边或运动部件。受损或缠绕的软线会增加电击危险。
- ▶ 当在户外使用电动工具时，使用适合户外使用的外接软线。适合户外使用的软线将减少电击危险。
- ▶ 如果在潮湿环境下操作电动工具是不可避免的，应使用剩余电流动作保护器（RCD）。使用RCD可减小电击危险。

人身安全

- ▶ 保持警觉，当操作电动工具时关注所从事的操作并保持清醒。当你感到疲倦，或在有药物、酒精或治疗反应时，不要操作电动工具。在操作电动工具时瞬间的疏忽会导致严重人身伤害。
- ▶ 使用个人防护装置。始终佩戴护目镜。安全装置，诸如适当条件下使用防尘面具、防滑安全鞋、安全帽、听力防护等装置能减少人身伤害。
- ▶ 防止意外起动。确保开关在连接电源和/或电池盒、拿起或搬运工具时处于关断位置。手指放在已接通电源的开关上或开关处于接通时插入插头可能会导致危险。
- ▶ 在电动工具接通之前，拿掉所有调节钥匙或扳手。遗留在电动工具旋转零件上的扳手或钥匙会导致人身伤害。
- ▶ 手不要伸展得太长。时刻注意立足点和身体平衡。这样在意外情况下能很好地控制电动工具。
- ▶ 着装适当。不要穿宽松衣服或佩戴饰品。让衣服、手套和头发远离运动部件。宽松衣服、佩戴或长发可能会卷入运动部件中。
- ▶ 如果提供了与排屑、集尘设备连接用的装置，要确保他们连接完好且使用得当。使用这些装置可减少尘屑引起的危险。

电动工具使用和注意事项

- ▶ 不要滥用电动工具，根据用途使用适当的电动工具。选用适当设计的电动工具会使你工作更有效、更安全。
- ▶ 如果开关不能接通或关断工具电源，则不能使用该电动工具。如果开关不能接通或关断工具电源，则不能使用该电动工具。
- ▶ 在进行任何调节、更换附件或贮存电动工具之前，必须从电源上拔掉插头和/或使电池盒与工具脱开。这种防护性措施将减少工具意外起动的危险。
- ▶ 将闲置不用的电动工具贮存在儿童所及范围之外，并且不要让不熟悉电动工具或对这些说明不了解的人操作电动工具。电动工具在未经培训的用户手中是危险的。
- ▶ 保养电动工具。检查运动件是否调整到位或卡住，检查零件破损情况和影响电动工具运行的其

他状况。如有损坏，电动工具应在使用前修理好。许多事故由维护不良的电动工具引发。

- ▶ 保持切割刀具锋利和清洁。保养良好的有锋利切削刃的刀具不易卡住而且容易控制。
- ▶ 按照使用说明书，考虑作业条件和进行的作业来使用电动工具、附件和工具的刀头等。将电动工具用于那些与其用途不符的操作可能会导致危险。

维修

- ▶ 将你的电动工具送交专业维修人员，使用同样的备件进行修理。这样将确保所维修的电动工具的安全性。

所有应用的安全警告

打磨或雕刻操作的通用安全警告

- ▶ 本电动工具可作为打磨机或者雕刻工具使用。请阅读本电动工具附带的所有安全警告、说明、图示和技术规格。未遵照下面列出的所有说明会导致电击、着火和 / 或严重伤害。
- ▶ 不建议使用该电动工具执行砂磨、钢丝/尼龙丝清洁、抛光或切断等操作。将电动工具用于非指定操作可能产生危险，造成人身伤害。
- ▶ 不得使用非由工具制造商专门设计和推荐的附件。附件仅仅能安装到本电动工具上并不能保证操作安全。
- ▶ 打磨附件的额定转速必须至少等同于标注在电动工具上的最大转速。如果打磨附件转速超过其额定转速，可能会断裂并飞出。
- ▶ 附件的外径和厚度必须在电动工具的额定载荷内。尺寸不正确的附件无法得到妥当控制。
- ▶ 砂轮、砂鼓或其它任何附件的芯轴尺寸必须适合电动工具的芯轴或夹头。如果附件与电动工具的安装硬件不匹配，它会失去平衡、剧烈振动并可能导致失控。
- ▶ 安装在芯轴上的砂轮、砂鼓、切割片或其它附件必须完全插入夹头或卡盘。如果芯轴未充分固定和 / 或砂轮的伸出量过长，则安装的砂轮可能会在高转速下松动并弹出。
- ▶ 不得使用损坏的附件。每次使用前，检查砂轮等附件是否有碎片和裂纹，砂鼓是否有裂纹、裂口或过度磨损以及钢丝刷是否松动或钢丝开裂。如果电动工具或附件掉落，应检查其是否损坏或安装一个完好的附件。检查并安装附件后，使自己和旁观者远离旋转的附件的平面，并让电动工具以最大空载转速旋转一分钟。损坏的附件通常在测试期间会裂开。
- ▶ 佩戴个人防护装置。根据应用情况，使用面罩或护目镜。视情况而定，戴上防尘面具、听力保护装置、手套和能够阻挡小块磨料或工件碎片的车间用围兜。眼部保护装置必须能阻挡由各种操作所产生的飞溅碎片。防尘面罩或呼吸器必须能过滤操作所产生的颗粒。长时间处于高强度噪音中可能导致失聪。
- ▶ 让旁观者与工作区域保持一定的安全距离。任何进入工作区域的人员都必须佩戴个人防护设备。

工件或断裂的附件碎片可能会飞出，并造成操作区域以外的损害。

- ▶ 操作期间，切割附件可能接触暗线或其自带电源线，一定要握住电动工具的绝缘握持面。切割工具一旦接触“带电”导线，可能会使电动工具外露的金属部件“带电”，并使操作员触电。
- ▶ 在启动期间，始终用双手牢牢握持工具。当电机加速到全速时，其反扭矩会导致工具扭转。
- ▶ 在切实可行的情况下，使用夹箍支撑加工件。在使用时，切勿用一只手握住小型加工件，用另一只手握住工具。夹紧小型加工件，以便您用双手控制工具。在切割过程中，传动杆、管道、管材等圆形材料易发生滚动，并可能导致钻头粘滞或弹向您。
- ▶ 不要将电源线放在旋转的附件周围。如失去控制，电源线可能被切割或钩住，您的手臂可能被卷入旋转的附件。
- ▶ 在附件完全停下前，切勿将电动工具放下。旋转的附件可能会钩住物体的表面，并使电动工具失控。
- ▶ 更换钻头或执行任何调整后，确保夹头螺母、卡盘或任何其它调整装置已牢牢拧紧。松动的调整装置会发生意外位移，导致失去控制，而松动的旋转组件会被猛烈甩出。
- ▶ 当电动工具朝向您时，不得运行电动工具。意外触碰到旋转的附件会钩住您的衣物，将附件拽向您的身体。
- ▶ 定期清理电动工具的通风口。电机风扇会将粉尘吸入壳体，大量聚集的粉末状金属可能导致电气危险。
- ▶ 不要在可燃材料附近操作电动工具。火花可能点燃这些材料。
- ▶ 不要使用需要液体冷却剂的附件。使用水或其他液体冷却剂可能导致触电或电击。

回弹和相关警告

回弹是针对旋转的砂轮、砂圈、刷子或其它附件被夹住或钩住的突然反应。夹住或钩住会导致旋转中的附件快速停止转动，导致失控的电动工具冲向与附件旋转相反的方向。

例如，当砂轮被工件钩住或夹住时，进入夹点的砂轮边缘可能插入材料表面，造成砂轮爬出或回弹。砂轮可能会跳向或跳离操作者，取决于砂轮在夹点的移动方向。在这些条件下，砂轮也可能断裂。

回弹是电动工具不当使用和 / 或操作流程或条件不正确的结果，可通过采取以下预防措施来避免。

- ▶ 牢牢把握住电动工具，将身体和手臂摆好位置，以抵挡回弹力。如采取适当的预防措施，操作者可以控制回弹力。
- ▶ 当加工边角或尖锐边缘等时，必须特别小心。应避免附件反弹或被钩住。边角、尖锐边缘或反弹均可能使旋转中的附件被钩住，从而导致失控或回弹。
- ▶ 不要安装齿锯片。这类锯片会造成频繁回弹和失控。
- ▶ 当切削刃移出材料时，始终顺着相同的方向（即与碎片甩出相同的方向）将钻头送入材料。工具

放入方向错误会导致锯片的锯齿爬离工件，并将工具拉向放入的方向。

- ▶ **当使用旋转锉、高速切割片或碳化钨切割片时，应始终牢牢夹紧工件。**如果这些砂轮在沟槽中略微倾斜，会导致其切入沟槽甚至发生回弹。当旋转锉、高速切割片或碳化钨切割片切入时，它可能会跳离沟槽且导致工具失控。

研磨和砂轮切割操作的特定安全警告

- ▶ **只能使用推荐用于您的电动工具的砂轮类型，并仅将其用于推荐应用。例如：不要用切割砂轮的侧面进行打磨。**磨料切割片用于圆周磨削，施加到这些砂轮上的侧向力可能使它们破裂。
- ▶ **对于螺纹砂锥和砂磨头，只能将完好的砂轮芯轴与尺寸及长度正确的未减轻凸肩法兰组合使用。**正确的芯轴可降低发生断裂的几率。
- ▶ **不要“卡住”切割砂轮或过分施加压力。不要试图切割过深。**过度对砂轮施加应力会增加负荷，并提高切割中砂轮扭曲或钩住的敏感性以及回弹或砂轮破损的可能性。
- ▶ **不要让手部与旋转的砂轮处于一条直线上或处于其后方。**如果砂轮在操作点朝着远离您手部的方向移动，则可能出现回弹，将旋转的砂轮和电动工具直接推向您。
- ▶ **当砂轮被夹住或钩住或者由于某种原因中断切割时，将电动工具关机并保持不动，直至砂轮完全停下。不要试图在切割砂轮转动时将砂轮从切口移出，否则会出现回弹。**研究并采取纠正措施，以消除砂轮夹住或钩住的诱因。
- ▶ **不要在附件还在工件中时重新启动切割操作。让砂轮达到全速，小心地再次进入切口。**如果在砂轮还在工件中时重新启动电动工具，砂轮可能粘滞、上移或回弹。
- ▶ **对板材或任何超大工件进行支撑，以降低砂轮夹住和回弹的风险。**大工件会因自重而自然下垂。必须在工件下方靠近切割线处以及砂轮两侧靠近工件边缘处进行支撑。
- ▶ **对现有墙体或其它盲区进行“盲切割”时应格外小心。**伸出的砂轮可能会割到煤气管或水管、电线或导致回弹的物体。

技术参数

直磨机		GG5 5000	GG5 5000 L
物品代码		3 601 B23 0..	3 601 B24 1..
额定输入功率	瓦	500	550
额定转速	转/分钟	33000	33000
最大夹钳直径	毫米	8	8
主轴颈直径	毫米	43.5	41
最大砂轮厚度	毫米	30	30
最大砂轮直径	毫米	25	25
最大柄部净长L ₀	毫米	10	10
最大接头柄长度	毫米	35	35

其他安全规章

- ▶ **在砂轮冷却之前，切勿紧握砂轮。**工作时砂轮会变得非常炙热。
- ▶ **使用合适的侦测装置侦察隐藏的电线，或者向当地的相关单位寻求支援。**接触电线可能引起火灾并让操作者触电。损坏了瓦斯管会引起爆炸。凿穿水管不仅会造成严重的财物损失，也可能导致触电。
- ▶ **固定好工件。**使用固定装置或老虎钳固定工件，会比用手紧握工件更牢固。
- ▶ **本电动工具不适合固定式应用。**例如不允许夹在虎钳上或固定在工作台上。

产品和性能说明



请阅读所有安全规章和指示。不遵照以下警告和说明可能导致电击、着火和/或严重伤害。

请注意本使用说明书开头部分的图示。

按照规定使用

安装了金刚砂砂轮后，可以使用本电动工具研磨金属和磨削金属上的毛边。也可以在本机器上安装磨削砂带来进行研磨。

插图上的机件

机件的编号和电动工具详解图上的编号一致。

- (1) 夹钳
- (2) 夹紧螺母
- (3) 研磨主轴
- (4) 主轴颈
- (5) 电源开关
- (6) 手柄（绝缘握柄）
- (7) 保护套筒
- (8) 固定销^{a)}
- (9) 开口度17毫米的开口扳手^{a)}
- (10) 柄部净长L₀
- (11) 接头柄

a) 图表或说明上提到的附件，并不包含在基本的供货范围中。本公司的附件清单中有完整的附件供应项目。

直磨机		GG5 5000	GG5 5000 L
重量符合EPTA-Procedure 01:2014	公斤	1.0	1.4
保护等级		□/II	□/II

所有参数适用于230伏的额定电压[U]，对于其他不同的电压和国际规格，数据有可能不同。

安装

- ▶ 在电动工具上进行所有操作之前都必须从插座上拔出电源插头。
- ▶ 切削附件必须至少夹紧10毫米。利用柄部净长 L_0 ，可以从切削附件制造商的数据中计算出切削附件的最大允许转速。该转速不得低于电动工具的最大转速。

安装磨具（参见插图A）

(GG5 5000)

- 清洁研磨主轴(3)和所有待安装的零件。
- 旋转研磨主轴(3)，直至研磨主轴(3)上的孔和外壳上的开口齐平。将固定销(8)插入，穿过外壳上的开口和研磨主轴(3)上的孔。
- 逆时针转动开口扳手(9)（开口度17毫米），松开夹紧螺母(2)。
- 将砂轮的夹紧面插入夹钳(1)直到极限位置。
- 顺时针转动开口扳手(9)（开口度17毫米），拧紧夹紧螺母(2)。

研磨体必须能够顺畅而均匀地旋转。不要继续使用已经变形的研磨体，而是要马上更换。

- ▶ 只要还未安装研磨体，就绝不可拧紧夹钳和夹紧螺母。否则会损坏夹钳。

安装磨具（参见插图B）

(GG5 5000 L)

- 清洁研磨主轴(3)和所有待安装的零件。
- 用开口扳手(9)的扳手面固定住研磨主轴(3)。逆时针转动开口扳手(9)的扳手面，松开夹紧螺母(2)。
- 将砂轮的夹紧面插入夹钳(1)直到极限位置。
- 用开口扳手(9)固定住研磨主轴(3)，然后顺时针转动开口扳手(9)的扳手面，夹紧切削附件。

研磨体必须能够顺畅而均匀地旋转。不要继续使用已经变形的研磨体，而是要马上更换。

- ▶ 只要还未安装研磨体，就绝不可拧紧夹钳和夹紧螺母。否则会损坏夹钳。
- ▶ 请只使用柄径合适的磨头。如果磨头的柄径与电动工具的工具夹头不一致（参见“技术数据”），则无法正确固定住磨头，而且会损坏夹钳。

吸粉尘/吸锯屑

含铅的颜料以及某些木材、矿物和金属的加工废尘有害健康。机器操作者或者工地附近的人如果接触、吸入这些废尘，可能会有过敏反应或者感染呼吸道疾病。

某些尘埃（例如加工橡木或山毛榉的废尘）可能致癌，特别是和处理木材的添加剂（例如木材的防腐

剂等）结合之后。只有经过专业训练的人才能够加工含石棉的物料。

- 工作场所要保持空气流通。
- 最好佩戴P2滤网等级的口罩。

请留心并遵守贵国和加工物料有关的法规。

- ▶ 避免让工作场所堆积过多的尘垢。尘埃容易被点燃。

运行

投入使用

- ▶ 注意电源电压！电源的电压必须和电动工具铭牌上标示的电压一致。标记为230伏电动工具用220伏的电压可以驱动。
- ▶ 每次使用前先检查夹钳(1)和夹紧螺母(2)有无可见损坏。

接通/关闭

如要运行电动工具，请将电源开关(5)向前推。

如要锁定电源开关(5)，请向前按下电源开关(5)直至卡止。

如要关闭电动工具，请松开电源开关(5)，或当电源开关卡止时短促向后按下电源开关(5)，然后松开。

工作提示

- ▶ 在电动工具上进行所有操作之前都必须从插座上拔出电源插头。
- ▶ 勿让电动工具因为过载而停止转动。
- ▶ 强烈过载之后必须让电动工具在无载的状况下运转数分钟，这样能够帮助电动工具冷却。
- ▶ 工作时砂轮会变得非常热。在其冷却之前，请勿抓握。
- ▶ 妥善保管磨具，防止撞击。

轻轻施压并且均匀地左右移动研磨体，以便获得最佳的工作效果。用力按压会降低电动工具的工作能力并导致研磨体迅速磨损。

维修和服务

维护和清洁

- ▶ 在电动工具上进行所有操作之前都必须从插座上拔出电源插头。
- ▶ 电动工具和通气孔必须随时保持清洁，以确保工作效率和工作安全。
- ▶ 在某些极端使用环境下，如果可能的话一定要使用吸尘器。经常吹除通气孔中的污垢，并且要使用故障电流保护开关（PRCD）。加工金属时可能在电动工具的内部堆积会导电的粉尘。这样可能会影响电动工具的安全绝缘性能。

如果必须更换连接线，务必把这项工作交给**Bosch**或者经授权的**Bosch**电动工具顾客服务执行，以避免危害机器的安全性能。
小心地保存和使用附件。

客户服务和应用咨询

本公司顾客服务处负责回答有关本公司产品的修理、维护和备件的问题。备件的展开图纸和信息也可查看：www.bosch-pt.com
博世应用咨询团队乐于就我们的产品及其附件问题提供帮助。

询问和订购备件时，务必提供机器铭牌上标示的10位数字物品代码。

中国大陆

博世电动工具（中国）有限公司
中国 浙江省 杭州市
滨江区 滨康路567号
102/1F 服务中心
邮政编码：310052
电话：(0571)8887 5566 / 5588
传真：(0571)8887 6688 x 5566# / 5588#
电邮：bsc.hz@cn.bosch.com
www.bosch-pt.com.cn

制造商地址：

Robert Bosch Power Tools GmbH
罗伯特·博世电动工具有限公司
70538 Stuttgart / GERMANY
70538 斯图加特 / 德国

其他服务地址请见：

www.bosch-pt.com/serviceaddresses

处理废弃物

必须以符合环保要求的方式回收再利用电动工具、附件和包装材料。



请勿将电动工具扔到生活垃圾中！

繁體中文

安全注意事項

電動工具通用安全警告

警告 閱讀所有警告和所有說明。不遵照以下警告和說明會導致電擊、著火和/或嚴重傷害。

保存所有警告和說明書以備查閱。

在所有警告中，「電動工具」此一名詞泛指：以市電驅動的（有線）電動工具或是以電池驅動的（無線）電動工具。

工作場地的安全

- ▶ 保持工作場地清潔和明亮。雜亂和黑暗的場地會引發事故。
- ▶ 不要在易爆環境，如有易燃液體、氣體或粉塵的環境下操作電動工具。電動工具產生的火花會點燃粉塵或氣體。
- ▶ 讓兒童和旁觀者離開後操作電動工具。注意力不集中會使您失去對工具的控制。

電氣安全

- ▶ 電動工具插頭必須與插座相配。絕不能以任何方式改裝插頭。需接地的電動工具不能使用任何轉換插頭。未經改裝的插頭和相配的插座將減少電擊危險。
- ▶ 避免人體接觸接地表面，如管道、散熱片和冰箱。如果您身體接地會增加電擊危險。
- ▶ 不得將電動工具暴露在雨中或潮濕環境中。水進入電動工具將增加電擊危險。
- ▶ 不得濫用電線。絕不能用電線搬運、拉動電動工具或拔出其插頭。將電線遠離熱源、油、銳利邊緣或移動零件。受損或纏繞的軟線會增加電擊危險。
- ▶ 當在戶外使用電動工具時，使用適合戶外使用的延長線。適合戶外使用的軟線，將減少電擊危險。
- ▶ 如果在潮濕環境下操作電動工具是不可避免的，應使用剩餘電流動作保護器（RCD）。使用RCD可降低電擊危險。

人身安全

- ▶ 保持警覺，當操作電動工具時關注所從事的操作並保持清醒。當您感到疲倦，或在有藥物、酒精或治療反應時，不要操作電動工具。在操作電動工具時瞬間的疏忽會導致嚴重人身傷害。
- ▶ 使用個人防護裝置。務必佩戴護目鏡。安全裝置，諸如適當條件下使用防塵面具、防滑安全鞋、安全帽、聽力防護等裝置能減少人身傷害。
- ▶ 防止意外起動。確保開關在連接電源和/或電池組、拿起或搬運工具時處於關閉位置。手指放在已接通電源的開關上或開關處於接通時插入插頭可能會導致危險。
- ▶ 在電動工具接通之前，拿掉所有調節鑰匙或扳手。遺留在電動工具旋轉零件上的扳手或鑰匙會導致人身傷害。
- ▶ 手不要伸展得太長。時刻注意立足點和身體平衡。這樣在意外情況下能很好地控制電動工具。
- ▶ 著裝適當。不要穿著寬鬆衣服或佩戴飾品。衣服、手套和頭髮請遠離移動零件。寬鬆衣服、佩飾或長髮可能會捲入移動零件中。
- ▶ 如果有排屑、集塵設備連接用的裝置，請確保其連接完好且使用得當。使用這些裝置可減少塵屑引起的危險。

電動工具使用和注意事項

- ▶ 請勿濫用電動工具，根據用途使用適當的電動工具。選用適當設計的電動工具會使您工作更有效、更安全。

- ▶ 如果開關不能開啟或關閉工具電源，則不能使用該電動工具。不能用開關來控制的電動工具是危險的且必須進行修理。
- ▶ 在進行任何調整、更換附件或貯存電動工具之前，必須從電源上拔掉插頭和/或將電池組拆下。這種防護性措施將減少工具意外起動的危險。
- ▶ 將閒置不用的電動工具貯存在兒童所及範圍之外，不得讓不熟悉電動工具或對這些說明不瞭解的人操作電動工具。由未經訓練的人員使用電動工具相當危險。
- ▶ 保養電動工具。檢查移動零件是否調整到位或卡住，檢查零件破損情況和影響電動工具運轉的其他狀況。如有損壞，電動工具應在使用前修理完成。許多事故由維護不良的電動工具引發。
- ▶ 保持切削刀具鋒利和清潔。保養良好的有鋒利切削刀的刀具不易卡住而且容易控制。
- ▶ 按照使用說明書，考慮作業條件和進行的作業來使用電動工具、配件和工具的尖端等。將電動工具用於那些與其用途不符的操作可能會導致危險。

檢修

- ▶ 將您的電動工具送交專業維修人員，必須使用同樣的備件進行更換。這樣將確保所維修的電動工具的安全性。

本安全注意事項適用於任何用途

研磨或雕刻的共用安全警告

- ▶ 本電動工具可作為砂輪機或雕刻工具。請詳讀電動工具隨附的所有安全警告、指示、插圖以及規格等資料。若不遵照以下列出的指示，將可能導致電擊、著火和/或人員重傷。
- ▶ 不建議以此電動工具進行諸如砂磨、鋼絲刷磨、打蠟或切割等項作業。使用本電動工具進行非設計用途的作業將產生危險並導致人員受傷。
- ▶ 請勿使用非針對本工具設計的配件或非工業製造商建議使用的配件。即使該配件可安裝至電動工具上，並不代表可以安全地操作電動工具。
- ▶ 研磨配件的額定速率必須至少等於電動工具上所標示的最大速率。研磨配件的運轉速度若高於其額定速率，可能會造成其破損並解體。
- ▶ 配件的外徑及厚度必須在電動工具的額定功率範圍內。規格不正確的配件會無法有效控制。
- ▶ 砂輪和砂磨滾筒凸緣或其他配件的心軸尺寸必須確實符合電動工具或夾頭的主軸。配件若無法完全符合電動工具的安裝硬體，那麼運轉時將造成失衡、震動幅度過大，甚至造成失控。
- ▶ 心軸固定式砂輪、砂磨滾筒滾筒、切刀或其他配件必須完全插入至夾頭或固定座中。若心軸不足以固定及/或砂輪的懸伸過長，安裝的砂輪可能會在高速下鬆脫或退出。
- ▶ 不可使用已受損的配件。每次使用前請檢查配件，確認研磨砂輪片是否有缺口和裂縫、砂磨滾筒是否有裂縫、撕裂或過度磨損的現象、鋼絲刷是否發生鬆脫或鋼絲缺損的狀況。電動工具或配件萬一掉落，請檢查是否受損或直接換裝完好的

配件。檢查並安裝好配件之後，請您與旁觀者遠離配件的旋轉平面，接著讓電動工具以最高空載速度，持續運轉一分鐘。配件若有受損，通常會在此測試期間分解。

- ▶ 請穿戴個人防護裝備。根據實際操作狀況，使用面罩、安全護目鏡或防護眼鏡。在適當情況下，請戴上防塵面罩、聽力防護裝置、手套以及可防止細小磨料或工件碎片的工作圍裙。護目裝置必須能有效阻擋各種操作中所產生的噴飛碎屑。防塵面罩或口罩必須能過濾操作中所產生的粉塵。暴露在高分貝噪音中過久，會造成聽力受損。
- ▶ 請旁觀者與工作區保持安全距離。進入工作區的所有人員都必須穿戴個人防護裝備。工件碎片或破損的配件可能會四處噴飛，造成作業區範圍以外的附近人員受傷。
- ▶ 進行作業時，負責進行切割的配件可能會碰觸到隱藏的配線或電動工具的電線，請務必僅從絕緣握把處拿持電動工具。負責進行切割的配件若是觸及「導電」電線，可能導致電動工具外露的金屬部件「導電」，進而使操作人員遭受電擊。
- ▶ 啟動時請務必手握緊工具。馬達的反作用轉矩，在加速到全速後，會造成工具扭轉。
- ▶ 請盡量用固定夾支撐加工件。使用時，請勿以單手握住小型加工件同時以另一手握工具。將小型加工件夾住可讓您用（雙）手控制工具。導引桿、管子或軟管這類圓型材料容易在切割時滾動，故會造成鑽頭卡住或向您彈過來。
- ▶ 所有電線務必遠離旋轉中的配件。如果控制不當，有可能會切到或割斷電線，您的手掌或手臂亦可能被捲入正在旋轉的配件中。
- ▶ 在配件完全靜止之前，請勿放下電動工具。旋轉中的配件可能會扣住放置表面，電動工具因為被拉扯而失控。
- ▶ 更換鑽頭或進行任何調整後，請務必確認夾頭螺帽、夾具或其他調整裝置有確實旋緊。鬆脫的調整裝置可能會意外鬆動，造成失控，鬆脫的轉動元件會亂飛。
- ▶ 當您將電動工具握在身體側邊時，請勿讓它運轉。萬一不小心碰觸到旋轉中的配件，衣物可能會被撕裂並將配件導向自己的身體。
- ▶ 請定期清理電動工具的通風口。馬達風扇會將粉塵捲入機殼內，累積過多的金屬粉塵可能危及電氣安全。
- ▶ 請勿在易燃材料旁操作本電動工具。火花可能引燃這些易燃物。
- ▶ 請勿使用需要冷卻液的配件。使用水或其他冷卻液可能導致觸電或電擊事件。

反彈與相關警告

反彈是旋轉中之砂輪、砂磨帶、鐵刷或任何其他配件卡住或斷裂時瞬間產生的反作用力。旋轉中的配件發生卡住或斷裂時會突然停止轉動，這將造成電動工具失控並以配件旋轉相反的方向運轉。

舉例來說，工件如果造成研磨砂輪片斷裂或卡住，已推入卡住位置的砂輪邊緣可能會鑽進材料表面裡，而使砂輪脫出或反彈。依據砂輪卡住時的移動方向，它有可能彈向或跳離操作人員。在上述情況下，研磨砂輪片亦可能斷裂。

反彈是不當使用電動工具及／或操作程序（條件）不正確所造成的結果。採取以下適當預防措施，則可避免此一情況。

- ▶ **緊緊握住電動工具，並穩住您的雙臂和身體，以抵抗反彈力道。**操作人員只要採取適當防護措施，即可控制反彈力道。
- ▶ **處理尖角、銳利邊緣等物時，請穿戴特殊的防護裝備，防範配件彈跳和斷裂。**尖角、銳利邊緣或彈跳力道往往會扯斷旋轉中的配件，並造成工具失控或反彈。
- ▶ **請勿安裝鋸齒型鋸片。**此類刀片會產生規律性反彈，進而導致本工具失控。
- ▶ **將鑽頭送入材質中時，請與切割刀離開材質時相同方向（即與碎片飛出的方向一致）。**以錯誤的方向將工具送入會造成鑽頭的切割刀從工件上滑出並將工具朝送入的方向拉。
- ▶ **使用旋轉銼刀、高速切刀或碳化鎢切刀時，請務必將工件確實固定。**這些砂輪若在溝槽中稍有傾斜，可能會卡住甚至回彈。當旋轉銼刀，高速切刀或碳化鎢切刀卡住時，可能會從溝槽中彈出，造成工具失控。

研磨及打磨切割操作的安全警告

- ▶ **請務必使用您電動工具所建議的砂輪類型，並僅用於建議的應用中。**例如：勿以切割砂輪的兩側進行研磨。切割砂輪係專為周邊研磨而設計。對砂輪側面施力，可能會使其解體。
- ▶ **針對有螺紋的研磨錐及插頭，請僅使用未受損之砂輪心軸搭配大小及長度正確的未減壓唇式凸緣。**適何的心軸可降低斷裂的機會。
- ▶ **切割砂輪不可「卡死」或對其施力過大。不可作太深的切割。**對砂輪施力過大會增加負載，容易造成切割時砂輪扭曲變形或斷裂，並且增加發生反彈或砂輪破損的可能性。
- ▶ **您手的位置不可與旋轉中的砂輪呈一直線，亦不可站在其後。**砂輪運轉時其方向若是轉離您的手，萬一發生反彈時，會將旋轉中的砂輪與電動工具直接推向您。
- ▶ **當砂輪因任何原因卡住、斷裂或中斷切割時，請關閉本電動工具，然後握住它不要移動，直至砂輪完全停止轉動。請勿嘗試在切割砂輪仍運轉時將它移出切口，否則可能引發反彈。**瞭解情況並採取更正措施，以消除砂輪卡住或斷裂的原因。
- ▶ **請勿於工件內部重新開始切割作業。請讓砂輪全速轉動，並小心重新進入切口。**若是在工件內部重新開始運轉電動工具，砂輪可能會卡死不動、往上滑移或發生反彈。
- ▶ **支撐控制板或超大尺寸的工件可降低砂輪卡住及發生反彈的風險。**大型工件可能因其本身的重量

而下垂。必須在工件下方、靠近切割線及靠近工件邊緣的砂輪兩側加以支撐。

- ▶ **在牆面上或其他盲蔽區域進行開孔切割時，請格外小心。**突出的砂輪可能會切斷瓦斯管或水管、電線或任何物件，繼而造成反彈。

其他安全注意事項

- ▶ **砂輪片尚未冷卻之前，切勿用手碰觸。**作業時，切割片會變得非常炙熱。
- ▶ **使用合適的偵測裝置偵察隱藏的電線，或者向當地的相關單位尋求支援。**接觸電線可能引起火災並讓操作者觸電。若損壞瓦斯管會引起爆炸。鑿穿水管不僅會造成嚴重的財物損失，也可能導致觸電。
- ▶ **固定好工件。**使用固定裝置或老虎鉗固定工件，會比用手持握工件更牢固。
- ▶ **本電動工具並不適用於以不移動的方式進行加工。**不得將它夾入老虎鉗或固定在工作桌上。

產品和功率描述



請詳讀所有安全注意事項和指示。如未遵守安全注意事項與指示，可能導致火災、人員遭受電擊及／或重傷。
請留意操作說明書中最前面的圖示。

依規定使用機器

安裝了金剛砂砂輪後，可以使用本電動工具研磨金屬和磨處金屬上的毛邊。也可以在本機器上安裝磨削砂帶來進行研磨。

插圖上的機件

機件的編號和電動工具詳解圖上的編號一致。

- (1) 彈式夾環
- (2) 迫緊螺母
- (3) 磨削主軸
- (4) 軸頸
- (5) 起停開關
- (6) 把手（絕緣握柄）
- (7) 保護套
- (8) 固定銷^{a)}
- (9) 開口扳手，開口度 17 mm^{a)}
- (10) 淨軸尺寸 L₀
- (11) 接頭柄

a) 圖表或說明上提到的配件，並不包含在基本的供貨範圍中。本公司的配件清單中有完整的配件供應項目。

技術性數據

直磨機		GG5 5000	GG5 5000 L
產品機號		3 601 B23 0..	3 601 B24 1..
額定輸入功率	W	500	550
額定轉速	次 / 分	33000	33000
最大彈式夾環直徑	mm	8	8

直磨機		GG5 5000	GG5 5000 L
主軸頸直徑	mm	43.5	41
最大研磨體厚度	mm	30	30
最大研磨體直徑	mm	25	25
最大淨軸尺寸 L ₀	mm	10	10
最大接頭柄長度	mm	35	35
重量符合 EPTA-Procedure 01:2014	kg	1.0	1.4
絕緣等級		□/II	□/II

本說明書提供的參數是以 230 伏特為依據，於低電壓地區，此數據有可能不同。

安裝

- ▶ **維修電動工具或換裝零、配件之前，務必從插座上拔出插頭。**
- ▶ **嵌件工具必須至少夾入 10 mm。**利用最大淨軸尺寸 L₀，便可根據嵌件工具製造商所提供的資訊確定嵌件工具的最高容許轉速。因此其不得低於電動工具的最高轉速。

安裝磨具（請參考圖 A）

(GG5 5000)

- 將磨削主軸 (3) 以及準備裝上的所有部件都清潔乾淨。
- 轉動磨削主軸 (3)，直到磨削主軸 (3) 的開孔和機殼外的卡槽對齊。將固定銷 (8) 穿過機殼上的凹槽和磨削主軸 (3) 的開孔。
- 用開口扳手 (9)（開口寬度 17 mm）逆時針轉動，以便鬆開迫緊螺母 (2)。
- 將研磨體的夾緊軸完全插入彈式夾環 (1) 內。
- 用開口扳手 (9)（開口寬度 17 mm）順時針轉動，以便旋緊迫緊螺母 (2)。

砂輪必須能夠正確而且不偏移地旋轉。不可以繼續使用無法均勻旋轉的磨具，必須更換此磨具。

- ▶ **只要尚未裝上研磨體，就絕對不可透過迫緊螺母將夾頭鎖緊。**否則會造成夾頭損壞。

安裝磨具（請參考圖 B）

(GG5 5000 L)

- 將磨削主軸 (3) 以及準備裝上的所有部件都清潔乾淨。
- 使用扳手槽上的開口扳手 (9) 握穩磨削主軸 (3)。
使用扳手槽上的開口扳手 (9) 逆時針旋轉鬆開迫緊螺母 (2)。
- 將研磨體的夾緊軸完全插入彈式夾環 (1) 內。
- 使用開口扳手 (9) 握穩磨削主軸 (3)，然後使用扳手槽上的開口扳手 (9) 沿順時針方向夾緊嵌件工具。

砂輪必須能夠正確而且不偏移地旋轉。不可以繼續使用無法均勻旋轉的磨具，必須更換此磨具。

- ▶ **只要尚未裝上研磨體，就絕對不可透過迫緊螺母將夾頭鎖緊。**否則會造成夾頭損壞。
- ▶ **僅可使用柄直徑合適的磨棒。**若磨棒的柄直徑與電動工具的工具夾頭若不相符（詳見「技術性數

據」），可能無法正確固定並造成彈式夾環損壞。

吸鋸塵／吸鋸屑

含鉛的顏料及部分木材、礦物和金屬的加工廢塵有害健康。機器操作者或者工地附近的人如果接觸、吸入這些廢塵，可能會有過敏反應或者感染呼吸道疾病。

特定粉塵（例如加工橡木或山毛櫸的廢塵）可能致癌，特別是與處理木材的添加劑（例如木材的防腐劑等）混合之後。只有經過專業訓練的人才允許加工含石棉的物料。

- 工作場所要保持空氣流通。
- 建議佩戴 P2 濾網等級的口罩。

請留意並遵守貴國與加工物料有關的法規。

- ▶ **避免讓工作場所堆積過多的塵垢。**塵埃容易被點燃。

操作

操作機器

- ▶ **請注意電源電壓！**電源的電壓必須和電動工具銘牌上標示的電壓一致。標示為 230 V 的電動工具亦可接上 220 V 電源。
- ▶ **每次使用前，請檢查彈式夾環 (1) 和迫緊螺母 (2) 沒有明顯損壞。**

啟動／關閉

若要讓電動工具開始運轉，請將起停開關 (5) 往前推。

若要鎖定起停開關 (5) 的位置，請按壓起停開關 (5) 前端，直到其卡止。

若要關閉電動工具，請直接放開起停開關 (5) 即可，或者當它處於卡止狀態時，請短按一下起停開關 (5) 後端並隨即放開。

作業注意事項

- ▶ **維修電動工具或換裝零、配件之前，務必從插座上拔出插頭。**
- ▶ **勿讓電動工具因過載而停止轉動。**
- ▶ **電動工具負載過重之後，必須空轉數分鐘，讓嵌件工具冷卻。**
- ▶ **作業時，磨具會變得非常炙熱。磨具尚未冷卻之前，切勿用手碰觸。**

▶ **請妥善收藏磨具，避免受到碰撞。**

輕輕施壓並均勻地來回移動磨具，如此能夠獲得最佳的工作效果。壓力過大會降低電動工具的性能並使研磨體磨損得更快。

維修和服務

維修和清潔

- ▶ **維修電動工具或換裝零、配件之前，務必從插座上拔出插頭。**
- ▶ **電動工具和通風口都必須保持清潔，這樣才能夠提高工作品質和安全性。**
- ▶ **在某些極端操作環境下，如果有可能請務必使用吸塵裝備。時常將通氣孔上累積的塵垢噴吹乾淨，並在前端加設漏電斷路器 (PRCD)。**加工金屬時電動工具內部可能堆積會導電的廢塵。這樣可能會影響電動工具的安全絕緣性能。

如果必須更換連接線，請務必交由 **Bosch** 或者經授權的 **Bosch** 電動工具顧客服務執行，以避免危害機器的安全性能。

小心地保存和使用配件。

顧客服務處和顧客諮詢中心

本公司顧客服務處負責回答有關本公司產品的維修、維護和備用零件的問題。以下的網頁中有分解圖和備用零件相關資料：www.bosch-pt.com
如果對本公司產品及其配件有任何疑問，博世應用諮詢小組很樂意為您提供協助。

當您需要諮詢或訂購備用零件時，請務必提供本產品型號銘牌上 10 位數的產品機號。

台灣

台灣羅伯特博世股份有限公司
建國北路一段90號6樓
台北市10491
電話: (02) 7734 2588
傳真: (02) 2516 1176
www.bosch-pt.com.tw

制造商地址:

Robert Bosch Power Tools GmbH
羅伯特·博世電動工具有限公司
70538 Stuttgart / GERMANY
70538 斯圖加特/ 德國

以下更多客戶服務處地址：

www.bosch-pt.com/serviceaddresses

廢棄物處理

必須以符合環保的方式，回收再利用損壞的機器、配件和廢棄的包裝材料。



不可以把電動工具丟入一般的家庭垃圾中。

ไทย

คำเตือนเพื่อความปลอดภัย

คำเตือนเพื่อความปลอดภัยทั่วไปในการใช้เครื่องมือไฟฟ้า

- ⚠ **คำเตือน** อ่านคำเตือนเพื่อความปลอดภัยและคำสั่งทั้งหมด การไม่ปฏิบัติตามคำเตือนและคำสั่งอาจเป็นสาเหตุให้ถูกไฟฟ้าดูด เกิดไฟไหม้ และ/หรือได้รับบาดเจ็บอย่างร้ายแรง

เก็บรักษาคำเตือนและคำสั่งทั้งหมดสำหรับเปิดอ่านในภายหลัง

คำว่า "เครื่องมือไฟฟ้า" ในคำเตือนหมายถึง เครื่องมือไฟฟ้าของท่านที่ทำงานด้วยพลังงานไฟฟ้าจากแหล่งจ่ายไฟหลัก (มีสายไฟฟ้า) และเครื่องมือไฟฟ้าที่ทำงานด้วยพลังงานไฟฟ้าจากแบตเตอรี่ (ไร้สาย)

ความปลอดภัยในสถานที่ทำงาน

- ▶ **รักษาสถานที่ทำงานให้สะอาดและมีไฟส่องสว่างดี**
สถานที่ที่มีมืดหรือกรงรังนำมาซึ่งอุบัติเหตุ
- ▶ **อย่าใช้เครื่องมือไฟฟ้าทำงานในสภาพบรรยากาศที่จุดติดไฟได้ เช่น ในที่ที่มีของเหลวไวไฟ ก๊าซ หรือฝุ่น**
เมื่อใช้เครื่องมือไฟฟ้าจะเกิดประกายไฟซึ่งอาจจุดฝุ่นหรือไอให้ลุกเป็นไฟได้
- ▶ **ขณะใช้เครื่องมือไฟฟ้าทำงาน ต้องกันเด็กและผู้ยืนดูให้ออกห่าง**
การหันเหความสนใจอาจทำให้ท่านขาดการควบคุมเครื่องได้

ความปลอดภัยเกี่ยวกับไฟฟ้า

- ▶ **ปลั๊กของเครื่องมือไฟฟ้าต้องเหมาะสมพอดีกับเต้าเสียบ**
อย่าตัดแปลงปลั๊กไม่ว่าในลักษณะใดๆ อย่างเด็ดขาด
อย่าใช้ปลั๊กพ่วงต่อใดๆ กับเครื่องมือไฟฟ้าที่มีสายดิน
ปลั๊กที่ไม่ตัดแปลงและเต้าเสียบที่เข้ากันช่วยลดความเสี่ยงจากการถูกไฟฟ้าดูด
- ▶ **หลีกเลี่ยงอย่าให้ร่างกายสัมผัสกับพื้นผิวที่ต่อสายดินหรือลงกราวด์ไว้ เช่น ท่อ เครื่องทำความร้อน เตา และตู้เย็น**
จะเสี่ยงอันตรายจากการถูกไฟฟ้าดูดมากขึ้นหากกระแสไฟฟ้าวิ่งผ่านร่างกายของท่านลงดิน
- ▶ **อย่าให้เครื่องมือไฟฟ้าถูกฝนหรืออยู่ในสภาพเปียกชื้น**
หากน้ำเข้าในเครื่องมือไฟฟ้า จะเพิ่มความเสี่ยงจากการถูกไฟฟ้าดูด

- ▶ อย่าใช้สายไฟฟ้าในทางที่ผิด อย่าใช้สายไฟฟ้าเพื่อยก ดึง หรือถอดปลั๊กเครื่องมือไฟฟ้า กันสายไฟฟ้าออก ห่างจากความร้อน น้ำมัน ขอบแหลมคม หรือชิ้นส่วนที่ เคลื่อนที่ สายไฟฟ้าที่ชำรุดหรือพันกันยุ่งเพิ่มความ เสี่ยงจากการถูกไฟฟ้าดูด
- ▶ เมื่อใช้เครื่องมือไฟฟ้าทางกลางแจ้ง ให้ใช้สายไฟ ต่อที่เหมาะสมสำหรับการใช้งานกลางแจ้ง การใช้สายไฟ ต่อที่เหมาะสมสำหรับงานกลางแจ้งช่วยลดอันตรายจาก การถูกไฟฟ้าดูด
- ▶ หากไม่สามารถหลีกเลี่ยงการใช้เครื่องมือไฟฟ้าทำงาน ในสถานที่เปียกชื้นได้ ให้ใช้สวิตช์ตัดวงจรเมื่อเกิดการรั่วไหลของไฟฟ้าจากสายดิน (RCD) การใช้สวิตช์ตัดวงจรเมื่อเกิดการรั่ว ไหลของไฟฟ้าจากสายดินช่วยลดความเสี่ยงต่อการถูกไฟฟ้ าดูด

ความปลอดภัยของบุคคล

- ▶ ท่านต้องอยู่ในสภาพเตรียมพร้อม ระวังระดับในสิ่งที่ ท่านกำลังทำอยู่ และมีสติขณะใช้เครื่องมือไฟฟ้า ทำงาน อย่าใช้เครื่องมือไฟฟ้าขณะที่ท่านกำลังเหนื่อย หรืออยู่ภายใต้การครอบงำของฤทธิ์ของยาเสพติด แอลกอฮอล์ และยา เมื่อใช้เครื่องมือไฟฟ้าทำงาน ในขั้นงานที่ท่านขาดความเอาใจใส่อาจทำให้บุคคลบาดเจ็บอย่างรุนแรงได้
- ▶ ใช้อุปกรณ์ปกป้องร่างกาย สวมแว่นตาป้องกันเสมอ อุปกรณ์ปกป้อง เช่น หนากากกันฝุ่น รองเทากันลื่น หมวกแข็ง หรือประคบหูกันเสียงดัง ที่เลือกใช้ตามความเหมาะสมกับสภาพการทำงาน สามารถลดอันตรายต่อบุคคลได้
- ▶ ป้องกันการติดเครื่องโดยไม่ตั้งใจ ตรวจสอบให้แน่ใจ ว่าสวิตช์อยู่ในตำแหน่งปิดก่อนเชื่อมต่อกับแหล่ง จ่ายไฟ และ/หรือเบรกเตอร์แพ็ค ยกหรือถือเครื่องมือ การถือเครื่องโดยใช้นิ้วหัวที่สวิตช์ หรือเสียบปลั๊ก ไฟฟ้าขณะสวิตช์เปิดอยู่ อาจนำไปสู่อุบัติเหตุที่ร้ายแรงได้
- ▶ นำเครื่องมือปรับแต่งหรือประแจปากคายนอกก่อนเปิด สวิตช์เครื่องมือไฟฟ้า เครื่องมือหรือประแจปาก คายนี้อยู่กับส่วนของเครื่องที่กำลังหมุนจะทำให้บุคคลบาดเจ็บได้
- ▶ อย่าเอื้อมไกลเกินไป ตั้งท้ายขึ้นที่มั่นคงและวางน้ำหนัก ให้สมดุลตลอดเวลา ในลักษณะนี้ท่านสามารถควบคุมเครื่องมือไฟฟ้าในสถานการณ์ที่ไม่คาดคิดได้ดีกว่า
- ▶ แต่งกายอย่างเหมาะสม อย่าใส่เสื้อผ้าหลวมหรือสวม เครื่องประดับ เข็ม เสื้อผ้า และถุงมือ ออกห่างจาก ชิ้นส่วนที่กำลังหมุน เสื้อผ้าหลวม เครื่องประดับ และผม ยาวอาจเข้าไปติดในส่วนของเครื่องที่กำลังหมุนได้

- ▶ หากเครื่องมือไฟฟ้ามีข้อเชื่อมต่อกับเครื่องดูดฝุ่นหรือ เครื่องเก็บผง ให้ตรวจสอบให้แน่ใจว่าได้เชื่อมต่อและ ใช้งานอย่างถูกต้อง การใช้อุปกรณ์ดูด ฝุ่นช่วยลดอันตรายที่เกิดจากฝุ่นได้

การใช้และการดูแลรักษาเครื่องมือไฟฟ้า

- ▶ อย่างสิ้นกำลังเครื่องมือไฟฟ้า ใช้เครื่องมือไฟฟ้าที่ถูก ต้องตรงตามลักษณะงานของท่าน เครื่องมือไฟฟ้าที่ถูก ต้องจะทำงานได้ดี กว่าและปลอดภัยกว่าในระดับสมรรถภาพที่ออกแบบไว้
- ▶ อย่าใช้เครื่องมือไฟฟ้าถ้าสวิตช์ไม่สามารถเปิดปิดได้ เครื่องมือไฟฟ้าที่ไม่สามารถควบคุมการเปิดปิดด้วยสวิตช์ได้ เป็นเครื่องมือ ไฟฟ้าที่ไม่ปลอดภัยและต้องส่งซ่อมแซม
- ▶ ก่อนปรับแต่งเครื่อง เปลี่ยนอุปกรณ์ประกอบ หรือเก็บ เครื่องมือไฟฟ้าเข้าที่ ต้องถอดปลั๊กไฟออกจากแหล่ง จ่ายไฟ และ/หรือถอดเบรกเตอร์แพ็คออกจากเครื่องมือ ไฟฟ้า มาตรการป้องกันเพื่อความปลอดภัยนี้ช่วยลดความ เสี่ยงจากการติดเครื่องโดยไม่ตั้งใจ
- ▶ เมื่อเลิกใช้งานเครื่องมือไฟฟ้า ให้เก็บเครื่องไว้ในที่ที่ เด็กหยิบไม่ถึง และไม่อนุญาตให้บุคคลที่ไม่คุ้นเคยกับ เครื่องมือไฟฟ้าเป็นชองอันตรายหากตกอยู่ในมือของผู้ ใช้ที่ไม่ได้รับการฝึกฝน
- ▶ บำรุงรักษาเครื่องมือไฟฟ้า ตรวจสอบชิ้นส่วนที่ เคลื่อนที่ว่าวางไม่ตรงแนวหรือติดขัดหรือไม่ ตรวจสอบหา การแตกหักของชิ้นส่วนและสภาพอื่นใดที่อาจมีผลต่อ การทำงานของเครื่องมือไฟฟ้า หากชำรุดต้องส่ง เครื่องมือไฟฟ้าไปซ่อมแซมก่อนใช้งาน อุบัติเหตุหลาย อย่างเกิดขึ้นเนื่องจากดูแลรักษาเครื่องไม่ดีพอ
- ▶ รักษาเครื่องมือตัดให้คมและสะอาด หากบำรุงรักษาเครื่องมือที่มีขอบตัดแหลมคมอย่างถูกต้อง จะสามารถตัดได้ลื่นไม่ติดขัดและควบคุมได้ง่ายกว่า
- ▶ ใช้เครื่องมือไฟฟ้า อุปกรณ์ประกอบ เครื่องมือ และอุปกร ณ์อื่นๆ ตรงตามคำแนะนำเหล่านี้ โดยคำนึงถึง เงื่อนไขการทำงานและงานที่จะทำ การใช้เครื่องมือ ไฟฟ้าทำงานที่ต่างไปจากวัตถุประสงค์การ ใช้งานของเครื่อง อาจนำไปสู่สถานการณ์ที่เป็นอันตรายได้

การบริการ

- ▶ ส่งเครื่องมือไฟฟ้าของท่านเข้ารับบริการจากช่าง ซ่อมที่มีคุณสมบัติเหมาะสม โดยใช้อะไหล่ที่เหมือน กันเท่านั้น ในลักษณะนี้ท่านจะแน่ใจได้ว่าเครื่อง มือไฟฟ้าอยู่ในสภาพที่ปลอดภัย

คำเตือนเพื่อความปลอดภัยสำหรับการใช้งานทั้งหมด

คำเตือนเพื่อความปลอดภัยทั่วไปสำหรับการเจียรหรือการแกะสลัก

- ▶ เครื่องมือไฟฟ้านี้มีวัตถุประสงค์เพื่อการใช้งานเป็นเครื่องเจียร หรือเครื่องแกะสลัก อ่านคำเตือนเพื่อความปลอดภัย คำแนะนำ ภาพประกอบ และข้อมูลจำเพาะทั้งหมดที่จัดส่งมาพร้อมกับเครื่องมือไฟฟ้า การไม่ปฏิบัติตามคำแนะนำทั้งหมดที่ระบุไว้ด้านล่างนี้อาจทำให้ถูกไฟฟ้าดูด เกิดไฟไหม้ และ/หรือได้รับบาดเจ็บอย่างร้ายแรง
- ▶ ไม่แนะนำให้ใช้เครื่องมือไฟฟ้านี้กับงานขัดกระดาษทราย ขัดด้วยแปรงลวด ขัดเงา หรือตัดออก หากใช้เครื่องมือทำงานที่ไม่ได้ถูกออกแบบมาสำหรับงานนั้นๆ อาจทำให้เกิดอันตรายและบาดเจ็บได้
- ▶ อย่าใช้อุปกรณ์ประกอบที่ผู้ผลิตไม่ได้แนะนำให้ใช้ และไม่ได้ออกแบบไว้ให้ใช้เฉพาะกับเครื่องมือไฟฟ้านี้ ด้วยเหตุนี้เพราะท่านสามารถต่ออุปกรณ์ประกอบเข้ากับเครื่องมือไฟฟ้าของท่านได้ ก็มีได้เป็นการรับรองว่าอุปกรณ์ประกอบจะทำงานได้อย่างปลอดภัย
- ▶ ความเร็วรอบกำหนดของอุปกรณ์เจียรต้องเท่ากับความเร็วรอบสูงสุดที่ระบุไว้บนเครื่องมือไฟฟ้าเป็นอย่างน้อย อุปกรณ์เจียรที่หมุนเร็วกว่าความเร็วรอบกำหนดของตัวเองอาจแตกและกระเด็นออกเป็นชิ้นๆ
- ▶ เส้นผ่าศูนย์กลางรอบนอกและความหนาของอุปกรณ์ประกอบของท่านต้องอยู่ในขีดความสามารถของเครื่องมือไฟฟ้าของท่าน ท่านจะไม่สามารถควบคุมอุปกรณ์ประกอบที่มีขนาดไม่ถูกต้องได้อย่างเพียงพอ
- ▶ ขนาดรูแกนของจาน ลูกยางขัดกระดาษทรายปลอดภัย และอุปกรณ์ประกอบอื่นใดต้องพอดีกับเพลลาหรือปลอกรัดก้านของเครื่องมือไฟฟ้า อุปกรณ์ประกอบที่ไม่เข้าคู่กับส่วนที่ใช้ยึดของเครื่องมือไฟฟ้า จะวิ่งไม่สมดุล สั่นตัวมาก และอาจทำให้สูญเสียการควบคุม
- ▶ ต้องเสียบค้ำแกนของจาน ลูกยางขัดกระดาษทราย ปลอดภัย คัดเตอร์ หรืออุปกรณ์ประกอบอื่นๆ เข้าในปลอกรัดก้านหรือหัวจับยึดจนสุด หากค้ำแกนถูกยึดไว้ไม่ดีพอ และ/หรือจานยื่นออกมามากเกินไป จานที่ติดตั้งอยู่อาจหลุดหลวมและตัดออกมาด้วยความเร็วสูง
- ▶ อย่าใช้อุปกรณ์ประกอบที่ชำรุด ตรวจสอบอุปกรณ์ประกอบก่อนใช้งานทุกครั้ง เช่น จานขัดให้ดูรอยบิ่น และรอยแตกร้าว ลูกยางขัดกระดาษทรายปลอดภัยให้ดูรอยแตกร้าว รอยฉีก หรือรอยสึกหรือที่มากเกินไป แปรงลวดให้ดูการโยกคลอนหรือการแตกหักของเส้นลวด

หากเครื่องมือไฟฟ้าหรืออุปกรณ์ประกอบตกลง ให้ตรวจสอบความเสียหายหรือติดตั้งอุปกรณ์ประกอบที่ไม่ชำรุด หลังจากตรวจสอบและติดตั้งอุปกรณ์ประกอบแล้ว ตัวท่านเองและบุคคลที่อยู่ใกล้เคียงต้องอยู่ห่างจากระนาบของอุปกรณ์ประกอบที่หมุน และปล่อยให้เครื่องมือไฟฟ้าเดินตัวเปล่าที่ความเร็วสูงสูดนานหนึ่งนาที ตามปกติอุปกรณ์ประกอบที่ชำรุดจะแตกออกเป็นชิ้นๆ ในช่วงเวลาทดสอบนี้

- ▶ สวมอุปกรณ์ป้องกันเฉพาะตัว ให้ใช้กระบังป้องกันหน้า แวนตาป้องกันลมและฝุ่น หรือแว่นตาป้องกันอันตรายโดยขึ้นอยู่กับลักษณะการทำงาน สวมหน้ากากกันฝุ่น ประคบหูกันเสียงดัง ถุงมือ และผ้ากันเปื้อนสำหรับช่างที่สามารถกันผงขัดหรือเศษชิ้นงานขนาดเล็กตามความเหมาะสม แวนตาป้องกันตาต้องสามารถหยุดเศษผงที่ปลิวว่อนที่เกิดจากการทำงานแบบต่างๆ ได้ หน้ากากกันฝุ่นหรืออุปกรณ์ป้องกันระบบหายใจต้องสามารถกรองอนุภาคที่เกิดจากการทำงานของท่านได้ การได้ยินเสียงดังมากเป็นเวลานานอาจทำให้ท่านสูญเสียการได้ยิน
- ▶ กันบุคคลที่อยู่ใกล้เคียงให้อยู่ในระยะปลอดภัยห่างจากบริเวณทำงาน บุคคลใดที่เขามายังบริเวณทำงานต้องสวมอุปกรณ์ป้องกันเฉพาะตัว เศษวัสดุชิ้นงานหรืออุปกรณ์ประกอบที่แตกหักอาจปลิวออกมาและทำให้ได้รับบาดเจ็บนอกพื้นที่ปฏิบัติงานโดยตรง
- ▶ เมื่อทำงานในบริเวณที่เครื่องมือตัดอาจสัมผัสสายไฟฟ้าที่ซ่อนอยู่หรือสายไฟฟ้าของตัวเครื่องเอง ต้องจับเครื่องมือไฟฟ้าตรงพื้นผิวจับที่หุ้มฉนวนเท่านั้น หากเครื่องมือตัดสัมผัสสายที่ “มีกระแสไฟฟ้า” ไหลผ่าน จะทำให้ชิ้นส่วนโลหะที่ไม่ได้หุ้มฉนวนของเครื่องมือไฟฟ้าเกิด “มีกระแสไฟฟ้า” ด้วย และส่งผลให้ผู้ใช้งานเครื่องถูกไฟฟ้าดูดได้
- ▶ ใช้มือทั้งสองข้างของท่านจับเครื่องมือให้แน่นในระหว่างเริ่มสตาร์ทเครื่องเสมอ ในขณะที่มอเตอร์กำลังเร่งให้ได้ความเร็วเต็มที่ กำลังสะท้อนจากแรงบิดอาจทำให้เครื่องมือสละบัดได้
- ▶ ถ้าเป็นไปได้ให้ใช้อุปกรณ์ยึดหนีบชิ้นงานไว้ ขณะใช้เครื่องทำงานอย่าจับชิ้นงานเล็กๆ ด้วยมือข้างหนึ่งและเครื่องด้วยมืออีกข้างหนึ่งอย่างเด็ดขาด เมื่อยึดหนีบชิ้นงานขนาดเล็กไว้ ท่านจะสามารถควบคุมเครื่องมือไฟฟ้าด้วยมือทั้งสองข้างไว้ตลอดรูปทรงกลม เช่น ก้านเดียว ท่อ หรือหลอด มีแนวโน้มที่จะกิ้งก้องไปในขณะถูกตัด และอาจทำให้เครื่องมือเกิดติดขัด หรือเหวี่ยงเข้าหาตัวท่านได้
- ▶ จับสายไฟฟ้าออกจากอุปกรณ์ประกอบที่กำลังหมุน หากท่านสูญเสียการควบคุม สายไฟฟ้าอาจถูกตัดหรือถูกดึง

รั้งไว้

และมือหรือแขนของท่านอาจถูกกระชากเข้าหาอุปกรณ์ประกอบที่กำลังหมุน

- ▶ **อย่าวางเครื่องมือไฟฟ้าลงบนพื้นจนกว่าอุปกรณ์ประกอบจะหยุดหมุนและนั่งอยู่กับที่แล้ว**
อุปกรณ์ประกอบที่หมุนอยู่อาจเฉี่ยวถูกพื้นและกระชากเครื่องมือไฟฟ้าออกจากการควบคุมของท่าน
- ▶ **หลังเปลี่ยนเครื่องมือหรือปรับเครื่อง ให้ตรวจสอบให้แน่ใจว่าได้ยึดนอตปลอกกรดักัน หัวจับดอก หรืออุปกรณ์ปรับอื่น ๆ ไว้อย่างแน่นหนาแล้ว** อุปกรณ์ปรับที่หลวมอาจเลื่อนออกอย่างไม่คาดคิด ทำให้สูญเสียการควบคุม ซึ่งส่วนที่หลวมและหมุนอยู่จะถูกเหวี่ยงออกมาอย่างรวดเร็ว
- ▶ **อย่าเปิดเครื่องมือไฟฟ้าทำงานขณะถือเครื่องไว้ข้างตัว**
เสื้อผ้าของท่านอาจเกี่ยวพันกับอุปกรณ์ประกอบที่กำลังหมุน โดยไม่ตั้งใจ และดูอุปกรณ์ประกอบเข้าหาร่างกายของท่านได้
- ▶ **ทำความสะอาดช่องระบายอากาศของเครื่องมือไฟฟ้าอย่างสม่ำเสมอ** พัดลมของมอเตอร์จะดูดผงฝุ่นเข้าไปในตัวเรือน และผงโลหะที่พอกสะสมกันมากเกินไปอาจทำให้เกิดอันตรายทางไฟฟ้าได้
- ▶ **อย่าใช้เครื่องมือไฟฟ้าทำงานใกล้วัตถุติดไฟได้**
ประกายไฟสามารถจุดวัสดุเหล่านี้ให้ลุกเป็นไฟ
- ▶ **อย่าใช้อุปกรณ์ประกอบที่ต้องใช้สารหล่อเย็นที่เป็นของเหลว** การใช้ น้ำหรือสารหล่อเย็นอื่น ๆ ที่เป็นของเหลวอาจทำให้กระแสไฟฟ้าวิ่งผ่านเข้าตัวจนเสียชีวิตหรือถูกไฟฟ้าดูดได้

การตีกลับและคำเตือนเกี่ยวเนื่อง

การตีกลับคือแรงสะท้อนกะทันหันที่เกิดจากงานขัด ปลอดภัย กระดาษทราย แปร่ง หรืออุปกรณ์ประกอบอื่นใดเกิดบิดหรือถูกเหนี่ยวรั้งขณะกำลังหมุนการบิดหรือการเหนี่ยว

รั้งทำให้อุปกรณ์ประกอบที่กำลังหมุนหยุดกะทันหัน ด้วยเหตุนี้เครื่องมือไฟฟ้าที่ขาดการควบคุมจึงถูกผลักไปในทิศทางตรงกันข้ามกับการหมุนของอุปกรณ์ประกอบ

ตัวอย่าง เช่น หากงานขัดถูกเหนี่ยวรั้งหรือบิดโดยชิ้นงานขอบของงานขัดที่จับอยู่ในจุดบิดอาจขูดเข้าไปในตัวของชิ้นงาน ทำให้งานขัดป็นออกหรือผลักตัวออกมา งานขัดอาจกระโดดเข้าหาหรือกระโดดออกจากผู้ใช้เครื่องมือ ทั้งนี้ขึ้นอยู่กับทิศทางเคลื่อนที่ของงานขัด ณ จุดบิดในสถานการณ์เช่นนี้งานขัดอาจแตกหักได้ด้วย

การตีกลับเป็นผลจากการใช้เครื่องมือไฟฟ้าในทางที่ผิด และ/หรือมีกระบวนการหรือเงื่อนไขการทำงานที่ไม่ถูกต้อง และสามารถหลีกเลี่ยงได้ด้วยการป้องกันไว้ก่อนอย่างถูกต้องตั้งระบุไว้ด้านล่างนี้

- ▶ **จับเครื่องมือไฟฟ้าให้แน่น และตั้งตัวและแขนของท่านให้สามารถต้านแรงตีกลับได้**
ใช้เครื่องมือที่สามารถควบคุมแรงตีกลับ หากได้ระมัดระวังอย่างถูกต้องไว้ก่อน
- ▶ **ใช้ความระมัดระวังเป็นพิเศษเมื่อทำงานบริเวณมุม ขอบแหลมคม ฯลฯ ป้อนกันไม่ให้อุปกรณ์ประกอบกระเด็นกลับจากชิ้นงานและติดขัด** มุม ขอบแหลมคม และการกระเด็นกลับมักจะเป็นอันตราย
รั้งอุปกรณ์ประกอบที่กำลังหมุน และทำให้สูญเสียการควบคุมหรือทำให้เกิดการตีกลับ
- ▶ **อย่าประกอบใบเลื่อยแบบมีฟัน ใบเลื่อยเหล่านี้**
นี้ทำให้เกิดการตีกลับและสูญเสียการควบคุมบ่อยครั้ง
- ▶ **ป้อนเครื่องมือเข้าในวัสดุในทิศทางเดียวกันกับที่ขอบตัดออกจากวัสดุเสมอ (ซึ่งเป็นทิศทางเดียวกันกับที่เศษสะเก็ดถูกเหวี่ยงออกมา)** การป้อนเครื่องมือผิดทิศทางจะทำให้ขอบตัดของเครื่องมือป้อนออกจากชิ้นงานและดึงเครื่องมือไปในทิศทางตรงกันข้าม
- ▶ **เมื่อใช้ตะไบโรตารี คัดเตอร์ความเร็วสูง หรือคัดเตอร์ทั้งสแตนคาร์ไบด์ ต้องยึดชิ้นงานให้แน่นหนาเสมอ** งานเหล่านี้จะติดขัดถ้าเอียงเล็กน้อยในร่อง และอาจตีกลับได้
เมื่อตะไบโรตารี คัดเตอร์ความเร็วสูง หรือคัดเตอร์ทั้งสแตนคาร์ไบด์ติดขัด อุปกรณ์เหล่านี้อาจป้อนออกจากร่องและท่านอาจสูญเสียการควบคุมเครื่อง

คำเตือนเพื่อความปลอดภัยเฉพาะสำหรับการเจียรและการตัดแบบขัด

- ▶ **ใช้เฉพาะจานประเภทที่แนะนำให้กับเครื่องมือไฟฟ้าของท่าน และสำหรับการใช้งานที่แนะนำเท่านั้น**
ตัวอย่าง: อย่าใช้จานช่างของจานตัดออกเพื่อเจียรชิ้นงาน จานตัดออกผลิตไว้เพื่อให้ใช้ตรงขอบนอกของงานขัดวัสดุ แรงดันข้างที่กดลงบนแผ่นงานอาจทำให้จานแตกละเอียดได้
- ▶ **สำหรับแท่งขัดทรงกรวยและทรงกระบอกแบบมีเกลียว ให้ใช้เฉพาะตามแกนลวดที่เข้ารูด ที่มีหนาเปลี่ยนแบบไม่ลดบ่า และมีขนาดและความยาวที่ถูกต้อง** ตามเกณฑ์ที่เหมาะสมสามารถลดการแตกหักได้
- ▶ **อย่า “บีบอัด” จานตัดออกหรือออกแรงกดมากเกินไป**
อย่าพยายามตัดลึกมากเกินไป การทำให้งานมีความเครียดมากเกินไปจะเพิ่มภาระแก่จานและอาจทำให้งานบิดหรือติดขัดในร่องตัดได้ง่ายขึ้น และมีความเป็นไปได้ที่จะเกิดการตีกลับหรืองานอาจแตกหักได้
- ▶ **อย่าให้มือของท่านอยู่ด้านหลังหรืออยู่ในแนวเดียวกับงานที่กำลังหมุน** ขณะที่งานเคลื่อนที่ออกจากมือของท่าน ณ จุดที่มีการใช้งาน การตีกลับที่อาจเกิดขึ้นได้อาจดันงานที่กำลังหมุนและเครื่องมือไฟฟ้าให้พุ่งเข้าหาท่านโดยตรง

- ▶ เมื่อจมน้ำ ถูกเหนี่ยวรั้ง หรือเมื่อการตัดถูกขัดจังหวะ ด้วยเหตุผลใดก็ตาม ให้มีดสวิทช์เครื่องมือไฟฟ้าและจับเครื่องมือไฟฟ้าค้างไว้จนจนหยุดสนิท อย่าพยายามเอาจมน้ำออกจากร่องตัดในขณะที่งานกำลังเคลื่อนที่อย่างเด็ดขาด มิฉะนั้นอาจทำให้เครื่องสะดุดได้ ตรวจสอบและแก้ไขเพื่อขจัดสาเหตุที่ทำให้จมน้ำหรือถูกเหนี่ยวรั้ง
- ▶ อย่าเริ่มตัดในชิ้นงานอีกครั้ง ปล่อยให้จมน้ำหยุดถึงความเร็วเต็มที่ก่อน จากนั้นจึงเริ่มตัดอีกครั้งอย่างระมัดระวัง จมน้ำอาจติดขัด กระโดดขึ้น หรือตีกลับ หากเปิดเครื่องมือไฟฟ้าทำงานอีกครั้งในชิ้นงาน
- ▶ หนุนแผ่นกระดานหรือชิ้นงานขนาดใหญ่เพื่อลดความเสี่ยงที่จมน้ำจะถูกหนีบและตีกลับ ชิ้นงานขนาดใหญ่มักจะห้อยหย่อนตามความถ่วงน้ำหนักของตัวเอง ต้องสอดแผ่นหนุนใต้ชิ้นงานทั้งสองด้าน ทั้งใกล้เส้นตัดและใกล้ขอบของชิ้นงาน
- ▶ ใช้ความระมัดระวังเป็นพิเศษเมื่อทำการ “ตัดแบบเปิดช่อง” เข้าไปในผนังที่มีอยู่หรือบริเวณจุดบอดอื่นๆ จมน้ำที่ยื่นออกมาอาจตัดเข้าไปในท่อแก๊สหรือท่อน้ำ สายไฟฟ้า หรือวัตถุที่อาจทำให้เกิดการตีกลับได้

คำแนะนำเพื่อความปลอดภัยเพิ่มเติม

- ▶ อย่าสัมผัสงานขัดจนกว่าจะเย็นลง ขณะทำงานจมน้ำจะร้อนมาก
- ▶ ใช้เครื่องตรวจจับที่เหมาะสมเพื่อตรวจสอบหาสายไฟฟ้าหรือท่อสารเคมีที่อาจซ่อนอยู่ในบริเวณทำงานหรือติดต่อบริษัทหรือหน่วยงานในพื้นที่เพื่อขอความช่วยเหลือ การสัมผัสกับสายไฟฟ้าอาจทำให้เกิดไฟไหม้หรือถูกไฟฟ้าดูด การทำให้อุปกรณ์เสียหายอาจทำให้เกิดระเบิด การเจาะเข้าในท่อน้ำทำให้ทรัพย์สินเสียหาย หรืออาจเป็นเหตุให้ถูกไฟฟ้าดูดได้
- ▶ ยึดชิ้นงานให้แน่น การยึดชิ้นงานด้วยเครื่องมือหนีบหรือแท่นจับจะมั่นคงกว่าการยึดด้วยมือ
- ▶ เครื่องมือไฟฟ้า ไม่เหมาะสำหรับการทำงานแบบอยู่กับที่ ไม่ควรยึดเครื่อง ตัวอย่าง เช่น ไขว้นปากกาจับชิ้นงานหรือยึดไว้บนโต๊ะทำงาน

ข้อมูลทางเทคนิค

เครื่องขัดคอตตรง		GG5 5000	GG5 5000 L
หมายเลขสินค้า		3 601 B23 0..	3 601 B24 1..
กำลังไฟฟ้าที่กัดด้านเข้า	วัตต์	500	550
อัตราความเร็วที่กัด	นาที ⁻¹	33000	33000
เส้นผ่าศูนย์กลางแหวนรัดก้าน สูงสุด	มม.	8	8
เส้นผ่าศูนย์กลางปลอกเพลลา	มม.	43.5	41

รายละเอียดผลิตภัณฑ์และข้อมูลจำเพาะ



อ่านคำเตือนเพื่อความปลอดภัยและคำแนะนำทั้งหมด การไม่ปฏิบัติตามคำเตือนและคำสั่งอาจเป็นสาเหตุให้ถูกไฟฟ้าดูด เกิดไฟไหม้ และ/หรือได้รับบาดเจ็บอย่างร้ายแรง

กรุณาดูภาพประกอบในส่วนหน้าของคู่มือการใช้งาน

ประโยชน์การใช้งานของเครื่อง

เครื่องมือไฟฟ้ามีไว้สำหรับการเจียรและขัดโลหะด้วยการกัดกร่อนคอนกรีต เช่นเดียวกับการทำงานกับวัสดุบนสายพานขัด

ส่วนประกอบที่แสดงภาพ

ลำดับเลขของส่วนประกอบผลิตภัณฑ์อ้างอิงส่วนประกอบของเครื่องที่แสดงในหน้าภาพประกอบ

- (1) แหวนรัดก้านเครื่องมือ
- (2) น็อตยึด
- (3) แกนเครื่อง
- (4) ปลอกแกน
- (5) สวิทช์เปิด-ปิด
- (6) ด้ามจับ (พื้นผิวจับหุ้มฉนวน)
- (7) ปลอกป้องกัน
- (8) หมุดยึด^{a)}
- (9) ประแจปากตาย ขนาด 17 มม.^{a)}
- (10) ระยะเวลาของก้านเพลลา L₀
- (11) ก้านติดตั้ง

a) อุปกรณ์ประกอบที่แสดงภาพหรืออธิบายไม่รวมอยู่ในการจัดส่งมาตรฐาน กรุณาดูอุปกรณ์ประกอบทั้งหมดในรายการแสดงอุปกรณ์ประกอบของเรา

เครื่องขัดคอตริง		GG5 5000	GG5 5000 L
ความหนาสูงสุดของเครื่องมือขัด	มม.	30	30
เส้นผ่าศูนย์กลางเครื่องมือขัด สูงสุด	มม.	25	25
ขนาดเปิดสูงสุดของก้านเพลลา L ₀	มม.	10	10
ความยาวสูงสุดของก้านเพลลา	มม.	35	35
น้ำหนักตามระเบียบการ EPTA-Procedure 01:2014	กก.	1.0	1.4
ระดับความปลอดภัย		☐/II	☐/II

ค่าที่ให้นี้ใช้ได้กับแรงดันไฟฟ้าอนินอล [U] 230 โวลต์ค่าเหล่านี้อาจเปลี่ยนแปลงไปสำหรับแรงดันไฟฟ้าที่แตกต่างกันและโมเดลที่ผลิตสำหรับเฉพาะประเทศ

การติดตั้ง

- ▶ **ดึงปลั๊กไฟออกจากเต้าเสียบก่อนปรับแต่งเครื่อง**
- ▶ **ต้องตรึงเครื่องมือที่ใช้อย่างน้อย 10 มม.** สามารถใช้ระยะเปิดของก้านเพลลา L₀ เพื่อกำหนดความเร็วสูงสุดที่อนุญาตของเครื่องมือได้จากข้อมูลที่ผู้ผลิตเครื่องมือ ซึ่งต้องไม่ต่ำกว่าความเร็วสูงสุดของเครื่องมือไฟฟ้า

ติดตั้งเครื่องมือขัด (ดูภาพประกอบ A)

(GG5 5000)

- ทำความสะอาดแกนขัด (3) และทุกชิ้นส่วนที่จะติดตั้ง
- หมุนแกนขัด (3) จนกระทั่งรูในแกนขัด (3) และร่องบนตัวเรือนอยู่ในแนวเดียวกัน สอดหมุดยึด (8) ผ่านช่องบนตัวเครื่องและรูในแกนขัด (3)
- คลายน็อตยึด (2) ด้วยประแจปากตาย (9) (ความกว้างของประแจ 17 มม.) โดยหมุนทวนเข็มนาฬิกา
- เสียบตัวขึงเครื่องขัดเข้าในแหวนรัดก้านเครื่องมือ (1) จนสุด
- ขันน็อตยึด (2) ด้วยประแจปากตาย (9) (ความกว้างของประแจ 17 มม.) ให้แน่นโดยหมุนตามเข็มนาฬิกา

เครื่องมือขัดต้องวิ่งเป็นวงกลมร่วมศูนย์กลางเดียวกันอย่างแท้จริงอย่าใช้วัสดุขัดที่เสื่อมแล้ว แต่ให้เปลี่ยนวัสดุขัดเหล่านี้ใหม่

- ▶ **อย่าขันแหวนรัดก้านเครื่องมือด้วยน็อตขึงเข้าจนแน่นโดยไม่มีวัสดุขัดใส่อยู่** มิฉะนั้นแหวนรัดอาจชำรุดได้

ติดตั้งเครื่องมือขัด (ดูภาพประกอบ B)

(GG5 5000 L)

- ทำความสะอาดแกนขัด (3) และทุกชิ้นส่วนที่จะติดตั้ง
- จับก้านที่แกนเครื่อง (3) ด้วยประแจปากตาย (9) พื้นราบสำหรับประแจให้แน่น
- คลายน็อตยึด (2) ด้วยประแจปากตาย (9) ตรงพื้นราบสำหรับประแจ โดยหมุนทวนเข็มนาฬิกา

- เสียบตัวขึงเครื่องขัดเข้าในแหวนรัดก้านเครื่องมือ (1) จนสุด
- ยึดแกนขัด (3) ด้วยประแจปากตาย (9) ให้แน่นและตรึงเครื่องมือด้วยประแจปากตาย (9) พื้นราบสำหรับประแจให้แน่นโดยหมุนตามเข็มนาฬิกา

เครื่องมือขัดต้องวิ่งเป็นวงกลมร่วมศูนย์กลางเดียวกันอย่างแท้จริงอย่าใช้วัสดุขัดที่เสื่อมแล้ว แต่ให้เปลี่ยนวัสดุขัดเหล่านี้ใหม่

- ▶ **อย่าขันแหวนรัดก้านเครื่องมือด้วยน็อตขึงเข้าจนแน่นโดยไม่มีวัสดุขัดใส่อยู่** มิฉะนั้นแหวนรัดอาจชำรุดได้
- ▶ **ใช้เฉพาะหมุดขัดที่มีเส้นผ่านศูนย์กลางก้านที่เหมาะสมเท่านั้น** หมุดขัดซึ่งมีเส้นผ่านศูนย์กลางเพลลาไม่ตรงกับที่จับเครื่องมือไฟฟ้า (ดู “ข้อมูลทางเทคนิค”) จะไม่สามารถจับได้อย่างถูกต้องและจะทำให้แหวนรัดก้านเครื่องมือเสียหายได้

การดูแล/ขีเสื่อ

ฝุ่นที่ได้จากวัสดุ เช่น เคลือบผิวที่มีสารตะกั่ว ไม้บางประเภท แร่ธาตุ และโลหะ อาจเป็นอันตรายต่อสุขภาพ การสัมผัสหรือการหายใจเอาฝุ่นเข้าไปอาจทำให้เกิดปฏิกิริยาแพ้ฝุ่น และ/หรือนำมาซึ่งโรคติดเชื้อระบบหายใจแก่ผู้ใช้เครื่องหรือผู้ที่ยืนอยู่ใกล้เคียง

ฝุ่นบางประเภท เช่น ฝุ่นไม้โอ๊ก หรือไม้บีช นับเป็นสารที่ทำให้เกิดมะเร็ง โดยเฉพาะอย่างยิ่งเมื่อผสมกับสารเติมแต่งเพื่อบำบัดไม้ (โครเมต ผลิตภัณฑ์รักษาเนื้อไม้) สำหรับวัสดุที่มีแอสเบสทอลต้องให้ผู้เชี่ยวชาญทำงานเท่านั้น

- จัดสถานที่ทำงานให้มีการระบายอากาศที่ดี
- ขอแนะนำให้สวมหน้ากากป้องกันการติดเชื้อที่มีระดับ-ใส่กรอง P2

ปฏิบัติตามกฎข้อบังคับสำคัญอื่นๆ ที่เกี่ยวกับวัสดุซึ่งงานที่บังคับใช้ในประเทศของท่าน

- ▶ **ป้องกันการสะสมของฝุ่นในสถานที่ทำงาน**
ฝุ่นสามารถถูกใหม่อย่างง่ายดาย

การปฏิบัติงาน

การเริ่มต้นปฏิบัติงาน

- ▶ ให้สังเกตแรงดันไฟฟ้า! แรงดันไฟฟ้าจากแหล่งจ่ายไฟฟ้าต้องมีค่าตรงกับค่าแรงดันไฟฟ้าที่ระบุไว้บนแผ่นป้ายติดเครื่อง เครื่องมือไฟฟ้าที่มีเครื่องหมาย 230 โวลต์ สามารถใช้งานกับ 220 โวลต์ ได้ด้วย
- ▶ ก่อนใช้งานทุกครั้งให้ตรวจสอบว่า แหวนรัดกันเครื่องมือ (1) และน็อตยึด (2) ไม่มีความเสียหายที่มองเห็นได้

การเปิด-ปิดเครื่อง

- เมื่อต้องการให้เครื่องมือไฟฟ้าเริ่มต้นทำงาน ให้ดันสวิตช์เปิด-ปิด (5) ไปข้างหน้า
- เมื่อต้องการล็อคสวิตช์เปิด-ปิด (5) ให้กดสวิตช์เปิด-ปิด (5) ลงตรงส่วนหน้าจนเข้าล็อค
- เมื่อต้องการปิดสวิตช์เครื่องมือไฟฟ้า ให้ปล่อยนิ้วจากสวิตช์เปิด-ปิด (5) หรือในกรณีที่มีสวิตช์ถูกล็อคอยู่ ให้กดตรงส่วนท้ายของสวิตช์เปิด-ปิด (5) ลงสั้นๆ และปล่อยนิ้ว

ข้อแนะนำในการทำงาน

- ▶ ดึงปลั๊กไฟออกจากเต้าเสียบก่อนปรับแต่งเครื่อง
- ▶ อย่าใช้งานเครื่องมือไฟฟ้าหนักเกินไป ไปจนเครื่องหยุดชะงัก
- ▶ หลังใช้งานเครื่องมือไฟฟ้าอย่างหนัก ต้องปล่อยเครื่องให้วิ่งตัวเปล่าต่อเป็นเวลาสองสามนาทีเพื่อให้เครื่องมือเย็นลง
- ▶ วัสดุขี้จะร้อนมากในขณะที่ใช้งาน อย่าสัมผัสวัสดุจนกว่าจะเย็นลง
- ▶ ป้องกันเครื่องมือขูดไม่ให้กระแทก เคลื่อนล้อขูดไปมาโดยใช้แรงกดมากๆ เพื่อให้ได้ผลลัพธ์ที่ดีที่สุด หากใช้แรงกดมากเกินไปจะส่งผลต่อการลดประสิทธิภาพของเครื่องมือไฟฟ้าและนำไปสู่การสึกหรอของเครื่องมือขูดเร็วยิ่งขึ้น

การบำรุงรักษาและการบริการ

การบำรุงรักษาและการทำความสะอาด

- ▶ ดึงปลั๊กไฟออกจากเต้าเสียบก่อนปรับแต่งเครื่อง
- ▶ เพื่อให้ทำงานได้อย่างถูกต้องและปลอดภัย ต้องรักษาเครื่องและช่องระบายอากาศให้สะอาดอยู่เสมอ

- ▶ หากใช้เครื่องทำงานหนัก ให้ใช้อุปกรณ์ดูดฝุ่นออกเท่าที่จะทำได้เสมอ เป่าช่องระบายอากาศเป็นประจำและติดตั้งเครื่องตัดไฟรั่ว (RCD) เมื่อทำงานกับโลหะ ฝุ่นซึ่งมีคุณสมบัตินำความร้อนและกระแสไฟฟ้าอาจจะสะสมอยู่ข้างในเครื่องมือไฟฟ้า ฉนวนป้องกันทั้งหมดของเครื่องมือไฟฟ้าอาจได้รับผลเสียหากจำเป็นต้องเปลี่ยนสายไฟฟ้า ต้องส่งเครื่องให้ Bosch หรือศูนย์บริการหลังการขายที่ได้รับมอบหมายสำหรับเครื่องมือไฟฟ้า Bosch เปลี่ยนให้ ทั้งนี้เพื่อหลีกเลี่ยงอันตราย กรุณาเก็บรักษาและจับถืออุปกรณ์ประกอบอย่างระมัดระวัง

การบริการหลังการขายและการให้คำปรึกษาการใช้งาน

ศูนย์บริการหลังการขายของเรายินดีตอบคำถามของท่านที่เกี่ยวกับการบำรุงรักษาและการซ่อมแซมผลิตภัณฑ์รวมทั้งเรื่องอะไหล่ ภาพเขียนแบบการประกอบและข้อมูลเกี่ยวกับอะไหล่ กรุณาดูใน: www.bosch-pt.com ที่มืองที่ปรึกษาของ บอช ยินดีให้ข้อมูลเกี่ยวกับผลิตภัณฑ์ของเราและอุปกรณ์ประกอบต่างๆ

เมื่อต้องการสอบถามและสั่งซื้ออะไหล่ กรุณาแจ้งหมายเลขสินค้า 10 หลักบนแผ่นป้ายรุ่นของผลิตภัณฑ์ทุกครั้ง

ไทย

ไทย บริษัท โรเบิร์ต บอช จำกัด
 เอพวยไอ เซ็นเตอร์ อาคาร 1 ชั้น 5
 เลขที่ 2525 ถนนพระราม 4
 แขวงคลองเตย เขตคลองเตย กรุงเทพฯ 10110
 โทร: +66 2012 8888
 แฟกซ์: +66 2064 5800
www.bosch.co.th
 ศูนย์บริการซ่อมและฝึกอบรม บอช
 อาคาร ลานชาลาทาวเวอร์ ชั้น G ห้องเลขที่ 2
 บ้านเลขที่ 10/11 หมู่ 16
 ถนนศรีนครินทร์ ตำบลบางแก้ว อำเภอบางพลี
 จังหวัดสมุทรปราการ 10540
 ประเทศไทย
 โทรศัพท์ 02 7587555
 โทรสาร 02 7587525

สามารถที่อยู่ศูนย์บริการอื่นๆ ได้ที่:

www.bosch-pt.com/serviceaddresses

การกำจัดขยะ

เครื่องมือไฟฟ้า อุปกรณ์ประกอบ และที่บ่อ ต้องนำไปแยกประเภทวัสดุเพื่อการรีไซเคิลที่เป็นมิตรต่อสิ่งแวดล้อม



อย่าทิ้งเครื่องมือไฟฟ้าลงในขยะครัวเรือน!

Bahasa Indonesia

Petunjuk Keselamatan

Petunjuk Keselamatan Umum Perkakas Listrik

⚠ PERINGATAN Bacalah semua petunjuk keselamatan dan semua petunjuk penggunaan. Kesalahan dalam menjalankan petunjuk keselamatan dan petunjuk penggunaan dapat mengakibatkan sengatan listrik, kebakaran, dan/atau cedera serius.

Simpanlah semua petunjuk keselamatan dan petunjuk penggunaan untuk acuan di masa mendatang.

Istilah "perkakas listrik" dalam petunjuk keselamatan mengacu pada perkakas listrik yang dioperasikan dengan listrik (menggunakan kabel) atau perkakas listrik yang dioperasikan dengan baterai (tanpa kabel).

Keamanan tempat kerja

- ▶ **Jaga kebersihan dan pencahayaan area kerja.** Area yang berantakan atau gelap dapat memicu kecelakaan.
- ▶ **Jangan mengoperasikan perkakas listrik di lingkungan yang dapat memicu ledakan, seperti adanya cairan, gas, atau debu yang mudah terbakar.** Perkakas listrik dapat memancarkan bunga api yang kemudian mengakibatkan debu atau uap terbakar.
- ▶ **Jauhkan dari jangkauan anak-anak dan pengamat saat mengoperasikan perkakas listrik.** Gangguan dapat menyebabkan hilangnya kendali.

Keamanan listrik

- ▶ **Steker perkakas listrik harus sesuai dengan stopkontak. Jangan pernah memodifikasi steker. Jangan menggunakan steker adaptor bersama dengan perkakas listrik yang terhubung dengan sistem grounding.** Steker yang tidak dimodifikasi dan stopkontak yang cocok akan mengurangi risiko sengatan listrik.
- ▶ **Hindari kontak badan dengan permukaan yang terhubung dengan sistem grounding, seperti pipa, radiator, kompor, dan lemari es.** Terdapat peningkatan risiko terjadinya sengatan listrik jika badan Anda terhubung dengan sistem grounding.
- ▶ **Perkakas listrik tidak boleh terpapar hujan atau basah.** Air yang masuk ke dalam perkakas listrik menambah risiko terjadinya sengatan listrik.
- ▶ **Jangan menyalahgunakan kabel. Jangan gunakan kabel untuk membawa, menarik, atau melepas steker perkakas listrik. Jauhkan kabel dari panas, minyak,**

tepi yang tajam, atau komponen yang bergerak. Kabel listrik yang rusak atau tersangkut menambah risiko terjadinya sengatan listrik.

- ▶ **Saat mengoperasikan perkakas listrik di luar ruangan, gunakan kabel ekstensi yang sesuai untuk penggunaan di luar ruangan.** Penggunaan kabel yang cocok untuk pemakaian di luar ruangan mengurangi risiko terjadinya sengatan listrik.
- ▶ **Jika perkakas listrik memang harus dioperasikan di tempat yang lembap, gunakan pemutus arus listrik residu (RCD).** Penggunaan RCD akan mengurangi risiko terjadinya sengatan listrik.

Keselamatan personel

- ▶ **Tetap waspada, perhatikan aktivitas yang sedang dikerjakan, dan gunakan akal sehat saat mengoperasikan perkakas listrik. Jangan gunakan perkakas listrik saat mengalami kelelahan atau di bawah pengaruh narkoba, alkohol, atau obat-obatan.** Jika perkakas listrik dioperasikan dengan daya konsentrasi yang rendah, hal tersebut dapat menyebabkan cedera serius.
- ▶ **Gunakan peralatan pelindung diri. Selalu kenakan pelindung mata.** Dengan memakai pakaian dan sarana pelindung, misalnya masker anti debu, sepatu tertutup yang tidak licin, helm pelindung, atau pemalut telinga sesuai dengan pekerjaan yang dilakukan, hal tersebut dapat mengurangi risiko cedera.
- ▶ **Hindari start yang tidak disengaja. Pastikan switch berada di posisi off sebelum perkakas listrik dihubungkan ke sumber daya listrik dan/atau baterai, diangkat, atau dibawa.** Membawa perkakas listrik dengan jari menempel pada tombol atau perkakas listrik dalam keadaan hidup dapat memicu kecelakaan.
- ▶ **Singkirkan kunci penyetel atau kunci pas sebelum menghidupkan perkakas listrik.** Perkakas atau kunci pas yang masih menempel pada komponen perkakas listrik yang berputar dapat menyebabkan cedera.
- ▶ **Jangan melampaui batas. Berdirilah secara mantap dan selalu jaga keseimbangan.** Hal ini akan memberikan kontrol yang lebih baik terhadap perkakas listrik pada situasi yang tak terduga.
- ▶ **Kenakan pakaian dengan wajar. Jangan mengenakan perhiasan atau pakaian yang longgar. Jauhkan rambut, pakaian, dan sarung tangan dari bagian-bagian perkakas yang bergerak.** Pakaian yang longgar, rambut panjang atau perhiasan dapat tersangkut dalam bagian perkakas yang bergerak.
- ▶ **Jika disediakan perangkat untuk sambungan pengisapan debu dan alat pengumpulan, pastikan perangkat tersebut terhubung dan digunakan dengan benar.** Penggunaan alat pengumpulan dapat mengurangi bahaya yang disebabkan oleh debu.

Penggunaan dan pemeliharaan perkakas listrik

- ▶ **Jangan memaksakan perkakas listrik. Gunakan perkakas listrik yang sesuai untuk pekerjaan yang**

dilakukan. Perkakas listrik yang sesuai akan bekerja dengan lebih baik dan aman sesuai tujuan penggunaan.

- ▶ **Jangan gunakan perkakas listrik dengan switch yang tidak dapat dioperasikan.** Perkakas listrik yang switchnya tidak berfungsi dapat menimbulkan bahaya dan harus diperbaiki.
- ▶ **Tariklah steker dari stopkontak dan/atau keluarkan baterai sebelum melakukan penyetelan pada perkakas listrik, penggantian aksesoris atau sebelum menyimpan perkakas listrik.** Tindakan keselamatan kerja ini mengurangi risiko perkakas listrik beroperasi secara tiba-tiba.
- ▶ **Jauhkan dan simpan perkakas listrik dari jangkauan anak-anak dan jangan biarkan orang-orang yang tidak mengetahui cara menggunakan perkakas listrik, mengoperasikan perkakas listrik.** Perkakas listrik dapat membahayakan jika digunakan oleh orang-orang yang tidak terlatih.
- ▶ **Rawatlah perkakas listrik. Periksa komponen yang bergerak apabila tidak lurus atau terikat, kerusakan komponen, dan kondisi lain yang dapat mengganggu pengoperasian perkakas listrik. Apabila rusak, perbaiki perkakas listrik sebelum digunakan.** Banyak kecelakaan terjadi karena perkakas listrik tidak dirawat dengan seksama.
- ▶ **Jaga ketajaman dan kebersihan alat.** Alat pemotong dengan pisau pemotong yang tajam dan dirawat dengan baik tidak akan mudah tersangkut dan lebih mudah dikendalikan.
- ▶ **Gunakan perkakas listrik, aksesoris, dan komponen perkakas dll sesuai dengan petunjuk ini, dengan mempertimbangkan kondisi kerja dan pekerjaan yang akan dilakukan.** Penggunaan perkakas listrik untuk tujuan berbeda dari fungsinya dapat menyebabkan situasi yang berbahaya.

Servis

- ▶ **Minta teknisi berkualifikasi untuk menyervis perkakas listrik dengan hanya menggunakan suku cadang yang identik.** Dengan demikian, hal ini akan memastikan keamanan perkakas listrik.

Petunjuk keselamatan untuk semua penggunaan

Petunjuk keselamatan umum untuk menggerinda atau memahat

- ▶ **Perkakas listrik ini dirancang untuk menggerinda atau memahat. Baca semua peringatan, petunjuk, ilustrasi dan spesifikasi keselamatan yang diberikan bersama perkakas listrik ini.** Kesalahan dalam menjalankan petunjuk di bawah ini dapat mengakibatkan sengatan listrik, kebakaran dan/atau cedera serius.
- ▶ **Pekerjaan seperti mengampelas, menyikat, memoles, atau memotong tidak dianjurkan untuk dikerjakan dengan perkakas listrik ini.** Penggunaan perkakas listrik yang tidak sesuai dengan yang dianjurkan dapat menimbulkan risiko cedera.

- ▶ **Jangan gunakan aksesoris yang tidak dirancang secara khusus dan dianjurkan oleh produsen perkakas.** Meski aksesoris dapat dipasang pada perkakas listrik, hal ini tidak menjamin keamanan pengoperasian alat.
- ▶ **Ukuran kecepatan aksesoris gerinda setidaknya harus sama dengan kecepatan maksimum yang tertera pada perkakas listrik.** Aksesoris gerinda yang beroperasi lebih cepat dari ukuran kecepatan yang tertera dapat rusak dan terlepas.
- ▶ **Diameter dan ketebalan luar aksesoris harus dalam kapasitas perkakas listrik.** Aksesoris yang ukurannya salah tidak dapat dikendalikan keamanannya.
- ▶ **Ukuran poros cakram, tabung pengampelasan maupun aksesoris lainnya harus terpasang ke spindel atau collet perkakas listrik dengan sesuai.** Aksesoris yang tidak sesuai dengan perangkat keras yang terpasang pada perkakas listrik akan kehilangan keseimbangan, bergetar terlalu keras dan kehilangan kendali.
- ▶ **Cakram yang terpasang mandrel, tabung pengampelasan, alat pemotong maupun aksesoris lainnya harus benar-benar terpasang ke dalam collet atau chuck.** Jika mandrel tidak terpasang dengan benar dan/atau cakram terlalu menonjol ke luar, cakram yang terpasang dapat menjadi longgar dan terlepas saat kecepatan tinggi.
- ▶ **Jangan gunakan aksesoris yang sudah rusak. Sebelum menggunakan, periksa aksesoris, seperti cakram abrasif dari kepingan dan keretakan, tabung pengampelasan dari keretakan, keausan atau penggunaan berlebihan, sikat kawat yang kendur atau kabel yang retak. Jika perkakas listrik atau aksesoris terjatuh, periksa perkakas dari kerusakan atau pasang aksesoris yang tidak rusak. Setelah memeriksa dan memasang aksesoris, jaga jarak Anda dari pengotak aksesoris yang berputar dan hidupkan perkakas dengan kecepatan maksimum tanpa beban selama satu menit.** Aksesoris yang rusak biasanya akan hancur dalam waktu uji ini.
- ▶ **Kenakan alat pelindung. Tergantung pada pemakaian, gunakan pelindung wajah, kaca mata pelindung, atau kaca mata keamanan. Kenakan masker debu, pelindung pendengaran, sarung tangan dan pakaian kerja yang mampu melindungi dari material kecil atau kepingan benda kerja.** Pelindung mata harus mampu melindungi dari puing-puing yang terbang selama pemakaian. Masker debu atau respirator harus mampu menyaring partikel yang dihasilkan saat pemakaian perkakas. Pemakaian terlalu lama hingga menimbulkan kebisingan yang sangat tinggi dapat menimbulkan kehilangan pendengaran.
- ▶ **Hendaklah pengamat memberi jarak aman dengan area kerja. Siapa saja yang memasuki area kerja harus memakai alat pelindung.** Bagian dari alat kerja atau aksesoris yang rusak dapat terlempar dan menyebabkan cedera di luar area langsung pengoperasian.
- ▶ **Pegang perkakas listrik hanya pada permukaan gagang isolator saat digunakan, karena aksesoris**

pemotong dapat saja bersentuhan dengan kabel yang tidak terlihat atau kabelnya sendiri. Aksesori pemotong yang bersentuhan dengan kabel yang dialiri listrik dapat menyebabkan terbukanya bagian logam dari alat yang dialiri listrik sehingga berisiko mengakibatkan sengatan listrik pada operator.

- ▶ **Pegang selalu alat dengan erat menggunakan tangan selama start-up.** Torsi reaksi pada mesin yang terjadi saat berakselerasi ke kecepatan penuh dapat menyebabkan perkakas terpelintir.
- ▶ **Gunakan penjepit untuk menopang benda kerja kapan pun secara praktis. Jangan pernah memegang benda kerja yang kecil dengan satu tangan dan perkakas dengan tangan satunya selama digunakan.** Dengan menjepit benda kerja yang kecil, kedua tangan Anda dapat digunakan untuk mengendalikan perkakas. Bahan bulat seperti tongkat dowel, pipa, atau tabung cenderung dapat menggelinding saat sedang dipotong dan dapat menyebabkan mata pisau tersangkut atau terpelintir ke arah pengguna.
- ▶ **Jauhkan kabel dari aksesori yang berputar.** Jika Anda kehilangan kendali, kabel dapat terpotong atau tersangkut dan tangan atau lengan anda dapat tertarik ke dalam aksesori yang sedang berputar.
- ▶ **Jangan pernah letakkan perkakas listrik sebelum aksesori telah berhenti sepenuhnya.** Aksesori yang berputar dapat menabrak permukaan dan perkakas lepas dari kendali Anda.
- ▶ **Setelah mengganti mata pisau atau melakukan penyetelan, pastikan mur collet, chuck, atau perangkat penyetelan lainnya telah dikencangkan dengan aman.** Perangkat yang disetel dengan longgar dapat bergeser dengan tiba-tiba, sehingga dapat menyebabkan kehilangan kendali dan komponen yang berputar namun longgar akan terlempar hingga membahayakan pengguna.
- ▶ **Jangan menghidupkan perkakas listrik dengan membawanya ke samping Anda.** Kontak tidak sengaja dengan aksesori yang berputar dapat merobek pakaian, menarik aksesori ke tubuh Anda.
- ▶ **Bersihkan ventilasi udara pada perkakas listrik secara berkala.** Kipas motor akan menyerap debu ke dalam housing dan serbuk logam yang terlalu banyak terkumpul dapat menyebabkan bahaya listrik.
- ▶ **Jangan gunakan perkakas listrik ini berdekatan dengan material yang mudah terbakar.** Percikan api dapat membakar material-material tersebut.
- ▶ **Jangan gunakan aksesori yang memakai pendingin cair.** Menggunakan air atau pendingin cair lainnya dapat menyebabkan sengatan atau kejutan listrik.

Sentakan dan peringatan terkait

Sentakan merupakan reaksi tiba-tiba pada cakram yang berputar, terjepit atau tersangkut, pita ampelas, sikat atau aksesori lainnya. Cakram yang terjepit atau tersangkut menyebabkan aksesori yang berputar akan berhenti mendadak dan menyebabkan perkakas yang tak terkendali berputar ke arah sebaliknya dari putaran aksesori.

Sebagai contoh, jika sebuah cakram abrasif tersangkut atau terjepit benda kerja, tepi cakram yang masuk ke titik jepit dapat masuk ke dalam permukaan material yang menyebabkan cakram naik atau terlempar ke luar. Cakram dapat terlempar menjauh maupun ke arah operator, bergantung pada arah gerakan cakram pada titik jepitan. Cakram abrasif juga dapat rusak karena hal-hal ini.

Sentakan merupakan akibat dari penggunaan yang salah dari perkakas listrik ini dan/atau prosedur atau syarat pengoperasian atau syarat-syarat penggunaan yang tidak tepat, namun dapat dihindari dengan melakukan tindakan pencegahan yang tepat seperti yang diberikan di bawah ini.

- ▶ **Pegang gagang perkakas listrik dan posisikan tubuh dan lengan Anda agar dapat menahan daya sentakan.** Operator dapat mengendalikan gaya sentakan, apabila dilakukan tindakan pencegahan yang benar.
- ▶ **Lakukan dengan hati-hati saat bekerja untuk bagian sudut, tepi yang tajam, dll. Hindarkan aksesori dari risiko terlempar atau tersangkut.** Bagian sudut, tepi yang tajam atau melingkar berpotensi membuat aksesori yang berputar tersangkut dan menimbulkan hilangnya kendali atau sentakan.
- ▶ **Jangan memasang gergaji bergigi.** Jenis pisau tersebut dapat menimbulkan sentakan dan kehilangan kendali.
- ▶ **Selalu masukkan mata pisau ke dalam bahan ke arah yang sama dengan ujung pemotongan keluar dari bahan (arah yang sama saat kepingan dilemparkan).** Memasukkan perkakas ke arah yang salah menyebabkan ujung pemotongan pada mata pisau akan mencuat naik pada alat kerja dan menarik perkakas ke arah feed tersebut.
- ▶ **Saat menggunakan kikir putar, pemotong berkecepatan tinggi atau pemotong tungsten carbide, selalu jepit alat kerja dengan aman.** Cakram ini akan mencengkeram apabila dimiringkan sedikit ke lekukan, serta dapat tersentak. Apabila kikir putar, pemotong berkecepatan tinggi, atau pemotong tungsten carbide mencengkeram, maka benda-benda dapat terpelintir dari lekukan dan pengguna dapat kehilangan kendali perkakas.

Petunjuk keselamatan khusus untuk menggerinda dan memotong abrasif

- ▶ **Gunakan jenis cakram yang direkomendasikan oleh perkakas listrik Anda atau hanya untuk pengaplikasian yang disarankan. Misalnya: jangan menggerinda dengan sisi cakram pemotong.** Cakram pemotong abrasif digunakan untuk menggerinda bagian tepi, gaya di sisi cakram dapat menyebabkan cakram pecah.
- ▶ **Untuk cone dan plug abrasif berulir, gunakan hanya mandrel cakram yang tidak rusak dengan shoulder flange yang ukuran dan panjangnya sesuai.** Mandrel yang sesuai akan mengurangi kemungkinan kerusakan.
- ▶ **Jangan "menyumbat" cakram pemotong atau menggunakan tekanan yang terlalu tinggi. Jangan memotong terlalu dalam.** Tekanan yang terlalu tinggi pada cakram akan meningkatkan beban dan kerentanan

akan terpelintir atau tersangkutnya cakram dalam memotong, dan kemungkinan terjadinya sentakan atau kerusakan cakram.

- ▶ **Jangan posisikan tangan Anda di belakang dan sejajar dengan cakram yang berputar.** Ketika cakram, pada saat digunakan, bergerak menjauh dari tangan Anda, sentakan dapat mendorong cakram yang berputar dan perkakas secara langsung ke arah Anda.
- ▶ **Ketika cakram terjepit, tersangkut atau ketika pemotongan terhenti oleh suatu sebab, matikan perkakas dan pegang perkakas tanpa gerakan hingga perkakas benar-benar mati. Jangan pernah mencoba melepas cakram pemotong ketika cakram sedang berputar. Jika tidak, dapat terjadi sentakan.** Periksa dan lakukan reparasi untuk mengatasi penyebab cakram terjepit atau tersangkut.
- ▶ **Jangan melanjutkan pemotongan saat perkakas berada dalam benda kerja. Biarkan cakram berputar dengan kecepatan penuh dan lanjutkan memotong dengan hati-hati.** Cakram dapat terbelit, maju, atau mundur jika perkakas listrik dihidupkan kembali dalam benda kerja.
- ▶ **Pelat penyangga atau benda kerja yang berukuran sangat besar digunakan untuk mengurangi risiko cakram tersangkut atau mengalami sentakan.** Benda kerja yang besar cenderung akan merosot akibat besarnya beban. Penyangga harus ditempatkan di bawah benda kerja dekat dengan garis potong dan dekat tepi benda kerja pada kedua sisi cakram.
- ▶ **Lakukan dengan hati-hati saat membuat potongan dalam dinding (pocket cut) atau area yang sulit dijangkau lainnya.** Cakram yang menonjol dapat memotong pipa gas atau air, kabel listrik, atau benda yang dapat menimbulkan sentakan.

Petunjuk Keselamatan tambahan

- ▶ **Jangan menyentuh cakram gerinda sebelum cakram menjadi dingin.** Piringan-piringan ini menjadi sangat panas selama penggunaannya.
- ▶ **Gunakanlah alat detektor logam yang cocok untuk mencari kabel dan pipa yang tidak terlihat atau hubungi perusahaan pengadaan setempat.** Sentuhan dengan kabel-kabel listrik dapat mengakibatkan api dan kontak listrik. Pipa gas yang dirusak dapat mengakibatkan ledakan. Pipa air yang dirusak mengakibatkan kerusakan barang-barang atau dapat mengakibatkan kontak listrik.

- ▶ **Gunakan alat kerja dengan aman.** Benda yang ditahan dalam alat pemegang atau bais lebih aman daripada benda yang dipegang dengan tangan.
- ▶ **Perkakas listrik ini tidak sesuai untuk pengoperasian stasioner.** Perkakas listrik tidak boleh dipasang ke ragum atau dikendalikan ke meja kerja.

Spesifikasi produk dan performa



Bacalah semua petunjuk keselamatan dan petunjuk penggunaan. Kesalahan dalam menjalankan petunjuk keselamatan dan petunjuk penggunaan dapat mengakibatkan kontak listrik, kebakaran, dan/atau luka-luka

yang berat.

Perhatikan ilustrasi yang terdapat pada sisi sampul panduan pengoperasian.

Tujuan penggunaan

Perkakas listrik ini cocok untuk menggerinda dan meratakan tepian bahan logam dengan menggunakan mata gerinda korundum serta untuk pekerjaan dengan perkakas pita gerinda.

Ilustrasi komponen

Nomor-nomor dari bagian-bagian perkakas pada gambar sesuai dengan gambar perkakas listrik pada halaman bergambar.

- (1) Collet chuck
 - (2) Mur penjepit
 - (3) Spindel gerinda
 - (4) Leher spindel
 - (5) Tombol on/off
 - (6) Gagang (permukaan genggam berisolator)
 - (7) Tutup pelindung
 - (8) Pin penahan^{a)}
 - (9) Kunci pas dengan ukuran 17 mm^{a)}
 - (10) Dimensi shank tipis L₀
 - (11) Batang pemasang
- a) **Aksesori yang ada pada gambar atau yang dijelaskan tidak termasuk dalam lingkup pengiriman standar. Semua aksesori yang ada dapat Anda lihat dalam program aksesori kami.**

Data teknis

Mesin gerinda lurus		GG5 5000	GG5 5000 L
Nomor seri		3 601 B23 0..	3 601 B24 1..
Input daya nominal	W	500	550
Kecepatan nominal	min ⁻¹	33000	33000
Diameter collet chuck maks.	mm	8	8
Diameter leher spindel	mm	43,5	41
Ketebalan mata gerinda maks.	mm	30	30

Mesin gerinda lurus		GG5 5000	GG5 5000 L
Diameter mata gerinda maks.	mm	25	25
Dimensi shank tipis L ₀ maks.	mm	10	10
Panjang batang pemasang maks.	mm	35	35
Berat sesuai dengan EPTA-Procedure 01:2014	kg	1,0	1,4
Tingkat perlindungan		□ / II	□ / II

Data-data berlaku untuk tegangan nominal [U] 230 V. Pada tegangan yang lebih rendah dan pada model khusus mancanegara data-data ini bisa berlainan.

Pemasangan

- ▶ **Sebelum mulai dengan pekerjaan pada perkakas listrik, tariklah steker dari stopkontak.**
- ▶ **Alat sisipan harus dikencangkan setidaknya 10 mm.** Untuk dimensi shank tipis L₀, kecepatan putar maksimal yang diperbolehkan dari alat sisipan dapat ditentukan berdasarkan informasi yang diberikan oleh produsen alat sisipan. Kecepatan tersebut tidak boleh kurang dari kecepatan putar maksimal dari alat sisipan.

Memasang alat gerinda (lihat gambar A)

(GG5 5000)

- Bersihkan spindel gerinda (3) dan semua komponen yang akan dipasang.
 - Putar spindel gerinda (3) hingga lubang pada spindel gerinda (3) dan ceruk pada housing sejajar. Sisipkan pin penahan (8) melalui ceruk pada housing dan lubang spindel gerinda (3).
 - Kendurkan mur penjepit (2) dengan kunci pas (9) (ukuran 17 mm) dengan memutarinya berlawanan arah jarum jam.
 - Masukkan batang penjepit mata gerinda hingga maksimal ke dalam collet chuck (1).
 - Kencangkan mur penjepit (2) dengan kunci pas (9) (ukuran 17 mm) dengan memutarinya searah jarum jam.
- Mata gerinda harus dapat berputar secara sempurna. Ganti dan jangan gunakan mata gerinda yang tidak bulat.

- ▶ **Jangan pernah mengencangkan collet chuck dengan mur penjepit saat tidak terdapat mata gerinda yang terpasang.** Jika tidak, collet chuck dapat menjadi rusak.

Memasang alat gerinda (lihat gambar B)

(GG5 5000 L)

- Bersihkan spindel gerinda (3) dan semua komponen yang akan dipasang.
- Tahan spindel gerinda (3) dengan kuat menggunakan kunci pas (9) pada permukaan kunci. Kendurkan mur penjepit (2) dengan kunci pas (9) pada permukaan kunci dengan memutarinya berlawanan arah jarum jam.
- Masukkan batang penjepit mata gerinda hingga maksimal ke dalam collet chuck (1).
- Tahan spindel gerinda (3) dengan kunci pas (9) dengan kuat dan kencangkan alat sisipan dengan kunci pas (9)

pada permukaan kunci dengan memutarinya searah jarum jam.

Mata gerinda harus dapat berputar secara sempurna. Ganti dan jangan gunakan mata gerinda yang tidak bulat.

- ▶ **Jangan pernah mengencangkan collet chuck dengan mur penjepit saat tidak terdapat mata gerinda yang terpasang.** Jika tidak, collet chuck dapat menjadi rusak.
- ▶ **Hanya gunakan pin gerinda dengan diameter shank yang sesuai.** Pin gerinda dengan diameter shank yang tidak sesuai dengan dudukan alat perkakas listrik (lihat "Data Teknis") tidak dapat ditahan dengan benar dan dapat merusak collet chuck.

Pengisapan debu/serbuk

Debu dari bahan-bahan seperti cat yang mengandung timbel (timah hitam), beberapa jenis kayu, bahan mineral dan logam dapat berbahaya bagi kesehatan. Menyentuh atau menghirup debu-debu ini dapat mengakibatkan reaksi alergi dan/atau penyakit saluran pernapasan pada pengguna atau orang yang berada di dekatnya.

Beberapa debu tertentu seperti debu kayu pohon quercus atau pohon fagus silvatica dianggap dapat mengakibatkan penyakit kanker, terutama dalam campuran dengan bahan-bahan tambahan untuk pengolahan kayu (kromat, obat pengawet kayu). Bahan-bahan yang mengandung asbestos hanya boleh dikerjakan oleh orang-orang yang ahli.

- Perhatikanlah supaya ada pertukaran udara yang baik di tempat kerja.
- Kami anjurkan Anda memakai masker anti debu dengan filter kelas P2.

Taatilah peraturan-peraturan untuk bahan-bahan yang dikerjakan yang berlaku di negara Anda.

- ▶ **Hindari debu yang banyak terkumpul di tempat kerja.** Debu dapat tersulut dengan mudah.

Pengoperasian

Pengoperasian

- ▶ **Perhatikan tegangan listrik! Tegangan jaringan listrik harus sesuai dengan tegangan listrik yang tercantum pada label tipe perkakas listrik. Perkakas listrik dengan daya sebesar 230 V seperti yang diindikasikan pada label dapat juga dioperasikan pada daya 220 V.**
- ▶ **Setiap sebelum digunakan, periksa apakah collet chuck (1) dan mur penjepit (2) tidak terlihat rusak.**

Menghidupkan/mematikan

Geser ke depan tombol on/off (5) untuk **mengoperasikan** perkakas listrik.

Untuk **mengunci** tombol on/off (5), tekan tombol on/off (5) depan ke bawah hingga terkunci.

Untuk **mematikan** perkakas listrik, lepaskan tombol on/off (5) atau jika tombol on/off terkunci, tekan singkat tombol on/off (5) belakang ke bawah dan lepaskan.

Petunjuk pengoperasian

- ▶ **Sebelum mulai dengan pekerjaan pada perkakas listrik, tariklah steker dari stopkontak.**
- ▶ **Jangan membebankan perkakas listrik terlalu berat sehingga perkakas berhenti.**
- ▶ **Setelah pembebanan yang berat, biarkan perkakas listrik beroperasi tanpa beban selama beberapa menit untuk mendinginkan aksesoris yang digunakan.**
- ▶ **Mata gerinda menjadi sangat panas selama digunakan. Jangan menyentuh mata gerinda sebelum mata gerinda menjadi dingin.**
- ▶ **Simpan alat gerinda dan lindungi dari benturan.**

Gerakkan mata gerinda dengan sedikit ditekan untuk mendapatkan hasil yang optimal. Menekan dengan terlalu kuat akan mengurangi performa perkakas listrik dan membuat mata gerinda lebih cepat aus.

Perawatan dan servis**Perawatan dan pembersihan**

- ▶ **Sebelum mulai dengan pekerjaan pada perkakas listrik, tariklah steker dari stopkontak.**
- ▶ **Perkakas listrik dan lubang ventilasi harus selalu dibersihkan agar perkakas dapat digunakan dengan baik dan aman.**
- ▶ **Bila memungkinkan, selalu gunakan sistem ekstraksi udara dalam kondisi pengoperasian yang ekstrem. Tiuplah dengan rutin lubang ventilasi dan hidupkan pemutus arus (PRCD).** Saat pengerjaan bahan logam, debu konduktif dapat mengendap di dalam perkakas listrik. Isolasi keamanan dari perkakas listrik dapat terganggu.

Jika kabel listrik harus diganti, pekerjaan ini harus dilakukan oleh **Bosch** atau Service Center untuk perkakas listrik **Bosch** resmi agar keselamatan kerja selalu terjamin.

Simpan dan tangani aksesoris secara cermat.

Layanan pelanggan dan konsultasi penggunaan

Layanan pelanggan Bosch menjawab semua pertanyaan Anda tentang reparasi dan perawatan serta tentang suku cadang produk ini. Gambaran teknis (exploded view) dan informasi mengenai suku cadang dapat ditemukan di:

www.bosch-pt.com

Tim konsultasi penggunaan Bosch akan membantu Anda menjawab pertanyaan seputar produk kami beserta aksesorinya.

Jika Anda hendak menanyakan sesuatu atau memesan suku cadang, selalu sebutkan nomor model yang terdiri dari 10 angka dan tercantum pada label tipe produk.

Indonesia

PT Robert Bosch
Palma Tower 10th Floor
Jalan RA Kartini II-S Kaveling 6
Pondok Pinang, Kebayoran Lama
Jakarta Selatan 12310
Tel.: (021) 3005 5800
Fax: (021) 3005 5801
E-Mail: boschpowertools@id.bosch.com
www.bosch-pt.co.id

Alamat layanan lainnya dapat ditemukan di:

www.bosch-pt.com/serviceaddresses

Cara membuang

Perkakas listrik, aksesoris, dan kemasan sebaiknya didaur ulang secara ramah lingkungan.



Jangan membuang perkakas listrik ke dalam sampah rumah tangga!

Tiếng Việt**Hướng dẫn an toàn****Cảnh báo Tổng quát Cách sử dụng An toàn Dụng cụ điện Cẩm tay**

⚠ CẢNH BÁO Đọc kỹ mọi cảnh báo an toàn và hướng dẫn. Không tuân

thủ mọi cảnh báo và hướng dẫn được liệt kê dưới đây có thể bị điện giật, gây cháy và / hay bị thương tật nghiêm trọng.

Hãy giữ tất cả tài liệu về cảnh báo và hướng dẫn để tham khảo về sau.

Thuật ngữ "dụng cụ điện cầm tay" trong phần cảnh báo là đề cập đến sự sử dụng dụng cụ điện cầm tay của bạn, loại sử dụng điện nguồn (có dây cắm điện) hay vận hành bằng pin (không dây cắm điện).

Khu vực làm việc an toàn

- ▶ **Giữ nơi làm việc sạch và đủ ánh sáng.** Nơi làm việc bừa bộn và tối tăm dễ gây ra tai nạn.
- ▶ **Không vận hành dụng cụ điện cầm tay trong môi trường dễ gây nổ, chẳng hạn như nơi có chất lỏng dễ cháy, khí đốt hay rác.** Dụng cụ điện cầm tay tạo ra các tia lửa nên có thể làm rác bèn cháy hay bốc khói.
- ▶ **Không để trẻ em hay người đến xem đứng gần khi vận hành dụng cụ điện cầm tay.** Sự phân tâm có thể gây ra sự mất điều khiển.

An toàn về điện

- ▶ **Phích cắm của dụng cụ điện cầm tay phải thích hợp với ổ cắm. Không bao giờ được cải biến lại phích cắm dưới mọi hình thức. Không được sử dụng phích cắm nối tiếp đất (dây mát).** Phích cắm nguyên bản và ổ cắm đúng loại sẽ làm giảm nguy cơ bị điện giật.
- ▶ **Tránh không để thân thể tiếp xúc với đất hay các vật có bề mặt tiếp đất như đường ống, lò sưởi, hàng rào và tủ lạnh.** Có nhiều nguy cơ bị điện giật hơn nếu cơ thể bạn bị tiếp hay nối đất.
- ▶ **Không được để dụng cụ điện cầm tay ngoài mưa hay ở tình trạng ẩm ướt.** Nước vào máy sẽ làm tăng nguy cơ bị điện giật.
- ▶ **Không được làm dụng dây dẫn điện. Không bao giờ được nắm dây dẫn để xách, kéo hay rút phích cắm dụng cụ điện cầm tay. Không để dây gần nơi có nhiệt độ cao, dầu nhớt, vật nhọn bén và bộ phận chuyển động.** Làm hỏng hay cuộn rối dây dẫn làm tăng nguy cơ bị điện giật.
- ▶ **Khi sử dụng dụng cụ điện cầm tay ngoài trời, dùng dây nối thích hợp cho việc sử dụng ngoài trời.** Sử dụng dây nối thích hợp cho việc sử dụng ngoài trời làm giảm nguy cơ bị điện giật.
- ▶ **Nếu việc sử dụng dụng cụ điện cầm tay ở nơi ẩm ướt là không thể tránh được, dùng thiết bị ngắt mạch tự động (RCD) bảo vệ nguồn.** Sử dụng thiết bị ngắt mạch tự động RCD làm giảm nguy cơ bị điện giật.

An toàn cá nhân

- ▶ **Hãy tỉnh táo, biết rõ mình đang làm gì và hãy sử dụng ý thức khi vận hành dụng cụ điện cầm tay. Không sử dụng dụng cụ điện cầm tay khi đang mệt mỏi hay đang bị tác động do chất gây nghiện, rượu hay được phẩm gây ra.** Một thoáng mất tập trung khi đang vận hành dụng cụ điện cầm tay có thể gây thương tích nghiêm trọng cho bản thân.
- ▶ **Sử dụng trang bị bảo hộ cá nhân. Luôn luôn đeo kính bảo vệ mắt.** Trang bị bảo hộ như khẩu trang, giày chống trượt, nón bảo hộ, hay dụng cụ bảo vệ tai khi được sử dụng đúng nơi đúng chỗ sẽ làm giảm nguy cơ thương tật cho bản thân.
- ▶ **Phòng tránh máy khởi động bất ngờ. Bảo đảm công tắc máy ở vị trí tắt trước khi cắm vào nguồn điện và/hay lắp pin vào, khi nhắc máy lên hay khi mang xách máy.** Ngáng ngón tay vào công tắc máy để xách hay kích hoạt dụng cụ điện cầm tay khi công tắc ở vị trí mở để dẫn đến tai nạn.
- ▶ **Lấy mọi chìa hay khóa điều chỉnh ra trước khi mở điện dụng cụ điện cầm tay.** Khóa hay chìa còn gắn dính vào bộ phận quay của dụng cụ điện cầm tay có thể gây thương tích cho bản thân.
- ▶ **Không rướn người. Luôn luôn giữ tư thế đứng thích hợp và thẳng bằng.** Điều này tạo cho việc điều khiển dụng cụ điện cầm tay tốt hơn trong mọi tình huống bất ngờ.
- ▶ **Trang phục thích hợp. Không mặc quần áo rộng lung tung hay mang trang sức. Giữ tóc, quần áo và găng tay xa khỏi các bộ phận chuyển động.** Quần áo rộng lung tung, đồ trang sức hay tóc dài có thể bị cuốn vào các bộ phận chuyển động.
- ▶ **Nếu có các thiết bị đi kèm để nối máy hút bụi và các phụ kiện khác, bảo đảm các thiết bị này được nối và sử dụng tốt.** Việc sử dụng các thiết bị gom hút bụi có thể làm giảm các độc hại liên quan đến bụi gây ra.

Sử dụng và bảo dưỡng dụng cụ điện cầm tay

- ▶ **Không được ép máy. Sử dụng dụng cụ điện cầm tay đúng loại theo đúng ứng dụng của bạn.** Dụng cụ điện cầm tay đúng chức năng sẽ làm việc tốt và an toàn hơn theo đúng tiến độ mà máy được thiết kế.
- ▶ **Không sử dụng dụng cụ điện cầm tay nếu như công tắc không tắt và mở được.** Bất kỳ dụng cụ điện cầm tay nào mà không thể điều khiển được bằng công tắc là nguy hiểm và phải được sửa chữa.
- ▶ **Rút phích cắm ra khỏi nguồn điện và/hay pin ra khỏi dụng cụ điện cầm tay trước khi tiến hành bất kỳ điều chỉnh nào, thay phụ kiện, hay cất dụng cụ điện cầm tay.** Các biện pháp ngăn ngừa như vậy làm giảm nguy cơ dụng cụ điện cầm tay khởi động bất ngờ.
- ▶ **Cất giữ dụng cụ điện cầm tay không dùng tới một trẻ em không lấy được và không cho người chưa từng biết dụng cụ điện cầm tay hay các hướng dẫn này sử dụng dụng cụ điện cầm tay.** Dụng cụ điện cầm tay nguy hiểm khi ở trong tay người chưa được chỉ cách sử dụng.
- ▶ **Bảo quản dụng cụ điện cầm tay. Kiểm tra xem các bộ phận chuyển động có bị sai lệch hay kẹt, các bộ phận bị rạn nứt và các tình trạng khác có thể ảnh hưởng đến sự vận hành của máy. Nếu bị hư hỏng, phải sửa chữa máy trước khi sử dụng.** Nhiễu tai nạn xảy ra do bảo quản dụng cụ điện cầm tay tồi.
- ▶ **Giữ các dụng cụ cất bên và sạch.** Bảo quản đúng cách các dụng cụ cất có cạnh cắt bén làm giảm khả năng bị kẹt và dễ điều khiển hơn.
- ▶ **Sử dụng dụng cụ điện cầm tay, phụ kiện, đầu cài v. v., đúng theo các chỉ dẫn này, hãy lưu ý đến điều kiện làm việc và công việc phải thực hiện.** Sự sử dụng dụng cụ điện cầm tay khác với mục đích thiết kế có thể tạo nên tình huống nguy hiểm.

Bảo dưỡng

- ▶ **Đưa dụng cụ điện cầm tay của bạn đến thợ chuyên môn để bảo dưỡng, chỉ sử dụng phụ tùng đúng chủng loại để thay.** Điều này sẽ đảm bảo sự an toàn của máy được giữ nguyên.

Các cảnh báo an toàn cho tất cả các ứng dụng

Cảnh báo an toàn chung cho mài hoặc chạm khắc

- ▶ **Dụng cụ điện cầm tay này có chức năng như máy mài hoặc máy chạm khắc.** Hãy đọc toàn bộ các cảnh báo an toàn, hướng dẫn, hình ảnh và thông số kỹ thuật được cung cấp cho dụng cụ điện cầm tay này. Không tuân thủ mọi hướng dẫn được liệt kê dưới đây có thể bị điện giật, gây cháy và /hay bị thương tật nghiêm trọng.
- ▶ **Không nên thực hiện các thao tác như mài, đánh bóng bằng kim loại, đánh bóng hoặc cắt bằng dụng cụ điện cầm tay này.** Các thao tác không được thiết kế cho dụng cụ điện cầm tay này có thể gây nguy hiểm hoặc gây tổn thương cho con người.
- ▶ **Không được sử dụng các phụ kiện không được thiết kế riêng và khuyến dùng bởi nhà sản xuất dụng cụ.** Bởi vì phụ kiện có thể gắn được với dụng cụ điện cầm tay của bạn, nhưng nó không đảm bảo hoạt động an toàn.
- ▶ **Tốc độ định mức của phụ kiện mài tối thiểu phải bằng tốc độ tối đa được ghi trên dụng cụ điện cầm tay.** Các phụ kiện mài chạy nhanh hơn tốc độ định mức của chúng có thể bị vỡ và văng ra.
- ▶ **Đường kính ngoài và độ dày của phụ kiện phải nằm trong định mức công suất của dụng cụ điện cầm tay của bạn.** Không thể kiểm soát phù hợp các phụ kiện sai kích cỡ.
- ▶ **Kích cỡ đĩa cắt, tang mài hoặc phụ kiện khác phải vừa khớp với trục quay hoặc ống kẹp của dụng cụ điện.** Các phụ kiện không khớp với các phụ kiện cứng ghép nối của dụng cụ điện cầm tay sẽ làm mất cân bằng, rung lắc quá mức và có thể làm mất kiểm soát.
- ▶ **Phải lắp hết cỡ các bánh mài gắn đầu nóng, tang mài, lưới cắt hoặc các phụ kiện khác vào ống kẹp hoặc đầu kẹp.** Nếu đầu nóng được giữ không chắc chắn và/hoặc phần nhô ra của bánh mài quá dài, bánh mài được ghép nối có thể bị lỏng và bị đẩy ra ở tốc độ cao.
- ▶ **Không được sử dụng phụ kiện bị hư hỏng.** Trước mỗi lần sử dụng, cần kiểm tra kỹ các vết nứt và rạn của đĩa mài, các vết rạn nứt, mòn hoặc mài mòn quá mức của tang mài, các đầu kim loại bị lỏng hoặc bị nứt của bản chải kim loại. Nếu làm rơi dụng cụ điện cầm tay hoặc phụ kiện, cần kiểm tra hư hỏng

hoặc thay thế bằng phụ kiện không bị hư hỏng. Sau khi kiểm tra và thay thế phụ kiện, bạn và người xung quanh đứng phải tránh hướng lưỡi dao của các phụ kiện xoay và khởi động dụng cụ điện ở tốc độ không tải tối đa trong vòng một phút. Các phụ kiện bị hư hỏng thường bị vỡ rời trong quá trình chạy thử này.

- ▶ **Mặc thiết bị bảo hộ cá nhân.** Tùy thuộc vào từng công việc, hãy sử dụng mặt nạ, kính bảo vệ hoặc kính an toàn. Nếu có, hãy đeo mặt nạ chống bụi, dụng cụ bảo vệ tai, găng tay và tạp dề lao động có thể ngăn chặn mài nhỏ hoặc các mảnh vụn của phôi. Dụng cụ bảo vệ mắt phải có khả năng ngăn chặn mảnh vỡ bắn ra do các thao tác khác nhau sinh ra. Mặt nạ chống bụi hoặc mặt nạ chống độc phải có khả năng lọc các tạp chất do thao tác của bạn sinh ra. Việc tiếp xúc lâu với tiếng ồn quá cao có thể làm giảm thính giác.
- ▶ **Hãy cách ly người xung quanh tránh xa khu vực làm việc một khoảng cách an toàn. Bắt kỳ ai đi vào khu vực làm việc phải mặc thiết bị bảo hộ cá nhân.** Các mảnh vỡ của phôi hoặc của phụ kiện bị vỡ có thể văng ra ngoài khỏi khu vực làm việc và có thể gây tổn thương.
- ▶ **Chỉ cầm dụng cụ điện tại các bề mặt cầm nắm có cách điện, khi thực hiện một thao tác tại vị trí mà phụ kiện cắt có thể tiếp xúc với dây điện ngầm hoặc chính dây điện của thiết bị.** Phụ kiện cắt tiếp xúc với dây có điện có thể làm cho các phần kim loại hở của dụng cụ điện cầm tay có điện và có thể gây ra điện giật cho người vận hành.
- ▶ **Luôn nắm chắc dụng cụ trong tay của bạn trong quá trình khởi động.** Mômen phản lực của mô-tơ khi nó tăng lên đến tốc độ tối đa có thể làm xoắn dụng cụ.
- ▶ **Sử dụng các kẹp để đỡ phôi gia công bất kỳ khi nào sử dụng. Tuyệt đối không nắm phôi gia công nhỏ bằng một tay và nắm dụng cụ bằng tay kia trong khi đang sử dụng.** Việc kẹp một phôi gia công nhỏ sẽ cho phép bạn sử dụng các tay để điều khiển dụng cụ. Các vật liệu tròn như các thanh nôm, ống hoặc ống nối có khả năng bị lặn trong khi cắt và có thể làm cho lưỡi cắt bị kẹt hoặc nảy về phía bạn.
- ▶ **Để dây điện tránh xa phần phụ kiện quay.** Nếu bạn mất kiểm soát, dây điện có thể bị đứt hoặc mài mòn và bàn tay hoặc tay của bạn có thể bị kéo vào phần phụ kiện quay.
- ▶ **Tuyệt đối không để dụng cụ điện cầm tay xuống đất cho tới khi phần quay của thiết bị đã dừng hẳn.** Phần phụ kiện quay có thể ngoạm bề mặt và kéo dụng cụ điện cầm tay khỏi tầm kiểm soát.
- ▶ **Sau khi thay thế lưới cắt hoặc thực hiện các căn chỉnh, đảm bảo siết chặt đai, ống kẹp**

dàn hồi hoặc bất kỳ thiết bị căn chỉnh nào khác. Các thiết bị căn chỉnh bị lỏng có thể di chuyển không mong muốn và có thể gây ra mất kiểm soát, các bộ phận xoay bị lỏng sẽ bị văng ra rất mạnh.

- ▶ **Không được vận hành dụng cụ điện cầm tay trong khi đang đeo nó trên người.** Việc vô tình tiếp xúc với phần phụ kiện quay có thể ngoạm quần áo của bạn, kéo phụ kiện về phía của bạn.
- ▶ **Thường xuyên vệ sinh các lỗ thông khí của dụng cụ điện cầm tay.** Quạt của mô tơ sẽ hút bụi bẩn vào trong vỏ ngoài và việc tích tụ quá mức hạt kim loại có thể gây ra các rủi ro điện giật.
- ▶ **Không được vận hành dụng cụ điện cầm tay gần các vật liệu dễ cháy.** Các tia lửa có thể đốt cháy các vật liệu đó.
- ▶ **Không được sử dụng các phụ kiện cần sử dụng các dung dịch làm nguội.** Việc sử dụng nước hoặc các dung dịch làm nguội khác có thể gây ra điện giật.

Lực phản hồi và các cảnh báo liên quan

Lực phản hồi là một lực tác động đột ngột lên đĩa quay, nẹp mài, bàn chải hoặc bất kỳ phụ kiện nào khác bị ép hoặc mài mòn. Việc ép hoặc mài mòn làm cho phần phụ kiện quay dừng gấp sau đó gây ra tác động mạnh vào thiết bị điện cầm tay không kiểm soát được theo hướng ngược với hướng quay của phụ kiện.

Ví dụ, nếu đĩa mài bị mài mòn hoặc ép bởi phôi gia công, mép của đĩa mài tiếp xúc với điểm ép có thể tạo rãnh bề mặt của vật liệu làm cho đĩa mài nhỏ ra hoặc va đập. Đĩa mài có thể nhảy về phía hoặc nhảy ra ngoài từ phía người vận hành, tùy thuộc vào hướng di chuyển của đĩa mài tại điểm ép. Các đĩa mài cũng có thể bị vỡ trong các trường hợp này.

Lực phản hồi là do việc sử dụng sai và/hoặc quy trình hoặc điều kiện vận hành sai dụng cụ điện cầm tay và có thể phòng tránh bằng cách áp dụng các biện pháp phòng ngừa phù hợp được nêu dưới đây.

- ▶ **Giữ chặt dụng cụ điện cầm tay và giữ cho cơ thể và tay của bạn chắc chắn cho phép bạn chịu được các lực phản hồi.** Người vận hành có thể kiểm soát được các lực phản hồi nếu áp dụng các biện pháp phòng ngừa phù hợp.
- ▶ **Sử dụng tấm bảo vệ đặc biệt khi làm việc tại các góc, cạnh sắc v.v.v. Tránh làm nảy và mài mòn phụ kiện.** Các góc, cạnh sắc hoặc việc nảy lên có thể mài mòn phụ kiện quay và dẫn đến mất kiểm soát hoặc đẩy ngược lại.
- ▶ **Không được lắp thêm lưỡi cưa có răng.** Các lưỡi như vậy có thể tạo lực phản hồi thường xuyên và làm mất kiểm soát.
- ▶ **Luôn đặt lưỡi cắt lên vật liệu cùng hướng với mép cắt đang đẩy ra từ tấm vật liệu (cùng hướng với hướng các mảnh bảo được đẩy**

ra). Việc đưa dụng cụ vào sai hướng có thể làm cho mép cắt của lưỡi cắt trượt khỏi phôi và kéo dụng cụ theo hướng đưa vào này.

- ▶ **Phải luôn kẹp cố định vật liệu khi sử dụng đĩa quay, lưỡi cắt tốc độ cao hoặc lưỡi cắt vonfam các bua.** Các đĩa này sẽ bị ngoạm nếu chúng hơi bị nghiêng trong rãnh cưa và có thể đẩy ngược lại. Khi đĩa quay, lưỡi cắt tốc độ cao hoặc lưỡi cắt vonfam các bua, nó có thể bật khỏi rãnh và bạn có thể mất kiểm soát với dụng cụ.

Các cảnh báo an toàn dành riêng cho các thao tác mài và cắt

- ▶ **Chỉ sử dụng các loại đĩa được chỉ định cho dụng cụ điện cầm tay của bạn và chỉ sử dụng cho các công việc được chỉ định.** Ví dụ: không được mài bên cạnh của đĩa cắt. Các đĩa cắt bằng nhôm chỉ được sử dụng cho mài mép, các lực biên tác dụng vào các đĩa cắt này có thể làm chúng bị vỡ.
- ▶ **Đối với các miệng loe và ống mài có ren, chỉ sử dụng các đầu nong không bị hư hỏng có bích vai hốt lưng cùng kích cỡ và chiều dài.** Sử dụng đầu nong phù hợp sẽ giảm thiểu khả năng bị vỡ.
- ▶ **Không được làm "kẹt" đĩa cắt hoặc tỳ đè quá lực.** Không được cố gắng cắt sâu quá mức. Việc tạo ứng suất quá mức lên đĩa làm tăng tải và dễ gây ra xoắn hoặc mài mòn đĩa trong khi cắt và có thể tạo lực phản hồi làm vỡ đĩa.
- ▶ **Không được để tay của bạn song song và phía sau đĩa quay.** Khi đĩa, ở vị trí vận hành, đang di chuyển theo hướng bàn tay của bạn, lực phản hồi có thể đẩy đĩa quay và đĩa quay và dụng cụ trực tiếp về phía bạn.
- ▶ **Khi đĩa bị kẹt, mài mòn hoặc khi dừng cắt vì lý do nào đó, hãy tắt nguồn dụng cụ điện cầm tay và giữ cố định thiết bị điện tới khi đĩa đã dừng quay hẳn.** Tuyệt đối không cố gắng tháo đĩa cắt ra trong khi đĩa vẫn đang quay nếu không lực phản hồi có thể xảy ra. Kiểm tra và có biện pháp khắc phục để loại bỏ nguyên nhân kẹt bánh mài bị kẹt hoặc mài mòn.
- ▶ **Không được khởi động lại thao tác cắt khi bị kẹt trong phôi.** Để đĩa quay đạt tốc độ cực đại và cẩn thận khởi động lại đường cắt. Đĩa có thể bị kẹt, nảy lên hoặc tác động trở lại nếu khởi động lại dụng cụ điện kẹt trong phôi.
- ▶ **Sử dụng các tấm đỡ hoặc phôi quá kích cỡ để giảm thiểu nguy cơ ép đĩa và lực phản hồi.** Các phôi lớn thường vồng xuống dưới trọng lượng riêng của chúng. Cần phải đặt các tấm đỡ phía dưới phôi gần đường cắt và gần cạnh của phôi về cả hai phía của đĩa cắt.
- ▶ **Sử dụng biện pháp an toàn khác khi cắt rãnh vào các vách hiện có hoặc các khu vực chân tường.** Đĩa cắt nhỏ lên có thể cắt đứt các đường

ống khí hoặc nước, dây điện hoặc các vật dụng có thể gây ra lực phản hồi.

Các cảnh báo phụ thêm

- ▶ **Không được chạm vào đĩa mài trước khi các đĩa này đã nguội.** Đĩa có thể trở nên rất nóng trong lúc hoạt động.
- ▶ **Dùng thiết bị dò tìm thích hợp để xác định nếu có các công trình công cộng lắp đặt ngầm trong khu vực làm việc hay liên hệ với Cty công trình công cộng địa phương để nhờ hỗ trợ.** Đụng chạm đường dẫn điện có thể gây ra hỏa hoạn và điện giật. Làm hư hại đường dẫn khí ga có thể gây nổ. Làm thủng đường dẫn nước gây hư hỏng tài sản hay có khả năng gây ra điện giật.
- ▶ **Kẹp chặt vật gia công.** Vật gia công được kẹp bằng một thiết bị kẹp hay bằng êtô thì vững chắc hơn giữ bằng tay.
- ▶ **Dụng cụ điện không phù hợp cho vận hành tĩnh.** Không được phép kẹp vào một êtô hoặc gắn trên một bàn máy.

Mô Tả Sản Phẩm và Đặc Tính Kỹ Thuật



Đọc kỹ mọi cảnh báo an toàn và mọi hướng dẫn. Không tuân thủ mọi cảnh báo và hướng dẫn được liệt kê dưới đây có thể bị điện giật, gây cháy và / hay bị thương tật nghiêm trọng.

Xin lưu ý các hình minh hoạt trong phần trước của hướng dẫn vận hành.

Sử dụng đúng cách

Máy được thiết kế để mài và làm sạch rìa vật liệu kim loại bằng cách sử dụng dụng cụ mài bằng chất đá cứng corundum, cũng như để sử dụng với đá mài đĩa.

Các bộ phận được minh họa

Sự đánh số các biểu trưng của sản phẩm là để tham khảo hình minh họa của máy trên trang hình ảnh.

- (1) Cổ góp
- (2) Đai ốc chặn
- (3) Trục máy mài
- (4) Cổ trục
- (5) Công tắc Tắt/Mở
- (6) Tay nắm (bề mặt nắm cách điện)
- (7) Chụp bảo vệ
- (8) Chốt giữ^{a)}
- (9) Chia vặn hình đĩa với kích thước đặt chia vặn 17 mm^{a)}
- (10) Kích thước trục nhẹ L₀
- (11) Chuôi tiếp hợp

a) **Phụ tùng được trình bày hay mô tả không phải là một phần của tiêu chuẩn hàng hóa được giao kèm theo sản phẩm. Bạn có thể tham khảo tổng thể các loại phụ tùng, phụ kiện trong chương trình phụ tùng của chúng tôi.**

Thông số kỹ thuật

Máy mài thẳng		GG5 5000	GG5 5000 L
Mã số máy		3 601 B23 0..	3 601 B24 1..
Công suất vào danh định	W	500	550
Tốc độ danh định	min ⁻¹	33000	33000
Đường kính mâm cặp, tối đa	mm	8	8
Đường kính cổ trục	mm	43,5	41
Độ dày dụng cụ mài tối đa	mm	30	30
Đường kính dụng cụ mài, tối đa	mm	25	25
Kích thước trục nhẹ tối đa L ₀	mm	10	10
Chiều dài tối đa chuôi tiếp hợp	mm	35	35
Trọng lượng theo Qui trình EPTA-Procedure 01:2014	kg	1,0	1,4
Cấp độ bảo vệ		□ / II	□ / II

Các giá trị đã cho có hiệu lực cho điện thế danh định [U] 230 V. Đối với điện thế thấp hơn và các loại máy dành riêng cho một số quốc gia, các giá trị này có thể thay đổi.

Sự lắp vào

- ▶ **Trước khi tiến hành bất cứ việc gì trên máy, kéo phích cắm điện nguồn ra.**

- ▶ **Dụng cụ gài phải được kẹp tối thiểu 10 mm.** Với kích thước trục nhẹ L₀ tốc độ tối đa cho phép của dụng cụ gài có thể được xác định từ thông tin do nhà sản xuất dụng cụ gài cung cấp. Tốc

độ này không được thấp hơn tốc độ tối đa của dụng cụ điện.

Lắp dụng cụ mài (xem hình A)

(GGS 5000)

- Làm sạch trục máy mài (3) và tất cả bộ phận sắp được lắp vào.
- Hãy xoay trục máy mài (3), đến khi lỗ khoan trong trục máy mài (3) và các khe trên vỏ thẳng hàng với nhau. Hãy găm chốt giữ (8) qua các khe trên vỏ và lỗ khoan của trục máy mài (3).
- Nới lỏng đai ốc chặn (2) bằng chìa vặn hình đĩa (9) (kích thước đặt chìa vặn 17 mm) bằng cách xoay ngược chiều kim đồng hồ.
- Cắm trục kẹp của dụng cụ mài vào vành kẹp cho tới cỡ chặn (1).
- Siết chặt đai ốc chặn (2) bằng chìa vặn hình đĩa (9) (kích thước đặt chìa vặn 17 mm) bằng cách xoay theo chiều kim đồng hồ.

Dụng cụ mài phải quay đồng tâm hoàn toàn. Không được sử dụng các phụ tùng không tròn đều, để thay thế, thay dụng cụ mài khác vào trước khi tiếp tục làm việc.

- ▶ **Không siết chặt vành kẹp với đai ốc chặn, nếu dụng cụ mài được lắp.** Nếu không, cổ góp có thể bị hỏng.

Lắp dụng cụ mài (xem hình B)

(GGS 5000 L)

- Làm sạch trục máy mài (3) và tất cả bộ phận sắp được lắp vào.
- Giữ chặt trục mài (3) bằng chìa vặn hình đĩa (9) trên khớp tra chìa vặn.
Hãy nới lỏng đai ốc chặn (2) bằng chìa vặn hình đĩa (9) trên khớp tra chìa vặn bằng cách xoay ngược chiều kim đồng hồ.
- Cắm trục kẹp của dụng cụ mài vào vành kẹp cho tới cỡ chặn (1).
- Hãy giữ chặt trục mài (3) bằng chìa vặn hình đĩa (9) và kẹp dụng cụ mài bằng chìa vặn hình đĩa (9) trên khớp tra chìa vặn bằng cách xoay theo chiều kim đồng hồ.

Dụng cụ mài phải quay đồng tâm hoàn toàn. Không được sử dụng các phụ tùng không tròn đều, để thay thế, thay dụng cụ mài khác vào trước khi tiếp tục làm việc.

- ▶ **Không siết chặt vành kẹp với đai ốc chặn, nếu dụng cụ mài được lắp.** Nếu không, cổ góp có thể bị hỏng.
- ▶ **Chỉ sử dụng chốt mài với đường kính trục phù hợp.** Một chốt mài có đường kính trục không khớp với giá lắp dụng cụ của dụng cụ điện (xem phần „Thông số kỹ thuật“) không thể giữ chính xác và có thể làm hỏng cổ góp.

Hút Dăm/Bụi

Mạt bụi từ các vật liệu được sơn phủ ngoài có chứa chì trên một số loại gỗ, khoáng vật và kim loại có thể gây nguy hại đến sức khỏe con người. Dụng cụ chạm hay hít thở các bụi này có thể làm người sử dụng hay đứng gần bị dị ứng và/hoặc gây nhiễm trùng hệ hô hấp.

Một số hạt bụi cụ thể, ví dụ như bụi gỗ sồi hay dẫu, được xem là chất gây ung thư, đặc biệt là có liên quan đến các chất phụ gia dùng xử lý gỗ (chất cromat, chất bảo quản gỗ). Có thể chỉ nên để thợ chuyên môn gia công các loại vật liệu có chứa amiăng.

- Tạo không khí thông thoáng nơi làm việc.
- Khuyến nghị nên mang mặt nạ phòng độc có bộ lọc cấp P2.

Tuân thủ các qui định của quốc gia bạn liên quan đến loại vật liệu gia công.

- ▶ **Tránh không để rác tích tụ tại nơi làm việc.**
Rác có thể dễ dàng bắt lửa.

Vận Hành

Bắt Đầu Vận Hành

- ▶ **Hãy cẩn thận với nguồn điện! Điện thế nguồn phải đúng với điện thế đã ghi rõ trên nhãn máy. Dụng cụ điện được ghi 230 V cũng có thể được vận hành ở 220 V.**
- ▶ **Trước mỗi lần sử dụng, hãy kiểm tra xem cổ góp (1) và đai ốc chặn (2) có bị hư hỏng không.**

Bật Mở và Tắt

Để **mở máy** dụng cụ điện, nhấn công tắc Tắt/Mở (5) về phía trước.

Để **khóa** công tắc Tắt/Mở (5) hãy nhấn công tắc Tắt/Mở (5) về phía trước, cho đến khi khớp vào.

Để **tắt** dụng cụ điện, hãy nhả công tắc Tắt/Mở (5) hoặc nếu nó được khóa, hãy nhấn nhanh công tắc Tắt/Mở (5) xuống và nhả.

Hướng Dẫn Sử Dụng

- ▶ **Trước khi tiến hành bất cứ việc gì trên máy, kéo phích cắm điện nguồn ra.**
- ▶ **Không được bắt dụng cụ điện làm việc quá sức đến mức dừng hoạt động.**
- ▶ **Sau khi để dụng cụ điện hoạt động với cường độ cao, tiếp tục cho máy chạy không tải vài phút để làm nguội dụng cụ cắt/mài xuống.**
- ▶ **Dụng cụ mài có thể trở nên rất nóng trong lúc hoạt động. Không được chạm vào trước khi chúng đã nguội.**
- ▶ **Hãy bảo quản dụng cụ mài khô và chạm.**

Để việc gia công có được kết quả tốt nhất, di chuyển dụng cụ đầu gài/phụ tùng qua lại một cách đều tay với lực áp máy nhẹ. Áp suất quá mạnh sẽ

làm giảm hiệu suất của dụng cụ điện và dẫn đến mòn nhanh dụng cụ mài.

Bảo Dưỡng và Bảo Quản

Bảo Dưỡng Và Làm Sạch

- ▶ Trước khi tiến hành bất cứ việc gì trên máy, kéo phích cắm điện nguồn ra.
- ▶ Để được an toàn và máy hoạt động đúng chức năng, luôn luôn giữ máy và các khe thông gió được sạch.
- ▶ Luôn sử dụng thiết bị hút nếu có khả năng khi vận hành dụng cụ trong điều kiện khắc nghiệt. Thường xuyên thổi sạch các khe thông gió và lắp đặt thiết bị ngắt mạch tự động (PRCD). Khi gia công kim loại, các loại hạt bụi dẫn điện có thể lọt vào trong dụng cụ điện. Toàn bộ sự cách điện của dụng cụ điện có thể bị mất tác dụng.

Nếu như cần phải thay dây dẫn điện thì công việc này phải do hãng **Bosch**, hay một đại lý được **Bosch** ủy nhiệm thực hiện để tránh gặp sự nguy hiểm do mất an toàn.

Xin vui lòng bảo quản và giữ gìn tay nắm và phụ tùng cẩn thận.

Dịch vụ hỗ trợ khách hàng và tư vấn sử dụng

Bộ phận phục vụ hàng sau khi bán của chúng tôi trả lời các câu hỏi liên quan đến việc bảo dưỡng và sửa chữa các sản phẩm cũng như phụ tùng thay thế của bạn. Sơ đồ mô tả và thông tin về phụ tùng thay thế cũng có thể tra cứu theo dưới đây:

www.bosch-pt.com

Đội ngũ tư vấn sử dụng của Bosch sẽ giúp bạn giải đáp các thắc mắc về sản phẩm và phụ kiện.

Trong tất cả các phản hồi và đơn đặt phụ tùng, xin vui lòng luôn luôn nhập số hàng hóa 10 chữ số theo nhãn của hàng hóa.

Việt Nam

CN CÔNG TY TNHH BOSCH VIỆT NAM TẠI TP.HCM

Tầng 14, Ngôi Nhà Đức, 33 Lê Duẩn
Phường Bến Nghé, Quận 1, Thành Phố Hồ Chí Minh

Tel.: (028) 6258 3690

Fax: (028) 6258 3692 - 6258 3694

Hotline: (028) 6250 8555

Email: tuvankhachhang-pt@vn.bosch.com

www.bosch-pt.com.vn

www.baohanhbosch-pt.com.vn

Xem thêm địa chỉ dịch vụ tại:

www.bosch-pt.com/serviceaddresses

Sự thải bỏ

Máy, linh kiện và bao bì phải được phân loại để tái chế theo hướng thân thiện với môi trường.



Không được thải bỏ dụng cụ điện vào chung với rác sinh hoạt!

استعمال كابل تمديد مخصص للاستعمال في الأماكن المكشوفة من خطر الصدمات الكهربائية. **إن لم يكن بالإمكان تجنب تشغيل العدة الكهربائية في الأجواء الرطبة، فاستخدم مفتاح للوقاية من التيار المتخلف.** إن استخدام مفتاح للوقاية من التيار المتخلف يقلل خطر الصدمات الكهربائية.

أمان الأشخاص

كن يقظا وانتبه إلى ما تفعله واستخدم العدة الكهربائية بتعقل. لا تستخدم عدة كهربائية عندما تكون متعبا أو عندما تكون تحت تأثير المخدرات أو الكحول أو الأدوية. عدم الانتباه للحظة واحدة عند استخدام العدة الكهربائية قد يؤدي إلى إصابات خطيرة.

قم بارتداء تجهيزات الحماية الشخصية. وارتد دائما نظارات واقية. إن ارتداء تجهيزات الحماية الشخصية، كقناع الوقاية من الغبار وأحذية الأمان الواقية من الانزلاق والوذو أو واقية الأذنين، حسب ظروف استعمال العدة الكهربائية، يقلل من خطر الإصابة بجروح.

تجنب التشغيل بشكل غير مقصود. تأكد من كون العدة الكهربائية مطفاة قبل توصيلها بالتيار الكهربائي و/أو بالمركم، وقبل رفعها أو حملها. إن كنت تضع إصبعك على المفتاح أثناء حمل العدة الكهربائية أو إن وصلت الجهاز بالشبكة الكهربائية بينما المفتاح على وضع التشغيل، فقد يؤدي هذا إلى وقوع الحوادث.

انزع أي أداة ضبط أو مفتاح ربط قبل تشغيل العدة الكهربائية. قد يؤدي ترك أداة أو مفتاح في جزء دوار من الجهاز إلى الإصابة بجروح.

تجنب أوضاع الجسم غير الطبيعية. قف بأمان وحافظ على توازنك دائما. سيسمح لك ذلك بالتمكك في الجهاز بشكل أفضل في المواقف غير المتوقعة.

قم بارتداء ثياب مناسبة. لا ترتد الثياب الفضفاضة أو الحللي المتدلية. حافظ على إبقاء الشعر والثياب والقفازات على بعد عن أجزاء الجهاز المتحركة. قد تتشابك الثياب الفضفاضة والحلى والشعر الطويل بالأجزاء المتحركة.

في حالة التزود بتجهيزات شفط وتجميع الغبار، فتأكد من أنها موصلة ومستخدمة بشكل سليم. قد يقلل استخدام تجهيزات شفط الغبار من المخاطر الناتجة عن الغبار.

استخدام العدة الكهربائية والعناية بها

لا تفرط في تحميل الجهاز. استخدم لتنفيذ أشغالك العدة الكهربائية المخصصة لذلك. استخدام العدة الكهربائية الصحيحة سنجز العمل بصورة أفضل وأكثر أمانا بالمعدل الذي صممت من أجله.

لا تستخدم العدة الكهربائية إن كان مفتاح تشغيلها معطل. العدة الكهربائية التي لم يعد من الممكن التمكن بها عن طريق مفتاح التشغيل والإطفاء تعتبر خطرة ويجب أن يتم إصلاحها.

عند القياس من المقبس و/أو انزع المركم من العدة الكهربائية قبل إجراء أي أعمال الضبط على الجهاز وقبل استبدال التوابع أو قبل تخزين العدة الكهربائية. تقلل هذه

عربي

إرشادات الأمان

تحذيرات أمان عامة للعدد الكهربائية

اقرأ جميع تحذيرات الأمان والتعليمات. عدم مراعاة

تحذيرات الأمان وعدم اتباع التعليمات قد يؤدي إلى الصدمات الكهربائية و/أو نشوب حرائق و/أو الإصابة بجروح خطيرة.

احتفظ بجميع تحذيرات الأمان والتعليمات للرجوع إليها فيما بعد.

يقصد بمصطلح «العدة الكهربائية» المستخدم في تحذيرات الأمان، العدد الكهربائية الموصلة بالشبكة الكهربائية (بواسطة كابل الشبكة الكهربائية) وأيضا العدد الكهربائية المشغلة بمركم (دون كابل الشبكة الكهربائية).

الأمان بمكان العمل

احرص على أن يكون مكان العمل نظيفا ومضاء بشكل جيد. الفوضى في مكان العمل ونطاقات العمل غير المضاءة قد تؤدي إلى وقوع الحوادث.

لا تشغل العدة الكهربائية في أجواء معرضة لخطر الانفجار، مثل الأماكن التي تتوفر فيها السوائل أو الغازات أو الأبخرة القابلة للاشتعال. العدد الكهربائية تولد شررا قد يتسبب في إشعال الأبخرة والأبخرة.

احرص على بقاء الأطفال وغيرهم من الأشخاص بعيدا عند تشغيل العدة الكهربائية. تشتت الانتباه قد يتسبب في فقدان السيطرة على الجهاز.

الأمان الكهربائي

يجب أن تكون قوابس العدد الكهربائية متلائمة مع المقابس. لا يجوز تعديل القابس بأي صورة من الصور. لا تستعمل القوابس المهيأة مع العدد الكهربائية المؤرصة (ذات طرف أرضي). تقلل القوابس التي لم يتم تعديلها والمقابس الملائمة من خطر الصدمات الكهربائية.

تجنب ملامسة جسمك للأسطح المؤرصة كالأنابيب والمبردات والمواقد أو الثلجات. يزداد خطر الصدمات الكهربائية عندما يكون جسمك مؤرر أو موصل بالأرضي.

أبعد العدد الكهربائية عن الأمطار أو الرطوبة. يزداد خطر الصدمات الكهربائية إن تسرب الماء إلى داخل العدة الكهربائية.

لا تسئ استعمال الكابل. لا تستخدم الكابل في حمل العدة الكهربائية أو سحبها أو سحب القابس من المقبس. احرص على إبعاد الكابل عن الحرارة والزيت والحواف الحادة أو الأجزاء المتحركة. تزيد الكابلات التالفة أو المتشابكة من خطر الصدمات الكهربائية.

عند استخدام العدة الكهربائية خارج المنزل اقتصر على استخدام كابلات التمديد الصالحة للاستعمال في الأماكن المكشوفة. يقلل

- الإجراءات وقائية من خطر تشغيل العدة الكهربائية بشكل غير مقصود.
- احتفظ بالعدد الكهربائي التي لا يتم استخدامها بعيدا عن متناول الأطفال. لا تسمح باستخدام العدة الكهربائية لمن لا خبرة له بها أو لمن لم يقرأ تلك التعليمات. العدد الكهربائي خطيرة إن تم استخدامها من قبل أشخاص دون خبرة.
- احرص على صيانة العدد الكهربائي. تأكد أن أجزاء الجهاز المتحركة مركبة بشكل سليم وغير مستعصبة المركبة، وتفحص ما إن كانت هناك أجزاء مكسورة أو في حالة تؤثر على سلامة أداء العدة الكهربائي. ينبغي إصلاح هذه الأجزاء التالفة قبل إعادة التشغيل الجهاز. الكثير من الحوادث مصدرها العدد الكهربائي التي تتم صيانتها بشكل رديء.
- احرص على إبقاء عدد القطع نظيفة وحادة. إن عدد القطع ذات حواف القطع المادة التي تم صيانتها بعناية تتكلم بشكل أقل ويمكن توجيهها بشكل أيسر.
- استخدم العدد الكهربائي والتوايح وريش الشغل إلخ. وفقا لهذه التعليمات. تراعى أثناء ذلك ظروف الشغل والعمل المراد تنفيذ. استخدام العدد الكهربائي لغير الأعمال المخصصة لأجلها قد يؤدي إلى حدوث الحالات الخطيرة.
- الخدمة**
- احرص على إصلاح عدتك الكهربائية فقط بواسطة الفنيين المتخصصين وباستعمال قطع الغيار الأصلية فقط. يضمن ذلك المحافظة على أمان الجهاز.
- إرشادات السلامة المتعلقة بجميع الاستخدامات**
- تحذيرات الأمان العامة لأعمال التليخ والنحت
- هذه العدة الكهربية مخصصة للاستخدام كملحقة أو أداة سنفرة أو نحت. اطلع على كافة تحذيرات الأمان والتعليمات والصور والمواصفات المرفقة بالعدة الكهربائية. عدم اتباع التعليمات الواردة أدناه قد يؤدي إلى حدوث صدمة كهربائية أو نشوب حريق أو الإصابة بجروح خطيرة.
- لا ينصح باستخدام هذه العدة الكهربائية في أعمال السنفرة أو التنظيف بالفرشاة السلكية أو الصقل أو القطع. قد يتسبب استخدام العدة الكهربائية في أعمال لم تصمم من أجلها في حدوث خطورة وإصابات.
- لا تستخدم الملحقات التي لم تصممها الجهة الصانعة للعدة أو توصي بها. لا تعني إمكانية تركيب ملحق بالعدة الكهربائية ضمان تشغيله بشكل آمن.
- يجب أن تتساوي السرعة الاسمية للملحقات الجلج على الأقل مع السرعة القصوى المدونة على العدة الكهربائية. ملحقات الجلج التي تدور بسرعة أعلى من سرعتها الاسمية يمكن أن تنكسر وتطير بعيدا.
- يجب أن يكون القطر الخارجي للملحقة وسمكها في إطار المقاسات المسموح بها
- لعدتك الكهربائية. فالمملقات ذات المقاسات غير الصحيحة لا يمكن التمسك فيها على نحو مناسب.
- يجب أن يناسب مقاس التجويف الأوسط للأقراص وأسطوانات السنفرة وأي من الملحقات الأخرى التركيب في محور دوران العدة الكهربائية ولمقمة التثبيت الخاصة بها. المملقات التي لا تناسب أجزاء تركيب العدة الكهربائية ستعرض لفقدان الاتزان والاهتزاز بشكل زائد وقد تتسبب في فقدان التحكم.
- الأقراص وأسطوانات السنفرة أو أدوات القطع أو الملحقات الأخرى المثبتة بالبريمة يجب إدخالها بالكامل في ملقمة التثبيت أو الظرف. إذا لم يتم تثبيت البريمة بشكل كافٍ و/أو وكان بروز القرص أطول من اللازم فقد ينفك القرص المركب ويتم قذفه بسرعة كبيرة.
- لا تستخدم ملحق به ضرر. قبل كل استخدام قم بفحص الملحق مثل قرص التليخ من حيث وجود قطع مكسورة أو تشققات وأسطوانة السنفرة من حيث وجود تشققات أو اهتزاز أو تآكل شديد والفرشاة السلكية من حيث وجود أسلاك سائبة أو مكسورة. في حالة تعرض العدة الكهربائية أو الملحق للسطوح اقمصهما من حيث وجود أضرار، وقم بتركيب ملحق سليم. بعد فحص الملحق وتركيبه ابتعد أنت ومن حولك عن سطح الملحق الدوار، وقم بتشغيل العدة الكهربائية على أقصى سرعة دون حمل لمدة دقيقة واحدة. ستفصل الملحقات التي يوجد بها أضرار أثناء وقت الاختبار هذا.
- احرص على ارتداء تجهيزات الحماية الشخصية. تبعا لطبيعة الاستخدام قم بارتداء واقية وجه أو واقية للعينين أو نظارة واقية. وعند الحاجة قم بارتداء قناع واق من الغبار وواقيات للأذن وقفازات وسترة واقية قادرة على صد بقايا الكشط الصغيرة وشظايا قطعة الشغل. يجب أن تكون واقية العينين قادرة على صد الشظايا المتطايرة الناتجة عن الأعمال المختلفة. يجب أن يكون قناع الغبار أو الكمامة قادرين على حجز الجزيئات الصغيرة الناتجة عن عملك. التعرض إلى الضوضاء العالية لفترات طويلة قد يتسبب في فقدان القدرة على السمع.
- أبعد الموجودين حولك بمسافة أمان كافية عن مكان العمل. لا بد أن يرتدي أي شخص يدخل مكان العمل تجهيزات الحماية الشخصية. قد تطاير شظايا من قطعة الشغل أو الملحق المنكسر بعيدا خارج النطاق القريب من مكان العمل لتسبب إصابات.
- أمسك العدة الكهربائية من أسطح المسك المعزولة فقط عند القيام بأعمال قد يترتب عليها ملامسة ملحق القطع لأسلاك كهربائية غير ظاهرة أو للسلك الخاص بالعدة نفسها. ملامسة ملحق القطع لسلك «مكهرب» قد يتسبب في مرور التيار في الأجزاء المعدنية من العدة وجعلها «مكهربة» مما قد يصيب المشغل بصدمة كهربائية.
- أمسك العدة دائما بقوة بيديك أثناء بدء التشغيل. يمكن أن يتسبب رد فعل العزم الخاص

- الإجراءات وقائية من خطر تشغيل العدة الكهربائية بشكل غير مقصود.
- احتفظ بالعدد الكهربائي التي لا يتم استخدامها بعيدا عن متناول الأطفال. لا تسمح باستخدام العدة الكهربائية لمن لا خبرة له بها أو لمن لم يقرأ تلك التعليمات. العدد الكهربائي خطيرة إن تم استخدامها من قبل أشخاص دون خبرة.
- احرص على صيانة العدد الكهربائي. تأكد أن أجزاء الجهاز المتحركة مركبة بشكل سليم وغير مستعصبة المركبة، وتفحص ما إن كانت هناك أجزاء مكسورة أو في حالة تؤثر على سلامة أداء العدة الكهربائي. ينبغي إصلاح هذه الأجزاء التالفة قبل إعادة التشغيل الجهاز. الكثير من الحوادث مصدرها العدد الكهربائي التي تتم صيانتها بشكل رديء.
- احرص على إبقاء عدد القطع نظيفة وحادة. إن عدد القطع ذات حواف القطع المادة التي تم صيانتها بعناية تتكلم بشكل أقل ويمكن توجيهها بشكل أيسر.
- استخدم العدد الكهربائي والتوايح وريش الشغل إلخ. وفقا لهذه التعليمات. تراعى أثناء ذلك ظروف الشغل والعمل المراد تنفيذ. استخدام العدد الكهربائي لغير الأعمال المخصصة لأجلها قد يؤدي إلى حدوث الحالات الخطيرة.
- الخدمة**
- احرص على إصلاح عدتك الكهربائية فقط بواسطة الفنيين المتخصصين وباستعمال قطع الغيار الأصلية فقط. يضمن ذلك المحافظة على أمان الجهاز.
- إرشادات السلامة المتعلقة بجميع الاستخدامات**
- تحذيرات الأمان العامة لأعمال التليخ والنحت
- هذه العدة الكهربية مخصصة للاستخدام كملحقة أو أداة سنفرة أو نحت. اطلع على كافة تحذيرات الأمان والتعليمات والصور والمواصفات المرفقة بالعدة الكهربائية. عدم اتباع التعليمات الواردة أدناه قد يؤدي إلى حدوث صدمة كهربائية أو نشوب حريق أو الإصابة بجروح خطيرة.
- لا ينصح باستخدام هذه العدة الكهربائية في أعمال السنفرة أو التنظيف بالفرشاة السلكية أو الصقل أو القطع. قد يتسبب استخدام العدة الكهربائية في أعمال لم تصمم من أجلها في حدوث خطورة وإصابات.
- لا تستخدم الملحقات التي لم تصممها الجهة الصانعة للعدة أو توصي بها. لا تعني إمكانية تركيب ملحق بالعدة الكهربائية ضمان تشغيله بشكل آمن.
- يجب أن تتساوي السرعة الاسمية للملحقات الجلج على الأقل مع السرعة القصوى المدونة على العدة الكهربائية. ملحقات الجلج التي تدور بسرعة أعلى من سرعتها الاسمية يمكن أن تنكسر وتطير بعيدا.
- يجب أن يكون القطر الخارجي للملحقة وسمكها في إطار المقاسات المسموح بها

- ◀ **احرص دائما على إحكام مسك العدة الكهربائية، وعلى وضعية جسم وذراع تتبع لك مقاومة القوى الارتدادية.** يمكن للمشغل التحكم في القوى الارتدادية في حالة اتخاذه الاحتياطات المناسبة.
- ◀ **توخ الحرص الشديد عن العمل في الأركان وعند الحواف الحادة وما شابه. تجنب تعريض الملقق للارتداد أو الانكسار.** تتسبب الأركان والحواف الحادة والارتداد في ميل القرص الدوار للانكسار، وبالتالي يتم فقدان السيطرة عليها أو تحدث الصدمة الارتدادية.
- ◀ **لا تقم بإلحاق شفرة منشار مسننة بالعدة.** تتسبب هذه الشفرات في حدوث صدمات ارتدادية متعددة وفي فقدان السيطرة.
- ◀ **قم دائما بإدخال ريش الشغل في نفس اتجاه وجود حافة القطع بالنسبة للخامة (وهو نفس اتجاه تطاير القطع المكسورة).** يتسبب إدخال العدة في اتجاه خاطئ في خروج حافة القطع بريش الثقب من نطاق العمل وسحب العدة في اتجاه الإدخال.
- ◀ **عند استخدام مسجل دوار أو قاطعات تدور بسرعة كبيرة أو قاطعات كريد التنجستين، احرص على تثبيت قطعة الشغل بشكل جيد.** ستعثر هذه الأقراص الدوارة بمجرد تعرضها للإعاقة في الحز، مما يتسبب في صدمة ارتدادية. عند تعثر المسجل الدوار، أو القاطعات التي تدور بسرعة كبيرة أو قاطعات كريد التنجستين، فقد يقفر من الزحف وتفقد السيطرة على العدة.
- تحذيرات الأمان الخاصة بعمليات التجليخ والقطع السحجي**
 - ◀ **استخدم أنواع الأقراص الموصي بها لعدتك الكهربائية فقط ولأغراض الاستخدام الموصي بها فقط.** على سبيل المثال: لا تقم بعملية الجليخ باستخدام جانب قرص القطع. أقراص القطع الكاشطة مخصصة للجليخ السطحي، وقد تتسبب القوى الجانبية المؤثرة على الأقراص في انكسارها.
 - ◀ **لمخاريط التجليخ المسننة والسدادات استخدم فقط بريمات أقراص غير تالفة بحواف غير مستوية والتي تكون في المقاس والطول المناسبين.** تقلل البريمات الصحيحة من إمكانية التخطم.
 - ◀ **تجنب تعريض قرص القطع «للانحسار» أو الضغط الزائد.** لا تحاول زيادة عمق القطع أكثر من اللازم. التحميل الشديد على قرص القطع يتسبب في إجهاده وتعرضه للالتواء أو التعثر أثناء القطع، مما يتسبب في حدوث صدمة ارتدادية أو يعرضه للانكسار.
 - ◀ **لا تجعل يدك على خط واحد مع القرص الدوار أمامه أو خلفه.** عندما يتحرك القرص، عند بدء التشغيل، مبعدا عن يدك، فقد تتسبب الصدمة الارتدادية المحتملة في اندفاع القرص الدوار والعدة الكهربائية باتجاهك مباشرة.
 - ◀ **في حالة تعرض القرص للتعثر أو للإعاقة أو في حالة إيقافك لعملية القطع لأي سبب من الأسباب قم بإيقاف العدة الكهربائية، وحافظ على ثبات العدة الكهربائية إلى أن يتوقف**

- بالمحرك أثناء التسارع للسرعة القصوى في انحراف العدة.
- ◀ **استخدم قاطعات لتثبيت قطعة الشغل إن أمكن ذلك.** لا تمسك قطعة شغل صغيرة بيد واحدة والعدة باليد الأخرى أثناء الاستخدام. تثبيت قطعة الشغل الصغيرة يسمح لك بالتحكم في العدة بيدك (بيديك). تميل المواد المستديرة مثل قضبان التثبيت والمواسير أو الأنابيب للتدحرج أثناء قطعها وهذا قد يسبب إعاقة بسيطة في الحركة أو قد تطير في اتجاهك.
- ◀ **ضع السلك بعيدا عن الملقق الدوار.** في حالة فقدان السيطرة قد يتعرض السلك للانقطاع أو التمزق، وقد تنجذب يدك أو ذراعك إلى الملقق الدوار.
- ◀ **لا تضع العدة الكهربائية على الأرض قبل أن يتوقف الملقق تماما.** فقد يلامس الملقق الدوار سطح الأرضية ويجذب العدة الكهربائية فتخرج عن سيطرتك.
- ◀ **بعد تغيير ريش العمل أو إجراء أيه تعديلات تأكد من أن صامولة ملقمة التثبيت والظرف أو أجهزة الضبط الأخرى مربوطة بشكل آمن.** يمكن أن تتحرك أجهزة الضبط السائبة بشكل غير متوقع، وتتسبب في فقدان السيطرة، وتطاير الأجزاء الدوارة السائبة باندفاع.
- ◀ **لا تقم بتشغيل العدة الكهربائية أثناء حملها في نفس اتجاهك.** قد يؤدي التلامس غير المقصود مع القرص الدوار إلى انشباكك في ملابسك، مما يؤدي إلى جذب الملقق نحو جسمك.
- ◀ **احرص على تنظيف فتحات تهوية العدة الكهربائية بانتظام.** ستسحب مروحة الموتور الغبار إلى داخل جسم العدة الكهربائية مما يتسبب في تراكم كبير للمسحوق المعدني الأمر الذي قد يؤدي إلى مخاطر كهربائية.
- ◀ **لا تقم بتشغيل العدة الكهربائية بجوار خامات قابلة للاشتعال.** فقد يتسبب الشرر في اشتعال هذه المواد.
- ◀ **لا تستخدم ملققات تتطلب سوائل تبريد.** فاستخدام الماء أو سوائل التبريد قد يتسبب في التعرض للصعق أو الصدمة الكهربائية.
- الصدمة الارتدادية والتحذيرات المتعلقة بها**

الصدمة الارتدادية هي رد فعل مفاجئ لتعثر أو إعاقة قرص دوار أو بكرة سنفرة أو فرشاة أو أي ملقمة أخرى. التعثر أو الإعاقة يتسببا في التوقف المفاجئ لأداة الشغل الدوارة، مما يتسبب في ارتداد العدة الكهربائية بشكل خارج عن السيطرة في اتجاه معاكس لاتجاه دوران أداة الشغل.

على سبيل المثال، إذا تعرض قرص تجليخ للتعثر أو الإعاقة في قطعة الشغل فقد تخطس حافة القرص المواجهة لنقطة التعثر في قطعة الشغل، مما يتسبب في انكسار القرص أو في الصدمة الارتدادية. وقد يطير القرص في اتجاه المشغل أو بعيدا عنه تبعا لاتجاه حركة القرص بالنسبة لنقطة التعثر. وقد تتسبب هذه الظروف في انكسار قرص التجليخ.

تعتبر الصدمة الارتدادية نتيجة للاستخدام الخاطئ للعدة الكهربائية وأول لخطوات تشغيل غير صحيحة أو لظروف غير ملائمة، ويمكن تجنبها عن طريق أخذ الاحتياطات المناسبة المبينة أدناه.

◀ العدة الكهربائية غير مناسبة للتشغيل من قاعدة ثابتة. فلا يجوز على سبيل المثال الشد بملزمة أو التثبيت على طاولة عمل.

وصف المنتج والأداء

اقرأ جميع إرشادات الأمان والتعليمات. ارتكاب الأخطاء عند تطبيق إرشادات الأمان والتعليمات، قد يؤدي إلى حدوث صدمات كهربائية أو إلى نشوب الحرائق و/أو الإصابة بجروح خطيرة.



يرجى الرجوع إلى الصور الموجودة في الجزء الأول من دليل التشغيل.

الاستعمال المطابق للتعليمات

لقد خصصت العدة الكهربائية لجلخ وتمليس المعادن بواسطة عدد الجلخ الياقوتية وأيضاً للعمل بواسطة عجلات سيور الجلخ.

الأجزاء المصورة

يشير ترقيم الأجزاء المصورة إلى رسوم العدة الكهربائية الموجودة في صفحة الرسوم التخطيطية.

- (1) الطرف الطوقي
- (2) صامولة الشد
- (3) محور دوران الجلاخة
- (4) رقية محور الدوران
- (5) مفتاح التشغيل والإطفاء
- (6) مقبض (مقبض مسك معزول)
- (7) رقية الحماية
- (8) خابور تثبيت^a
- (9) عرض المفتاح الهلالي 17 مم^a
- (10) القطر الداخلي للعمود L
- (11) ساق التثبيت

a لا يتضمن إطار التوريد الاعتيادي التوابع المصورة أو المشروحة. تجد التوابع الكاملة في برنامجنا للتوابع.

القرص تماما. لا تحاول أبداً جذب قرص القطع من قطعة الشغل أثناء دوران القرص وإلا فقد تتعرض لصدمة ارتدادية. ابحث عن السبب وقم بإجراء تصحيحي لإزالة سبب تعرض القرص للتعثر أو للإعاقة.

◀ لا تواصل تشغيل عملية القطع بينما القرص داخل قطعة الشغل. دع القرص يصل إلى سرعته الكاملة، وأدخله في قطعة الشغل بحرص مرة أخرى. قد يتعرض القرص للإعاقة أو يتحرك لأعلى أو يسبب صدمة ارتدادية في حالة إعادة تشغيل العدة الكهربائية بينما القرص داخل قطعة الشغل.

◀ احرص على سند الألوام أو أي قطعة شغل كبيرة لتقليل مخاطر تعثر القرص أو الصدمة الارتدادية. تميل قطع الشغل الكبيرة للهبوط نتيجة لوزنها الكبير. يجب وضع سنادات أسفل قطعة الشغل بالقرب من خط القطع، وبالقرب من حافة قطعة الشغل على جانبي القرص.

◀ تصرف بحرص شديد عند القيام بأعمال «قطع غاطس» في الجدران أو النطاقات التي لا يمكنك رؤية ما وراءها بوضوح. فقد يتسبب توغل قرص القطع في قطع مواسير الغاز أو مواسير المياه أو الأسلاك الكهربائية أو أشياء قد تتسبب في حدوث صدمة ارتدادية.

إرشادات الأمان الإضافية

- ◀ لا تمسك أقراص السنفرة قبل أن تبرد. تطراً على الأقراص درجات حرارة عالية أثناء العمل.
- ◀ استخدم أجهزة تنقيب ملائمة للعثور على خطوط الامداد غير الظاهرة، أو استعن بشركة الامداد المحلية. ملامسة الخطوط الكهربائية قد تؤدي إلى اندلاع النار وإلى الصدمات الكهربائية. حدوث أضرار بخط الغاز قد يؤدي إلى حدوث انفجارات. اختراق خط الماء يشكل الأضرار المادية أو قد يؤدي إلى الصدمات الكهربائية.
- ◀ احرص على تأمين قطعة الشغل. قطعة الشغل المثبتة بواسطة تجهيزة شد أو بواسطة الملزمة مثبتة بأمان أكبر مما لو تم الإمساك بها بواسطة يدك.

البيانات الفنية

GG5 5000 L	GG5 5000	جلاخة مستقيمة
3 601 B24 1..	3 601 B23 0..	رقم الصنف
550	500	قدرة الدخل الاسمية
33000	33000	عدد اللفات الاسمي
8	8	قطر الطرف الطوقي الأقصى
41	43,5	قطر عنق محور الدوران
30	30	سمك أقراص الجلخ الأقصى
25	25	قطر أقراص الجلخ الأقصى
10	10	المد الأقصى للقطر الداخلي للعمود L
35	35	الطول الأقصى لساق التثبيت
1,4	1,0	الوزن حسب EPTA-Procedure 01:2014
II / □	II / □	فئة الحماية

تسري البيانات على جهد اسمي [U] يبلغ 230 فولت. قد تختلف تلك البيانات حسب اختلاف الجهد والطرزات الخاصة بكل دولة.

◀ لا تستخدم سنون الجلج إلا مع عمود ذو قطر مناسب. لا يمكن تثبيت سن الجلج الذي لا يطابق قطر العمود مع حاضن عدد العدة الكهربائية (انظر "البيانات الفنية") بشكل صحيح، والذي قد يؤدي إلى إتلاف الطرف الطوقي.

شفط الغبار/النشارة

إن أغبرة بعض المواد كإطلاء الذي يحتوي على الرصاص، وبعض أنواع الخشب والفولاذ والمعادن، قد تكون مضرّة بالصحة. إن ملامسة أو استنشاق الأغبرة قد يؤدي إلى ردود فعل زائدة الحساسية و/أو إلى أمراض المجاري التنفسية لدى المستخدم أو لدى الأشخاص المتواجدين على مقربة من المكان. تعتبر بعض الأغبرة المعينة، كأغبرة البلوط والزنان من مسببات السرطان، وبالأخص عند اتصالها بالمواد الإضافية الخاصة بمعالجة الخشب (ملع حامض الكروميك، المواد الحافظة للخشب). يجوز أن يتم معالجة المواد التي تمتوي على الأسبستوس من قبل العمال المتخصصين فقط دون غيرهم.

– حافظ على تهوية مكان الشغل بشكل جيد.
– ينصح بارتداء قناع وقاية للتنفس من فئة المرشح P2.

تراجع الأحكام السارية في بلدكم بالنسبة للمواد المرغوب معالجتها.

◀ تجنب تراكم الغبار بمكان العمل. يجوز أن تشتعل الأغبرة بسهولة.

التشغيل

التشغيل

◀ يراعى جهد الشبكة الكهربائية! يجب أن يتطابق جهد منبع التيار مع البيانات المذكورة على لوحة صنع العدة الكهربائية. يمكن أن يتم تشغيل العدد الكهربائية المميزة بعلامة 230 فلت في مقبس 220 فلت أيضاً.

◀ تأكد قبل كل استخدام من أن الطرف الطوقي (1) وصامولة الشد (2) ليست بهما أضرار ظاهرة.

التشغيل والإطفاء

لغرض تشغيل العدة الكهربائية حرك مفتاح التشغيل والإطفاء (5) إلى الأمام.

لغرض تثبيت مفتاح التشغيل والإطفاء (5) اضغط على مفتاح التشغيل والإطفاء (5) الأمامي للأسفل إلى أن يثبت.

لغرض إطفاء العدة الكهربائية، اترك مفتاح التشغيل والإطفاء (5) أو إذا كان مثبتاً، اضغط على مفتاح التشغيل والإطفاء (5) الخلفي للأسفل لوهولة قصيرة، ثم اتركه.

إرشادات العمل

◀ اسحب القابض من مقبس الشبكة الكهربائية قبل إجراء أي عمل على العدة الكهربائية.

◀ لا تقم بالتحميل على العدة الكهربائية بشكل كبير يتسبب في توقفها.

التركيب

◀ اسحب القابض من مقبس الشبكة الكهربائية قبل إجراء أي عمل على العدة الكهربائية.

◀ يجب أن تكون عد الشغل مشدودة بمقدار 10 مم. مع القطر الداخلي للعمود لا يمكن احتساب عدد اللفات الأقصى المسموح به لعدة الشغل من بيانات الجهة الصانعة لعدة الشغل. يجب أن يكون ذلك أقل من عدد اللفات الأقصى للعدة الكهربائية.

تركيب عدد التجليخ (انظر الصورة A)

(GGS 5000)

– قم بتنظيف محور دوران الجلاخة (3) وجمع الأجزاء المراد تركيبها.

– أدر محور دوران الجلاخة (3) إلى أن تتم محاذاة محور دوران الجلاخة (3) والفجوات في جسم الجهاز. أدخل خابور التثبيت (8) خلال الفجوات بجسم الجهاز وتجويف محور دوران الجلاخة (3).

– قم ببل صامولة الشد (2) باستخدام المفتاح الهلالي (9) (مقاس المفتاح 17 مم) من خلال إدارتها عكس اتجاه حركة عقارب الساعة.

– أدخل عمود شد قرص الجلج حتى النهاية في الطرف الطوقي (1).

– أحكم ربط صامولة الشد (2) باستخدام المفتاح الهلالي (9) (مقاس المفتاح 17 مم) من خلال إدارتها في اتجاه حركة عقارب الساعة.

– يجب أن تدور أقراص الجلج بشكل دائري وسليم. لا تتابع استخدام أقراص الجلج غير الدائرية، ولكن استبدلها.

◀ لا تقم أبداً بإحكام ربط الطرف الطوقي مع صامولة الشد طالما أن قرص الجلج غير مركب. وإلا فقد يتعرض الطرف الطوقي للضرر.

تركيب عدد التجليخ (انظر الصورة B)

(GGS 5000 L)

– قم بتنظيف محور دوران الجلاخة (3) وجمع الأجزاء المراد تركيبها.

– قم بتثبيت محور دوران الجلاخة (3) باستخدام مفتاح هلالي (9) على السطح المخصص للمفتاح.

– قم ببل صامولة الشد (2) باستخدام مفتاح هلالي (9) على السطح المخصص للمفتاح من خلال إدارتها عكس اتجاه عقارب الساعة.

– أدخل عمود شد قرص الجلج حتى النهاية في الطرف الطوقي (1).

– قم بتثبيت محور دوران الجلاخة (3) باستخدام المفتاح الهلالي (9) وأحكم شد عدة الشغل باستخدام المفتاح الهلالي (9) على السطح المخصص للمفتاح من خلال إدارتها في اتجاه عقارب الساعة.

– يجب أن تدور أقراص الجلج بشكل دائري وسليم. لا تتابع استخدام أقراص الجلج غير الدائرية، ولكن استبدلها.

◀ لا تقم أبداً بإحكام ربط الطرف الطوقي مع صامولة الشد طالما أن قرص الجلج غير مركب. وإلا فقد يتعرض الطرف الطوقي للضرر.

لا ترم عدد الكهربية ضمن النفايات المنزلية.



- ◀ بعد تحميل العدة الكهربية بشكل شديد قم بتشغيلها لعدة دقائق على وضع اللاحمل من أجل تبريدها.
- ◀ تطراً على أقراص الجلج درجات حرارة عالية أثناء العمل. لا تمسكها قبل أن تبرد.
- ◀ احرص على حماية أدوات الجلج من الارتطامات.

حرك قرص الجلج بضغط خفيف جيئةً وذهاباً بانتظام للوصول إلى نتيجة عمل مثالية. يقلل الضغط الزائد من كفاءة العدة الكهربية ويؤدي إلى زيادة سرعة تآكل أداة التجليخ.

الصيانة والخدمة

الصيانة والتنظيف

- ◀ اسحب القابس من مقبس الشبكة الكهربية قبل إجراء أي عمل على العدة الكهربية.
- ◀ للعمل بشكل جيد وأمن حافظ دائماً على نظافة العدة الكهربية وفتحات التهوية.
- ◀ احرص دائماً على استخدام وحدة شفط في ظروف العمل القاسية قدر الإمكان. قم بتنظيف فتحات التهوية عن طريق نفخ الهواء عدة مرات، و قم بتوصيل مفتاح للوقاية من التيار المتخلف (PRCD) بشكل مسبق. قد يترسب الغبار الموصل للكهرباء داخل العدة الكهربية عند معالجة المعادن. قد يضر ذلك بعزل العدة الكهربية.
- ◀ إذا تطلب الأمر استبدال خط الإمداد، فينبغي أن يتم ذلك من قبل شركة Bosch أو من قبل مركز خدمة الزبائن المعتمد لشركة Bosch للعدد الكهربية، لتجنب التعرض للمخاطر.
- ◀ قم بتخزين التوابع وتعامل معها بعناية.

خدمة العملاء واستشارات الاستخدام

يجيب مركز خدمة العملاء على الأسئلة المتعلقة بإصلاح المنتج وصيانته، بالإضافة لقطع الغيار. تجد الرسوم التفصيلية والمعلومات الخاصة بقطع الغيار في الموقع: www.bosch-pt.com
يسر فريق Bosch لاستشارات الاستخدام مساعدتك إذا كان لديك أي استفسارات بخصوص منتجاتنا وملحقاتها.
يلزم ذكر رقم الصنف ذو الخانات العشر وفقاً للوحة صنع المنتج عند إرسال أية استفسارات أو طلبيات قطع غيار.

المغرب

Robert Bosch Morocco SARL
53، شارع الملازم محمد محروود
20300 الدار البيضاء
الهاتف: +212 5 29 31 43 27
البريد الإلكتروني: sav.outillage@ma.bosch.com

تجد المزيد من عناوين الخدمة تحت:

www.bosch-pt.com/serviceaddresses

التخلص من العدة الكهربية

ينبغي تسليم عدد الكهربية والتوابع والعبوة إلى مركز معالجة النفايات بطريقة محافظة على البيئة.

برای محیط باز، خطر برق گرفتگی را کاهش میدهند.

◀ در صورت لزوم به کار با ابزار برقی در محیط و اماکن مرطوب، باید از یک کلید حفاظتی جریان خطا و نشستی زمین (کلید قطع کننده اتصال با زمین) استفاده شود. استفاده از کلید حفاظتی جریان خطا و نشستی زمین خطر برق گرفتگی را کاهش میدهد.

رعایت ایمنی شخصی

◀ حواس خود را خوب جمع کنید، به کار خود دقت کنید و با فکر و هوشیاری کامل با ابزار برقی کار کنید. در صورت خستگی و یا در صورتی که از مواد مخدر، الکل و دارو استفاده کرده‌اید، با ابزار برقی کار نکنید. یک لحظه بی توجهی هنگام کار با ابزار برقی، میتواند جراحات های شدیدی به همراه داشته باشد.

◀ از تجهیزات ایمنی شخصی استفاده کنید. همواره از عینک ایمنی استفاده نمایید. استفاده از تجهیزات ایمنی مانند ماسک ایمنی، کفشهای ایمنی ضد لغزش، کلاه ایمنی و گوشی ایمنی متناسب با نوع کار، خطر مجروح شدن را کاهش میدهد.

◀ مواظب باشید که ابزار برقی بطور ناخواسته بکار نیفتد. قبل از وارد کردن دوشاخه دستگاه در پریز برق، اتصال آن به باتری و برداشتن یا حمل دستگاه، دقت کنید که ابزار برقی خاموش باشد. در صورتی که هنگام حمل دستگاه انگشت شما روی دکمه قطع و وصل باشد و یا دستگاه را در حالت روشن به برق بزنید، ممکن است سوانع کاری پیش آید.

◀ قبل از روشن کردن ابزار برقی، همه ابزارهای تنظیم کننده و آپارها را از روی دستگاه بردارید. ابزار و آپارهایی که روی بخشهای چرخنده دستگاه قرار دارند، میتوانند باعث ایجاد جراحات شوند.

◀ وضعیت بدن شما باید در حالت عادی قرار داشته باشد. برای کار جای مطمئنی برای خود انتخاب کرده و تعادل خود را همواره حفظ کنید. به این ترتیب میتوانید ابزار برقی را در وضعیتهای غیر منتظره بهتر تحت کنترل داشته باشید.

◀ لباس مناسب بپوشید. از پوشیدن لباسهای گشاد و حمل زینت آلات خودداری کنید. موها، لباس و دستکشها را از بخشهای در حال چرخش دستگاه دور نگه دارید. لباسهای گشاد، موی بلند و زینت آلات ممکن است در قسمتهای در حال چرخش دستگاه گیر کنند.

◀ در صورتی که تجهیزاتی برای اتصال وسائل مکش گرد و غبار و یا وسیله جمع کننده گرد و غبار ارائه شده است، باید مطمئن شوید که این وسائل درست نصب و استفاده می شوند. استفاده از وسائل مکش گرد و غبار مصونیت شما را در برابر گرد و غبار زیادتیر میکند.

◀ استفاده صحیح از ابزار برقی و مراقبت از آن از وارد کردن فشار زیاد روی دستگاه خودداری کنید. برای هر کاری، از ابزار برقی مناسب با آن استفاده کنید. بکار گرفتن ابزار

فارسی

دستورات ایمنی

هشدارهای ایمنی عمومی برای ابزارهای برقی

⚠ هشدار تمامی هشدارهای ایمنی و دستورالعملها را مطالعه کنید.

عدم رعایت هشدارها و دستورالعملها ممکن است باعث برق گرفتگی، سوختگی و یا جراحتهای جدی شود.

کلیه هشدارهای ایمنی و دستورالعملها را برای مراجعات بعدی نگهداری کنید.

عبارت «ابزار برقی» در هشدارها به ابزارهایی که به پریز برق متصل میشوند (با سیم برق) و یا ابزارهای برقی باتری دار (بدون سیم برق) اشاره دارد.

ایمنی محل کار

◀ محیط کار را تمیز و روشن نگه دارید. محیطهای در هم ریخته یا تاریک احتمال بروز حادثه را افزایش میدهند.

◀ ابزار برقی را در محیطهایی که خطر انفجار وجود دارد و حاوی مایعات، گازها و بخارهای محترقه هستند، به کار نگیرید. ابزارهای برقی جرقههایی ایجاد میکنند که میتوانند باعث آتش گرفتن گرد و غبارهای موجود در هوا شوند.

◀ هنگام کار با ابزار برقی، کودکان و سایر افراد را از دستگاه دور نگه دارید. در صورتیکه حواس شما پرت شود، ممکن است کنترل دستگاه از دست شما خارج شود.

ایمنی الکتریکی

◀ دوشاخه ابزار برقی باید با پریز برق تناسب داشته باشد. هیچگونه تغییری در دوشاخه ایجاد نکنید. برای ابزارهای برقی دارای اتصال زمین (ارت)، از هیچگونه مبدل دو شاخه استفاده نکنید. دوشاخه‌های اصل و تغییر داده نشده و پریزهای مناسب، خطر برق گرفتگی را کاهش میدهند.

◀ از تماس بدن با قطعات متصل به سیم اتصال زمین مانند لوله، شوفاژ، اجاق برقی و یخچال خودداری کنید. در صورت تماس بدنی با سطوح و قطعات دارای اتصال به زمین و همچنین تماس شما با زمین، خطر برق گرفتگی افزایش می یابد.

◀ ابزارهای برقی را در معرض باران و رطوبت قرار ندهید. نفوذ آب به ابزار برقی، خطر شوک الکتریکی را افزایش میدهد.

◀ از سیم دستگاه برای مقاصد دیگر استفاده نکنید. هرگز برای حمل ابزار برقی، کشیدن آن یا خارج کردن دوشاخه از سیم دستگاه استفاده نکنید. کابل دستگاه را از حرارت، روغن، لبه‌های تیز یا قطعات متحرک دور نگه دارید. کابلهای آسیب دیده و یا گره خورده خطر شوک الکتریکی را افزایش میدهند.

◀ هنگام استفاده از ابزار برقی در محیطهای باز، تنها از کابل رابطی استفاده کنید که برای محیط باز نیز مناسب باشد. کابلهای رابط مناسب

◀ **از ابزار و متعلقاتی که توسط سازنده طراحی و از سوی آنان تأیید نشده باشند، خودداری کنید.** تنها به این دلیل که یکی از متعلقات بر روی ابزار برقی شما میتواند نصب شود، ایمنی هنگام کار را تضمین نمیکند.

◀ **میزان تحمل سرعت مجاز متعلقات سایش و برش باید حداقل معادل یا حداکثر سرعت تعیین شده بر روی ابزار برقی باشد.** ابزار و متعلقات سایشی که سریعتر از حد مجاز میچرخند، ممکن است بشکنند و به اطراف پرتاب بشوند.

◀ **قطر و ضخامت ابزار و متعلقاتی که بر روی دستگاه قرار میگیرند، باید با اندازه ها و مقادیر قید شده ابزار برقی مطابقت داشته باشند.** ابزار و متعلقات با اندازه های نامتناسب و نادرست نمی توانند به حد کافی تحت حفاظت و قابل کنترل باشند.

◀ **قطر سوراخ صفحه برشها، استوانه های سایش یا هر ابزار و متعلقات دیگر باید کاملاً با قطر محور ابزار برقی یا کولت همخوانی داشته باشند.** متعلقاتی که با تجهیزات نگهدارنده ابزار برقی همخوانی ندارند، بطور نامتعادل میچرخند، به شدت میلرزند و میتوانند باعث از بین رفتن کنترل روی دستگاه شوند.

◀ **صفحات، استوانه های سایش، ابزار های ساینده یا سایر متعلقات نصب شده روی خار بایستی کاملاً در گیره ی مهار یا سه نظام مهار قرار گیرند.** چنانچه خار درست مهار نشده باشد و یا بدنه ابزار سایش بیش از اندازه جلو قرار گرفته باشد، ابزار ممکن است شل و با سرعت زیاد پرت شود.

◀ **از متعلقات آسیب دیده استفاده نکنید.** قبل از هر بار استفاده، متعلقاتی نظیر صفحه های برش سایشی را از نظر ترک خوردگی و شکستگی، استوانه های سایشی را از نظر ترک خوردگی، پارگی یا سایر آسیب های غیر متعارف، برس سیمی را برای سیم های شل یا آسیب دیده کنترل کنید. در صورتی که ابزار برقی یا متعلقات به زمین افتاد، دنبال آسیب دیدگی بگردید یا از متعلقات سالم استفاده نمایید. پس از بررسی و نصب متعلقات، خود و سایر افراد نزدیک به ابزار برقی را از معرض متعلقات در حال چرخش دور نگه دارید و ابزار برقی را به مدت یک دقیقه با حداکثر سرعت در حالت بدون بار، روشن بگذارید. متعلقات آسیب دیده معمولاً هنگام این آزمایش میشکنند.

◀ **از تجهیزات ایمنی و پوشش محافظ شخصی استفاده کنید.** متناسب با نوع کار، از گارد محافظ صورت یا عینک ایمنی استفاده کنید. در صورت لزوم از ماسک ضد غبار، گوشی ایمنی، دستکش ایمنی و یا پیش بند ایمنی مخصوصی که بتواند در مقابل ذرات مواد یا تراشه از شما محافظت کند، استفاده نمایید. محافظ چشمها باید بتواند در مقابل پرتاب براده و تراشه هایی که در هنگام کارهای مختلف تولید میشوند، از چشمان شما محافظت کند. ماسکهای ایمنی ضد غبار یا ماسکهای تنفس باید قادر به فیلتر کردن گرد و غبار ناشی از کار باشند.

برقی مناسب باعث میشود که بتوانید از توان دستگاه بهتر و با اطمینان بیشتر استفاده کنید.

◀ **در صورت ایراد در کلید قطع و وصل ابزار برقی، از دستگاه استفاده نکنید.** هر نوع ابزار برقی که نمی توان آن را با استفاده از کلید قطع و وصل کرد، خطرناک بوده و باید تعمیر شود.

◀ **قبل از تنظیم ابزار برقی، تعویض متعلقات و یا کنار گذاشتن آن، دوشاخه را از برق بکشید و یا باتری آنرا خارج کنید.** رعایت این اقدامات ایمنی پیشگیرانه از روشن شدن ناخواسته ابزار الکتریکی جلوگیری می کند.

◀ **ابزار برقی را در صورت عدم استفاده، از دسترس کودکان دور نگه دارید و اجازه ندهید که افراد ناوارد و یا اشخاصی که این دفترچه راهنما را نخوانده اند، با این دستگاه کار کنند.** قرار گرفتن ابزار برقی در دست افراد ناوارد و بی تجربه خطرناک است.

◀ **از ابزار برقی خوب مراقبت کنید.** مواظب باشید که قسمت های متحرک دستگاه خوب کار کرده و گیر نکنند. همچنین دقت کنید که قطعات ابزار برقی شکسته و یا آسیب دیده نباشند. قطعات آسیب دیده را قبل از شروع به کار تعمیر کنید. علت بسیاری از سوانح کاری، عدم مراقبت کامل از ابزارهای برقی است.

◀ **ابزارهای برش را تیز و تمیز نگه دارید.** ابزار برشی که خوب مراقبت شده و از لبه های تیز برخوردار است، کمتر در قطعه کار گیر کرده و بهتر قابل هدایت است.

◀ **ابزار برقی، متعلقات، متهای دستگاه و غیره را مطابق دستورالعملهای این جزوه راهنما به کار بگیرید و به شرایط کاری و نوع کار نیز توجه داشته باشید.** استفاده از ابزار برقی برای عملیاتی به جز مقاصد در نظر گرفته شده، میتواند به بروز شرایط خطرناک منجر شود.

سرویس

◀ **برای تعمیر ابزار برقی فقط به متخصصین حرفه ای رجوع کنید و از قطعات یدکی اصل استفاده نمایید.** این باعث خواهد شد که ایمنی دستگاه شما تضمین گردد.

نکات ایمنی برای همه کاربردها

هشدارهای ایمنی عمومی برای عملیات سنگ زنی یا تراشکاری

◀ **این ابزار برقی به عنوان سنگ یا ابزار تراش کاری در نظر گرفته شده است.** به کلیه هشدارهای ایمنی، دستورالعمل ها، تصاویر و مشخصات ارائه شده به همراه این ابزار برقی توجه کنید. عدم رعایت دستورالعمل های زیر ممکن است باعث برق گرفتگی، آتش سوزی و/یا جراحت جدی شود.

◀ **انجام عملیاتی مانند ساییدن، کار با برس سیمی، پولیش کاری یا بریدن به وسیله این ابزار برقی توصیه نمیشود.** استفاده از این ابزار برقی در مواردی که برای آن در نظر گرفته نشده است، میتواند خطرات و جراحتهایی به دنبال داشته باشد.

◀ **از به کارگیری ابزار الکتریکی در مجاورت مواد قابل اشتعال خودداری کنید.** چرخهها میتوانند باعث اشتعال این مواد شوند.

◀ **از متعلقاتی که نیاز به سیال خنک کننده دارند استفاده نکنید.** استفاده از آب و یا سایر مواد خنک کننده مایع میتواند موجب بروز برق گرفتگی شود.

پس زدن دستگاه و هشدارهای ایمنی

ضربه زدن یا پس زدن يك واکنش ناگهانی است که در نتیجه گیر کردن و یا بلوکه شدن ابزار و متعلقات در حال چرخش بر روی ابزار برقی، از جمله صفحه ساب یا صفحه سنگ، یا کفی سنباده، برس سیمی و غیره بوجود می آید. بدین ترتیب ابزار برقی از کنترل خارج شده و در خلاف جهت چرخش ابزاری که بر روی آن قرار دارد، شتاب پیدا میکند گیر کردن، انسداد و یا بلوکه شدن منجر به توقف ناگهانی ابزار در حال چرخش روی دستگاه میشود.

به طور مثال در صورتی که یک صفحه ساب در قطعه کار گیر کرده و یا بلوکه شود، امکان دارد لبه صفحه ساب بشکند و یا منجر به ضربه زدن (پس زدن) شود. در این صورت صفحه ساب به طرف کاربر و یا در خلاف جهت او، بسته به جهت چرخش آن در محل بلوکه شده، حرکت میکند. امکان شکستن صفحه های ساب از این طریق نیز وجود دارد.

ضربه زدن (پس زدن) نتیجه استفاده و بکارگیری نادرست از ابزار برقی است. با رعایت اقدامات ایمنی مناسب به شرح زیر میتوان از آن جلوگیری بعمل آورد.

◀ **ابزار برقی را محکم بگیرید و بدن و بازوی خود را به گونهای قرار دهید که قادر به**

کنترل و خنثی کردن نیروهای ضربه زننده

دستگاه باشید. شخص کاربر میتواند با رعایت احتیاط و اقدامات ایمنی مناسب بر نیروهای ضربه زننده تسلط داشته باشد.

◀ **در گوشهها، لبههای تیز و غیره با احتیاط خاص کار کنید.** از در رفتن و خارج شدن ابزار و

متعلقات از داخل قطعه کار و گیر کردن آنها

جلوگیری کنید. امکان گیر کردن ابزار در حال چرخش خصوصاً در گوشهها و لبههای تیز وجود دارد. این امر باعث پس زدن و یا از دست دادن کنترل بر ابزار برقی میشود.

◀ **تیغه ارههای دندانهدار را متصل نکنید.** چنین

ابزارهایی اغلب باعث پس زدن دستگاه و یا از دست دادن کنترل بر ابزار برقی میشوند.

◀ **همیشه سر مته را از همان سمتی که لبه برش**

از سطح مواد خارج میشود روی مواد قرار

دهید (همان سمتی که شکستگیها ایجاد

میشوند). اگر این کار به درستی انجام نشود، لبه برنده سر مته از سطح کار خارج شده و ابزار را به سمت اشتباه میکشاند.

◀ **قطعه کار را هنگام کار با سوهانهای چرخان،**

ابزارهای برش سرعت بالا، ابزارهای برش

تنگستن کاربیدی، همیشه با گیره محکم کنید.

این گونه ابزارها تنها با کمی کج شدن در شیار، گیر میکنند و منجر به ضربه به عقب میشوند. هنگامی

که سوهانهای چرخان، ابزار برش سرعت بالا یا

ابزارهای برش تنگستن کاربیدی گیر کند، ممکن

قرارگیری طولانی مدت در معرض سر و صدای بلند، میتواند باعث تضعیف قدرت شنوایی شود.

◀ **دقت کنید که سایر افراد، فاصله کافی با**

محل کار شما داشته باشند. هر فردی که به

محل کار شما نزدیک میشود، موظف است از

تجهیزات ایمنی و پوشش محافظ شخصی

برخوردار باشد. امکان پرتاب شدن قطعات

شکسته و جدا شده از قطعه کار یا متعلقات

شکسته حتی در خارج از محدوده کار نیز وجود

دارد و میتواند باعث ایجاد جراحات گردد.

◀ **در صورت انجام کارهایی که امکان برخورد با**

کابلهای حامل جریان برق مخفی وجود دارد،

ابزار برقی را فقط از سطوح عایق دسته

بگیرید. در صورت برخورد با یک کابل حامل

"جریان برق" ممکن است قسمتهای فلزی ابزار

برقی حامل "جریان برق" شوند و باعث بروز شوک

الکتریکی یا برق گرفتگی گردند.

◀ **همیشه هنگام شروع به کار ابزار را محکم در**

دستهای خود بگیرید. نیروی گشتاور واکنشی

موتور هنگامی که به بالاترین سرعت خود میرسد،

میتواند باعث خمیده شدن ابزار گردد.

◀ **در صورت امکان از گیرهها برای نگهداشتن**

قطعه کار استفاده کنید. هرگز یک قطعه

کوچک کار را هنگامی که در حال کار است، در

یک دست و ابزار را در دست دیگر نگه ندارید.

با نگهداشتن قطعه کوچک کار توسط گیره، این

امکان فراهم میشود تا از دستها برای کنترل ابزار

استفاده کنید. مواد گرد مانند میلههای فلزی/

پلاستیکی/چوبی، لولهها یا لولهی پلاستیکی معمولاً

هنگام چرخیدن برش داده میشوند، و ممکن است

سر مته گیر کند یا به سمت شما پرتاب شود.

◀ **کابل برق دستگاه را از متعلقات در حال**

چرخش دور نگه دارید. در صورت از دست رفتن

کنترل دستگاه، ممکن است کابل برق قطع شود

در حال چرخش کشیده شود.

◀ **ابزار برقی را تنها پس از توقف کامل ابزار**

روی زمین بگذارید. متعلقات در حال چرخش

میتواند با سطح تماس پیدا کنند و باعث از دست

دادن کنترل روی دستگاه گردد.

◀ **پس از تعویض سر مته یا انجام برخی تنظیمات،**

اطمینان حاصل کنید که کولت، مهره، سه‌نظام

یا هر دستگاه تنظیمکننده دیگری به طور

ایمن محکم شده باشند. اگر دستگاههای

تنظیمکننده شل باشند، ممکن است بهطور

ناگهانی تغییر وضعیت دهند؛ بهطوری که دیگر

کنترلی روی آنها نباشد. قطعات شل و در حال

چرخش با شدت به اطراف پرتاب میشوند.

◀ **هنگام حمل ابزار برقی، دستگاه را خاموش**

نگهدارید. در غیر اینصورت امکان تماس اتفاقی

لباس شما و گیر کردن آن به متعلقات در حال

چرخش روی دستگاه وجود داشته و منجر به

اصابت ابزار به بدن شما میگردد.

◀ **شیارهای تهویه ابزار برقی را به طور مرتب**

تمیز کنید. گرد و غبار میتواند از طریق پروانه

موتور به داخل محفظه وارد شود و تجمع زیاد

براده فلز در آن ممکن است به سوانح و خطرات

الکتریکی منجر گردد.

است از شیار به بیرون پرتاب شوند و کنترل ابزار را از شما خارج شود.

هشدارهای ایمنی مختص عملیات ساییدن و برش سایشی

فقط از صفحه‌های برشهایی استفاده کنید که مناسب ابزار برقی باشند و فقط برای موارد مجاز از آنها استفاده گردد. برای مثال، عملیات سایش را با کناره صفحه‌برش انجام ندهید. صفحه‌های برش برای برداشتن مواد با لبه صفحه مناسب هستند، وارد آوردن فشار جانبی بر روی این صفحه‌ها ممکن است منجر به شکستن آنها شود.

برای مخروطها و شاخه‌های سایشی، فقط از محور سالم صفحه سایشی با فلانژ شانه‌ای که رها نشده باشد و دارای اندازه و طول مناسب باشد، استفاده نمایید. محوره‌های مناسب احتمال شکستگی را کاهش میدهند.

از گیر کردن صفحه‌های برش و یا آوردن فشار بیش از حد به آن‌ها اجتناب کنید. از ایجاد برش‌های خیلی عمیق خودداری کنید. این کارهای اضافی روی صفحه برش فشار می‌آورد و احتمال گیر کردن، بلوکه شدن و در نتیجه پس زدن افزایش می‌یابد.

از قرار گرفتن در جلو و عقب صفحه برش در حال چرخش خودداری کنید. هنگامی که صفحه برش واقع در قطعه کار از دست شما دور میشود، پس زدن احتمالی دستگاه ممکن است باعث شود صفحه در حال چرخش و ابزار برقی مستقیماً با شتاب به سمت شما پرتاب شوند.

چنانچه صفحه برش گیر کند، بلوکه شود یا شما کار را به هر دلیلی متوقف کنید، دستگاه را خاموش کنید و بی حرکت نگهدارید تا صفحه به توقف کامل برسد. هرگز تلاش نکنید صفحه برش در حال چرخش را از محل برش بیرون بکشید، در غیر این صورت امکان پس زدن دستگاه وجود دارد. دلیل گیر کردن را پیدا و رفع کنید.

مجدداً عملیات برش را در قطعه کار شروع نکنید. اجازه دهید صفحه برش به حداکثر سرعت خود برسد و سپس آنرا با احتیاط وارد محل برش نمایید. در صورت راه اندازی مجدد ابزار برقی در داخل قطعه کار، ممکن است صفحه برش گیر کند، بیرون ببرد یا پس بزند.

قطعه‌های کار با ابعاد بزرگ را ثابت و محکم قرار دهید، تا خطر گیر کردن و پس زدن صفحه برش کاهش پیدا کند. امکان خم شدن و تاب برداشتن قطعات بزرگ به دلیل وزن و سنگینی آنها وجود دارد. از اینرو باید در دو طرف قطعه کار، هم در نزدیکی خط برش و هم در نزدیکی لبه قطعه، تکیه‌گاه قرار داده شود.

هنگام ایجاد "برشهای جیبی" (شیار زدن) در دیوار و یا سایر قسمت‌های غیر قابل رؤیت احتیاط کنید. صفحه برش که وارد قطعه کار میشود، میتواند هنگام برش با لوله‌های گاز، لوله‌های آب، کابل‌های برق و یا سایر اشیاء اصابت نموده و باعث پس زدن دستگاه شود.

سایر راهنمایی‌های ایمنی

قبل از خنک شدن صفحات ساب به آنها دست نزنید. صفحات در هنگام کار بسیار داغ میشوند.

برای پیدا کردن لوله‌ها و سیم‌های پنهان موجود در ساختمان و محدوده کار، از یک دستگاه ردیاب مخصوص برای یافتن لوله‌ها و سیم‌های تأسیسات استفاده کنید و یا با شرکت‌های کارهای تأسیسات ساختمان و خدمات مربوطه تماس بگیرید. تماس با کابل و سیم‌های برق ممکن است باعث آتشسوزی و یا برق گرفتگی شود. ایراد و آسیب دیدگی لوله‌ها می‌تواند باعث انفجار شود. سوراخ شدن لوله آب، باعث خسارت و یا برق گرفتگی میشود.

قطعه کار را محکم کنید. در صورتیکه قطعه کار به وسیله تجهیزات نگهدارنده و یا وسیله گیره محکم شده باشد، قطعه کار مطمئن تر نگه داشته میشود، تا اینکه بوسیله دست نگهداشته شود.

ابزار برقی برای کار ثابت روی میز مناسب نیست. مثلاً نباید در گیره روی میز مهار شود یا روی میز کار بسته شود.

توضیحات محصول و کارکرد

همه دستورات ایمنی و راهنمایی‌ها را بخوانید. اشتباهات ناشی از عدم رعایت این دستورات ایمنی ممکن است باعث برق‌گرفتگی، سوختگی و یا سایر جراحات‌های شدید شود.



به تصویرهای واقع در بخش‌های اول دفترچه راهنما توجه کنید.

موارد استفاده از دستگاه

ابزار برقی برای ساییدن و پلیسه گرفتن فلزات با سنگ سنباده‌های کران‌دوم و همچنین برای کار با سنباده‌های حلقوی در نظر گرفته شده است.

تصاویر اجزاء دستگاه

شماره‌های اجزاء دستگاه که در تصویر مشاهده میشود، مربوط به شرح ابزار برقی می‌باشد که تصویر آن در این دفترچه آمده است.

- (1) کولت
- (2) مهره مهار
- (3) محور سایش
- (4) گلوبی محور
- (5) کلید روشن/خاموش
- (6) دسته (دارای روکش عایق)
- (7) غلاف ایمنی
- (8) میله نگهدارنده^a
- (9) آچار تخت، عرض دهانه 17 mm^a
- (10) اندازه شفت چراغ L
- (11) شفت گیرنده

^a کلیه متعلقاتی که در تصویر و یا در متن آمده است، بطور معمول همراه دستگاه ارائه نمی‌شود. لطفاً لیست کامل متعلقات را از فهرست برنامه متعلقات اقتباس نمایید.

مشخصات فنی

GG5 5000 L	GG5 5000	فرز انگشتی
3 601 B24 1..	3 601 B23 0..	شماره فنی
550	500	توان ورودی نامی
33000	33000	سرعت نامی
8	8	حداکثر قطر کولت
41	43,5	قطر گلوبی محور
30	30	حداکثر ضخامت سنگ سنباده
25	25	حداکثر قطر سنگ سنباده
10	10	حداکثر اندازه شفت چراغ لاله
35	35	حداکثر طول شفت گیرنده
1,4	1,0	وزن مطابق استاندارد EPTA- Procedure 01:2014
II/□	II/□	کلاس ایمنی

مقادیر برای ولتاژ نامی [U] 230 ولت میباشند. برای ولتاژهای مختلف و تولیدات مخصوص کشورهای، ممکن است این مقادیر، متفاوت باشند.

نصب ابزارهای ساب (رجوع کنید به تصویر B)

محور سایش (3) و همه قطعات نصب شده را تمیز کنید.

محور سایش (3) را با آچار تخت (9) از محل آچار محکم بگیرید.

مهره مهار (2) را با آچار تخت (9) از محل آچار با چرخاندن در خلاف جهت عقربه های ساعت باز کنید.

شفت مهار ابزار ساب را تا انتها در کولت (1) قرار دهید.

محور سایش (3) را با آچار تخت (9) محکم بگیرید و ابزار مورد استفاده را با آچار تخت (9) از طرف محل آچار با چرخاندن در جهت عقربه های ساعت محکم کنید.

ابزار سائیدن (سنگ سنباده) باید بدون هیچگونه نقص و ایرادی چرخش داشته باشند. از استفاده از ابزار سایش غیر مدور خودداری کرده و اینگونه ابزار را تعویض نمایید.

◀ **کولت همراه با مهره کلاهی به هیچ عنوان بدون نصب بودن ابزار ساب، سفت نکنید.**

مهره کلاهی (کولت) ممکن است آسیب ببیند.

◀ **تنها از ابزارهای ساب انگشتی با قطر شفت مناسب استفاده کنید.** یک ابزار ساب انگشتی که قطر شفت آن به ابزارگیر ابزار برقی متناسب نیست (رجوع کنید به „مشخصات فنی“) درست نگهداشته نمی شود و به کولت آسیب می زند.

مکش گرد، براده و تراشه

گرد و غبار موادی مانند رنگ های دارای سرب، بعضی از چوب ها، مواد معدنی و فلزات میتوانند برای سلامتی مضر باشند. دست زدن و یا تنفس کردن گرد و غبار ممکن است باعث بروز آلرژی و یا بیماری مجاری تنفسی شخص استفاده کننده و یا افرادی که در آن نزدیکی میباشند، بشود.

نصب

◀ **پیش از انجام هرگونه کاری بر روی ابزار الکتریکی، دوشاخه اتصال آنرا از داخل پریز برق بیرون بکشید.**

◀ **ابزار باید حداقل 10 میلیمتر مهار شود.** توسط اندازه ی شفت لاله می توان حداکثر سرعت مجاز ابزار را از اطلاعات تولید کننده ی ابزار بدست آورد. این اندازه نباید کمتر از حداکثر سرعت ابزار برقی باشد.

نصب ابزارهای ساب (رجوع کنید به تصویر A)

(GG5 5000)

محور سایش (3) و همه قطعات نصب شده را تمیز کنید.

محور سایش (3) را بچرخانید تا سوراخ محور سایش (3) و شیارهای روی بدنه در یک راستا قرار گیرند. میله نگهدارنده (8) را از طریق شیارهای روی بدنه و سوراخ محور سایش (3) وارد کنید.

مهره مهار (2) را با آچار تخت (9) (با عرض دهانه 17 mm) با چرخش خلاف جهت عقربه های ساعت محکم کنید.

شفت مهار ابزار ساب را تا انتها در کولت (1) قرار دهید.

مهره مهار (2) را با آچار تخت (9) (با عرض دهانه 17 mm) با چرخش در جهت عقربه های ساعت محکم کنید.

ابزار سائیدن (سنگ سنباده) باید بدون هیچگونه نقص و ایرادی چرخش داشته باشند. از استفاده از ابزار سایش غیر مدور خودداری کرده و اینگونه ابزار را تعویض نمایید.

◀ **کولت همراه با مهره کلاهی به هیچ عنوان بدون نصب بودن ابزار ساب، سفت نکنید.**

مهره کلاهی (کولت) ممکن است آسیب ببیند.

مراقبت و سرویس

مراقبت، تعمیر و تمیز کردن دستگاه

- ◀ پیش از انجام هرگونه کاری بر روی ابزار الکتریکی، دوشاخه اتصال آنرا از داخل پریز برق بیرون بکشید.
- ◀ ابزار الکتریکی و شیارهای تهویه آنرا تمیز نگاه دارید، تا ایمنی شما در کار تضمین گردد.
- ◀ در صورت شرایط کاری بسیار سخت در صورت امکان همواره از یک سیستم مکنده استفاده کنید. تمیز کردن مکرر شیارهای تهویه از طریق دمش فشار هوا و کلید محافظ (PRCD) جریان خطا و نشستی زمین (کلید قطع کننده اتصال با زمین) را روشن کنید. هنگام کار با فلزات، امکان تجمع گرد فلزات که هادی می باشد در قسمت های داخلی ابزار برقی وجود دارد. امکان آسیب دیدن و از بین رفتن محافظ روکش عایق ابزار برقی وجود دارد.

در صورت نیاز به یک کابل پدکی برای اتصال به شبکه برق، با بستی به شرکت **Bosch** و یا به نمایندگی مجاز **Bosch** (خدمات پس از فروش) برای ابزار آلات برقی مراجعه کنید تا از بروز خطرات ایمنی جلوگیری بعمل آید.

لطفاً ابزار و متعلقات دستگاه را به دقت محافظت و به خوبی نگهداری کنید.

خدمات و مشاوره با مشتریان

خدمات مشتری، به سئوالات شما درباره تعمیرات، سرویس و همچنین قطعات پدکی پاسخ خواهد داد. نقشه‌های سه بعدی و اطلاعات مربوط به قطعات پدکی را در تارنمای زیر مییابید:

www.bosch-pt.com

گروه مشاوره به مشتریان Bosch با کمال میل به سئوالات شما درباره محصولات و متعلقات پاسخ می دهند.

برای هرگونه سؤال و یا سفارش قطعات پدکی، حتماً شماره فنی 10 رقمی کالا را مطابق برچسب روی ابزار برقی اطلاع دهید.

ایران

روبرت بوش ایران - شرکت بوش تجارت پارس
میدان ونک، خیابان شهید خدای، خیابان آفتاب
ساختمان مادران، شماره 3، طبقه سوم.

تهران 1994834571

تلفن: 42039000 +9821

آدرس سایر دفاتر خدماتی را در ادامه بیابید:

www.bosch-pt.com/serviceaddresses

از رده خارج کردن دستگاه

ابزار برقی، متعلقات و بسته بندی آن، باید طبق مقررات حفظ محیط زیست از رده خارج و بازیافت شوند.

ابزارهای برقی را داخل زباله دان خانگی نیاندازید!



گرد و غبارهای مخصوصی مانند گرد و غبار درخت بلوط و یا درخت راش سرطان زا هستند، بخصوص ترکیب آنها با سایر موادی که برای کار بر روی چوب (کرومات، مواد برای محافظت از چوب) بکار برده میشوند. فقط افراد متخصص مجازند با موادی که دارای آزیست میباشند کار کنند.

- توجه داشته باشید که محل کار شما از تهویه هوای کافی برخوردار باشد.

- توصیه میشود از ماسک تنفسی ایمنی با درجه فیلتر P2 استفاده کنید.

به قوانین و مقررات معتبر در کشور خود در رابطه با استفاده از مواد و قطعات کاری توجه کنید.

◀ از تجمع گرد و غبار در محل کار جلوگیری کنید. گرد و غبار می توانند به آسانی مشتعل شوند.

طرز کار با دستگاه

راه اندازی و نحوه کاربرد دستگاه

◀ به ولتاژ شبکه برق توجه کنید! ولتاژ منبع جریان برق باید با مقادیر موجود بر روی برچسب ابزار الکتریکی مطابقت داشته باشد. ابزارهای برقی را که با ولتاژ 230 V ولت مشخص شده اند، می توان تحت ولتاژ 220 V ولت نیز بکار برد.

◀ قبل از هر بار استفاده، کنترل کنید که کولت (1) و مهره مهار (2) بدون آسیب دیدگی باشند.

نحوه روشن و خاموش کردن

جهت راه اندازی ابزار برقی، کلید روشن/خاموش (5) را به سمت جلو فشار دهید.

جهت تثبیت کلید روشن/خاموش (5) کلید روشن/خاموش (5) از از جلو به پایین بفشارید تا جا بیفتد.

برای خاموش کردن ابزار برقی کلید روشن/خاموش (5) را رها کنید یا اگر قفل است، کلید روشن/خاموش (5) را از پشت کوتاه به پایین برانید و بعد آن را رها کنید.

راهنمایی های عملی

◀ پیش از انجام هرگونه کاری بر روی ابزار الکتریکی، دوشاخه اتصال آنرا از داخل پریز برق بیرون بکشید.

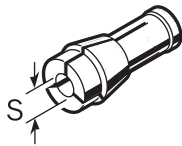
◀ ابزار برقی را زیاد زیر فشار قرار ندهید که متوقف شود.

◀ بگذارید ابزار برقی پس از زیر بار بودن شدید، چند دقیقه بدون بار کار کند تا ابزار برقی خنک شود.

◀ سنگ سنباده هنگام کار بسیار داغ می شود. قبل از خنک شدن صفحات ساب، به آنها دست نزنید.

◀ ابزارهای سایش را در برابر ضربه مصون نگهدارید.

برای دستیابی به نتیجه کار ایده آل، باید سنگ سنباده را تحت فشار آهسته و حرکت یکنواخت به طرف جلو و عقب حرکت بدهید. فشار زیاد توان ابزار برقی را کاهش می دهد و منجر به فرسایش سریع سنگ سنباده می گردد.



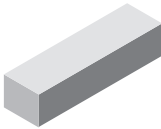
S

3 mm	2 608 570 008
6 mm	2 608 570 047
1/4"	2 608 570 048
8 mm	2 608 570 049

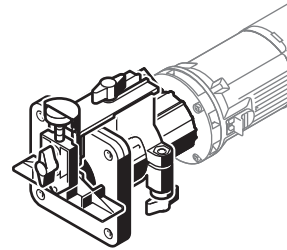


M 15

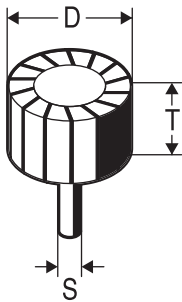
2 603 312 006



1 607 929 000



PKF 25:
2 607 020 301 (GG5 5000)



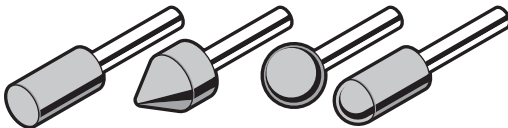
S

D

T

min⁻¹



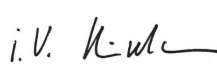
6 mm	15 mm	30 mm	36 000	2 608 620 034
------	-------	-------	--------	---------------



de	EU-Konformitätserklärung Geradschleifer Sachnummer	Wir erklären in alleiniger Verantwortung, dass die genannten Produkte allen einschlägigen Bestimmungen der nachfolgend aufgeführten Richtlinien und Verordnungen entsprechen und mit folgenden Normen übereinstimmen. Technische Unterlagen bei: *
en	EU Declaration of Conformity Straight grinder Article number	We declare under our sole responsibility that the stated products comply with all applicable provisions of the directives and regulations listed below and are in conformity with the following standards. Technical file at: *
fr	Déclaration de conformité UE Meuleuse droite N° d'article	Nous déclarons sous notre propre responsabilité que les produits décrits sont en conformité avec les directives, règlements normatifs et normes énumérés ci-dessous. Dossier technique auprès de: *
es	Declaración de conformidad UE Amoladora recta Nº de artículo	Declaramos bajo nuestra exclusiva responsabilidad, que los productos nombrados cumplen con todas las disposiciones correspondientes de las Directivas y los Reglamentos mencionados a continuación y están en conformidad con las siguientes normas. Documentos técnicos de: *
pt	Declaração de Conformidade UE Retificadora direita N.º do produto	Declaramos sob nossa exclusiva responsabilidade que os produtos mencionados cumprem todas as disposições e os regulamentos indicados e estão em conformidade com as seguintes normas. Documentação técnica pertencente à: *
it	Dichiarazione di conformità UE Smerigliatrice asiale Codice prodotto	Dichiariamo sotto la nostra piena responsabilità che i prodotti indicati sono conformi a tutte le disposizioni pertinenti delle Direttive e dei Regolamenti elencati di seguito, nonché alle seguenti Normative. Documentazione Tecnica presso: *
nl	EU-conformiteitsverklaring Rechte slijmachine Productnummer	Wij verklaren op eigen verantwoordelijkheid dat de genoemde producten voldoen aan alle desbetreffende bepalingen van de hierna genoemde richtlijnen en verordeningen en overeenstemmen met de volgende normen. Technisch dossier bij: *
da	EU-overensstemmelseserklæring Ligesliber Typenummer	Vi erklærer som eneansvarlige, at det beskrevne produkt er i overensstemmelse med alle gældende bestemmelser i følgende direktiver og forordninger og opfylder følgende standarder. Tekniske bilag ved: *
sv	EU-konformitetsförklaring Rakslip Produktnummer	Vi förklarar under eget ansvar att de nämnda produkterna uppfyller kraven i alla gällande bestämmelser i de nedan angivna direktiven och förordningarna och att de stämmer överens med följande normer. Teknisk dokumentation: *
no	EU-samsvarserklæring Rettsliper Produktnummer	Vi erklærer under eneansvar at de nevnte produktene er i overensstemmelse med alle relevante bestemmelser i direktivene og forordningene nedenfor og med følgende standarder. Teknisk dokumentasjon hos: *
fi	EU-vaatimustenmukaisuusvakuutus Suorahiomakone Tuotenumero	Vakuutamme täten, että mainitut tuotteet vastaavat kaikkia seuraavien direktiivien ja asetusten asiaankuuluvia vaatimuksia ja ovat seuraavien standardien vaatimusten mukaisia. Tekniset asiakirjat saatavana: *
el	Δήλωση πιστότητας ΕΕ Ευθύς λειαντήρας Αριθμός ευρετηρίου	Δηλώνουμε με αποκλειστική μας ευθύνη, ότι τα αναφερόμενα προϊόντα αντιστοιχούν σε όλες τις σχετικές διατάξεις των πιο κάτω αναφερόμενων οδηγιών και κανονισμών και ταυτίζονται με τα ακόλουθα πρότυπα. Τεχνικά έγγραφα στη: *
tr	AB Uygunluk beyanı Kalıpçı taşlama Ürün kodu	Tek sorumlu olarak, tanımlanan ürünün aşağıdaki yönetmelik ve direktiflerin geçerli bütün hükümlerine ve aşağıdaki standartlara uygun olduğunu beyan ederiz. Teknik belgelerin bulunduğu yer: *

pl	Deklaracja zgodności UE Szlifyerka prosta Numer katalogowy	Oświadczamy z pełną odpowiedzialnością, że niniejsze produkty odpowiadają wszystkim wymaganiom poniżej wyszczególnionych dyrektyw i rozporządzeń, oraz że są zgodne z następującymi normami. Dokumentacja techniczna: *
cs	EU prohlášení oshodě Přímá bruska Objednací číslo	Prohlašujeme na výhradní zodpovědnost, že uvedený výrobek splňuje všechny příslušné ustanovení níže uvedených směrnic a nařízení a je v souladu s následujícími normami: Technické podklady u: *
sk	EÚ vyhlásenie ozhode Priama brúska Vecné číslo	Vyhlasujeme na výhradnú zodpovednosť, že uvedený výrobok spĺňa všetky príslušné ustanovenia nižšie uvedených smerníc a naariadení a je v súlade s nasledujúcimi normami: Technické podklady má spoločnosť: *
hu	EU konformitási nyilatkozat Egyenes csiszoló Cikkszám	Egyedüli felelősséggel kijelentjük, hogy a megnevezett termékek megfelelnek az alábbiakban felsorolásra kerülő irányelvek és rendeletek valamennyi idevágó előírásainak és megfelelnek a következő szabványoknak. Műszaki dokumentumok megőrzési pontja: *
ru	Заявление о соответствии ЕС Прямая шлифмашина Товарный №	Мы заявляем под нашу единоличную ответственность, что названные продукты соответствуют всем действующим предписаниям нижеуказанных директив и распоряжений, а также нижеуказанных норм. Техническая документация хранится у: *
uk	Заява про відповідність ЄС Пряма шліфмашина Товарний номер	Мизаявляємо під нашу одноособову відповідальність, що названі вироби відповідають усім чинним положенням нищеозначених директив і розпоряджень, а також нищеозначеним нормам. Технічна документація зберігається у: *
kk	EO сәйкестік мағлұдамасы Тік ажарлағыш Өнім нөмірі	Өз жауапкершілікпен біз аталған өнімдер төменде жьылған директикалар мен жарлықтардың тиісті қағидаларына сәйкестігін және төмендегі нормаларға сай екенін білдіреміз. Техникалық құжаттар: *
ro	Declarație de conformitate UE Polizor drept Număr de identificare	Declarăm pe proprie răspundere că produsele menționate corespund tuturor dispozițiilor relevante ale directivelor și reglementărilor enumerate în cele ce urmează și sunt în conformitate cu următoarele standarde. Documentație tehnică la: *
bg	ЕС декларация за съответствие Права шлифоваща машина Каталоген номер	С пълна отговорност ние декларираме, че посочените продукти отговарят на всички валидни изисквания на директивите и разпоредбите по-долу и съответства на следните стандарти. Техническа документация при: *
mk	EU-Изјава за сообразност Рамна брусилка Број на дел/артикл	Со целосна одговорност изјавуваме, дека опишаните производи се во согласност со сите релевантни одредби на следните регулативи и прописи и се во согласност со следните норми. Техничка документација кај: *
sr	EU-izjava o usaglašenosti Ravna brusilica Broj predmeta	Na sopstvenu odgovornost izjavljujemo, da navedeni proizvodi odgovaraju svim dotičnim odredbama naknadno navedenih smernica u uredba i da su u skladu sa sledećim standardima. Tehnička dokumentacija kod: *
sl	Izjava o skladnosti EU Premi brusilnik Številka artikla	Izjavljamo pod izključno odgovornostjo, da je omenjen izdelek v skladu z vsemi relevantnimi določili direktiv in uredb ter ustreza naslednjim standardom. Tehnična dokumentacija pri: *
hr	EU izjava o sukladnosti Ravna brusilica Kataloški br.	Pod punom odgovornošću izjavljujemo da navedeni proizvodi odgovaraju svim relevantnim odredbama direktiva i propisima navedenima u nastavku i da su sukladni sa sljedećim normama. Tehnička dokumentacija se može dobiti kod: *
et	EL-vastavusdeklaratsioon Otslihvija Tootenumber	Kinnitame ainuvastutatatena, et nimetatud tooted vastavad järgnevalt loetletud direktiivide ja määruste kõikidele asjaomastele nõuetele ja on kooskõlas

jārgmiste normidega.
Tehniskie dokumenti saadāvi: *

lv Deklarācija par atbilstību ES standartiem	Mēs ar pilnu atbildību paziņojam, ka šeit aplūkoti izstrādājumi atbilst visiem tālāk minētajās direktīvās un rīkojumos ietvertajām saistošajām nostādņām, kā arī sekojošiem standartiem.
Taisnā slīpmašīna Izstrādājuma numurs	Tehniskā dokumentācija no: *
It ES atitiktās deklarācija Tiesinīs šlifmašīna Gaminio numeris	Atsakingai pareiškiam, kad išvardyti gaminiai atitinka visus privalomus žemiau nurodytų direktyvų ir reglamentų reikalavimus ir šiuos standartus. Techninė dokumentacija saugoma: *
GG5 5000	3 601 B23 0.. 2006/42/EC EN 60745-1:2009+A11:2010
GG5 5000 L	3 601 B24 1.. 2014/30/EU EN 60745-2-23:2013
	2011/65/EU EN 55014-1:2017+A11:2020
	EN 55014-2:2015
	EN IEC 61000-3-2:2019
	EN 61000-3-3:2013+A1:2019
	EN IEC 63000:2018
	 * Robert Bosch Power Tools GmbH (PT/ECS)
	70538 Stuttgart GERMANY
	Henk Becker Chairman of Executive Management
	Helmut Heinzelmann Head of Product Certification
	 
	Robert Bosch Power Tools GmbH, 70538 Stuttgart, GERMANY Stuttgart, 09.11.2020