

GBL 82-270 Professional

HEAVY
DUTY

1 609 92A 7ER (2022.01) AS / 4



1 609 92A 7ER

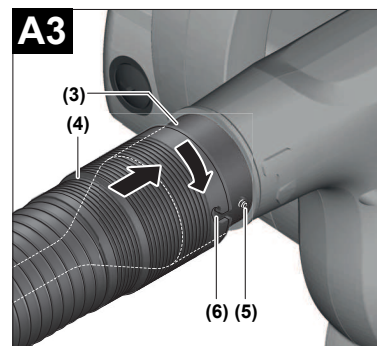
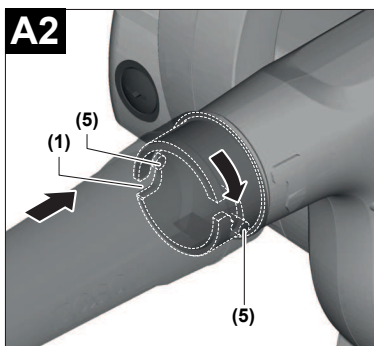
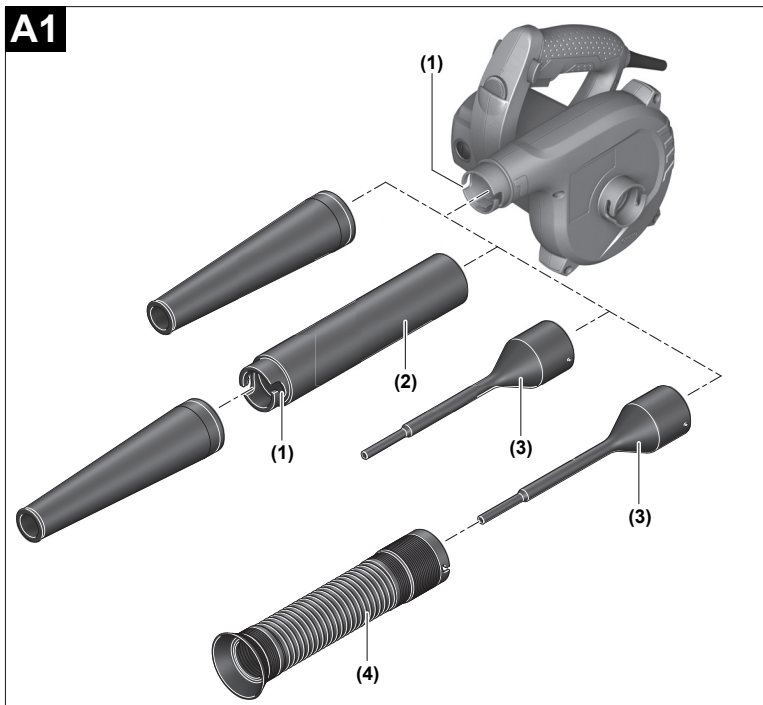
Robert Bosch Power Tools GmbH

70538 Stuttgart
GERMANY

www.bosch-pt.com



BOSCH



English

Fitting the blower accessories (see figures A1–A3)

See the illustration for ways of combining the different blower accessories.

- Insert the bayonet lock (5) of the accessory firmly into the recesses (1) of the motor housing or into the recesses (1) of the extension tube (2).
- Turn the bayonet lock a quarter turn clockwise.

Fitting the dust collection tube

- ▶ **Use the drill hole nozzle (3) and the collection tube (4) only for drill hole cleaning purpose.** These blower accessories are not intended for continuous operation.

When blowing out drill holes, the drilling debris is blown in the direction of the operator. For this reason, it is recommended that you fit the dust collection tube (4) over the drill hole nozzle (3).

- Place the recesses (6) of the dust collection tube (4) over the outer bayonet lock (5) of the drill hole nozzle (3).
- Turn the dust collection tube (4) a quarter turn clockwise.

Note: When the device is not in use, close the air outlet with the drill hole nozzle (3).

中文

安装鼓风机配件（参见插图A1–A3）

不同鼓风机配件的组合方案请参见图示。

- 将配件的卡口式连接件(5)牢牢插入马达箱缺口(1)或加长管(2)的缺口(1)。
- 将卡口式连接件顺时针转动四分之一圈。

安装集尘管

吹净钻孔时，将钻屑朝操作者方向吹。因此建议在钻孔吹嘴(3)上方安装集尘管(4)。

- 将集尘管(4)的缺口(6)插到钻孔吹嘴(3)的外部卡口式连接件(5)上方。
- 将集尘管(4)顺时针转动四分之一圈。

- ▶ **只能将钻孔吹嘴(3)和集尘管(4)用于吹净钻孔。**该鼓风机配件不适用于持续运行模式。

提示：不使用设备时，请用钻孔吹嘴(3)封闭出风口。

繁體中文

安裝吹風機配件（請參考圖 A1–A3）

吹風機各項配件的組合方式請參考插圖。

- 將配件的插旋接頭 (5) 牢牢插進馬達機體的卡槽 (1) 內，或插進延長管 (2) 的卡槽 (1) 內。
- 將插旋接頭順時針旋轉四分之一圈。

安裝集塵管

處理鑽孔塵屑時，殘留的塵屑會吹向操作者。因此建議您，在鑽孔專用噴管 (3) 上加裝集塵管 (4)。

- 將集塵管 (4) 的卡槽 (6) 套在鑽孔專用噴管 (3) 的外側插旋接頭 (5) 上方。
- 將集塵管 (4) 順時針旋轉四分之一圈。

- ▶ **僅可在噴吹鑽孔塵屑時使用鑽孔專用噴管 (3) 和集塵管 (4)。** 此吹風機配件並非設計用於持續運轉。

提示：不使用本裝置時，請用鑽孔專用噴管 (3) 封住出風口。

한국어

송풍기 액세서리 장착하기(그림 A1–A3 참조)

다양한 액세서리들의 조합 방법은 그림을 참조하십시오.

- 액세서리의 베이요넷 로크 (5) 를 모터 하우징의 홈 (1) 또는 연장관 (2) 의 홈 (1) 에 끼우십시오.
- 베이요넷 로크를 시계 방향으로 1/4 바퀴 돌리십시오.

분진 수거관 조립하기

드릴 홀을 불어낼 때 잔여물이 조작자가 있는 방향으로 배출됩니다. 따라서 드릴 홀 노즐 (3) 을 이용해 분진 수거관 (4) 을 설치하는 것이 좋습니다.

- 분진 수거관 (4) 의 홈 (6) 을 드릴 홀 노즐 (3) 의 바깥쪽 베이요넷 로크 (5) 를 통해 끼우십시오.
- 분진 수거관 (4) 을 시계 방향으로 1/4 바퀴 돌리십시오.

- ▶ **드릴 홀 노즐 (3) 및 분진 수거관 (4) 은 드릴 홀을 불어낼 경우에만 사용하십시오.** 상기 블로어 액세서리는 연속 작동에 사용할 수 없습니다.

지침: 기기를 사용하지 않을 경우, 드릴 홀 노즐 (3) 을 통해 배기구를 막아놓으십시오.

ไทย

ติดตั้งเครื่องเป่าลม (ดูภาพประกอบ A1-A3)

สำหรับรูปแบบการเชื่อมต่อชิ้นส่วนอุปกรณ์ประกอบต่างๆ ของเครื่องเป่าลมเข้าด้วยกัน กรุณาดูภาพประกอบ

- เลียบตัวล็อคแบบซี่ยาว (5) ของอุปกรณ์ประกอบเข้าในช่อง (1) ของครอบมอเตอร์ หรือเข้าในช่อง (1) ของท่อต่อ (2)
- หมุนตัวล็อคแบบซี่ยาวตามเข็มนาฬิกาไปหนึ่งส่วนสี่รอบ หมุน

การติดตั้งท่อเก็บฝุ่น

เมื่อเป่ารูเจาะ เศษตกค้างจากการเจาะจะถูกเป่าไปยังผู้ใช้ งานเครื่อง ดังนั้นบนหัวเป่าลมรูเจาะ (3) เราขอแนะนำให้ติดตั้งท่อเก็บฝุ่น (4)

- เลียบช่อง (6) ของท่อเก็บฝุ่น (4) เข้าบนตัวล็อคแบบซี่ยาว (5) ด้านนอกของหัวเป่าลมรูเจาะ (3)
- หมุนท่อเก็บฝุ่น (4) ตามเข็มนาฬิกาไปหนึ่งส่วนสี่รอบหมุน
- ▶ ใช้หัวเจาะ (3) และท่อเก็บฝุ่น (4) เพื่อเป่ารูเจาะเท่านั้น อุปกรณ์เสริมพัดลมเหล่านี้ไม่ได้มีไว้สำหรับการทำงานอย่างต่อเนื่อง

หมายเหตุ: เมื่อไม่ได้ใช้งานอุปกรณ์ ให้ปิดช่องระบายอากาศด้วยหัวฉีดเจาะรู (3).

Bahasa Indonesia

Memasang aksesoris blower (lihat gambar A1-A3)

Lihat gambar mengenai pilihan kombinasi dari beragam komponen aksesoris blower.

- Masukkan sambungan bayonet (5) aksesoris ke dalam bukaan (1) housing mesin dengan kencang atau ke dalam bukaan (1) pipa ekstensi (2).
- Putar sambungan bayonet hingga seperempat putaran searah jarum jam.

Memasang pipa pengumpul debu

Saat meniup dari lubang bor, sisa-sisa pengeboran akan tertiuip ke arah pengguna. Oleh karena itu, direkomendasikan untuk memasang pipa pengumpul debu (4) dengan nozel lubang bor (3).

- Masukkan sambungan (6) pipa pengumpul debu (4) melalui sambungan bayonet luar (5) nozel lubang bor (3).
- Putar pipa pengumpul debu (4) hingga seperempat putaran searah jarum jam.

▶ **Gunakan nozel lubang bor (3) dan pipa pengumpul debu (4) hanya untuk meniup lubang bor.** Aksesoris blower ini tidak dirancang untuk pengoperasian terus-menerus.

Catatan: Saat perangkat tidak digunakan, tutup outlet udara dengan nozel lubang bor (3).

Tiếng Việt

Lắp phụ kiện máy thổi (xem Hình A1–A3)

Bạn có thể xem hình minh họa về khả năng kết hợp của các phụ kiện máy thổi khác nhau.

- Gài móc cài (5) của phụ kiện vào các lỗ (1) của vỏ động cơ hoặc vào các lỗ (1) của ống nối dài (2).
- Xoay khớp nối móc cài khoảng một phần tư vòng theo chiều kim đồng hồ.

Lắp ống chứa bụi

Khi thổi các lỗ khoan, các mùn khoan sẽ được thổi về phía người điều khiển. Do đó, nên lắp ống chứa bụi qua vòi phun lỗ khoan (3) (4).

- Gắn các lỗ (6) của ống chứa bụi (4) qua khớp nối móc cài bên ngoài (5) của vòi phun lỗ khoan (3).
- Xoay ống chứa bụi (4) khoảng một phần tư vòng theo chiều kim đồng hồ.

► **Chỉ sử dụng vòi phun lỗ khoan (3) và ống gom bụi (4) để thổi sạch các lỗ khoan.** Phụ kiện máy thổi không dùng để vận hành liên tục.

Hướng dẫn: Nếu thiết bị không được sử dụng, hãy đóng lỗ thoát khí với vòi phun lỗ khoan (3).