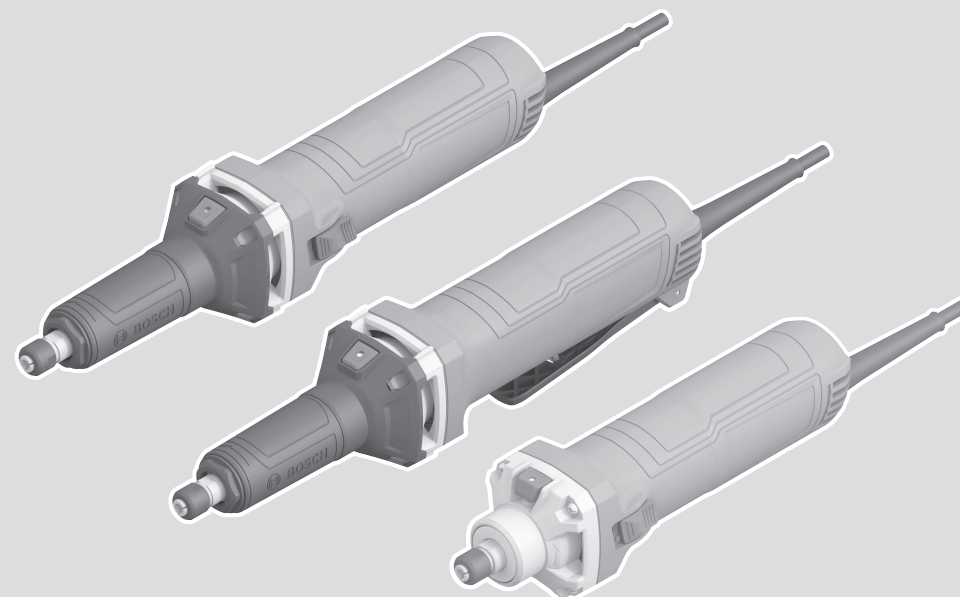




Professional HEAVY DUTY
GG5
30 LS | 30 LPS | 30 S



Robert Bosch Power Tools GmbH
70538 Stuttgart
GERMANY

www.bosch-pt.com

1 609 92A A80 (2024.11) 0 / 69

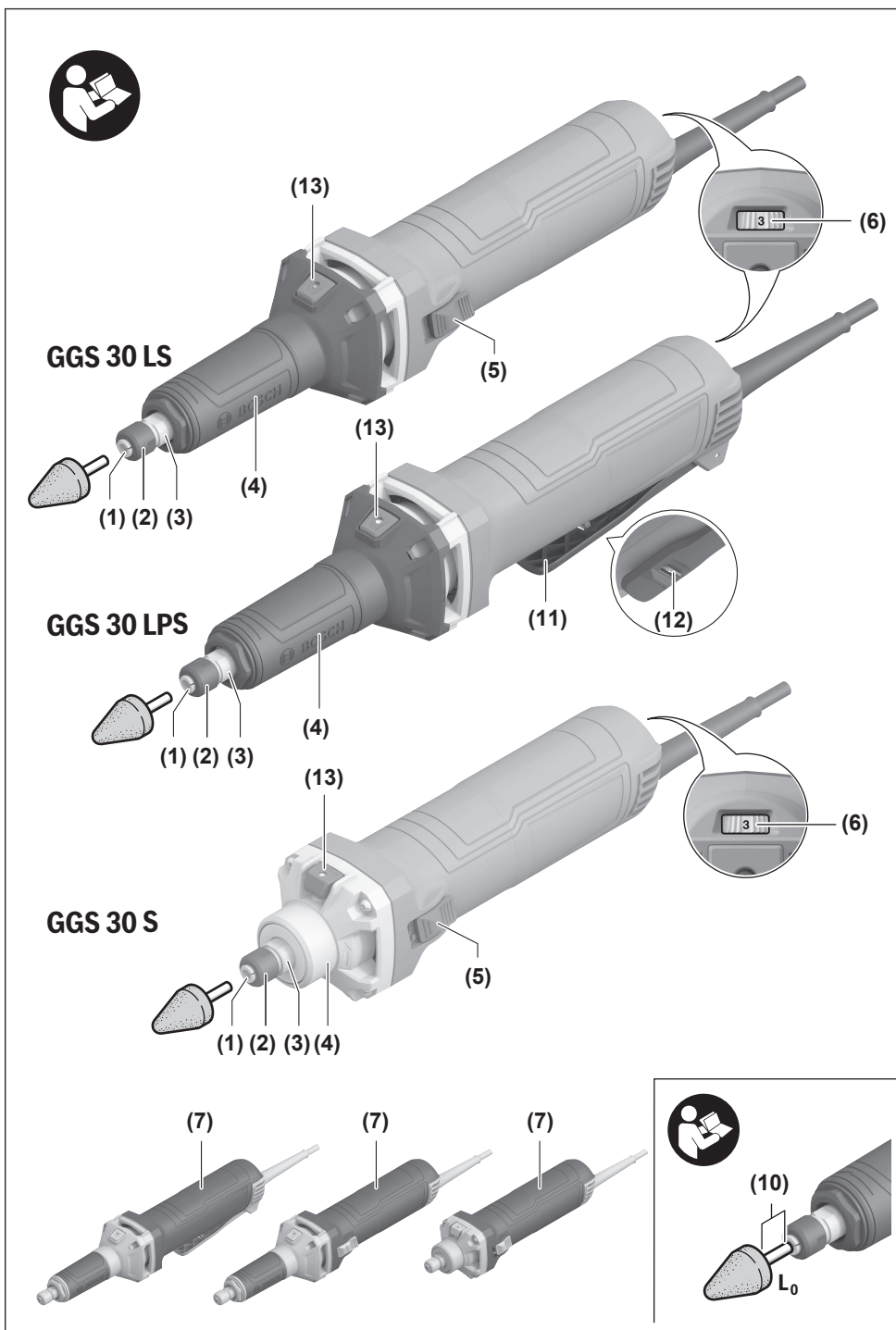


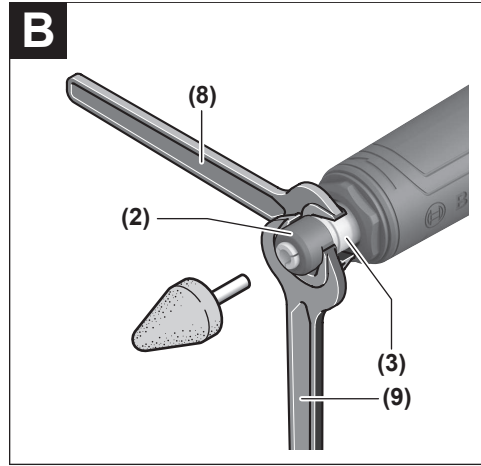
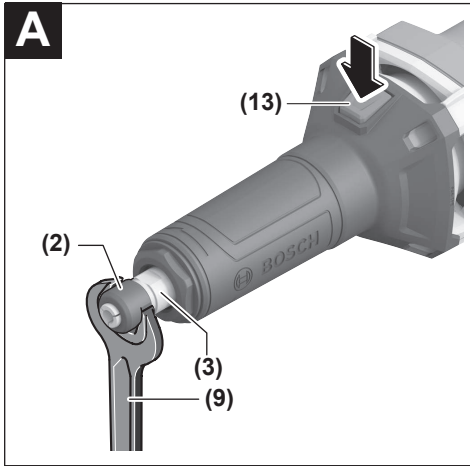
1 609 92A A80

- en Original instructions
- fr Notice originale
- pt Manual original
- zh 正本使用说明书
- zh 原始使用說明書
- th หนังสือคู่มือการใช้งานฉบับต้นแบบ
- id Petunjuk-Petunjuk untuk Penggunaan Orisinal
- vi Bản gốc hướng dẫn sử dụng
- ar دليل التشغيل الأصلي
- fa دفترچه راهنمای اصلی



English	Page	5
Français	Page	10
Português	Página	17
中文	頁	24
繁體中文	頁	29
ไทย	หน้า	34
Bahasa Indonesia	Halaman	40
Tiếng Việt	Trang	47
عربي	الصفحة	54
فارسی	صفحه	61





English

Safety Instructions

General Power Tool Safety Warnings

⚠ WARNING **Read all safety warnings and all instructions.** Failure to follow the warnings and instructions may result in electric shock, fire and/or serious injury.

Save all warnings and instructions for future reference.

The term "power tool" in the warnings refers to your mains-operated (corded) power tool or battery-operated (cordless) power tool.

Work area safety

- ▶ **Keep work area clean and well lit.** Cluttered or dark areas invite accidents.
- ▶ **Do not operate power tools in explosive atmospheres, such as in the presence of flammable liquids, gases or dust.** Power tools create sparks which may ignite the dust or fumes.
- ▶ **Keep children and bystanders away while operating a power tool.** Distractions can cause you to lose control.

Electrical safety

- ▶ **Power tool plugs must match the outlet. Never modify the plug in any way. Do not use any adapter plugs with earthed (grounded) power tools.** Unmodified plugs and matching outlets will reduce risk of electric shock.
- ▶ **Avoid body contact with earthed or grounded surfaces, such as pipes, radiators, ranges and refrigerators.** There is an increased risk of electric shock if your body is earthed or grounded.
- ▶ **Do not expose power tools to rain or wet conditions.** Water entering a power tool will increase the risk of electric shock.
- ▶ **Do not abuse the cord. Never use the cord for carrying, pulling or unplugging the power tool. Keep cord away from heat, oil, sharp edges or moving parts.** Damaged or entangled cords increase the risk of electric shock.
- ▶ **When operating a power tool outdoors, use an extension cord suitable for outdoor use.** Use of a cord suitable for outdoor use reduces the risk of electric shock.
- ▶ **If operating a power tool in a damp location is unavoidable, use a residual current device (RCD) protected supply.** Use of an RCD reduces the risk of electric shock.

Personal safety

- ▶ **Stay alert, watch what you are doing and use common sense when operating a power tool. Do not use a power tool while you are tired or under the influence of drugs, alcohol or medication.** A moment of inattention while operating power tools may result in serious personal injury.

- ▶ **Use personal protective equipment. Always wear eye protection.** Protective equipment such as dust mask, non-skid safety shoes, hard hat, or hearing protection used for appropriate conditions will reduce personal injuries.
- ▶ **Prevent unintentional starting. Ensure the switch is in the off-position before connecting to power source and/or battery pack, picking up or carrying the tool.** Carrying power tools with your finger on the switch or energising power tools that have the switch on invites accidents.
- ▶ **Remove any adjusting key or wrench before turning the power tool on.** A wrench or a key left attached to a rotating part of the power tool may result in personal injury.
- ▶ **Do not overreach. Keep proper footing and balance at all times.** This enables better control of the power tool in unexpected situations.
- ▶ **Dress properly. Do not wear loose clothing or jewellery. Keep your hair, clothing and gloves away from moving parts.** Loose clothes, jewellery or long hair can be caught in moving parts.
- ▶ **If devices are provided for the connection of dust extraction and collection facilities, ensure these are connected and properly used.** Use of dust collection can reduce dust-related hazards.

Power tool use and care

- ▶ **Do not force the power tool. Use the correct power tool for your application.** The correct power tool will do the job better and safer at the rate for which it was designed.
- ▶ **Do not use the power tool if the switch does not turn it on and off.** Any power tool that cannot be controlled with the switch is dangerous and must be repaired.
- ▶ **Disconnect the plug from the power source and/or the battery pack from the power tool before making any adjustments, changing accessories, or storing power tools.** Such preventive safety measures reduce the risk of starting the power tool accidentally.
- ▶ **Store idle power tools out of the reach of children and do not allow persons unfamiliar with the power tool or these instructions to operate the power tool.** Power tools are dangerous in the hands of untrained users.
- ▶ **Maintain power tools. Check for misalignment or binding of moving parts, breakage of parts and any other condition that may affect the power tool's operation. If damaged, have the power tool repaired before use.** Many accidents are caused by poorly maintained power tools.
- ▶ **Keep cutting tools sharp and clean.** Properly maintained cutting tools with sharp cutting edges are less likely to bind and are easier to control.
- ▶ **Use the power tool, accessories and tool bits etc. in accordance with these instructions, taking into account the working conditions and the work to be performed.**

formed. Use of the power tool for operations different from those intended could result in a hazardous situation.

Service

- ▶ **Have your power tool serviced by a qualified repair person using only identical replacement parts.** This will ensure that the safety of the power tool is maintained.

Safety information for straight grinders

Safety Warnings common for Grinding, Wire Brushing or Polishing

- ▶ **This power tool is intended to function as a grinder, wire brush or polisher. Read all safety warnings, instructions, illustrations and specifications provided with this power tool.** Failure to follow all instructions listed below may result in electric shock, fire and/or serious injury.
- ▶ **Operations such as sanding or cutting-off are not recommended to be performed with this power tool.** Operations for which the power tool was not designed may create a hazard and cause personal injury.
- ▶ **Do not use accessories which are not specifically designed and recommended by the tool manufacturer.** Just because the accessory can be attached to your power tool, it does not assure safe operation.
- ▶ **The rated speed of the accessory must be at least equal to the maximum speed marked on the power tool.** Accessories running faster than their rated speed can break and fly apart.
- ▶ **The outside diameter and the thickness of your accessory must be within the capacity rating of your power tool.** Incorrectly sized accessories cannot be adequately guarded or controlled.
- ▶ **Threaded mounting of accessories must match the grinder spindle thread. For accessories mounted by flanges, the arbour hole of the accessory must fit the locating diameter of the flange.** Accessories that do not match the mounting hardware of the power tool will run out of balance, vibrate excessively and may cause loss of control.
- ▶ **Do not use a damaged accessory. Before each use inspect the accessory such as abrasive wheels for chips and cracks, backing pad for cracks, tear or excess wear, wire brush for loose or cracked wires. If power tool or accessory is dropped, inspect for damage or install an undamaged accessory. After inspecting and installing an accessory, position yourself and bystanders away from the plane of the rotating accessory and run the power tool at maximum no load speed for one minute.** Damaged accessories will normally break apart during this test time.
- ▶ **Wear personal protective equipment. Depending on application, use face shield, safety goggles or safety glasses. As appropriate, wear dust mask, hearing protectors, gloves and workshop apron capable of stopping small abrasive or workpiece fragments.** The eye protection must be capable of stopping flying debris gen-

erated by various operations. The dust mask or respirator must be capable of filtering particles generated by your operation. Prolonged exposure to high intensity noise may cause hearing loss.

- ▶ **Keep bystanders a safe distance away from work area. Anyone entering the work area must wear personal protective equipment.** Fragments of workpiece or of a broken accessory may fly away and cause injury beyond immediate area of operation.
- ▶ **Hold the power tool by insulated gripping surfaces only, when performing an operation where the cutting accessory may contact hidden wiring or its own cord.** Cutting accessory contacting a "live" wire may make exposed metal parts of the power tool "live" and could give the operator an electric shock.
- ▶ **Position the cord clear of the spinning accessory.** If you lose control, the cord may be cut or snagged and your hand or arm may be pulled into the spinning accessory.
- ▶ **Never lay the power tool down until the accessory has come to a complete stop.** The spinning accessory may grab the surface and pull the power tool out of your control.
- ▶ **Do not run the power tool while carrying it at your side.** Accidental contact with the spinning accessory could snag your clothing, pulling the accessory into your body.
- ▶ **Regularly clean the power tool's air vents.** The motor's fan will draw the dust inside the housing and excessive accumulation of powdered metal may cause electrical hazards.
- ▶ **Do not operate the power tool near flammable materials.** Sparks could ignite these materials.
- ▶ **Do not use accessories that require liquid coolants.** Using water or other liquid coolants may result in electrocution or shock.

Kickback and Related Warnings

Kickback is a sudden reaction to a pinched or snagged rotating wheel, backing pad, brush or any other accessory. Pinching or snagging causes rapid stalling of the rotating accessory which in turn causes the uncontrolled power tool to be forced in the direction opposite of the accessory's rotation at the point of the binding.

For example, if an abrasive wheel is snagged or pinched by the workpiece, the edge of the wheel that is entering into the pinch point can dig into the surface of the material causing the wheel to climb out or kick out. The wheel may either jump toward or away from the operator, depending on direction of the wheel's movement at the point of pinching. Abrasive wheels may also break under these conditions.

Kickback is the result of power tool misuse and/or incorrect operating procedures or conditions and can be avoided by taking proper precautions as given below.

- ▶ **Maintain a firm grip on the power tool and position your body and arm to allow you to resist kickback forces. Always use auxiliary handle, if provided, for maximum control over kickback or torque reaction**

during start-up. The operator can control torque reactions or kickback forces, if proper precautions are taken.

- ▶ **Never place your hand near the rotating accessory.** Accessory may kickback over your hand.
- ▶ **Do not position your body in the area where power tool will move if kickback occurs.** Kickback will propel the tool in direction opposite to the wheel's movement at the point of snagging.
- ▶ **Use special care when working corners, sharp edges etc. Avoid bouncing and snagging the accessory.** Corners, sharp edges or bouncing have a tendency to snag the rotating accessory and cause loss of control or kickback.
- ▶ **Do not attach a saw chain woodcarving blade or toothed saw blade.** Such blades create frequent kickback and loss of control.

Safety Warnings specific for Grinding operations

- ▶ **Use only wheel types that are recommended for your power tool and the specific guard designed for the selected wheel.** Wheels for which the power tool was not designed cannot be adequately guarded and are unsafe.
- ▶ **The grinding surface of centre depressed wheels must be mounted below the plane of the guard lip.** An improperly mounted wheel that projects through the plane of the guard lip cannot be adequately protected.
- ▶ **Wheels must be used only for recommended applications. For example: do not grind with the side of cut-off wheel.** Abrasive cut-off wheels are intended for peripheral grinding, side forces applied to these wheels may cause them to shatter.
- ▶ **Always use undamaged wheel flanges that are of correct size and shape for your selected wheel.** Proper wheel flanges support the wheel thus reducing the possibility of wheel breakage. Flanges for cut-off wheels may be different from grinding wheel flanges.
- ▶ **Do not use worn down wheels from larger power tools.** Wheel intended for larger power tool is not suitable for the higher speed of a smaller tool and may burst.

Safety Warnings specific for Polishing operations

- ▶ **Do not allow any loose portion of the polishing bonnet or its attachment strings to spin freely. Tuck away or trim any loose attachment strings.** Loose and spinning attachment strings can entangle your fingers or snag on the workpiece.

Safety Warnings specific for Wire Brushing operations

- ▶ **Be aware that wire bristles are thrown by the brush even during ordinary operation. Do not overstress the wires by applying excessive load to the brush.** The wire bristles can easily penetrate light clothing and/or skin.
- ▶ **If the use of a guard is recommended for wire brushing, do not allow any interference of the wire wheel or brush with the guard.** Wire wheel or brush may expand in diameter due to work load and centrifugal forces.

Additional safety information

Wear safety goggles.



- ▶ **Use suitable detectors to determine if utility lines are hidden in the work area or call the local utility company for assistance.** Contact with electric lines can lead to fire and electric shock. Damaging a gas line can lead to explosion. Penetrating a water line causes property damage or may cause an electric shock.
- ▶ **Release the On/Off switch and set it to the off position when the power supply is interrupted, e. g., in case of a power failure or when the mains plug is pulled.** This prevents uncontrolled restarting.
- ▶ **Do not touch grinding discs until they have cooled down.** The discs can become very hot while working.
- ▶ **Secure the workpiece.** A workpiece clamped with clamping devices or in a vice is held more secure than by hand.

Product Description and Specifications



Read all the safety and general instructions.

Failure to observe the safety and general instructions may result in electric shock, fire and/or serious injury.

Please observe the illustrations at the beginning of this operating manual.

Intended Use

The power tool is intended for grinding and deburring metal with corundum grinding tools, as well as for working with sanding belt tools.

The power tool is additionally intended for brushing and polishing metal.

Product Features

The numbering of the product features refers to the diagram of the power tool on the graphics page.

- (1) Collet
- (2) Clamping nut
- (3) Grinding spindle
- (4) Spindle collar (insulated gripping surface)
- (5) On/off switch (GGS 30 LS / GGS 30 S)
- (6) Speed preselection thumbwheel
- (7) Handle (insulated gripping surface)
- (8) Open-ended spanner on the grinding spindle^{a)}
- (9) Open-ended spanner on the clamping nut^{a)}
- (10) Inner shank dimension L₀
- (11) On/off switch (GGS 30 LPS)

(12) Lock-off function for on/off switch (GGS 30 LPS)

(13) Spindle lock

a) This accessory is not part of the standard scope of delivery.

Technical Data

Straight grinder		GGS 30 LS	GGS 30 LPS	GGS 30 S
Article number		3 601 BB5 0..	3 601 BB5 2..	3 601 BB5 1..
Rated power input	W	750	750	750
Power output	W	400	400	400
Rated speed	min ⁻¹	33000	33000	33000
Speed adjustment range	min ⁻¹	7000–33000	7000–33000	7000–33000
Max. collet diameter	mm	8	8	8
Spanner flat on the				
– Clamping nut	mm	17	17	17
– Grinding spindle	mm	15	15	15
Spindle collar diameter	mm	43	43	43
Max. grinding tool diameter	mm	50	50	45
Max. inner shank dimension L ₀	mm	10	10	10
Max. shank length	mm	35	35	35
Constant electronic control		●	●	●
Speed preselection		●	●	●
KickBack Control		●	●	●
Restart protection		●	●	●
Soft start		●	●	●
Weight ^{A)}	kg	1.7	1.8	1.5
Protection class		□/II	□/II	□/II

A) Weight without mains connection cable and without mains plug

The specifications apply to a rated voltage [U] of 230 V. These specifications may vary at different voltages and in country-specific models.

Values can vary depending on the product, scope of application and environmental conditions. To find out more, visit www.bosch-professional.com/wac.

Fitting

- ▶ **Pull the plug out of the socket before carrying out any work on the power tool.**

Fitting Abrasive Tools Using an Open-Ended Spanner and Spindle Lock (see figure A)

- ▶ **Only use open-ended spanners that are suitable and undamaged (see "Technical Data").**
 - Clean the grinding spindle (3) and all the parts to be fitted.
 - Press the spindle lock (13) and turn the clamping nut (2) by hand until locked.
 - Press and hold the spindle lock and loosen the clamping nut (2) with the open-ended spanner (9) by turning it anticlockwise.
 - Insert the straight shank of the grinding tool all the way into the collet (1).
 - Press the spindle lock (13) and tighten the application tool by placing the open-ended spanner (9) on the spanner flat and turning it clockwise.

The grinding tools must run completely concentrically. Do not continue to use damaged grinding tools that are out of balance. If the grinding tools are out of balance, they should be replaced.

- ▶ **Do not, under any circumstances, tighten the collet with the clamping nut until a grinding tool has been fitted.** The collet may otherwise become damaged.
- ▶ **Only use mounted points with an appropriate shank diameter.** A mounting point with a shank diameter which does not correspond to the tool holder of the power tool (see "Technical data") cannot be held properly and will damage the collet chuck.
- ▶ **The application tool must be clamped at least 10 mm.** The inner shank dimension L₀ can be used to calculate the maximum permitted speed of the application tool from the specifications provided by the manufacturer of the application tool. It must not be less than the maximum speed of the power tool.

Fitting Abrasive Tools Using Two Open-Ended Spanners (see figure B)

- ▶ **Only use open-ended spanners that are suitable and undamaged (see "Technical Data").**
- Clean the grinding spindle (3) and all the parts to be fitted.
- Use an open-ended spanner (8) on the spanner flat of the grinder spindle (3) to hold it in place. Loosen the clamping nut (2) by placing an open-ended spanner (9) on the spanner flat and turning it counter-clockwise.
- Insert the straight shank of the grinding tool all the way into the collet (1).
- Hold the grinding spindle (3) with the open-ended spanner (8) and tighten the application tool by placing the open-ended spanner (9) on the spanner flat and turning it clockwise.

The grinding tools must run completely concentrically. Do not continue to use damaged grinding tools that are out of balance. If the grinding tools are out of balance, they should be replaced.

- ▶ **Do not, under any circumstances, tighten the collet with the clamping nut until a grinding tool has been fitted.** The collet may otherwise become damaged.
- ▶ **Only use mounted points with an appropriate shank diameter.** A mounting point with a shank diameter which does not correspond to the tool holder of the power tool (see "Technical data") cannot be held properly and will damage the collet chuck.
- ▶ **The application tool must be clamped at least 10 mm.** The inner shank dimension L_0 can be used to calculate the maximum permitted speed of the application tool from the specifications provided by the manufacturer of the application tool. It must not be less than the maximum speed of the power tool.

Dust/Chip Extraction

Dust from materials such as lead-containing coatings, some wood types, minerals and metal can be harmful to one's health. Touching or breathing-in the dust can cause allergic reactions and/or lead to respiratory infections of the user or bystanders.

Certain dust, such as oak or beech dust, is considered carcinogenic, especially in connection with wood-treatment additives (chromate, wood preservative). Materials containing asbestos may only be worked by specialists.

- Provide for good ventilation of the working place.
- It is recommended to wear a P2 filter-class respirator.

Observe the relevant regulations in your country for the materials to be worked.

- ▶ **Avoid dust accumulation at the workplace.** Dust can easily ignite.

Operation

Starting operation

- ▶ **Products that are only sold in AUS and NZ:** Use a residual current device (RCD) with a nominal residual current of 30 mA or less.
- ▶ **Pay attention to the mains voltage.** The voltage of the power source must match the voltage specified on the rating plate of the power tool.
- ▶ **Check whether there is visible damage to the collet (1) and clamping nut (2) before each use.**

Switching On and Off

GGG 30 LS/GGS 30 S

To **start** the power tool, slide the on/off switch (5) forwards.

To **lock** the on/off switch (5) in position, push the on/off switch (5) forwards and down until it clicks into place.

To **switch off** the power tool, release the on/off switch (5); or, if the switch is locked, briefly push the on/off switch (5) backwards and down and then release it.

Switching On and Off

GGG 30 LPS

To **start** the power tool, **first** slide the lock-off button (12) to the rear, **then** press and hold the on/off switch (11).

To **switch off** the power tool, release the on/off switch (11).

Constant Electronic control

The Constant Electronic keeps the speed at no load and under load virtually consistent, guaranteeing uniform performance.

Speed preselection

You can preselect the required speed using the speed preselection thumbwheel (6), even during operation.

The required speed depends on the material being worked and the diameter of the application tool. Observe the maximal allowable speed of the application tool.

GGG 30 LS/GGS 30 LPS

At maximum speed, the maximum permitted diameter of the accessory is 40 mm.

GGG 30 S

At maximum speed, the maximum permitted diameter of the accessory is 45 mm.

If you are using an accessory with a diameter of 50 mm, make sure that the speed is not greater than 30000 min⁻¹.

Thumbwheel position	No-load speed (min ⁻¹)
1	7000
2	9500
3	15000
4	19000
5	25000
6	33000

Kickback Control



If there is a sudden kickback in the power tool, e.g. jamming when carving, the power supply to the motor will be interrupted electronically.

To **restart** the tool, set the on/off switch **(5)/(11)** to the "off" position and then switch the power tool on again.

Restart Protection

The restart protection feature prevents the power tool from uncontrolled starting after the power supply to it has been interrupted.

To **restart** the tool, set the on/off switch **(5)/(11)** to the "off" position and then switch the power tool on again.

Note: Rapidly switching the power tool off and on again may trigger the restart protection, meaning the power tool may not start up even if the on/off switch **(5)/(11)** is pressed. Set the on/off switch **(5)/(11)** to the off position and then switch the power tool on again.

Soft start

The electronic soft start limits the torque when the power tool is switched on and increases the service life of the motor.

Practical advice

- ▶ **Pull the plug out of the socket before carrying out any work on the power tool.**
- ▶ **Protect the grinding tools against impact.**
- ▶ **Do not load the power tool so heavily that it comes to a stop.**
- ▶ **If the power tool has been subjected to a heavy load, continue to run it at no-load for several minutes to cool down the accessory.**
- ▶ **Grinding tools can become very hot while working. Do not touch them until they have cooled down.**

Move the grinding tool evenly back and forth with light pressure to achieve an optimum work result. Pressure that is too strong reduces the performance capability of the power tool and causes the grinding tool to wear more quickly.

Maintenance and Service

Maintenance and Cleaning

- ▶ **Pull the plug out of the socket before carrying out any work on the power tool.**
- ▶ **To ensure safe and efficient operation, always keep the power tool and the ventilation slots clean.**
- ▶ **In extreme conditions, always use a dust extractor if possible. Blow out ventilation slots frequently and install a residual current device (RCD) upstream.** When machining metals, conductive dust can settle inside the power tool, which can affect its protective insulation.

Store and handle the accessories carefully.

In order to avoid safety hazards, if the power supply cord needs to be replaced, this must be done by **Bosch** or by an

after-sales service centre that is authorised to repair **Bosch** power tools.

After-Sales Service and Application Service

Our after-sales service responds to your questions concerning maintenance and repair of your product as well as spare parts. You can find explosion drawings and information on spare parts at: www.bosch-pt.com

The Bosch product use advice team will be happy to help you with any questions about our products and their accessories.

In all correspondence and spare parts orders, please always include the 10-digit article number given on the nameplate of the product.

Malaysia

Robert Bosch Sdn. Bhd. (220975-V) PT/SMY
No. 8A, Jalan 13/6
46200 Petaling Jaya
Selangor
Tel.: (03) 79663194
Toll-Free: 1800 880188
Fax: (03) 79583838
E-Mail: kiathoe.chong@my.bosch.com
www.bosch-pt.com.my

You can find further service addresses at:

www.bosch-pt.com/serviceaddresses

Disposal

The power tool, accessories and packaging should be recycled in an environmentally friendly manner.



Do not dispose of power tools along with household waste.

Français

Consignes de sécurité

Avertissements de sécurité généraux pour l'outil

AVERTISSEMENT Lire tous les avertissements de sécurité et toutes les instructions.

Ne pas suivre les avertissements et instructions peut donner lieu à un choc électrique, un incendie et/ou une blessure sérieuse.

Conserver tous les avertissements et toutes les instructions pour pouvoir s'y reporter ultérieurement.

Le terme «outil» dans les avertissements fait référence à votre outil électrique alimenté par le secteur (avec cordon d'alimentation) ou votre outil fonctionnant sur batterie (sans cordon d'alimentation).

Sécurité de la zone de travail

- ▶ **Conserver la zone de travail propre et bien éclairée.**
Les zones en désordre ou sombres sont propices aux accidents.
- ▶ **Ne pas faire fonctionner les outils électriques en atmosphère explosive, par exemple en présence de liquides inflammables, de gaz ou de poussières.** Les outils électriques produisent des étincelles qui peuvent enflammer les poussières ou les fumées.
- ▶ **Maintenir les enfants et les personnes présentes à l'écart pendant l'utilisation de l'outil.** Les distractions peuvent vous faire perdre le contrôle de l'outil.

Sécurité électrique

- ▶ **Il faut que les fiches de l'outil électrique soient adaptées au socle. Ne jamais modifier la fiche de quelque façon que ce soit. Ne pas utiliser d'adaptateurs avec des outils à branchement de terre.** Des fiches non modifiées et des socles adaptés réduiront le risque de choc électrique.
- ▶ **Éviter tout contact du corps avec des surfaces reliées à la terre telles que les tuyaux, les radiateurs, les cuisinières et les réfrigérateurs.** Il existe un risque accru de choc électrique si votre corps est relié à la terre.
- ▶ **Ne pas exposer les outils à la pluie ou à des conditions humides.** La pénétration d'eau à l'intérieur d'un outil augmentera le risque de choc électrique.
- ▶ **Ne pas maltraiter le cordon. Ne jamais utiliser le cordon pour porter, tirer ou débrancher l'outil. Maintenir le cordon à l'écart de la chaleur, du lubrifiant, des arêtes ou des parties en mouvement.** Des cordons endommagés ou emmêlés augmentent le risque de choc électrique.
- ▶ **Lorsqu'on utilise un outil à l'extérieur, utiliser un prolongateur adapté à l'utilisation extérieure.** L'utilisation d'un cordon adapté à l'utilisation extérieure réduit le risque de choc électrique.
- ▶ **Si l'usage d'un outil dans un emplacement humide est inévitable, utiliser une alimentation protégée par un dispositif à courant différentiel résiduel (RCD).** L'usage d'un RCD réduit le risque de choc électrique.

Sécurité des personnes

- ▶ **Rester vigilant, regarder ce que vous êtes en train de faire et faire preuve de bon sens dans votre utilisation de l'outil. Ne pas utiliser un outil lorsque vous êtes fatigué ou sous l'emprise de drogues, d'alcool ou de médicaments.** Un moment d'inattention en cours d'utilisation d'un outil peut entraîner des blessures graves des personnes.
- ▶ **Utiliser un équipement de sécurité. Toujours porter une protection pour les yeux.** Les équipements de sécurité tels que les masques contre les poussières, les chaussures de sécurité antidérapantes, les casques ou les protections acoustiques utilisés pour les conditions appropriées réduiront les blessures de personnes.

- ▶ **Éviter tout démarrage intempestif. S'assurer que l'interrupteur est en position arrêté avant de brancher l'outil au secteur et/ou au bloc de batteries, de le ramasser ou de le porter.** Porter les outils en ayant le doigt sur l'interrupteur ou brancher des outils dont l'interrupteur est en position marche est source d'accidents.
- ▶ **Retirer toute clé de réglage avant de mettre l'outil en marche.** Une clé laissée fixée sur une partie tournante de l'outil peut donner lieu à des blessures de personnes.
- ▶ **Ne pas se précipiter. Garder une position et un équilibre adaptés à tout moment.** Cela permet un meilleur contrôle de l'outil dans des situations inattendues.
- ▶ **S'habiller de manière adaptée. Ne pas porter de vêtements amples ou de bijoux. Garder les cheveux, les vêtements et les gants à distance des parties en mouvement.** Des vêtements amples, des bijoux ou les cheveux longs peuvent être pris dans des parties en mouvement.
- ▶ **Si des dispositifs sont fournis pour le raccordement d'équipements pour l'extraction et la récupération des poussières, s'assurer qu'ils sont connectés et correctement utilisés.** Utiliser des collecteurs de poussière peut réduire les risques dus aux poussières.

Utilisation et entretien de l'outil

- ▶ **Ne pas forcer l'outil. Utiliser l'outil adapté à votre application.** L'outil adapté réalisera mieux le travail et de manière plus sûre au régime pour lequel il a été construit.
- ▶ **Ne pas utiliser l'outil si l'interrupteur ne permet pas de passer de l'état de marche à arrêté et vice versa.** Tout outil qui ne peut pas être commandé par l'interrupteur est dangereux et il faut le réparer.
- ▶ **Débrancher la fiche de la source d'alimentation en courant et/ou le bloc de batteries de l'outil avant tout réglage, changement d'accessoires ou avant de ranger l'outil.** De telles mesures de sécurité préventives réduisent le risque de démarrage accidentel de l'outil.
- ▶ **Conserver les outils à l'arrêt hors de la portée des enfants et ne pas permettre à des personnes ne connaissant pas l'outil ou les présentes instructions de le faire fonctionner.** Les outils sont dangereux entre les mains d'utilisateurs novices.
- ▶ **Observer la maintenance de l'outil. Vérifier qu'il n'y a pas de mauvais alignement ou de blocage des parties mobiles, des pièces cassées ou toute autre condition pouvant affecter le fonctionnement de l'outil. En cas de dommages, faire réparer l'outil avant de l'utiliser.** De nombreux accidents sont dus à des outils mal entretenus.
- ▶ **Garder affûtés et propres les outils permettant de couper.** Des outils destinés à couper correctement entretenus avec des pièces coupantes tranchantes sont moins susceptibles de bloquer et sont plus faciles à contrôler.
- ▶ **Utiliser l'outil, les accessoires et les lames etc., conformément à ces instructions, en tenant compte des conditions de travail et du travail à réaliser.** L'utilisation de l'outil pour des opérations différentes de celles

prévus pourrait donner lieu à des situations dangereuses.

Maintenance et entretien

- **Faire entretenir l'outil par un réparateur qualifié utilisant uniquement des pièces de rechange identiques.** Cela assurera que la sécurité de l'outil est maintenue.

Consignes de sécurité pour meuleuses droites

Avertissements de sécurité communs pour les opérations de meulage, de broissage métallique ou de lustrage

- **Cet outil électrique est destiné à fonctionner comme meuleuse, brosse métallique ou lustreuse. Lire toutes les mises en garde de sécurité, les instructions, les illustrations et les spécifications fournies avec cet outil électrique.** Le fait de ne pas suivre toutes les instructions données ci-dessous peut provoquer un choc électrique, un incendie et/ou une blessure grave.
- **Les opérations de ponçage ou de tronçonnage ne sont pas recommandées avec cet outil électrique.** Les opérations pour lesquelles l'outil électrique n'a pas été conçu peuvent provoquer un danger et causer un accident corporel.
- **Ne pas utiliser d'accessoires non conçus spécifiquement et recommandés par le fabricant d'outils.** Le simple fait que l'accessoire puisse être fixé à votre outil électrique ne garantit pas un fonctionnement en toute sécurité.
- **La vitesse assignée de l'accessoire doit être au moins égale à la vitesse maximale indiquée sur l'outil électrique.** Les accessoires fonctionnant plus vite que leur vitesse assignée peuvent se rompre et voler en éclat.
- **Le diamètre extérieur et l'épaisseur de votre accessoire doivent se situer dans le cadre des caractéristiques de capacité de votre outil électrique.** Les accessoires dimensionnés de façon incorrecte ne peuvent pas être protégés ou commandés de manière appropriée.
- **Le montage fileté d'accessoires doit être adapté au filet de l'arbre de la meuleuse. Pour les accessoires montés avec des flasques, l'alésage central de l'accessoire doit s'adapter correctement au diamètre du flasque.** Les accessoires qui ne correspondent pas aux éléments de montage de l'outil électrique seront en déséquilibre, vibreront de manière excessive et pourront provoquer une perte de contrôle.
- **Ne pas utiliser d'accessoire endommagé. Avant chaque utilisation examiner les accessoires comme les meules abrasives pour détecter la présence éventuelle de copeaux et fissures, les patins d'appui pour détecter des traces éventuelles de fissures, de déchirure ou d'usure excessive, ainsi que les brosses métalliques pour détecter des fils desserrés ou fissurés. Si l'outil électrique ou l'accessoire a subi une chute, examiner les dommages éventuels ou installer un accessoire non endommagé. Après examen et installation d'un accessoire, placez-vous ainsi que les personnes**

présentes à distance du plan de l'accessoire rotatif et faire marcher l'outil électrique à vitesse maximale à vide pendant 1 min. Les accessoires endommagés seront normalement détruits pendant cette période d'essai.

- **Porter un équipement de protection individuelle. En fonction de l'application, utiliser un écran facial, des lunettes de sécurité ou des verres de sécurité. Le cas échéant, utiliser un masque antipoussières, des protections auditives, des gants et un tablier capables d'arrêter les petits fragments abrasifs ou des pièces à usiner.** La protection oculaire doit être capable d'arrêter les débris volants produits par les diverses opérations. Le masque antipoussières ou le respirateur doit être capable de filtrer les particules produites par vos travaux. L'exposition prolongée aux bruits de forte intensité peut provoquer une perte de l'audition.
- **Maintenir les personnes présentes à une distance de sécurité par rapport à la zone de travail. Toute personne entrant dans la zone de travail doit porter un équipement de protection individuelle.** Des fragments de pièce à usiner ou d'un accessoire cassé peuvent être projetés et provoquer des blessures en dehors de la zone immédiate d'opération.
- **Tenir l'outil uniquement par les surfaces de préhension isolantes, pendant les opérations au cours desquelles l'accessoire coupant peut être en contact avec des conducteurs cachés ou avec son propre câble.** Le contact de l'accessoire coupant avec un fil «sous tension» peut mettre «sous tension» les parties métalliques exposées de l'outil électrique et provoquer un choc électrique sur l'opérateur.
- **Placer le câble éloigné de l'accessoire de rotation.** Si vous perdez le contrôle, le câble peut être coupé ou subir un accroch et votre main ou votre bras peut être tiré dans l'accessoire de rotation.
- **Ne jamais reposer l'outil électrique avant que l'accessoire n'ait atteint un arrêt complet.** L'accessoire de rotation peut agripper la surface et arracher l'outil électrique hors de votre contrôle.
- **Ne pas faire fonctionner l'outil électrique en le portant sur le côté.** Un contact accidentel avec l'accessoire de rotation pourrait accrocher vos vêtements et attirer l'accessoire sur vous.
- **Nettoyer régulièrement les orifices d'aération de l'outil électrique.** Le ventilateur du moteur attirera la poussière à l'intérieur du boîtier et une accumulation excessive de poudre de métal peut provoquer des dangers électriques.
- **Ne pas faire fonctionner l'outil électrique à proximité de matériaux inflammables.** Des étincelles pourraient enflammer ces matériaux.
- **Ne pas utiliser d'accessoires qui nécessitent des réfrigérants fluides.** L'utilisation d'eau ou d'autres réfrigérants fluides peut aboutir à une électrocution ou un choc électrique.

Rebonds et mises en garde correspondantes

Le rebond est une réaction soudaine au pincement ou à l'accrochage d'une meule rotative, d'un patin d'appui, d'une brosse ou de tout autre accessoire. Le pincement ou l'accrochage provoque un blocage rapide de l'accessoire en rotation qui, à son tour, contraint l'outil électrique hors de contrôle dans le sens opposé de rotation de l'accessoire au point du grippage.

Par exemple, si une meule abrasive est accrochée ou pincée par la pièce à usiner, le bord de la meule qui entre dans le point de pincement peut creuser la surface du matériau, provoquant des sauts ou l'expulsion de la meule. La meule peut sauter en direction de l'opérateur ou encore en s'en éloignant, selon le sens du mouvement de la meule au point de pincement. Les meules abrasives peuvent également se rompre dans ces conditions.

Le rebond résulte d'un mauvais usage de l'outil et/ou de procédures ou de conditions de fonctionnement incorrectes et peut être évité en prenant les précautions appropriées spécifiées ci-dessous.

- ▶ **Maintenir fermement l'outil électrique et placer votre corps et vos bras pour vous permettre de résister aux forces de rebond. Toujours utiliser une poignée auxiliaire, le cas échéant, pour une maîtrise maximale du rebond ou de la réaction de couple au cours du démarrage.** L'opérateur peut maîtriser les couples de réaction ou les forces de rebond, si les précautions qui s'imposent sont prises.
- ▶ **Ne jamais placer votre main à proximité de l'accessoire en rotation.** L'accessoire peut effectuer un rebond sur votre main.
- ▶ **Ne pas vous placer dans la zone où l'outil électrique se déplacera en cas de rebond.** Le rebond pousse l'outil dans le sens opposé au mouvement de la meule au point d'accrochage.
- ▶ **Apporter un soin particulier lors de travaux dans les coins, les arêtes vives etc. Éviter les rebondissements et les accrochages de l'accessoire.** Les coins, les arêtes vives ou les rebondissements ont tendance à accrocher l'accessoire en rotation et à provoquer une perte de contrôle ou un rebond.
- ▶ **Ne pas fixer de chaîne coupante, de lame de sculpture sur bois, de chaîne coupante ni de lame de scie dentée.** De telles lames provoquent des rebonds fréquents et des pertes de contrôle.

Mises en garde de sécurité spécifiques aux opérations de meulage

- ▶ **Utiliser uniquement des types de meules recommandés pour votre outil électrique et le protecteur spécifique conçu pour la meule choisie.** Les meules pour lesquelles l'outil électrique n'a pas été conçu ne peuvent pas être protégées de façon satisfaisante et sont dangereuses.
- ▶ **La surface de meulage des meules à moyeu déporté doit être montée sous le plan de la lèvre du protecteur.** Une meule montée de manière incorrecte qui dé-

passe du plan de la lèvre du protecteur ne peut pas être protégée de manière appropriée.

- ▶ **Les meules doivent être utilisées uniquement pour les applications recommandées. Par exemple: ne pas meuler avec le côté de la meule à tronçonner.** Les meules à tronçonner abrasives sont destinées au meulage périphérique, l'application de forces latérales à ces meules peut les briser en éclats.
- ▶ **Toujours utiliser des flasques de meule non endommagés qui sont de taille et de forme correctes pour la meule que vous avez choisie.** Des flasques de meule appropriés supportent la meule réduisant ainsi la possibilité de rupture de la meule. Les flasques pour les meules à tronçonner peuvent être différents des autres flasques de meule.
- ▶ **Ne pas utiliser de meules usées d'outils électriques plus grands.** La meule destinée à un outil électrique plus grand n'est pas appropriée pour la vitesse plus élevée d'un outil plus petit et elle peut éclater.

Mises en garde de sécurité spécifiques aux opérations de lustrage

- ▶ **Ne permettre à aucune partie lâche du bonnet de lustrage ou de ses fils de fixation de tourner librement. Cacher ou tailler tous les fils de fixation lâches.** Les fils de fixation lâches et en rotation peuvent s'enchevêtrer sur vos doigts ou s'accrocher sur la pièce à usiner.

Mises en garde de sécurité spécifiques aux opérations de brossage métallique

- ▶ **Garder à l'esprit que des brins métalliques sont rejetés par la brosse même au cours d'une opération ordinaire. Ne pas soumettre à une trop grande contrainte les fils métalliques en appliquant une charge excessive à la brosse.** Les brins métalliques peuvent aisément pénétrer dans des vêtements légers et/ou la peau.
- ▶ **Si l'utilisation d'un protecteur est recommandée pour le brossage métallique, ne permettre aucune gêne du touret ou de la brosse métallique au protecteur.** Le touret ou la brosse métallique peut se dilater en diamètre en raison de la charge de travail et des forces centrifuges.

Consignes de sécurité additionnelles

Portez toujours des lunettes de protection.



- ▶ **Utilisez un détecteur approprié pour vérifier s'il n'y a pas de conduites cachées ou contactez votre société de distribution d'eau locale.** Tout contact avec des câbles électriques peut provoquer un incendie ou un choc électrique. Tout endommagement d'une conduite de gaz peut provoquer une explosion. La perforation d'une conduite d'eau provoque des dégâts matériels et peut provoquer un choc électrique.
- ▶ **Déverrouiller l'interrupteur Marche/Arrêt et le mettre dans la position d'arrêt, si l'alimentation en courant est interrompue, par ex. par une panne de courant ou**

quand la fiche du secteur est débranchée. Ceci permet d'éviter un redémarrage incontrôlé.

- ▶ **Attendez que les meules aient refroidi avant de les toucher.** Les meules deviennent très chaudes pendant leur utilisation.
- ▶ **Bloquez la pièce à travailler.** Une pièce à travailler serrée par des dispositifs de serrage appropriés ou dans un étau est fixée de manière plus sûre que quand elle est tenue avec une main.

Description des prestations et du produit



Lisez attentivement toutes les instructions et consignes de sécurité. Le non-respect des instructions et consignes de sécurité peut provoquer un choc électrique, un incendie et/ou entraîner de graves blessures.

Référez-vous aux illustrations qui se trouvent à l'avant de la notice d'utilisation.

Utilisation conforme

L'outil électroportatif est conçu pour le meulage et l'ébavurage de métaux au moyen de meules au corindon et pour le travail avec des dispositifs de bandes abrasives.

Caractéristiques techniques

Meuleuse droite		GGG 30 LS	GGG 30 LPS	GGG 30 S
Référence		3 601 BB5 0..	3 601 BB5 2..	3 601 BB5 1..
Puissance absorbée nominale	W	750	750	750
Puissance débitée	W	400	400	400
Régime nominal	tr/min	33 000	33 000	33 000
Plage de réglage de vitesses de rotation	tr/min	7 000–33 000	7 000–33 000	7 000–33 000
Diamètre de pince de serrage maxi	mm	8	8	8
Méplat sur				
– écrou de serrage	mm	17	17	17
– Broche d'entraînement	mm	15	15	15
Diamètre de collet de broche	mm	43	43	43
Diamètre maxi de l'accessoire de meulage	mm	50	50	45
Longueur libre maxi L ₀	mm	10	10	10
Longueur de tige maxi	mm	35	35	35
Constante électronique		●	●	●
Présélection de vitesse de rotation		●	●	●
Arrêt en cas de rebond (KickBack Control)		●	●	●
Protection anti-redémarrage		●	●	●
Démarrage progressif		●	●	●
Poids ^{A)}	kg	1,7	1,8	1,5

Cet outil électroportatif est également conçu pour le broyage et le polissage du métal.

Éléments constitutifs

La numérotation des éléments se réfère à la représentation de l'outil électroportatif sur la page graphique.

- (1) Pince de serrage
- (2) Écrou de serrage
- (3) Broche d'entraînement
- (4) Collet de broche (surface de prise en main isolée)
- (5) Interrupteur Marche/Arrêt (GGG 30 LS / GGS 30 S)
- (6) Molette de présélection de vitesse
- (7) Poignée (surface de prise en main isolée)
- (8) Clé plate pour broche d'entraînement^{a)}
- (9) Clé plate pour écrou de serrage^{a)}
- (10) Longueur libre maximale L₀
- (11) Interrupteur Marche/Arrêt (GGG 30 LPS)
- (12) Verrouillage d'enclenchement de l'interrupteur Marche/Arrêt (GGG 30 LPS)
- (13) Blocage de broche

a) **Ces accessoires ne sont pas compris dans la fourniture.**

Meuleuse droite	GGG 30 LS	GGG 30 LPS	GGG 30 S
Classe de protection	□ / II	□ / II	□ / II

A) Poids sans cordon d'alimentation ni fiche mâle

Les données indiquées sont valables pour une tension nominale [U] de 230 V. Elles peuvent varier lorsque la tension diffère de cette valeur et sur certaines versions destinées à certains pays.

Les valeurs peuvent varier selon le produit, les conditions d'utilisation et les conditions ambiantes. Pour plus d'informations, rendez-vous sur www.bosch-professional.com/wac.

Montage

- **Débranchez le câble d'alimentation de la prise avant d'effectuer des travaux quels qu'il soient sur l'outil électroportatif.**

Montage des accessoires de meulage avec une clé plate et le blocage de broche (voir figure A)

- **N'utilisez que des clés plates adéquates et en bon état (voir « Caractéristiques techniques »).**

- Nettoyez la broche d'entraînement (3) et toutes les pièces à monter.
- Appuyez sur le blocage de broche (13) et tournez l'écrou de serrage (2) à la main jusqu'à ce qu'il se bloque.
- Tout en maintenant le blocage de broche enfoncé, desserrez l'écrou de serrage (2) avec la clé plate (9) en tournant dans le sens inverse des aiguilles d'une montre.
- Insérez la tige de la meule jusqu'en butée dans la pince de serrage (1).
- Appuyez sur le blocage de broche (13) et serrez l'accessoire de travail en appliquant la clé plate (9) sur le méplat et en tournant dans le sens horaire.

Les outils de meulage doivent pouvoir tourner parfaitement sans balourds. Ne continuez pas à utiliser des outils de meulage excentriques mais changez-les.

- **Ne serrez en aucun cas la pince de serrage à l'aide de l'écrou de serrage tant que l'outil de meulage n'est pas monté.** La pince de serrage risque sinon d'être endommagée.

- **N'utilisez que des meules sur tige avec diamètre de tige approprié.** Une meule sur tige dont le diamètre de tige ne correspond pas au porte-outil (voir « Caractéristiques techniques ») ne peut pas être tenue correctement et endommage la pince de serrage.

- **L'accessoire doit être enfoncé d'au moins 10 mm.** Grâce à la longueur de tige nominale L_0 il est possible de déterminer la vitesse de rotation maximale admissible de l'accessoire à partir des données du fabricant de l'accessoire. Cette vitesse ne doit pas se trouver en dessous de la vitesse de rotation maximale de l'accessoire.

Montage des accessoires de meulage avec deux clés plates (voir figure B)

- **N'utilisez que des clés plates adéquates et en bon état (voir « Caractéristiques techniques »).**

- Nettoyez la broche d'entraînement (3) et toutes les pièces à monter.

- Tenez la broche d'entraînement (3) au moyen de la clé plate (8) placée sur la face de clé.
- Desserrez l'écrou de serrage (2) au moyen de la clé plate (9) placée sur la face de clé par une rotation dans le sens antihoraire.
- Insérez l'outil de meulage à queue cylindrique jusqu'en butée dans la pince de serrage (1).
- Tenez la broche d'entraînement (3) au moyen de la clé plate (8) et serrez l'accessoire de travail au moyen de la clé plate (9) placée sur la face de clé par une rotation dans le sens horaire.

Les outils de meulage doivent pouvoir tourner parfaitement sans balourds. Ne continuez pas à utiliser des outils de meulage excentriques mais changez-les.

- **Ne serrez en aucun cas la pince de serrage à l'aide de l'écrou de serrage tant que l'outil de meulage n'est pas monté.** La pince de serrage risque sinon d'être endommagée.

- **N'utilisez que des meules sur tige avec diamètre de tige approprié.** Une meule sur tige dont le diamètre de tige ne correspond pas au porte-outil (voir « Caractéristiques techniques ») ne peut pas être tenue correctement et endommage la pince de serrage.

- **L'accessoire doit être enfoncé d'au moins 10 mm.** Grâce à la longueur de tige nominale L_0 il est possible de déterminer la vitesse de rotation maximale admissible de l'accessoire à partir des données du fabricant de l'accessoire. Cette vitesse ne doit pas se trouver en dessous de la vitesse de rotation maximale de l'accessoire.

Aspiration de poussières/de copeaux

Les poussières de matériaux tels que peintures contenant du plomb, certains bois, minéraux ou métaux, peuvent être nuisibles à la santé. Entrer en contact ou aspirer les poussières peut entraîner des réactions allergiques et/ou des maladies respiratoires auprès de l'utilisateur ou de personnes se trouvant à proximité.

Certaines poussières telles que les poussières de chêne ou de hêtre sont considérées comme cancérigènes, surtout en association avec des additifs pour le traitement du bois (chromate, lazure). Les matériaux contenant de l'amiante ne doivent être travaillés que par des personnes qualifiées.

- Veillez à bien aérer la zone de travail.
- Il est recommandé de porter un masque respiratoire avec un niveau de filtration de classe P2.

Respectez les règlements spécifiques aux matériaux à traiter en vigueur dans votre pays.

- **Évitez toute accumulation de poussières sur le lieu de travail.** Les poussières peuvent facilement s'enflammer.

Mise en marche

Mise en marche

- **Tenez compte de la tension secteur !** La tension du secteur doit correspondre aux indications se trouvant sur la plaque signalétique de l'outil électroportatif.
- **Assurez-vous avant chaque utilisation que la pince de serrage (1) et l'écrou de serrage (2) ne présentent aucun dommage visible.**

Mise en marche/arrêt

GGS 30 LS/GGS 30 S

Pour **mettre en marche** l'outil électroportatif, poussez l'interrupteur Marche/Arrêt (5) vers l'avant.

Pour **bloquer** l'interrupteur Marche/Arrêt (5), appuyez sur l'interrupteur Marche/Arrêt (5) jusqu'à ce qu'il s'enclenche.

Pour **arrêter** l'outil électroportatif, relâchez l'interrupteur Marche/Arrêt (5) ou, s'il a été bloqué, appuyez brièvement sur la partie arrière de l'interrupteur Marche/Arrêt (5), puis relâchez ce dernier.

Mise en marche/arrêt

GGS 30 LPS

Pour **mettre en marche** l'outil électroportatif, poussez **d'abord** le verrouillage d'enclenchement (12) vers l'arrière et appuyez **ensuite** sur l'interrupteur Marche/Arrêt (11) et maintenez-le appuyé.

Pour **arrêter** l'outil électroportatif, relâchez l'interrupteur Marche/Arrêt (11).

Constante électronique

La constante électronique permet de maintenir presque constante la vitesse de rotation en marche à vide et en charge, et assure ainsi une performance régulière.

Présélection de la vitesse de rotation

La molette de présélection de vitesse (6) permet de sélectionner la vitesse de rotation requise (même durant l'utilisation de l'outil).

La vitesse de rotation requise dépend du type de matériau et du diamètre de l'accessoire de travail. Respectez la vitesse de rotation maximale admissible de l'accessoire de travail.

GGS 30 LS/GGS 30 LPS

À plein régime, le diamètre maximum autorisé de l'accessoire est de 40 mm.

GGS 30 S

À plein régime, le diamètre maximum autorisé de l'accessoire est de 45 mm.

Lorsque vous utilisez des accessoires de 50 mm de diamètre, veillez à ce que le régime ne dépasse pas 30 000 tr/min.

Position molette de présélection	Régime à vide (tr/min)
1	7 000
2	9 500
3	15 000

Position molette de présélection	Régime à vide (tr/min)
4	19 000
5	25 000
6	33 000

4	19 000
5	25 000
6	33 000

Arrêt en cas de contrecoup



En cas de rebond soudain de l'outil électroportatif, par ex. blocage lors d'un fraisage, un circuit électronique coupe l'alimentation électrique du moteur.

Pour **remettre en marche** l'outil électroportatif, placez l'interrupteur Marche/Arrêt (5)/(11) dans la position arrêt et redémarrez l'outil électroportatif.

Protection anti-redémarrage

La protection anti-redémarrage évite le démarrage incontrôlé de l'outil électroportatif après une coupure de courant.

Pour **remettre en marche** l'outil électroportatif, placez l'interrupteur Marche/Arrêt (5)/(11) dans la position arrêt et redémarrez l'outil électroportatif.

Remarque : Le fait de remettre l'outil en marche aussitôt après son arrêt peut activer la protection anti-redémarrage. Dans un tel cas, l'outil électroportatif ne démarre pas bien que l'interrupteur Marche/Arrêt (5)/(11) soit sur Marche. Mettez l'interrupteur Marche/Arrêt (5)/(11) dans la position Arrêt et remettez l'outil électroportatif en marche.

Démarrage progressif

La fonction démarrage progressif limite le couple lors de la mise en marche et augmente la durée de vie du moteur.

Instructions d'utilisation

- **Débranchez le câble d'alimentation de la prise avant d'effectuer des travaux quels qu'il soient sur l'outil électroportatif.**
- **Protégez les outils abrasifs contre les coups.**
- **Ne provoquez pas l'arrêt de l'outil électroportatif en exerçant une pression trop forte.**
- **Après l'avoir fortement sollicité, laissez tourner l'outil électroportatif à vide pendant quelques minutes pour refroidir l'accessoire de travail.**
- **Les meules deviennent très chaudes pendant leur utilisation. Attendez qu'elles aient refroidi avant de les toucher.**

Pour un résultat optimal, guidez la meule de façon régulière en exerçant une pression modérée. Une pression trop forte réduit la performance de l'outil électroportatif et la meule s'use plus vite.

Entretien et Service après-vente

Nettoyage et entretien

- **Débranchez le câble d'alimentation de la prise avant d'effectuer des travaux quels qu'il soient sur l'outil électroportatif.**

- ▶ **Toujours tenir propres l'outil électroportatif ainsi que les fentes de ventilation afin d'obtenir un travail impeccable et sûr.**
- ▶ **Dans la mesure du possible, utilisez toujours un aspirateur quand les conditions de travail sont extrêmes. Soufflez fréquemment de l'air comprimé au travers des fentes de ventilation et placez un disjoncteur différentiel (PRCD) en amont.** Lors du travail des métaux, il est possible que des poussières métalliques à effet conducteur se déposent à l'intérieur de l'outil. La double isolation de l'outil électroportatif risque alors d'être endommagée.

Stockez et traitez les accessoires avec précaution.

Dans le cas où il s'avère nécessaire de remplacer le câble d'alimentation, confiez le remplacement à **Bosch** ou une station de Service Après-Vente agréée pour outillage **Bosch** afin de ne pas compromettre la sécurité.

Service après-vente et conseil utilisateurs

Notre Service Après-Vente répond à vos questions concernant la réparation et l'entretien de votre produit et les pièces de rechange. Des vues éclatées ainsi que des informations concernant les pièces de rechange se trouvent également sous : www.bosch-pt.com

L'équipe de conseil utilisateurs Bosch se tient à votre disposition pour répondre à vos questions concernant nos produits et leurs accessoires.

Pour toute demande de renseignement ou commande de pièces de rechange, nous précisons impérativement le numéro d'article à dix chiffres indiqué sur la plaque signalétique du produit.

Maroc

Robert Bosch Morocco SARL
53, Rue Lieutenant Mahroud Mohamed
20300 Casablanca
Tel. : +212 5 29 31 43 27
E-Mail : sav.outillage@ma.bosch.com

Vous trouverez d'autres adresses de service sous :

www.bosch-pt.com/serviceaddresses

Élimination des déchets

Les outils électroportatifs, ainsi que leurs accessoires et emballages, doivent pouvoir suivre chacun une voie de recyclage appropriée.



Ne jetez pas les outils électroportatifs avec les ordures ménagères !

Português

Instruções de segurança

Indicações gerais de advertência para ferramentas eléctricas

AVISO

Devem ser lidas todas as indicações de advertência e todas

as instruções. O desrespeito das advertências e instruções apresentadas abaixo pode causar choque eléctrico, incêndio e/ou graves lesões.

Guarde bem todas as advertências e instruções para futura referência.

O termo "ferramenta eléctrica" utilizado a seguir nas indicações de advertência, refere-se a ferramentas eléctricas operadas com corrente de rede (com cabo de rede) e a ferramentas eléctricas operadas com acumulador (sem cabo de rede).

Segurança da área de trabalho

- ▶ **Mantenha a sua área de trabalho sempre limpa e bem iluminada.** Desordem ou áreas de trabalho insuficientemente iluminadas podem levar a acidentes.
- ▶ **Não trabalhar com a ferramenta eléctrica em áreas com risco de explosão, nas quais se encontrem líquidos, gases ou pós inflamáveis.** Ferramentas eléctricas produzem faíscas, que podem inflamar pós ou vapores.
- ▶ **Manter crianças e outras pessoas afastadas da ferramenta eléctrica durante a utilização.** No caso de distração é possível que perca o controlo sobre o aparelho.

Segurança eléctrica

- ▶ **A ficha de conexão da ferramenta eléctrica deve caber na tomada. A ficha não deve ser modificada de maneira alguma. Não utilizar uma ficha de adaptação junto com ferramentas eléctricas protegidas por ligação à terra.** Fichas não modificadas e tomadas apropriadas reduzem o risco de um choque eléctrico.
- ▶ **Evitar que o corpo possa entrar em contacto com superfícies ligadas à terra, como tubos, aquecimentos, fogões e frigoríficos.** Há um risco elevado devido a um choque eléctrico, se o corpo estiver ligado à terra.
- ▶ **Manter o aparelho afastado de chuva ou humidade.** A infiltração de água numa ferramenta eléctrica aumenta o risco de choque eléctrico.
- ▶ **Não deverá utilizar o cabo para outras finalidades. Nunca utilizar o cabo para transportar a ferramenta eléctrica, para pendurá-la, nem para puxar a ficha da tomada. Manter o cabo afastado do calor, do óleo, de arestas afiadas ou de peças em movimento.** Cabos danificados ou emaranhados aumentam o risco de um choque eléctrico.

- ▶ **Se trabalhar com uma ferramenta eléctrica ao ar livre, só deverá utilizar cabos de extensão apropriados para áreas exteriores.** A utilização de um cabo de extensão apropriado para áreas exteriores reduz o risco de um choque eléctrico.
- ▶ **Se não for possível evitar o funcionamento da ferramenta eléctrica em áreas húmidas, deverá ser utilizado um disjuntor de corrente de avaria.** A utilização de um disjuntor de corrente de avaria reduz o risco de um choque eléctrico.

Segurança de pessoas

- ▶ **Esteja atento, observe o que está a fazer e tenha prudência ao trabalhar com a ferramenta eléctrica. Não utilizar uma ferramenta eléctrica quando estiver fatigado ou sob a influência de drogas, álcool ou medicamentos.** Um momento de descuido ao utilizar a ferramenta eléctrica, pode levar a lesões graves.
- ▶ **Utilizar equipamento de protecção individual. Utilizar sempre óculos de protecção.** A utilização de equipamento de protecção pessoal, como máscara de protecção contra pó, sapatos de segurança antiderrapantes, capacete de segurança ou protecção auricular, de acordo com o tipo e aplicação da ferramenta eléctrica, reduz o risco de lesões.
- ▶ **Evitar uma colocação em funcionamento involuntária. Assegure-se de que a ferramenta eléctrica esteja desligada, antes de conectá-la à alimentação de rede e/ou ao acumulador, antes de levantá-la ou de transportá-la.** Se tiver o dedo no interruptor ao transportar a ferramenta eléctrica ou se o aparelho for conectado à alimentação de rede enquanto estiver ligado, poderão ocorrer acidentes.
- ▶ **Remover ferramentas de ajuste ou chaves de boca antes de ligar a ferramenta eléctrica.** Uma ferramenta ou chave que se encontre numa parte do aparelho em movimento pode levar a lesões.
- ▶ **Evite uma posição anormal. Mantenha uma posição firme e mantenha sempre o equilíbrio.** Desta forma é mais fácil controlar a ferramenta eléctrica em situações inesperadas.
- ▶ **Usar roupa apropriada. Não usar roupa larga nem jóias. Mantenha os cabelos, roupas e luvas afastadas de partes em movimento.** Roupas frouxas, cabelos longos ou jóias podem ser agarrados por peças em movimento.
- ▶ **Se for possível montar dispositivos de aspiração ou de recolha, assegure-se de que estejam conectados e utilizados correctamente.** A utilização de uma aspiração de pó pode reduzir o perigo devido ao pó.

Utilização e manuseio cuidadoso de ferramentas eléctricas

- ▶ **Não sobrecarregue a ferramenta eléctrica. Utilize a ferramenta eléctrica apropriada para o seu trabalho.** É melhor e mais seguro trabalhar com a ferramenta eléctrica apropriada na área de potência indicada.

- ▶ **Não utilizar uma ferramenta eléctrica com um interruptor defeituoso.** Uma ferramenta eléctrica que não pode mais ser ligada nem desligada, é perigosa e deve ser reparada.
- ▶ **Puxar a ficha da tomada e/ou remover o acumulador antes de executar ajustes no aparelho, de substituir acessórios ou de guardar o aparelho.** Esta medida de segurança evita o arranque involuntário da ferramenta eléctrica.
- ▶ **Guardar ferramentas eléctricas não utilizadas fora do alcance de crianças e não permitir que as pessoas que não estejam familiarizadas com o aparelho ou que não tenham lido estas instruções utilizem o aparelho.** Ferramentas eléctricas são perigosas se forem utilizadas por pessoas inexperientes.
- ▶ **Tratar a ferramenta eléctrica com cuidado. Controlar se as partes móveis do aparelho funcionam perfeitamente e não emperram, e se há peças quebradas ou danificadas que possam prejudicar o funcionamento da ferramenta eléctrica. Permitir que peças danificadas sejam reparadas antes da utilização.** Muitos acidentes têm como causa, a manutenção insuficiente de ferramentas eléctricas.
- ▶ **Manter as ferramentas de corte afiadas e limpas.** Ferramentas de corte cuidadosamente tratadas e com cantos de corte afiados emperram com menos frequência e podem ser conduzidas com maior facilidade.
- ▶ **Utilizar a ferramenta eléctrica, acessórios, ferramentas de aplicação, etc. conforme estas instruções. Considerar as condições de trabalho e a tarefa a ser executada.** A utilização de ferramentas eléctricas para outras tarefas a não ser as aplicações previstas, pode levar a situações perigosas.

Serviço

- ▶ **Só permita que o seu aparelho seja reparado por pessoal especializado e qualificado e só com peças de reposição originais.** Desta forma é assegurado o funcionamento seguro do aparelho.

Instruções de segurança para retificadora direita

Instruções de segurança comuns para lixamento, escovagem com arame ou polimento

- ▶ **Esta ferramenta eléctrica foi concebida para funcionar como uma rebarbadora, escova de arame ou polidora. Devem ser lidas todas as indicações de segurança, instruções, ilustrações e especificações desta ferramenta eléctrica.** O desrespeito das instruções apresentadas abaixo poderá resultar em choque eléctrico, incêndio e/ou ferimentos graves.
- ▶ **Não é recomendado utilizar esta ferramenta eléctrica para executar operações de lixamento ou corte.** A execução de operações para as quais a ferramenta eléctrica não foi concebida pode acarretar riscos e provocar lesões.

- ▶ **Não utilize acessórios que não tenham sido especificamente concebidos e recomendados pelo fabricante da ferramenta.** Mesmo que seja possível adaptar o acessório à sua ferramenta elétrica, isso não constitui uma garantia de utilização segura.
 - ▶ **A velocidade nominal do acessório deve ser, no mínimo, igual à velocidade máxima indicada na ferramenta elétrica.** Os acessórios que forem utilizados a uma velocidade superior àquela para a qual foram concebidos poderão desintegrar-se e projetar fragmentos.
 - ▶ **O diâmetro externo e a espessura do acessório devem ser compatíveis com a potência nominal da sua ferramenta elétrica.** Os acessórios com um tamanho incorreto não podem ser devidamente protegidos ou controlados.
 - ▶ **Os acessórios roscados devem ser compatíveis com a rosca do veio da rebarbadora. No caso dos acessórios montados por meio de flanges, o orifício de instalação do acessório deve adaptar-se ao diâmetro fixo do flange.** Os acessórios não compatíveis com o hardware de instalação da ferramenta elétrica irão funcionar de forma desequilibrada, vibrar excessivamente e poderão provocar a perda de controlo.
 - ▶ **Não utilize um acessório danificado. Antes de cada utilização, inspecione os acessórios como, por exemplo, discos abrasivos quanto a presença de lascas e fissuras, prato de apoio quanto à presença de fissuras ou desgaste excessivo, escova de arame quanto à presença de fios soltos ou partidos. Se deixar cair a ferramenta elétrica ou o acessório, verifique se há danos ou instale um acessório intacto. Depois de inspecionar e instalar um acessório, proteja-se a si e às outras pessoas do plano do acessório rotativo e faça funcionar a ferramenta elétrica com o número máximo de rotações em vazio durante um minuto.** Normalmente, os acessórios danificados desintegram-se durante este período de teste.
 - ▶ **Use equipamento de proteção individual. Dependendo da aplicação, use uma viseira ou óculos de proteção. Consoante o caso, use máscara de proteção contra pó, proteções auriculares, luvas e um avental de trabalho com capacidade para deter pequenos fragmentos abrasivos ou da peça de trabalho.** Os óculos de proteção devem proteger contra quaisquer detritos projetados durante as diversas operações. A máscara de proteção contra pó ou máscara respiratória devem ter capacidade para filtrar a partículas geradas durante o seu trabalho. A exposição prolongada a ruídos de elevada intensidade poderá causar perda de audição.
 - ▶ **Mantenha as outras pessoas presentes no local a uma distância segura da área de trabalho. Qualquer pessoa que entre na área de trabalho tem de usar equipamento de proteção individual.** Os fragmentos de uma peça de trabalho ou de um acessório partido podem ser projetados e provocar ferimentos fora da área de trabalho imediata.
 - ▶ **Segure a ferramenta elétrica exclusivamente nas superfícies de manuseamento isoladas ao efetuar uma operação na qual o acessório de corte possa entrar em contacto com fios elétricos ocultos ou com o seu próprio cabo.** Se o acessório de corte entrar em contacto com um fio "sob tensão", as partes metálicas expostas da ferramenta elétrica ficam "sob tensão" e podem produzir um choque elétrico.
 - ▶ **Afaste o cabo do acessório rotativo.** Na eventualidade de perder o controlo, o cabo pode ser cortado ou ficar preso e a sua mão ou braço podem ser puxados na direção do acessório rotativo.
 - ▶ **Nunca pouse a ferramenta elétrica até que o acessório tenha parado por completo.** Caso contrário, o acessório rotativo pode engatar na superfície e fazer-lhe perder o controlo da ferramenta elétrica.
 - ▶ **Nunca coloque a ferramenta elétrica em funcionamento enquanto a transporta.** O contacto accidental do acessório rotativo com a sua roupa pode puxar o acessório na direção do seu corpo.
 - ▶ **Limpe regularmente as aberturas de ventilação da ferramenta elétrica.** Caso contrário, o ventilador do motor irá aspirar o pó para o interior da carcaça e a acumulação excessiva de pós metálicos poderá provocar riscos de natureza elétrica.
 - ▶ **Não utilize a ferramenta elétrica junto a materiais inflamáveis.** As faíscas produzidas podem inflamar esses materiais.
 - ▶ **Não utilize acessórios que necessitem de refrigerantes líquidos.** A utilização de água ou de outros refrigerantes líquidos poderá resultar em eletrocussão ou choque elétrico.
- Efeito de coice e indicações relacionadas**
- O efeito de coice é uma reação súbita a um disco rotativo, prato de apoio, escova ou outro acessório entalado ou bloqueado. O entalamento ou bloqueio provoca uma paragem rápida do acessório rotativo que, por sua vez, faz com que a ferramenta elétrica descontrolada seja impelida na direção oposta à rotação do acessório no ponto do bloqueio.
- Por exemplo, se um disco abrasivo ficar bloqueado ou for entalado pela peça de trabalho, a extremidade do disco que estiver em contacto com o ponto de bloqueio pode penetrar a superfície do material, fazendo com que o disco suba ou salte. O disco poderá então saltar na direção do utilizador ou para longe deste, dependendo da direção do movimento do disco no ponto de entalamento. Os discos abrasivos também podem partir-se nestas condições.
- O efeito de coice é o resultado de uma utilização abusiva e/ou condições ou procedimentos incorretos de utilização da ferramenta elétrica e pode ser evitado tomando as precauções indicadas abaixo.
- ▶ **Segure a ferramenta elétrica com firmeza e posicione o seu corpo e braço de forma a poder resistir ao efeito de coice. Utilize sempre o punho auxiliar, se fornecido, para obter o máximo controlo sobre o efeito de coice ou reação do binário durante o**

arranque. O utilizador poderá controlar as reações do binário ou o efeito de coice caso tome as devidas precauções.

- ▶ **Nunca coloque a sua mão junto do acessório rotativo.** O acessório pode ressaltar para cima da sua mão.
- ▶ **Não posicione o seu corpo na área para a qual a ferramenta elétrica poderá saltar caso ocorra o efeito de coice.** O efeito de coice irá impelir a ferramenta na direção oposta ao movimento do disco no ponto de bloqueio.
- ▶ **Tenha especial cuidado ao trabalhar em cantos, arestas aguçadas, etc. Evite que o acessório ressalte ou fique preso.** Os cantos, as arestas aguçadas ou o ressalto do acessório rotativo tendem a fazer com que este fique preso e provoque a perda de controlo ou o efeito de coice.
- ▶ **Não instale uma corrente de serra para esculpir madeira ou uma lâmina de serra dentada.** Tais lâminas provocam com frequência o efeito de coice e a perda de controlo.

Indicações de segurança específicas para operações de desbaste

- ▶ **Utilize apenas os tipos de discos recomendados para a sua ferramenta elétrica e a proteção específica concebida para o disco selecionado.** Os discos inadequados para utilização na ferramenta elétrica não podem ser devidamente protegidos e são perigosos.
- ▶ **A superfície de desbaste dos discos com centro rebaixado deve encontrar-se abaixo do plano do rebordo de proteção.** Um disco incorretamente instalado que ultrapasse o plano do rebordo de proteção não poderá ser devidamente protegido.
- ▶ **Os discos devem ser utilizados exclusivamente nas aplicações recomendadas. Por exemplo: não lixe com a parte lateral do disco de corte.** Os discos abrasivos de corte destinam-se a um desbaste periférico, a aplicação de forças laterais nestes discos poderá provocar a sua desintegração.
- ▶ **Utilize sempre flanges para discos intactas e de tamanho e forma adequados para o disco em questão.** As flanges adequadas proporcionam apoio ao disco e reduzem a possibilidade de quebras. As flanges para discos de corte poderão ser diferentes das flanges para discos de rebarbar.
- ▶ **Não utilize discos gastos de ferramentas elétricas maiores.** Os discos concebidos para ferramentas elétricas maiores não são adequados para as velocidades mais elevadas das ferramentas mais compactas e podem desintegrar-se.

Indicações de segurança específicas para operações de polimento

- ▶ **Não deixe rodar livremente qualquer parte solta do acessório de polimento ou dos respectivos fios de fixação. Oculte ou corte quaisquer fios de fixação soltos.** Os fios de fixação soltos e a rodar podem

emaranhar-se nos seus dedos ou ficar presos na peça de trabalho.

Indicações de segurança específicas para operações de escovagem com arame

- ▶ **Tenha presente que as cerdas de arame são projectadas, mesmo durante uma utilização normal. Não aplique uma carga excessiva na escova para não sobrecarregar as cerdas de arame.** As cerdas de arame podem facilmente penetrar o vestuário leve e/ou a pele.
- ▶ **Caso seja recomendado o uso de uma protecção para a escovagem com arame, não permita qualquer interferência da catrбуcha em disco ou escova com a protecção.** A catrбуcha em disco ou escova pode aumentar de diâmetro devido à carga de trabalho e forças centrífugas.

Instruções de segurança adicionais

Usar óculos de protecção.



- ▶ **Utilizar detetores apropriados, para encontrar cabos escondidos, ou consulte a companhia elétrica local.** O contacto com cabos elétricos pode provocar fogo e choques elétricos. Danos em tubos de gás podem levar à explosão. A penetração num cano de água causa danos materiais ou pode provocar um choque elétrico.
- ▶ **Destruar o interruptor de ligar-desligar e colocá-lo na posição desligada, se a alimentação de rede for interrompida, p. ex. devido a uma falha de corrente ou se a ficha de rede tiver sido puxada da tomada.** Assim é evitado um rearranque descontrolado do aparelho.
- ▶ **Não toque nos discos abrasivos antes que estes arrefeçam.** Os discos tornam-se extremamente quentes durante o trabalho.
- ▶ **Fixar a peça a ser trabalhada.** Uma peça a ser trabalhada fixa com dispositivos de aperto ou com torno de bancada está mais firme do que segurada com a mão.

Descrição do produto e do serviço



Leia todas as instruções de segurança e instruções. A inobservância das instruções de segurança e das instruções pode causar choque elétrico, incêndio e/ou ferimentos graves.

Respeite as figuras na parte da frente do manual de instruções.

Utilização adequada

A ferramenta elétrica destina-se a lixar e rebarbar metal com abrasivos de corindo, assim como para trabalhar com rolos de lixar.

Esta ferramenta elétrica destina-se a escovar e polir adicionalmente superfícies de metal.

Componentes ilustrados

A numeração dos componentes ilustrados refere-se à apresentação da ferramenta elétrica na página de esquemas.

- | | |
|---|--|
| <p>(1) Pinça de aperto</p> <p>(2) Porca de aperto</p> <p>(3) Veio de trabalho</p> <p>(4) Gola do veio (superfície do punho isolada)</p> <p>(5) Interruptor de ligar/desligar (GGS 30 LS / GGS 30 S)</p> | <p>(6) Roda da pré-seleção da velocidade de rotação</p> <p>(7) Punho (superfície do punho isolada)</p> <p>(8) Chave de bocas no veio de trabalho^{a)}</p> <p>(9) Chave de bocas na porca de aperto^{a)}</p> <p>(10) Amplitude do encabadouro L₀</p> <p>(11) Interruptor de ligar/desligar (GGS 30 LPS)</p> <p>(12) Bloqueio de ligação para interruptor de ligar/desligar (GGS 30 LPS)</p> <p>(13) Bloqueio do veio</p> |
|---|--|

a) **Este acessório não pertence ao volume de fornecimento.**

Dados técnicos

Retificadora direita		GGS 30 LS	GGS 30 LPS	GGS 30 S
Número de produto		3 601 BB5 0..	3 601 BB5 2..	3 601 BB5 1..
Potência nominal absorvida	W	750	750	750
Potência útil	W	400	400	400
Rotações nominais	r.p.m.	33000	33000	33000
Ajuste do número de rotações	r.p.m.	7000-33000	7000-33000	7000-33000
Diâmetro máx. da pinça de aperto	mm	8	8	8
Face da chave na				
- Porca de aperto	mm	17	17	17
- Veio de trabalho	mm	15	15	15
Diâmetro da gola do veio	mm	43	43	43
Diâmetro máx. do rebolo	mm	50	50	45
Amplitude máx. do encabadouro L ₀	mm	10	10	10
Comprimento máx. adaptador	mm	35	35	35
Sistema de eletrónica constante (Constant Electronic)		●	●	●
Pré-seleção da velocidade de rotação		●	●	●
Desativação de contragolpe		●	●	●
Proteção contra reaquecimento involuntário		●	●	●
Arranque suave		●	●	●
Peso ^{A)}	kg	1,7	1,8	1,5
Classe de proteção		□/II	□/II	□/II

A) Peso sem cabo de ligação à rede e sem ficha de rede

Os dados aplicam-se a uma tensão nominal [U] de 230 V. Com tensões divergentes e em versões específicas do país, estes dados podem variar.

Os valores podem variar em função do produto e estar sujeitos a condições de aplicação e do meio ambiente. Para mais informações consulte www.bosch-professional.com/wac.

Montagem

- **Antes de todos trabalhos na ferramenta elétrica deverá puxar a ficha de rede da tomada.**

Montar as ferramentas de lixar com uma chave de bocas e mediante bloqueio do veio (ver figura A)

- **Utilize apenas chaves de bocas adequadas e sem danos (ver "Dados técnicos").**

- Limpe o veio de trabalho (3) e todas as peças a serem montadas.
- Pressionar o bloqueio do veio (13) e rodar a porca de aperto (2) à mão até bloquear.
- Manter o bloqueio do veio pressionado e soltar a porca de aperto (2) com a chave de bocas (9) rodando para a esquerda.
- Insira o veio de fixação do abrasivo até ao batente na pinça de aperto (1).

- Pressione o bloqueio do veio (13) e aperte a ferramenta de trabalho com a chave de bocas (9) na face da chave rodando para a direita.

Os abrasivos devem girar perfeitamente. Abrasivos deformados não devem continuar a ser utilizados, mas devem ser trocados.

- ▶ **Nunca aperte a pinças de aperto com a porca de aperto, enquanto não estiver montado um abrasivo.** Caso contrário, pode danificar a pinça de aperto.
- ▶ **Utilize apenas pontas abrasivas com um diâmetro do encabadouro adequado.** Uma ponta abrasiva, cujo diâmetro do encabadouro não coincida com o encaixe da ferramenta elétrica (ver "Dados técnicos"), não pode ser segurada corretamente e danifica a pinça de aperto.
- ▶ **O acessório tem de estar tensionado a pelo menos 10 mm.** Com a amplitude do encabadouro L_0 pode ser determinado o número de rotações máximo admissível do acessório a partir das indicações do fabricante do mesmo. Este não pode ser inferior ao número de rotações máximo da ferramenta elétrica.

Montar as ferramentas de lixar com duas chaves de bocas (ver figura B)

- ▶ **Utilize apenas chaves de bocas adequadas e sem danos (ver "Dados técnicos").**
- Limpe o veio de trabalho (3) e todas as peças a serem montadas.
- Segure o veio de trabalho (3) na face da chave com uma chave de bocas (8). Solte a porca de aperto (2) com a chave de bocas (9) na face da chave rodando para a esquerda.
- Insira o veio de fixação do abrasivo até ao batente na pinças de aperto (1).
- Segure o veio de trabalho (3) com a chave de bocas (8) e aperte o acessório com a chave de bocas (9) na face da chave rodando para direita.

Os abrasivos devem girar perfeitamente. Abrasivos deformados não devem continuar a ser utilizados, mas devem ser trocados.

- ▶ **Nunca aperte a pinças de aperto com a porca de aperto, enquanto não estiver montado um abrasivo.** Caso contrário, pode danificar a pinça de aperto.
- ▶ **Utilize apenas pontas abrasivas com um diâmetro do encabadouro adequado.** Uma ponta abrasiva, cujo diâmetro do encabadouro não coincida com o encaixe da ferramenta elétrica (ver "Dados técnicos"), não pode ser segurada corretamente e danifica a pinça de aperto.
- ▶ **O acessório tem de estar tensionado a pelo menos 10 mm.** Com a amplitude do encabadouro L_0 pode ser determinado o número de rotações máximo admissível do acessório a partir das indicações do fabricante do mesmo. Este não pode ser inferior ao número de rotações máximo da ferramenta elétrica.

Aspiração de pó/de aparas

Pós de materiais como por exemplo, tintas que contém chumbo, alguns tipos de madeira, minerais e metais, podem ser nocivos à saúde. O contacto ou a inalação dos pós pode provocar reações alérgicas e/ou doenças nas vias respiratórias do utilizador ou das pessoas que se encontrem por perto.

Certos pós, como por exemplo pó de carvalho e faia são considerados como sendo cancerígenos, especialmente quando juntos com substâncias para o tratamento de madeiras (cromato, preservadores de madeira). Material que contém asbesto só deve ser processado por pessoal especializado.

- Assegurar uma boa ventilação do local de trabalho.
- É recomendável usar uma máscara de proteção respiratória com filtro da classe P2.

Observe as diretivas para os materiais a serem processados, vigentes no seu país.

- ▶ **Evite a acumulação de pó no local de trabalho.** Pós podem entrar levemente em ignição.

Funcionamento

Colocação em funcionamento

- ▶ **Observar a tensão de rede!** A tensão da fonte de corrente elétrica deve coincidir com os dados que constam na placa de características da ferramenta elétrica.
- ▶ **Verifique antes de cada utilização se a pinça de aperto (1) e a porca de aperto (2) não apresentam danos visíveis.**

Ligar/desligar

GGS 30 LS/GGS 30 S

Para a **colocação em funcionamento** da ferramenta elétrica, desloque o interruptor de ligar/desligar (5) para a frente.

Para **fixar** o interruptor de ligar/desligar (5) pressione o interruptor de ligar/desligar (5) à frente para baixo até este engatar.

Para **desligar** a ferramenta elétrica liberte o interruptor de ligar/desligar (5) ou se este estiver bloqueado, pressione o interruptor de ligar/desligar (5) brevemente atrás para baixo e depois liberte-o.

Ligar/desligar

GGS 30 LPS

Para a **colocação em funcionamento** da ferramenta elétrica, empurre **primeiro** o bloqueio de ligação (12) para trás e **de seguida** o interruptor de ligar/desligar (11) e mantenha-o premido.

Para **desligar** a ferramenta elétrica, solte o interruptor de ligar/desligar (11).

Constant-electronic

A Constant-Electronic mantém o número de rotações durante a marcha em vazio e sob carga quase que constante e assegura um desempenho de trabalho uniforme.

Pré-seleção do número de rotação

Com a roda de pré-seleção da velocidade de rotação (6) pode pré-selecionar o n.º de rotações necessário mesmo durante a operação.

A velocidade de rotação necessária depende do material a processar e do diâmetro da ferramenta de trabalho. Respeite a velocidade de rotação máxima permitida da ferramenta de trabalho.

GGG 30 LS/GGS 30 LPS

Com rotações máximas o diâmetro máximo permitido do acessório é de 40 mm.

GGG 30 S

Com rotações máximas o diâmetro máximo permitido do acessório é de 45 mm.

Se utilizar acessórios com um diâmetro de 50 mm, certifique-se de que as rotações não são superiores a 30000 r.p.m.

Posição da roda de ajuste	N.º de rotações em vazio (r.p.m.)
1	7000
2	9500
3	15000
4	19000
5	25000
6	33000

Desativação de contragolpe



Em caso de contragolpe repentino da ferramenta elétrica, p. ex. bloqueio ao fresar, é interrompida eletronicamente a alimentação de corrente para o motor.

Para **recolocar em funcionamento** coloque o interruptor de ligar/desligar (5)/(11) na posição desligada e ligue novamente a ferramenta elétrica.

Proteção contra reaquecimento involuntário

A proteção contra reaquecimento involuntário evita que a ferramenta elétrica possa arrançar descontroladamente após uma interrupção da alimentação de corrente elétrica. Para **recolocar em funcionamento** coloque o interruptor de ligar/desligar (5)/(11) na posição desligada e ligue novamente a ferramenta elétrica.

Nota: No caso de desligar e voltar a ligar demasiado rápido, a proteção contra reaquecimento involuntário pode ativar-se e a ferramenta elétrica não arranca mesmo acionando o interruptor de ligar/desligar (5)/(11). Coloque o interruptor de ligar/desligar (5)/(11) na posição desligada e ligue novamente a ferramenta elétrica.

Arranque suave

O arranque suave eletrónico limita o binário ao ligar e aumenta a durabilidade do motor.

Instruções de trabalho

- ▶ **Antes de todos trabalhos na ferramenta elétrica deverá puxar a ficha de rede da tomada.**
- ▶ **Guarde as ferramentas de lixar protegidas contra embates.**
- ▶ **Não sobrecarregar demasiado a ferramenta elétrica, provocando uma paragem.**
- ▶ **Após um trabalho com carga elevada, deverá permitir que a ferramenta elétrica funcione alguns minutos em vazio, para que o acessório possa arrefecer.**
- ▶ **Os abrasivos tornam-se extremamente quentes durante o trabalho. Não toque nos mesmos antes de terem arrefecido.**

A fim de obter um excelente resultado de trabalho, desloque os abrasivos para trás e para a frente, exercendo uma ligeira pressão. Uma pressão muito elevada reduz a capacidade da ferramenta elétrica e causa um rápido desgaste do abrasivo.

Manutenção e assistência técnica

Manutenção e limpeza

- ▶ **Antes de todos trabalhos na ferramenta elétrica deverá puxar a ficha de rede da tomada.**
- ▶ **Manter a ferramenta elétrica e as aberturas de ventilação sempre limpas, para trabalhar bem e de forma segura.**
- ▶ **Em condições de utilização extremas utilize sempre, se possível, um sistema de aspiração. Sobre frequentemente as aberturas de ventilação e interconecte um disjuntor de corrente de avaria (PRCD).** Durante o processamento de metais é possível que se deposite pó condutivo no interior da ferramenta elétrica. Isto pode prejudicar o isolamento de proteção da ferramenta elétrica.

Os acessórios devem ser armazenados e tratados com cuidado.

Se for necessário instalar um cabo de ligação, a instalação deve ser feita pela **Bosch** ou por um centro de serviço autorizado para ferramentas elétricas **Bosch**, para evitar perigos de segurança.

Serviço pós-venda e aconselhamento

O serviço pós-venda responde às suas perguntas a respeito de serviços de reparação e de manutenção do seu produto, assim como das peças sobressalentes. Desenhos explodidos e informações sobre peças sobressalentes encontram-se em: **www.bosch-pt.com**

A nossa equipa de consultores Bosch esclarece com prazer todas as suas dúvidas a respeito dos nossos produtos e acessórios.

Indique para todas as questões e encomendas de peças sobressalentes a referência de 10 dígitos de acordo com a placa de características do produto.

Brasil

Robert Bosch Ltda. – Divisão de Ferramentas Elétricas
Rodovia Anhanguera, Km 98 - Parque Via Norte
13065-900, CP 1195
Campinas, São Paulo
Tel.: 0800 7045 446
www.bosch.com.br/contato

Outros endereços de serviço encontram-se em:

www.bosch-pt.com/serviceaddresses

Eliminação

Ferramentas elétricas, acessórios e embalagens devem ser enviados a uma reciclagem ecológica de matérias-primas.



Não deitar ferramentas elétricas no lixo doméstico!

中文**安全规章****电动工具通用安全警告****警告！**

阅读所有警告和所有说明！不遵照以下警告和说明会导致电

击、着火和 / 或严重伤害。

保存所有警告和说明书以备查阅。

在所有下列的警告中术语“电动工具”指市电驱动（有线）电动工具或电池驱动（无线）电动工具。

工作场地的安全

- ▶ 保持工作场地清洁和明亮。混乱和黑暗的场地会引发事故。
- ▶ 不要在易爆环境，如有易燃液体、气体或粉尘的环境下操作电动工具。电动工具产生的火花会点燃粉尘或气体。
- ▶ 让儿童和旁观者离开后操作电动工具。注意力不集中会使操作者失去对工具的控制。

电气安全

- ▶ 电动工具插头必须与插座相配。绝不能以任何方式改装插头。需接地的电动工具不能使用任何转换插头。未经改装的插头和相配的插座将减少电击危险。
- ▶ 避免人体接触接地表面，如管道、散热片和冰箱。如果你身体接地会增加电击危险。
- ▶ 不得将电动工具暴露在雨中或潮湿环境中。水进入电动工具将增加电击危险。
- ▶ 不得滥用电线。绝不能用电线搬运、拉动电动工具或拔出其插头。使电线远离热源、油、锐边或运动部件。受损或缠绕的软线会增加电击危险。

- ▶ 当在户外使用电动工具时，使用适合户外使用的外接软线。适合户外使用的软线将减少电击危险。
- ▶ 如果在潮湿环境下操作电动工具是不可能的，应使用剩余电流动作保护器（RCD）。使用RCD可减小电击危险。

人身安全

- ▶ 保持警觉，当操作电动工具时关注所从事的操作并保持清醒。当你感到疲倦，或在有药物、酒精或治疗反应时，不要操作电动工具。在操作电动工具时瞬间的疏忽会导致严重人身伤害。
- ▶ 使用个人防护装置。始终佩戴护目镜。安全装置，诸如适当条件下使用防尘面具、防滑安全鞋、安全帽、听力防护等装置能减少人身伤害。
- ▶ 防止意外起动。确保开关在连接电源和/或电池盒、拿起或搬运工具时处于关断位置。手指放在已接通电源的开关上或开关处于接通时插入插头可能会导致危险。
- ▶ 在电动工具接通之前，拿掉所有调节钥匙或扳手。遗留在电动工具旋转零件上的扳手或钥匙会导致人身伤害。
- ▶ 手不要伸展得太长。时刻注意立足点和身体平衡。这样在意外情况下能很好地控制电动工具。
- ▶ 着装适当。不要穿宽松衣服或佩戴饰品。让衣服、手套和头发远离运动部件。宽松衣服、配饰或长发可能会卷入运动部件中。
- ▶ 如果提供了与排屑、集尘设备连接用的装置，要确保他们连接完好且使用得当。使用这些装置可减少尘屑引起的危险。

电动工具使用和注意事项

- ▶ 不要滥用电动工具，根据用途使用适当的电动工具。选用适当设计的电动工具会使你工作更有效、更安全。
- ▶ 如果开关不能接通或关断工具电源，则不能使用该电动工具。不能用开关来控制的电动工具是危险的且必须进行修理。
- ▶ 在进行任何调节、更换附件或贮存电动工具之前，必须从电源上拔掉插头和/或使电池盒与工具脱开。这种防护性措施将减少工具意外起动的危险。
- ▶ 将闲置不用的电动工具贮存在儿童所及范围之外，并且不要让不熟悉电动工具或对这些说明不了解的人操作电动工具。电动工具在未经培训的用户手中是危险的。
- ▶ 保养电动工具。检查运动件是否调整到位或卡住，检查零件破损情况和影响电动工具运行的其他状况。如有损坏，电动工具应在使用前修理好。许多事故由维护不良的电动工具引发。
- ▶ 保持切削刀具锋利和清洁。保养良好的有锋利切削刃的刀具不易卡住而且容易控制。
- ▶ 按照使用说明书，考虑作业条件和进行的作业来使用电动工具、附件和工具的头等。将电动工具用于那些与其用途不符的操作可能会导致危险。

维修

- ▶ 将你的电动工具送交专业维修人员，使用同样的备件进行修理。这样将确保所维修的电动工具的安全性。

针对直磨机的安全规章

砂磨、钢丝砂光或抛光操作的通用安全警告

- ▶ 该电动工具是用于实现砂轮机、钢丝刷或抛光机功能的。阅读随该电动工具提供的所有安全警告、说明、图解和规定。不了解以下所列所有说明将导致电击、着火和/或严重伤害。
- ▶ 不推荐用该电动工具进行诸如砂光或切断等操作。电动工具不按指定的功能去操作，可能会发生危险和引起人身伤害。
- ▶ 不使用非工具制造商推荐和专门设计的附件。否则该附件可能被装到你的电动工具上，而它不能保证安全操作。
- ▶ 附件的额定速度必须至少等于电动工具上标出的最大速度。附件以比其额定速度大的速度运转会发生爆裂和飞溅。
- ▶ 附件的外径和厚度必须在电动工具额定能力范围之内。不正确的附件尺寸不能得到充分防护或控制。
- ▶ 砂轮、法兰盘、靠背垫或任何其他附件的轴孔尺寸必须适合于安装到电动工具的主轴上。带轴孔的、与电动工具安装件不配的附件将会失稳、过度振动并会引起失控。
- ▶ 不要使用损坏的附件。在每次使用前要检查附件，例如砂轮是否有碎片和裂缝，靠背垫是否有裂缝、撕裂或过度磨损，钢丝刷是否松动或金属丝是否断裂。如果电动工具或附件脱落了，检查是否有损坏或安装没有损坏的附件。检查和安装附件后，让自己和旁观者的位置远离旋转附件的平面，并以电动工具最大空载速度运行1分钟。损坏的附件通常在该试验时会碎裂。
- ▶ 戴上防护用品。根据适用情况，使用面罩，安全护目镜或安全眼镜。适用时，戴上防尘面具，听力保护器，手套和能挡小磨料或工件碎片的工作围裙。眼防护罩必须挡住各种操作产生的飞屑。防尘面具或口罩必须能够过滤操作产生的颗粒。长期暴露在高强度噪音中会引起失聪。
- ▶ 让旁观者与工作区域保持一安全距离。任何进入工作区域的人必须戴上防护用品。工件或破损附件的碎片可能会飞出并引起紧靠着操作区域的旁观者的伤害。切割附件触及带电导线会使电动工具外露的金属零件带电，并使操作者触电。
- ▶ 当在切割附件有可能切割到暗线或自身电线的场所进行操作时，只能通过绝缘握持面来握住电动工具。切割附件碰到一根带电导线可能会使电动工具外露的金属零件带电并使操作者发生电击危险。
- ▶ 使软线远离旋转的附件。如果控制不当，软线可能被切断或缠绕，并使得你的手或手臂可能被卷入旋转附件中。
- ▶ 直到附件完全停止运动才放下电动工具。并且不得使用任何外力迫使金刚石切割片停转。旋转的

附件可能会抓住表面并拉动电动工具而让你失去对工具的控制。

- ▶ 当携带电动工具时不要开动它。意外地触及旋转附件可能会缠绕你的衣服而使附件伤害身体。
- ▶ 经常清理电动工具的通风口。电动机风扇会将灰尘吸进机壳，过多的金属粉末沉积会导致电气危险。
- ▶ 不要在易燃材料附近操作电动工具。火星可能会点燃这些材料。
- ▶ 不要使用需用冷却液的附件。用水或其他冷却液可能导致电腐蚀或电击。

反弹和相关警告

反弹是因卡住或缠绕住的旋转砂轮，靠背垫，钢丝刷或其他附件而产生的突然反作用力。卡住或缠绕会引起旋转附件的迅速堵转，随之使失控的电动工具在卡住点产生与附件旋转方向相反的运动。

例如，如果砂轮被工件缠绕或卡住了，伸入卡住点的砂轮边缘可能会进入材料表面而引起砂轮爬出或反弹。砂轮可能飞向或飞离操作者，这取决于砂轮在卡住点的运动方向。在此条件下砂轮也可能碎裂。

反弹是电动工具误用和/或不正确操作工序或条件的结果。可以通过采取以下给出的适当预防措施得以避免。

- ▶ 保持紧握电动工具，使你的身体和手臂处于正确状态以抵抗反弹力。如有辅助手柄，则要一直使用，以便最大限度控制住起动时的反弹力或反力矩。采取合适的预防措施，操作者就可以控制反力矩或反弹力。
- ▶ 绝不能将手靠近旋转附件。附件可能会反弹碰到手。
- ▶ 不要站在发生反弹时电动工具可能移动到的地方。反弹将在缠绕点驱使工具逆砂轮运动方向运动。
- ▶ 当在尖角、锐边等处作业时要特别小心。避免附件的弹跳和缠绕。尖角、锐边和弹跳具有缠绕旋转附件的趋势并引起反弹的失控。
- ▶ 不要附装上锯链、木雕刀片或带齿锯片。这些锯片会产生频繁的反弹和失控。

对打磨操作的专用安全警告

- ▶ 只使用所推荐的砂轮型号和为选用砂轮专门设计的护罩。不是为电动工具设计的砂轮不能充分得到防护，是不安全的。
- ▶ 安装弯曲的砂轮时，砂轮的研磨面不可以突出于防护罩缘之外。防护罩无法遮蔽因为安装不当而突出于防护罩缘之外的砂轮。
- ▶ 砂轮只用作推荐的用途。例如：不要用切割砂轮的侧面进行磨削。施加到砂轮侧面的力可能会使其碎裂。
- ▶ 始终为所选砂轮选用未损坏的、有恰当规格和形状的砂轮法兰盘。合适的砂轮法兰盘支承砂轮可以减小砂轮破裂的可能性。切割砂轮的法兰盘可以不同于砂轮法兰盘。
- ▶ 不要使用从大规格电动工具上用剩的磨损砂轮。用于大规格电动工具上的砂轮不适用于较小规格工具的高速工况并可能会爆裂。

抛光操作的专用安全警告

- ▶ 不允许抛光帽或附带绳索有任何松动部分而随意旋转，收拢或调整松动的附带绳索。松动而旋转的附带绳索会将手指缠住或在工件上卡住。

钢丝刷操作的专用安全警告

- ▶ 要意识到即使正常操作时钢丝线也会从刷子甩出。不要对钢丝刷施加过大的负荷而使得钢丝线承受过应力。钢丝线可能会轻易刺入薄的衣服和/或皮肤内。
- ▶ 如果建议钢丝刷使用护罩，则不允许该护罩对钢丝轮或钢丝刷有任何干扰。钢丝轮或钢丝刷在工作负荷和离心力作用下直径会变大。

其他安全规章



请佩戴护目镜。

- ▶ 使用合适的侦测装置侦察隐藏的电线，或者向当地的相关单位寻求支援。接触电线可能引起火灾并让操作者触电。损坏了瓦斯管会引起爆炸。凿穿水管不仅会造成严重的财物损失，也可能导致触电。
- ▶ 如果电源突然中断，例如停电或不小心拔出插头，马上解除起停开关的锁定并把它设定在关闭的位置。这样可以避免机器突然起动。
- ▶ 在砂轮冷却之前，切勿紧握砂轮。工作时砂轮会变得非常炙热。
- ▶ 固定好工件。使用固定装置或老虎钳固定工件，会比用手紧握工件更牢固。

技术参数

直磨机		GGG 30 LS	GGG 30 LPS	GGG 30 S
物品代码		3 601 BB5 0..	3 601 BB5 2..	3 601 BB5 1..
额定输入功率	瓦	750	750	750
输出功率	瓦	400	400	400
额定转速	转/分钟	33000	33000	33000
转速设定范围	转/分钟	7000-33000	7000-33000	7000-33000
最大夹钳直径	毫米	8	8	8
扳手安装位置				
- 夹紧螺母	毫米	17	17	17
- 研磨主轴	毫米	15	15	15
主轴颈直径	毫米	43	43	43
最大砂轮直径	毫米	50	50	45
最大柄部净长L ₀	毫米	10	10	10
最大接头柄长度	毫米	35	35	35
恒定电子装置		●	●	●
转速预选		●	●	●

产品和性能说明



请阅读所有安全规章和指示。不遵照以下警告和说明可能导致电击、着火和/或严重伤害。

请注意本使用说明书开头部分的图示。

按照规定使用

安装了金刚砂砂轮后，可以使用本电动工具研磨金属和磨削金属上的毛边。也可以在本机器上安装磨削砂带来进行研磨。

本电动工具也适合在金属上进行刷磨和抛光。

插图上的机件

机件的编号和电动工具详解图上的编号一致。

- (1) 夹钳
- (2) 夹紧螺母
- (3) 研磨主轴
- (4) 主轴颈（绝缘握柄）
- (5) 起停开关（GGG 30 LS / GGG 30 S）
- (6) 转速预选调节轮
- (7) 手柄（绝缘握柄）
- (8) 放在研磨主轴上的开口扳手^{a)}
- (9) 放在夹紧螺母上的开口扳手^{a)}
- (10) 柄部净长L₀
- (11) 起停开关（GGG 30 LPS）
- (12) 起停开关的开机锁（GGG 30 LPS）
- (13) 主轴锁

a) 该附件并不包含在基本的供货范围内。

直磨机		GGG 30 LS	GGG 30 LPS	GGG 30 S
回弹断开		●	●	●
重启保护		●	●	●
缓速启动		●	●	●
重量 ^{A)}	公斤	1.7	1.8	1.5
保护等级		□/	□/	□/

A) 不含电源线和电源插头的重量

所有参数适用于230伏的额定电压[U]，对于其他不同的电压和国际规格，数据有可能不同。

数值可能因不同产品而异，并且受到应用和环境条件影响。更多信息请参见www.bosch-professional.com/wac。

安装

- ▶ 在电动工具上进行所有操作之前都必须从插座上拔出电源插头。

用一个开口扳手并借助主轴锁定件安装磨具 (参见插图A)

- ▶ 请只使用匹配的未损坏的开口扳手 (参见“技术参数”)。

- 清洁研磨主轴(3)和所有待安装的零件。
- 按压主轴锁定件(13)并用手转动夹紧螺母(2)，直至其卡住。
- 按住主轴锁定件，将夹紧螺母(2)用开口扳手(9)逆时针旋出。
- 将砂轮的夹紧面插入夹钳(1)直到极限位置。
- 按压主轴锁定件(13)，用开口扳手(9)在扳手面上顺时针转动来牢牢地夹紧工具刀头。

研磨体必须能够顺畅而均匀地旋转。不要继续使用已经变形的研磨体，而是要马上更换。

- ▶ 只要还未安装研磨体，就绝不可拧紧夹钳和夹紧螺母。否则会损坏夹钳。

- ▶ 请只使用柄径合适的磨头。如果磨头的柄径与电动工具的工具夹头不一致 (参见“技术数据”)，则无法正确固定住磨头，而且会损坏夹钳。

- ▶ 切削附件必须至少夹紧10毫米。利用柄部净长 L_0 ，可以从切削附件制造商的数据中计算出切削附件的最大允许转速。该转速不得低于电动工具的最大转速。

用两个开口扳手安装磨具 (参见插图B)

- ▶ 请只使用匹配的未损坏的开口扳手 (参见“技术参数”)。

- 清洁研磨主轴(3)和所有待安装的零件。
- 用开口扳手(8)在扳手面上固定住研磨主轴(3)。
- 用开口扳手(9)在扳手面上逆时针转动，松开夹紧螺母(2)。
- 将研磨体的夹紧面插入夹钳(1)直到极限位置。
- 用开口扳手(8)固定住研磨主轴(3)，然后用开口扳手(9)在扳手面上通过顺时针转动而夹紧安装件。

研磨体必须能够顺畅而均匀地旋转。不要继续使用已经变形的研磨体，而是要马上更换。

- ▶ 只要还未安装研磨体，就绝不可拧紧夹钳和夹紧螺母。否则会损坏夹钳。

- ▶ 请只使用柄径合适的磨头。如果磨头的柄径与电动工具的工具夹头不一致 (参见“技术数据”)，则无法正确固定住磨头，而且会损坏夹钳。
- ▶ 切削附件必须至少夹紧10毫米。利用柄部净长 L_0 ，可以从切削附件制造商的数据中计算出切削附件的最大允许转速。该转速不得低于电动工具的最大转速。

吸锯尘/吸锯屑

含铅的颜料以及某些木材、矿物和金属的加工废尘有害健康。机器操作者或者工地附近的人如果接触、吸入这些废尘，可能会有过敏反应或者感染呼吸道疾病。

某些尘埃 (例如加工橡木或山毛榉的废尘) 可能致癌，特别是和处理木材的添加剂 (例如木材的防腐剂等) 结合之后。只有经过专业训练的人才能够加工含石棉的物料。

- 工作场所要保持空气流通。
- 最好佩戴P2滤网等级的口罩。

请留心并遵守贵国和加工物料有关的法规。

- ▶ 避免让工作场所堆积过多的尘垢。尘埃容易被点燃。

运行

投入使用

- ▶ 注意电源电压！电源的电压必须和电动工具铭牌上标示的电压一致。
- ▶ 每次使用前先检查夹钳(1)和夹紧螺母(2)有无可见损坏。

接通/关闭

GGG 30 LS/GGG 30 S

如要运行电动工具，请将电源开关(5)向前推。

如要锁定电源开关(5)，请向前按下电源开关(5)直至卡止。

如要关闭电动工具，请松开电源开关(5)，或当电源开关卡止时短促向后按下电源开关(5)，然后松开。

接通/关闭

GGG 30 LPS

使用电动工具时，先向后推动开机锁(12)，接着按压起停开关(11)并按住。

如要关闭电动工具，请松开起停开关(11)。

恒定电子装置

不论机器处在负载或空载状态，恒定电子装置都能够稳定转速，确保一致的工作效率。

转速预选

利用转速预选调节轮(6)也可以在运行过程中预选所需的转速。

需要的转速取决于工件的材料和安装件的直径。务必遵循安装件的最大许可转速。

GG5 30 LS/GG5 30 LPS

针对最大转速所允许的最大附件直径为40毫米。

GG5 30 S

针对最大转速所允许的最大附件直径为45毫米。

如果使用直径为50毫米的附件，请确保转速不超过30000转/分钟。

调节轮的位置	空载转速 (转/分钟)
1	7000
2	9500
3	15000
4	19000
5	25000
6	33000

回弹断开



当电动工具突然回弹时（比如铣削时卡住），将以电子方式中断电机供电。

如需再次使用，请将起停开关(5)/(11)置于已关闭的位置，然后重新接通电动工具。

重启保护

重启保护功能可以避免电动工具在供电中断之后突然失控地重新启动。

如需再次使用，请将起停开关(5)/(11)置于已关闭的位置，然后重新接通电动工具。

提示：关闭后快速再接通时可能会触发重启保护功能，电动工具即使是在按下起停开关(5)/(11)的情况下也不会启动。请将起停开关(5)/(11)置于已关闭的位置，然后重新接通电动工具。

均调起动

电子控制的均调起动功能可以限制开机时的扭矩，并延长马达的使用寿命。

工作提示

- ▶ 在电动工具上进行所有操作之前都必须从插座上拔出电源插头。
- ▶ 妥善保管磨具，防止撞击。
- ▶ 勿让电动工具因为过载而停止转动。
- ▶ 强烈过载之后必须让电动工具在无载的状况下运转数分钟，这样能够帮助电动工具冷却。
- ▶ 工作时砂轮会变得非常热。在其冷却之前，请勿抓握。

轻轻施压并且均匀地左右移动研磨体，以便获得最佳的工作效果。用力按压会降低电动工具的工作能力并导致研磨体迅速磨损。

维修和服务

维护和清洁

- ▶ 在电动工具上进行所有操作之前都必须从插座上拔出电源插头。
- ▶ 电动工具和通气孔必须随时保持清洁，以确保工作效率和工作安全。
- ▶ 在某些极端使用环境下，如果可能的话一定要使用吸尘器。经常吹除通气孔中的污垢，并且要使用故障电流保护开关（PRCD）。加工金属时可能在电动工具的内部堆积会导电的粉尘。这样可能会影响电动工具的安全绝缘性能。

小心地保存和使用附件。

如果必须更换连接线，务必把这项工作交给Bosch或者经授权的Bosch电动工具顾客服务执行，以避免危害机器的安全性能。

客户服务和应用咨询

本公司顾客服务处负责回答有关本公司产品的修理、维护和备件的问题。备件的展开图纸和信息也可查看：www.bosch-pt.com

博世应用咨询团队乐于就我们的产品及其附件问题提供帮助。

询问和订购备件时，务必提供机器铭牌上标示的10位数物品代码。

中国大陆

博世电动工具（中国）有限公司

中国 浙江省 杭州市

滨江区 滨康路567号

102/1F 服务中心

邮政编码：310052

电话：(0571)8887 5566 / 5588

传真：(0571)8887 6688 x 5566# / 5588#

电邮：bsc.hz@cn.bosch.com

www.bosch-pt.com.cn

制造商地址：

Robert Bosch Power Tools GmbH

罗伯特·博世电动工具有限公司

70538 Stuttgart / GERMANY

70538 斯图加特 / 德国

其他服务地址请见：

www.bosch-pt.com/serviceaddresses

处理废弃物

必须以符合环保要求的方式回收再利用电动工具、附件和包装材料。



不可以把电动工具丢入家庭垃圾中！

产品中有害物质的名称及含量

部件名称	有害物质					
	铅 (Pb)	汞 (Hg)	镉 (Cd)	六价铬 (Cr ⁺⁶)	多溴联苯 (PBB)	多溴二苯醚 (PBDE)
外壳的金属部分	○	○	○	○	○	○
外壳的非金属部分	○	○	○	○	○	○
机械传动机构	X	○	○	○	○	○
电机组件	X	○	○	○	○	○
控制组件	X	○	○	○	○	○
附件	○	○	○	○	○	○
配件	○	○	○	○	○	○
连接件	X	○	○	○	○	○
电源线①	○	○	○	○	○	○
电池系统②	X	○	○	○	○	○

本表格依据SJ/T11364的规定编制。

○：表示该有害物质在该部件所有均质材料中的含量均在GB/T 26572规定的限量要求以下。

X：表示该有害物质至少在该部件的某一均质材料中的含量超出GB/T 26572规定的限量要求。且目前业界没有成熟的替代方案，符合欧盟RoHS指令环保要求。

① 适用于采用电源线连接供电的产品。

② 适用于采用充电电池供电的产品。

产品环保使用期限内的使用条件参见产品说明书。

繁體中文

安全注意事項

電動工具通用安全警告

警告 閱讀所有警告和所有說明。不遵照以下警告和說明會導致電擊、著火和 / 或嚴重傷害。

保存所有警告和說明書以備查閱。

在所有警告中，「電動工具」此一名詞泛指：以市電驅動的（有線）電動工具或是以電池驅動的（無線）電動工具。

工作場地的安全

- ▶ 保持工作場地清潔和明亮。雜亂和黑暗的場地會引發事故。
- ▶ 不要在易爆環境，如有易燃液體、氣體或粉塵的環境下操作電動工具。電動工具產生的火花會點燃粉塵或氣體。
- ▶ 讓兒童和旁觀者離開後操作電動工具。注意力不集中會使您失去對工具的控制。

電氣安全

- ▶ 電動工具插頭必須與插座相配。絕不能以任何方式改裝插頭。需接地的電動工具不能使用任何轉

換插頭。未經改裝的插頭和相配的插座將減少電擊危險。

- ▶ 避免人體接觸接地表面，如管道、散熱片和冰箱。如果您身體接地會增加電擊危險。
- ▶ 不得將電動工具暴露在雨中或潮濕環境中。水進入電動工具將增加電擊危險。
- ▶ 不得濫用電線。絕不能用電線搬運、拉動電動工具或拔出其插頭。將電線遠離熱源、油、銳利邊緣或移動零件。受損或纏繞的軟線會增加電擊危險。
- ▶ 當在戶外使用電動工具時，使用適合戶外使用的延長線。適合戶外使用的軟線，將減少電擊危險。
- ▶ 如果在潮濕環境下操作電動工具是不可避免的，應使用剩餘電流動作保護器（RCD）。使用RCD可降低電擊危險。

人身安全

- ▶ 保持警覺，當操作電動工具時關注所從事的操作並保持清醒。當您感到疲倦，或在有藥物、酒精或治療反應時，不要操作電動工具。在操作電動工具時瞬間的疏忽會導致嚴重人身傷害。
- ▶ 使用個人防護裝置。務必佩戴護目鏡。安全裝置，諸如適當條件下使用防塵面具、防滑安全鞋、安全帽、聽力防護等裝置能減少人身傷害。

- ▶ 防止意外起動。確保開關在連接電源和 / 或電池組、拿起或搬運工具時處於關閉位置。手指放在已接通電源的開關上或開關處於接通時插入插頭可能會導致危險。
- ▶ 在電動工具接通之前，拿掉所有調節鑰匙或扳手。遺留在電動工具旋轉零件上的扳手或鑰匙會導致人身傷害。
- ▶ 手不要伸展得太長。時刻注意立足點和身體平衡。這樣在意外情況下能很好地控制電動工具。
- ▶ 著裝適當。不要穿著寬鬆衣服或佩戴飾品。衣服、手套和頭髮請遠離移動零件。寬鬆衣服、佩飾或長髮可能會捲入移動零件中。
- ▶ 如果有排屑、集塵設備連接用的裝置，請確保其連接完好且使用得當。使用這些裝置可減少塵屑引起的危險。

電動工具使用和注意事項

- ▶ 請勿濫用電動工具，根據用途使用適當的電動工具。選用適當設計的電動工具會使您工作更有效、更安全。
- ▶ 如果開關不能開啟或關閉工具電源，則不能使用該電動工具。不能用開關來控制的電動工具是危險的且必須進行修理。
- ▶ 在進行任何調整、更換附件或貯存電動工具之前，必須從電源上拔掉插頭和 / 或將電池組拆下。這種防護性措施將減少工具意外起動的危險。
- ▶ 將閒置不用的電動工具貯存在兒童所及範圍之外，不得讓不熟悉電動工具或對這些說明不瞭解的人操作電動工具。由未經訓練的人員使用電動工具相當危險。
- ▶ 保養電動工具。檢查移動零件是否調整到位或卡住，檢查零件破損情況和影響電動工具運轉的其他狀況。如有損壞，電動工具應在使用前修理完成。許多事故由維護不良的電動工具引發。
- ▶ 保持切削刀具鋒利和清潔。保養良好的有鋒利切削刃的刀具不易卡住而且容易控制。
- ▶ 按照使用說明書，考慮作業條件和進行的作業來使用電動工具、配件和工具的尖端等。將電動工具用於那些與其用途不符的操作可能會導致危險。

檢修

- ▶ 將您的電動工具送交專業維修人員，必須使用同樣的備件進行更換。這樣將確保所維修的電動工具的安全性。

直磨機安全注意事項

砂磨、鋼絲刷磨或拋光的共用安全警告

- ▶ 本電動工具可作為砂輪機、鋼絲刷或拋光機。請詳讀電動工具隨附的所有安全警告、指示、插圖以及規格等資料。若不遵照以下列出的指示，將可能導致電擊、著火和 / 或人員重傷。
- ▶ 不建議以此電動工具進行諸如砂磨或切割等項作業。使用本電動工具進行非設計用途的作業將產生危險並導致人員受傷。
- ▶ 請勿使用非針對本工具設計的配件或非工具製造商建議使用的配件。即使該配件可安裝至電動工具上，並不代表可以安全地操作電動工具。
- ▶ 配件的額定速率必須至少等於電動工具上所標示的最大速率。配件的運轉速度若高於其額定速率，可能會造成其破損並解體。
- ▶ 配件的外徑及厚度必須在電動工具的額定功率範圍內。規格不正確的配件無法讓防護機制發揮應有功能，或者可能失控。
- ▶ 配件的螺紋部位必須符合砂輪機的主軸螺紋。如果是利用凸緣安裝的配件，則配件的軸孔必須符合凸緣位置的直徑。配件若無法完全符合電動工具的安裝硬體，那麼運轉時將造成失衡、震動幅度過大，甚至造成失控。
- ▶ 不可使用已受損的配件。每次使用前請檢查配件，確認研磨砂輪片是否有缺口和裂縫、托盤是否有裂縫、撕裂或過度磨損的現象、鋼絲刷是否發生鬆脫或鋼絲缺損的狀況。電動工具或配件萬一掉落，請檢查是否受損或直接換裝完好的配件。檢查並安裝好配件之後，請您與旁觀者遠離配件的旋轉平面，接著讓電動工具以最高空載速度，持續運轉一分鐘。配件若有受損，通常會在此測試期間分解。
- ▶ 請穿戴個人防護裝備。根據實際操作狀況，使用面罩、安全護目鏡或防護眼鏡。在適當情況下，請戴上防護面罩、聽力防護裝置、手套以及可防止細小磨料或工件碎片的工作圍裙。護目裝置必須能有效阻擋各種操作中產生的噴飛碎屑。防護面罩或口罩必須能過濾操作中所產生的粉塵。暴露在高分貝噪音中過久，會造成聽力受損。
- ▶ 請旁觀者與工作區保持安全距離。進入工作區的所有人員都必須穿戴個人防護裝備。工件碎片或破損的配件可能會四處噴飛，造成作業區範圍以外的附近人員受傷。
- ▶ 進行作業時，負責進行切割的配件可能會碰觸到隱藏的配線或電動工具的電線，務必從絕緣處握持電動工具。負責進行切割的配件若是觸及「導電」電線，可能導致電動工具外露的金屬部件「導電」，進而使操作人員遭受電擊。
- ▶ 所有電線務必遠離旋轉中的配件。如果控制不當，有可能會切到或割斷電線，您的手掌或手臂亦可能被捲入正在旋轉的配件中。
- ▶ 在配件完全靜止之前，請勿放下電動工具。旋轉中的配件可能會扣住放置表面，電動工具因為被拉扯而失控。
- ▶ 當您將電動工具握在身體側邊時，請勿讓它運轉。萬一不小心碰觸到旋轉中的配件，衣物可能會被撕裂並將配件導向自己的身體。
- ▶ 請定期清理電動工具的通風口。馬達風扇會將粉塵捲入機殼內，累積過多的金屬粉塵可能危及電氣安全。
- ▶ 請勿在易燃材料旁操作本電動工具。火花可能引燃這些易燃物。
- ▶ 請勿使用需要冷卻液的配件。使用水或其他冷卻液可能導致觸電或電擊事件。

反彈與相關警告

反彈是旋轉中之砂輪、底盤、鐵刷或任何其他配件卡住或斷裂時瞬間產生的反作用力。旋轉中的配件發生卡住或斷裂時會突然停止轉動，這將從連接位置造成電動工具失控並以配件旋轉相反的方向運轉。

舉例來說，工件如果造成研磨砂輪片斷裂或卡住，已推入卡住位置的砂輪邊緣可能會鑽進材料表面裡，而使砂輪脫出或反彈。依據砂輪卡住時的移動方向，它有可能彈向或跳離操作人員。在上述情況下，研磨砂輪片亦可能斷裂。

反彈是不當使用電動工具及 / 或操作程序（條件）不正確所造成的結果。採取以下適當預防措施，則可避免此一情況。

- ▶ 緊緊握住電動工具，並穩住您的雙臂和身體，以抵抗反彈力道。務必使用輔助握把（若有配備），以求有效掌控啟動時的反彈或扭力。操作人員只要採取適當防護措施，即可控制扭矩的反作用力以及反彈力道。
- ▶ 雙手請勿靠近旋轉中的配件。配件可能會反彈並擊中您的手。
- ▶ 請勿將身體任何部件放置在發生反彈時電動工具位移的範圍之內。斷裂時，反彈力道會將本工具推往砂輪移動的相反方向。
- ▶ 處理尖角、銳利邊緣等物時，請穿戴特殊的防護裝備，防範配件彈跳和斷裂。尖角、銳利邊緣或彈跳力道往往會扯斷旋轉中的配件，並造成工具失控或反彈。
- ▶ 請勿加裝鏈鋸型木雕鋸片或鋸齒型鋸片。此類刀片會產生規律性反彈，進而導致本工具失控。

研磨作業的安全警告

- ▶ 僅可使用電動工具建議的砂輪類型，以及專為選用之砂輪而設計的特定防護套。使用非專為電動工具設計的砂輪，防護機制將無法發揮應有功能，亦無法確保安全。
- ▶ 中心凹陷的砂輪其研磨表面必須安裝在防護套緣的下方。如果安裝不當而導致砂輪突出於防護套緣時，將無法提供應有的保護。
- ▶ 砂輪僅可用於建議用途。例如：勿以切割砂輪的兩側進行研磨。切割砂輪係專為周邊研磨而設計。對砂輪側面施力，可能會使其解體。
- ▶ 所使用的砂輪凸緣必須完好無損並符合選用之砂輪的規格及形狀。合適的砂輪凸緣可支撐砂輪，進而降低砂輪破裂的風險。切割砂輪的凸緣可能與研磨砂輪的凸緣不同。
- ▶ 請勿使用大型電動工具磨耗後的砂輪。大型電動工具使用的砂輪並不適合用於高速運轉的小型工具，可能會造成砂輪碎裂。

打蠟作業的安全警告

- ▶ 請勿放任打蠟棉布已鬆脫的部份或線頭漂浮在半空中旋轉。請塞好或剪掉已鬆脫的線頭。旋轉中的鬆脫線頭可能會緊緊纏住您的手指或勾在工件上。

鋼絲刷磨作業的安全警告

- ▶ 即使是執行一般作業，也請小心刷子可能會甩出鋼絲。刷子超載時請勿對鐵刷施力過大。鋼絲可以輕易的刺穿輕薄衣物和 / 或皮膚。
- ▶ 建議您在鋼絲刷磨時應使用防護套，但需注意不得因防護套而干擾鋼絲輪或鐵刷的運作。鋼絲輪或鐵刷使用一段時間後，並在離心力的影響之下，其直徑可能會變寬。

其他安全注意事項



請佩戴護目鏡。

- ▶ 使用合適的偵測裝置偵察隱藏的電線，或者向當地的相關單位尋求支援。接觸電線可能引起火災並讓操作者觸電。若損壞瓦斯管會引起爆炸。鑿穿水管不僅會造成嚴重的財物損失，也可能導致觸電。
- ▶ 如果電源突然中斷，例如停電或不小心拔出插頭，應馬上解除起停開關的鎖定，並把它設定在關閉的位置。這樣可以避免機器突然再起動而造成失控。
- ▶ 砂輪片尚未冷卻之前，切勿用手碰觸。作業時，切割片會變得非常炙熱。
- ▶ 固定好工件。使用固定裝置或老虎鉗固定工件，會比用手持握工件更牢固。

產品和功率描述



請詳讀所有安全注意事項和指示。如未遵守安全注意事項與指示，可能導致火災、人員遭受電擊及 / 或重傷。
請留意操作說明書中最前面的圖示。

依規定使用機器

安裝了金剛砂砂輪後，可以使用本電動工具研磨金屬和磨處金屬上的毛邊。也可以在本機器上安裝磨削砂帶來進行研磨。
本電動工具另外適用於刷磨、拋光金屬。

插圖上的機件

機件的編號和電動工具詳解圖上的編號一致。

- (1) 彈式夾環
- (2) 迫緊螺母
- (3) 磨削主軸
- (4) 軸頸（絕緣握柄）
- (5) 電源開關（GGS 30 LS / GGS 30 S）
- (6) 轉速設定轉鈕
- (7) 把手（絕緣握柄）
- (8) 磨削主軸上的開口扳手^{a)}
- (9) 迫緊螺母上的開口扳手^{a)}
- (10) 淨軸尺寸 L₀
- (11) 電源開關（GGS 30 LPS）

(12) 電源開關的作動安全鎖 (GG5 30 LPS)**(13) 主軸鎖**

a) 所述之配件並不包含在基本的供貨範圍中。

技術性數據

直磨機		GG5 30 LS	GG5 30 LPS	GG5 30 S
產品機號		3 601 BB5 0..	3 601 BB5 2..	3 601 BB5 1..
額定輸入功率	W	750	750	750
輸出功率	W	400	400	400
額定轉速	min ⁻¹	33000	33000	33000
轉速設定範圍	min ⁻¹	7000–33000	7000–33000	7000–33000
最大彈式夾環直徑	mm	8	8	8
扳手安裝位置				
– 迫緊螺母	mm	17	17	17
– 磨削主軸	mm	15	15	15
主軸頸直徑	mm	43	43	43
最大研磨體直徑	mm	50	50	45
最大淨軸尺寸 L ₀	mm	10	10	10
最大接頭柄長度	mm	35	35	35
電子穩定控制系統		●	●	●
轉速設定		●	●	●
反彈斷電功能		●	●	●
防止再起動功能		●	●	●
緩速起動		●	●	●
重量 ^{A)}	kg	1.7	1.8	1.5
絕緣等級		□/	□/	□/

A) 不包括電源線和電源插頭的重量

本說明書提供的參數是以 230 V 為依據，於低電壓地區，此數據有可能不同。

數值可能因產品而異，並受使用條件以及環境條件影響。進一步資訊請見 www.bosch-professional.com/wac。**安裝**

- ▶ 維修電動工具或換裝零、配件之前，務必從插座上拔出插頭。

使用開口扳手並借助主軸鎖安裝磨具（請參考圖 A）

- ▶ 只能使用合適且未受損的開口扳手（詳見「技術性數據」）。
 - 將磨削主軸 (3) 以及準備裝上的所有部件都清潔乾淨。
 - 按壓主軸鎖 (13) 並用手旋緊螺母 (2)，直到卡住。
 - 請按住主軸鎖不放，並使用開口扳手 (9) 以逆時針方向旋出螺母 (2)。
 - 將研磨體的夾緊軸完全插入彈式夾環 (1) 內。
 - 按下主軸鎖 (13)，然後使用扳手槽上的開口扳手 (9) 沿順時針方向旋轉的方式將嵌件工具鎖緊。

砂輪必須能夠正確而且不偏移地旋轉。不可以繼續使用無法均勻旋轉的磨具，必須更換此磨具。

- ▶ 只要尚未裝上研磨體，就絕對不可透過迫緊螺母將夾頭鎖緊。否則會造成夾頭損壞。
- ▶ 僅可使用柄直徑合適的磨棒。若磨棒的柄直徑與電動工具的工具夾頭若不相符（詳見「技術性數據」），可能無法正確固定並造成彈式夾環損壞。
- ▶ 嵌件工具必須至少夾入 10 mm。利用最大淨軸尺寸 L₀，便可根據嵌件工具製造商所提供的資訊確定嵌件工具的最高容許轉速。因此其不得低於電動工具的最高轉速。

使用兩個開口扳手安裝磨具（請參考圖 B）

- ▶ 只能使用合適且未受損的開口扳手（詳見「技術性數據」）。
 - 將磨削主軸 (3) 以及準備裝上的所有部件都清潔乾淨。
 - 使用扳手槽上的開口扳手 (8) 握穩磨削主軸 (3)。使用扳手槽上的開口扳手 (9) 逆時針旋轉鬆開迫緊螺母 (2)。
 - 將研磨體的夾緊軸完全插入彈式夾環 (1) 內。

- 使用開口扳手 (8) 握穩磨削主軸 (3)，然後使用扳手槽上的開口扳手 (9) 沿順時針方向夾緊嵌件工具。

砂輪必須能夠正確而且不偏移地旋轉。不可以繼續使用無法均勻旋轉的磨具，必須更換此磨具。

- ▶ **只要尚未裝上研磨體，就絕對不可透過迫緊螺母將夾頭鎖緊。** 否則會造成夾頭損壞。
- ▶ **僅可使用柄直徑合適的磨棒。** 若磨棒的柄直徑與電動工具的工具夾頭若不相符（詳見「技術性數據」），可能無法正確固定並造成彈式夾環損壞。
- ▶ **嵌件工具必須至少夾入 10 mm。** 利用最大淨軸尺寸 L_0 ，便可根據嵌件工具製造商所提供的資訊確定嵌件工具的最高容許轉速。因此其不得低於電動工具的最高轉速。

吸鋸塵 / 吸鋸屑

含鉛的顏料及部分木材、礦物和金屬的加工廢塵有害健康。機器操作者或者工地附近的人如果接觸、吸入這些廢塵，可能會有過敏反應或者感染呼吸道疾病。

特定粉塵（例如加工橡木或山毛櫸的廢塵）可能致癌，特別是與處理木材的添加劑（例如木材的防腐劑等）混合之後。只有經過專業訓練的人才允許加工含石棉的物料。

- 工作場所要保持空氣流通。
 - 建議佩戴 P2 濾網等級的口罩。
- 請留意並遵守貴國與加工物料有關的法規。
- ▶ **避免讓工作場所堆積過多的塵垢。** 塵埃容易被點燃。

操作

操作機器

- ▶ **注意電源的電壓！** 電源的電壓必須和電動工具銘牌上標示的電壓一致。
- ▶ **每次使用前，請檢查彈式夾環 (1) 和迫緊螺母 (2) 沒有明顯損壞。**

啟動 / 關閉

GG3 30 LS/GG3 30 S

若要讓電動工具開始運轉，請將起停開關 (5) 往前推。

若要鎖定起停開關 (5) 的位置，請按壓起停開關 (5) 前端，直到其卡止。

若要關閉電動工具，請直接放開起停開關 (5) 即可，或者當它處於卡止狀態時，請短按一下起停開關 (5) 後端並隨即放開。

啟動 / 關閉

GG3 30 LPS

若要讓電動工具運轉，請先將作動安全鎖 (12) 向後推 接著再按住電源開關 (11) 不要放開。

放開起停開關 (11)，即可讓電動工具停止運轉。

電子穩定控制系統

不論機器處在負載或空載狀態，恆定電子裝置都能夠穩定轉速，確保一致的工作效率。

轉數設定

利用轉速設定轉鈕 (6) 即使是在工具運作期間，亦可按照需求設定轉速。

所謂必要的轉速取決待加工的工件材質和嵌件工具的直徑。請遵守嵌件工具的最高容許轉速。

GG3 30 LS/GG3 30 LPS

最大轉速時，配件的最大允許直徑為 40 mm。

GG3 30 S

最大轉速時，配件的最大允許直徑為 45 mm。

使用直徑 50 mm 的配件時，請確保轉速不超過 30000 min⁻¹。

轉鈕的位置	無負載轉速 (次 / 分)
1	7000
2	9500
3	15000
4	19000
5	25000
6	33000

反彈斷電功能



電動工具驟然反彈時（例如銑切時卡死），將中斷饋送至馬達的供電。

若要重新啟動，請將電源開關 (5)/(11) 移至電源關閉位置，然後再次啟動電動工具。

防止再起動功能

防止再起動功能可以避免電動工具在供電中斷之後，突然失控地再度起動。

若要重新啟動，請將電源開關 (5) / (11) 移至電源關閉位置，然後再次啟動電動工具。

提示： 若快速地關閉並再次打開機器，則可能會觸發防止再起動功能，即使按下電源開關 (5)/(11)，電動工具也不會運轉。請將電源開關 (5)/(11) 移至關閉位置，然後再重新啟動電動工具。

緩速起動

電子控制的緩速起動功能可以限制開機時的扭力，並延長馬達的使用壽命。

作業注意事項

- ▶ **維修電動工具或換裝零、配件之前，務必從插座上拔出插頭。**
- ▶ **請妥善收藏磨具，避免受到碰撞。**
- ▶ **勿讓電動工具因過載而停止轉動。**
- ▶ **電動工具負載過重之後，必須空轉數分鐘，讓嵌件工具冷卻。**
- ▶ **作業時，磨具會變得非常炎熱。磨具尚未冷卻之前，切勿用手碰觸。**

輕輕施壓並均勻地來回移動磨具，如此能夠獲得最佳的工作效果。壓力過大會降低電動工具的性能並使研磨體磨損得更快。

維修和服務

維修和清潔

- ▶ 維修電動工具或換裝零、配件之前，務必從插座上拔出插頭。
- ▶ 電動工具和通風口都必須保持清潔，這樣才能夠提高工作品質和安全性。
- ▶ 在某些極端操作環境下，如果有可能請務必使用吸塵裝備。時常將通氣孔上累積的塵垢噴吹乾淨，並在前端加設漏電斷路器 (PRCD)。加工金屬時電動工具內部可能堆積會導電的廢塵。這樣可能會影響電動工具的安全絕緣性能。

小心地保存和使用配件。

如果必須更換連接線，請務必交由 **Bosch** 或者經授權的 **Bosch** 電動工具顧客服務執行，以避免危害機器的安全性能。

顧客服務處和顧客諮詢中心

本公司顧客服務處負責回答有關本公司產品的維修、維護和備用零件的問題。以下的網頁中有分解圖和備用零件相關資料：www.bosch-pt.com

如果對本公司產品及其配件有任何疑问，博世應用諮詢小組很樂意為您提供協助。

當您需要諮詢或訂購備用零件時，請務必提供本產品型號銘牌上 10 位數的產品機號。

台灣進口商

台灣羅伯特博世股份有限公司
建國北路一段90號6樓
台北市10491
電話: (02) 7734 2588
傳真: (02) 2516 1176
www.bosch-pt.com.tw

製造商地址:

Robert Bosch Power Tools GmbH
羅伯特·博世電動工具有限公司
70538 Stuttgart / GERMANY
70538 斯圖加特/德國

以下更多客戶服務處地址:

www.bosch-pt.com/serviceaddresses

廢棄物處理

必須以符合環保的方式，回收再利用損壞的機器、配件和廢棄的包裝材料。



不可以把電動工具丟入家庭垃圾中。

ไทย

คำเตือนเพื่อความปลอดภัย

คำเตือนเพื่อความปลอดภัยทั่วไปในการใช้เครื่องมือไฟฟ้า

คำเตือน อ่านคำเตือนเพื่อความปลอดภัยและคำสั่งทั้งหมด การไม่ปฏิบัติตามคำเตือนและคำสั่งอาจเป็นสาเหตุใหญ่ถูกไฟฟ้าดูด เกิดไฟไหม้ และ/หรือได้รับบาดเจ็บอย่างร้ายแรง

เก็บรักษาคำเตือนและคำสั่งทั้งหมดสำหรับเปิดอ่านในภายหลัง

คำว่า "เครื่องมือไฟฟ้า" ในคำเตือนหมายถึง เครื่องมือไฟฟ้าของท่านที่ทำงานด้วยพลังงานไฟฟ้าจากแหล่งจ่ายไฟหลัก (มีสายไฟฟ้า) และเครื่องมือไฟฟ้าที่ทำงานด้วยพลังงานไฟฟ้าจากแบตเตอรี่ (ไร้สาย)

ความปลอดภัยในสถานที่ทำงาน

- ▶ รักษาสถานที่ทำงานให้สะอาดและมีไฟส่องสว่างดี สถานที่ที่มีมืดหรือรกรุงรังเข้ามาซึ่งอุบัติเหตุ
- ▶ อย่าใช้เครื่องมือไฟฟ้าทำงานในสภาพบรรยากาศที่จุดติดไฟได้ เช่น ในที่มีมีของเหลวไวไฟ ก๊าซ หรือฝุ่น เมื่อใช้เครื่องมือไฟฟ้าจะเกิดประกายไฟซึ่งอาจจุดฝุ่นหรือไอให้ลุกเป็นไฟได้
- ▶ ขณะใช้เครื่องมือไฟฟ้าทำงาน ต้องกั้นเด็กและผู้ยืนดูให้ออกห่าง การหันเหความสนใจอาจทำให้ท่านขาดการควบคุมเครื่องได้

ความปลอดภัยเกี่ยวกับไฟฟ้า

- ▶ ปลั๊กของเครื่องมือไฟฟ้าต้องเหมาะสมพอดีกับเต้าเสียบ อย่าดัดแปลงปลั๊กไม่ว่าในลักษณะใดๆ อย่างเด็ดขาด อย่าใช้ปลั๊กพ่วงต่อใดๆ กับเครื่องมือไฟฟ้าที่มีสายดิน ปลั๊กที่ไม่ดัดแปลงและเต้าเสียบที่เข้ากันช่วยลดความเสี่ยงจากการถูกไฟฟ้าดูด
- ▶ หลีกเลี่ยงอย่าให้ร่างกายสัมผัสกับพื้นผิวที่ต่อสายดินหรือลงกราวด์ไว เช่น ท่อ เครื่องทำความร้อน เตา และตู้เย็น จะเสี่ยงอันตรายจากการถูกไฟฟ้าดูดมาก ขึ้นหากกระแสไฟฟ้าวิ่งผ่านร่างกายของท่านลงดิน
- ▶ อย่าให้เครื่องมือไฟฟ้าถูกฝนหรืออยู่ในสภาพเปียกชื้น หากน้ำเข้าในเครื่องมือไฟฟ้า จะเพิ่มความเสี่ยงจากการถูกไฟฟ้าดูด
- ▶ อย่าใช้สายไฟฟ้าในทางที่ผิด อย่าใช้สายไฟฟ้าเพื่อยก ดึง หรือถ่วงปลั๊กเครื่องมือไฟฟ้า กั้นสายไฟฟ้าออกจากความรอน น้ำมัน ขอบแหลมคม หรือชิ้นส่วนที่เคลื่อนที่ สายไฟฟ้าที่ชำรุดหรือพันกันยุ่งเพิ่มความเสี่ยงจากการถูกไฟฟ้าดูด
- ▶ เมื่อใช้เครื่องมือไฟฟ้าทำงานกลางแจ้ง ให้ใช้สายไฟต่อที่เหมาะสมสำหรับงานกลางแจ้งช่วยลดอันตรายจากการถูกไฟฟ้าดูด

- ▶ หากไม่สามารถหลีกเลี่ยงการใช้เครื่องมือไฟฟ้าทำงานในสถานที่เปียกชื้นได้ ให้ใช้วิธีที่ตัดวงจรเมื่อเกิดการรั่วไหลของไฟฟ้าจากสายดิน (RCD) การใช้ลววิทซ์ตัดวงจรเมื่อเกิดการรั่วไหลของไฟฟ้าจากสายดินช่วยลดความเสี่ยงต่อการถูกไฟฟ้าดูด

ความปลอดภัยของบุคคล

- ▶ ท่านต้องอยู่ในสภาพพร้อมพร้อม ระวังแรงในสิ่งที่ท่านกำลังทำอยู่ และมีสติขณะใช้เครื่องมือไฟฟ้าทำงาน อย่าใช้เครื่องมือไฟฟ้าขณะที่ท่านกำลังเหนื่อย หรืออยู่ภายใต้การครอบงำของฤทธิ์ของยาเสพติด แอลกอฮอล์ และยาเมื่อใช้เครื่องมือไฟฟ้าทำงาน
- ▶ ในขั้นตอนที่ท่านขาดความเอาใจใส่อาจทำให้บุคคลบาดเจ็บอย่างรุนแรงได้
- ▶ ใช้อุปกรณ์ปกป้องร่างกาย สวมแว่นตาป้องกันเสมอ อุปกรณ์ปกป้อง เช่น หนากากกันฝุ่น รองเทากันลื่น หมวกแข็ง หรือประภทูกันเสียงดัง ที่เลือกใช้ตามความเหมาะสมกับสภาพการทำงาน สามารถลดอันตรายต่อบุคคลได้
- ▶ ป้องกันการติดเครื่องโดยไม่ตั้งใจ ตรวจสอบให้แน่ใจว่าสวิทช์อยู่ในตำแหน่งปิดก่อนเชื่อมต่อเข้ากับแหล่งจ่ายไฟ และ/หรือแบตเตอรี่แพ็ค ยกหรือถือเครื่องมือ การถือเครื่องโดยใช้นิ้วหัวที่สวิทช์ หรือเสียบปลั๊กไฟฯขณะสวิทช์เปิดอยู่ อาจนำไปสู่อุบัติเหตุที่ร้ายแรงได้
- ▶ นำเครื่องมือปรับแต่งหรือประแจปากตายออกก่อนเปิดสวิทช์เครื่องมือไฟฟ้า เครื่องมือหรือประแจปากตายที่วางอยู่กับส่วนของเครื่องที่กำลังหมุนจะทำให้บุคคลบาดเจ็บได้
- ▶ อย่าเอื้อมไกลเกินไป ตั้งทำขึ้นที่มั่นคงและวางน้ำหนักให้สมดุลตลอดเวลา ในลักษณะที่ท่านสามารถควบคุมเครื่องมือไฟฟ้าในสถานการณ์ที่ไม่คาดคิดได้ดีกว่า
- ▶ แต่งกายอย่างเหมาะสม อย่านำเสื้อผ้าหลวมหรือสวมเครื่องประดับ เข็มหมุด เล็บดำ และถุงมือ ออกห่างจากชิ้นส่วนที่กำลังหมุน เล็บดำหลวม เครื่องประดับ และผมยาวอาจเข้าไปติดในส่วนของเครื่องที่กำลังหมุนได้
- ▶ หากเครื่องมือไฟฟ้ามีข้อเชื่อมต่อกับเครื่องดูดฝุ่นหรือเครื่องเก็บผง ให้ตรวจสอบให้แน่ใจว่าได้เชื่อมต่อและใช้งานอย่างถูกต้อง การใช้อุปกรณ์ดูดฝุ่นช่วยลดอันตรายที่เกิดจากฝุ่นได้

การใช้และการดูแลรักษาเครื่องมือไฟฟ้า

- ▶ อย่างคินกำลังเครื่องมือไฟฟ้า ใช้เครื่องมือไฟฟ้าที่ถูกต้องตรงตามลักษณะงานของท่าน เครื่องมือไฟฟ้าที่ถูกต้องจะทำงานได้ดีกว่าและปลอดภัยกว่าในระยะสัมรรณภาพที่ออกแบบไว้
- ▶ อย่าใช้เครื่องมือไฟฟ้าถ้าสวิทช์ไม่สามารถเปิดปิดได้ เครื่องมือไฟฟ้าที่ไม่สามารถควบคุมการเปิดปิดด้วยสวิทช์ได้ เป็นเครื่องมือไฟฟ้าที่ไม่ปลอดภัยและต้องส่งซ่อมแซม
- ▶ ก่อนปรับแต่งเครื่อง เปลี่ยนอุปกรณ์ประกอบ หรือเก็บเครื่องมือไฟฟ้าเข้าที่ ต้องถอดปลั๊กไฟออกจากแหล่งจ่ายไฟ และ/หรือถอดแบตเตอรี่แพ็คออกจากเครื่องมือไฟฟ้า มาตรการป้องกันเพื่อความปลอดภัยนี้ช่วยลดความเสี่ยงจากการติดเครื่องโดยไม่ตั้งใจ

- ▶ เมื่อเลิกใช้งานเครื่องมือไฟฟ้า ให้เก็บเครื่องมือไว้นในที่ที่เด็กหยิบไม่ถึง และไม่อนุญาตให้บุคคลที่ไม่คุ้นเคยกับเครื่องมือไฟฟ้าเป็นของอันตรายหากตกอยู่ในมือของผู้ใช้ที่ไม่ได้รับการฝึกฝน
- ▶ บำรุงรักษาเครื่องมือไฟฟ้า ตรวจสอบชิ้นส่วนที่เคลื่อนที่ว่างไมตรงแนวหรือติดขัดหรือไม่ ตรวจสอบการแตกหักของชิ้นส่วนและสภาพอื่นใดที่อาจมีผลต่อการทำงานของเครื่องมือไฟฟ้า หากชำรุดต่อส่งเครื่องมือไฟฟ้าไปซ่อมแซมก่อนใช้งาน อุบัติเหตุหลายอย่างเกิดขึ้นเนื่องจากดูแลรักษาเครื่องมือไม่ดีพอ
- ▶ รักษาเครื่องมือตัดไม้คมและสะอาด หากบำรุงรักษาเครื่องมือที่มีขอบตัดแหลมคมอย่างถูกต้อง จะสามารถตัดได้ลื่นไม่ติดขัดและความคมได้ง่ายกว่า
- ▶ ใช้เครื่องมือไฟฟ้า อุปกรณ์ประกอบ เครื่องมือ และอุปกรณ์อื่นๆ ตรงตามคำแนะนำเหล่านี้ โดยคำนึงถึงเงื่อนไขการทำงานและงานที่จะทำ การใช้เครื่องมือไฟฟ้าทำงานที่ต่างไปจากวัตถุประสงค์การใช้งานของเครื่อง อาจนำไปสู่สถานการณ์ที่เป็นอันตรายได้

การบริการ

- ▶ ส่งเครื่องมือไฟฟ้าของท่านเข้ารับบริการจากช่างซ่อมที่มีคุณสมบัติเหมาะสม โดยใช้ชื่อที่เหมือนกันเท่านั้น ในลักษณะที่ท่านจะแน่ใจได้ว่าเครื่องมือไฟฟ้าอยู่ในสภาพที่ปลอดภัย

คำเตือนเพื่อความปลอดภัยสำหรับเครื่องขัดคอร์ดง

คำเตือนเพื่อความปลอดภัยทั่วไปสำหรับการขัดคอร์ดง
การแปร่งคอร์ดงและ การขัดง

- ▶ เครื่องมือไฟฟ้าที่มีวัตถุประสงคเพื่อการใช้งานเป็นเครื่องเจียรหรือแปร่งลวดหรือเครื่องขัดง อันคำเตือนเพื่อความปลอดภัย คำแนะนำ ภาพประกอบ และข้อมูลจำเพาะทั้งหมดที่จัดส่งมาพร้อมกับเครื่องมือไฟฟ้า การไม่ปฏิบัติตามคำแนะนำนำทั้งหมดที่ระบุไว้ด้านล่างนี้อาจทำให้ถูกไฟฟ้าดูด เกิดไฟไหม้ และ/หรือได้รับบาดเจ็บอย่างร้ายแรง
- ▶ ไม่แนะนำให้ใช้เครื่องมือไฟฟ้านี้กับงานขัดกระดาษทรายหรือตัดคอก หากใช้เครื่องมือทำงานที่ไม่ได้ถูกออกแบบมาสำหรับงานนี้ๆ อาจก่อให้เกิดอันตรายและได้รับบาดเจ็บ
- ▶ อย่าใช้อุปกรณ์ประกอบที่ผลิตไม่ได้แนะนำให้ใช้ และไม่ได้ออกแบบไว้ให้ใช้เฉพาะกับเครื่องมือไฟฟ้านี้ ด้วยเหตุนี้เพราะท่านสามารถถอดอุปกรณ์ประกอบเข้ากับเครื่องมือไฟฟ้าของท่านได้ ก็มีได้เป็นการรับรองว่าอุปกรณ์ประกอบจะทำงานได้อย่างปลอดภัย
- ▶ ความเร็วรอบกำหนดของอุปกรณ์ประกอบต้องเท่ากับความเร็วรอบสูงสุดที่ระบุไว้บนเครื่องมือไฟฟ้าเป็นอย่างน้อย อุปกรณ์ประกอบที่หมุนเร็วกว่าความเร็วรอบกำหนดของตัวเองอาจแตกและกระเด็นออกเป็นชิ้นๆ
- ▶ เส้นผ่าศูนย์กลางรอบนอกและความหนาของอุปกรณ์ประกอบของท่านต้องอยู่ในที่กีดความสามารถของเครื่องมือไฟฟ้าของท่าน อุปกรณ์ประกอบที่ผิดขนาดจะไม่ได้รับการปกป้องและความคุมอย่างเพียงพอ

- ▶ อุปกรณ์ประกอบที่ติดตั้งโดยการหมุนเกลียวต้องมีขนาดเกลียวที่เข้ากันพอดีกับเกลียวของแกนเครื่องเจียร สำหรับอุปกรณ์ประกอบที่ติดตั้งโดยใช้หม่าแมลง รูขี้ดของอุปกรณ์ประกอบต้องมีขนาดพอดีกับเส้นผ่าศูนย์กลางของหม่าแมลง อุปกรณ์ประกอบที่ไม่เข้าคู่กับส่วนที่ขีดยัดของเครื่องมือไฟฟ้า จะวิ่งไม่สมดุล สั่นตัวมาก และอาจทำให้สูญเสียการควบคุม
- ▶ อย่าใช้อุปกรณ์ประกอบที่ชำรุด ตรวจสอบอุปกรณ์ประกอบก่อนใช้งานทุกครั้ง เช่น จานขัดที่ถูรอยบิ่นและรอยแตก ร้าว แผ่นหมุนที่ถูรอยแตก ร้าว รอยฉีก หรือรอยสึกหรือที่มากเกินไป แปรงลวดให้ดูการโยกคลอนหรือการแตกหักของเส้นลวด หากเครื่องมือไฟฟ้าหรืออุปกรณ์ประกอบตกลง ให้ตรวจสอบความเสียหายหรือติดตั้งอุปกรณ์ประกอบที่ไม่ชำรุด หลังจากตรวจสอบและติดตั้งอุปกรณ์ประกอบแล้ว ตัวพาเองและบุคคลที่อยู่ใกล้เคียงต้องอยู่ห่างจากระนาบของอุปกรณ์ประกอบที่หมุน และปล่อยเครื่องมือไฟฟ้าเดินต่อเมลาที่ความเร็วสูงสุดนานหนึ่งนาที ตามปกติอุปกรณ์ประกอบที่ชำรุดจะแตกออกเป็นชิ้นๆ ในช่วงเวลาทดสอบนี้
- ▶ สวมอุปกรณ์ป้องกันเฉพาะตัว ให้ใช้กระบังป้องกันหน้า แวนตากันลมและฝุ่น หรือแว่นตาป้องกันอันตรายโดยขึ้นอยู่กับลักษณะการทำงาน สวมหมวกกันน็อก กระจกกันแสงสีตง ถุงมือ และผ้ากันเปื้อนสำหรับช่างที่สามารถกันผงขัดหรือเศษชิ้นงานขนาดเล็กตามความเหมาะสม แวนป้องกันตาต้องสามารถหยุดเศษผงที่ปลิวว่อนที่เกิดจากการทำงานแบบต่างๆ ได้ หมวกกันน็อกหรืออุปกรณ์ป้องกันระบบหายใจต้องสามารถกรองอนุภาคที่เกิดจากการทำงานของท่านได้ การได้ยินเสียงดังมากเป็นเวลานานอาจทำให้ท่านสูญเสียการได้ยิน
- ▶ กันบุคคลที่อยู่ใกล้เคียงให้อยู่ในระยะปลอดภัยห่างจากบริเวณทำงาน บุคคลใดที่เข้ามายังบริเวณทำงานต้องสวมอุปกรณ์ป้องกันเฉพาะตัว เศษวัสดุชิ้นงานหรืออุปกรณ์ประกอบที่แตกหักอาจปลิวออกมาและทำให้ได้รับบาดเจ็บนอกพื้นที่ปฏิบัติงานโดยตรง
- ▶ เมื่อทำงานในบริเวณที่เครื่องมือตัดอาจสัมผัสสายไฟฟ้าที่ซ่อนอยู่หรือสายไฟฟ้าของตัวเอง ต้องจับเครื่องมือไฟฟ้าตรงพื้นผิวจับที่หมุนจนวนเท่านั้น หากเครื่องมือตัดสัมผัสสายที่ “มีกระแสไฟฟ้า” ไหลผ่าน จะทำให้ชิ้นส่วนโลหะที่ไม่ได้หมุนจนวนของเครื่องมือไฟฟ้าเกิด “มีกระแสไฟฟ้า” ด้วย และส่งผลให้ผู้ใช้งานเครื่องถูกไฟฟ้าดูดได้
- ▶ จับสายไฟฟ้าออกจากอุปกรณ์ประกอบที่กำลังหมุน หากท่านสูญเสียการควบคุม สายไฟฟ้าอาจถูกตัดหรือถูกดึงรั้งไว้ และมือหรือแขนของท่านอาจถูกกระชากเข้าหาอุปกรณ์ประกอบที่กำลังหมุน
- ▶ อย่าวางเครื่องมือไฟฟ้าลงบนพื้นจนกว่าอุปกรณ์ประกอบจะหยุดหมุนและนิ่งอยู่กับที่แล้ว อุปกรณ์ประกอบที่หมุนอยู่อาจเหวี่ยงถูกพื้นและกระชากเครื่องมือไฟฟ้าออกจากการควบคุมของท่าน
- ▶ อย่าเปิดเครื่องมือไฟฟ้าทำงานขณะถือเครื่องไว้ข้างตัว เลือผ้าของท่านอาจเกี่ยวพันกับอุปกรณ์ประกอบที่กำลังหมุนโดยไม่ตั้งใจ และจุดอุปกรณ์ประกอบเข้าหาร่างกายของท่านได้

- ▶ ทำความสะอาดช่องระบายอากาศของเครื่องมือไฟฟ้า อย่างสม่ำเสมอ พัดลมของมอเตอร์จะดูดฝุ่นเข้าไปในตัวเรือน และผงโลหะที่พอกสะสมกันมากเกินไป อาจทำให้เกิดอันตรายทางไฟฟ้าได้
- ▶ อย่าใช้เครื่องมือไฟฟ้าทำงานใกล้วัตถุติดไฟได้ ประกายไฟสามารถจุดวัสดุเหล่านี้ให้ลุกเป็นไฟ
- ▶ อย่าใช้อุปกรณ์ประกอบที่ต้องใช้สารหล่อเย็นที่เป็นของเหลว การใช้น้ำหรือสารหล่อเย็นอื่นๆ ที่เป็นของเหลวอาจทำให้กระแสไฟฟ้าวิ่งผ่านเข้าตัวจนเสียชีวิตหรือถูกไฟฟ้าดูดได้

การตีกลับและค่าเตือนเกี่ยวเนื่อง

การตีกลับคือแรงสะท้อนกะทันหันที่เกิดจากจานขัด แผ่นหมุนแปรง และอุปกรณ์ประกอบอื่นใดเกิดบิดหรือถูกเหนี่ยวรั้งขณะที่กำลังหมุน การบิดหรือการเหนี่ยวรั้งทำให้อุปกรณ์ประกอบที่กำลังหมุนหยุดกะทันหัน ด้วยเหตุนี้เครื่องมือไฟฟ้าที่ขาดการควบคุมจึงถูกผลักไปในทิศทางตรงกันข้ามกับการหมุนของอุปกรณ์ประกอบ ณ จุดที่เกิดการติดขัด

ตัวอย่าง เช่น หากจานขัดถูกเหนี่ยวรั้งหรือบิดโดยชิ้นงาน ขอบของจานขัดที่ติดอยู่ในจุดบิดอาจขูดเข้าไปในพื้นผิวของชิ้นงาน ทำให้จานขัดมีขอบหรือผลัดตัวออกมา จานขัดอาจกระโดดเข้าหาหรือกระโดดออกจากผู้ใช้เครื่อง ทั้งนี้ขึ้นอยู่กับทิศทางเคลื่อนที่ของจานขัด ณ จุดบิด ในสถานการณ์เช่นนี้จานขัดอาจแตกหักได้ด้วยการตีกลับเป็นผลจากการใช้เครื่องมือไฟฟ้าในทางที่ผิด และ/หรือมีกระบวนการหรือเงื่อนไขการทำงานที่ไม่ถูกต้อง และสามารถหลีกเลี่ยงได้ด้วยการป้องกันไว้ก่อนอย่างถูกต้องตั้งระยะไว้ด้านหลังนี้

- ▶ จับเครื่องมือไฟฟ้าให้แน่น และตั้งตัวและแขนของท่านให้สามารถต้านแรงตีกลับได้ หากมีตามจับเพิ่ม ต้องใช้ตามจับเพิ่มรวมด้วยเสมอ ทั้งนี้เพื่อที่จะสามารถควบคุมการตีกลับหรือกำลังสะท้อนจากแรงบิดขณะสแตททเครื่องได้อย่างเต็มที่ ผู้ใช้เครื่องสามารถควบคุมกำลังสะท้อนจากแรงบิดหรือการตีกลับ หากได้ระยะรั้งอย่างถูกต้องไว้ก่อน
- ▶ อายืนมือของท่านเข้าใกล้อุปกรณ์ประกอบที่กำลังหมุนอย่างเด็ดขาด อุปกรณ์ประกอบอาจตีกลับมาที่มือของท่านได้
- ▶ อย่าให้ร่างกายของท่านอยู่ในบริเวณที่เครื่องมือไฟฟ้าจะเคลื่อนเข้าหาหากเกิดการตีกลับ การตีกลับจะผลักเครื่องมือไฟฟ้าไปยังทิศทางตรงกันข้ามกับการเคลื่อนที่ของจานขัด ณ จุดเหนี่ยวรั้ง
- ▶ ใช้ความระมัดระวังเป็นพิเศษเมื่อทำงานบริเวณมุม ขอบแหลมคม ฯลฯ ป้องกันไม่ให้อุปกรณ์ประกอบแดงกลับจากชิ้นงานและติดขัด มุม ขอบแหลมคม และการกระเด็นกลับมักจะเป็นอันตราย อุปกรณ์ประกอบที่กำลังหมุน และทำให้สูญเสียการควบคุมหรือทำให้เกิดการตีกลับ
- ▶ อย่าประกอบใบเลื่อยโซ่แก๊สกับไม้หรือใบเลื่อยแบบมีฟันใบเลื่อยเหล่านี้ทำให้เกิดการตีกลับและสูญเสียการควบคุมบ่อยครั้ง

คำเตือนเพื่อความปลอดภัยเฉพาะสำหรับการชาร์จ

- ▶ ใช้เฉพาะจากรุ่นที่แนะนำให้ใช้กับเครื่องมือไฟฟ้าของท่าน และกระบังป้องกันเฉพาะที่ออกแบบไว้สำหรับงานที่เลือกใช้นั้น งานที่ไม่ได้ออกแบบไว้สำหรับใช้กับเครื่องมือไฟฟ้าจะไม่ได้รับการปกป้องอย่างเพียงพอและไม่ปลอดภัย
- ▶ งานขัดคุบจนควรติดตั้งในลักษณะที่พื้นผิวขัดจะต้องไม่ยื่นออกมาจนกระทบของขอบกระบังป้องกัน งานที่ติดตั้งไม่ถูกต้องที่ยื่นเลยระนาบของขอบกระบังป้องกันจะไม่ได้รับการป้องกันอย่างเพียงพอ
- ▶ ต้องใช้งานสำหรับการใช้งานที่แนะนำเท่านั้น ตัวอย่างเช่น: อย่าขัดวัสดุด้วยด้านข้างของจานตัดออก จานตัดออกผลิตไว้เพื่อใช้ขัดตรงขอบนอกของจานขัดวัสดุ แรงดันข้างที่กดลงบนแผ่นงานอาจทำให้จานแตกละเอียดได้
- ▶ ใช้หน้าแปลนรองรับที่ไม่ชำรุดที่มีขนาดและรูปร่างที่ถูกต้องสำหรับงานที่ท่านเลือกเสมอ หน้าแปลนรองรับที่ถูกต้องจะหนุนงาน และด้วยเหตุนี้จึงลดการแตกหักของงาน หน้าแปลนรองรับสำหรับงานตัดอาจมีลักษณะต่างจากหน้าแปลนรองรับสำหรับงานขัด
- ▶ อย่าใช้งานที่สึกกร่อนมาจากเครื่องมือไฟฟ้าขนาดใหญ่กว่า งานที่ผลิตไว้สำหรับเครื่องมือไฟฟ้าขนาดใหญ่กว่าไม่เหมาะจะนำมาใช้กับเครื่องมือไฟฟ้าขนาดเล็กกว่าที่มีความเร็วสูงกว่า และอาจแตกกระเด็นได้

คำเตือนเพื่อความปลอดภัยเฉพาะสำหรับการขัดด้วยแปรง

- ▶ อย่าปล่อยให้แผ่นผ้าขนเน็ดขัดเงาหวมหรือเชือกผูกของแผ่นผ้าขนเน็ดเหวี่ยงหมุนอย่างอิสระ ให้เก็บข้อเชือกผูกที่หวมทั้งหมดหรือตัดออก เชือกผูกที่หวมและเหวี่ยงหมุนอาจพันนิ้วของท่านหรือติดขัดบนชิ้นงานได้

คำเตือนเพื่อความปลอดภัยเฉพาะสำหรับการขัดด้วยแปรงลวด

- ▶ พึงคำนึงไว้ว่าแม้ขณะใช้แปรงขัดตามปกติ ขนแปรงลวดอาจจะหลุดออกจากแปรงไปเองได้ อย่ากดแปรงลวดหนักเกินไปโดยใช้กำลังย่ำลงบนแปรง ขนแปรงลวดสามารถแทงทะลุมาบ้าง และ/หรือผิวหนังได้อย่างง่ายดาย
- ▶ เมื่อต้องการขัดด้วยแปรงลวด หากมีการแนะนำให้ใช้เครื่องป้องกันร่วมด้วย ต้องตรวจสอบไม่ให้จานลวดหรือแปรงลวดแทรกเข้าไปในตัวกระบัง จานลวดหรือแปรงลวดอาจมีขนาดเส้นผ่าศูนย์กลางกว้างขึ้นเนื่องจากแรงกดและแรงเหวี่ยงจากจุดศูนย์กลาง

คำแนะนำเพื่อความปลอดภัยเพิ่มเติม



สวมแว่นตาป้องกันอันตราย

- ▶ ใช้เครื่องตรวจจับที่เหมาะสมเพื่อตรวจหาสายไฟฟ้าหรือท่อสาธารณูปโภคที่อาจซ่อนอยู่ในบริเวณทำงาน หรือติดต่อบริษัทสาธารณูปโภคในพื้นที่เพื่อขอความช่วยเหลือ การสัมผัสกับสายไฟฟ้าอาจทำให้เกิดไฟไหม้หรือถูกไฟฟ้าดูด

การทำให้อ่อนแก้อาจเสียหายอาจทำให้เกิดระเบิด การเจาะเข้าไปในท่อทำให้ทรัพย์สินเสียหาย หรืออาจเป็นเหตุให้ถูกไฟฟ้าดูดได้

- ▶ เมื่อแหล่งจ่ายไฟฟ้าขัดจังหวะ ต. ย. เช่น เนื่องจากไฟฟ้าขัดของหรือตึงปลั๊กไฟหรือออปท์ โพลลอสสวิทช์เปิด-ปิด และสวิตช์ไปที่ตำแหน่งปิด ในลักษณะนี้จะช่วยป้องกันไม่ให้เครื่องตัดสวิตช์อีก ครั้งอย่างควบคุมไม่ได้
- ▶ อย่าสัมผัสจานขัดจนกว่าจะเย็นลง ขณะทำงานจานจะร้อนมาก
- ▶ ยึดชิ้นงานให้แน่น การยึดชิ้นงานด้วยเครื่องมือหนีบหรือแท่นจับจะมั่นคงกว่าการยึดด้วยมือ

รายละเอียดผลิตภัณฑ์และข้อมูลจำเพาะ



อ่านคำเตือนเพื่อความปลอดภัยและคำแนะนำทั้งหมด การไม่ปฏิบัติตามคำเตือนและคำสั่งอาจเป็นสาเหตุให้ถูกไฟฟ้าดูด เกิดไฟไหม้ และ/หรือได้รับบาดเจ็บอย่างร้ายแรง

กรุณาดูภาพประกอบในส่วนของคู่มือการใช้งาน

ประโยชน์การใช้งานของเครื่อง

เครื่องมือไฟฟ้ามีไว้สำหรับการเจียรและขัดโลหะด้วยการกัดกร่อนคอร์รันดัม เช่นเดียวกับการทำงานกับวัสดุบนสายพานขัด

นอกจากนี้ เครื่องมือไฟฟ้านี้ยังออกแบบมาสำหรับใช้แปรงหรือขัดเงาโลหะ

ส่วนประกอบที่แสดงในภาพ

ลำดับเลขของส่วนประกอบผลิตภัณฑ์อ้างอิงถึงส่วนประกอบของเครื่องมือไฟฟ้าที่แสดงในหน้าภาพประกอบ

- (1) แหวนรัดก้าน
- (2) นอตยึด
- (3) แกนขัด
- (4) ปลอกแกน (พื้นผิวจับหุ้มฉนวน)
- (5) สวิทช์เปิด/ปิด (GGG 30 LS / GGS 30 S)
- (6) ล้อปรับเลือกความเร็วรอบล่วงหน้า
- (7) ตามจับ (พื้นผิวจับหุ้มฉนวน)
- (8) ปลอกเกลียวตอกันที่แกนเครื่อง¹⁾
- (9) ปลอกเกลียวตอกันที่นอตยึด¹⁾
- (10) ระยะเวลาของก้าน L₀
- (11) สวิทช์เปิด/ปิด (GGG 30 LPS)
- (12) ตัวล็อกป้องกันการเปิดใช้งานสำหรับสวิตช์เปิด/ปิด (GGG 30 LPS)
- (13) ตัวล็อกแกน

a) อุปกรณ์เสริมนี้ไม่อยู่ในรายการอุปกรณ์มาตรฐานที่จัดส่ง

ข้อมูลทางเทคนิค

เครื่องจักร		GG5 30 LS	GG5 30 LPS	GG5 30 S
หมายเลขสินค้า		3 601 BB5 0..	3 601 BB5 2..	3 601 BB5 1..
กำลังไฟฟีกัด	วัตต์	750	750	750
กำลังไฟเอาต์พุต	วัตต์	400	400	400
ความเร็วรอบฟีกัด	นาที ⁻¹	33000	33000	33000
ช่วงการปรับความเร็วรอบ	นาที ⁻¹	7000-33000	7000-33000	7000-33000
เส้นผ่านศูนย์กลางสูงสุดของแหวนรัดก้าน	มม.	8	8	8
พื้นผิวชั้นประแจที่				
- นอตยึด	มม.	17	17	17
- แคนขัด	มม.	15	15	15
เส้นผ่านศูนย์กลางของปลอกแกน	มม.	43	43	43
เส้นผ่านศูนย์กลางสูงสุดของเครื่องมือขัด	มม.	50	50	45
ระยะเปิดสูงสุดของก้าน L ₀	มม.	10	10	10
ความยาวสูงสุดของก้านติดตั้ง	มม.	35	35	35
ระบบอิเล็กทรอนิกส์คงที่		●	●	●
การเลือกความเร็วรอบล่วงหน้า		●	●	●
การยับยั้งการตีกลับ		●	●	●
ระบบป้องกันการกลับมาเดินเครื่อง		●	●	●
ระบบเริ่มการทำงานอย่างนุ่มนวล		●	●	●
น้ำหนัก ^{A)}	กก.	1.7	1.8	1.5
ระดับการป้องกัน		□/	□/	□/

A) น้ำหนักโดยไมรวมสายเชื่อมต่อแหล่งจ่ายไฟและไมรวมปลั๊กไฟ

ค่าที่ให้นี้ใช้ได้กับแรงดันไฟฟ้าอนินอล [U] 230 โวลต์ค่าเหล่านี้อาจเปลี่ยนแปลงไปสำหรับแรงดันไฟฟ้าที่แตกต่างกันและโมเดลที่ผลิตสำหรับเฉพาะประเทศ

ค่าอาจแตกต่างกันไปตามผลิตภัณฑ์และขึ้นอยู่กับเงื่อนไขการใช้งานและสภาพแวดล้อม โปรดดูข้อมูลเพิ่มเติมที่เว็บไซต์ www.bosch-professional.com/wac

การติดตั้ง

▶ ดึงปลั๊กไฟออกจากเต้าเสียบก่อนปรับแต่งเครื่อง

การติดตั้งเครื่องมือขัดโดยใช้ประแจปากตายและใช้ตัวล็อกแกน (ดูภาพประกอบ A)

▶ ใช้ประแจปลายเปิดที่พอดีและไม่เสียหายเท่านั้น (ดู "ข้อมูลทางเทคนิค")

- ทำความสะอาดแกนขัด (3) และชิ้นส่วนทุกชิ้นที่จะติดตั้ง
- กดตัวล็อกแกน (13) แล้วหมุนน็อตปรับความตึง (2) ด้วยมือจนเข้าล็อก
- กดตัวล็อกแกนค้างไว้ แล้วคลายน็อตปรับความตึง (2) โดยการหมุนประแจปากตาย (9) ทวนเข็มนาฬิกา
- เลียบก้านปรับความตึงของเครื่องขัดเข้าไปในแหวนรัดก้าน (1) จนสุด
- กดตัวล็อกแกน (13) แล้วดึงเครื่องมือที่นำมาใช้งานให้ตึง โดยการขันประแจปากตาย (9) ที่พื้นผิวชั้นประแจให้แน่นตามทิศทางการลูกศร

เครื่องมือขัดต้องวิ่งเป็นวงกลมร่วมศูนย์เดียวกันอย่างแท้จริง อย่าใช้วัสดุขัดที่เสื่อมแล้ว แต่ให้เปลี่ยนวัสดุขัดเหล่านี้ใหม่

- ▶ **อย่าขันแหวนรัดก้านเครื่องมือด้วยนอตซึ่งเข้าจนแน่นโดยไม่มีวัสดุขัดใส่อยู่** มิฉะนั้นแหวนรัดอาจชำรุดได้
- ▶ **ใช้เฉพาะหมุดขัดที่มีเส้นผ่านศูนย์กลางก้านที่เหมาะสมเท่านั้น** หมุดขัดซึ่งมีเส้นผ่านศูนย์กลางเพลาไม่ตรงกับที่จับเครื่องมือไฟฟ้า (ดู "ข้อมูลทางเทคนิค") จะไม่สามารถจับได้อย่างถูกต้องและจะทำให้แหวนรัดก้านเครื่องมือเสียหายได้
- ▶ **ต้องตรึงเครื่องมือที่ไว้อย่างน้อย 10 มม.** สามารถใช้ระยะเปิดของก้านเพลา L₀ เพื่อกำหนดความเร็วสูงสุดที่อนุญาตของเครื่องมือได้จากข้อมูลที่ผู้ผลิตเครื่องมือ ซึ่งต้องไม่ต่ำกว่าความเร็วสูงสุดของเครื่องมือไฟฟ้า

การติดตั้งเครื่องมือขัดโดยใช้ประแจปากตายสองดอก (ดูภาพประกอบ B)

- ▶ ใช้ประแจปลายเปิดที่พอดีและไม่เสียหายเท่านั้น (ดู "ข้อมูลทางเทคนิค")

- ทำความสะอาดแกนขัด (3) และทุกชิ้นส่วนที่จะติดตั้ง
- จับก้านที่แกนเครื่อง (3) โดยใช้ประแจปากตาย (8) พันราบสำหรับประแจให้แน่น คลายนอตยึด (2) ด้วยประแจปากตาย (9) ตรงพื้นราบสำหรับประแจ โดยหมุนทวนเข็มนาฬิกา
- เลียบตัวซึ่งเครื่องขัดเข้าในแหวนรัดก้านเครื่องมือ (1) จนสุด
- ยึดก้านที่แกนเครื่อง (3) ด้วยประแจปากตาย (8) ให้แน่น และตรึงเครื่องมือด้วยประแจปากตาย (9) พันราบสำหรับประแจให้แน่นโดยหมุนตามเข็มนาฬิกา

เครื่องมือขัดต้องวิ่งเป็นวงกลมร่วมศูนย์กลางเดียวกันอย่างแท้จริง อย่าใช้วัสดุขัดที่เสื่อมแล้ว แต่ให้เปลี่ยนวัสดุขัดเหล่านี้ใหม่

- ▶ **อย่าขยับแหวนรัดก้านเครื่องมือด้วยมือซึ่งเข้าจนแน่นโดยไม่ใช้วัสดุขัดใสอยู่** มิฉะนั้นแหวนรัดอาจชำรุดได้
- ▶ **ใช้เฉพาะหุ้มขัดที่มีเส้นผ่านศูนย์กลางก้านที่เหมาะสมเท่านั้น** หุ้มขัดซึ่งมีเส้นผ่านศูนย์กลางเพลาไม่ตรงกับที่จับเครื่องมือไฟฟ้า (ดู “ข้อมูลทางเทคนิค”) จะไม่สามารถจับได้อย่างถูกต้องและจะทำให้แหวนรัดก้านเครื่องมือเสียหายได้
- ▶ **ต้องตรึงเครื่องมือที่ไข้อย่างน้อย 10 มม.** สามารถใช้ระยะเปิดของก้านเพลา L_0 เพื่อกำหนดความเร็วสูงสุดที่อนุญาตของเครื่องมือได้จากข้อมูลของผู้ผลิตเครื่องมือ ซึ่งต้องไม่ต่ำกว่าความเร็วสูงสุดของเครื่องมือไฟฟ้า

การดูดฝุ่น/ซีลื้อ

ฝุ่นที่ได้อาจวัสดุ เช่น เคลือบผิวที่มีสารตะกั่ว โม่ยางประเภทแร่ธาตุ และโลหะ อาจเป็นอันตรายต่อสุขภาพ การสัมผัสหรือการหายใจเอาฝุ่นเข้าไปอาจทำให้เกิดปฏิกิริยาแพ้ฝุ่น และ/หรือนำมาซึ่งโรคติดต่อเชื้อระบบหายใจแก่ผู้ใช้เครื่องมือหรือผู้ที่ยืนอยู่ใกล้เคียง

ฝุ่นบางประเภท เช่น ฝุ่นไม้อัด หรือไม้มีขี้ ไม้ เป็นสารที่ทำให้เกิดมะเร็ง โดยเฉพาะอย่างยิ่งเมื่อผสมกับสารเติมแต่งเพื่อยับยั้งไฟ (โครเมียม ผลิตภัณฑ์รักษาเนื้อไม้) สำหรับวัสดุที่มีแอลเบสทดสอบใหญ่เชี่ยวชาญทำงานเท่านั้น

- จัดสถานที่ทำงานให้มีการระบายอากาศที่ดี
- ขอแนะนำให้สวมหน้ากากป้องกันการติดเชื้อที่มีระดับ-ISO กรอง P2

ปฏิบัติตามกฎข้อบังคับสำคัญอื่นๆ ที่เกี่ยวข้องกับวัสดุชิ้นงานที่บังคับใช้ในประเทศของท่าน

- ▶ **ป้องกันการสะสมของฝุ่นในสถานที่ทำงาน** ฝุ่นสามารถถูกไล่ออกอย่างง่ายดาย

การปฏิบัติงาน

การเริ่มต้นปฏิบัติงาน

- ▶ **ให้สังเกตแรงดันไฟฟ้า! แรงดันไฟฟ้าจากแหล่งจ่ายไฟฟ้าต้องมีค่าตรงกับค่าแรงดันไฟฟ้าที่ระบุไว้บนแผ่นป้ายพิกัดเครื่อง**
- ▶ **ก่อนใช้งานทุกครั้งให้ตรวจสอบว่า แหวนรัดก้านเครื่องมือ (1) และนอตยึด (2) ไม่มีความเสียหายที่มองเห็นได้**

การเปิด/ปิดใช้งาน

GGG 30 LS/GGS 30 S

เมื่อต้องการให้เครื่องมือไฟฟ้าเริ่มต้นทำงาน ให้กดสวิตช์เปิด-ปิด (5) ไปข้างหน้า

เมื่อต้องการ**ล็อก**สวิตช์เปิด-ปิด (5) ให้กดสวิตช์เปิด-ปิด (5) ลงตรงส่วนหน้าจนเข้าล็อก

เมื่อต้องการ**ปิด**สวิตช์เครื่องมือไฟฟ้า ให้ปล่อยนิ้วจากสวิตช์เปิด-ปิด (5) หรือในกรณีที่สวิตช์ถูกล็อกอยู่ ให้กดตรงส่วนท้ายของสวิตช์เปิด-ปิด (5) ลงสั้นๆ และปล่อยนิ้ว

การเปิด/ปิดใช้งาน

GGG 30 LPS

สำหรับการ**เริ่มใช้งาน**เครื่องมือไฟฟ้า **ในขั้นแรก** ให้ดันตัวล็อกป้องกันการเปิดใช้งาน (12) ไปทางด้านหลัง จากนั้น จึงกดสวิตช์เปิด/ปิด (11) ค้างไว้

เมื่อต้องการ**ปิด**สวิตช์ เครื่องมือไฟฟ้าให้ปล่อยนิ้วจากสวิตช์เปิด-ปิด (11)

ระบบอิเล็กทรอนิกส์คงที่

ระบบควบคุมอิเล็กทรอนิกส์คงที่จะรักษาความเร็วรอบขณะเดินเครื่องตัวเปล่าและขณะใช้งานใหม่ค่าเกือบคงที่ และทำให้ได้ประสิทธิภาพการทำงานที่ดีที่สุดเสมอ

การปรับความเร็วรอบล่วงหน้า

ในระหว่างการทำงานท่านยังสามารถเลือกความเร็วรอบที่ต้องการล่วงหน้าได้ด้วยการกดปุ่มความเร็วรอบล่วงหน้า (6) ความเร็วที่ต้องการนั้นขึ้นอยู่กับวัสดุที่ต้องการแปรรูปและเส้นผ่านศูนย์กลางของเครื่องมือ รักษาให้ความเร็วรอบสูงสุดอยู่ภายในขอบเขตที่อนุญาต

GGG 30 LS/GGS 30 LPS

เมื่อใช้ความเร็วรอบสูงสุด เส้นผ่านศูนย์กลางสูงสุดที่อนุญาตของอุปกรณ์เสริมจะอยู่ที่ 40 มม.

GGG 30 S

เมื่อใช้ความเร็วรอบสูงสุด เส้นผ่านศูนย์กลางสูงสุดที่อนุญาตของอุปกรณ์เสริมจะอยู่ที่ 45 มม.

หากคุณใช้งานอุปกรณ์เสริมที่มีเส้นผ่านศูนย์กลาง 50 มม. โปรดตรวจสอบให้แน่ใจว่าความเร็วรอบมีค่าไม่เกิน 30000 นาที⁻¹

ตำแหน่งของล้อปรับ	ความเร็วรอบเดินเบา (นาที ⁻¹)
1	7,000
2	9,500
3	15,000
4	19,000
5	25,000
6	33,000

การยับยั้งการตีกลับ



หากมีการตีกลับอย่างฉับพลันในเครื่องมือไฟฟ้า ต. ย. เช่น การตัดขุดในการเจาะ การจ่ายไฟฟ้าไปยังมอเตอร์จะถูกขัดจังหวะด้วยระบบอิเล็กทรอนิกส์

เมื่อต้องการ**เริ่มใช้งานอีกครั้ง** ให้สลับสวิทช์เปิด/ปิด (5)/ (11) ไปยังตำแหน่งปิด แล้วเปิดใช้งานเครื่องมือไฟฟ้าอีกครั้ง

การป้องกันการกลับมาเดินเครื่อง

ระบบป้องกันการกลับมาเดินเครื่องช่วยป้องกันไม่ให้เครื่องมือไฟฟ้าเริ่มทำงานใหม่โดยไม่มีกรควบคุมหลังจากการจ่ายกระแสไฟขัดข้อง

เมื่อต้องการ**เริ่มใช้งานอีกครั้ง** ให้สลับสวิทช์เปิด/ปิด (5)/ (11) ไปยังตำแหน่งปิด แล้วเปิดใช้งานเครื่องมือไฟฟ้าอีกครั้ง

หมายเหตุ: ในกรณีที่ปิดและเปิดใช้งานอีกครั้งอย่างรวดเร็ว ระบบป้องกันการกลับมาเดินเครื่องอาจถูกกระตุ้นให้ทำงานและเครื่องมือไฟฟ้าอาจไม่เริ่มทำงานแม้จะสั่งงานสวิทช์เปิด/ปิด (5)/(11) แล้วก็ตาม ให้สลับสวิทช์เปิด/ปิด (5)/(11) ไปยังตำแหน่งปิด แล้วเปิดใช้งานเครื่องมือไฟฟ้าอีกครั้ง

การสตาร์ทแบบนุ่มนวล

ระบบสตาร์ทแบบนุ่มนวลอิเล็กทรอนิกส์จะจำกัดแรงบิดเมื่อเปิดสวิทช์และเพิ่มอายุการใช้งานของมอเตอร์

ข้อแนะนำในการทำงาน

- ▶ **ดึงปลั๊กไฟออกจากเต้าเสียบก่อนปรับแต่งเครื่อง**
- ▶ **ป้องกันเครื่องมือขัดไม่ไถ่กระแส**
- ▶ **อย่าใช้งานเครื่องมือไฟฟ้าหนักเกินไปจนเครื่องหยุดชะงัก**
- ▶ **หลังใช้งานเครื่องมือไฟฟ้าอย่างหนัก ต้องปล่อยเครื่องให้วิ่งตัวเปล่าต่อเป็นเวลาสองสามนาทีเพื่อให้เครื่องมือเย็นลง**
- ▶ **วัสดุขี้จะร้อนมากในขณะที่ใช้งาน อย่าสัมผัสวัสดุจนกว่าจะเย็นลง**

เคลื่อนล้อขัดไปมาโดยใช้แรงกดเบาๆ เพื่อให้ได้ผลลัพธ์ที่ดีที่สุด หากใช้แรงกดมากเกินไปจะส่งผลต่อการลดประสิทธิภาพของเครื่องมือไฟฟ้าและนำไปสู่การสึกหรอของเครื่องมือขัดเร็วยิ่งขึ้น

การบำรุงรักษาและการบริการ

การบำรุงรักษาและการทำความสะอาด

- ▶ **ดึงปลั๊กไฟออกจากเต้าเสียบก่อนปรับแต่งเครื่อง**
- ▶ **เพื่อให้ทำงานได้อย่างถูกต้องและปลอดภัย ต้องรักษาเครื่องและช่องระบายอากาศให้สะอาดอยู่เสมอ**
- ▶ **หากใช้เครื่องทำงานหนัก ให้ใช้อุปกรณ์ดูดฝุ่นออกหาที่จะทำได้เสมอ เป่าช่องระบายอากาศเป็นประจำและติดตั้งเครื่องตัดไฟรั่ว (RCD) เมื่อทำงานกับโลหะ**
ฝุ่นซึ่งมีคุณสมบัตินำความร้อนและกระแสไฟฟ้าอาจสะสมอยู่ข้างในเครื่องมือไฟฟ้า ฉนวนป้องกันทั้งหมดของเครื่องมือไฟฟ้าอาจได้รับผลเสีย

กรุณาเก็บรักษาและจัดเก็บอุปกรณ์ประกอบอย่างระมัดระวัง หากจำเป็นต้องเปลี่ยนสายไฟฟ้า ต้องส่งเครื่องให้ Bosch หรือศูนย์บริการหลังการขายที่ได้รับมอบหมายสำหรับเครื่องมือไฟฟ้า Bosch เปลี่ยนให้ ทั้งนี้เพื่อหลีกเลี่ยงอันตราย

การบริการหลังการขายและการให้คำปรึกษาการใช้งาน

ศูนย์บริการหลังการขายของเรายินดีตอบคำถามของท่านที่เกี่ยวกับการบำรุงรักษาและการซ่อมแซมผลิตภัณฑ์รวมทั้งเรื่องอะไหล่ ภาพเขียนแบบการประกอบและข้อมูลเกี่ยวกับอะไหล่ กรุณาดูใน: www.bosch-pt.com ที่มงานที่ปรึกษาของ บอช อินดีให้ข้อมูลเกี่ยวกับผลิตภัณฑ์ของเราและอุปกรณ์ประกอบต่างๆ

เมื่อต้องการสอบถามและสั่งซื้ออะไหล่ กรุณาแจ้งหมายเลขสินค้า 10 หลักบนแผ่นป้ายรุ่นของผลิตภัณฑ์ทุกครั้ง

ไทย

ไทย บริษัท โรเบิร์ต บอช จำกัด
 เอพวยไอ เซ็นเตอร์ อาคาร 1 ชั้น 5
 เลขที่ 2525 ถนนพระราม 4
 แขวงคลองเตย เขตคลองเตย กรุงเทพฯ 10110
 โทร: +66 2012 8888
 แฟกซ์: +66 2064 5800
www.bosch.co.th

ศูนย์บริการซ่อมและฝึกอบรม บอช
 อาคาร ลาซาลทาวเวอร์ ชั้น G ห้องเลขที่ 2
 บ้านเลขที่ 10/11 หมู่ 16
 ถนนศรีนครินทร์ ตำบลบางแก้ว อำเภอบางพลี
 จังหวัดสมุทรปราการ 10540
 ประเทศไทย
 โทรศัพท์ 02 7587555
 โทรสาร 02 7587525

สามารถดูที่อยู่ศูนย์บริการอื่นๆ ได้ที่:

www.bosch-pt.com/serviceaddresses

การกำจัดขยะ

เครื่องมือไฟฟ้า อุปกรณ์ประกอบ และที่บ่อ ต้องนำไปแยกประเภทวัสดุเพื่อการรีไซเคิลที่เป็นมิตรต่อสิ่งแวดล้อม อยาทิ้งเครื่องมือไฟฟ้าลงในขยะบ้าน!



Bahasa Indonesia

Petunjuk Keselamatan

Petunjuk Keselamatan Umum Perkakas Listrik

⚠ PERINGATAN Bacalah semua petunjuk keselamatan dan semua petunjuk penggunaan. Kesalahan dalam menjalankan petunjuk keselamatan dan petunjuk penggunaan dapat mengakibatkan sengatan listrik, kebakaran, dan/atau cedera serius.

Simpanlah semua petunjuk keselamatan dan petunjuk penggunaan untuk acuan di masa mendatang.

Istilah "perkakas listrik" dalam petunjuk keselamatan mengacu pada perkakas listrik yang dioperasikan dengan listrik (menggunakan kabel) atau perkakas listrik yang dioperasikan dengan baterai (tanpa kabel).

Keamanan tempat kerja

- ▶ **Jaga kebersihan dan pencahayaan area kerja.** Area yang berantakan atau gelap dapat memicu kecelakaan.
- ▶ **Jangan mengoperasikan perkakas listrik di lingkungan yang dapat memicu ledakan, seperti adanya cairan, gas, atau debu yang mudah terbakar.** Perkakas listrik dapat memancarkan bunga api yang kemudian mengakibatkan debu atau uap terbakar.
- ▶ **Jauhkan dari jangkauan anak-anak dan pengamat saat mengoperasikan perkakas listrik.** Gangguan dapat menyebabkan hilangnya kendali.

Keamanan listrik

- ▶ **Steker perkakas listrik harus sesuai dengan stopkontak. Jangan pernah memodifikasi steker. Jangan menggunakan steker adaptor bersama dengan perkakas listrik yang terhubung dengan sistem grounding.** Steker yang tidak dimodifikasi dan stopkontak yang cocok akan mengurangi risiko sengatan listrik.
- ▶ **Hindari kontak badan dengan permukaan yang terhubung dengan sistem grounding, seperti pipa, radiator, kompor, dan lemari es.** Terdapat peningkatan risiko terjadinya sengatan listrik jika badan Anda terhubung dengan sistem grounding.
- ▶ **Perkakas listrik tidak boleh terpapar hujan atau basah.** Air yang masuk ke dalam perkakas listrik menambah risiko terjadinya sengatan listrik.
- ▶ **Jangan menyalahgunakan kabel. Jangan gunakan kabel untuk membawa, menarik, atau melepas steker perkakas listrik. Jauhkan kabel dari panas, minyak, tepi yang tajam, atau komponen yang bergerak.** Kabel listrik yang rusak atau tersangkut menambah risiko terjadinya sengatan listrik.
- ▶ **Saat mengoperasikan perkakas listrik di luar ruangan, gunakan kabel ekstensi yang sesuai untuk penggunaan di luar ruangan.** Penggunaan kabel yang cocok untuk pemakaian di luar ruangan mengurangi risiko terjadinya sengatan listrik.
- ▶ **Jika perkakas listrik memang harus dioperasikan di tempat yang lembap, gunakan pemutus arus listrik residu (RCD).** Penggunaan RCD akan mengurangi risiko terjadinya sengatan listrik.

Keselamatan personel

- ▶ **Tetap waspada, perhatikan aktivitas yang sedang dikerjakan, dan gunakan akal sehat saat mengoperasikan perkakas listrik. Jangan gunakan perkakas listrik saat mengalami kelelahan atau di bawah pengaruh narkoba, alkohol, atau obat-obatan.** Jika perkakas listrik dioperasikan dengan daya konsentrasi yang rendah, hal tersebut dapat menyebabkan cedera serius.

- ▶ **Gunakan peralatan pelindung diri. Selalu kenakan pelindung mata.** Dengan memakai pakaian dan sarana pelindung, misalnya masker anti debu, sepatu tertutup yang tidak licin, helm pelindung, atau pemalut telinga sesuai dengan pekerjaan yang dilakukan, hal tersebut dapat mengurangi risiko cedera.
- ▶ **Hindari start yang tidak disengaja. Pastikan switch berada di posisi off sebelum perkakas listrik dihubungkan ke sumber daya listrik dan/atau baterai, diangkat, atau dibawa.** Membawa perkakas listrik dengan jari menempel pada tombol atau perkakas listrik dalam keadaan hidup dapat memicu kecelakaan.
- ▶ **Singkirkan kunci penyetel atau kunci pas sebelum menghidupkan perkakas listrik.** Perkakas atau kunci pas yang masih menempel pada komponen perkakas listrik yang berputar dapat menyebabkan cedera.
- ▶ **Jangan melampaui batas. Berdirilah secara mantap dan selalu jaga keseimbangan.** Hal ini akan memberikan kontrol yang lebih baik terhadap perkakas listrik pada situasi yang tak terduga.
- ▶ **Kenakan pakaian dengan wajar. Jangan mengenakan perhiasan atau pakaian yang longgar. Jauhkan rambut, pakaian, dan sarung tangan dari bagian-bagian perkakas yang bergerak.** Pakaian yang longgar, rambut panjang atau perhiasan dapat tersangkut dalam bagian perkakas yang bergerak.
- ▶ **Jika disediakan perangkat untuk sambungan pengisapan debu dan alat pengumpulan, pastikan perangkat tersebut terhubung dan digunakan dengan benar.** Penggunaan alat pengumpulan dapat mengurangi bahaya yang disebabkan oleh debu.

Penggunaan dan pemeliharaan perkakas listrik

- ▶ **Jangan memaksakan perkakas listrik. Gunakan perkakas listrik yang sesuai untuk pekerjaan yang dilakukan.** Perkakas listrik yang sesuai akan bekerja dengan lebih baik dan aman sesuai tujuan penggunaan.
- ▶ **Jangan gunakan perkakas listrik dengan switch yang tidak dapat dioperasikan.** Perkakas listrik yang switchnya tidak berfungsi dapat menimbulkan bahaya dan harus diperbaiki.
- ▶ **Tariklah steker dari stopkontak dan/atau keluarkan baterai sebelum melakukan penyetelan pada perkakas listrik, penggantian aksesoris atau sebelum menyimpan perkakas listrik.** Tindakan keselamatan kerja ini mengurangi risiko perkakas listrik beroperasi secara tiba-tiba.
- ▶ **Jauhkan dan simpan perkakas listrik dari jangkauan anak-anak dan jangan biarkan orang-orang yang tidak mengetahui cara menggunakan perkakas listrik, mengoperasikan perkakas listrik.** Perkakas listrik dapat membahayakan jika digunakan oleh orang-orang yang tidak terlatih.
- ▶ **Rawatlah perkakas listrik. Periksa komponen yang bergerak apabila tidak lurus atau terikat, kerusakan komponen, dan kondisi lain yang dapat mengganggu pengoperasian perkakas listrik. Apabila rusak,**

perbaiki perkakas listrik sebelum digunakan. Banyak kecelakaan terjadi karena perkakas listrik tidak dirawat dengan seksama.

- ▶ **Jaga ketajaman dan kebersihan alat.** Alat pemotong dengan pisau pemotong yang tajam dan dirawat dengan baik tidak akan mudah tersangkut dan lebih mudah dikendalikan.
- ▶ **Gunakan perkakas listrik, aksesoris, dan komponen perkakas dll sesuai dengan petunjuk ini, dengan mempertimbangkan kondisi kerja dan pekerjaan yang akan dilakukan.** Penggunaan perkakas listrik untuk tujuan berbeda dari fungsinya dapat menyebabkan situasi yang berbahaya.

Servis

- ▶ **Minta teknisi berkualifikasi untuk menyervis perkakas listrik dengan hanya menggunakan suku cadang yang identik.** Dengan demikian, hal ini akan memastikan keamanan perkakas listrik.

Petunjuk Keselamatan untuk Gerinda Lurus

Petunjuk Keselamatan umum untuk Mengampelas, Menyikat, atau Memoles

- ▶ **Perkakas listrik ini cocok untuk menggerinda, menyikat dengan kawat, atau memoles. Baca semua peringatan, petunjuk, ilustrasi, dan spesifikasi keselamatan yang diberikan bersama perkakas listrik ini.** Kesalahan dalam mengikuti seluruh instruksi di bawah ini dapat mengakibatkan sengatan listrik, kebakaran dan/atau cedera serius.
- ▶ **Pekerjaan seperti mengampelas atau memotong tidak direkomendasikan untuk dikerjakan dengan perkakas listrik ini.** Penggunaan perkakas listrik yang tidak sesuai dengan tujuan perancangannya dapat menimbulkan bahaya dan menyebabkan risiko cedera terhadap pengguna.
- ▶ **Jangan gunakan aksesoris yang tidak dirancang secara khusus dan dianjurkan oleh produsen perkakas.** Meski aksesoris dapat dipasang pada perkakas listrik, hal ini tidak menjamin keamanan pengoperasian alat.
- ▶ **Ukuran kecepatan aksesoris setidaknya harus sama dengan kecepatan maksimum yang tertera pada perkakas listrik.** Aksesoris yang beroperasi lebih cepat dari ukuran kecepatan yang tertera dapat rusak dan terlepas.
- ▶ **Diameter dan ketebalan luar aksesoris harus dalam kapasitas perkakas listrik.** Aksesoris yang ukurannya salah tidak dapat dikendalikan dan ditanggung keamanannya.
- ▶ **Penopang berulir pada aksesoris harus sesuai dengan ulir poros gerinda. Untuk aksesoris yang dipasang dengan flensa, lubang pengeboran aksesoris harus sesuai dengan diameter posisi flensa.** Aksesoris yang tidak sesuai dengan perangkat keras yang terpasang pada perkakas listrik akan kehilangan keseimbangan, bergetar terlalu keras dan kehilangan kendali.

- ▶ **Jangan gunakan aksesoris yang sudah rusak. Sebelum digunakan, periksa aksesoris, seperti cakram abrasif dari kepingan dan keretakan, bantalan penyangga dari keretakan, keausan atau penggunaan berlebih, sikat kawat yang kendur atau kabel yang retak. Jika perkakas listrik atau aksesoris terjatuh, periksa perkakas dari kerusakan atau pasang aksesoris yang tidak rusak. Setelah memeriksa dan memasang aksesoris, jaga jarak Anda dari bidang aksesoris yang berputar dan jalankan perkakas dengan kecepatan maksimum tanpa beban selama satu menit.** Aksesoris yang rusak biasanya akan hancur saat dilakukan pengujian ini.
- ▶ **Kenakan alat pelindung. Tergantung pada pemakaian, gunakan pelindung wajah, kaca mata pelindung, atau kaca mata keamanan. Kenakan masker debu, pelindung pendengaran, sarung tangan dan pakaian kerja yang mampu melindungi dari material kecil atau kepingan benda kerja.** Pelindung mata harus mampu melindungi dari puing-puing yang terbang selama pemakaian. Masker debu atau respirator harus mampu menyaring partikel yang dihasilkan saat pemakaian perkakas. Pemakaian terlalu lama hingga menimbulkan kebisingan yang sangat tinggi dapat menimbulkan kehilangan pendengaran.
- ▶ **Hendaklah pengamat memberi jarak aman dengan area kerja. Siapa saja yang memasuki area kerja harus memakai alat pelindung.** Bagian dari alat kerja atau aksesoris yang rusak dapat terlempar dan menyebabkan cedera di luar area langsung pengoperasian.
- ▶ **Pegang perkakas listrik pada permukaan gagang isolator saat digunakan, karena aksesoris pemotong dapat saja bersentuhan dengan kabel yang tidak terlihat atau kabelnya sendiri.** Aksesoris pemotong yang bersentuhan dengan kabel yang dialiri listrik dapat menyebabkan bagian logam perkakas listrik yang terbuka dialiri listrik sehingga berisiko mengakibatkan sengatan listrik pada operator.
- ▶ **Jauhkan kabel dari aksesoris yang berputar.** Jika Anda kehilangan kendali, kabel dapat terpotong atau tersangkut dan tangan atau lengan anda dapat tertarik ke dalam aksesoris yang sedang berputar.
- ▶ **Jangan pernah letakkan perkakas listrik sebelum aksesoris telah berhenti sepenuhnya.** Aksesoris yang berputar dapat menabrak permukaan dan perkakas lepas dari kendali Anda.
- ▶ **Jangan menghidupkan perkakas listrik dengan membawanya ke samping Anda.** Kontak tidak sengaja dengan aksesoris yang berputar dapat merobek pakaian, menarik aksesoris ke tubuh Anda.
- ▶ **Bersihkan ventilasi udara pada perkakas listrik secara berkala.** Kipas motor akan menyerap debu ke dalam housing dan serbuk logam yang terlalu banyak terkumpul dapat menyebabkan bahaya listrik.
- ▶ **Jangan gunakan perkakas listrik ini berdekatan dengan material yang mudah terbakar.** Percikan api dapat membakar material-material tersebut.

- ▶ **Jangan gunakan aksesoris yang memakai pendingin cair.** Menggunakan air atau pendingin cair lainnya dapat menyebabkan sengatan atau kejutan listrik.

Sentakan dan Peringatan Terkait

Sentakan merupakan reaksi tiba-tiba pada cakram yang berputar, terjepit atau tersangkut, bantalan penyokong, sikat atau aksesoris lainnya. Cakram yang terjepit atau tersangkut menyebabkan aksesoris yang berputar akan berhenti mendadak dan menyebabkan perkakas yang tak terkendali berputar ke arah sebaliknya dari putaran aksesoris pada titik belitan.

Sebagai contoh, jika sebuah cakram abrasif tersangkut atau terjepit benda kerja, tepi cakram yang masuk ke titik jepit dapat masuk ke dalam permukaan material yang menyebabkan cakram naik atau terlempar ke luar. Cakram dapat terlempar menjauh maupun ke arah operator, bergantung pada arah gerakan cakram pada titik jepitan. Cakram abrasif juga dapat rusak karena hal-hal ini. Sentakan merupakan akibat dari penggunaan yang salah dari perkakas listrik ini dan/atau prosedur atau syarat pengoperasian atau syarat-syarat penggunaan yang tidak tepat, namun dapat dihindari dengan melakukan tindakan pencegahan yang tepat seperti yang diberikan di bawah ini.

- ▶ **Pegang gagang perkakas listrik dan posisikan tubuh dan lengan Anda agar dapat menahan daya sentakan.** Jika disediakan, selalu gunakan handle tambahan sebagai kendali maksimum melawan sentakan atau efek torsi saat menghidupkan. Operator dapat mengendalikan efek torsi atau gaya sentakan bila melakukan tindakan pencegahan.

- ▶ **Jauhkan tangan Anda dari aksesoris yang berputar.** Aksesoris dapat memberikan sentakan terhadap tangan Anda.
- ▶ **Jangan berdiri di tempat perkakas bergerak saat terjadi sentakan.** Sentakan akan bergerak ke arah berlawanan dari gerakan cakram pada titik sangkut.
- ▶ **Lakukan dengan hati-hati saat bekerja untuk bagian sudut, tepi yang tajam, dll. Hindarkan aksesoris dari risiko terlempar atau tersangkut.** Bagian sudut, tepi yang tajam atau melingkar berpotensi membuat aksesoris yang berputar tersangkut dan menimbulkan hilangnya kendali atau sentakan.

- ▶ **Jangan pasang pisau pengukir kayu atau gergaji bergigi.** Jenis pisau tersebut dapat menimbulkan sentakan dan kehilangan kendali.

Petunjuk Keselamatan khusus untuk Menggerinda

- ▶ **Hanya gunakan jenis cakram yang dianjurkan untuk perkakas listrik Anda dan pelindung khusus yang dirancang untuk cakram yang dipilih.** Cakram yang tidak dirancang untuk perkakas listrik, tidak dapat dijamin keamanan dan keselamatannya.
- ▶ **Permukaan gerinda dari cakram dengan bagian tengah ditekan harus dipasang di bawah pengetam mulut pelindung.** Pemasangan cakram yang salah yang mendorong ke pengetam pada mulut pelindung tidak dapat terlindungi dengan baik.

- ▶ **Cakram harus digunakan sesuai dengan pemakaian yang dianjurkan. Misalnya: jangan menggerinda dengan sisi cakram pemotong.** Cakram pemotong abrasif digunakan untuk menggerinda bagian tepi, gaya di sisi cakram dapat menyebabkan cakram pecah.
- ▶ **Selalu gunakan flensa cakram yang tidak rusak dengan ukuran dan bentuk yang sesuai untuk cakram yang dipilih.** Flensa cakram yang tepat akan membantu cakram mengurangi kemungkinan kerusakan cakram. Flensa untuk cakram pemotong dapat berbeda dengan flensa cakram gerinda.
- ▶ **Jangan gunakan cakram yang telah usang dari perkakas listrik yang lebih besar.** Cakram untuk perkakas listrik yang lebih besar tidak cocok untuk perkakas yang lebih kecil dengan kecepatan lebih tinggi dan dapat menimbulkan ledakan.

Petunjuk Keselamatan khusus untuk Pemolesan

- ▶ **Hindari adanya bagian kap mesin atau tali alat tambahan yang kendur berputar dengan bebas. Jauhkan atau potong tali dari alat tambahan yang kendur.** Tali alat tambahan yang kendur atau berputar dapat menjerat jari Anda atau menyangkut pada benda kerja.

Petunjuk Keselamatan khusus untuk Menyikat

- ▶ **Hati-hati bulu kawat terlempar oleh sikat meski saat pemakaian biasa. Jangan terlalu membebani kawat dengan memberi beban yang berlebihan pada sikat.** Kawat dapat menembus kain atau/dan kulit dengan mudah.
- ▶ **Jika penggunaan pelindung dianjurkan untuk menyikat, jangan biarkan cakram atau sikat kawat terganggu karena pemakaian pelindung.** Diameter cakram atau sikat kawat dapat mengembang akibat beban kerja dan gaya sentrifugal.

Petunjuk Keselamatan tambahan

Pakailah kaca mata pelindung.



- ▶ **Gunakanlah alat detektor logam yang cocok untuk mencari kabel dan pipa yang tidak terlihat atau hubungi perusahaan pengadaan setempat.** Sentuhan dengan kabel-kabel listrik dapat mengakibatkan api dan kontak listrik. Pipa gas yang rusak dapat mengakibatkan ledakan. Pipa air yang dirusak mengakibatkan kerusakan barang-barang atau dapat mengakibatkan kontak listrik.
- ▶ **Buka penguncian switch on/off dan switch ke posisi off ketika suplai daya terputus, misalnya akibat listrik mati atau steker ditarik dari stopkontak.** Dengan demikian, perkakas listrik tidak hidup kembali secara tidak terkendali.
- ▶ **Jangan menyentuh cakram gerinda sebelum cakram menjadi dingin.** Piringan-piringan ini menjadi sangat panas selama penggunaannya.

- **Gunakan alat kerja dengan aman.** Benda yang ditahan dalam alat pemegang atau bais lebih aman daripada benda yang dipegang dengan tangan.

Spesifikasi produk dan performa



Bacalah semua petunjuk keselamatan dan petunjuk penggunaan. Kesalahan dalam menjalankan petunjuk keselamatan dan petunjuk penggunaan dapat mengakibatkan kontak listrik, kebakaran, dan/atau luka-luka yang berat.

Perhatikan ilustrasi yang terdapat pada sisi sampul panduan pengoperasian.

Tujuan penggunaan

Perkakas listrik ini cocok untuk menggerinda dan meratakan tepian bahan logam dengan menggunakan mata gerinda korundum serta untuk pekerjaan dengan perkakas pita gerinda.

Perkakas listrik ini cocok untuk pekerjaan menggosok dan memoles permukaan logam.

Ilustrasi komponen

Penomoran ilustrasi komponen mengacu pada gambar perkakas listrik pada halaman grafis.

- (1) Collet chuck
- (2) Mur penjepit
- (3) Spindel gerinda
- (4) Leher spindel (permukaan genggam berisolator)
- (5) Tombol on/off (GGS 30 LS/GGS 30 S)
- (6) Roda penyetel untuk pemilihan awal kecepatan putaran
- (7) Gagang (permukaan genggam berisolator)
- (8) Kunci pas pada spindel gerinda^{a)}
- (9) Kunci pas pada mur penjepit^{a)}
- (10) Dimensi shank tipis L₀
- (11) Tombol on/off (GGS 30 LPS)
- (12) Kunci pengaktifan untuk tombol on/off (GGS 30 LPS)
- (13) Penguncian spindel

a) **Aksesori ini tidak termasuk dalam lingkup pengiriman standar.**

Data teknis

Mesin gerinda lurus		GGS 30 LS	GGS 30 LPS	GGS 30 S
Nomor barang		3 601 BB5 0..	3 601 BB5 2..	3 601 BB5 1..
Input daya nominal	W	750	750	750
Daya output	W	400	400	400
Kecepatan nominal	min ⁻¹	33000	33000	33000
Rentang pengaturan kecepatan putaran	min ⁻¹	7000–33000	7000–33000	7000–33000
Diameter collet chuck maks.	mm	8	8	8
Kunci pas pipih pada				
– Mur penjepit	mm	17	17	17
– Spindel gerinda	mm	15	15	15
Diameter leher spindel	mm	43	43	43
Diameter mata gerinda maks.	mm	50	50	45
Dimensi shank tipis L ₀ maks.	mm	10	10	10
Panjang batang pemasangan maks.	mm	35	35	35
Kontrol elektronik konstan		●	●	●
Pemilihan awal kecepatan putaran		●	●	●
Kickback stop (pengaman terhadap bantingan)		●	●	●
Perlindungan terhadap start ulang		●	●	●
Start halus		●	●	●
Berat ^{A)}	kg	1,7	1,8	1,5
Tingkat perlindungan		□/II	□/II	□/II

A) Berat tanpa kabel sambungan listrik dan tanpa steker listrik

Data-data berlaku untuk tegangan nominal [U] 230 V. Pada tegangan yang lebih rendah dan pada model khusus mancanegara data-data ini bisa berlainan.

Nilai dapat berbeda-beda bergantung pada produk dan mungkin tunduk pada kondisi lingkungan serta penggunaan. Informasi lebih lanjut pada www.bosch-professional.com/wac.

Pemasangan

- ▶ **Sebelum mulai dengan pekerjaan pada perkakas listrik, tariklah steker dari stopkontak.**

Memasang alat gerinda dengan kunci pas dan menggunakan pengunci spindel (lihat gambar A)

- ▶ **Hanya gunakan kunci pas yang sesuai dan dalam kondisi baik (lihat "Data Teknis").**
 - Bersihkan spindel gerinda (3) dan semua komponen yang akan dipasang.
 - Tekan pengunci spindel (13) dan putar mur penjepit (2) secara manual hingga benar-benar terkunci.
 - Tekan dan tahan pengunci spindel lalu kendurkan mur penjepit (2) dengan kunci pas (9) dengan cara diputar berlawanan arah jarum jam.
 - Masukkan batang penjepit mata gerinda hingga maksimal ke dalam collet chuck (1).
 - Tekan pengunci spindel (13) dan kencangkan alat sisipan pada permukaan kunci menggunakan kunci pas (9) dengan cara diputar searah jarum jam.

Mata gerinda harus dapat berputar secara sempurna. Ganti dan jangan gunakan mata gerinda yang tidak bulat.

- ▶ **Jangan pernah mengencangkan collet chuck dengan mur penjepit saat tidak terdapat mata gerinda yang terpasang.** Jika tidak, collet chuck dapat menjadi rusak.
- ▶ **Hanya gunakan pin gerinda dengan diameter shank yang sesuai.** Pin gerinda dengan diameter shank yang tidak sesuai dengan dudukan alat perkakas listrik (lihat "Data Teknis") tidak dapat ditahan dengan benar dan dapat merusak collet chuck.
- ▶ **Alat sisipan harus dikencangkan setidaknya 10 mm.** Untuk dimensi shank tipis L_0 , kecepatan putar maksimal yang diperbolehkan dari alat sisipan dapat ditentukan berdasarkan informasi yang diberikan oleh produsen alat sisipan. Kecepatan tersebut tidak boleh kurang dari kecepatan putar maksimal dari alat sisipan.

Memasang alat gerinda dengan dua kunci pas (lihat gambar B)

- ▶ **Hanya gunakan kunci pas yang sesuai dan dalam kondisi baik (lihat "Data Teknis").**
 - Bersihkan spindel gerinda (3) dan semua komponen yang akan dipasang.
 - Tahan spindel gerinda (3) dengan kunci pas (8) pada permukaan kunci. Kendurkan mur penjepit (2) dengan kunci pas (9) pada permukaan kunci dengan memutarnya berlawanan arah jarum jam.
 - Masukkan batang penjepit mata gerinda hingga maksimal ke dalam collet chuck (1).
 - Tahan spindel gerinda (3) dengan kunci pas (8) dan kencangkan alat sisipan dengan kunci pas (9) pada permukaan kunci dengan memutarnya searah jarum jam.

Mata gerinda harus dapat berputar secara sempurna. Ganti dan jangan gunakan mata gerinda yang tidak bulat.

- ▶ **Jangan pernah mengencangkan collet chuck dengan mur penjepit saat tidak terdapat mata gerinda yang terpasang.** Jika tidak, collet chuck dapat menjadi rusak.
- ▶ **Hanya gunakan pin gerinda dengan diameter shank yang sesuai.** Pin gerinda dengan diameter shank yang tidak sesuai dengan dudukan alat perkakas listrik (lihat "Data Teknis") tidak dapat ditahan dengan benar dan dapat merusak collet chuck.
- ▶ **Alat sisipan harus dikencangkan setidaknya 10 mm.** Untuk dimensi shank tipis L_0 , kecepatan putar maksimal yang diperbolehkan dari alat sisipan dapat ditentukan berdasarkan informasi yang diberikan oleh produsen alat sisipan. Kecepatan tersebut tidak boleh kurang dari kecepatan putar maksimal dari alat sisipan.

Pengisapan debu/serbuk

Debu dari bahan-bahan seperti cat yang mengandung timbel (timah hitam), beberapa jenis kayu, bahan mineral dan logam dapat berbahaya bagi kesehatan. Menyentuh atau menghirup debu-debu ini dapat mengakibatkan reaksi alergi dan/atau penyakit saluran pernapasan pada pengguna atau orang yang berada di dekatnya.

Beberapa debu tertentu seperti debu kayu pohon quercus atau pohon fagus silvatica dianggap dapat mengakibatkan penyakit kanker, terutama dalam campuran dengan bahan-bahan tambahan untuk pengolahan kayu (kromat, obat pengawet kayu). Bahan-bahan yang mengandung asbes hanya boleh dikerjakan oleh orang-orang yang ahli.

- Perhatikanlah supaya ada pertukaran udara yang baik di tempat kerja.
- Kami anjurkan Anda memakai masker anti debu dengan filter kelas P2.

Taatilah peraturan-peraturan untuk bahan-bahan yang dikerjakan yang berlaku di negara Anda.

- ▶ **Hindari debu yang banyak terkumpul di tempat kerja.** Debu dapat tersulut dengan mudah.

Pengoperasian

Pengoperasian

- ▶ **Perhatikan tegangan jaringan listrik!** Tegangan jaringan listrik harus sesuai dengan tegangan listrik yang tercantum pada label tipe perkakas listrik.
- ▶ **Setiap sebelum digunakan, periksa apakah collet chuck (1) dan mur penjepit (2) tidak terlihat rusak.**

Menghidupkan/mematikan

GG3 30 LS/GG3 30 S

Geser ke depan tombol on/off (5) untuk **mengoperasikan** perkakas listrik.

Untuk **mengunci** tombol on/off (5), tekan tombol on/off (5) depan ke bawah hingga terkunci.

Untuk **mematikan** perkakas listrik, lepaskan tombol on/off (5) atau jika tombol on/off terkunci, tekan singkat tombol on/off (5) belakang ke bawah dan lepaskan.

Menghidupkan/mematikan

GGG 30 LPS

Untuk **pengoperasian awal** perkakas listrik, geser **terlebih dahulu** tombol pengaktifan **(12)** ke belakang dan **kemudian** tekan tombol on/off **(11)** dan tahan tombol.

Untuk **mematikan** perkakas listrik, lepaskan tombol on/off **(11)**.

Kontrol elektronik konstan

Kontrol elektronik konstan membuat supaya kecepatan putaran tanpa beban dan sewaktu dibebani hampir selalu konstan dan menjamin hasil kerja yang rata.

Pemilihan awal kecepatan putaran

Kecepatan putaran yang diperlukan juga dapat dipilih terlebih dulu saat pengoperasian dengan roda penyatel untuk pemilihan awal kecepatan putaran **(6)**.

Kecepatan putaran yang diperlukan bergantung pada benda kerja dan diameter alat sisipan. Patuhi kecepatan putaran maksimal yang diizinkan pada alat sisipan.

GGG 30 LS/GGS 30 LPS

Pada kecepatan putaran maksimal, diameter aksesoris maksimal yang diperbolehkan adalah 40 mm.

GGG 30 S

Pada kecepatan putaran maksimal, diameter aksesoris maksimal yang diperbolehkan adalah 45 mm.

Saat menggunakan aksesoris dengan diameter sebesar 50 mm, pastikan kecepatan putaran tidak lebih dari 30000 min⁻¹.

Posisi roda penyatel	Kecepatan putaran idle (min ⁻¹)
1	7000
2	9500
3	15000
4	19000
5	25000
6	33000

Kickback stop (pengaman terhadap bantingan)



Saat terjadi kickback pada perkakas listrik secara tiba-tiba, misalnya terhentinya proses frais, suplai daya ke mesin akan dihentikan secara elektronik.

Untuk **mengoperasikan kembali** perkakas, atur tombol on/off **(5)/(11)** ke posisi off dan hidupkan kembali perkakas listrik.

Perlindungan terhadap start ulang

Perlindungan terhadap start ulang mencegah perkakas listrik beroperasi kembali secara tidak terkendali setelah suplai daya listrik terputus.

Untuk **mengoperasikan kembali** perkakas, atur tombol on/off **(5)/(11)** ke posisi off dan hidupkan kembali perkakas listrik.

Catatan: Saat perkakas listrik dimatikan dan dihidupkan kembali dengan sangat cepat, perlindungan terhadap start

ulang akan terpicu dan perkakas listrik tidak dapat beroperasi meskipun tombol on/off **(5)/(11)** sudah ditekan. Atur tombol on/off **(5)/(11)** ke posisi off dan hidupkan kembali perkakas listrik.

Start halus

Start halus elektronik akan membatasi torsi saat perkakas dinyalakan dan meningkatkan masa pakai mesin.

Petunjuk pengoperasian

- ▶ **Sebelum mulai dengan pekerjaan pada perkakas listrik, tariklah steker dari stopkontak.**
- ▶ **Simpan alat gerinda dan lindungi dari benturan.**
- ▶ **Jangan membebani perkakas listrik terlalu berat sehingga perkakas berhenti.**
- ▶ **Setelah pembebanan yang berat, biarkan perkakas listrik beroperasi tanpa beban selama beberapa menit untuk mendinginkan aksesoris yang digunakan.**
- ▶ **Mata gerinda menjadi sangat panas selama digunakan. Jangan menyentuh mata gerinda sebelum mata gerinda menjadi dingin.**

Gerakkan mata gerinda dengan sedikit ditekan untuk mendapatkan hasil yang optimal. Menekan dengan terlalu kuat akan mengurangi performa perkakas listrik dan membuat mata gerinda lebih cepat aus.

Perawatan dan servis

Perawatan dan pembersihan

- ▶ **Sebelum mulai dengan pekerjaan pada perkakas listrik, tariklah steker dari stopkontak.**
- ▶ **Perkakas listrik dan lubang ventilasi harus selalu dibersihkan agar perkakas dapat digunakan dengan baik dan aman.**
- ▶ **Bila memungkinkan, selalu gunakan sistem ekstraksi udara dalam kondisi pengoperasian yang ekstrem. Tiuplah dengan rutin lubang ventilasi dan hidupkan pemutus arus (PRCD).** Saat pengerjaan bahan logam, debu konduktif dapat mengendap di dalam perkakas listrik. Isolasi keamanan dari perkakas listrik dapat terganggu.

Simpan dan tangani aksesoris secara cermat.

Jika kabel listrik harus diganti, pekerjaan ini harus dilakukan oleh **Bosch** atau Service Center untuk perkakas listrik **Bosch** resmi agar keselamatan kerja selalu terjamin.

Layanan pelanggan dan konsultasi penggunaan

Layanan pelanggan Bosch menjawab semua pertanyaan Anda tentang reparasi dan perawatan serta tentang suku cadang produk ini. Gambaran teknis (exploded view) dan informasi mengenai suku cadang dapat ditemukan di: **www.bosch-pt.com**

Tim konsultasi penggunaan Bosch akan membantu Anda menjawab pertanyaan seputar produk kami beserta aksesorinya.

Jika Anda hendak menanyakan sesuatu atau memesan suku cadang, selalu sebutkan nomor model yang terdiri dari 10 angka dan tercantum pada label tipe produk.

Indonesia

PT Robert Bosch Indonesia
Arkadia Green Park Tower G – 7th floor
Jl. Let. Jend. TB. Simatupang Kav.88
Jakarta 12520
Tel.: (021) 3005 5800
Fax: (021) 3005 5801
E-Mail: boschpowertools@id.bosch.com
www.bosch-pt.co.id

Alamat layanan lainnya dapat ditemukan di:

www.bosch-pt.com/serviceaddresses

Cara membuang

Perkakas listrik, aksesoris, dan kemasan sebaiknya didaur ulang secara ramah lingkungan.



Jangan membuang perkakas listrik ke dalam tempat sampah rumah tangga!

Tiếng Việt

Hướng dẫn an toàn

Cảnh báo Tổng quát Cách sử dụng An toàn Dụng cụ điện Cầm tay

⚠ CẢNH BÁO Đọc kỹ mọi cảnh báo an toàn và hướng dẫn. Không tuân thủ mọi cảnh báo và hướng dẫn được liệt kê dưới đây có thể bị điện giật, gây cháy và / hay bị thương tật nghiêm trọng.

Hãy giữ tất cả tài liệu về cảnh báo và hướng dẫn để tham khảo về sau.

Thuật ngữ "dụng cụ điện cầm tay" trong phần cảnh báo là để cập đến sự sử dụng dụng cụ điện cầm tay của bạn, loại sử dụng điện nguồn (có dây cắm điện) hay vận hành bằng pin (không dây cắm điện).

Khu vực làm việc an toàn

- ▶ **Giữ nơi làm việc sạch và đủ ánh sáng.** Nơi làm việc bừa bộn và tối tăm dễ gây ra tai nạn.
- ▶ **Không vận hành dụng cụ điện cầm tay trong môi trường dễ gây nổ, chẳng hạn như nơi có chất lỏng dễ cháy, khí đốt hay rác.** Dụng cụ điện cầm tay tạo ra các tia lửa nên có thể làm rác bén cháy hay bốc khói.
- ▶ **Không để trẻ em hay người đến xem đứng gần khi vận hành dụng cụ điện cầm tay.** Sự phân tâm có thể gây ra sự mất điều khiển.

An toàn về điện

- ▶ **Phích cắm của dụng cụ điện cầm tay phải thích hợp với ổ cắm.** Không bao giờ được cải biến lại phích cắm dưới mọi hình thức. Không được sử dụng phích tiếp hợp nối tiếp đất (dây mát). Phích cắm nguyên bản và ổ cắm đúng loại sẽ làm giảm nguy cơ bị điện giật.
- ▶ **Tránh không để thân thể tiếp xúc với đất hay các vật có bề mặt tiếp đất như đường ống, lò sưởi, hàng rào và tủ lạnh.** Có nhiều nguy cơ bị điện giật hơn nếu cơ thể bạn bị tiếp hay nối đất.
- ▶ **Không được để dụng cụ điện cầm tay ngoài mưa hay ở tình trạng ẩm ướt.** Nước vào máy sẽ làm tăng nguy cơ bị điện giật.
- ▶ **Không được lạm dụng dây dẫn điện.** Không bao giờ được nắm dây dẫn để xách, kéo hay rút phích cắm dụng cụ điện cầm tay. Không để dây gần nơi có nhiệt độ cao, dầu nhớt, vật nhọn bén và bộ phận chuyển động. Làm hỏng hay cuộn rối dây dẫn làm tăng nguy cơ bị điện giật.
- ▶ **Khi sử dụng dụng cụ điện cầm tay ngoài trời, dùng dây nối thích hợp cho việc sử dụng ngoài trời.** Sử dụng dây nối thích hợp cho việc sử dụng ngoài trời làm giảm nguy cơ bị điện giật.
- ▶ **Nếu việc sử dụng dụng cụ điện cầm tay ở nơi ẩm ướt là không thể tránh được, dùng thiết bị ngắt mạch tự động (RCD) bảo vệ nguồn.** Sử dụng thiết bị ngắt mạch tự động RCD làm giảm nguy cơ bị điện giật.

An toàn cá nhân

- ▶ **Hãy tỉnh táo, biết rõ mình đang làm gì và hãy sử dụng ý thức khi vận hành dụng cụ điện cầm tay.** Không sử dụng dụng cụ điện cầm tay khi đang mệt mỏi hay đang bị tác động do chất gây nghiện, rượu hay dược phẩm gây ra. Một thoáng mất tập trung khi đang vận hành dụng cụ điện cầm tay có thể gây thương tích nghiêm trọng cho bản thân.
- ▶ **Sử dụng trang bị bảo hộ cá nhân.** Luôn luôn đeo kính bảo vệ mắt. Trang bị bảo hộ như khẩu trang, giày chống trượt, nón bảo hộ, hay dụng cụ bảo vệ tai khi được sử dụng đúng nơi đúng chỗ sẽ làm giảm nguy cơ thương tật cho bản thân.
- ▶ **Phòng tránh máy khởi động bất ngờ.** Bảo đảm công tắc máy ở vị trí tắt trước khi cắm vào nguồn điện và/hay lắp pin vào, khi nhắc máy lên hay khi mang xách máy. Ngáng ngón tay vào công tắc máy để xách hay kích hoạt dụng cụ điện cầm tay khi công tắc ở vị trí mở dễ dẫn đến tai nạn.
- ▶ **Lấy mọi chìa hay khóa điều chỉnh ra trước khi mở điện dụng cụ điện cầm tay.** Khóa hay chìa còn gắn dính vào bộ phận quay của dụng cụ điện cầm tay có thể gây thương tích cho bản thân.

- ▶ **Không rướn người. Luôn luôn giữ tư thế đứng thích hợp và thẳng bằng.** Điều này tạo cho việc điều khiển dụng cụ điện cầm tay tốt hơn trong mọi tình huống bất ngờ.
- ▶ **Trang phục thích hợp. Không mặc quần áo rộng lung tung hay mang trang sức. Giữ tóc, quần áo và găng tay xa khỏi các bộ phận chuyển động.** Quần áo rộng lung tung, đồ trang sức hay tóc dài có thể bị cuốn vào các bộ phận chuyển động.
- ▶ **Nếu có các thiết bị đi kèm để nối máy hút bụi và các phụ kiện khác, bảo đảm các thiết bị này được nối và sử dụng tốt.** Việc sử dụng các thiết bị gom hút bụi có thể làm giảm các độc hại liên quan đến bụi gây ra.

Sử dụng và bảo dưỡng dụng cụ điện cầm tay

- ▶ **Không được ép máy. Sử dụng dụng cụ điện cầm tay đúng loại theo đúng ứng dụng của bạn.** Dụng cụ điện cầm tay được thiết kế để làm việc tốt và an toàn hơn theo đúng tiến độ mà máy được thiết kế.
- ▶ **Không sử dụng dụng cụ điện cầm tay nếu như công tắc không tắt và mở được.** Bất kỳ dụng cụ điện cầm tay nào mà không thể điều khiển được bằng công tắc là nguy hiểm và phải được sửa chữa.
- ▶ **Rút phích cắm ra khỏi nguồn điện và/hay pin ra khỏi dụng cụ điện cầm tay trước khi tiến hành bất kỳ điều chỉnh nào, thay phụ kiện, hay cất dụng cụ điện cầm tay.** Các biện pháp ngăn ngừa như vậy làm giảm nguy cơ dụng cụ điện cầm tay khởi động bất ngờ.
- ▶ **Cất giữ dụng cụ điện cầm tay không dùng tới nơi trẻ em không lấy được và không cho người chưa từng biết dụng cụ điện cầm tay hay các hướng dẫn này sử dụng dụng cụ điện cầm tay.** Dụng cụ điện cầm tay nguy hiểm khi ở trong tay người chưa được chỉ cách sử dụng.
- ▶ **Bảo quản dụng cụ điện cầm tay. Kiểm tra xem các bộ phận chuyển động có bị sai lệch hay kẹt, các bộ phận bị rạn nứt và các tình trạng khác có thể ảnh hưởng đến sự vận hành của máy. Nếu bị hư hỏng, phải sửa chữa máy trước khi sử dụng.** Nhiều tai nạn xảy ra do bảo quản dụng cụ điện cầm tay tồi.
- ▶ **Giữ các dụng cụ cất bên và sạch.** Bảo quản đúng cách các dụng cụ cất có cạnh cất bên làm giảm khả năng bị kẹt và dễ điều khiển hơn.
- ▶ **Sử dụng dụng cụ điện cầm tay, phụ kiện, đầu cài v. v., đúng theo các chỉ dẫn này, hãy lưu ý đến điều kiện làm việc và công việc phải thực hiện.** Sự sử dụng dụng cụ điện cầm tay khác với mục đích thiết kế có thể tạo nên tình huống nguy hiểm.

Bảo dưỡng

- ▶ **Đưa dụng cụ điện cầm tay của bạn đến thợ chuyên môn để bảo dưỡng, chỉ sử dụng phụ tùng đúng chủng loại để thay.** Điều này sẽ đảm bảo sự an toàn của máy được giữ nguyên.

Cảnh Báo An Toàn cho các loại Máy Mài Thẳng

Cảnh báo an toàn chung cho Mài, Chải hoặc Đánh bóng

- ▶ **Dụng cụ điện cầm tay này có chức năng như một máy mài, bàn chải đánh bóng bằng kim loại hoặc máy đánh bóng. Hãy đọc toàn bộ các cảnh báo an toàn, hướng dẫn, hình ảnh và thông số kỹ thuật được cung cấp cho dụng cụ điện cầm tay này.** Việc không tuân thủ toàn bộ hướng dẫn được liệt kê dưới đây có thể dẫn đến bị điện giật, gây cháy và/hoặc bị thương tích nghiêm trọng.
- ▶ **Không nên thực hiện các thao tác như mài hoặc cắt bằng dụng cụ điện cầm tay này.** Các hoạt động không được thiết kế cho dụng cụ điện cầm tay này có thể gây nguy hiểm hoặc gây thương tích cho cá nhân.
- ▶ **Không được sử dụng các phụ kiện không được thiết kế riêng và khuyến dùng bởi nhà sản xuất dụng cụ.** Bởi vì phụ kiện có thể gắn được với dụng cụ điện cầm tay của bạn, nhưng nó không đảm bảo hoạt động an toàn.
- ▶ **Tốc độ định mức của phụ kiện tối thiểu phải bằng tốc độ tối đa được ghi trên dụng cụ điện cầm tay.** Các phụ kiện chạy nhanh hơn tốc độ định mức của chúng có thể bị vỡ và văng ra.
- ▶ **Đường kính ngoài và độ dày của phụ kiện phải nằm trong định mức công suất của dụng cụ điện cầm tay của bạn.** Không thể bảo vệ hoặc kiểm soát phù hợp các phụ kiện sai kích cỡ.
- ▶ **Lắp ghép ta lông của các phụ kiện phải khớp với đầu ren trục chính của máy mài. Đối với các phụ kiện được lắp ghép bằng các bích, lỗ tâm của phụ kiện phải khít với đường kính định vị của bích.** Các phụ kiện không khớp với các phụ kiện cứng ghép nối của dụng cụ điện cầm tay sẽ làm mất cân bằng, rung lắc quá mức và có thể làm mất kiểm soát.
- ▶ **Không được sử dụng phụ kiện bị hư hỏng. Trước mỗi lần sử dụng, cần kiểm tra kỹ các vết nứt và rạn của đĩa mài, các vết rạn nứt, mòn hoặc mài mòn quá mức của tấm đệm, các đầu kim loại bị lỏng hoặc bị nứt của bàn chải kim loại.** Nếu làm rơi dụng cụ điện cầm tay hoặc phụ kiện, cần kiểm tra hư hỏng hoặc thay thế bằng phụ kiện không bị hư hỏng. Sau khi kiểm tra và thay thế phụ kiện, bạn và người xung quanh đứng phải tránh

hướng lưỡi bào của các phụ kiện xoay và khởi động dụng cụ điện ở tốc độ không tải tối đa trong vòng một phút. Các phụ kiện bị hư hỏng thường bị vỡ rời trong quá trình chạy thử này.

- ▶ **Mặc thiết bị bảo hộ cá nhân. Tùy thuộc vào từng công việc, hãy sử dụng mặt nạ, kính bảo vệ hoặc kính an toàn. Nếu có, hãy đeo mặt nạ chống bụi, dụng cụ bảo vệ tai, găng tay và tạp dề lao động có thể ngăn chặn mài nhỏ hoặc các mảnh vụn của phôi.** Dụng cụ bảo vệ mắt phải có khả năng ngăn chặn mảnh vỡ bắn ra do các thao tác khác nhau sinh ra. Mặt nạ chống bụi hoặc mặt nạ chống độc phải có khả năng lọc các tạp chất do thao tác của bạn sinh ra. Việc tiếp xúc lâu với tiếng ồn quá cao có thể làm giảm thính giác.
- ▶ **Hãy cách ly người xung quanh tránh xa khu vực làm việc một khoảng cách an toàn. Bất kỳ ai đi vào khu vực làm việc phải mặc thiết bị bảo hộ cá nhân.** Các mảnh vỡ của phôi hoặc của phụ kiện bị vỡ có thể văng ra ngoài khỏi khu vực làm việc và có thể gây tổn thương.
- ▶ **Chỉ cắm dụng cụ điện tại các bề mặt cắm nắm có cách điện, khi thực hiện một thao tác tại vị trí mà phụ kiện cắt có thể tiếp xúc với dây điện ngầm hoặc chính dây điện của thiết bị.** Phụ kiện cắt tiếp xúc với dây có điện có thể làm cho các phần kim loại hở của dụng cụ điện cầm tay có điện và có thể gây ra điện giật cho người vận hành.
- ▶ **Để dây điện tránh xa phần phụ kiện quay.** Nếu bạn mất kiểm soát, dây điện có thể bị đứt hoặc mài mòn và bàn tay hoặc tay của bạn có thể bị kéo vào phần phụ kiện quay.
- ▶ **Tuyệt đối không để dụng cụ điện cầm tay xuống đất cho tới khi phần quay của thiết bị đã dừng hẳn.** Phần phụ kiện quay có thể ngoạm bề mặt và kéo dụng cụ điện cầm tay khỏi tầm kiểm soát.
- ▶ **Không được vận hành dụng cụ điện cầm tay trong khi đang đeo nó trên người.** Việc vô tình tiếp xúc với phần phụ kiện quay có thể ngoạm quần áo của bạn, kéo phụ kiện về phía của bạn.
- ▶ **Thường xuyên vệ sinh các lỗ thông khí của dụng cụ điện cầm tay.** Quạt của mô tơ sẽ hút bụi bẩn vào trong vỏ ngoài và việc tích tụ quá mức mảnh kim loại có thể gây ra các rủi ro điện giật.
- ▶ **Không được vận hành dụng cụ điện cầm tay gần các vật liệu dễ cháy.** Các tia lửa có thể đốt cháy các vật liệu đó.
- ▶ **Không được sử dụng các phụ kiện cần sử dụng các dung dịch làm nguội.** Việc sử dụng nước hoặc các dung dịch làm nguội khác có thể gây ra điện giật.

Lực phản hồi và các Cảnh báo Liên quan

Lực phản hồi là một lực tác động đột ngột lên đĩa quay, tấm đệm, bàn chải hoặc bất kỳ phụ kiện nào khác bị ép hoặc mài mòn. Việc ép hoặc mài mòn làm cho phần phụ kiện quay dừng gấp sau đó gây ra tác động mạnh vào thiết bị điện cầm tay không kiểm soát được theo hướng ngược với hướng quay của phụ kiện tại điểm liên kết.

Ví dụ, nếu đĩa mài bị mài mòn hoặc ép bởi phôi gia công, mép của đĩa mài tiếp xúc với điểm ép có thể tạo rãnh bề mặt của vật liệu làm cho đĩa mài nhô ra hoặc va đập. Đĩa mài có thể nhảy về phía hoặc nhảy ra ngoài từ phía người vận hành, tùy thuộc vào hướng di chuyển của đĩa mài tại điểm ép. Các đĩa mài cũng có thể bị vỡ trong các trường hợp này. Lực phản hồi là do việc sử dụng sai và/hoặc quy trình hoặc điều kiện vận hành sai dụng cụ điện cầm tay và có thể phòng tránh bằng cách áp dụng các biện pháp phòng ngừa phù hợp được nêu dưới đây.

- ▶ **Giữ chặt dụng cụ điện cầm tay và giữ cho cơ thể và tay của bạn chắc chắn cho phép bạn chịu được các lực phản hồi. Luôn sử dụng tay cầm phụ, nếu có, để kiểm soát tối đa lực phản hồi hoặc lực mômen xoắn trong khi khởi động.** Người vận hành có thể kiểm soát được các lực mômen xoắn hoặc lực phản hồi nếu áp dụng các biện pháp phòng ngừa phù hợp.
- ▶ **Tuyệt đối không để tay gần phần phụ kiện quay.** Phụ kiện có thể tác động lại tay của bạn.
- ▶ **Không được đứng tại nơi dụng cụ điện cầm tay di chuyển nếu xảy ra lực phản hồi.** Lực phản hồi sẽ đẩy dụng cụ theo hướng ngược với hướng di chuyển của đĩa mài tại điểm mài mòn.
- ▶ **Sử dụng tấm bảo vệ đặc biệt khi làm việc tại các góc, cạnh sắc v.v.v. Tránh làm nảy và mài mòn phụ kiện.** Các góc, cạnh sắc hoặc việc nảy lên có thể mài mòn phụ kiện quay và dẫn đến mất kiểm soát hoặc đẩy ngược lại.
- ▶ **Không được lắp thêm lưỡi cưa gỗ dạng lưỡi cưa xích hoặc lưỡi cưa có răng.** Các lưỡi như vậy có thể tạo lực phản hồi thường xuyên và làm mất kiểm soát.

Thông tin cụ thể về Cảnh báo An toàn khi vận hành Máy mài

- ▶ **Chỉ sử dụng các loại đĩa được chỉ định cho dụng cụ điện cầm tay của bạn và lá chắn bảo vệ riêng được thiết kế cho đĩa cắt đã chọn.** Các loại đĩa không được thiết kế cho dụng cụ điện cầm tay này có thể không được bảo vệ phù hợp và không an toàn.
- ▶ **Bề mặt mài của các đĩa mài làm giảm trực tiếp phải được lắp phía dưới phần phẳng của vành chắn bảo vệ.** Đĩa lắp ghép không đúng cách chĩa ra khỏi bề mặt của vành chắn bảo vệ có thể không được bảo vệ phù hợp.

- ▶ **Phải sử dụng các đĩa mài được chỉ định riêng cho từng công việc.** Ví dụ: không được mài bằng cạnh của đĩa cắt. Các đĩa cắt bằng nhôm chỉ được sử dụng cho mài mép, các lực biên tác dụng vào các đĩa cắt này có thể làm chúng bị vỡ.
- ▶ **Luôn sử dụng các bích đệm đĩa không bị hư hỏng đúng kích cỡ và hình dạng cho đĩa đã chọn của bạn.** Các bích đệm đĩa phù hợp đỡ đĩa mài cho phép làm giảm khả năng vỡ đĩa. Các bích đệm cho các đĩa cắt có thể khác với các bích đệm đĩa mài.
- ▶ **Không được sử dụng các đĩa đã mài mòn từ các dụng cụ điện lớn hơn.** Đĩa dành riêng cho dụng cụ điện cầm tay lớn hơn không phù hợp cho tốc độ cao hơn của dụng cụ điện nhỏ hơn và có thể vỡ.

Các Cảnh báo An toàn Bổ sung dành riêng cho các thao tác Đánh bóng

- ▶ **Không được để phần nối lỏng của nắp bảo vệ đánh bóng hoặc phụ tùng gắn kèm quấn vào trục quay. Quấn gọn hoặc cắt các gắn kèm bị lỏng.** Các dây gắn kèm bị lỏng và quấn tròn có thể quấn các ngón tay của bạn vào phôi gia công.

Các Cảnh báo An toàn Bổ sung dành riêng cho các thao tác Chải bóng

- ▶ **Cần lưu ý rằng các sợi tổng hợp dây điện bị mắc vào bàn chải ngay cả khi vận hành bình thường. Không được kéo quá căng dây điện bằng cách dè quá tải vào bàn chải** Các sợi tổng hợp dây điện có thể dễ dàng thâm nhập vào quần áo mỏng và/hoặc da.
- ▶ **Nếu cần phải sử dụng vành chắn bảo vệ để chải bóng, không được để đĩa đệm kim loại hoặc bàn chải dính vào vành bảo vệ.** Đĩa đệm kim loại hoặc bàn chải có thể giãn ra do tải làm việc và các lực ly tâm.

Các cảnh báo phụ thêm



Hãy mang kính bảo hộ.

- ▶ **Dùng thiết bị dò tìm thích hợp để xác định nếu có các công trình công cộng lắp đặt ngầm trong khu vực làm việc hay liên hệ với Cty công trình công cộng địa phương để nhờ hỗ trợ.** Dụng cụ chạm đường dẫn điện có thể gây ra hỏa hoạn và điện giật. Làm hư hại đường dẫn khí ga có thể gây nổ. Làm thủng đường dẫn nước gây hư hỏng tài sản hay có khả năng gây ra điện giật.
- ▶ **Nhà công tắc Tắt/Mở ra và chuyển về vị trí tắt khi nguồn điện cung cấp bị ngắt, ví dụ., như**

Khi bị mất điện hay khi phích cắm bị tụt ra.

Cách này để ngăn sự khởi động lại không được kiểm soát.

- ▶ **Không được chạm vào đĩa mài trước khi các đĩa này đã nguội.** Đĩa có thể trở nên rất nóng trong lúc hoạt động.
- ▶ **Kẹp chặt vật gia công.** Vật gia công được kẹp bằng một thiết bị kẹp hay bằng ê-tô thì vững chắc hơn giữ bằng tay.

Mô Tả Sản Phẩm và Đặc Tính Kỹ Thuật



Đọc kỹ mọi cảnh báo an toàn và mọi hướng dẫn. Không tuân thủ mọi cảnh báo và hướng dẫn được liệt kê dưới đây có thể bị điện giật, gây cháy và / hay bị thương tật nghiêm trọng.

Xin lưu ý các hình minh hoạt trong phần trước của hướng dẫn vận hành.

Sử dụng đúng cách

Máy được thiết kế để mài và làm sạch rìa vật liệu kim loại bằng cách sử dụng dụng cụ mài bằng chất đá cứng corundum, cũng như để sử dụng với đá mài đĩa.

Máy được thiết kế bổ sung để chải và đánh bóng kim loại.

Các bộ phận được minh họa

Việc đánh số các thành phần đã minh họa liên quan đến mô tả dụng cụ điện trên trang hình ảnh.

- (1) Cổ góp
 - (2) Đai ốc chặn
 - (3) Trục máy mài
 - (4) Cổ trục (bề mặt nắm cách điện)
 - (5) Công tắc bật/tắt (GGS 30 LS / GGS 30 S)
 - (6) Núm xoay để chọn trước tốc độ
 - (7) Tay nắm (bề mặt nắm cách điện)
 - (8) Chia vận hình đĩa ở trục mài^{a)}
 - (9) Chia vận hình đĩa ở đai ốc chặn^{a)}
 - (10) Kích thước trục nhẹ L₀
 - (11) Công tắc bật/tắt (GGS 30 LPS)
 - (12) Núm nhả khóa của công tắc Bật/Tắt (GGS 30 LPS)
 - (13) Khóa trục
- a) **Phụ kiện này không thuộc phạm vi giao hàng tiêu chuẩn.**

Thông số kỹ thuật

Máy mài thẳng		GG5 30 LS	GG5 30 LPS	GG5 30 S
Mã số máy		3 601 BB5 0..	3 601 BB5 2..	3 601 BB5 1..
Công suất vào danh định	W	750	750	750
Công suất ra	W	400	400	400
Tốc độ danh định	/phút	33000	33000	33000
Điều chỉnh phần kiểm soát tốc độ	/phút	7000-33000	7000-33000	7000-33000
Đường kính mâm cặp, tối đa	mm	8	8	8
Kích cỡ chìa vận				
– Đai ốc chặn	mm	17	17	17
– Trục máy mài	mm	15	15	15
Đường kính cổ trục	mm	43	43	43
Đường kính dụng cụ mài, tối đa	mm	50	50	45
Kích thước trục nhẹ tối đa L ₀	mm	10	10	10
Chiều dài tối đa chuỗi tiếp hợp	mm	35	35	35
Bộ phận điều áp điện tử		●	●	●
Chọn Trước Tốc Độ		●	●	●
Chống dội ngược		●	●	●
Chống sự khởi động lại		●	●	●
Khởi động Êm		●	●	●
Trọng lượng ^{A)}	kg	1,7	1,8	1,5
Cấp độ bảo vệ		□/II	□/II	□/II

A) Trọng lượng không có cáp lưới điện và không có phích cắm điện nguồn

Các giá trị đã cho có hiệu lực cho điện thế danh định [U] 230 V. Đối với điện thế thấp hơn và các loại máy dành riêng cho một số quốc gia, các giá trị này có thể thay đổi.

Các giá trị có thể khác nhau tùy thuộc vào sản phẩm và tùy thuộc vào ứng dụng và điều kiện môi trường. Xem thêm thông tin chi tiết trên trang www.bosch-professional.com/wac.

Sự lắp vào

- ▶ Trước khi tiến hành bất cứ việc gì trên máy, kéo phích cắm điện nguồn ra.

Lắp dụng cụ mài bằng chìa vận hình đĩa và nhờ khóa trục (xem Hình A)

- ▶ Chỉ sử dụng chìa vận hình đĩa phù hợp và không bị hư hỏng (Xem „Thông số kỹ thuật“).
- Làm sạch trục máy mài (3) và tất cả bộ phận sắp được lắp vào.
- Nhấn khóa trục (13) và vận đai ốc chặn (2) bằng tay cho đến khi nó chặn lại.
- Nhấn giữ khóa trục và nối lỏng đai ốc chặn (2) bằng chìa vận hình đĩa (9) bằng cách xoay ngược chiều kim đồng hồ.
- Cắm trục kẹp của dụng cụ mài vào vành kẹp cho tới cỡ chặn (1).
- Hãy nhấn khóa trục (13) và kẹp chặt dụng cụ mài bằng chìa vận hình đĩa (9) tại bề mặt chìa bằng cách xoay theo chiều kim đồng hồ.

Dụng cụ mài phải quay đồng tâm hoàn toàn. Không được sử dụng các phụ tùng không tròn đều, để

thay thế, thay dụng cụ mài khác vào trước khi tiếp tục làm việc.

- ▶ Không siết chặt vành kẹp với đai ốc chặn, nếu dụng cụ mài được lắp. Nếu không, cổ góp có thể bị hỏng.
- ▶ Chỉ sử dụng chốt mài với đường kính trục phù hợp. Một chốt mài có đường kính trục không khớp với giá lắp dụng cụ của dụng cụ điện (xem phần „Thông số kỹ thuật“) không thể giữ chính xác và có thể làm hỏng cổ góp.
- ▶ Dụng cụ mài phải được kẹp tối thiểu 10 mm. Với kích thước trục nhẹ L₀ tốc độ tối đa cho phép của dụng cụ mài có thể được xác định từ thông tin do nhà sản xuất dụng cụ mài cung cấp. Tốc độ này không được thấp hơn tốc độ tối đa của dụng cụ điện.

Lắp các dụng cụ mài bằng hai chìa vận hình đĩa (xem Hình B)

- ▶ Chỉ sử dụng chìa vận hình đĩa phù hợp và không bị hư hỏng (Xem „Thông số kỹ thuật“).
- Làm sạch trục máy mài (3) và tất cả bộ phận sắp được lắp vào.

- Giữ chặt trục mài (3) bằng chia vận hình đĩa (8) trên khớp tra chia vận.
Hãy nối lỏng đai ốc chặn (2) bằng chia vận hình đĩa (9) trên khớp tra chia vận bằng cách xoay ngược chiều kim đồng hồ.
- Cắm trục kẹp của dụng cụ mài vào vành kẹp cho tới cỡ chặn (1).
- Hãy giữ chặt trục mài (3) bằng chia vận hình đĩa (8) và kẹp dụng cụ gài bằng chia vận hình đĩa (9) trên khớp tra chia vận bằng cách xoay theo chiều kim đồng hồ.

Dụng cụ mài phải quay đồng tâm hoàn toàn. Không được sử dụng các phụ tùng không tròn đều, để thay thế, thay dụng cụ mài khác vào trước khi tiếp tục làm việc.

- ▶ **Không siết chặt vành kẹp với đai ốc chặn, nếu dụng cụ mài được lắp.** Nếu không, cổ góp có thể bị hỏng.
- ▶ **Chỉ sử dụng chốt mài với đường kính trục phù hợp.** Một chốt mài có đường kính trục không khớp với giá lắp dụng cụ của dụng cụ điện (xem phần „Thông số kỹ thuật“) không thể giữ chính xác và có thể làm hỏng cổ góp.
- ▶ **Dụng cụ gài phải được kẹp tối thiểu 10 mm.** Với kích thước trục nhẹ L_0 tốc độ tối đa cho phép của dụng cụ gài có thể được xác định từ thông tin do nhà sản xuất dụng cụ gài cung cấp. Tốc độ này không được thấp hơn tốc độ tối đa của dụng cụ điện.

Hút Dám/Bụi

Mặt bụi từ các vật liệu được sơn phủ ngoài có chứa chì trên một số loại gỗ, khoáng vật và kim loại có thể gây nguy hại đến sức khỏe con người. Đụng chạm hay hít thở các bụi này có thể làm người sử dụng hay đứng gần bị dị ứng và/hoặc gây nhiễm trùng hệ hô hấp.

Một số mặt bụi có thể, ví dụ như bụi gỗ sợi hay dẫu, được xem là chất gây ung thư, đặc biệt là có liên quan đến các chất phụ gia dùng xử lý gỗ (chất cromat, chất bảo quản gỗ). Có thể chỉ nên để thợ chuyên môn gia công các loại vật liệu có chứa amiăng.

- Tạo không khí thông thoáng nơi làm việc.
- Khuyến nghị nên mang mặt nạ phòng độc có bộ lọc cấp P2.

Tuân thủ các qui định của quốc gia bạn liên quan đến loại vật liệu gia công.

- ▶ **Tránh không để rác tích tụ tại nơi làm việc.** Rác có thể dễ dàng bắt lửa.

Vận Hành

Bắt Đầu Vận Hành

- ▶ **Tuân thủ theo đúng điện thế!** Điện thế nguồn phải đúng với điện thế đã ghi rõ trên nhãn máy.

- ▶ **Trước mỗi lần sử dụng, hãy kiểm tra xem cổ góp (1) và đai ốc chặn (2) có bị hư hỏng không.**

Bật Mở và Tắt

GGG 30 LS/GGS 30 S

Để **mở máy** dụng cụ điện, nhấn công tắc Tắt/Mở (5) về phía trước.

Để **khóa** công tắc Tắt/Mở (5) hãy nhấn công tắc Tắt/Mở (5) về phía trước, cho đến khi khớp vào.

Để **tắt** dụng cụ điện, hãy nhả công tắc Tắt/Mở (5) hoặc nếu nó được khóa, hãy nhấn nhanh công tắc Tắt/Mở (5) xuống và nhả.

Bật Mở và Tắt

GGG 30 LPS

Để **Vận hành thử** dụng cụ điện, **trước tiên** đẩy khóa an toàn (12) ra sau, **tiếp theo** bấm công tắc bật/tắt (11) và ấn giữ.

Để **tắt** dụng cụ điện, hãy nhả công tắc Bật/Tắt (11).

Bộ phận điều áp điện tử

Bộ phận điều áp điện tử giữ cho tốc độ chạy ổn định khi không tải hoặc có tải, và đảm bảo sự đồng bộ hiệu suất lao động.

Chọn trước tốc độ

Với núm vận để chọn trước tốc độ (6), bạn có thể chọn trước số vòng quay cần thiết cả khi đang vận hành.

Số vòng quay cần thiết phụ thuộc vào vật liệu cần gia công và đường kính của dụng cụ gài. Tuân thủ số vòng quay tối đa cho phép của dụng cụ gài.

GGG 30 LS/GGS 30 LPS

Ở số vòng quay tối đa, đường kính tối đa cho phép của phụ kiện là 40 mm.

GGG 30 S

Ở số vòng quay tối đa, đường kính tối đa cho phép của phụ kiện là 45 mm.

Khi sử dụng phụ kiện có đường kính 50 mm, hãy đảm bảo tốc độ quay không quá 30000 /phút.

Vị Trí của Núm Xoay	Tốc độ không tải [/phút]
1	7000
2	9500
3	15000
4	19000
5	25000
6	33000

Chống dội ngược



Khi dội ngược đột ngột của dụng cụ điện, ví dụ kẹt cứng khi phay, nguồn điện tới động cơ bị gián đoạn.

Để **vận hành lại** hãy đưa công tắc Bật/Tắt (5)/(11) vào vị trí tắt và bật lại dụng cụ điện.

Chống sự khởi động lại

Sự bảo vệ sự tái khởi động ngăn ngừa sự khởi động không được chủ động kiểm soát của máy sau khi mất điện.

Để vận hành lại hãy đưa công tắc Bật/Tắt (5)/(11) vào vị trí tắt và bật lại dụng cụ điện.

Hướng dẫn: Khi tắt và bật lại cực nhanh, có thể xảy ra trường hợp kích hoạt cơ cấu chống khởi động lại và dụng cụ điện không khởi động mặc dù đã nhấn nút bật/tắt (5)/(11). Hãy đưa công tắc bật/tắt (5)/(11) vào vị trí tắt và bật lại dụng cụ điện.

Khởi động Êm

Tính năng của sự khởi động điện tử êm hạn chế được lực vận khi khởi động máy và làm tăng tuổi thọ của động cơ.

Hướng Dẫn Sử Dụng

- ▶ Trước khi tiến hành bất cứ việc gì trên máy, kéo phích cắm điện nguồn ra.
- ▶ Hãy bảo quản dụng cụ mài khỏi va chạm.
- ▶ Không được bắt dụng cụ điện làm việc quá sức đến mức dùng hoạt động.
- ▶ Sau khi để dụng cụ điện hoạt động với cường độ cao, tiếp tục cho máy chạy không tải vài phút để làm nguội dụng cụ cắt/mài xuống.
- ▶ Dụng cụ mài có thể trở nên rất nóng trong lúc hoạt động. Không được chạm vào trước khi chúng đã nguội.

Để việc gia công có được kết quả tốt nhất, di chuyển dụng cụ đầu mài/phụ tùng qua lại một cách đều tay với lực áp máy nhẹ. Áp suất quá mạnh sẽ làm giảm hiệu suất của dụng cụ điện và dẫn đến mòn nhanh dụng cụ mài.

Bảo Dưỡng và Bảo Quản

Bảo Dưỡng Và Làm Sạch

- ▶ Trước khi tiến hành bất cứ việc gì trên máy, kéo phích cắm điện nguồn ra.
- ▶ Để được an toàn và máy hoạt động đúng chức năng, luôn luôn giữ máy và các khe thông gió được sạch.
- ▶ Luôn sử dụng thiết bị hút nếu có khả năng khi vận hành dụng cụ trong điều kiện khắc nghiệt. Thường xuyên thổi sạch các khe thông gió và lắp đặt thiết bị ngắt mạch tự động (PRCD). Khi gia công kim loại, các loại mạt bụi dẫn điện có thể lọt vào trong dụng cụ điện. Toàn bộ sự cách điện của dụng cụ điện có thể bị mất tác dụng.

Xin vui lòng bảo quản và giữ gìn tay nắm và phụ tùng cẩn thận.

Nếu như cần phải thay dây dẫn điện thì công việc này phải do hãng **Bosch**, hay một đại lý được **Bosch** ủy nhiệm thực hiện để tránh gặp sự nguy hiểm do mất an toàn.

Dịch vụ hỗ trợ khách hàng và tư vấn sử dụng

Bộ phận phục vụ hàng sau khi bán của chúng tôi trả lời các câu hỏi liên quan đến việc bảo dưỡng và sửa chữa các sản phẩm cũng như phụ tùng thay thế của bạn. Sơ đồ mô tả và thông tin về phụ tùng thay thế cũng có thể tra cứu theo dưới đây:

www.bosch-pt.com

Đội ngũ tư vấn sử dụng của Bosch sẽ giúp bạn giải đáp các thắc mắc về sản phẩm và phụ kiện.

Trong tất cả các phản hồi và đơn đặt phụ tùng, xin vui lòng luôn luôn nhập số hàng hóa 10 chữ số theo nhãn của hàng hóa.

Việt Nam

CN CÔNG TY TNHH BOSCH VIỆT NAM TẠI TP.HCM

Tầng 14, Ngôi Nhà Đức, 33 Lê Duẩn
Phường Bến Nghé, Quận 1, Thành Phố Hồ Chí Minh

Tel.: (028) 6258 3690

Fax: (028) 6258 3692 - 6258 3694

Hotline: 1900 9988 50

Email: tuvankhachhang-pt@vn.bosch.com

www.bosch-pt.com.vn

Xem thêm địa chỉ dịch vụ tại:

www.bosch-pt.com/serviceaddresses

Sự thải bỏ

Máy, linh kiện và bao bì phải được phân loại để tái chế theo hướng thân thiện với môi trường.



Không được thải bỏ dụng cụ điện vào chung với rác sinh hoạt!

استعمال كابل تمديد مخصص للاستعمال في الأماكن المكشوفة من خطر الصدمات الكهربائية.

❖ **إن لم يكن بالإمكان تجنب تشغيل العدة الكهربائية في الأجواء الرطبة، فاستخدم مفتاح للوقاية من التيار المتخلف.** إن استخدام مفتاح للوقاية من التيار المتخلف يقلل خطر الصدمات الكهربائية.

أمان الأشخاص

❖ **كن يقظا وانتبه إلى ما تفعله واستخدم العدة الكهربائية بتعقل.** لا تستخدم عدة كهربائية عندما تكون متعبا أو عندما تكون تحت تأثير المخدرات أو الكحول أو الأدوية. عدم الانتباه للحظة واحدة عند استخدام العدة الكهربائية قد يؤدي إلى إصابات خطيرة.

❖ **قم بارتداء تجهيزات الحماية الشخصية.** وارتد دائما نظارات واقية. إن ارتداء تجهيزات الحماية الشخصية، كقناع الوقاية من الغبار والحذبة الأمان الواقية من الانزلاق والوذو أو واقية الأذنين، حسب ظروف استعمال العدة الكهربائية، يقلل من خطر الإصابة بجروح.

❖ **تجنب التشغيل بشكل غير مقصود.** تأكد من كون العدة الكهربائية مطفاة قبل توصيلها بالتيار الكهربائي و/أو بالمركم، وقبل رفعها أو حملها. إن كنت تضع إصبعك على المفتاح أثناء حمل العدة الكهربائية أو إن وصلت الجهاز بالشبكة الكهربائية بينما المفتاح على وضع التشغيل، فقد يؤدي هذا إلى وقوع الحوادث.

❖ **انزع أي أداة ضبط أو مفتاح ربط قبل تشغيل العدة الكهربائية.** قد يؤدي ترك أداة أو مفتاح في جزء دوار من الجهاز إلى الإصابة بجروح.

❖ **تجنب أوضاع الجسم غير الطبيعية.** قف بأمان وحافظ على توازنك دائما. سيسمح لك ذلك بالتمكك في الجهاز بشكل أفضل في المواقف غير المتوقعة.

❖ **قم بارتداء ثياب مناسبة.** لا ترتد الثياب الفضفاضة أو الحللى المتدلية. حافظ على إبقاء الشعر والثياب والقفازات على بعد عن أجزاء الجهاز المتحركة. قد تتشابك الثياب الفضفاضة والملى والشعر الطويل بالأجزاء المتحركة.

❖ **في حالة التزود بتجهيزات شفت وتجميع الغبار، فتأكد من أنها موصلة ومستخدمة بشكل سليم.** قد يقلل استخدام تجهيزات شفت الغبار من المخاطر الناتجة عن الغبار.

استخدام العدة الكهربائية والعناية بها

❖ **لا تفرط في تحميل الجهاز.** استخدم لتنفيد أشغالك العدة الكهربائية المخصصة لذلك. استخدام العدة الكهربائية الصحيحة سنجز العمل بصور أفضل وأكثر أمانا بالمعدل الذي صممت من أجله.

❖ **لا تستخدم العدة الكهربائية إن كان مفتاح تشغيلها معطل.** العدة الكهربائية التي لم يعد من الممكن التحكم بها عن طريق مفتاح التشغيل والإطفاء تعتبر خطيرة ويجب أن يتم إصلاحها.

❖ **افصل القابس من المقبس و/أو انزع المركم من العدة الكهربائية قبل إجراء أي أعمال الضبط على الجهاز وقبل استبدال التوابع أو**

عربي

إرشادات الأمان

تحذيرات أمان عامة للعدد الكهربائية

⚠ **تحذير** اقرأ جميع تحذيرات الأمان والتعليمات. عدم مراعاة

تحذيرات الأمان وعدم اتباع التعليمات قد يؤدي إلى الصدمات الكهربائية و/أو نشوب حرائق و/أو الإصابة بجروح خطيرة.

احتفظ بجميع تحذيرات الأمان والتعليمات للرجوع إليها فيما بعد.

يقصد بمصطلح «العدة الكهربائية» المستخدم في تحذيرات الأمان، العدد الكهربائية الموصلة بالشبكة الكهربائية (بواسطة كابل الشبكة الكهربائية) وأيضا العدد الكهربائية المشغلة بمركم (دون كابل الشبكة الكهربائية).

الأمان بمكان العمل

❖ **احرص على أن يكون مكان العمل نظيفا ومضاء بشكل جيد.** الفوضى في مكان العمل ونطاقات العمل غير المضاءة قد تؤدي إلى وقوع الحوادث.

❖ **لا تشغل العدة الكهربائية في أجواء معرضة لخطر الانفجار، مثل الأماكن التي تتوفر فيها السوائل أو الغازات أو الأبخرة القابلة للاشتعال.** العدد الكهربائية تولد شررا قد يتسبب في إشعال الأبخرة والأبخرة.

❖ **احرص على بقاء الأطفال وغيرهم من الأشخاص بعيدا عند تشغيل العدة الكهربائية.** تشتيت الانتباه قد يتسبب في فقدان السيطرة على الجهاز.

الأمان الكهربائي

❖ **يجب أن تكون قوابس العدد الكهربائية متلائمة مع المقابس.** لا يجوز تعديل القابس بأي صورة من الصور. لا تستعمل القوابس المهيأة مع العدد الكهربائية المؤرصة (ذات طرف أرضي). تقلل القوابس التي لم يتم تعديلها والمقابس المتلائمة من خطر الصدمات الكهربائية.

❖ **تجنب ملامسة جسمك للأسطح المؤرصة كالأنابيب والمبردات والمواقد أو التلجالات.** يزداد خطر الصدمات الكهربائية عندما يكون جسمك مؤرّض أو موصل بالأرضي.

❖ **أبعد العدد الكهربائية عن الأمطار أو الرطوبة.** يزداد خطر الصدمات الكهربائية إن تسرب الماء إلى داخل العدة الكهربائية.

❖ **لا تسئ استعمال الكابل.** لا تستخدم الكابل في حمل العدة الكهربائية أو سحبها أو سحب القابس من المقبس. احرص على إبعاد الكابل عن الحرارة والزيت والحواف الحادة أو الأجزاء المتحركة. تزيد الكابلات التالفة أو المتشابهة من خطر الصدمات الكهربائية.

❖ **عند استخدام العدة الكهربائية خارج المنزل اقتصر على استخدام كابلات التمديد الصالحة للاستعمال في الأماكن المكشوفة.** يقلل

لعدتك الكهربائية. فالملحقات ذات المقاسات غير الصحيحة لا يمكن حمايتها أو التحكم فيها على نحو مناسب.

- ◀ **يجب أن تناسب القاعدة الملولبة الخاصة بالملحقات لولب محور دوران المحلقة.** بالنسبة للملحقات التي يتم تركيبها بواسطة فلانشات يجب أن يناسب التجويف الأوسط للملحقة قطر الفلانشة. الملحقات التي لا تناسب أجزاء تركيب العدة الكهربائية ستعرض لفقدان الاتزان والاهتزاز بشكل زائد وقد تتسبب في فقدان التحكم.
- ◀ **لا تستخدم ملحق به ضرر. قبل كل استخدام قم بفحص الملحق مثل قرص التخليج من حيث وجود قطع مكسورة أو تشققات، ولوح التدعيم من حيث وجود تشققات أو اهتزاز أو تآكل شديد والفرشاة السلكية من حيث وجود أسلاك سائبة أو مكسورة. في حالة تعرض العدة الكهربائية أو الملحق للسقوط افحصهما من حيث وجود أضرار، و قم بتركيب ملحق سليم. بعد فحص الملحق وتركيبه ابتعد أنت ومن حولك عن سطح الملحق الدوار، و قم بتشغيل العدة الكهربائية على أقصى سرعة دون حمل لمدة دقيقة واحدة. ستفصل الملحقات التي يوجد بها أضرار أثناء وقت الاختبار هذا.**
- ◀ **احرص على ارتداء تجهيزات الحماية الشخصية.** تبعا لطبيعة الاستخدام قم بارتداء واقية وجه أو واقية للعينين أو نظارة واقية. وعند الحاجة قم بارتداء قناع واق من الغبار وواقيات للأذن وقفازات وسترة واقية قادرة على صد بقايا الكشط الصغيرة وشظايا قطعة الشغل. يجب أن تكون واقية العينين قادرة على صد الشظايا المتطايرة الناتجة عن الأعمال المختلفة. يجب أن يكون قناع الغبار أو الكمامة قادرين على حجز الجزيئات الصغيرة الناتجة عن عملك. التعرض إلى الضوضاء العالية لفترات طويلة قد يتسبب في فقدان القدرة على السمع.
- ◀ **أبعد الموجودين حولك بمسافة أمان كافية عن مكان العمل. لا بد أن يرتدي أي شخص يدخل مكان العمل تجهيزات الحماية الشخصية.** قد تتطاير شظايا من قطعة الشغل أو الملحق المنكسر بعيدا خارج النطاق القريب من مكان العمل لتسبب إصابات.
- ◀ **أمسك العدة الكهربائية من أسطح المسك المعزولة فقط، عند القيام بعمل قد يترتب عليه ملامسة ملحق القطع لأسلاك كهربائية غير ظاهرة أو لسلك الكهرباء الخاص بالعدة نفسها. ملامسة ملحق القطع لسلك «مكهرب» قد يتسبب في مرور التيار في الأجزاء المعدنية من العدة وجعلها «مكهربة» مما قد يصيب المشغل بصدمة كهربائية.**
- ◀ **ضع السلك بعيدا عن الملحق الدوار. في حالة فقدان السيطرة قد يتعرض السلك للانقطاع أو التمزق، وقد تنجذب يدك أو ذراعك إلى الملحق الدوار.**
- ◀ **لا تضع العدة الكهربائية على الأرض قبل أن يتوقف الملحق تماما. فقد يلامس الملحق**

قبل تخزين العدد الكهربائية. تقلل هذه الإجراءات وقائية من خطر تشغيل العدة الكهربائية بشكل غير مقصود.

- ◀ **احتفظ بالعدد الكهربائية التي لا يتم استخدامها بعيدا عن متناول الأطفال. لا تسمح باستخدام العدة الكهربائية لمن لا خبرة له بها أو لمن لم يقرأ تلك التعليمات. العدد الكهربائية خطيرة إن تم استخدامها من قبل أشخاص دون خبرة.**
 - ◀ **احرص على صيانة العدد الكهربائية. تأكد أن أجزاء الجهاز المتحركة مركبة بشكل سليم وغير مستعصبة الحركة، وتفحص ما إن كانت هناك أجزاء مكسورة أو في حالة تؤثر على سلامة أداء العدة الكهربائية. ينبغي إصلاح هذه الأجزاء التالفة قبل إعادة تشغيل الجهاز. الكثير من الحوادث مصدرها العدد الكهربائية التي تم صيانتها بشكل ردي.**
 - ◀ **احرص على إبقاء عدد القطع نظيفة وحادة.** إن عدد القطع ذات حواف القطع المادة التي تم صيانتها بعناية تتكلم بشكل أقل ويمكن توجيهها بشكل أيسر.
 - ◀ **استخدم العدد الكهربائية والتوابع وريش الشغل إلخ. وفقا لهذه التعليمات. تراعى أثناء ذلك ظروف الشغل والعمل المراد تنفيذه. استخدام العدد الكهربائية لغير الأعمال المخصصة لأجلها قد يؤدي إلى حدوث الحلات الخطيرة.**
- الخدمة**
- ◀ **احرص على إصلاح عدتك الكهربائية فقط بواسطة الفنيين المتخصصين وباستعمال قطع الغيار الأصلية فقط. يضمن ذلك المحافظة على أمان الجهاز.**
- تعليمات الأمان للجلاخات المستقيمة**
- تحذيرات الأمان العامة للسفرة أو التنظيف بالفرشاة السلكية أو الصقل**
- ◀ **هذه العدة الكهربية مخصصة للاستخدام كأداة تخليج أو فرشاة سلكية أو أداة صقل. اطلع على كافة تحذيرات الأمان والتعليمات والصور والمواصفات المرفقة بالعدة الكهربائية. عدم اتباع التعليمات الواردة أدناه قد يؤدي إلى حدوث صدمة كهربائية أو نشوب حريق أو الإصابة بجروح خطيرة.**
 - ◀ **لا ينصح باستخدام هذه العدة الكهربائية في أعمال السفر أو القطع. قد يتسبب استخدام العدة الكهربائية في أعمال لم تصمم من أجلها في حدوث خطأ وإصابات.**
 - ◀ **لا تستخدم الملحقات التي لم تصممها الجهة الصانعة للعدة أو توصي بها. لا تعني إمكانية تركيب ملحق بالعدة الكهربائية ضمان تشغيله بشكل آمن.**
 - ◀ **يجب أن تتساوى السرعة الاسمية للملحق على الأقل مع السرعة القصوى المدونة على العدة الكهربائية. الملحقات التي تدور بسرعة أعلى من سرعتها الاسمية يمكن أن تنكسر وتطير بعيدا.**
 - ◀ **يجب أن يكون القطر الخارجي للملحقة وسمكها في إطار المقاسات المسموح بها**

◀ لا تقم بتركيب شفرة نحت على الخشب لمنشار جنزيري أو شفرة منشار مسننة. تتسبب هذه الشفرات في حدوث صدمات ارتدادية متعددة وفي فقدان السيطرة.

تحذيرات الأمان الخاصة بأعمال التليخ

◀ احرص على استخدام الأقراص الموصى بها لعدتك الكهربائية والواقية المصممة خصيصا للقرص المختار. الأقراص غير المصممة خصيصا للعدة الكهربائية لا يمكن حمايتها بشكل ملائم، وتعتبر غير آمنة.

◀ سطح الجلب بالنسبة للأقراص المضغوطة من المركز يجب أن يكون مركبا أسفل سطح شفة الحماية. القرص المركب بشكل غير مناسب والبارز عن سطح شفة الواقية لا يمكن حمايته بشكل ملائم.

◀ يجب الاختصار في استخدام الأقراص على الاستخدامات الموصى بها. على سبيل المثال: لا تقم بعملية الجلب باستخدام جانب قرص القطع. أقراص القطع الكاشطة مخصصة للجلب السطحي، وقد تتسبب القوى الجانبية المؤثرة على الأقراص في انكسارها.

◀ احرص دائما على استخدام فلانشات أقراص سليمة ذات مقاس صحيح وشكل مناسب للقرص المختار. تعمل فلانشات الأقراص المناسبة على دعم القرص مما يقلل من إمكانية انكساره. قد تختلف فلانشات أقراص القطع عن فلانشات أقراص الجلب.

◀ لا تستخدم أقراص تالفة مخصصة لعدد كهربائية أخرى. القرص المخصص لعدد كهربائية أكبر غير مناسب للسرعات الأعلى التي تتمتع بها العدد الأصغر، مما قد يعرضه للانكسار في حالة استخدامه.

تحذيرات الأمان الخاصة بأعمال التلميع

◀ لا تسمع للجزء الحر من غطاء التلميع أو خيوط ملحقته بالدوران بشكل حر. قم بإدخال أي خيوط حرة بالملحقة أو بقصها. يمكن أن تتشبك الخيوط الحرة والدوارة الخاصة بالملحقة بأصابعك أو تنمشر بقطعة الشغل.

تحذيرات الأمان الخاصة بأعمال الصقل بالفرشاة السلكية

◀ انتبه إلى تطاير الشعيرات السلكية أثناء الأعمال العادية بالفرشاة. لا تضغط بشكل زائد على الأسلاك بالتحميل بشكل كبير على الفرشاة حيث يمكن أن تتفترق الشعيرات السلكية الملابس الخفيفة و/أو الجلد.

◀ إذا كان استخدام واقية للصقل بالفرشاة اللاسلكية موصى به فلا تسمع بحدوث أي تداخل للقرص السلكي أو الفرشاة مع الواقية. قد يزداد قطر القرص السلكي أو الفرشاة نتيجة لحمل العمل أو لقوى الطرد المركزية.

إرشادات الأمان الإضافية

احرص على ارتداء نظارات واقية.



الدوار سطح الأرضية ويجذب العدة الكهربائية فتخرج عن سيطرتك.

◀ لا تقم بتشغيل العدة الكهربائية أثناء حملها في نفس اتجاهك. قد يؤدي التلامس غير المقصود مع القرص الدوار إلى انشباكك في ملابسك، مما يؤدي إلى جذب الملحق نحو جسمك.

◀ احرص على تنظيف فتحات تهوية العدة الكهربائية بانتظام. ستسحب مروحة الموتور الغبار إلى داخل جسم العدة الكهربائية مما يتسبب في تراكم كبير للمسحوق المعدني الأمر الذي قد يؤدي إلى مخاطر كهربائية.

◀ لا تقم بتشغيل العدة الكهربائية بجوار خامات قابلة للاشتعال. فقد يتسبب الشرر في اشتعال هذه المواد.

◀ لا تستخدم ملحقات تتطلب سوائل تبريد. فاستخدام الماء أو سوائل التبريد قد يتسبب في التعرض للصعق أو الصدمة الكهربائية.

الصدمة الارتدادية والتحذيرات المتعلقة بها

الصدمة الارتدادية هي رد فعل مفاجئ لتعثر أو انكسار قرص دوار أو لوح تدعيم أو فرشاة أو أي ملحقة أخرى. التعثر أو الانكسار يتسببان في التوقف المفاجئ للملحق الدوار، مما يتسبب في ارتداد العدة الكهربائية بشكل خارج عن السيطرة في اتجاه معاكس لاتجاه دوران الملحق في نقطة التعثر. على سبيل المثال، إذا تعرض قرص تليخ للانكسار أو الإعاقة في قطعة الشغل فقد تغطس حافة القرص المواجهة لنقطة التعثر في قطعة الشغل مما يتسبب في انكسار القرص أو في الصدمة الارتدادية. وقد يطير القرص في اتجاه المشغل أو بعيدا عنه تبعا لاتجاه حركة القرص بالنسبة لنقطة التعثر. وقد تتسبب هذه الظروف في انكسار قرص التليخ.

تعتبر الصدمة الارتدادية نتيجة للاستخدام الخاطئ للعدة الكهربائية و/أو لخطوات تشغيل غير صحيحة أو لظروف غير ملائمة، ويمكن تجنبها عن طريق أخذ الاحتياطات المناسبة المبينة أدناه.

◀ احرص دائما على إحكام مسك العدة الكهربائية، وعلى وضعية جسم وذراع تتبع لك مقاومة القوى الارتدادية. احرص على استخدام المقبض الإضافي في حالة التجهيز

به لمزيد من التحكم في الصدمة الارتدادية أو رد فعل العزم أثناء بدء التشغيل. يمكن للمشغل التحكم في ردود فعل العزم أو القوى الارتدادية في حالة اتفاده الاحتياطات المناسبة.

◀ لا تضع يدك أبدا بالقرب من الملحق الدوار. فقد يتعرض الملحق لصدمة ارتدادية ويصطدم بيدك.

◀ لا تقف بجسمك في المكان الذي ستتمركز فيه العدة الكهربائية إذا تعرضت لصدمة كهربائية. ستدفع الصدمة الارتدادية العدة في اتجاه معاكس لحركة القرص عند نقطة الإعاقة.

◀ توخ الحرس الشديد عن العمل في الأركان وعند الحواف الحادة وما شابه. تجنب تعريض الملحق للارتداد أو الانكسار. تتسبب الأركان والحواف الحادة والارتداد في ميل القرص الدوار للانكسار، وبالتالي يتم فقدان السيطرة عليها أو تحدث الصدمة الارتدادية.

الاستعمال المطابق للتعليمات

لقد خصصت العدة الكهربائية لجلخ وتمليس المعادن بواسطة عدد الجلخ الياقوتية وأيضاً للعمل بواسطة عجلات سيور الجلخ.
لقد خصصت العدة الكهربائية إضافة عن ذلك لصقل المعادن والعمل بالفرشاة عليها.

الأجزاء المصورة

يشير ترقيم الأجزاء المصورة إلى الصورة المعروضة للعدة الكهربائية في صفحة الرسوم.

- (1) الطرف الطوقي
 - (2) صامولة الشد
 - (3) محور دوران الجلاخة
 - (4) رقبة محور الدوران (موضع مسك معزول)
 - (5) مفتاح التشغيل والإطفاء (/ GGS 30 LS GGS 30 S)
 - (6) طارة ضبط عدد اللفات مسبقاً
 - (7) مقبض (سطح قبض معزول)
 - (8) مفتاح هلالي على محور دوران الجلاخة^(a)
 - (9) مفتاح هلالي على صامولة الشد^(a)
 - (10) القطر الداخلي للعمود L₀
 - (11) مفتاح التشغيل والإطفاء (GGS 30 LPS)
 - (12) مانع تشغيل مفتاح التشغيل والإطفاء (GGS 30 LPS)
 - (13) قفل محور الدوران
- (a) إن هذه التوابع ليست محتواة ضمن إطار التوريد الاعتيادي.

- ◀ استخدم أجهزة تنقيب ملائمة للعثور على خطوط الامداد غير الظاهرة، أو استعن بشركة الامداد المحلية. ملامسة الخطوط الكهربائية قد تؤدي إلى اندلاع النار وإلى الصدمات الكهربائية. حدوث أضرار بخط الغاز قد يؤدي إلى حدوث انفجارات. اختراق خط الماء يشكل الأضرار المادية أو قد يؤدي إلى الصدمات الكهربائية.
- ◀ فك إقفال مفتاح التشغيل والإطفاء واضبطه على وضع الإطفاء في حالة قطع التيار الكهربائي، مثلاً: عند انقطاع التيار الكهربائي أو سحب القابس من مقبس الشبكة الكهربائية. وبذلك يتم منع إعادة التشغيل دون قصد.

- ◀ لا تمسك أقراص السنفرة قبل أن تبرد. تطراً على الأقراص درجات حرارة عالية أثناء العمل.
- ◀ احرص على تأمين قطعة الشغل. قطعة الشغل المثبتة بواسطة تجهيزة شد أو بواسطة الملزمة مثبتة بأمان أكبر مما لو تم الإمساك بها بواسطة يدك.

وصف المنتج والأداء

- اقرأ جميع إرشادات الأمان والتعليمات. ارتكاب الأخطاء عند تطبيق إرشادات الأمان والتعليمات، قد يؤدي إلى حدوث صدمات كهربائية أو إلى نشوب الحرائق و/أو الإصابة بجروح خطيرة.



يرجى الرجوع إلى الصور الموجودة في الجزء الأول من دليل التشغيل.

البيانات الفنية

جلاخة مستقيمة				
GGS 30 S	GGS 30 LPS	GGS 30 LS		
3 601 BB5 1..	3 601 BB5 2..	3 601 BB5 0..		رقم الصنف
750	750	750	واط	قدرة الدخل الاسمية
400	400	400	واط	قدرة الخرج
33000	33000	33000	لفة/دقيقة	عدد اللفات الاسمي
33000-7000	33000-7000	33000-7000	لفة/دقيقة	نطاق ضبط عدد اللفات
8	8	8	مم	قطر الطرف الطوقي الأقصى
				سطح تركيز المفتاح على
17	17	17	مم	- صامولة الشد
15	15	15	مم	- محور دوران الجلاخة
43	43	43	مم	قطر عنق محور الدوران
45	50	50	مم	قطر أقراص الجلخ الأقصى
10	10	10	مم	الحد الأقصى للقطر الداخلي للعمود L ₀
35	35	35	مم	الطول الأقصى لساق التثبيت
●	●	●		المثبت الإلكتروني

جلاخة مستقيمة	GGS 30 LS	GGS 30 LPS	GGS 30 S
ضبط عدد اللفات مسبقاً	●	●	●
خاصية الإيقاف بسبب الصدمات الارتدادية	●	●	●
واقية إعادة التشغيل	●	●	●
البدء بإدارة هادئة	●	●	●
الوزن ^(A)	1,7 كجم	1,8	1,5
فئة الحماية	/ II □	/ II □	/ II □

(A) الوزن دون وصلة الكهرباء ودون قابس الكهرباء

تسري البيانات على جهد اسمي [U] يبلغ 230 فولت. قد تختلف تلك البيانات حسب اختلاف الجهد والطرزات الخاصة بكل دولة.

قد تختلف القيم حسب المنتج وظروف الاستخدام والبيئة. المزيد من المعلومات على موقع الإنترنت www.bosch-professional.com/wac.

التركيب

◀ اسحب القابس من مقبس الشبكة الكهربائية قبل إجراء أي عمل على العدة الكهربائية.

تركيب عدد التجليخ باستخدام مفتاح هلالي وبواسطة قفل محور الدوران (انظر الصورة A)

◀ استخدم فقط مفتاح هلالي مناسب وغير تالف (انظر "البيانات الفنية").

– قم بتنظيف محور دوران الجلاخة (3) وجمع الأجزاء المراد تركيبها.

– اضغط على قفل محور الدوران (13) وأدر صامولة التثبيت (2) يدويا حتى تجد مقاومة.

– احتفظ بقفل محور الدوران مضغوطة، و قم بحل صامولة التثبيت (2) باستخدام المفتاح الهلالي (9) من خلال إدارتها عكس اتجاه حركة عقارب الساعة.

– أدخل عمود شد قرص الجلخ حتى النهاية في الطرف الطوقي (1).

– اضغط على قفل محور الدوران (13) و قم بإحكام شد عدة الشغل باستخدام المفتاح الهلالي (9) على السطح المخصص للمفتاح من خلال الإدارة في اتجاه عقارب الساعة.

– يجب أن تدور أقراص الجلخ بشكل دائري وسليم. لا تتابع استخدام أقراص الجلخ غير الدائرية، ولكن استبدلها.

◀ لا تقم أبدا بإحكام ربط الطرف الطوقي مع صامولة الشد طالما أن قرص الجلخ غير مركب. وإلا فقد يتعرض الطرف الطوقي للضرر.

◀ لا تستخدم سنون الجلخ إلا مع عمود ذو قطر مناسب. لا يمكن تثبيت سن الجلخ الذي لا يطابق قطر العمود مع حاضن عدد العدة الكهربائية (انظر "البيانات الفنية") بشكل صحيح، والذي قد يؤدي إلى إتلاف الطرف الطوقي.

◀ يجب أن تكون عد الشغل مشدودة بمقدار 10 مم. مع القطر الداخلي للعمود ٥، يمكن احتساب عدد اللفات الأقصى المسموح به لعدة الشغل من بيانات الجهة الصانعة لعدة الشغل. يجب أن يكون ذلك أقل من عدد اللفات الأقصى للعدة الكهربائية.

◀ يجب أن تكون عد الشغل مشدودة بمقدار 10 مم. مع القطر الداخلي للعمود ٥، يمكن احتساب عدد اللفات الأقصى المسموح به لعدة الشغل من بيانات الجهة الصانعة لعدة الشغل. يجب أن يكون ذلك أقل من عدد اللفات الأقصى للعدة الكهربائية.

◀ يجب أن تكون عد الشغل مشدودة بمقدار 10 مم. مع القطر الداخلي للعمود ٥، يمكن احتساب عدد اللفات الأقصى المسموح به لعدة الشغل من بيانات الجهة الصانعة لعدة الشغل. يجب أن يكون ذلك أقل من عدد اللفات الأقصى للعدة الكهربائية.

◀ يجب أن تكون عد الشغل مشدودة بمقدار 10 مم. مع القطر الداخلي للعمود ٥، يمكن احتساب عدد اللفات الأقصى المسموح به لعدة الشغل من بيانات الجهة الصانعة لعدة الشغل. يجب أن يكون ذلك أقل من عدد اللفات الأقصى للعدة الكهربائية.

◀ يجب أن تكون عد الشغل مشدودة بمقدار 10 مم. مع القطر الداخلي للعمود ٥، يمكن احتساب عدد اللفات الأقصى المسموح به لعدة الشغل من بيانات الجهة الصانعة لعدة الشغل. يجب أن يكون ذلك أقل من عدد اللفات الأقصى للعدة الكهربائية.

◀ يجب أن تكون عد الشغل مشدودة بمقدار 10 مم. مع القطر الداخلي للعمود ٥، يمكن احتساب عدد اللفات الأقصى المسموح به لعدة الشغل من بيانات الجهة الصانعة لعدة الشغل. يجب أن يكون ذلك أقل من عدد اللفات الأقصى للعدة الكهربائية.

◀ يجب أن تكون عد الشغل مشدودة بمقدار 10 مم. مع القطر الداخلي للعمود ٥، يمكن احتساب عدد اللفات الأقصى المسموح به لعدة الشغل من بيانات الجهة الصانعة لعدة الشغل. يجب أن يكون ذلك أقل من عدد اللفات الأقصى للعدة الكهربائية.

تركيب عدد التجليخ باستخدام مفتاحين هلاليين (انظر الصورة B)

◀ استخدم فقط مفتاح هلالي مناسب وغير تالف (انظر "البيانات الفنية").

– قم بتنظيف محور دوران الجلاخة (3) وجمع الأجزاء المراد تركيبها.

– قم بتثبيت محور دوران الجلاخة (3) باستخدام مفتاح هلالي (8) على السطح المخصص للمفتاح.

– قم بحل صامولة الشد (2) باستخدام مفتاح هلالي (9) على السطح المخصص للمفتاح من خلال إدارتها عكس اتجاه عقارب الساعة.

– أدخل عمود شد قرص الجلخ حتى النهاية في الطرف الطوقي (1).

– قم بتثبيت محور دوران الجلاخة (3) باستخدام المفتاح الهلالي (8) وأحكم شد عدة الشغل باستخدام المفتاح الهلالي (9) على السطح المخصص للمفتاح من خلال إدارتها عكس اتجاه عقارب الساعة.

– يجب أن تدور أقراص الجلخ بشكل دائري وسليم. لا تتابع استخدام أقراص الجلخ غير الدائرية، ولكن استبدلها.

◀ لا تقم أبدا بإحكام ربط الطرف الطوقي مع صامولة الشد طالما أن قرص الجلخ غير مركب. وإلا فقد يتعرض الطرف الطوقي للضرر.

◀ لا تستخدم سنون الجلخ إلا مع عمود ذو قطر مناسب. لا يمكن تثبيت سن الجلخ الذي لا يطابق قطر العمود مع حاضن عدد العدة الكهربائية (انظر "البيانات الفنية") بشكل صحيح، والذي قد يؤدي إلى إتلاف الطرف الطوقي.

◀ يجب أن تكون عد الشغل مشدودة بمقدار 10 مم. مع القطر الداخلي للعمود ٥، يمكن احتساب عدد اللفات الأقصى المسموح به لعدة الشغل من بيانات الجهة الصانعة لعدة الشغل. يجب أن يكون ذلك أقل من عدد اللفات الأقصى للعدة الكهربائية.

◀ يجب أن تكون عد الشغل مشدودة بمقدار 10 مم. مع القطر الداخلي للعمود ٥، يمكن احتساب عدد اللفات الأقصى المسموح به لعدة الشغل من بيانات الجهة الصانعة لعدة الشغل. يجب أن يكون ذلك أقل من عدد اللفات الأقصى للعدة الكهربائية.

◀ يجب أن تكون عد الشغل مشدودة بمقدار 10 مم. مع القطر الداخلي للعمود ٥، يمكن احتساب عدد اللفات الأقصى المسموح به لعدة الشغل من بيانات الجهة الصانعة لعدة الشغل. يجب أن يكون ذلك أقل من عدد اللفات الأقصى للعدة الكهربائية.

◀ يجب أن تكون عد الشغل مشدودة بمقدار 10 مم. مع القطر الداخلي للعمود ٥، يمكن احتساب عدد اللفات الأقصى المسموح به لعدة الشغل من بيانات الجهة الصانعة لعدة الشغل. يجب أن يكون ذلك أقل من عدد اللفات الأقصى للعدة الكهربائية.

◀ يجب أن تكون عد الشغل مشدودة بمقدار 10 مم. مع القطر الداخلي للعمود ٥، يمكن احتساب عدد اللفات الأقصى المسموح به لعدة الشغل من بيانات الجهة الصانعة لعدة الشغل. يجب أن يكون ذلك أقل من عدد اللفات الأقصى للعدة الكهربائية.

◀ يجب أن تكون عد الشغل مشدودة بمقدار 10 مم. مع القطر الداخلي للعمود ٥، يمكن احتساب عدد اللفات الأقصى المسموح به لعدة الشغل من بيانات الجهة الصانعة لعدة الشغل. يجب أن يكون ذلك أقل من عدد اللفات الأقصى للعدة الكهربائية.

◀ يجب أن تكون عد الشغل مشدودة بمقدار 10 مم. مع القطر الداخلي للعمود ٥، يمكن احتساب عدد اللفات الأقصى المسموح به لعدة الشغل من بيانات الجهة الصانعة لعدة الشغل. يجب أن يكون ذلك أقل من عدد اللفات الأقصى للعدة الكهربائية.

◀ يجب أن تكون عد الشغل مشدودة بمقدار 10 مم. مع القطر الداخلي للعمود ٥، يمكن احتساب عدد اللفات الأقصى المسموح به لعدة الشغل من بيانات الجهة الصانعة لعدة الشغل. يجب أن يكون ذلك أقل من عدد اللفات الأقصى للعدة الكهربائية.

◀ يجب أن تكون عد الشغل مشدودة بمقدار 10 مم. مع القطر الداخلي للعمود ٥، يمكن احتساب عدد اللفات الأقصى المسموح به لعدة الشغل من بيانات الجهة الصانعة لعدة الشغل. يجب أن يكون ذلك أقل من عدد اللفات الأقصى للعدة الكهربائية.

◀ يجب أن تكون عد الشغل مشدودة بمقدار 10 مم. مع القطر الداخلي للعمود ٥، يمكن احتساب عدد اللفات الأقصى المسموح به لعدة الشغل من بيانات الجهة الصانعة لعدة الشغل. يجب أن يكون ذلك أقل من عدد اللفات الأقصى للعدة الكهربائية.

شفط الغبار/النشارة

إن أغبرة بعض المواد كالمواد كالمواد الذي يحتوي على الرصاص، وبعض أنواع الخشب والفولاذ والمعادن، قد تكون مضرّة بالصحة. إن ملامسة أو استنشاق الأغبرة قد يؤدي إلى ردود فعل زائدة الحساسية و/أو إلى أمراض المجاري التنفسية لدى المستخدم أو لدى الأشخاص المتواجدين على مقربة من المكان.

GGG 30 LS/GGS 30 LPS

يبلغ أقصى قطر مسموح به للتوابع 40 مم مع أقصى عدد لفات.

GGG 30 S

يبلغ أقصى قطر مسموح به للتوابع 45 مم مع أقصى عدد لفات.

في حالة استخدام أحد التوابع بقطر يبلغ 50 مم، تأكد من أن عدد اللفات لا يتجاوز 30000 لفة/دقيقة.

وضع طارة الضبط عدد اللفات للاحملي (دقيقة ⁺)	
7000	1
9500	2
15000	3
19000	4
25000	5
33000	6

إيقاف الصدمات الارتدادية

في حالة وجود صدمة ارتدادية للعدة الكهربائية، مثلًا بسبب التعرض لإعاقة أثناء التفريز، يتم قطع إمداد التيار عن المحرك إلكترونياً.



لغرض إعادة التشغيل قم بضبط مفتاح التشغيل والإطفاء (5) / (11) على وضع الإطفاء، ثم إعادة تشغيل العدة الكهربائية.

واقية إعادة التشغيل

تمنع واقية إعادة التشغيل تشغيل العدة الكهربائية دون تحكم بها عند عودة الإمداد بالتيار الكهربائي. لغرض إعادة التشغيل قم بضبط مفتاح التشغيل والإطفاء (5) / (11) على وضع الإطفاء، ثم إعادة تشغيل العدة الكهربائية.

إرشاد: في حالة الإطفاء وإعادة التشغيل السريع، سيتم إطلاق واقية إعادة التشغيل ولن تبدأ العدة الكهربائية في العمل على الرغم من تشغيل مفتاح التشغيل/الإطفاء (5)/(11). قم بتثبيت مفتاح التشغيل/الإطفاء (5)/(11) في وضع إيقاف، ثم قم بتشغيل العدة الكهربائية مجدداً.

البدء بإدارة هادئة

إن البدء بإدارة هادئة إلكترونياً يحد عزم الدوران عند التشغيل ويزيد من مدة صلاحية المحرك.

إرشادات العمل

◀ اسحب القابس من مقبس الشبكة الكهربائية قبل إجراء أي عمل على العدة الكهربائية.

◀ احرص على حماية أدوات الجلف من الارتطامات.

◀ لا تقم بالتحميل على العدة الكهربائية بشكل كبير يتسبب في توقفها.

◀ بعد تحميل العدة الكهربائية بشكل شديد قم بتشغيلها لعدة دقائق على وضع اللاحم من أجل تبريدها.

◀ تطراً على أقراص الجلف درجات حرارة عالية أثناء العمل. لا تمسكها قبل أن تبرد.

تعتبر بعض الأغبرة المعينة، كأغبرة البلوط والزان من مسببات السرطان، وبالأخص عند اتصالها بالمواد الإضافية الخاصة بمعالجة الخشب (ملع حامض الكروميك، المواد الحافظة للخشب). يجوز أن يتم معالجة المواد التي تحتوي على الأسبستوس من قبل العمال المتخصصين فقط دون غيرهم.

– حافظ على تهوية مكان الشغل بشكل جيد.

– ينصح بارتداء قناع وقاية للتنفس من فئة المرشح P2.

تراعى الأحكام السارية في بلدكم بالنسبة للمواد المرغوب معالجتها.

◀ تجنب تراكم الغبار بمكان العمل. يجوز أن تشتعل الأغبرة بسهولة.

التشغيل**التشغيل**

◀ انتبه إلى جهد الشبكة الكهربائية! يجب أن يتطابق جهد منبع التيار مع البيانات المذكورة على لوحة صنع العدة الكهربائية.

◀ تأكد قبل كل استخدام من أن الطرف الطوقي (1) وصامولة الشد (2) ليست بهما أضراراً ظاهرة.

التشغيل والإطفاء**GGG 30 LS/GGS 30 S**

لغرض تشغيل العدة الكهربائية حرك مفتاح التشغيل والإطفاء (5) إلى الأمام.

لغرض تثبيت مفتاح التشغيل والإطفاء (5) اضغط على مفتاح التشغيل والإطفاء (5) الأمامي للأسفل إلى أن يثبت.

لغرض إطفاء العدة الكهربائية، اترك مفتاح التشغيل الإطفاء (5) أو إذا كان مثبتاً، اضغط على مفتاح التشغيل والإطفاء (5) الخلفي للأسفل لوهلة قصيرة، ثم اتركه.

التشغيل والإطفاء**GGG 30 LPS**

لغرض تشغيل العدة الكهربائية حرك أولاً مانع التشغيل (12) إلى الخلف ثم اضغط على مفتاح التشغيل والإطفاء (11) واحتفظ به مضغوطة.

لغرض إطفاء العدة الكهربائية اترك مفتاح التشغيل والإطفاء (11).

المثبت الإلكتروني

يحافظ المثبت الإلكتروني على شبه ثبات عدد الدوران عند التشغيل دون حمل والتشغيل مع حمل ويؤمن بذلك قدرة عمل منتظمة.

ضبط عدد اللفات مسبقاً

يمكنك بواسطة طارة ضبط عدد الدوران مسبقاً (6) ضبط عدد اللفات المطلوب مسبقاً حتى أثناء التشغيل.

يتعلق عدد الدوران المطلوب بمادة الشغل المرغوب معالجتها ويقطر عدة الشغل. تقيد بعدد الدوران الأقصى المسموح بعدة الشغل.

مرك قرص الجليخ بضغط خفيف جيئة وذهابا بانتظام للوصول إلى نتيجة عمل مثالية. يقلل الضغط الزائد من كفاءة العدة الكهربائية ويؤدي إلى زيادة سرعة تآكل أداة التجليخ.

الصيانة والخدمة

الصيانة والتنظيف

- ◀ اسحب القابس من مقبس الشبكة الكهربائية قبل إجراء أي عمل على العدة الكهربائية.
- ◀ حافظ على نظافة العدة الكهربائية وشقوق التهوية لكي تعمل بشكل جيد وآمن.
- ◀ احرص دائما على استخدام وحدة شفط في ظروف العمل القاسية قدر الإمكان. قم بتنظيف فتحات التهوية عن طريق نفخ الهواء عدة مرات، و قم بتوصيل مفتاح للوقاية من التيار المتخلف (PRCD) بشكل مسبق. قد يتسرب الغبار الموصل للكهرباء داخل العدة الكهربائية عند معالجة المعادن. قد يضر ذلك بعزل العدة الكهربائية.
- قم بتخزين التوابع وتعامل معها بعناية. إذا تطلب الأمر استبدال خط الإمداد، فينبغي أن يتم ذلك من قبل شركة Bosch أو من قبل مركز خدمة الزبائن المعتمد لشركة Bosch للعدد الكهربائية، لتجنب التعرض للمخاطر.

خدمة العملاء واستشارات الاستخدام

يجيب مركز خدمة الزبائن على أسئلتكم بصدد تصليح وصيانة المنتج وأيضا بما يخص قطع الغيار. ستجد الرسوم الممددة والمعلومات عن قطع الغيار بموقع: www.bosch-pt.com

يسر فريق استشارات الاستخدام لدى شركة بوش أن يقدم لك العون إذا كان لديك أية استفسارات بخصوص منتجاتنا وملحقاتها التكميلية.

يلزم ذكر رقم الصنف ذو الخانات العشر وفقا للوحة صنع المنتج عند إرسال أية استفسارات أو طلبيات قطع غيار.

المغرب

Robert Bosch Morocco SARL
53، شارع الملازم محمد محروود
20300 الدار البيضاء
الهاتف: +212 5 29 31 43 27
البريد الإلكتروني: sav.outillage@ma.bosch.com

تجد عناوين أخرى للخدمات تمت:

www.bosch-pt.com/serviceaddresses

التخلص من العدة الكهربائية

ينبغي تسليم العدد الكهربائية والتوابع والعبوة إلى مركز معالجة النفايات بطريقة محافظة على البيئة. لا ترم العدد الكهربائية ضمن النفايات المنزلية.



فارسی

دستورات ایمنی

هشدارهای ایمنی عمومی برای ابزارهای برقی

هشدار

تمامی هشدارهای ایمنی و دستورالعملها را مطالعه

کنید. عدم رعایت هشدارها و دستورالعملها ممکن است باعث برق گرفتگی، سوختگی و یا جراحتهای جدی شود.

کلیه هشدارهای ایمنی و دستورالعملها را برای مراجعات بعدی نگهداری کنید.

عبارت «ابزار برقی» در هشدارها به ابزارهایی که به پریز برق متصل میشوند (با سیم برق) و یا ابزارهای برقی باتری دار (بدون سیم برق) اشاره دارد.

ایمنی محل کار

محیط کار را تمیز و روشن نگه دارید. محیطهای در هم ریخته یا تاریک احتمال بروز حادثه را افزایش میدهند.

ابزار برقی را در محیطهایی که خطر انفجار وجود دارد و حاوی مایعات، گازها و بخارهای محترقه هستند، به کار نگیرید. ابزارهای برقی جرقههایی ایجاد میکنند که میتوانند باعث آتش گرفتن گرد و غبارهای موجود در هوا شوند.

هنگام کار با ابزار برقی، کودکان و سایر

افراد را از دستگاه دور نگه دارید. در صورتیکه حواس شما پرت شود، ممکن است کنترل دستگاه از دست شما خارج شود.

ایمنی الکتریکی

دوشاخه ابزار برقی باید با پریز برق تناسب داشته باشد. هیچگونه تغییری در دوشاخه ایجاد نکنید. برای ابزارهای برقی دارای اتصال زمین (ارت)، از هیچگونه مبدل دو شاخه استفاده نکنید. دوشاخههای اصل و تغییر داده نشده و پریزهای مناسب، خطر برق گرفتگی را کاهش میدهند.

از تماس بدن با قطعات متصل به سیم اتصال زمین مانند لوله، شوفاژ، اجاق برقی و یخچال خودداری کنید. در صورت تماس بدنی با سطوح و قطعات دارای اتصال به زمین و همچنین تماس شما با زمین، خطر برق گرفتگی افزایش می یابد.

ابزارهای برقی را در معرض باران و رطوبت قرار ندهید. نفوذ آب به ابزار برقی، خطر شوک الکتریکی را افزایش میدهد.

از سیم دستگاه برای مقاصد دیگر استفاده نکنید. هرگز برای حمل ابزار برقی، کشیدن آن یا خارج کردن دوشاخه از سیم دستگاه استفاده نکنید. کابل دستگاه را از حرارت، روغن، لبههای تیز یا قطعات متمرکز دور نگه دارید. کابلهای آسیب دیده و یا گره خورده خطر شوک الکتریکی را افزایش میدهند.

هنگام استفاده از ابزار برقی در محیطهای باز، تنها از کابل رابطی استفاده کنید که برای محیط باز نیز مناسب باشد. کابلهای رابط مناسب

برای محیط باز، خطر برق گرفتگی را کاهش میدهند.

در صورت لزوم به کار با ابزار برقی در محیط و اماکن مرطوب، باید از یک کلید حفاظتی جریان خطا و نشستی زمین (کلید قطع کننده اتصال با زمین) استفاده شود. استفاده از کلید حفاظتی جریان خطا و نشستی زمین خطر برق گرفتگی را کاهش میدهد.

رعایت ایمنی شخصی

حواس خود را خوب جمع کنید، به کار خود دقت کنید و با فکر و هوشیاری کامل با ابزار برقی کار کنید. در صورت خستگی و یا در صورتی که از مواد مخدر، الکل و دارو استفاده کردهاید، با ابزار برقی کار نکنید. یک لحظه بی توجهی هنگام کار با ابزار برقی، میتواند جراحتهای شدیدی به همراه داشته باشد.

از تجهیزات ایمنی شخصی استفاده کنید. همواره از عینک ایمنی استفاده نمایید.

استفاده از تجهیزات ایمنی مانند ماسک ایمنی، کفشهای ایمنی ضد لغزش، کلاه ایمنی و گوشی ایمنی متناسب با نوع کار، خطر مجروح شدن را کاهش میدهد.

مواظب باشید که ابزار برقی بطور ناخواسته بکار نیفتد. قبل از وارد کردن دوشاخه دستگاه در پریز برق، اتصال آن به باتری و برداشتن یا حمل دستگاه، دقت کنید که ابزار برقی خاموش باشد. در صورتی که هنگام حمل دستگاه انگشت شما روی دکمه قطع و وصل باشد و یا دستگاه را در حالت روشن به برق بزنید، ممکن است سوانع کاری پیش آید.

قبل از روشن کردن ابزار برقی، همه ابزارهای تنظیم کننده و آپارها را از روی دستگاه بردارید. ابزار و آپارهایی که روی بخشهای چرخنده دستگاه قرار دارند، میتوانند باعث ایجاد جراحتهای شوند.

وضعیت بدن شما باید در حالت عادی قرار داشته باشد. برای کار جای مطمئنی برای خود انتخاب کرده و تعادل خود را همواره حفظ کنید. به این ترتیب میتوانید ابزار برقی را در وضعیتهای غیر منظره بهتر تحت کنترل داشته باشید.

لباس مناسب بپوشید. از پوشیدن لباسهای گشاد و حمل زینت آلات خودداری کنید. موها، لباس و دستکشها را از بخشهای در حال چرخش دستگاه دور نگه دارید. لباسهای گشاد، موی بلند و زینت آلات ممکن است در قسمتهای در حال چرخش دستگاه گیر کنند.

در صورتی که تجهیزاتی برای اتصال وسائل مکش گرد و غبار و یا وسیله جمع کننده گرد و غبار ارائه شده است، باید مطمئن شوید که این وسائل درست نصب و استفاده می شوند. استفاده از وسائل مکش گرد و غبار مصونیت شما را در برابر گرد و غبار زیادتیر میکند.

استفاده صحیح از ابزار برقی و مراقبت از آن

از وارد کردن فشار زیاد روی دستگاه خودداری کنید. برای هر کاری، از ابزار برقی مناسب با آن استفاده کنید. بکار گرفتن ابزار

◀ **از ابزار و متعلقاتی که توسط سازنده طراحی و از سوی آنان تأیید نشده باشند، خودداری کنید.** تنها به این دلیل که یکی از متعلقات بر روی ابزار برقی شما میتواند نصب شود، ایمنی هنگام کار را تضمین نمیکند.

◀ **میزان تحمل سرعت مجاز متعلقات باید حداقل معادل با حداکثر سرعت تعیین شده بر روی ابزار برقی باشد.** متعلقاتی که سریعتر از حد مجاز میچرخند، ممکن است بشکنند و به اطراف پرتاب شوند.

◀ **قطر و ضخامت ابزار و متعلقاتی که بر روی دستگاه قرار میگیرند، باید با اندازهها و مقادیر قید شده ابزار برقی مطابقت داشته باشند.** ابزار و متعلقات با اندازه های نامتناسب و نادرست نمی توانند به حد کافی تمت حفاظت و قابل کنترل باشند.

◀ **متعلقات دارای رزوه بایستی با رزوه محور دستگاه متناسب باشند.** برای متعلقاتی که بوسیله فلانژ نصب می شوند، قطر سوراخ ابزار باید با قطر گیرنده فلانژ متناسب باشد. متعلقاتی که با تجهیزات نگهدارنده ابزار برقی همخوانی ندارند، بطور نامتعادل میچرخند، به شدت میلرزند و میتوانند باعث از بین رفتن کنترل روی دستگاه شوند.

◀ **از متعلقات آسیب دیده استفاده نکنید.** قبل از هر بار استفاده، متعلقاتی نظیر صفحه های ساب را از نظر ترکخوردگی و شکستگی، قابهای محافظ و کفی سنبله را از نظر ترکخوردگی، استهلاک یا ساییدگی غیر

متعارف، برس سیمی را از نظر شل بودن یا شکستگی سیما کنترل کنید. در صورت زمین افتادن ابزار برقی یا متعلقات دستگاه، آنها را از نظر آسیب دیدگی احتمالی بررسی کنید یا از متعلقات سالم استفاده نمایید. پس از بررسی و نصب متعلقات، خود و سایر افراد نزدیک به ابزار برقی را از معرض متعلقات در حال چرخش دور نگه دارید و ابزار برقی را به مدت یک دقیقه با حداکثر سرعت در حالت بدون بار، روشن بگذارید. متعلقات آسیب دیده معمولاً هنگام این آزمایش میشکنند.

◀ **از تجهیزات ایمنی و پوشش محافظ شخصی استفاده کنید.** متناسب با نوع کار، از گارد محافظ صورت یا عینک ایمنی استفاده کنید. در صورت لزوم از ماسک ضد غبار، گوشی ایمنی، دستکش ایمنی و یا پیش بند ایمنی مخصوصی که بتواند در مقابل ذرات مواد یا تراشه از شما محافظت کند، استفاده نمایید. محافظ چشمها باید بتواند در مقابل پرتاب برده و تراشهایی که در هنگام کارهای مختلف تولید میشوند، از چشمان شما محافظت کند. ماسکهای ایمنی ضد غبار یا ماسکهای تنفس باید قادر به فیلتر کردن گرد و غبار ناشی از کار باشند. قرارگیری طولانی مدت در معرض سر و صدای بلند، میتواند باعث تضعیف قدرت شنوایی شود.

◀ **دقت کنید که سایر افراد، فاصله کافی با محل کار شما داشته باشند.** هر فردی که به محل کار شما نزدیک میشود، موظف است از تجهیزات ایمنی و پوشش محافظ شخصی

برقی مناسب باعث میشود که بتوانید از توان دستگاه بهتر و با اطمینان بیشتر استفاده کنید.

◀ **در صورت ایراد در کلید قطع و وصل ابزار برقی، از دستگاه استفاده نکنید.** هر نوع ابزار برقی که نمی توان آن را با استفاده از کلید قطع و وصل کرد، خطرناک بوده و باید تعمیر شود.

◀ **قبل از تنظیم ابزار برقی، تعویض متعلقات و یا کنار گذاشتن آن، دوشاخه را از برق بکشید و یا باتری آنرا خارج کنید.** رعایت این اقدامات ایمنی پیشگیرانه از روشن شدن ناخواسته ابزار الکتریکی جلوگیری می کند.

◀ **ابزار برقی را در صورت عدم استفاده، از دسترس کودکان دور نگه دارید و اجازة ندهید که افراد ناوارد و یا اشخاصی که این دفترچه راهنما را نخواندهاند، با این دستگاه کار کنند.** قرار گرفتن ابزار برقی در دست افراد ناوارد و بی تجربه خطرناک است.

◀ **از ابزار برقی خوب مراقبت کنید.** مواظب باشید که قسمت های متحرک دستگاه خوب کار کرده و گیر نکنند. همچنین دقت کنید که قطعات ابزار برقی شکسته و یا آسیب دیده نباشند. قطعات آسیب دیده را قبل از شروع به کار تعمیر کنید. علت بسیاری از سوانح کاری، عدم مراقبت کامل از ابزارهای برقی است.

◀ **ابزارهای برش را تیز و تمیز نگه دارید.** ابزار برشی که خوب مراقبت شده و از لبه های تیز برخوردار است، کمتر در قطعه کار گیر کرده و بهتر قابل هدایت است.

◀ **ابزار برقی، متعلقات، متنها، دستگاه و غیره را مطابق دستورالعملهای این جزوه راهنما به کار بگیرید و به شرایط کاری و نوع کار نیز توجه داشته باشید.** استفاده از ابزار برقی برای عملیاتی به جز مقاصد در نظر گرفته شده، میتواند به بروز شرایط خطرناک منجر شود.

سرویس

◀ **برای تعمیر ابزار برقی فقط به متخصصین حرفهای رجوع کنید و از قطعات یدکی اصل استفاده نمایید.** این باعث خواهد شد که ایمنی دستگاه شما تضمین گردد.

توضیحات و هشدارهای ایمنی برای فرزند انگشتی

هشدارهای ایمنی مشترک برای سنبله‌کاری، کار با برسهای سیمی یا پولیش زدن

◀ **این ابزار برقی برای سنگ زنی، کار با برس سیمی یا پولیش کاری در نظر گرفته شده است.** به کلیه هشدارهای ایمنی، دستورالعمل ها، تصاویر و مشخصات ارائه شده به همراه این ابزار برقی توجه کنید. عدم رعایت دستورالعمل های زیر ممکن است باعث برق گرفتگی، آتش سوزی و/یا جراحت شدید شود.

◀ **انجام عملیاتی مانند سنبله زنی یا برش به وسیله این ابزار برقی توصیه نمی شود.** استفاده از این ابزار برقی در انجام کارهایی که برای آنها طراحی نشده است، ممکن است برای شخص خطر و جراحت به دنبال داشته باشد.

- ◀ **ابزار برقی را محکم بگیرید و بدن و بازوی خود را به گونهای قرار دهید که قادر به کنترل و خنثی کردن نیروهای ضربه زننده دستگاه باشید. در صورت در اختیار داشتن دسته کمکی، همواره از آن استفاده کنید تا با کمک آن بتوانید هنگام کارکرد ابزار برقی در سرعت زیاد، حداکثر کنترل را بر نیروهای ضربه زننده و گشتاور واکنشی آن داشته باشید.** کاربرد می‌تواند با رعایت احتیاط و اقدامات ایمنی مناسب بر نیروهای ضربه زننده و نیروهای واکنشی تسلط داشته باشد.
- ◀ **هرگز دست خود را به متعلقات متحرک و در حال چرخش نزدیک نکنید.** زیرا ممکن است ابزار کار متحرک هنگام پس زدن با دست شما اصابت کند.
- ◀ **از نزدیک شدن و تماس با آن قسمت از ابزار برقی که بر اثر پس زدن به حرکت در می‌آید، اجتناب کنید.** ضربه زدن یا پس زدن دستگاه باعث حرکت ابزار در جهت مخالف حرکت صفحه ساب در محلی که بلوکه شده است، میشود.
- ◀ **در گوشه‌ها، لبه‌های تیز و غیره با احتیاط خاص کار کنید. از در رفتن و خارج شدن ابزار و متعلقات از داخل قطعه کار و گیر کردن آنها جلوگیری کنید.** امکان گیر کردن ابزار در حال چرخش خصوصاً در گوشه‌ها و لبه‌های تیز وجود دارد. این امر باعث پس زدن و یا از دست دادن کنترل بر ابزار برقی میشود.
- ◀ **از تیغه اره زنجیری و یا تیغه اره دندانه‌ای استفاده نکنید.** چنین ابزارهایی اغلب باعث پس زدن دستگاه و یا از دست دادن کنترل بر ابزار برقی میشوند.
- ◀ **هشدارهای ایمنی مخصوص عملیات ساییدن برای ابزار برقی خود، فقط از ابزار توصیه شده و حفاظ ایمنی که برای آن ابزار در نظر گرفته شده است، استفاده کنید.** ابزار و متعلقات سایش و برش که برای این ابزار برقی در نظر گرفته نشده‌اند، نمیتوانند به حد کافی تحت حفاظت و کنترل باشند و ایمن نیستند.
- ◀ **صفحات سنگ را طوری نصب کنید که از لبه قاب محافظ صفحه سنگ بیرون نزنند.** صفحه سنگی که به درستی نصب نشده است و از لبه قاب محافظ بیرون زده باشد، نمیتواند به اندازه کافی محفوظ بماند.
- ◀ **صفحه‌های برش باید فقط جهت کاربرد توصیه شده مورد استفاده قرار گیرند. برای مثال: از سطح جانبی یک صفحه برش برای ساییدن استفاده نکنید.** صفحه‌های برش برای برداشتن مواد یا لبه صفحه مناسب هستند، وارد آوردن فشار جانبی بر روی این صفحه‌ها ممکن است منجر به شکستن آنها شود.
- ◀ **همیشه از فلائزهای نگهدارنده (مهره‌های سالم و بدون عیب که اندازه و فرم آنها برای صفحه برش انتخاب شده مناسب است، استفاده کنید.** فلائزهای مناسب باعث حفظ صفحه برش شده و بنابراین خطر شکستن آن را کاهش میدهد. فلائزهای مخصوص صفحه‌های برش می‌توانند با فلائزهای مخصوص صفحه ساب متفاوت باشند.
- ◀ **برخوردار باشد.** امکان پرتاب شدن قطعات شکسته و جدا شده از قطعه کار یا متعلقات شکسته حتی در خارج از محدوده کار نیز وجود دارد و میتواند باعث ایجاد جراحات گردد.
- ◀ **در صورت انجام کارهایی که امکان برخورد با کابلهای حامل جریان برق مخفی وجود دارد، ابزار برقی را از دسته عایق بگیرید.** در صورت برخورد با یک کابل حامل "جریان برق" ممکن است قسمتهای فلزی ابزار برقی حامل "جریان برق" شوند و باعث بروز شوک الکتریکی یا برق گرفتگی گردند.
- ◀ **کابل برق دستگاه را از متعلقات در حال چرخش دور نگه دارید.** در صورت از دست رفتن کنترل دستگاه، ممکن است کابل برق قطع شود یا گیر کند و دست یا ساعد شما به داخل متعلقات در حال چرخش کشیده شود.
- ◀ **ابزار برقی را تنها پس از توقف کامل ابزار روی زمین بگذارید.** متعلقات در حال چرخش میتوانند با سطح تماس پیدا کنند و باعث از دست دادن کنترل روی دستگاه گردد.
- ◀ **هنگام حمل ابزار برقی، دستگاه را خاموش نگه دارید.** در غیر این صورت امکان تماس اتفاقی لباس شما و گیر کردن آن به متعلقات در حال چرخش روی دستگاه وجود داشته و منجر به اصابت ابزار به بدن شما میگردد.
- ◀ **شیارهای تهویه ابزار برقی را به طور مرتب تمیز کنید.** گرد و غبار میتواند از طریق پروانه موتور به داخل محفظه وارد شود و تجمع زیاد براده فلز در آن ممکن است به سوانع و خطرات الکتریکی منجر گردد.
- ◀ **از به کارگیری ابزار الکتریکی در مجاورت مواد قابل اشتعال خودداری کنید.** جرقه‌ها میتوانند باعث اشتعال این مواد شوند.
- ◀ **از متعلقاتی که نیاز به سیال خنک کننده دارند استفاده نکنید.** استفاده از آب و یا سایر مواد خنک کننده مایع میتواند موجب بروز برق گرفتگی شود.
- ◀ **پس زدن دستگاه و هشدارهای ایمنی** ضربه زدن یا پس زدن يك واکنش ناگهانی است که در نتیجه گیر کردن و یا بلوکه شدن ابزار و متعلقات در حال چرخش بر روی ابزار برقی، از جمله صفحه ساب یا صفحه سنگ، یا کفی سنباده، برس سیمی و غیره بوجود می‌آید. بدین ترتیب ابزار برقی از کنترل خارج شده و در نقطه اتصال و خلاف جهت چرخش ابزاری که بر روی آن قرار دارد شتاب می‌گیرد، گیر کردن، انسداد و یا بلوکه شدن منجر به توقف ناگهانی ابزار در حال چرخش روی دستگاه میشود.
- ◀ **بطور مثال در صورتیکه يك صفحه ساب در قطعه کار گیر کرده و یا بلوکه شود، امکان دارد لبه صفحه ساب بشکند و یا منجر به ضربه زدن (پس زدن) شود.** در این صورت صفحه ساب به طرف کاربر و یا در خلاف جهت او، بسته به جهت چرخش آن در محل بلوکه شده، حرکت میکند. امکان شکستن صفحه‌های ساب از این طریق نیز وجود دارد.
- ◀ **ضربه زدن (پس زدن) نتیجه استفاده و بکارگیری نادرست از ابزار برقی است.** با رعایت اقدامات ایمنی مناسب به شبح زیر میتوان از آن جلوگیری بعمل آورد.

- ◀ قبل از خنک شدن صفحات ساب به آنها دست نزنید. صفحات در هنگام کار بسیار داغ میشوند.
- ◀ قطعه کار را محکم کنید. در صورتیکه قطعه کار به وسیله تجهیزات نگهدارنده و یا بوسیله گیره محکم شده باشد، قطعه کار مطمئن تر نگه داشته میشود، تا اینکه بوسیله دست نگهداشته شود.

توضیحات محصول و کارکرد

همه دستورات ایمنی و راهنماییها را بخوانید. اشتباهات ناشی از عدم رعایت این دستورات ایمنی ممکن است باعث برفگرفتگی، سوختگی و یا سایر جراحات های شدید شود.



به تصویرهای واقع در بخشهای اول دفترچه راهنما توجه کنید.

موارد استفاده از دستگاه

ابزار برقی برای ساییدن و پلیسه گرفتن فلزات با سنگ سنباده های کراندوم و همچنین برای کار با سنباده های حلقوی در نظر گرفته شده است. این ابزار برقی جهت برس کاری و پولیش کاری فلزات در نظر گرفته شده است.

تصاویر اجزاء دستگاه

شماره گذاری تصاویر اجزاء دستگاه بر اساس شکل ابزار برقی در صفحه تصاویر است.

- (1) کولت
 - (2) مهره مهار
 - (3) محور سایش
 - (4) گلوبی محور (دارای روکش عایق)
 - (5) کلید روشن/خاموش (/ GGS 30 LS)
(GGS 30 S)
 - (6) چرخک تنظیم انتخاب سرعت
 - (7) دسته (دارای روکش عایق)
 - (8) آچار تخت در محور سایش^a
 - (9) آچار تخت در مهره مهار^a
 - (10) اندازه شفت چراغ L_a
 - (11) کلید روشن/خاموش (GGS 30 LP)
 - (12) قفل ایمنی برای کلید روشن/خاموش (GGS 30 LP)
 - (13) قفل کننده محور دستگاه
- a این قسمت از متعلقات، بطور معمول همراه دستگاه ارائه نمی شود.

◀ صفحههای ساب و برس مستعمل و فرسوده متعلق به ابزار برقی بزرگتر را مورد استفاده قرار ندهید. صفحه متعلق به ابزار برقی بزرگتر برای ابزار برقی کوچکتر به هنگام کار با سرعت بالا، مناسب نیست و استفاده از آن صفحه ممکن است منجر به شکستن آن گردد.

هشدارهای ایمنی مخصوص عملیات پولیشکاری توجه داشته باشید کلاهک پولیش کاری و ریسمانهای اتصال آن آزاد نبوده و بخوبی مهار شده باشند. ریسمانهای اتصال را ببندید و یا آنها را کوتاه کنید. امکان پیچ خوردن ریسمانهای آزاد در حال چرخش حول انگشت شما و یا گیر کردن آنها به قطعه کار وجود دارد.

هشدارهای ایمنی مخصوص کار با برس سیمی توجه داشته باشید که از برسهای سیمی در هنگام استفاده عادی و متعارف نیز قطعات و ذرات سیم جدا میشوند. از اعمال فشار زیاد بر روی سیم های برس خودداری نمایید، ذرات و قطعات سیمی که به هوا پرتاب میشوند، میتوانند به آسانی داخل لباس و یا پوست بدن نفوذ پیدا کنند.

◀ در صورتی که استفاده از حفاظ ایمنی توصیه شده است، از تماس حفاظ ایمنی با برس سیمی جلوگیری کنید. قطر برسهای سیمی مدور تخت و برسهای سیمی کاسه ای میتواند در اثر فشار و نیروهای گریز از مرکز افزایش پیدا کند.

سایر راهنماییهای ایمنی

از عینک ایمنی استفاده کنید.



◀ برای پیدا کردن لوله ها و سیم های پنهان موجود در ساختمان و محدوده کار، از یک دستگاه ردیاب مخصوص برای یافتن لوله ها و سیمهای تأسیسات استفاده کنید و یا با شرکت های کارهای تأسیسات ساختمان و خدمات مربوطه تماس بگیرید. تماس با کابل و سیمهای برق ممکن است باعث آتشسوزی و یا برق گرفتگی شود. ایراد و آسیب دیدگی لوله گاز میتواند باعث انفجار شود. سوراخ شدن لوله آب، باعث خسارت و یا برق گرفتگی میشود.

◀ چنانچه جریان برق قطع شود و یا دوشاخه اتصال کابل برق دستگاه از داخل پرز برق بیرون کشیده شود، در آنصورت قفل کلید قطع و وصل را آزاد کنید و کلید قطع و وصل را در موقعیت خاموش قرار بدهید. این اقدام از روشن شدن مجدد بدون کنترل و ناخواسته جلوگیری بعمل می آورد.

مشخصات فنی

GGG 30 S	GGG 30 LPS	GGG 30 LS	فرز انگشتی
3 601 BB5 1..	3 601 BB5 2..	3 601 BB5 0..	شماره فنی
750	750	750	توان ورودی نامی
400	400	400	توان خروجی

فرز انگشتی			
GG5 30 S	GG5 30 LPS	GG5 30 LS	
33000	33000	33000	min ⁻¹
7000-33000	7000-33000	7000-33000	min ⁻¹
8	8	8	mm
محل آچار روی			
17	17	17	mm
15	15	15	mm
43	43	43	mm
45	50	50	mm
10	10	10	mm
35	35	35	mm
•	•	•	
•	•	•	
•	•	•	
•	•	•	
•	•	•	
1,5	1,8	1,7	kg
II/□	II/□	II/□	

(A) وزن بدون کابل اتصال برق و بدون دوشاخه برق مقادیر برای ولتاژ نامی [U] 230 ولت میباشند. برای ولتاژهای مختلف و تولیدات مخصوص کشورها، ممکن است این مقادیر، متفاوت باشند. مقادیر ممکن است بسته به محصول متفاوت باشند و بستگی به شرایط استفاده و محیطی دارند. اطلاعات بیشتر را در سایت www.bosch-professional.com/wac مشاهده نمایید.

نصب

◀ پیش از انجام هرگونه کاری بر روی ابزار الکتریکی، دوشاخه اتصال آنرا از داخل پریز برق بیرون بکشید.

نصب ابزار ساب توسط آچار تخت و قفل کننده محور دستگاه (رجوع کنید به تصویر A)

◀ تنها از یک آچار تخت متناسب و بدون آسیب دیدگی استفاده کنید (رجوع کنید به „مشخصات فنی“).

– محور سایش (3) و همه قطعات نصب شده را تمیز کنید.

– قفل کننده محور دستگاه (13) را فشار دهید و مهره مهر (2) را با دست چرخانید تا قفل شود.

– قفل کننده محور را فشار داده و نگه دارید و مهره مهر (2) را توسط آچار تخت (9) با چرخش خلاف جهت عقربه ساعت باز کنید.

– شفت مهر ابزار ساب را تا انتها در کولت (1) قرار دهید.

– قفل کننده محور دستگاه (13) را فشار دهید و ابزار مورد استفاده را توسط آچار تخت (9) روی محل آچار با چرخاندن در جهت عقربه ساعت محکم کنید.

ابزار سائیدن (سنگ سنباده) باید بدون هیچگونه نقص و ایرادی چرخش داشته باشند. از استفاده از ابزار سایش غیر مدور خودداری کرده و اینگونه ابزار را تعویض نمائید.

◀ کولت همراه با مهره کلاهی به هیچ عنوان بدون نصب بودن ابزار ساب، سفت نکنید.

مهره کلاهی (کولت) ممکن است آسیب ببیند.

◀ تنها از ابزارهای ساب انگشتی با قطر شفت مناسب استفاده کنید. یک ابزار ساب انگشتی که قطر شفت آن به ابزارگیر ابزاری برقی متناسب نیست (رجوع کنید به „مشخصات فنی“) درست نگهداشته نمی شود و به کولت آسیب می زند.

◀ ابزار باید حداقل 10 میلیمتر مهر شود. توسط اندازه ی شفت L₀ می توان حداکثر سرعت مجاز ابزار را از اطلاعات تولید کننده ی ابزار بدست آورد. این اندازه نباید کمتر از حداکثر سرعت ابزار برقی باشد.

نصب ابزارهای ساب توسط دو آچار تخت (رجوع کنید به تصویر B)

◀ تنها از یک آچار تخت متناسب و بدون آسیب دیدگی استفاده کنید (رجوع کنید به „مشخصات فنی“).

– محور دستگاه (3) و سایر قطعات را تمیز کنید.

– محور دستگاه (3) را با یک آچار تخت (8) از محل آچار محکم بگیرید.

– مهره مهر (2) را با آچار تخت (9) از محل آچار با چرخاندن در خلاف جهت عقربه های ساعت شل کنید.

– شفت مهر ابزار ساب را تا انتها در کولت (1) قرار دهید.

– محور دستگاه (3) را با یک آچار تخت (8) از محل آچار محکم بگیرید و ابزار را با یک آچار تخت (9) از

جهت **تثبیت** کلید روشن/خاموش (5) کلید روشن/خاموش (5) از از جلو به پایین بکشید تا جا بیفتد. برای **خاموش کردن** ابزار برقی کلید روشن/خاموش (5) را رها کنید یا اگر قفل است، کلید روشن/خاموش (5) را از پشت کوتاه به پایین برانید و بعد آن را رها کنید.

روشن/خاموش کردن

GGG 30 LPS

جهت **راه اندازی** ابزار برقی، ابتدا قفل ایمنی کلید روشن/خاموش (12) را به عقب هدایت کنید و سپس کلید روشن/خاموش (11) را فشرده نگه دارید.

برای **خاموش کردن** ابزار برقی، کلید روشن/خاموش (11) را رها کنید.

تثبیت کننده الکترونیکی

کنترل و تثبیت کننده الکترونیکی، سرعت چرخش را در حالت آزاد و در حال کاربرد دستگاه تقریباً ثابت نگاه داشته و این عمل کار کرد منظم دستگاه را تضمین میکند.

انتخاب سرعت

با چرخک تنظیم انتخاب سرعت (6) می توان سرعت لازم را حتی هنگام عملکرد انتخاب کرد. میزان سرعت مورد نظر به جنس قطعه کار و همچنین قطر ابزار مورد استفاده بستگی دارد. حداکثر سرعت مجاز ابزار مورد استفاده را رعایت کنید.

GGG 30 LS/GGG 30 LPS

در حداکثر سرعت، حداکثر قطر مجاز متعلقات 40 mm است.

GGG 30 S

در حداکثر سرعت، حداکثر قطر مجاز متعلقات 45 mm است.

اگر از متعلقاتی با قطر 50 mm استفاده می کنید، اطمینان حاصل کنید که سرعت بیش از 30000 min⁻¹ نشود.

موقعیت چرخک تنظیم	سرعت در حالت آزاد (min ⁻¹)
1	7000
2	9500
3	15000
4	19000
5	25000
6	33000

متوقف کننده ضربه زن (سیستم جلوگیری از پس زدن)

در صورت پس زدن ابزار برقی به عقب مثلاً بلوکه شدن در محل فرزکاری، جریان برق ابزار برقی به طور الکترونیکی قطع می گردد.



برای **راه اندازی مجدد** روشن/خاموش (5) (11) را در موقعیت خاموش قرار داده و ابزار برقی را دوباره روشن کنید.

طرف مهره مهار با چرخاندن در جهت عقربه های ساعت سفت کنید. ابزار سائیدن (سنگ سنباده) باید بدون هیچگونه نقص و ایرادی چرخش داشته باشند. از استفاده از ابزار سایش غیر مدور خودداری کرده و اینگونه ابزار را تعویض نمایید.

◀ **کولت همراه با مهره کلاهی به هیچ عنوان بدون نصب بودن ابزار ساب، سفت نکنید.**

مهره کلاهی (کولت) ممکن است آسیب ببیند.

◀ **تنها از ابزارهای ساب انگشتی با قطر شفت مناسب استفاده کنید.**

یک ابزار ساب انگشتی که قطر شفت آن به ابزارگیر ابزار برقی متناسب نیست (رجوع کنید به «مشخصات فنی») درست نگهداشته نمی شود و به کولت آسیب می زند.

◀ **ابزار باید حداقل 10 میلیمتر مهار شود.** توسط اندازه ی شفت ۱۰ می توان حداکثر سرعت مجاز ابزار را از اطلاعات تولید کننده ی ابزار بدست آورد. این اندازه نباید کمتر از حداکثر سرعت ابزار برقی باشد.

مکش گرد، براده و تراشه

گرد و غبار موادی مانند رنگ های دارای سرب، بعضی از چوب ها، مواد معدنی و فلزات میتوانند برای سلامتی مضر باشند. دست زدن و یا تنفس کردن گرد و غبار ممکن است باعث بروز آلرژی و یا بیماری مجاری تنفسی شخص استفاده کننده و یا افرادی که در آن نزدیکی میباشند، بشود.

گرد و غبارهای مخصوصی مانند گرد و غبار درخت بلوط و یا درخت راش سرطان زا هستند، بخصوص ترکیب آنها با سایر موادی که برای کار بر روی چوب (کرومات، مواد برای محافظت از چوب) بکار برده میشوند. فقط افراد متخصص مجازند با موادی که دارای آزیست میباشند کار کنند.

– توجه داشته باشید که محل کار شما از تهویه هوای کافی برخوردار باشد.

– توصیه میشود از ماسک تنفسی ایمنی با درجه فیلتر P2 استفاده کنید.

به قوانین و مقررات معتبر در کشور خود در رابطه با استفاده از مواد و قطعات کاری توجه کنید.

◀ **از تجمع گرد و غبار در محل کار جلوگیری کنید.** گرد و غبار می توانند به آسانی مشتعل شوند.

طرز کار با دستگاه

راه اندازی و نحوه کاربرد دستگاه

◀ **به ولتاژ برق شبکه توجه کنید!** ولتاژ منبع جریان برق باید با مقادیر موجود بر روی برچسب ابزار الکتریکی مطابقت داشته باشد.

◀ **قبل از هر بار استفاده، کنترل کنید که کولت (1) و مهره مهار (2) بدون آسیب دیدگی باشند.**

روشن/خاموش کردن

GGG 30 LS/GGG 30 S

جهت **راه اندازی** ابزار برقی، کلید روشن/خاموش (5) را به سمت جلو فشار دهید.

لطفاً ابزار و متعلقات دستگاه را به دقت محافظت و به خوبی نگهداری کنید.

در صورت نیاز به یک کابل پدکی برای اتصال به شبکه برق، بایستی به شرکت **Bosch** و یا به نمایندگی مجاز **Bosch** (خدمات پس از فروش) برای ابزار آلات برقی مراجعه کنید تا از بروز خطرات ایمنی جلوگیری بعمل آید.

خدمات و مشاوره با مشتریان

دفتر خدمات پس از فروش به سئوالات شما در باره تعمیرات، سرویس و همچنین قطعات پدکی و متعلقات پاسخ خواهد داد. تصاویر و اطلاعات در باره قطعات پدکی و متعلقات را میتوانید در سایت نامبرده زیر جستجو نمایید: www.bosch-pt.com
تیم مشاوره Bosch شما را در مورد سؤالاتان نسبت به محصولات و متعلقات ما حمایت می کند. برای هرگونه سوال و یا سفارش ابزار پدکی و متعلقات، حتماً شماره فنی ده رقمی کالا را مطابق برچسب روی ابزار برقی اطلاع دهید.

ایران

روبرت بوش ایران - شرکت بوش تجارت پارس
میدان ونک، خیابان شهید خدای، خیابان آفتاب
ساختمان مادیران، شماره 3، طبقه سوم.
تهران 1994834571
تلفن: 9821 42039000

سایر اطلاعات مربوط به خدمات را اینجا می یابید:

www.bosch-pt.com/serviceaddresses

از رده خارج کردن دستگاه

ابزار برقی، متعلقات و بسته بندی آن، باید طبق مقررات حفظ محیط زیست از رده خارج و بازیافت شوند.

ابزارهای برقی را داخل زباله دان خانگی نیاندازید!



حفاظت جلوگیری از روشن شدن مجدد

محافظت استارت مجدد، از شروع به کار کنترل نشده ابزار برقی پس از قطع جریان برق جلوگیری می کند. برای راه اندازی مجدد کلید روشن/خاموش (5)/(11) را در موقعیت خاموش قرار داده و ابزار برقی را دوباره روشن کنید.

نکته: هنگام خاموش/روشن کردن سریع ممکن است محافظ استارت مجدد فعال شود و ابزار برقی با وجود فعال بودن کلید روشن/خاموش (5)/(11) کار نکند. کلید روشن/خاموش (5)/(11) را در موقعیت خاموش قرار داده و ابزار برقی را دوباره روشن کنید.

استارت آهسته الکترونیکی

استارت آهسته الکترونیکی، گشتاور را به هنگام روشن کردن محدود می سازد و این باعث افزایش طول عمر موتور می شود.

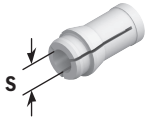
راهنمایی های عملی

- ◀ پیش از انجام هرگونه کاری بر روی ابزار الکتریکی، دوشاخه اتصال آنرا از داخل پریز برق بیرون بکشید.
 - ◀ ابزارهای سایش را در برابر ضربه مصون نگهدارید.
 - ◀ ابزار برقی را زیاد زیر فشار قرار ندهید که متوقف شود.
 - ◀ بگذارید ابزار برقی پس از زیر بار بودن شدید، چند دقیقه بدون بار کار کند تا ابزار برقی خنک شود.
 - ◀ سنگ سنباده هنگام کار بسیار داغ می شود. قبل از خنک شدن صفحات ساب، به آنها دست نزنید.
- برای دستیابی به نتیجه کار ایده آل، باید سنگ سنباده را تحت فشار آهسته و حرکت یکنواخت به طرف جلو و عقب حرکت دهید. فشار زیاد توان ابزار برقی را کاهش می دهد و منجر به فرسایش سریع سنگ سنباده می گردد.

مراقبت و سرویس

مراقبت، تعمیر و تمیز کردن دستگاه

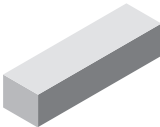
- ◀ پیش از انجام هرگونه کاری بر روی ابزار الکتریکی، دوشاخه اتصال آنرا از داخل پریز برق بیرون بکشید.
- ◀ ابزار برقی و شیارهای تهویه را همواره تمیز نگهدارید تا بتوان بخوبی و با اطمینان کار کرد.
- ◀ در صورت شرایط کاری بسیار سخت در صورت امکان همواره از یک سیستم مکنده استفاده کنید. تمیز کردن مکرر شیارهای تهویه از طریق دمش فشار هوا و کلید محافظ (PRCD) جریان خطا و نشستی زمین (کلید قطع کننده اتصال با زمین) را روشن کنید. هنگام کار با فلزات، امکان تجمع گرد فلزات که هادی می باشد در قسمت های داخلی ابزار برقی وجود دارد. امکان آسیب دیدن و از بین رفتن محافظ روکش عایق ابزار برقی وجود دارد.



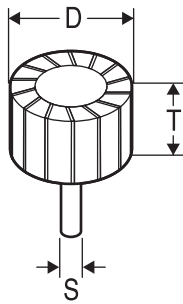
S	
3 mm	2 608 570 082
1/8"	2 608 570 083
6 mm	2 608 570 084
1/4"	2 608 570 085
8 mm	2 608 570 086



M15	2 608 570 141 (19 mm)
-----	-----------------------



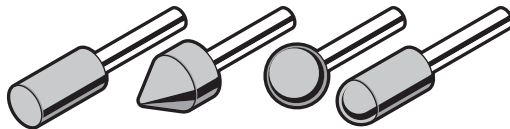
1 607 929 000



S	D	T	min ⁻¹	
6 mm	15 mm	30 mm	36 000	2 608 620 035



blue: Metal
top



Legal Information and Licenses

Copyright © 2020, Microchip Technology Inc. and its subsidiaries ("Microchip")

All rights reserved.

This software is developed by Microchip Technology Inc. and its subsidiaries ("Microchip").

Redistribution and use in source and binary forms, with or without modification, are permitted provided that the following conditions are met:

- Redistributions of source code must retain the above copyright notice, this list of conditions and the following disclaimer.
- Redistributions in binary form must reproduce the above copyright notice, this list of conditions and the following disclaimer in the documentation and/or other materials provided with the distribution.
- Microchip's name may not be used to endorse or promote products derived from this software without specific prior written permission.

THIS SOFTWARE IS PROVIDED BY MICROCHIP "AS IS" AND ANY EXPRESS OR IMPLIED WARRANTIES, INCLUDING, BUT NOT LIMITED TO, THE IMPLIED WARRANTIES OF MERCHANTABILITY AND FITNESS FOR PURPOSE ARE DISCLAIMED. IN NO EVENT SHALL MICROCHIP BE LIABLE FOR ANY DIRECT, INDIRECT, INCIDENTAL, SPECIAL, EXEMPLARY, OR CONSEQUENTIAL DAMAGES (INCLUDING BUT NOT LIMITED TO PROCUREMENT OF SUBSTITUTE GOODS OR SERVICES; LOSS OF USE, DATA OR PROFITS; OR BUSINESS INTERRUPTION) HOWEVER CAUSED AND ON ANY THEORY OF LIABILITY, WHETHER IN CONTRACT, STRICT LIABILITY, OR TORT (INCLUDING NEGLIGENCE OR OTHERWISE) ARISING IN ANY WAY OUT OF THE USE OF THIS SOFTWARE, EVEN IF ADVISED OF THE POSSIBILITY OF SUCH DAMAGE.

Warranty Disclaimer

This product contains Open Source Software components which underly Open Source Software Licenses. Please note that Open Source Licenses contain disclaimer clauses. The text of the Open Source Licenses that apply are included in this manual under "Legal Information and Licenses".