

Robert Bosch Power Tools GmbH
70538 Stuttgart
GERMANY

www.bosch-pt.com

1 609 92A 2GT (2015.05) 0 / 46 ASIA



1 609 92A 2GT

GBM 1000 Professional



en Original instructions
fr Notice originale
pt Manual original
cn 正本使用说明书
tw 原始使用說明書
ko 사용 설명서 원본

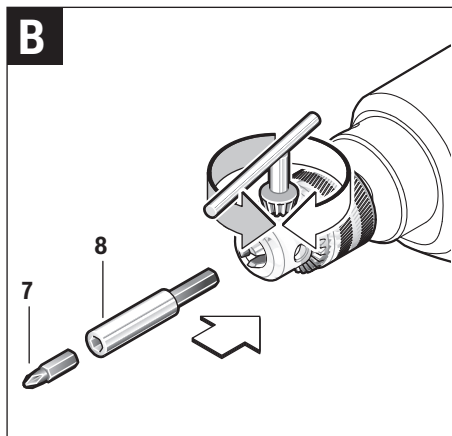
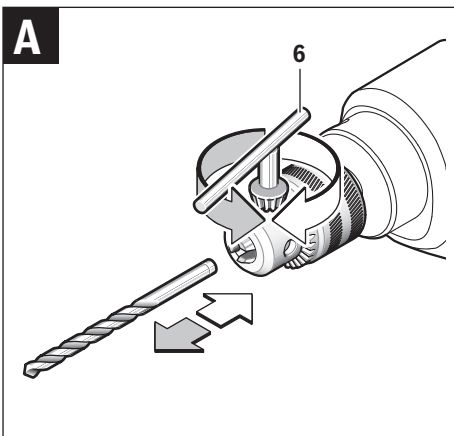
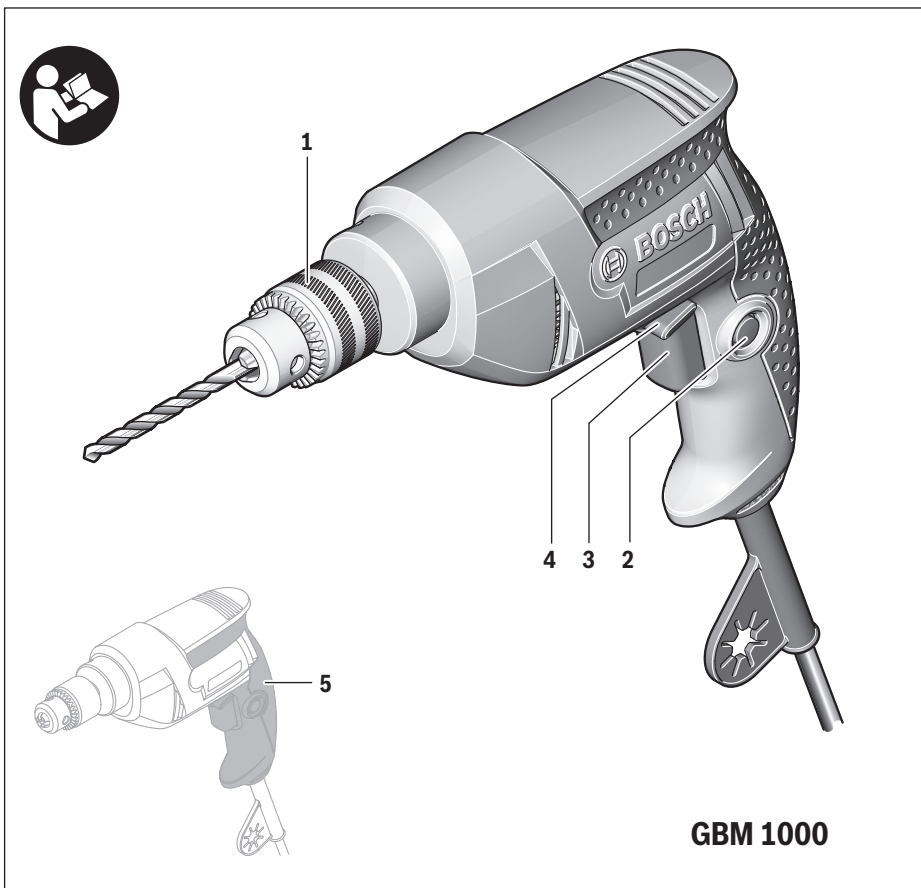
th หนังสือคู่มือการใช้งานฉบับต้นแบบ
id Petunjuk-Petunjuk untuk Penggunaan Orisinal
vi Bản gốc hướng dẫn sử dụng
ar تعليمات التشغيل الأصلية
fa دفترچه راهنمای اصلی





English	Page 4
Français	Page 9
Português	Página 13
中文	页 17
中文	頁 20
한국어	페이지 22
ภาษาไทย	หน้า 26
Bahasa Indonesia	Halaman 29
Tiếng Việt	Trang 33
عربي	صفحة 40
فارسی	صفحه 44





English

Safety Notes

General Power Tool Safety Warnings

⚠ WARNING Read all safety warnings and all instructions. Failure to follow the warnings and instructions may result in electric shock, fire and/or serious injury.

Save all warnings and instructions for future reference.

The term "power tool" in the warnings refers to your mains-operated (corded) power tool or battery-operated (cordless) power tool.

Work area safety

- ▶ **Keep work area clean and well lit.** Cluttered or dark areas invite accidents.
- ▶ **Do not operate power tools in explosive atmospheres, such as in the presence of flammable liquids, gases or dust.** Power tools create sparks which may ignite the dust or fumes.
- ▶ **Keep children and bystanders away while operating a power tool.** Distractions can cause you to lose control.

Electrical safety

- ▶ **Power tool plugs must match the outlet. Never modify the plug in any way. Do not use any adapter plugs with earthed (grounded) power tools.** Unmodified plugs and matching outlets will reduce risk of electric shock.
- ▶ **Avoid body contact with earthed or grounded surfaces, such as pipes, radiators, ranges and refrigerators.** There is an increased risk of electric shock if your body is earthed or grounded.
- ▶ **Do not expose power tools to rain or wet conditions.** Water entering a power tool will increase the risk of electric shock.
- ▶ **Do not abuse the cord. Never use the cord for carrying, pulling or unplugging the power tool. Keep cord away from heat, oil, sharp edges and moving parts.** Damaged or entangled cords increase the risk of electric shock.
- ▶ **When operating a power tool outdoors, use an extension cord suitable for outdoor use.** Use of a cord suitable for outdoor use reduces the risk of electric shock.
- ▶ **If operating a power tool in a damp location is unavoidable, use a residual current device (RCD) protected supply.** Use of an RCD reduces the risk of electric shock.

Personal safety

- ▶ **Stay alert, watch what you are doing and use common sense when operating a power tool. Do not use a power tool while you are tired or under the influence of drugs, alcohol or medication.** A moment of inattention while operating power tools may result in serious personal injury.
- ▶ **Use personal protective equipment. Always wear eye protection.** Protective equipment such as dust mask, non-skid safety shoes, hard hat, or hearing protection used for appropriate conditions will reduce personal injuries.

- ▶ **Prevent unintentional starting. Ensure the switch is in the off-position before connecting to power source and/or battery pack, picking up or carrying the tool.** Carrying power tools with your finger on the switch or energising power tools that have the switch on invites accidents.
- ▶ **Remove any adjusting key or wrench before turning the power tool on.** A wrench or a key left attached to a rotating part of the power tool may result in personal injury.
- ▶ **Do not overreach. Keep proper footing and balance at all times.** This enables better control of the power tool in unexpected situations.
- ▶ **Dress properly. Do not wear loose clothing or jewellery. Keep your hair, clothing and gloves away from moving parts.** Loose clothes, jewellery or long hair can be caught in moving parts.
- ▶ **If devices are provided for the connection of dust extraction and collection facilities, ensure these are connected and properly used.** Use of dust collection can reduce dust-related hazards.

Power tool use and care

- ▶ **Do not force the power tool. Use the correct power tool for your application.** The correct power tool will do the job better and safer at the rate for which it was designed.
- ▶ **Do not use the power tool if the switch does not turn it on and off.** Any power tool that cannot be controlled with the switch is dangerous and must be repaired.
- ▶ **Disconnect the plug from the power source and/or the battery pack from the power tool before making any adjustments, changing accessories, or storing power tools.** Such preventive safety measures reduce the risk of starting the power tool accidentally.
- ▶ **Store idle power tools out of the reach of children and do not allow persons unfamiliar with the power tool or these instructions to operate the power tool.** Power tools are dangerous in the hands of untrained users.
- ▶ **Maintain power tools. Check for misalignment or binding of moving parts, breakage of parts and any other condition that may affect the power tool's operation. If damaged, have the power tool repaired before use.** Many accidents are caused by poorly maintained power tools.
- ▶ **Keep cutting tools sharp and clean.** Properly maintained cutting tools with sharp cutting edges are less likely to bind and are easier to control.
- ▶ **Use the power tool, accessories and tool bits etc. in accordance with these instructions, taking into account the working conditions and the work to be performed.** Use of the power tool for operations different from those intended could result in a hazardous situation.

Service

- ▶ **Have your power tool serviced by a qualified repair person using only identical replacement parts.** This will ensure that the safety of the power tool is maintained.

Safety Warnings for Drills and Screwdrivers

- ▶ **Use auxiliary handle(s), if supplied with the tool.** Loss of control can cause personal injury.
- ▶ **Hold power tool by insulated gripping surfaces, when performing an operation where the cutting accessory may contact hidden wiring or its own cord.** Cutting accessory contacting a "live" wire may make exposed metal parts of the power tool "live" and could give the operator an electric shock.
- ▶ **Use suitable detectors to determine if utility lines are hidden in the work area or call the local utility company for assistance.** Contact with electric lines can lead to fire and electric shock. Damaging a gas line can lead to explosion. Penetrating a water line causes property damage or may cause an electric shock.
- ▶ **Switch off the power tool immediately when the tool insert jams. Be prepared for high reaction torque that can cause kickback.** The tool insert jams when:
 - the power tool is subject to overload or
 - it becomes wedged in the workpiece.
- ▶ **Hold the machine with a firm grip.** High reaction torque can briefly occur while driving in and loosening screws.
- ▶ **When working with the machine, always hold it firmly with both hands and provide for a secure stance.** The power tool is guided more secure with both hands.
- ▶ **Secure the workpiece.** A workpiece clamped with clamping devices or in a vice is held more secure than by hand.
- ▶ **Always wait until the machine has come to a complete stop before placing it down.** The tool insert can jam and lead to loss of control over the power tool.

Products sold in GB only: Your product is fitted with a BS 1363/A approved electric plug with internal fuse (ASTA approved to BS 1362).

If the plug is not suitable for your socket outlets, it should be cut off and an appropriate plug fitted in its place by an authorised customer service agent. The replacement plug should have the same fuse rating as the original plug.

The severed plug must be disposed of to avoid a possible shock hazard and should never be inserted into a mains socket elsewhere.

Products sold in AUS and NZ only: Use a residual current device (RCD) with a rated residual current of 30 mA or less.

Product Description and Specifications



Read all safety warnings and all instructions. Failure to follow the warnings and instructions may result in electric shock, fire and/or serious injury.

While reading the operating instructions, unfold the graphics page for the machine and leave it open.

Intended Use

The machine is intended for drilling in wood, metal, ceramic and plastic. Machines with electronic control and right and left rotation are also suitable for screwdriving and tapping.

Product Features

The numbering of the product features refers to the illustration of the machine on the graphics page.

- 1 Key type drill chuck
- 2 Lock-on button for On/Off switch
- 3 On/Off switch
- 4 Rotational direction switch
- 5 Handle (insulated gripping surface)
- 6 Chuck key
- 7 Screwdriver bit*
- 8 Universal bit holder*

*Accessories shown or described are not part of the standard delivery scope of the product. A complete overview of accessories can be found in our accessories program.

Technical Data

Rotary drill	GBM 1000	
Article number		3 601 AA9 0..
Rated power input	W	350
Output power	W	160
No-load speed	min ⁻¹	0 – 2800
Rated speed	min ⁻¹	0 – 2000
Speed control		●
Right/left rotation		●
Chuck clamping range	mm	1 – 10
Max. drilling dia.		
– Steel	mm	10
– Wood	mm	20
– Aluminium	mm	13
Weight according to EPTA-Procedure 01:2014	kg	1.2
Protection class		□/II

The values given are valid for a nominal voltage [U] of 230 V. For different voltages and models for specific countries, these values can vary.

Noise/Vibration Information

Sound emission values determined according to EN 60745-2-1.

Typically the A-weighted noise levels of the product are: Sound pressure level 81 dB(A); Sound power level 92 dB(A). Uncertainty K = 3 dB.

Wear hearing protection!

Vibration total values a_h (triax vector sum) and uncertainty K determined according to EN 60745-2-1:

Drilling into metal: $a_h = 5.2 \text{ m/s}^2$, $K = 1.5 \text{ m/s}^2$

Screwdriving without impact: $a_h < 2.5 \text{ m/s}^2$, $K = 1.5 \text{ m/s}^2$

6 | English

The vibration level given in this information sheet has been measured in accordance with a standardised test given in EN 60745 and may be used to compare one tool with another. It may be used for a preliminary assessment of exposure. The declared vibration emission level represents the main applications of the tool. However if the tool is used for different applications, with different accessories or insertion tools or is poorly maintained, the vibration emission may differ. This may significantly increase the exposure level over the total working period.

An estimation of the level of exposure to vibration should also take into account the times when the tool is switched off or when it is running but not actually doing the job. This may significantly reduce the exposure level over the total working period.

Identify additional safety measures to protect the operator from the effects of vibration such as: maintain the tool and the accessories, keep the hands warm, organisation of work patterns.

Only for EC countries:**Declaration of Conformity** 

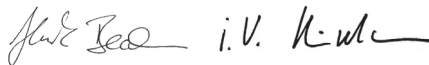
We declare under our sole responsibility that the product described under "Technical Data" is in conformity with all relevant provisions of the directives 2011/65/EU, until 19 April 2016: 2004/108/EC, from 20 April 2016 on: 2014/30/EU, 2006/42/EC including their amendments and complies with the following standards: EN 60745-1, EN 60745-2-1, EN 60745-2-2, EN 50581.

Technical file (2006/42/EC) at:

Robert Bosch Power Tools GmbH, PT/ETM9,
70538 Stuttgart, GERMANY

Henk Becker
Executive Vice President
Engineering

Helmut Heinzelmann
Head of Product Certification
PT/ETM9



Robert Bosch Power Tools GmbH
70538 Stuttgart, GERMANY
Stuttgart, 01.01.2017

Assembly**Changing the Tool (see figure A)**

- ▶ **Before any work on the machine itself, pull the mains plug.**

Open the key type drill chuck **1** by turning until the tool can be inserted. Insert the tool.

Insert the chuck key **6** into the corresponding holes of the key type drill chuck **1** and clamp the tool uniformly.

Screwdriver Tools (see figure B)

When working with screwdriver bits **7**, a universal bit holder **8** should always be used. Use only screwdriver bits that fit the screw head.

Replacing the Drill Chuck

For machines without spindle lock, the drill chuck must be replaced through an authorized after-sales service agent for Bosch power tools.



The drill chuck must be tightened with a tightening torque of approx. 25 – 30 Nm.

Dust/Chip Extraction

- ▶ Dusts from materials such as lead-containing coatings, some wood types, minerals and metal can be harmful to one's health. Touching or breathing-in the dusts can cause allergic reactions and/or lead to respiratory infections of the user or bystanders.
 - Certain dusts, such as oak or beech dust, are considered as carcinogenic, especially in connection with wood-treatment additives (chromate, wood preservative). Materials containing asbestos may only be worked by specialists.
 - Provide for good ventilation of the working place.
 - It is recommended to wear a P2 filter-class respirator.

Observe the relevant regulations in your country for the materials to be worked.

- ▶ **Prevent dust accumulation at the workplace.** Dusts can easily ignite.

Operation**Starting Operation**

- ▶ **Observe correct mains voltage! The voltage of the power source must agree with the voltage specified on the nameplate of the machine. Power tools marked with 230 V can also be operated with 220 V.**

Reversing the rotational direction

- ▶ **Actuate the rotational direction switch 4 only when the machine is at a standstill.**

The rotational direction switch **4** is used to reverse the rotational direction of the machine. However, this is not possible with the On/Off switch **3** actuated.

Right Rotation: For drilling and driving in screws, push the rotational direction switch **4** left to the stop.

Left Rotation: For loosening and unscrewing screws and nuts, press the rotational direction switch **4** through to the right stop.

Switching On and Off

To **start** the machine, press the On/Off switch **3** and keep it pressed.

To lock the **pressed** On/Off switch **3**, press the lock-on button **2**.

To save energy, only switch the power tool on when using it.

To **switch off** the machine, release the On/Off switch **3**.

Adjusting the Speed

The speed of the switched-on power tool can be variably adjusted, depending on how far the On/Off switch **3** is pressed.

Light pressure on the On/Off switch **3** results in a low rotational speed. Further pressure on the switch results in an increase in speed.

Working Advice

- ▶ **Apply the power tool to the screw/nut only when it is switched off.** Rotating tool inserts can slip off.

After longer periods of working at low speed, allow the machine to cool down by running it for approx. 3 minutes at maximum speed with no load.

For drilling in metal, use only perfectly sharpened HSS drill bits (HSS = high-speed steel). The appropriate quality is guaranteed by the Bosch accessories program.

Before screwing larger, longer screws into hard materials, it is advisable to predrill a pilot hole with the core diameter of the thread to approx. $\frac{2}{3}$ of the screw length.

Maintenance and Service

Maintenance and Cleaning

- ▶ **Before any work on the machine itself, pull the mains plug.**
- ▶ **For safe and proper working, always keep the machine and ventilation slots clean.**

If the replacement of the supply cord is necessary, this has to be done by Bosch or an authorized Bosch service agent in order to avoid a safety hazard.

After-sales Service and Application Service

Our after-sales service responds to your questions concerning maintenance and repair of your product as well as spare parts. Exploded views and information on spare parts can also be found under:

www.bosch-pt.com

Bosch's application service team will gladly answer questions concerning our products and their accessories.

In all correspondence and spare parts orders, please always include the 10-digit article number given on the nameplate of the product.

People's Republic of China

China Mainland

Bosch Power Tools (China) Co., Ltd.
567, Bin Kang Road
Bin Jiang District 310052
Hangzhou, P. R. China
Service Hotline: 4008268484
Fax: (0571) 87774502
E-Mail: contact.ptcn@cn.bosch.com
www.bosch-pt.com.cn

HK and Macau Special Administrative Regions

Robert Bosch Hong Kong Co. Ltd.
21st Floor, 625 King's Road
North Point, Hong Kong
Customer Service Hotline: +852 2101 0235
Fax: +852 2590 9762
E-Mail: info@hk.bosch.com
www.bosch-pt.com.hk

Indonesia

PT Robert Bosch
Palma Tower 10th Floor
Jl. RA Kartini II-S Kaveling 6 Sek II
Pondok Pinang, Kebayoran Lama
Jakarta Selatan 12310
Indonesia
Tel.: (021) 3005 5800
Fax: (021) 3005 5801
E-Mail: boschpowertools@id.bosch.com
www.bosch-pt.co.id

Philippines

Robert Bosch, Inc.
28th Floor Fort Legend Towers,
3rd Avenue corner 31st Street,
Fort Bonifacio Global City,
1634 Taguig City, Philippines
Tel.: (02) 8703871
Fax: (02) 8703870
matheus.contiero@ph.bosch.com
www.bosch-pt.com.ph

Bosch Service Center:
9725-27 Kamagong Street
San Antonio Village
Makati City, Philippines
Tel.: (02) 8999091
Fax: (02) 8976432
rosalie.dagdagan@ph.bosch.com

Malaysia

Robert Bosch (S.E.A.) Sdn. Bhd.
No. 8A, Jalan 13/6
G.P.O. Box 10818
46200 Petaling Jaya
Selangor, Malaysia
Tel.: (03) 79663194
Fax: (03) 79583838
cheehoe.on@my.bosch.com
Toll-Free: 1800 880188
www.bosch-pt.com.my

8 | English**Thailand**

Robert Bosch Ltd.
 Liberty Square Building
 No. 287, 11 Floor
 Silom Road, Bangrak
 Bangkok 10500
 Tel.: 02 6393111
 Fax: 02 2384783
 Robert Bosch Ltd., P. O. Box 2054
 Bangkok 10501, Thailand
 www.bosch.co.th

Bosch Service – Training Centre
 La Salle Tower Ground Floor Unit No.2
 10/11 La Salle Moo 16
 Srinakharin Road
 Bangkaew, Bang Plee
 Samutprakarn 10540
 Thailand
 Tel.: 02 7587555
 Fax: 02 7587525

Singapore

Robert Bosch (SEA) Pte. Ltd.
 11 Bishan Street 21
 Singapore 573943
 Tel.: 6571 2772
 Fax: 6350 5315
 leongheng.leow@sg.bosch.com
 Toll-Free: 1800 3338333
 www.bosch-pt.com.sg

Vietnam

Robert Bosch Vietnam Co. Ltd
 13th Floor , 194 Golden Building
 473 Dien Bien Phu Street
 Ward 25, Binh Thanh District
 84 Ho Chi Minh City
 Vietnam
 Tel.: (08) 6258 3690
 Fax: (08) 6258 3692
 Hotline: (08) 6250 8555
 E-Mail: tuvankhachhang-pt@vn.bosch.com
 www.bosch-pt.com.vn
 www.baohanhbosch-pt.com.vn

Australia, New Zealand and Pacific Islands

Robert Bosch Australia Pty. Ltd.
 Power Tools
 Locked Bag 66
 Clayton South VIC 3169
 Customer Contact Center
 Inside Australia:
 Phone: (01300) 307044
 Fax: (01300) 307045
 Inside New Zealand:
 Phone: (0800) 543353
 Fax: (0800) 428570
 Outside AU and NZ:
 Phone: +61 3 95415555
 www.bosch-pt.com.au
 www.bosch-pt.co.nz

Egypt

Unimar
 20 Markaz kadmat
 El tagmoa EL Aoul – New Cairo
 Tel: +2 02 224 76091 - 95 / + 2 02 224 78072 - 73
 Fax: +2 02 224 78075
 E-Mail: adelzaki@unimaregypt.com

Ethiopia

Forever plc
 Kebele 2,754, BP 4806,
 Addis Ababa , Ethiopia
 Tel: +251 111 560 600, +251 111 560 600
 E-Mail: foreverplc@ethionet.et

Nigeria

C. Woermann Ltd.
 P.O. Box 318
 6, Badejo Kalesanwo Street
 Matori Industrial Estate
 Lagos, Nigeria
 Tel: +234 17 736 498, +234 17 730 904
 E-Mail: d.kornemann@woermann-nigeria.com

Republic of South Africa

Customer service
 Hotline: (011) 6519600

Gauteng – BSC Service Centre

35 Roper Street, New Centre
 Johannesburg
 Tel.: (011) 4939375
 Fax: (011) 4930126
 E-Mail: bsctools@icon.co.za

KZN – BSC Service Centre

Unit E, Almar Centre
 143 Crompton Street
 Pinetown
 Tel.: (031) 7012120
 Fax: (031) 7012446
 E-Mail: bsc.dur@za.bosch.com

Western Cape – BSC Service Centre

Democracy Way, Prosperity Park
 Milnerton
 Tel.: (021) 5512577
 Fax: (021) 5513223
 E-Mail: bsc@zsd.co.za

Bosch Headquarters

Midrand, Gauteng
 Tel.: (011) 6519600
 Fax: (011) 6519880
 E-Mail: rbsa-hq.pts@za.bosch.com

Disposal

The machine, accessories and packaging should be sorted for environmental-friendly recycling.
 Do not dispose of power tools into household waste!

Subject to change without notice.

- ▶ **Éviter tout contact du corps avec des surfaces reliées à la terre telles que les tuyaux, les radiateurs, les cuisinières et les réfrigérateurs.** Il existe un risque accru de choc électrique si votre corps est relié à la terre.
- ▶ **Ne pas exposer les outils à la pluie ou à des conditions humides.** La pénétration d'eau à l'intérieur d'un outil augmentera le risque de choc électrique.
- ▶ **Ne pas maltraiter le cordon. Ne jamais utiliser le cordon pour porter, tirer ou débrancher l'outil. Maintenir le cordon à l'écart de la chaleur, du lubrifiant, des arêtes ou des parties en mouvement.** Les cordons endommagés ou emmêlés augmentent le risque de choc électrique.
- ▶ **Lorsqu'on utilise un outil à l'extérieur, utiliser un prolongateur adapté à l'utilisation extérieure.** L'utilisation d'un cordon adapté à l'utilisation extérieure réduit le risque de choc électrique.
- ▶ **Si l'usage d'un outil dans un emplacement humide est inévitable, utiliser une alimentation protégée par un dispositif à courant différentiel résiduel (RCD).** L'usage d'un RCD réduit le risque de choc électrique.

Sécurité des personnes

- ▶ **Rester vigilant, regarder ce que vous êtes en train de faire et faire preuve de bon sens dans l'utilisation de l'outil. Ne pas utiliser un outil lorsque vous êtes fatigué ou sous l'emprise de drogues, d'alcool ou de médicaments.** Un moment d'inattention en cours d'utilisation d'un outil peut entraîner des blessures graves des personnes.
- ▶ **Utiliser un équipement de sécurité. Toujours porter une protection pour les yeux.** Les équipements de sécurité tels que les masques contre les poussières, les chaussures de sécurité antidérapantes, les casques ou les protections acoustiques utilisés pour les conditions appropriées réduiront les blessures des personnes.
- ▶ **Éviter tout démarrage intempestif. S'assurer que l'interrupteur est en position arrêt avant de brancher l'outil au secteur et/ou au bloc de batteries, de le ramasser ou de le porter.** Porter les outils en ayant le doigt sur l'interrupteur ou brancher des outils dont l'interrupteur est en position marche est source d'accidents.
- ▶ **Retirer toute clé de réglage avant de mettre l'outil en marche.** Une clé laissée fixée sur une partie tournante de l'outil peut donner lieu à des blessures de personnes.
- ▶ **Ne pas se précipiter. Garder une position et un équipement adaptés à tout moment.** Cela permet un meilleur contrôle de l'outil dans des situations inattendues.
- ▶ **S'habiller de manière adaptée. Ne pas porter de vêtements amples ou de bijoux. Garder les cheveux, les vêtements et les gants à distance des parties en mouvement.** Des vêtements amples, des bijoux ou les cheveux longs peuvent être pris dans des parties en mouvement.
- ▶ **Si des dispositifs sont fournis pour le raccordement d'équipements pour l'extraction et la récupération des poussières, s'assurer qu'ils sont connectés et correctement utilisés.** Utiliser des collecteurs de poussière peut réduire les risques dus aux poussières.

Français**Avertissements de sécurité****Avertissements de sécurité généraux pour l'outil**

⚠ AVERTISSEMENT Lire tous les avertissements de sécurité et toutes les instructions. Ne pas suivre les avertissements et instructions peut donner lieu à un choc électrique, un incendie et/ou une blessure sérieuse.

Conservé tous les avertissements et toutes les instructions pour pouvoir s'y reporter ultérieurement.

Le terme « outil » dans les avertissements fait référence à votre outil électrique alimenté par le secteur (avec cordon d'alimentation) ou votre outil fonctionnant sur batterie (sans cordon d'alimentation).

Sécurité de la zone de travail

- ▶ **Conservé la zone de travail propre et bien éclairée.** Les zones en désordre ou sombres sont propices aux accidents.
- ▶ **Ne pas faire fonctionner les outils électriques en atmosphère explosive, par exemple en présence de liquides inflammables, de gaz ou de poussières.** Les outils électriques produisent des étincelles qui peuvent enflammer les poussières ou les fumées.
- ▶ **Maintenir les enfants et les personnes présentes à l'écart pendant l'utilisation de l'outil.** Les distractions peuvent vous faire perdre le contrôle de l'outil.

Sécurité électrique

- ▶ **Il faut que les fiches de l'outil électrique soient adaptées au socle. Ne jamais modifier la fiche de quelque façon que ce soit. Ne pas utiliser d'adaptateurs avec des outils à branchement de terre.** Des fiches non modifiées et des socles adaptés réduiront le risque de choc électrique.

10 | Français

Utilisation et entretien de l'outil

- ▶ **Ne pas forcer l'outil. Utiliser l'outil adapté à votre application.** L'outil adapté réalisera mieux le travail et de manière plus sûre au régime pour lequel il a été construit.
- ▶ **Ne pas utiliser l'outil si l'interrupteur ne permet pas de passer de l'état de marche à arrêt et vice versa.** Tout outil qui ne peut pas être commandé par l'interrupteur est dangereux et il faut le faire réparer.
- ▶ **Débrancher la fiche de la source d'alimentation en courant et/ou le bloc de batteries de l'outil avant tout réglage, changement d'accessoires ou avant de ranger l'outil.** De telles mesures de sécurité préventives réduisent le risque de démarrage accidentel de l'outil.
- ▶ **Conserver les outils à l'arrêt hors de la portée des enfants et ne pas permettre à des personnes ne connaissant pas l'outil ou les présentes instructions de le faire fonctionner.** Les outils sont dangereux entre les mains d'utilisateurs novices.
- ▶ **Observer la maintenance de l'outil. Vérifier qu'il n'y a pas de mauvais alignement ou de blocage des parties mobiles, des pièces cassées ou toute autre condition pouvant affecter le fonctionnement de l'outil. En cas de dommages, faire réparer l'outil avant de l'utiliser.** De nombreux accidents sont dus à des outils mal entretenus.
- ▶ **Garder affûtés et propres les outils permettant de couper.** Des outils destinés à couper correctement entretenus avec des pièces coupantes tranchantes sont moins susceptibles de bloquer et sont plus faciles à contrôler.
- ▶ **Utiliser l'outil, les accessoires et les lames etc., conformément à ces instructions, en tenant compte des conditions de travail et du travail à réaliser.** L'utilisation de l'outil pour des opérations différentes de celles prévues pourrait donner lieu à des situations dangereuses.

Maintenance et entretien

- ▶ **Faire entretenir l'outil par un réparateur qualifié utilisant uniquement des pièces de rechange identiques.** Cela assurera que la sécurité de l'outil est maintenue.

Avertissements de sécurité pour perceuses et visseuses

- ▶ **Utiliser la(les) poignée(s) auxiliaire(s) fournie(s) avec l'outil.** La perte de contrôle peut provoquer des blessures.
- ▶ **Tenir l'outil par les surfaces de préhension isolées, lors de la réalisation d'une opération au cours de laquelle l'organe de coupe peut entrer en contact avec un câblage non apparent ou son propre cordon d'alimentation.** Le contact avec un fil « sous tension » peut également mettre « sous tension » les parties métalliques exposées de l'outil électrique et provoquer un choc électrique sur l'opérateur.
- ▶ **Utiliser des détecteurs appropriés afin de déceler des conduites cachées ou consulter les entreprises d'approvisionnement locales.** Un contact avec des lignes électriques peut provoquer un incendie ou un choc électrique. Un endommagement d'une conduite de gaz peut provoquer une explosion. La perforation d'une conduite

d'eau provoque des dégâts matériels et peut provoquer un choc électrique.

- ▶ **Arrêtez immédiatement l'appareil électrique lorsque l'outil coince. Attendez-vous à des couples de réaction importants causant un contrecoup.** L'outil se bloque lorsque :
 - l'appareil électrique est surchargé ou
 - lorsqu'il coince dans la pièce à travailler.
- ▶ **Bien tenir l'appareil électroportatif.** Lors du vissage ou du dévissage, il peut y avoir des couples de réaction instantanés élevés.
- ▶ **Toujours bien tenir l'outil électroportatif des deux mains et veiller à toujours garder une position de travail stable.** Avec les deux mains, l'outil électroportatif est guidé de manière plus sûre.
- ▶ **Bloquer la pièce à travailler.** Une pièce à travailler serrée par des dispositifs de serrage appropriés ou dans un étau est fixée de manière plus sûre que tenue dans les mains.
- ▶ **Avant de déposer l'outil électroportatif, attendre que celui-ci soit complètement à l'arrêt.** L'outil risque de se coincer, ce qui entraînerait une perte de contrôle de l'outil électroportatif.

Description et performances du produit

Il est impératif de lire toutes les consignes de sécurité et toutes les instructions. Le non-respect des avertissements et instructions indiqués ci-après peut conduire à une électrocution, un incendie et/ou de graves blessures.

Dépliez le volet sur lequel l'appareil est représenté de manière graphique. Laissez le volet déplié pendant la lecture de la présente notice d'utilisation.

Utilisation conforme

L'appareil est conçu pour le perçage dans le bois, le métal, la céramique et les matières plastiques. Les appareils avec réglage électronique et rotation à droite/à gauche sont également appropriés pour le vissage et le taraudage.

Éléments de l'appareil

La numérotation des éléments de l'appareil se réfère à la représentation de l'outil électroportatif sur la page graphique.

- 1 Mandrin à couronne dentée
- 2 Bouton de blocage de l'interrupteur Marche/Arrêt
- 3 Interrupteur Marche/Arrêt
- 4 Commutateur du sens de rotation
- 5 Poignée (surface de préhension isolante)
- 6 Clé de mandrin
- 7 Embout de réglage*
- 8 Porte-embout universel*

*Les accessoires décrits ou illustrés ne sont pas tous compris dans la fourniture. Vous trouverez les accessoires complets dans notre programme d'accessoires.

Caractéristiques techniques

Perceuse		GBM 1000
N° d'article		3 601 AA9 0..
Puissance nominale absorbée	W	350
Puissance utile débitée	W	160
Vitesse à vide	tr/min	0 – 2800
Vitesse de rotation nominale	tr/min	0 – 2000
Réglage de la vitesse de rotation		●
Rotation droite/gauche		●
Plage de serrage du mandrin	mm	1 – 10
Ø perçage max.		
– Acier	mm	10
– Bois	mm	20
– Aluminium	mm	13
Poids suivant EPTA-Procédure 01:2014	kg	1,2
Classe de protection		□/II

Ces indications sont valables pour une tension nominale de [U] 230 V.
Ces indications peuvent varier pour des tensions plus basses ainsi que pour des versions spécifiques à certains pays.

Niveau sonore et vibrations

Valeurs d'émissions sonores déterminées selon la norme EN 60745-2-1.

Les mesures réelles (A) des niveaux sonores de l'appareil sont : niveau de pression acoustique 81 dB(A) ; niveau d'intensité acoustique 92 dB(A). Incertitude K = 3 dB.

Porter une protection acoustique !

Valeurs totales des vibrations a_h (somme vectorielle des trois axes directionnels) et incertitude K relevées conformément à la norme EN 60745-2-1 :

Perçage dans le métal : $a_h = 5,2 \text{ m/s}^2$, $K = 1,5 \text{ m/s}^2$

Vissage : $a_h < 2,5 \text{ m/s}^2$, $K = 1,5 \text{ m/s}^2$.

Le niveau d'oscillation indiqué dans ces instructions d'utilisation a été mesuré conformément à la norme EN 60745 et peut être utilisé pour une comparaison d'outils électroportatifs. Il est également approprié pour une estimation préliminaire de la charge vibratoire.

Le niveau d'oscillation correspond aux utilisations principales de l'outil électroportatif. Si l'outil électrique est néanmoins utilisé pour d'autres applications, avec différents accessoires ou d'autres outils de travail ou s'il est mal entretenu, le niveau d'oscillation peut être différent. Ceci peut augmenter considérablement la charge vibratoire pendant toute la durée de travail.

Pour une estimation précise de la charge vibratoire, il est recommandé de prendre aussi en considération les périodes pendant lesquelles l'appareil est éteint ou en fonctionnement, mais pas vraiment utilisé. Ceci peut réduire considérablement la charge vibratoire pendant toute la durée de travail. Déterminez des mesures de protection supplémentaires pour protéger l'utilisateur des effets des vibrations, telles que par exemple : Entretien de l'outil électrique et des outils de travail, maintenir les mains chaudes, organisation des opérations de travail.

Seulement pour les pays de l'Union Européenne :


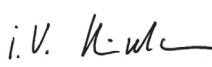
Déclaration de conformité

Nous déclarons sous notre propre responsabilité que le produit décrit sous « Caractéristiques techniques » est en conformité avec toutes les dispositions des directives 2011/65/UE, 2004/108/CE (jusqu'au 19 avril 2016), 2014/30/UE (à partir du 20 avril 2016), 2006/42/CE et leurs modifications ainsi qu'avec les normes suivantes : EN 60745-1, EN 60745-2-1, EN 60745-2-2, EN 50581.

Dossier technique (2006/42/CE) auprès de :

Robert Bosch Power Tools GmbH, PT/ETM9,
70538 Stuttgart, GERMANY

Henk Becker Helmut Heinzelmann
Executive Vice President Head of Product Certification
Engineering PT/ETM9

PPA
 i.v. 

Robert Bosch Power Tools GmbH
70538 Stuttgart, GERMANY
Stuttgart, 01.01.2017

Montage

Changement d'outil (voir figure A)

- ▶ Avant d'effectuer des travaux sur l'outil électroportatif, retirez la fiche de la prise de courant.

Ouvrez le mandrin à clé à couronne dentée **1** par un mouvement de rotation jusqu'à ce que l'outil puisse être monté. Montez l'outil.

Introduisez la clé de mandrin **6** dans les orifices correspondants du mandrin à clé à couronne dentée **1** et verrouillez l'outil de manière régulière.

Outils de vissage (voir figure B)

Lorsque des embouts sont utilisés **7**, il est recommandé d'utiliser un porte-embout universel **8**. N'utilisez que des embouts appropriés à la tête de vis.

Changement du mandrin de perçage

Pour des outils électriques qui ne disposent pas d'un blocage de la broche de perçage, le mandrin de perçage doit être remplacé par une station de Service Après-Vente pour outillage Bosch agréée.



Le mandrin de perçage doit être serré avec un couple de serrage de 25 – 30 Nm environ.

Aspiration de poussières/de copeaux

- ▶ Les poussières de matériaux tels que peintures contenant du plomb, certains bois, minéraux ou métaux, peuvent être nuisibles à la santé. Entrer en contact ou aspirer les poussières peut entraîner des réactions allergiques et/ou des maladies respiratoires auprès de l'utilisateur ou de personnes se trouvant à proximité.

Certaines poussières telles que les poussières de chêne ou de hêtre sont considérées comme cancérigènes, surtout

12 | Français

en association avec des additifs pour le traitement du bois (chromate, lazure). Les matériaux contenant de l'amiante ne doivent être travaillés que par des personnes qualifiées.

- Veillez à bien aérer la zone de travail.
- Il est recommandé de porter un masque respiratoire avec un niveau de filtration de classe P2.

Respectez les règlements spécifiques aux matériaux à traiter en vigueur dans votre pays.

- ▶ **Évitez toute accumulation de poussières à l'emplacement de travail.** Les poussières peuvent facilement s'enflammer.

Mise en marche

Mise en service

- ▶ **Tenez compte de la tension du réseau ! La tension de la source de courant doit correspondre aux indications se trouvant sur la plaque signalétique de l'outil électroportatif. Les outils électroportatifs marqués 230 V peuvent également fonctionner sur 220 V.**

Sélection du sens de rotation

- ▶ **N'actionnez le commutateur du sens de rotation 4 qu'à l'arrêt total de l'appareil électroportatif.**

Le commutateur de sens de rotation **4** permet d'inverser le sens de rotation de l'outil électroportatif. Ceci n'est cependant pas possible, quand l'interrupteur Marche/Arrêt **3** est en fonction.

Rotation droite : Pour percer et visser, tournez le commutateur du sens de rotation **4** à fond vers la gauche.

Rotation gauche : Pour desserrer ou dévisser des vis et des écrous, tournez le commutateur du sens de rotation **4** à fond vers la droite.

Mise en Marche/Arrêt

Pour **mettre** l'outil électroportatif **en marche**, appuyez sur l'interrupteur Marche/Arrêt **3** et maintenez-le appuyé.

Pour **bloquer** l'interrupteur Marche/Arrêt en fonction **3**, appuyez sur le bouton de blocage **2**.

Afin d'économiser l'énergie, ne mettez l'outil électroportatif en marche que quand vous l'utilisez.

Pour **arrêter** l'outil électroportatif, relâchez l'interrupteur Marche/Arrêt **3**.

Réglage de la vitesse de rotation

Il est possible de régler en continu la vitesse de rotation de l'outil électroportatif en fonction de la pression exercée sur l'interrupteur Marche/Arrêt **3**.

Une pression légère sur l'interrupteur Marche/Arrêt **3** entraîne une faible vitesse de rotation. Plus la pression augmente, plus la vitesse de rotation est élevée.

Instructions d'utilisation

- ▶ **Posez l'outil électroportatif sur la vis/sur l'écrou seulement lorsque l'appareil est arrêté.** Les outils de travail en rotation peuvent glisser.

Après avoir travaillé à une vitesse de rotation faible pendant une période relativement longue, faites travailler l'outil élec-

troportatif à vide à la vitesse de rotation maximale pendant une durée de 3 minutes environ afin de le laisser se refroidir.

Pour percer dans le métal, n'utilisez que des forets HSS aiguisés et en parfait état (HSS = aciers super rapides). La gamme d'accessoires Bosch vous assure la qualité nécessaire.

Avant de visser des vis d'un gros diamètre ou très longues dans des matériaux durs, il est recommandé d'effectuer un préperçage du diamètre du filet de la vis sur approximativement $\frac{2}{3}$ de la longueur de la vis.

Entretien et Service Après-Vente

Nettoyage et entretien

- ▶ **Avant d'effectuer des travaux sur l'outil électroportatif, retirez la fiche de la prise de courant.**
- ▶ **Veillez à ce que l'outil électroportatif ainsi que les ouïes de ventilation soient toujours propres afin d'obtenir un travail impeccable et sûr.**

Si le remplacement du câble d'alimentation est nécessaire, ceci ne doit être effectué que par Bosch ou une station de Service Après-Vente agréée pour outillage Bosch afin d'éviter des dangers de sécurité.

Service Après-Vente et Assistance

Notre Service Après-Vente répond à vos questions concernant la réparation et l'entretien de votre produit et les pièces de rechange. Vous trouverez des vues éclatées ainsi que des informations concernant les pièces de rechange également sous :

www.bosch-pt.com

Les conseillers techniques et assistants Bosch sont à votre disposition pour répondre à vos questions concernant nos produits et leurs accessoires.

Pour toute demande de renseignement ou commande de pièces de rechange, précisez-nous impérativement le numéro d'article à dix chiffres indiqué sur la plaque signalétique du produit.

Pour avoir des renseignements concernant la garantie, les travaux d'entretien ou de réparation ou les pièces de rechange, veuillez contacter votre détaillant spécialisé.

Morocco

Outipro

53, rue du Lieutenant Mahroud Mohamed

20300 Casablanca

Tel. : +212 (0) 522 400 409, +212 (0) 522 400 615

E-Mail: service@outipro.ma

Algeria

Siestal

Zone Industrielle Ihaddaden 06000 Bejaia

Tel : +213 (0) 982 400 991/2

Fax : +213 (0) 3 420 1569

E-Mail: sav@siestal-dz.com

Tunísia

Sotel
 Z.I. St. Gobin Lotissement SMMT-Lot No 25-99
 2014-Megrine Riadh
 Tél. : +216 71 427 496
 Fax : +216 71 354 175
 E-Mail: sotel2@planet.tn

Élimination des déchets

Les outils électroportatifs, ainsi que leurs accessoires et emballages, doivent pouvoir suivre chacun une voie de recyclage appropriée.

Ne jetez pas les outils électroportatifs avec les ordures ménagères !

Sous réserve de modifications.

Português**Indicações de segurança****Indicações gerais de advertência para ferramentas eléctricas****⚠ ATENÇÃO** Devem ser lidas todas as indicações de advertência e todas as instruções.

O desrespeito das advertências e instruções apresentadas abaixo pode causar choque eléctrico, incêndio e/ou graves lesões.

Guarde bem todas as advertências e instruções para futura referência.

O termo "Ferramenta eléctrica" utilizado a seguir nas indicações de advertência, refere-se a ferramentas eléctricas operadas com corrente de rede (com cabo de rede) e a ferramentas eléctricas operadas com acumulador (sem cabo de rede).

Segurança da área de trabalho

- ▶ **Mantenha a sua área de trabalho sempre limpa e bem iluminada.** Desordem ou áreas de trabalho insuficientemente iluminadas podem levar a acidentes.
- ▶ **Não trabalhar com a ferramenta eléctrica em áreas com risco de explosão, nas quais se encontrem líquidos, gases ou pós inflamáveis.** Ferramentas eléctricas produzem faíscas, que podem inflamar pós ou vapores.
- ▶ **Manter crianças e outras pessoas afastadas da ferramenta eléctrica durante a utilização.** No caso de distração é possível que perca o controlo sobre o aparelho.

Segurança eléctrica

- ▶ **A ficha de conexão da ferramenta eléctrica deve caber na tomada. A ficha não deve ser modificada de maneira alguma. Não utilizar uma ficha de adaptação junto com ferramentas eléctricas protegidas por ligação à terra.** Fichas não modificadas e tomadas apropriadas reduzem o risco de um choque eléctrico.

- ▶ **Evitar que o corpo possa entrar em contacto com superfícies ligadas à terra, como tubos, aquecimentos, fogões e frigoríficos.** Há um risco elevado devido a um choque eléctrico, se o corpo estiver ligado à terra.
- ▶ **Manter o aparelho afastado de chuva ou humidade.** A infiltração de água numa ferramenta eléctrica aumenta o risco de choque eléctrico.
- ▶ **Não deverá utilizar o cabo para outras finalidades. Jamais utilizar o cabo para transportar a ferramenta eléctrica, para pendurá-la, nem para puxar a ficha da tomada. Manter o cabo afastado de calor, óleo, cantos afiados ou partes do aparelho em movimento.** Cabos danificados ou emaranhados aumentam o risco de um choque eléctrico.
- ▶ **Se trabalhar com uma ferramenta eléctrica ao ar livre, só deverá utilizar cabos de extensão apropriados para áreas exteriores.** A utilização de um cabo de extensão apropriado para áreas exteriores reduz o risco de um choque eléctrico.
- ▶ **Se não for possível evitar o funcionamento da ferramenta eléctrica em áreas húmidas, deverá ser utilizado um disjuntor de corrente de avaria.** A utilização de um disjuntor de corrente de avaria reduz o risco de um choque eléctrico.

Segurança de pessoas

- ▶ **Esteja atento, observe o que está a fazer e tenha prudência ao trabalhar com a ferramenta eléctrica. Não utilizar uma ferramenta eléctrica quando estiver fadado ou sob a influência de drogas, álcool ou medicamentos.** Um momento de descuido ao utilizar a ferramenta eléctrica, pode levar a lesões graves.
- ▶ **Utilizar equipamento de protecção pessoal e sempre óculos de protecção.** A utilização de equipamento de protecção pessoal, como máscara de protecção contra pó, sapatos de segurança antiderrapantes, capacete de segurança ou protecção auricular, de acordo com o tipo e aplicação da ferramenta eléctrica, reduz o risco de lesões.
- ▶ **Evitar uma colocação em funcionamento involuntária. Assegure-se de que a ferramenta eléctrica esteja desligada, antes de conectá-la à alimentação de rede e/ou ao acumulador, antes de levantá-la ou de transportá-la.** Se tiver o dedo no interruptor ao transportar a ferramenta eléctrica ou se o aparelho for conectado à alimentação de rede enquanto estiver ligado, poderão ocorrer acidentes.
- ▶ **Remover ferramentas de ajuste ou chaves de boca antes de ligar a ferramenta eléctrica.** Uma ferramenta ou chave que se encontre numa parte do aparelho em movimento pode levar a lesões.
- ▶ **Evite uma posição anormal. Mantenha uma posição firme e mantenha sempre o equilíbrio.** Desta forma é mais fácil controlar a ferramenta eléctrica em situações inesperadas.
- ▶ **Usar roupa apropriada. Não usar roupa larga nem jóias. Mantenha os cabelos, roupas e luvas afastadas de partes em movimento.** Roupas frouxas, cabelos longos ou jóias podem ser agarrados por peças em movimento.

14 | Português

▶ **Se for possível montar dispositivos de aspiração ou de recolha, assegure-se de que estejam conectados e utilizados correctamente.** A utilização de uma aspiração de pó pode reduzir o perigo devido ao pó.

Utilização e manuseio cuidadoso de ferramentas eléctricas

- ▶ **Não sobrecarregue o aparelho. Utilize a ferramenta eléctrica apropriada para o seu trabalho.** É melhor e mais seguro trabalhar com a ferramenta eléctrica apropriada na área de potência indicada.
- ▶ **Não utilizar uma ferramenta eléctrica com um interruptor defeituoso.** Uma ferramenta eléctrica que não pode mais ser ligada nem desligada, é perigosa e deve ser reparada.
- ▶ **Puxar a ficha da tomada e/ou remover o acumulador antes de executar ajustes no aparelho, de substituir acessórios ou de guardar o aparelho.** Esta medida de segurança evita o arranque involuntário da ferramenta eléctrica.
- ▶ **Guardar ferramentas eléctricas não utilizadas fora do alcance de crianças. Não permita que pessoas que não estejam familiarizadas com o aparelho ou que não tenham lido estas instruções, utilizem o aparelho.** Ferramentas eléctricas são perigosas se forem utilizadas por pessoas inesperadas.
- ▶ **Tratar a ferramenta eléctrica com cuidado. Controlar se as partes móveis do aparelho funcionam perfeitamente e não emperram, e se há peças quebradas ou danificadas que possam prejudicar o funcionamento da ferramenta eléctrica. Permitir que peças danificadas sejam reparadas antes da utilização.** Muitos acidentes têm como causa, a manutenção insuficiente de ferramentas eléctricas.
- ▶ **Manter as ferramentas de corte afiadas e limpas.** Ferramentas de corte cuidadosamente tratadas e com cantos de corte afiados emperram com menos frequência e podem ser conduzidas com maior facilidade.
- ▶ **Utilizar a ferramenta eléctrica, acessórios, ferramentas de aplicação, etc. conforme estas instruções. Considerar as condições de trabalho e a tarefa a ser executada.** A utilização de ferramentas eléctricas para outras tarefas a não ser as aplicações previstas, pode levar a situações perigosas.

Serviço

- ▶ **Só permita que o seu aparelho seja reparado por pessoal especializado e qualificado e só com peças de reposição originais.** Desta forma é assegurado o funcionamento seguro do aparelho.

Indicações de segurança para berbequins e aparafusadoras

- ▶ **Utilizar os punhos adicionais, se tiverem sido fornecidos com a ferramenta eléctrica.** A perda de controlo pode provocar lesões.
- ▶ **Ao executar trabalhos durante os quais podem ser atingidos cabos eléctricos ou o próprio cabo de rede só de-**

verá segurar o aparelho pelas superfícies de punho isoladas. O contacto com um cabo sob tensão também pode colocar sob tensão as peças metálicas do aparelho e levar a um choque eléctrico.

- ▶ **Utilizar detectores apropriados, para encontrar cabos escondidos, ou consulte a companhia eléctrica local.** O contacto com cabos eléctricos pode provocar fogo e choques eléctricos. Danos em tubos de gás podem levar à explosão. A penetração num cano de água causa danos materiais ou pode provocar um choque eléctrico.
- ▶ **Desligar imediatamente a ferramenta eléctrica, caso a ferramenta de aplicação bloquear. Esteja atento para altos momentos de reacção que provoquem um contra-golpe.** A ferramenta de trabalho é bloqueada quando:
 - a ferramenta eléctrica é sobrecarregada ou
 - se for emperrada na peça a ser trabalhada.
- ▶ **Segurar a ferramenta eléctrica com firmeza.** Ao apertar ou soltar parafusos podem ocorrer, por instantes, altos momentos de reacção.
- ▶ **Segurar a ferramenta eléctrica firmemente com ambas as mãos durante o trabalho e manter uma posição firme.** A ferramenta eléctrica é conduzida com segurança com ambas as mãos.
- ▶ **Fixar a peça a ser trabalhada.** Uma peça a ser trabalhada fixa com dispositivos de aperto ou com torno de bancada está mais firme do que segurada com a mão.
- ▶ **Espere a ferramenta eléctrica parar completamente, antes de depositá-la.** A ferramenta de aplicação pode emperrar e levar à perda de controlo sobre a ferramenta eléctrica.

Descrição do produto e da potência



Devem ser lidas todas as indicações de advertência e todas as instruções. O desrespeito das advertências e instruções apresentadas abaixo pode causar choque eléctrico, incêndio e/ou graves lesões.

Abrir a página basculante contendo a apresentação do aparelho, e deixar esta página aberta enquanto estiver lendo a instrução de serviço.

Utilização conforme as disposições

O aparelho é destinado para furar em madeira, metal, cerâmica e plástico. Aparelhos com regulação electrónica e marcha à direita/à esquerda também são apropriadas para aparafusar e cortar roscas.

Componentes ilustrados

A numeração dos componentes ilustrados refere-se à apresentação da ferramenta eléctrica na página de esquemas.

- 1 Mandril de brocas de coroa dentada
- 2 Tecla de fixação para o interruptor de ligar-desligar
- 3 Interruptor de ligar-desligar
- 4 Comutador do sentido de rotação
- 5 Punho (superfície isolada)
- 6 Chave mandril de brocas


7 Bit de aparafusamento*

8 Porta-pontas universal*

***Accessórios apresentados ou descritos não pertencem ao volume de fornecimento padrão. Todos os acessórios encontram-se no nosso programa de acessórios.**

Dados técnicos

Berbequim		GBM 1000
Nº do produto		3 601 AA9 0..
Potência nominal consumida	W	350
Potência útil	W	160
Nº de rotações em ponto morto	min ⁻¹	0 – 2 800
Número de rotações nominal	min ⁻¹	0 – 2 000
Comando do nº de rotações		●
Marcha à direita/à esquerda		●
Faixa de aperto do mandril	mm	1 – 10
máx. Ø de perfuração		
– Aço	mm	10
– Madeira	mm	20
– Alumínio	mm	13
Peso conforme EPTA-Procedure 01:2014	kg	1,2

Classe de proteção  II

As indicações valem para tensões nominais [U] de 230 V. Estas indicações podem variar dependendo de tensões inferiores e dos modelos específicos dos países.

Informação sobre ruídos/vibrações

Os valores de emissão de ruído determinados de acordo com EN 60745-2-1.

O nível de ruído avaliado como A do aparelho é tipicamente: Nível de pressão acústica 81 dB(A); Nível de potência acústica 92 dB(A). Incerteza K = 3 dB.

Usar protecção auricular!

Totais valores de vibrações a_h (soma dos vectores de três direcções) e incerteza K averiguada conforme EN 60745-2-1:

Furar metal: $a_h = 5,2 \text{ m/s}^2$, $K = 1,5 \text{ m/s}^2$

Parafusos: $a_h < 2,5 \text{ m/s}^2$, $K = 1,5 \text{ m/s}^2$.

O nível de vibrações indicado nestas instruções foi medido de acordo com um processo de medição normalizado pela norma EN 60745 e pode ser utilizado para a comparação de ferramentas eléctricas. Ele também é apropriado para uma avaliação provisória da carga de vibrações.

O nível de vibrações indicado representa as aplicações principais da ferramenta eléctrica. Se, contudo, a ferramenta eléctrica for utilizada para outras aplicações, com acessórios diferentes, com outras ferramentas de trabalho ou com manutenção insuficiente, é possível que o nível de vibrações seja diferente. Isto pode aumentar sensivelmente a carga de vibrações para o período completo de trabalho.

Para uma estimativa exacta da carga de vibrações, também deveriam ser considerados os períodos nos quais o aparelho está desligado ou funciona, mas não está sendo utilizado. Isto

pode reduzir a carga de vibrações durante o completo período de trabalho.

Além disso também deverão ser estipuladas medidas de segurança para proteger o operador contra o efeito de vibrações, como por exemplo: manutenção de ferramentas eléctricas e de ferramentas de trabalho, manter as mãos quentes e organização dos processos de trabalho.

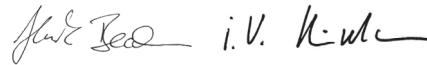
Apenas países da União Europeia:

Declaração de conformidade

Declaramos sob nossa inteira responsabilidade que o produto descrito nos "Dados técnicos" está em conformidade com todas as disposições pertinentes das Directivas 2011/65/UE, até 19 de Abril de 2016: 2004/108/CE, a partir de 20 de Abril de 2016: 2014/30/UE, 2006/42/CE incluindo suas alterações, e em conformidade com as seguintes normas: EN 60745-1, EN 60745-2-1, EN 60745-2-2, EN 50581.

Processo técnico (2006/42/CE) em:
Robert Bosch Power Tools GmbH, PT/ETM9,
70538 Stuttgart, GERMANY

Henk Becker	Helmut Heinzelmann
Executive Vice President	Head of Product Certification
Engineering	PT/ETM9



Robert Bosch Power Tools GmbH
70538 Stuttgart, GERMANY
Stuttgart, 01.01.2017

Montagem

Troca de ferramenta (veja figura A)

► **Antes de todos trabalhos na ferramenta eléctrica deverá puxar a ficha de rede da tomada.**

Abrir o mandril de brocas de coroa dentada **1** girando, até ser possível introduzir a ferramenta. Introduzir a ferramenta.

Introduzir a chave de mandril de brocas **6** nos respectivos orifícios do mandril de coroa dentada **1** e fixar uniformemente a ferramenta.

Ferramentas de aparafusamento (veja figura B)

Se for utilizar pontas de aparafusamento **7**, deveria sempre utilizar um suporte universal para pontas **8**. Só utilizar bits de aparafusamento apropriados para o cabeçote de aparafusamento.

Trocar o mandril de brocas

No caso de ferramentas eléctricas sem travamento do veio de perfuração, é necessário que o mandril de brocas seja trocado numa oficina de serviço pós-venda autorizada para ferramentas eléctricas Bosch.



O mandril de brocas deve ser apertado com um binário de aprox. 25 – 30 Nm.

16 | Português

Aspiração de pó/de aparas

- ▶ Pó de materiais como por exemplo, tintas que contém chumbo, alguns tipos de madeira, minerais e metais, podem ser nocivos à saúde. O contacto ou a inalação dos pó pode provocar reações alérgicas e/ou doenças nas vias respiratórias do utilizador ou das pessoas que se encontrem por perto.

Certos pó, como por exemplo pó de carvalho e faia são considerados como sendo cancerígenos, especialmente quando juntos com substâncias para o tratamento de madeiras (cromato, preservadores de madeira). Material que contém asbesto só deve ser processado por pessoal especializado.

- Assegurar uma boa ventilação do local de trabalho.
- É recomendável usar uma máscara de protecção respiratória com filtro da classe P2.

Observe as directivas para os materiais a serem trabalhados, vigentes no seu país.

- ▶ **Evite o acúmulo de pó no local de trabalho.** Pó podem entrar levemente em ignição.

Funcionamento**Colocação em funcionamento**

- ▶ **Observar a tensão de rede!** A tensão da fonte de corrente deve coincidir com a indicada na chapa de identificação da ferramenta eléctrica. Ferramentas eléctricas marcadas para 230 V também podem ser operadas com 220 V.

Ajustar o sentido de rotação

- ▶ **Só accionar o comutador de sentido de rotação 4 com a ferramenta eléctrica parada.**

Com o comutador de sentido de rotação 4 é possível alterar o sentido de rotação da ferramenta eléctrica. Com o interruptor de ligar-desligar pressionado 3 isto no entanto não é possível.

Marcha à direita: Para furar e atarraxar parafusos, deverá pressionar o comutador de sentido de rotação 4 completamente para a esquerda.

Marcha à esquerda: Para soltar e desatarraxar parafusos e porcas, deverá pressionar o comutador de sentido de rotação 4 completamente para a direita.

Ligar e desligar

Para a **colocação em funcionamento** da ferramenta eléctrica deverá pressionar o interruptor de ligar-desligar 3 e manter pressionado.

Para **fixar** o interruptor de ligar-desligar 3 deverá premir a tecla de fixação 2.

Para poupar energia só deverá ligar a ferramenta eléctrica quando ela for utilizada.

Para **desligar** a ferramenta eléctrica, deverá soltar novamente o interruptor de ligar-desligar 3.

Ajustar o número de rotações

O número de rotações da ferramenta eléctrica ligada pode ser regulada sem escalonamento, dependendo de quanto premir o interruptor de ligar-desligar 3.

Uma leve pressão sobre o interruptor de ligar-desligar 3 proporciona um número de rotações baixo. Aumentando a pressão, é aumentado o n° de rotações.

Indicações de trabalho

- ▶ **Utilizar os punhos adicionais fornecidos com a ferramenta eléctrica.** A perda de controle sobre a ferramenta eléctrica pode levar a lesões.

Após prolongado trabalho com baixo n° de rotações, deveria permitir que a ferramenta eléctrica funcione em vazio durante aprox. 3 minutos com máximo n° de rotações, para poder arrefecer.

Para furar metal só devem ser utilizadas brocas HSS (HSS = aço de corte rápido de alta potência) afiadas e em perfeito estado. O programa de acessórios Bosch garante a respectiva qualidade.

Antes de atarraxar parafusos, mais longos e maiores, em materiais duros, deveria furar com o diâmetro do núcleo da rosca até aproximadamente $\frac{2}{3}$ do comprimento do parafuso.

Manutenção e serviço**Manutenção e limpeza**

- ▶ **Antes de todos trabalhos na ferramenta eléctrica deverá puxar a ficha de rede da tomada.**
- ▶ **Manter a ferramenta eléctrica e as aberturas de ventilação sempre limpas, para trabalhar bem e de forma segura.**

Se for necessário substituir o cabo de conexão, isto deverá ser realizado pela Bosch ou por uma oficina de serviço pós-venda autorizada para todas as ferramentas eléctricas Bosch para evitar riscos de segurança.

Serviço pós-venda e consultoria de aplicação

O serviço pós-venda responde às suas perguntas a respeito de serviços de reparação e de manutenção do seu produto, assim como das peças sobressalentes. Desenhos explodidos e informações sobre peças sobressalentes encontram-se em: **www.bosch-pt.com**

A nossa equipa de consultoria de aplicação Bosch esclarecem com prazer todas as suas dúvidas a respeito da compra, aplicação e ajuste dos produtos e acessórios.

Indique para todas as questões e encomendas de peças sobressalentes a referência de 10 dígitos de acordo com a placa de características do produto.

Brasil

Robert Bosch Ltda.
Caixa postal 1195
13065-900 Campinas
Tel.: +55 (0800) 70 45446
www.bosch.com.br/contato

Angola

InvestGlobal
Parque Logístico
Estrada de Viana Km 12
Luanda
Tel. : +212 948 513 580
E-Mail: helderribeiro@investglobal-ang.com

Eliminação

Ferramentas eléctricas, acessórios e embalagens devem ser enviados a uma reciclagem ecológica de matérias primas.
Não deitar ferramentas eléctricas no lixo doméstico!

Sob reserva de alterações.

中文**安全规章****电动工具通用安全警告**

警告！ 阅读所有警告和所有说明！不遵照以下警告和说明会导致电击、着火和/或严重伤害。

保存所有警告和说明书以备查阅。

在所有下列的警告中术语“电动工具”指市电驱动（有线）电动工具或电池驱动（无线）电动工具。

工作场地的安全

- ▶ 保持工作场地清洁和明亮。混乱和黑暗的场地会引发事故。
- ▶ 不要在易爆环境，如有易燃液体、气体或粉尘的环境下操作电动工具。电动工具产生的火花会点燃粉尘或气体。
- ▶ 让儿童和旁观者离开后操作电动工具。注意力不集中会使操作者失去对工具的控制。

电气安全

- ▶ 电动工具插头必须与插座相配。绝不能以任何方式改装插头。需接地的电动工具不能使用任何转换插头。未经改装的插头和相配的插座将减少电击危险。
- ▶ 避免人体接触接地表面，如管道、散热片和冰箱。如果你身体接地会增加电击危险。
- ▶ 不得将电动工具暴露在雨中或潮湿环境中。水进入电动工具将增加电击危险。
- ▶ 不得滥用电线。绝不能用电线搬运、拉动电动工具或拔出其插头。使电线远离热源、油、锐边或运动部件。受损或缠绕的软线会增加电击危险。
- ▶ 当在户外使用电动工具时，使用适合户外使用的外接软线。适合户外使用的软线将减少电击危险。

- ▶ 如果在潮湿环境下操作电动工具是不可避免的，应使用剩余电流动作保护器（RCD）。使用 RCD 可减小电击危险。

人身安全

- ▶ 保持警觉，当操作电动工具时关注所从事的操作并保持清醒。当你感到疲倦，或在有药物、酒精或治疗反应时，不要操作电动工具。在操作电动工具时瞬间的疏忽会导致严重人身伤害。
- ▶ 使用个人防护装置。始终佩戴护目镜。安全装置，诸如适当条件下使用防尘面具、防滑安全鞋、安全帽、听力防护等装置能减少人身伤害。
- ▶ 防止意外起动。确保开关在连接电源和/或电池盒、拿起或搬运工具时处于关断位置。手指放在已接通电源的开关上或开关处于接通时插入插头可能会导致危险。
- ▶ 在电动工具接通之前，拿掉所有调节钥匙或扳手。遗留在电动工具旋转零件上的扳手或钥匙会导致人身伤害。
- ▶ 手不要伸展得太长。时刻注意立足点和身体平衡。这样在意外情况下能很好地控制电动工具。
- ▶ 着装适当。不要穿宽松衣服或佩戴饰品。让衣服、手套和头发远离运动部件。宽松衣服、佩饰或长发可能会卷入运动部件中。
- ▶ 如果提供了与排屑、集尘设备连接用的装置，要确保他们连接完好且使用得当。使用这些装置可减少尘屑引起的危险。

电动工具使用和注意事项

- ▶ 不要滥用电动工具，根据用途使用适当的电动工具。选用适当设计的电动工具会使你工作更有效、更安全。
- ▶ 如果开关不能接通或关断工具电源，则不能使用该电动工具。不能用开关来控制的电动工具是危险的且必须进行修理。
- ▶ 在进行任何调节、更换附件或贮存电动工具之前，必须从电源上拔掉插头和/或使电池盒与工具脱离。这种防护性措施将减少工具意外起动的危险。
- ▶ 将闲置不用的电动工具贮存在儿童所及范围之外，并且不要让不熟悉电动工具或对这些说明不了解的人操作电动工具。电动工具在未经培训的用户手中是危险的。
- ▶ 保养电动工具。检查运动件是否调整到位或卡住，检查零件破损情况和影响电动工具运行的其他状况。如有损坏，电动工具应在使用前修理好。许多事故由维护不良的电动工具引发。
- ▶ 保持切削刀具锋利和清洁。保养良好的有锋利切削刃的刀具不易卡住而且容易控制。
- ▶ 按照使用说明书，考虑作业条件和进行的作业来使用电动工具、附件和工具的刀头等。将电动工具用于那些与其用途不符的操作可能会导致危险。

18 | 中文

维修

- ▶ 将你的电动工具送交专业维修人员，使用同样的备件进行修理。这样将确保所维修的电动工具的安全性。

针对电钻和电动扳手的 safety 规章

- ▶ 使用随工具提供的辅助手柄。操作失手会引起人身伤害。
- ▶ 当在钻削附件可能触及暗线或其自身软线之处进行操作时，要通过绝缘握持面来握持工具。钻削附件碰到带电导线会使工具外露的金属零件带电从而使操作者受到电击。
- ▶ 使用合适的侦测装置侦察隐藏的电线，或者向当地的相关单位寻求支援。接触电线可能引起火灾并使操作者触电。损坏了瓦斯管会引起爆炸。凿穿水管不仅会造成严重的财物损失，也可能导致触电。
- ▶ 如果安装在机器上的工具被夹住了，必须马上关闭电动工具并保持镇静。此时机器会产生极高的反应力矩，并进而造成回击。安装在机器上的工具容易被夹住如果：
 - 电动工具超荷了，或者
 - 安装在机器上的工具在工件中歪斜了。
- ▶ 务必握紧电动工具。在拧紧和放松螺丝时，可能出现短暂的强大反击。
- ▶ 工作时必须用双手握紧电动工具，并且要确保立足稳固。使用双手比较能够握稳电动工具。
- ▶ 固定好工件。使用固定装置或老虎钳固定工件，会比用手持握工件更牢固。
- ▶ 等待电动工具完全静止后才能够放下机器。机器上的工具可能在工作中被夹住，而令您无法控制电动工具。

产品和功率描述

阅读所有的警告提示和指示。如未确实遵循警告提示和指示，可能导致电击，火灾并且 / 或其他的严重伤害。

翻开标示了机器详解图的折叠页。阅读操作指南时必须翻开折叠页参考。

按照规定使用机器

本电动工具可以在木材，金属，陶材和塑料上钻孔。配备电子调节装置和正 / 逆转开关的机器也可以拧入 / 拧出螺丝或攻丝。

插图上的机件

机件的编号和电动工具详解图上的编号一致。

- 1 齿环夹头
- 2 起停开关的锁紧键

- 3 起停开关
- 4 正逆转开关
- 5 手柄（绝缘握柄）
- 6 夹头扳手
- 7 螺丝批嘴*
- 8 通用批嘴连杆*

* 图表或说明上提到的附件，并不包含在基本的供货范围中。本公司的附件清单中有完整的附件供应项目。

技术数据

电钻		GBM 1000
物品代码		3 601 AA9 0..
额定输入功率	瓦	350
输出功率	瓦	160
无负载转速	次 / 分	0 - 2800
额定转速	次 / 分	0 - 2000
转速控制装置		●
正 / 逆转功能		●
夹头的夹紧范围	毫米	1 - 10
最大钻孔直径		
- 钢	毫米	10
- 木材	毫米	20
- 铝	毫米	13
重量符合 EPTA-Procedure 01:2014	公斤	1,2
绝缘等级		□/II

本说明书提供的参数是以 230 V 为依据，于低电压地区，此数据有可能不同。

安装**更换工具（参考插图 A）**

- ▶ 维修电动工具或换装零、配件之前，务必从插座上拔出插头。

转动齿环夹头 1 至能够装入工具为止，安装好工具。把夹头扳手 6 插入夹头 1 上的收紧孔中，并正确地夹紧工具。

起子机的工具（参考插图 B）

以螺丝批嘴 7 作业时，一定要使用通用批嘴连杆 8。只能选用能够配合螺丝头的螺丝批嘴。

更换夹头

如果电动工具没有主轴锁定功能，必须把机器交给经过授权的博世电动工具顾客服务处更换夹头。



使用约 25 - 30 牛顿米的拉紧扭力拧紧夹头。

吸锯尘 / 吸锯屑

- ▶ 含铅的颜料以及某些木材、矿物和金属的加工废尘有害健康。机器操作者或者工地附近的人如果接触、吸入这些废尘，可能会有过敏反应或者感染呼吸道疾病。

某些尘埃（例如加工橡木或山毛榉的废尘）可能致癌，特别是和处理木材的添加剂（例如木材的防腐剂等）结合之后。只有经过专业训练的人能够加工含石棉的物料。

- 工作场所要保持空气流通。
- 最好佩戴 P2 滤网等级的口罩。

请留心并遵守贵国和加工物料有关的法规。

- ▶ **避免让工作场所堆积过多的尘垢。** 尘埃容易被点燃。

操作

操作机器

- ▶ **注意电源的电压！** 电源的电压必须和电动工具铭牌上标示的电压一致。

改变转向

- ▶ **在电动工具完全静止时才可以**使用正逆转开关 4。

使用正逆转开关 4 可以改变机器的转向。如果按住了起停开关 3，则无法改变转向。

正转：适用于正常钻和转紧螺丝时，把正逆转开关 4 向左推到底。

逆转：适用于放松 / 转出螺丝和螺母，把正逆转开关 4 向右推到底。

开动 / 关闭

操作电动工具时先按下电动工具的起停开关 3，并持续按着。

按下锁紧键 2 即可**锁定**被按住的起停开关 3。

为了节约能源，只在当您使用机器时，才开动电动工具。

放开起停开关 3 便可以**关闭**电动工具。

调整转速

你可以无级式调整转速，把起停开关 3 按得越紧，转速就越快。

轻按起停开关 3 机器以低转速运转。逐渐在开关上加压，转速也会跟着提高。

有关操作方式的指点

- ▶ **先关闭电动工具，然后再把工具放置在螺母 / 螺丝上。** 安装在接头上的工具如果仍继续转动，容易从螺丝头上滑开。

在机器以低转速长期运作之后，可让机器在空载的状况下，以最高转速旋转 3 分钟，以加速冷却。

在金属上钻孔时只能使用完好，经过研磨的 HSS 钻头（HSS = 高效率高速钢）。在博世的附件产品系列中，有符合这个品质等级的产品。

把大的、长的螺丝拧入坚硬的物料中之前，必须根据螺纹的中心直径打预钻孔，预钻孔的深度大概为螺丝长度的 $2/3$ 。

维修和服务

维修和清洁

- ▶ **维修电动工具或换装零、配件之前，务必从插座上拔出插头。**

- ▶ **电动工具和通风间隙都必须保持清洁，这样才能提高工作品质和安全性。**

如果必须更换连接线，务必把这项工作交给博世或者经授权的博世电动工具顾客服务执行，以避免危害机器的安全性能。

顾客服务处和顾客咨询中心

本公司顾客服务处负责回答有关本公司产品的修理、维护和备件的问题。以下的网页中有爆炸图和备件的资料：

www.bosch-pt.com

博世顾客咨询团队非常乐意为您解答有关本公司产品及附件的问题。

如需查询和订购备件，请务必提供产品型号铭牌上的 10 位数货号。

有关保证，维修或更换零件事宜，请向合格的经销商查询。

中国大陆

博世电动工具（中国）有限公司

中国 浙江省 杭州市

滨江区滨康路 567 号

邮政编码：310052

免费服务热线：4008268484

传真：(0571) 87774502

电邮：contact.ptcn@cn.bosch.com

www.bosch-pt.com.cn

罗伯特·博世有限公司

香港北角英皇道 625 号 21 楼

客户服务热线：+852 2101 0235

传真：+852 2590 9762

电邮：info@hk.bosch.com

网站：www.bosch-pt.com.hk

制造商地址：

Robert Bosch Power Tools GmbH

罗伯特·博世电动工具有限公司

70538 Stuttgart / GERMANY

70538 斯图加特 / 德国

20 | 中文

處理廢棄物

必須以符合環保的方式，回收再利用損壞的機器、附件和廢棄的包裝材料。

不可以把電動工具丟入家庭垃圾中！

保留修改權。

中文**安全規章****電動工具通用安全警告**

警告 閱讀所有警告和所有說明。不遵照以下警告和說明會導致電擊、著火和/或嚴重傷害。

保存所有警告和說明書以備查閱。

在所有下列的警告中術語“電動工具”指市電驅動（有線）電動工具或電池驅動（無線）電動工具。

工作場地的安全

- ▶ 保持工作場地清潔和明亮。混亂和黑暗的場地會引發事故。
- ▶ 不要在易爆環境，如有易燃液體、氣體或粉塵的環境下操作電動工具。電動工具產生的火花會點燃粉塵或氣體。
- ▶ 讓兒童和旁觀者離開後操作電動工具。注意力不集中會使你失去對工具的控制。

電氣安全

- ▶ 電動工具插頭必須與插座相配。絕不能以任何方式改裝插頭。需接地的電動工具不能使用任何轉換插頭。未經改裝的插頭和相配的插座將減少電擊危險。
- ▶ 避免人體接觸接地表面，如管道、散熱片和冰箱。如果你身體接地會增加電擊危險。
- ▶ 不得將電動工具暴露雨中或潮濕環境中。水進入電動工具將增加電擊危險。
- ▶ 不得濫用電線。絕不能用電線搬運、拉動電動工具或拔出其插頭。使電線遠離熱源、油、銳邊或運動部件。受損或纏繞的軟線會增加電擊危險。
- ▶ 當在戶外使用電動工具時，使用適合戶外使用的外接軟線。適合戶外使用的軟線，將減少電擊危險。
- ▶ 如果在潮濕環境下操作電動工具是不可避免的，應使用剩餘電流動作保護器（RCD）。使用 RCD 可減小電擊危險。

人身安全

- ▶ 保持警覺，當操作電動工具時關注所從事的操作並保持清醒。當你感到疲倦，或在有藥物、酒精或治

療反應時，不要操作電動工具。在操作電動工具時瞬間的疏忽會導致嚴重人身傷害。

- ▶ 使用個人防護裝置。始終佩戴護目鏡。安全裝置，諸如適當條件下使用防塵面具、防滑安全鞋、安全帽、聽力防護等裝置能減少人身傷害。
- ▶ 防止意外起動。確保開關在連接電源和/或電池盒、拿起或搬運工具時處於關斷位置。手指放在已接通電源的開關上或開關處於接通時插入插頭可能會導致危險。
- ▶ 在電動工具接通之前，拿掉所有調節鑰匙或扳手。遺留在電動工具旋轉零件上的扳手或鑰匙會導致人身傷害。
- ▶ 手不要伸展得太長。時刻注意立足點和身體平衡。這樣在意外情況下能很好地控制電動工具。
- ▶ 著裝適當。不要穿寬鬆衣服或佩戴飾品。讓你的衣服、手套和頭髮遠離運動部件。寬鬆衣服、佩飾或長髮可能會捲入運動部件中。
- ▶ 如果提供了與排屑、集塵設備連接用的裝置，要確保他們連接完好且使用得當。使用這些裝置可減少塵屑引起的危險。

電動工具使用和注意事項

- ▶ 不要濫用電動工具，根據用途使用適當的電動工具。選用適當設計的電動工具會使你工作更有效、更安全。
- ▶ 如果開關不能接通或關斷工具電源，則不能使用該電動工具。不能用開關來控制的電動工具是危險的且必須進行修理。
- ▶ 在進行任何調節、更換附件或貯存電動工具之前，必須從電源上拔掉插頭和/或使電池盒與工具脫開。這種防護性措施將減少工具意外起動的危險。
- ▶ 將閒置不用的電動工具貯存在兒童所及範圍之外，並且不要讓不熟悉電動工具或對這些說明不瞭解的人操作電動工具。電動工具在未經培訓的用戶手中是危險的。
- ▶ 保養電動工具。檢查運動件是否調整到位或卡住，檢查零件破損情況和影響電動工具運行的其他狀況。如有損壞，電動工具應在使用前修理好。許多事故由維護不良的電動工具引發。
- ▶ 保持切削刀具鋒利和清潔。保養良好的有鋒利切削刃的刀具不易卡住而且容易控制。
- ▶ 按照使用說明書，考慮作業條件和進行的作業來使用電動工具、附件和工具的刀頭等。將電動工具用於那些與其用途不符的操作可能會導致危險。

檢修

- ▶ 將你的電動工具送交專業維修人員，必須使用同樣的備件進行更換。這樣將確保所維修的電動工具的安全性。

針對電鑽和電動扳手的 safety 規章

- ▶ 如果電動工具提供了輔助手柄便使用它。操作時失控可能導致傷害。
- ▶ 如果安裝在此裝置上的切割配件可能會在作業期間割到暗藏的電線或自身的電源線，請務必從裝置握把上的絕緣處來握住該裝置。切割配件萬一接觸到帶電導線，可能會連帶使裝置上的金屬部件帶電，進而導致操作者觸電。
- ▶ 使用合適的偵測裝置偵察隱藏的電線，或者向當地的相關單位尋求支援。接觸電線可能引起火災並讓操作者觸電。損壞了瓦斯管會引起爆炸。鑿穿水管不僅會造成嚴重的財物損失，也可能導致觸電。
- ▶ 如果安裝在機器上的工具被夾住了，必須馬上關閉電動工具並保持鎮靜。此時機器會產生極高的反應力矩，並進而造成回擊。安裝在機器上的工具容易被夾住如果：
 - 電動工具超荷了，或者
 - 安裝在機器上的工具在工件中歪斜了。
- ▶ 務必握緊電動工具。在擰緊和放鬆螺絲時，可能出現短暫的強大反擊。
- ▶ 工作時必須用雙手握緊電動工具，並且要確保立足穩固。使用雙手比較能夠握穩電動工具。
- ▶ 固定好工件。使用固定裝置或老虎鉗固定工件，會比用手持握工件更牢固。
- ▶ 等待電動工具完全靜止後才能夠放下機器。機器上的工具可能在工作中被夾住，而令您無法控制電動工具。

產品和功率描述



閱讀所有的警告提示和指示。如未確實遵循警告提示和指示，可能導致電擊、火災並且 / 或其他的嚴重傷害。

翻開標示了機器詳解圖的折疊頁。閱讀操作指南時必須翻開折疊頁參考。

按照規定使用機器

本電動工具可以在木材、金屬、陶材和塑料上鑽孔。配備電子調節裝置和正 / 逆轉開關的機器也可以擰入 / 擰出螺絲或攻絲。

插圖上的機件

機件的編號和電動工具詳解圖上的編號一致。

- 1 齒環夾頭
- 2 起停開關的鎖緊鍵
- 3 起停開關
- 4 正逆轉開關
- 5 手柄（絕緣握柄）

- 6 夾頭扳手
- 7 螺絲批嘴*
- 8 通用批嘴連桿*

*圖表或說明上提到的附件，並不包含在基本的供貨範圍中。本公司的附件清單中有完整的附件供應項目。

技術性數據

電鑽		GBM 1000
物品代碼		3 601 AA9 0..
額定輸入功率	瓦	350
輸出功率	瓦	160
無負載轉速	次 / 分	0 - 2800
額定轉速	次 / 分	0 - 2000
轉速控制裝置		●
正 / 逆轉功能		●
夾頭的夾緊範圍	毫米	1 - 10
最大鑽孔直徑		
- 鋼	毫米	10
- 木材	毫米	20
- 鋁	毫米	13
重量符合 EPTA-Procedure 01:2014	公斤	1,2
絕緣等級		□/II

本說明書提供的參數是以 230 伏特為依據，於低電壓地區，此數據有可能不同。

安裝

更換工具（參考插圖 A）

- ▶ 維修電動工具或換裝零、配件之前，務必從插座上拔出插頭。

轉動齒環夾頭 1 至能夠裝入工具為止，安裝好工具。把夾頭扳手 6 插入夾頭 1 上的收緊孔中，並正確地夾緊工具。

起子機的工具（參考插圖 B）

以螺絲批嘴 7 作業時，一定要使用通用批嘴連桿 8。只能選用能夠配合螺絲頭的螺絲批嘴。

更換夾頭

如果電動工具沒有主軸鎖定功能，必須把機器交給經過授權的博世電動工具顧客服務處更換夾頭。



使用約 25 - 30 牛頓米的拉緊扭力擰緊夾頭。

吸鋸塵 / 吸鋸屑

- ▶ 含鉛的顏料以及某些木材、礦物和金屬的加工廢塵有害健康。機器操作者或者工地附近的人如果接觸、吸入這些廢塵，可能會有過敏反應或者感染呼吸道疾病。

某些塵埃（例如加工橡木或山毛櫸的廢塵）可能致癌，特別是和處理木材的添加劑（例如木材的防

22 | 한국어

腐劑等) 結合之後。只有經過專業訓練的人才能夠加工含石棉的物料。

- 工作場所要保持空氣流通。
- 最好佩戴 P2 濾網等級的口罩。

請留心並遵守貴國和加工物料有關的法規。

- ▶ **避免讓工作場所堆積過多的塵垢。** 塵埃容易被點燃。

操作

操作機器

- ▶ **注意電源的電壓！** 電源的電壓必須和電動工具銘牌上標示的電壓一致。

改變轉向

- ▶ **在電動工具完全靜止時才可以使用正逆轉開關 4。**

使用正逆轉開關 4 可以改變機器的轉向。如果按住了起停開關 3，則無法改變轉向。

正轉：適用於正常鑽和轉緊螺絲時，把正逆轉開關 4 向左推到底。

逆轉：適用於放鬆 / 轉出螺絲和螺母，把正逆轉開關 4 向右推到底。

開動 / 關閉

操作電動工具時先按下電動工具的起停開關 3，並持續按著。

按下鎖緊鍵 2 即可**鎖定**被按住的起停開關 3。

為了節約能源，只在當您要使用機器時，才開動電動工具。

放回起停開關 3 便可以**關閉**電動工具。

調整轉速

你可以無級式調整轉速，把起停開關 3 按得越緊，轉速就越快。

輕按起停開關 3 機器以低轉速運轉。逐漸在開關上加壓，轉速也會跟著提高。

有關操作方式的指點

- ▶ **先關閉電動工具，然後再把工具放置在螺母 / 螺絲上。** 安裝在接頭上的工具如果仍繼續轉動，容易從螺絲頭上滑開。

在機器以低轉速長期運作之後，可讓機器在空載的狀況下，以最高轉速旋轉 3 分鐘，以加速冷卻。

在金屬上鑽孔時只能使用完好，經過研磨的 HSS 鑽頭 (HSS = 高效率高速鋼)。在博世的附件產品系列中，有符合這個品質等級的產品。

把大的、長的螺絲擰入堅硬的物料中之前，必須根據螺紋的中心直徑打預鑽孔，預鑽孔的深度大概為螺絲長度的 $\frac{2}{3}$ 。

維修和服務

維修和清潔

- ▶ **維修電動工具或換裝零、配件之前，務必從插座上拔出插頭。**
- ▶ **電動工具和通風間隙都必須保持清潔，這樣才能夠提高工作品質和安全性。**

如果必須更換連接線，務必把這項工作交給博世或者經授權的博世電動工具顧客服務執行，以避免危害機器的安全性能。

顧客服務處和顧客諮詢中心

本公司顧客服務處負責回答有關本公司產品的修理、維護和備件的問題。以下的網頁中有爆炸圖和備件的資料：

www.bosch-pt.com

博世顧客諮詢團隊非常樂意為您解答有關本公司產品及附件的問題。

當您需要諮詢或訂購備用零組件時，請務必提供本產品型號銘牌上的 10 位項目編號。

台灣

台灣羅伯特博世股份有限公司

建國北路一段 90 號 6 樓

台北市 10491

電話：(02) 2515 5388

傳真：(02) 2516 1176

www.bosch-pt.com.tw

制造商地址：

Robert Bosch Power Tools GmbH

羅伯特·博世電動工具有限公司

70538 Stuttgart / GERMANY

70538 斯圖加特 / 德國

處理廢棄物

必須以符合環保的方式，回收再利用損壞的機器、附件和廢棄的包裝材料。

不可以把電動工具丟入家庭垃圾中。

保留修改權。

한국어

안전 수칙

전동공구용 일반 안전수칙

⚠ 경고 모든 안전수칙과 지시 사항을 상세히 읽고 지켜야 합니다. 다음의 안전수칙과 지시 사항을 준수하지 않으면 화재 위험이 있으며 감전 혹은 중상을 입을 수 있습니다.

앞으로의 참고를 위해 이 안전수칙과 사용 설명서를 잘 보관하십시오.

다음에서 사용되는 “전동공구” 라는 개념은 전원에 연결하여 사용하는 전동 기기 (전선이 있는) 나 배터리를 사용하는 전동 기기 (전선이 없는) 를 의미합니다.

작업장 안전

- ▶ **작업장을 항상 깨끗이 하고 조명을 밝게 하십시오.** 작업장 환경이 어수선하거나 어두우면 사고를 초래할 수 있습니다.
- ▶ **가연성 유체, 가스 또는 분진이 있어 폭발 위험이 있는 환경에서 전동공구를 사용하지 마십시오.** 전동공구는 분진이나 증기에 점화하는 스파크를 일으킬 수 있습니다.
- ▶ **전동공구를 사용할 때 구경꾼이나 어린이 혹은 다른 사람이 작업장에 접근하지 못하게 하십시오.** 다른 사람이 주의를 산만하게 하면 기기에 대한 통제를 잃기 쉽습니다.

전기에 관한 안전

- ▶ **전동공구의 전원 플러그가 전원 콘센트에 잘 맞아야 합니다.** 플러그를 조금이라도 변경시켜서는 안됩니다. 접지된 전동공구를 사용할 때 어댑터 플러그를 사용하지 마십시오. 변형되지 않은 플러그와 잘 맞는 콘센트를 사용하면 감전의 위험을 감소할 수 있습니다.
- ▶ **파이프 관, 라디에이터, 레인지, 냉장고와 같은 접지 표면에 몸이 닿지 않도록 하십시오.** 몸에 닿을 경우 감전될 위험이 높습니다.
- ▶ **전동공구를 비에 맞지 않게 하고 습기 있는 곳에 두지 마십시오.** 전동공구에 물이 들어가면 감전될 위험이 높습니다.
- ▶ **전원 코드를 잡고 전동공구를 운반하거나 걸어 놓아서는 안되며, 콘센트에서 전원 플러그를 뽑을 때 전원 코드를 잡아 당겨서는 절대로 안됩니다.** 전원 코드가 열과 오일에 접촉하는 것을 피하고, 날카로운 모서리나 기기의 가동 부위에 닿지 않도록 주의하십시오. 손상되거나 영긴 전원 코드는 감전을 유발할 수 있습니다.
- ▶ **실외에서 전동공구로 작업할 때는 실외용으로 적당한 연장 전원 코드만을 사용하십시오.** 실외용 연장 전원 코드를 사용하면 감전의 위험을 줄일 수 있습니다.
- ▶ **전동공구를 습기 찬 곳에서 사용해야 할 경우에는 누전 차단기를 사용하십시오.** 누전 차단기를 사용하면 감전 위험을 줄일 수 있습니다.

사용자 안전

- ▶ **신중하게 작업하십시오.** 작업을 할 때 주의를 하며, 전동공구를 사용할 때 경솔하게 행동하지 마십시오. 피로한 상태이거나 약을 복용 및 음주한 후에는 전동공구를 사용하지 마십시오. 전동공구를 사용할 때 잠시라도 주의를 산만해지면 중상을 입을 수 있습니다.

- ▶ **작업자 안전을 위한 장치를 사용하십시오.** 항상 보호안경을 착용하십시오. 전동공구의 종류와 사용에 따라 먼지 보호 마스크, 미끄러지지 않는 안전한 신발, 안전모 또는 귀마개 등의 안전한 복장을 하면 상해의 위험을 줄일 수 있습니다.
- ▶ **실수로 기기가 작동되지 않도록 주의하십시오.** 전동공구를 전원에 연결하거나 배터리를 끼우기 전에, 혹은 기기를 들거나 운반하기 전에, 전원 스위치가 꺼져 있는지 다시 확인하십시오. 전동공구를 운반할 때 전원 스위치에 손가락을 대거나 전원 스위치가 켜진 상태에서 전원을 연결하면 사고 위험이 높습니다.
- ▶ **전동공구를 사용하기 전에 조절하는 물이나 나사 키동을 빼 놓으십시오.** 회전하는 부위에 있는 물이나 나사 키로 인해 상처를 입을 수 있습니다.
- ▶ **자신을 과신하지 마십시오.** 불안정한 자세를 피하고 항상 평형을 이룬 상태로 작업하십시오. 안정된 자세와 평형한 상태로 작업해야만이 의외의 상황에서 전동공구를 안전하게 사용할 수 있습니다.
- ▶ **알맞은 작업복을 입으십시오.** 헐렁한 복장을 하거나 장신구를 착용하지 마십시오. 머리카락 또는 장갑이 가동하는 기기 부위에 가까이 닿지 않도록 주의하십시오. 헐렁한 복장, 장신구 혹은 긴 머리는 가동 부위에 말려 사고를 초래할 수 있습니다.
- ▶ **분진 추출장치나 수거장치의 조립이 가능한 경우, 이 장치가 연결되어 있는지, 제대로 작동이 되는지 확인하십시오.** 이러한 분진 추출장치를 사용하면 분진으로 인한 사고 위험을 줄일 수 있습니다.

전동공구의 올바른 사용과 취급

- ▶ **기기를 과부하 상태에서 사용하지 마십시오.** 작업할 때 이에 적당한 전동공구를 사용하십시오. 알맞은 전동공구를 사용하면 지정된 성능 한도 내에서 더 효율적으로 안전하게 작업할 수 있습니다.
- ▶ **전원 스위치가 고장 난 전동공구를 사용하지 마십시오.** 전원 스위치가 작동되지 않는 전동공구는 위험하므로, 반드시 수리를 해야 합니다.
- ▶ **기기에 세팅을 하거나 액세서리 부품을 교환하거나 혹은 기기를 보관할 때, 항상 전원 콘센트에서 플러그를 미리 빼어 놓으십시오.** 이러한 조치는 실수로 전동공구가 작동하게 되는 것을 예방합니다.
- ▶ **사용하지 않는 전동공구는 어린이 손이 닿지 않는 곳에 보관하고, 전동공구 사용에 익숙지 않거나 이 사용 설명서를 읽지 않은 사람은 기기를 사용해서는 안 됩니다.** 경험이 없는 사람이 전동공구를 사용하면 위험합니다.
- ▶ **전동공구를 조심스럽게 관리하십시오.** 가동 부위가 하자 없이 정상적인 기능을 하는지, 걸리는 부위가 있는지, 혹은 전동공구의 기능에 중요한 부품이 손상되지 않았는지 확인하십시오. 손상된 기기의 부품은 전동공구를 다시 사용하기 전에 반드시 수리를 맡기십시오. 제대로 관리하지 않은 전동공구의 경우 많은 사고를 유발합니다.

24 | 한국어

- ▶ **절단 공구를 날카롭고 깨끗하게 관리하십시오.** 날카로운 절단면이 있고 잘 관리된 절단공구는 걸리는 경우가 드물고 조절하기도 쉽습니다.
- ▶ **전동공구, 액세서리, 장착하는 공구 등을 사용할 때, 이 지시 사항과 특별히 기종 별로 나와있는 사용 방법을 준수하십시오.** 이때 작업 조건과 실시하려는 작업 내용을 고려하십시오. 원래 사용 분야가 아닌 다른 작업에 전동공구를 사용할 경우 위험한 상황을 초래할 수 있습니다.

서비스

- ▶ **전동공구 수리는 반드시 전문 인력에게 맡기고, 수리 정비 시 보수 순정 부품만을 사용하십시오.** 그렇게 함으로써 기기의 안전성을 오래 유지할 수 있습니다.

드릴 머신과 스크류 드라이버용 안전 수칙

- ▶ **보조 손잡이가 전동공구와 함께 공급되는 경우 이를 사용하십시오.** 통제를 잃게되면 상해를 입을 수 있습니다.
- ▶ **작업 시, 보이지 않는 전선이나 기기 자체의 코드에 닿을 위험이 있으면 전동공구 손잡이의 절연된 부분을 잡으십시오.** 전류가 흐르는 전선에 기기가 닿을 경우 기기 금속 부위에도 전류가 흘러 감전 위험이 있습니다.
- ▶ **보이지 않는 배관 설비를 확인하려면 적당한 탐지기를 사용하거나 담당 에너지 공급회사에 문의하십시오.** 전선에 접하게 되면 화재나 전기 충격을 야기할 수 있습니다. 가스관을 손상시키면 폭발 위험이 있습니다. 수도관을 파손하게 되면 재산 피해를 유발하거나 전기 충격을 야기할 수 있습니다.
- ▶ **툴 홀더에 끼워진 비트가 물리면 즉시 전동공구 스위치를 끄십시오.** 반동을 유발할 수 있는 강한 반동력이 생길 수 있습니다. 툴 홀더에 끼워진 비트는 다음의 경우 물립니다:
 - 전동공구가 과부하된 상태이거나
 - 작업하려는 소재에 걸렸을 경우 물립니다.
- ▶ **전동공구를 꼭 잡으십시오.** 나사못을 조이거나 풀 때 일시적으로 강한 반동력이 생길 수 있습니다.
- ▶ **전동공구를 두 손으로 꼭 잡고 안전한 자세로 작업하십시오.** 전동공구는 두 손으로 사용하면 더 안전합니다.
- ▶ **작업물을 잘 고정하십시오.** 고정장치나 기계 바이스에 끼워서 작업하면 손으로 잡는 것보다 더 안전합니다.
- ▶ **전동공구를 내려놓기 전에 기기가 완전히 멈추는 지를 확인하십시오.** 벨트가 걸려 전동공구에 대한 통제가 어려워질 수 있습니다.

제품 및 성능 소개



모든 안전수칙과 지시 사항을 상세히 읽고 지켜야 합니다. 다음의 안전수칙과 지시 사항을 준수하지 않으면 화재 위험이 있으며 감전 혹은 중상을 입을 수 있습니다.

사용 설명서를 읽는 동안 기기의 그림이 나와 있는 접힌 면을 펴 놓고 참고하십시오.

규정에 따른 사용

전동공구는 목재 금속 세라믹 플라스틱에 드릴작업을 하는데 사용해야 합니다. 전자 제어장치와 좌우 회전기능이 있는 전동공구는 스크류작업과 나사산 절삭작업(태핑작업)도 가능합니다.

제품의 주요 명칭

제품의 주요 명칭에 표기되어 있는 번호는 기기 그림이 나와있는 면을 참고하십시오.

- 1 키 타입 척
- 2 전원 스위치 잠금 버튼
- 3 전원 스위치
- 4 회전방향 선택 스위치
- 5 손잡이 (절연된 손잡이 부위)
- 6 드릴 척 키
- 7 스크류 드라이버 비트*
- 8 유니버설 비트 홀더*

*도면이나 설명서에 나와있는 액세서리는 표준 공급부품에 속하지 않습니다. 전체 액세서리는 저회 액세서리 프로그램을 참고하십시오.

제품 사양

드릴 머신	GBM 1000	
제품 번호	3 601 AA9 0..	
소비 전력	W	350
출력	W	160
무부하 속도	rpm	0 - 2800
정격 속도	rpm	0 - 2000
속도 제어	●	
역회전 기능	●	
드릴 척 클램핑 범위	mm	1 - 10
드릴 직경, 최대		
- 철재	mm	10
- 목재	mm	20
- 알루미늄	mm	13
EPTA 공정 01:2014 에 따른		
중량	kg	1,2
안전 등급	□/II	

자료는 정격 전압 [U] 230 V 를 기준으로 한 것입니다. 전압이 낮거나 각국의 특수한 모델에 따라 달라질 수 있습니다.

조립

액세서리의 교환 (그림 A 참조)

▶ 전동공구를 보수 정비하기 전에 반드시 콘센트에서 전원 플러그를 빼십시오.

키 타입 칩 1을 비트가 끼워질 수 있을 정도 까지 돌려 열어 준 다음에 비트를 끼웁니다.

칩 키 6을 해당하는 키 타입 칩 1의 구멍에 끼우고 비트를 일정하게 고정합니다.

스크류 드라이버 비트 (그림 B 참조)

스크류 드라이버 비트 7로 작업할 때, 반드시 유니버설 비트 홀더 8을 사용해야 합니다. 나사못 머리에 맞는 스크류 드라이버 비트만을 사용하십시오.

드릴 칩 교환하기

드릴 스피indle 고정 장치가 없는 전동공구의 경우 드릴 칩의 교환은 보쉬 지정 전동공구 서비스 센터에 맡겨야 합니다.



드릴 칩은 약 25/30 Nm의 고정 토크로 조여야 합니다.

분진 및 톱밥 추출장치

▶ 납 성분을 포함한 페인트나 몇몇 나무 종류, 또는 광물 성분 그리고 철과 같은 재료의 분진은 건강을 해칠 수 있습니다. 이 분진을 만지거나 호흡할 경우, 사용자나 주변 사람들은 알레르기 반응이나 호흡기 장애를 일으킬 수 있습니다.

떡갈나무나 너도밤나무와 같은 특정한 분진은 암을 유발시키며, 특히 목재 처리용으로 사용되는 부가 원료 (크로마트, 목재 보호제)와 혼합되면 암을 유발시키게 됩니다. 석면 성분을 포함한 재료는 오직 전문가가 작업을 해야 합니다.

- 작업장의 통풍이 잘 되도록 하십시오.
- 필터등급 P2가 장착된 호흡 마스크를 사용하십시오.

작업용 재료에 관해 국가가 지정한 규정을 고려 하십시오.

▶ 작업장에 분진이 쌓이지 않도록 하십시오. 분진이 쉽게 발화할 수 있습니다.

작동

기계 시동

▶ 공공 배전 전압에 주의! 공급되는 전원의 전압은 전동공구의 명판에 표기된 전압과 동일해야 합니다.

회전방향 설정하기

▶ 회전방향 선택 스위치 4은 전동공구가 정지된 상태에서만 사용해야 합니다.

회전방향 선택 스위치 4로 기기의 회전 방향을 선택할 수 있습니다. 그러나 전원 스위치 3이 눌러진 상태에서는 작동이 불가능합니다.

정회전: 드릴작업이나 스크류작업을 하려면 회전방향 선택 스위치 4를 왼쪽으로 끝까지 밀니다.

역회전: 나사못이나 너트를 느슨하게 하거나 푸는 작업을 하려면, 회전방향 선택 스위치 4를 오른쪽 끝까지 밀니다.

전원 스위치 작동

전동공구를 작동하려면 전원 스위치 3을 누르고 누른 상태를 유지하십시오.

전원 스위치 3을 누른 상태로 유지하려면, 잠금 버튼 2를 누르십시오.

에너지를 절약하기 위해 전동공구를 사용할 경우에만 스위치를 켜십시오.

전동공구의 스위치를 끄려면 전원 스위치 3을 놓으면 됩니다.

속도 조절

작동하고 있는 전동공구의 속도를 연속적으로 조절할 수 있는데, 전원 스위치 3을 어느 정도 세게 누르는가에 달려 있습니다.

전원 스위치 3을 살짝 누르면 저속으로 작동합니다. 세게 누르면 속도가 빨라집니다.

사용방법

▶ 전동공구의 스위치가 꺼진 상태에서만 나사못에 대십시오. 회전하는 드릴 비트가 미끄러질 수 있습니다.

낮은 속도로 장기간 연속 작업을 했을 경우, 기기를 약 3분간 무부하 상태에서 최고 속도로 작동시킨 후 식히십시오.

금속에 드릴작업을 할 때 항상 하자가 없는 날카로운 HSS 드릴 비트(HSS = 하이 스피드 스틸)만을 사용하십시오. 보쉬 액세서리 프로그램은 이에 상응하는 품질을 보증합니다.

경질 작업 소재에 크고 긴 나사못을 끼우기 전에, 나사산의 중심 직경으로 나사못 길이의 약 2/3에 해당하는 초기 드릴작업을 하는 게 좋습니다.

보수 정비 및 서비스

보수 정비 및 유지

▶ 전동공구를 보수 정비하기 전에 반드시 콘센트에서 전원 플러그를 빼십시오.

▶ 안전하고 올바른 작동을 위하여 전동공구와 전동공구의 통풍구를 항상 깨끗이 하십시오.

연결 코드를 교환해야 할 경우 안전을 기하기 위해 보쉬사나 보쉬 지정 전동공구 서비스 센터에 맡겨야 합니다.

보쉬 AS 및 고객 상담

보쉬는 귀하의 제품 및 수리에 관한 문의를 받고 있습니다.

AS 센터 정보 및 제품에 대한 고객 상담은 하기 고객

26 | ภาษาไทย

콜센터 및 이메일 상담을 이용해주시기 바랍니다.

고객 콜센터 : 080-955-0909

이메일 상담 :

Bosch-pt.hotline@kr.bosch.com

문이나 대체 부품 주문 시에는 반드시 제품 네임 플레이트에 있는 10 자리의 부품번호를 알려 주십시오.

Bosch Korea, RBKR

Mechanics and Electronics Ltd.

PT/SAX-ASA

298 Bojeong-dong Giheung-gu

Yongin-si, Gyeonggi-do, 446-913

Republic of Korea

080-955-0909

처리

기기와 액세서리 및 포장 등은 친환경적인 방법으로 재활용할 수 있도록 분류하십시오.

전동공구를 가정용 쓰레기로 처리하지 마십시오!

위 사항은 사전 예고 없이 변경될 수도 있습니다.

ภาษาไทย

กฎระเบียบเพื่อความปลอดภัย

คำเตือนทั่วไปเพื่อความปลอดภัยในการใช้เครื่องมือไฟฟ้า

! คำเตือน ต้องอ่านคำเตือนเพื่อความปลอดภัยและคำสั่งทั้งหมด การไม่ปฏิบัติตามคำเตือนและคำสั่งอาจเป็นสาเหตุให้ถูกไฟฟ้าดูด เกิดไฟไหม้ และ/หรือได้รับบาดเจ็บอย่างร้ายแรง

เก็บรักษาคำเตือนและคำสั่งทั้งหมดสำหรับเปิดอ่านในภายหลัง

คำว่า "เครื่องมือไฟฟ้า" ในคำเตือนหมายถึง เครื่องมือไฟฟ้าของงานที่ทำงานด้วยพลังงานไฟฟ้าที่ต่อจากเต้าเสียบ (มีสายไฟฟ้า) และเครื่องมือไฟฟ้าที่ทำงานด้วยพลังงานไฟฟ้าจากแบตเตอรี่ (ไร้สาย)

ความปลอดภัยในสถานที่ทำงาน

- ▶ **รักษาสถานที่ทำงานให้สะอาดและมีไฟส่องสว่าง** ที่สถานที่ที่มีดหรือกรงูรังนามาซึ่งอุบัติเหตุ
- ▶ **อย่าใช้เครื่องมือไฟฟ้าในสภาพแวดล้อมที่เสี่ยงต่อการติดระเบิดได้ เช่น ในที่ที่มีของเหลว แก๊ส หรือฝุ่นที่ติดไฟได้** เมื่อใช้เครื่องมือไฟฟ้าจะเกิดประกายไฟซึ่งอาจจุดฝุ่นหรือไอให้ลุกเป็นไฟได้
- ▶ **ขณะใช้เครื่องมือไฟฟ้าทำงาน ต้องกันเด็กและผู้ยืนดูให้ออกห่าง** การหันเหความสนใจอาจทำให้ท่านขาดการควบคุมเครื่องได้

ความปลอดภัยเกี่ยวกับไฟฟ้า

- ▶ **ปลั๊กของเครื่องมือไฟฟ้าต้องมีขนาดพอดีกับเต้าเสียบ** อย่าตัดแปลงหรือแก้ไขตัวปลั๊กอย่างเด็ดขาด อย่าต่อ

ปลั๊กต่อใดๆ เข้ากับเครื่องมือไฟฟ้าที่มีสายดิน ปลั๊กที่ไม่ตัดแปลงและเต้าเสียบที่เข้ากับขั้วลดความเสี่ยงจากการถูกไฟฟ้าดูด

- ▶ **หลีกเลี่ยงไม่ให้ร่างกายสัมผัสกับพื้นผิวของสิ่งของที่ต่อสายดินไว้ เช่น ท่อ เครื่องทำความร้อน เตา และตู้เย็น** จะเสี่ยงอันตรายจากการถูกไฟฟ้าดูดมากขึ้นหากกระแสไฟฟ้าวิ่งผ่านร่างกายของท่านลงดิน
- ▶ **อย่าวางเครื่องมือไฟฟ้าคาบคนหรือทิ้งไว้ในที่ชื้นและหากน้ำเข้าในเครื่องมือไฟฟ้า จะเพิ่มความเสี่ยงจากการถูกไฟฟ้าดูด**
- ▶ **อย่าใช้สายไฟฟ้าอย่างผิดๆ** อย่าถือเครื่องมือไฟฟ้าที่สาย อย่าใช้สายแฉกเครื่อง หรืออย่าดึงสายไฟฟ้าเพื่อถอดปลั๊กออกจากเต้าเสียบ กันสายไฟฟ้าออกห่างจากความร้อน น้ำมัน ขอบแหลมคม หรือส่วนของเครื่องที่กำลังเคลื่อนไหว สายไฟฟ้าที่ชำรุดหรือพันกันยุ่งเพิ่มความเสี่ยงจากการถูกไฟฟ้าดูด
- ▶ **เมื่อใช้เครื่องมือไฟฟ้าทำงานกลางแจ้ง ให้ใช้สายไฟต่อที่ได้รับการรับรองให้ใช้ต่อในที่กลางแจ้งเท่านั้น** การใช้สายไฟต่อที่เหมาะสมสำหรับงานกลางแจ้งช่วยลดอันตรายจากการถูกไฟฟ้าดูด
- ▶ **หากไม่สามารถหลีกเลี่ยงการใช้เครื่องมือไฟฟ้าทำงานในสถานที่เปียกชื้นได้ ให้ใช้วิธีตัดวงจรเมื่อเกิดการรั่วไหลของไฟฟ้าจากสายดิน** การใช้วิธีตัดวงจรเมื่อเกิดการรั่วไหลของไฟฟ้าจากสายดินช่วยลดความเสี่ยงต่อการถูกไฟฟ้าดูด

ความปลอดภัยของบุคคล

- ▶ **ท่านต้องอยู่ในสภาพเตรียมพร้อม ระมัดระวังในสิ่งที่กำลังทำอยู่ และมีสติขณะใช้เครื่องมือไฟฟ้าทำงาน** อย่าใช้เครื่องมือไฟฟ้าขณะที่ท่านกำลังเหนื่อย หรืออยู่ภายใต้การครอบงำของฤทธิ์ของยาเสพติด แอลกอฮอล์ และยา เมื่อใช้เครื่องมือไฟฟ้าทำงาน ในชั่วขณะที่ท่านขาดความเอาใจใส่อาจทำให้บุคคลบาดเจ็บอย่างรุนแรงได้
- ▶ **ใช้อุปกรณ์ปกป้องร่างกาย สวมแว่นตาป้องกันเสมอ** อุปกรณ์ปกป้อง เช่น หมวกกันน็อก รองเท้ากันลื่น หมวกแก้ง หรือประคบหูกันเสียงดัง ที่เลือกใช้ตามความเหมาะสมกับสภาพการทำงาน สามารถลดอันตรายต่อบุคคลได้
- ▶ **ป้องกันการติดเครื่องโดยไม่ตั้งใจ ต้องดูให้แน่ใจว่าสวิทช์อยู่ในตำแหน่งปิดก่อนเสียบปลั๊กไฟเข้าในเต้าเสียบ และ/หรือใส่แท่งแบตเตอรี่ ยกขึ้นหรือถือเครื่องมือ** การถือเครื่องโดยใช้นิ้วหัวที่สวิทช์ หรือเสียบปลั๊กไฟในขณะที่สวิทช์เปิดอยู่ อาจนำไปสู่อุบัติเหตุที่ร้ายแรงได้
- ▶ **เอาเครื่องมือปรับแต่งหรือประแจปากตายออกจากเครื่องมือไฟฟ้าก่อนเปิดสวิทช์** เครื่องมือหรือประแจปากตายที่วางอยู่กับส่วนของเครื่องที่กำลังหมุนจะทำให้บุคคลบาดเจ็บได้
- ▶ **หลีกเลี่ยงการตั้งท่าที่ผิดปกติ ตั้งท่ายืนที่มั่นคงและวางน้ำหนักให้สมดุลตลอดเวลา** ในลักษณะนี้ท่านสามารถควบคุมเครื่องมือไฟฟ้าในสถานการณ์ที่ไม่คาดคิดได้ดีกว่า
- ▶ **ใส่เสื้อผ้าที่เหมาะสม** อย่าใส่เสื้อผ้าหลวมหรือสวมเครื่องประดับ เอามม เสื้อผ้า และถุงมือออกห่างส่วน

ของเครื่องที่กำลังหมุน เลื่อนผ้าหลวม เครื่องประดับ และผมยาวอาจเข้าไปติดในส่วนของเครื่องที่กำลังหมุนได้

- ▶ หากต้องต่อเครื่องมือไฟฟ้าเข้ากับเครื่องดูดฝุ่นหรือเครื่องเก็บผง ดูให้แน่ใจว่าการเชื่อมต่อและการใช้งานเป็นไปอย่างถูกต้อง การใช้อุปกรณ์ดูดฝุ่นช่วยลดอันตรายที่เกิดจากฝุ่นได้

การใช้และการดูแลรักษาเครื่องมือไฟฟ้า

- ▶ อย่าใช้เครื่องมือไฟฟ้าอย่างหักโหม ใช้เครื่องมือไฟฟ้าที่ถูกต้องตรงตามลักษณะงาน เครื่องมือไฟฟ้าที่ถูกต้องจะทำงานได้ดีกว่าและปลอดภัยกว่าในระดับสมรรถภาพที่ออกแบบไว้
- ▶ อย่าใช้เครื่องมือไฟฟ้าที่สวิตช์เปิดปิดเสีย เครื่องมือไฟฟ้าที่ไม่สามารถควบคุมการเปิดปิดด้วยสวิตช์ได้ เป็นเครื่องมือไฟฟ้าที่ไม่ปลอดภัยและต้องส่งซ่อมแซม
- ▶ ก่อนปรับแต่งเครื่อง เปลี่ยนอุปกรณ์ประกอบ หรือเก็บเครื่องเข้าที่ ต้องถอดปลั๊กไฟออกจากเต้าเสียบและ/หรือถอดแท่งแบตเตอรี่ออกจากเครื่องมือไฟฟ้า มาตรการป้องกันเพื่อความปลอดภัยนี้ช่วยลดความเสี่ยงจากการติดเครื่องโดยไม่ตั้งใจ
- ▶ เมื่อเลิกใช้งานเครื่องมือไฟฟ้า ให้เก็บเครื่องไว้ในที่ที่เด็กหยิบไม่ถึง และไม่อนุญาตให้บุคคลที่ไม่คุ้นเคยกับเครื่องหรือบุคคลที่ไม่ได้อ่านคำแนะนำนี้ใช้เครื่องมือไฟฟ้าเป็นของอันตรายหากตกอยู่ในมือของผู้ใช้ที่ไม่ได้รับการฝึกฝน
- ▶ เอาใจใส่ดูแลรักษาเครื่อง ตรวจสอบหาส่วนที่เคลื่อนไหวได้ของเครื่องว่าวางอยู่ตรงแนวหรือติดขัดหรือไม่ ตรวจสอบการแตกหักของชิ้นส่วนและสภาพอื่นใดที่อาจมีผลต่อการทำงานของเครื่องมือไฟฟ้า หากชำรุดต้องส่งเครื่องมือไฟฟ้าเป็นของชำรุดก่อนใช้งาน อุบัติเหตุหลายอย่างเกิดขึ้นเนื่องจากดูแลรักษาเครื่องไม่ดีพอ
- ▶ รักษาเครื่องมือตัดให้คมและสะอาด หากบำรุงรักษาเครื่องมือที่มีขอบตัดแหลมคมอย่างถูกต้อง จะสามารถตัดได้ลื่นไม่ติดขัดและควบคุมได้ง่ายกว่า
- ▶ ใช้เครื่องมือไฟฟ้า อุปกรณ์ประกอบ เครื่องมือ และอุปกรณ์อื่นๆ ให้ตรงตามคำแนะนำนี้ และในลักษณะตามที่เครื่องมือไฟฟ้าประเภทนั้นๆ กำหนดไว้ โดยต้องคำนึงถึงเงื่อนไขการทำงานและงานที่จะทำด้วย การใช้เครื่องมือไฟฟ้าทำงานที่ต่างไปจากวัตถุประสงค์การใช้งานของเครื่อง อาจนำไปสู่สถานการณ์ที่เป็นอันตรายได้

การบริการ

- ▶ ส่งเครื่องมือไฟฟ้าให้ช่างผู้เชี่ยวชาญตรวจสอบและใช้อะไหล่เปลี่ยนของแท้เท่านั้น ในลักษณะนี้ท่านจะแน่ใจได้ว่าเครื่องมือไฟฟ้าอยู่ในสภาพที่ปลอดภัย

คำแนะนำเพื่อความปลอดภัยสำหรับส่วนและโซ่ควง

- ▶ หากด้ามจับเพิ่มจัดส่งมาพร้อมกับเครื่อง ให้ใช้ด้ามจับเพิ่มร่วมด้วย การสูญเสียการควบคุมอาจทำให้บุคคลบาดเจ็บได้
- ▶ เมื่อทำงานในบริเวณที่เครื่องมืออาจสัมผัสกับสายไฟฟ้าที่ซ่อนอยู่หรือสายไฟฟ้าของเครื่อง ต้องจับเครื่องมือไฟฟ้าตรงด้ามจับที่หุ้มฉนวน การสัมผัสกับสายที่มีกระแสไฟฟ้าไหลผ่านจะทำให้ส่วนที่เป็นโลหะของเครื่องมือไฟฟ้า

กิดมีกระแสไฟฟ้าด้วย และส่งผลให้ผู้ใช้อุปกรณ์ถูกไฟฟ้าดูดได้

- ▶ ใช้เครื่องตรวจที่เหมาะสมตรวจหาท่อ สายไฟฟ้า หรือสายโทรศัพท์ ที่อาจซ่อนอยู่ในบริเวณที่ทำงาน หรือขอความช่วยเหลือจากบริษัทสาธารณูปโภคในท้องถิ่น การสัมผัสกับสายไฟฟ้าอาจทำให้เกิดไฟไหม้หรือถูกไฟฟ้าดูด การทำให้ท่อแก๊สเสียหายอาจทำให้เกิดระเบิด การเจาะเข้าไปในท่อน้ำทำให้ทรัพย์สินเสียหาย หรืออาจเป็นเหตุให้ถูกไฟฟ้าดูดได้
- ▶ ปิดเครื่องมือไฟฟ้าทันทีที่เครื่องมือที่ใส่อยู่เกิดติดขัด เครื่องมือที่ใส่อยู่ติดขัดเนื่องจาก:
 - เครื่องมือไฟฟ้าถูกใช้งานเกินกำลังปกติ หรือ
 - เครื่องมือที่มียังอยู่ในชิ้นงาน
- ▶ จับเครื่องมือไฟฟ้าให้แน่น ขณะขันสกรูเข้าและคลายออก อาจเกิดแรงบิดสะท้อนช่วงสั้นๆ อย่างรุนแรงได้
- ▶ เมื่อใช้เครื่องทำงาน ต้องใช้มือทั้งสองจับเครื่องให้แน่น และตั้งท้ายที่มั่นคงเสมอ เครื่องมือไฟฟ้าสามารถเคลื่อนนำได้มั่นคงกว่าเมื่อใช้มือทั้งสองข้างจับ
- ▶ ยึดชิ้นงานให้แน่น การยึดชิ้นงานด้วยเครื่องหนีบหรือแท่นจับจะมั่นคงกว่าการยึดด้วยมือ
- ▶ ก่อนวางเครื่องลงบนพื้นทุกครั้งต้องรอให้เครื่องหยุดนิ่งอยู่กับที่เสมอ มิฉะนั้นเครื่องมือที่ใส่อยู่อาจติดขัดและนำไปสู่การสูญเสียการควบคุมเครื่องมือไฟฟ้า

รายละเอียดผลิตภัณฑ์และข้อมูลจำเพาะ



ต้องอ่านคำเตือนเพื่อความปลอดภัยและคำสั่งทั้งหมด การไม่ปฏิบัติตามคำเตือนและคำสั่งอาจเป็นสาเหตุให้ถูกไฟฟ้าดูด เกิดไฟไหม้ และ/หรือได้รับบาดเจ็บอย่างร้ายแรง

ขณะอ่านคู่มือการใช้งานเครื่อง ให้เปิดหน้าที่แสดงภาพประกอบของเครื่องและเปิดคำไว้

ประโยชน์การใช้งานของเครื่อง

เครื่องนี้ใช้สำหรับเจาะในไม้ โลหะ เซรามิก และพลาสติก เครื่องที่มีระบบควบคุมอิเล็กทรอนิกส์และการหมุนช่วย/ขวาสามารถใช้ขันสกรูและทำเกลียวได้ด้วย

ส่วนประกอบผลิตภัณฑ์

ลำดับเลขของส่วนประกอบผลิตภัณฑ์อ้างอิงถึงส่วนประกอบของเครื่องที่แสดงในหน้าภาพประกอบ

- 1 หัวจับดอกชนิดมีเฟืองใน
- 2 ปุ่มล็อกสวิตช์เปิด-ปิด
- 3 สวิตช์เปิด-ปิด
- 4 สวิตช์เปลี่ยนทิศทางการหมุน
- 5 ด้ามจับ (พื้นผิวจับหุ้มฉนวน)
- 6 ประแจหัวจับดอก
- 7 ดอกไขควง*
- 8 ด้ามจับดอกทั่วไป*

28 | ภาษาไทย

*อุปกรณ์ประกอบที่แสดงหรือระบุไม่รวมอยู่ในการจัดส่งมาตรฐาน
กรุณาดูอุปกรณ์ประกอบทั้งหมดในรายการแสดงอุปกรณ์ประกอบ
ของเรา

ข้อมูลทางเทคนิค

สว่านไฟฟ้า		GBM 1000
หมายเลขสินค้า		3 601 AA9 0..
กำลังไฟฟ้าเข้ากำหนด	วัตต์	350
กำลังไฟ้ออก	วัตต์	160
ความเร็วรอบเดินตัวเปล่า	รอบ/นาที	0 – 2800
ความเร็วรอบกำหนด	รอบ/นาที	0 – 2000
การควบคุมความเร็วรอบ		●
การหมุนซ้าย/ขวา		●
วงหนีบทัวจับตอก	มม.	1 – 10
Ø-การเจาะ สูงสุด		
- เหล็ก	มม.	10
- ไม้	มม.	20
- อะลูมิเนียม	มม.	13
น้ำหนักตามระเบียบการ- EPTA-Procedure 01:2014	กก.	1.2
ระดับความปลอดภัย		□/II
ค่าที่ใช้ได้กับแรงดันไฟฟ้าระบุ [U] 230 โวลต์ ค่าเหล่านี้อาจผิดเพี้ยน ไปสำหรับแรงดันไฟฟ้าที่ต่ำกว่า และไม่เหมาะสำหรับเฉพาะประเทศ		

การประกอบ

การเปลี่ยนเครื่องมือ (ดูภาพประกอบ A)

▶ **ดึงปลั๊กไฟออกจากเต้าเสียบก่อนปรับแต่งเครื่อง**

เปิดหัวจับตอกชนิดมีเฟืองใน 1 โดยการหมุนจนสามารถ
ใส่เครื่องมือได้ จับเครื่องมือใส่เข้าไป

สอดประแจหัวจับตอก 6 เข้าในรูที่รอยกันบนหัวจับตอก
ชนิดมีเฟืองใน 1 และหนีบเครื่องมือเข้าเสมอกัน

เครื่องมือขัน (ดูภาพประกอบ B)

เมื่อใช้ตอกไขควง 7 ควรใช้ตามจับตอกทั่วไป 8 ด้วยเสมอ
ต้องใช้ไขควงที่มีขนาดพอดีกับหัวสกรู

การเปลี่ยนหัวจับตอก

สำหรับเครื่องมือที่ไม่มีการล็อกแกน ต้องส่งเครื่องไปเปลี่ยนหัว
จับตอกที่ศูนย์บริการหลังการขายที่ได้รับมอบหมายสำหรับ
เครื่องมือไฟฟ้า บ็อช



ต้องขันหัวจับตอกเข้าให้แน่นด้วยกำลังบิดการขัน
ประมาณ 25–30 Nm

การดูแล/ข้อควรระวัง

▶ ผู้ที่ได้จากวัสดุ เช่น เคลือบผิวที่มีสารตะกั่ว ไม้ยางประเภท
เรซาดู และโลหะ อาจเป็นอันตรายต่อสุขภาพ การสัมผัส
หรือการหายใจเอาฝุ่นเข้าไปอาจทำให้เกิดปฏิกิริยาแพ้ฝุ่น
และ/หรือนำมาซึ่งโรคติดเชื้อระบบหายใจแก่ผู้ใช้เครื่อง
หรือผู้ที่ยืนอยู่ใกล้เคียง

ฝุ่นบางประเภท เช่น ฝุ่นไม้โอ๊ก หรือไม้บีช นับเป็นสารที่
ทำให้เกิดมะเร็ง โดยเฉพาะอย่างยิ่งเมื่อผสมกับสารเติมแต่ง

เพื่อขบัตไม้ (โครเมต ผลิตภัณฑ์รักษาเนื้อไม้) สำหรับวัสดุ
ที่มีแอลเบสทอลต้องให้ผู้เชี่ยวชาญทำงานเท่านั้น

- จัดสถานที่ทำงานให้มีการระบายอากาศที่ดี
- ขอแนะนำให้สวมหน้ากากป้องกันการติดเชื้อที่มี
ระดับ-ไล์กรอง P2

ปฏิบัติตามกฎข้อบังคับสำคัญอื่นๆ ที่เกี่ยวกับวัสดุชิ้นงาน
ที่บังคับใช้ในประเทศของท่าน

▶ **ป้องกันการสะสมของฝุ่นในสถานที่ทำงาน** ฝุ่นสามารถ
ถูกไฟได้อย่างง่ายดาย

การปฏิบัติงาน

เริ่มต้นปฏิบัติงาน

▶ **ให้สังเกตแรงดันไฟฟ้า! แรงดันไฟฟ้าจากแหล่งจ่าย
ไฟฟ้าต้องมีค่าตรงกับค่าแรงดันไฟฟ้าที่ระบุไว้บน
แผ่นป้ายพิกัดเครื่อง**

การกลับทิศทางการหมุน

▶ **สับสวิทช์เปลี่ยนทิศทางการหมุน 4 เมื่อเครื่องหยุดนิ่ง
อยู่กับที่เท่านั้น**

สวิทช์เปลี่ยนทิศทางการหมุน 4 ใช้สำหรับกลับทิศทาง
การหมุนของเครื่อง อย่างไรก็ตาม หากกดสวิทช์เปิด-ปิด 3 อยู่
จะกลับทิศทางการหมุนไม่ได้

การหมุนทางขวา: สำหรับการเจาะและขันสกรูเข้า ให้สับ
สวิทช์เปลี่ยนทิศทางการหมุน 4 ไปทางซ้ายจนสุด

การหมุนทางซ้าย: สำหรับการคลายและขันสกรูและน็อต
ออก ให้กดสวิทช์เปลี่ยนทิศทางการหมุน 4 ไปทางขวาจนสุด

การเปิด-ปิดเครื่อง

เปิดเครื่องทำงาน โดยกดสวิทช์เปิด-ปิด 3 และกดค้างไว้
ล็อกสวิทช์เปิด-ปิด 3 ที่กดค้างไว้ โดยกดปุ่มล็อก
สวิทช์เปิด-ปิด 2

เพื่อประหยัดพลังงาน เปิดสวิทช์เครื่องมือไฟฟ้าเฉพาะเมื่อ
ใช้งานเท่านั้น

ปิดเครื่องโดยปล่อยนิ้วจากสวิทช์เปิด-ปิด 3

การปรับความเร็วรอบ

ความเร็วรอบของเครื่องมือไฟฟ้าที่เปิดทำงานสามารถ
ปรับเปลี่ยนได้ตามแรงกดมากน้อยบนสวิทช์เปิด-ปิด 3

การกดสวิทช์เปิด-ปิด 3 มากจะได้ความเร็วรอบต่ำ การกด
สวิทช์แรงยิ่งขึ้นจะได้ความเร็วรอบสูงขึ้น

ข้อแนะนำในการทำงาน

▶ **จับเครื่องมือไฟฟ้าเข้าบนหัวสกรู/น็อตเมื่อเครื่องปิดอยู่
เท่านั้น** เครื่องมือที่หมุนอยู่อาจลื่นไถล

หลังจากใช้เครื่องด้วยความเร็วต่ำเป็นเวลานาน ต้องทำให้
เครื่องเย็นลงโดยปล่อยให้เครื่องเดินตัวเปล่าที่ความเร็วสูงสุด
นานประมาณ 3 นาที

ให้ใช้เฉพาะดอกสว่าน HSS (HSS = high-speed steel)
ที่ลึบคมอย่างดีสำหรับเจาะโลหะ ดอกสว่านที่เป็นอุปกรณ์
ประกอบของแท่งของ บ็อช รับประกันคุณภาพการเจาะ

ขอแนะนำให้เจาะรูมาก่อนขันสกรูขนาดใหญ่หรือยาวเข้าในชิ้นงานที่เป็นวัสดุแข็ง โดยเจาะลึกประมาณ $\frac{2}{3}$ ของความยาวสกรู

การบำรุงรักษาและการบริการ

การบำรุงรักษาและการทำความสะอาด

- ▶ **ดึงปลั๊กไฟออกจากเต้าเสียบก่อนปรับแต่งเครื่อง**
- ▶ **เพื่อให้ทำงานได้อย่างถูกต้องและปลอดภัย ต้องรักษาเครื่องและช่องระบายน้ำอากาศให้สะอาดอยู่เสมอ**

เมื่อจำเป็นต้องเปลี่ยนสายไฟฟ้า ให้ส่งเครื่องให้บริษัท บ็ช หรือศูนย์บริการลูกค้าสำหรับเครื่องมือไฟฟ้า บ็ช ที่ได้รับมอบหมายทำการเปลี่ยนให้ เพื่อหลีกเลี่ยงอันตรายด้านความปลอดภัย

การบริการหลังการขายและคำแนะนำการใช้งาน

ศูนย์บริการหลังการขายของเรายินดีตอบคำถามเกี่ยวกับการบำรุงรักษาและการซ่อมแซมผลิตภัณฑ์ของท่าน รวมทั้งชิ้นส่วนอะไหล่ ภาพแยกชิ้นประกอบและข้อมูลเกี่ยวกับชิ้นส่วนอะไหล่ยังสามารถดูได้ที่:

www.bosch-pt.com

ทีมงานให้คำแนะนำการใช้งานของ บ็ช ยินดีตอบคำถามเกี่ยวกับผลิตภัณฑ์ของเราและอุปกรณ์ประกอบของผลิตภัณฑ์

เมื่อต้องการสอบถามและสั่งซื้ออะไหล่ กรุณาแจ้งหมายเลขสินค้า 10 หลักบนแผ่นป้ายรุ่นของผลิตภัณฑ์ทุกครั้ง ในกรณีประกัน ซ่อมแซม หรือซื้อชิ้นส่วนมาเปลี่ยน กรุณาติดต่อ ผู้ขายที่ได้รับแต่งตั้งเท่านั้น

ไทย

บริษัท โรเบิร์ต บ็ช จำกัด
ชั้น 11 ตึกลิเบอร์ตี สแควร์
287 ถนนสีลม บางรัก

กรุงเทพฯ 10500
โทรศัพท์ 02 6393111
โทรสาร 02 2384783

บริษัท โรเบิร์ต บ็ช จำกัด ตู้ ปณ. 2054
กรุงเทพฯ 10501 ประเทศไทย
www.bosch.co.th

ศูนย์บริการซ่อมและฝึกอบรม บ็ช
อาคาร ลาชาลทาวเวอร์ ชั้น G ห้องเลขที่ 2
บ้านเลขที่ 10/11 หมู่ 16
ถนนศรีนครินทร์
ตำบลบางแก้ว อำเภอบางพลี
จังหวัดสมุทรปราการ 10540
ประเทศไทย
โทรศัพท์ 02 7587555
โทรสาร 02 7587525

การกำจัดขยะ

เครื่องมือ อุปกรณ์ประกอบ และหีบห่อ ต้องนำไปแยกประเภทวัสดุเพื่อนำกลับมาใช้ใหม่โดยไม่ทำลายสภาพแวดล้อม อย่างไรก็ตามอย่าทิ้งเครื่องมือไฟฟ้าลงในขยะบ้าน!

ขอสงวนสิทธิ์ในการเปลี่ยนแปลงโดยไม่ต้องแจ้งล่วงหน้า

Bahasa Indonesia

Petunjuk-Petunjuk untuk Keselamatan Kerja

Petunjuk-Petunjuk Umum untuk Perkakas Listrik

⚠ PERHATIKANLAH Bacalah semua petunjuk-petunjuk untuk keselamatan kerja dan petunjuk-petunjuk untuk penggunaan.

Kesalahan dalam menjalankan petunjuk-petunjuk untuk keselamatan kerja dan petunjuk-petunjuk untuk penggunaan dapat mengakibatkan kontak listrik, kebakaran dan/atau luka-luka yang berat.

Simpanlah semua petunjuk-petunjuk keselamatan kerja dan petunjuk-petunjuk lainnya untuk penggunaan di masa depan.

Kata „perkakas listrik“ yang disebutkan di dalam petunjuk-petunjuk untuk keselamatan kerja adalah sebutan untuk perkakas listrik pakai listrik jaringan (dengan kabel) dan untuk perkakas listrik tenaga baterai (tanpa kabel listrik).

Keselamatan kerja di tempat kerja

- ▶ **Jagalah supaya tempat kerja selalu bersih dan terang.** Tempat kerja yang tidak rapi atau tidak terang dapat mengakibatkan terjadinya kecelakaan.
- ▶ **Janganlah menggunakan perkakas listrik di tempat di mana dapat terjadi ledakan, di mana ada cairan, gas atau debu yang mudah terbakar.** Perkakas listrik dapat memancarkan bunga api yang lalu mengakibatkan debu atau uap terbakar.
- ▶ **Selama menggunakan perkakas listrik, jauhkan anak-anak dan orang-orang lain dari tempat kerja.** Jika konsentrasi terganggu, bisa jadi Anda tidak bisa mengendalikan perkakas listrik tersebut.

Keamanan listrik

- ▶ **Steker dari perkakas listrik harus cocok pada stopkontak. Janganlah sekali-kali merubah steker.** Janganlah menggunakan steker perantara bersama dengan perkakas listrik yang mempunyai hubungan arde. Steker yang tidak dirubah dan stopkontak yang cocok mengurangi bahaya terjadinya kontak listrik.
- ▶ **Jagalah supaya badan Anda tidak bersentuhan dengan permukaan yang mempunyai hubungan arde, misalnya pipa-pipa, radiator pemanas ruangan, kompor listrik dan lemari es.** Ada risiko besar terjadi kontak listrik, jika badan Anda mempunyai hubungan arde.
- ▶ **Jagalah supaya perkakas listrik tidak kena hujan atau menjadi basah.** Air yang masuk ke dalam perkakas listrik menambah risiko terjadinya kontak listrik.
- ▶ **Janganlah menyalahgunakan kabel listrik untuk mengangkat dan menggantungkan perkakas listrik atau untuk menarik steker dari stopkontak. Jagalah supaya kabel listrik tidak kena panas, minyak, pinggiran yang tajam atau bagian-bagian perkakas yang bergerak.** Kabel listrik yang rusak atau tersangkut menambah risiko terjadinya kontak listrik.

30 | Bahasa Indonesia

- ▶ **Jika Anda menggunakan perkakas listrik di luar gedung, gunakanlah hanya kabel sambungan yang juga cocok untuk pemakaian di luar gedung.** Penggunaan kabel sambungan yang cocok untuk pemakaian di luar gedung mengurangi risiko terjadinya kontak listrik.
- ▶ **Jika penggunaan perkakas listrik di tempat yang basah tidak bisa dihindarkan, gunakanlah sakelar pengaman terhadap arus penyimpangan.** Penggunaan sakelar pengaman terhadap arus penyimpangan mengurangi risiko terjadinya kontak listrik.

Keselamatan kerja

- ▶ **Berhati-hatilah selalu, perhatikanlah apa yang Anda kerjakan dan bekerjalah dengan seksama jika menggunakan perkakas listrik. Janganlah menggunakan perkakas listrik, jika Anda capai atau berada di bawah pengaruh narkoba, minuman keras atau obat.** Jika Anda sekejap mata saja tidak berhati-hati sewaktu menggunakan perkakas listrik, dapat terjadi luka-luka berat.
- ▶ **Pakailah pakaian dan sarana pelindung dan pakailah selalu kaca mata pelindung.** Dengan memakai pakaian dan sarana pelindung, misalnya kedok anti debu (masker), sepatu tertutup yang tidak licin, helm pelindung atau pemalut telinga sesuai dengan pekerjaan yang dilakukan dengan perkakas listrik, bahaya terjadinya luka-luka dapat dikurangi.
- ▶ **Jagalah supaya perkakas listrik tidak dihidupkan secara tidak disengaja. Perhatikan bahwa perkakas listrik dalam penyetelan mati, jika steker disambungkan pada pengadaan listrik dan/atau baterai, jika perkakas listrik diangkat atau dibawa.** Jika selama mengangkat perkakas listrik jari Anda berada pada tombol untuk menghidupkan dan mematikan atau perkakas listrik yang dalam penyetelan hidup disambungkan pada listrik, dapat terjadi kecelakaan.
- ▶ **Lepaskan semua perkakas-perkakas penyetelan atau kunci-kunci pas sebelum perkakas listrik dihidupkan.** Perkakas atau kunci yang berada di dalam bagian yang berputar dapat mengakibatkan terjadinya luka-luka.
- ▶ **Aturkan badan sedemikian sehingga Anda bisa bekerja dengan aman. Berdirilah secara mantap dan jagalah selalu keseimbangan.** Dengan demikian Anda bisa mengendalikan perkakas listrik dengan lebih baik, jika terjadi sesuatu dengan tiba-tiba.
- ▶ **Pakailah pakaian yang cocok. Janganlah memakai pakaian yang longgar atau perhiasan. Jagalah supaya rambut, pakaian dan sarung tangan tidak masuk dalam bagian-bagian perkakas yang bergerak.** Pakaian yang longgar, rambut panjang atau perhiasan dapat tersangkut dalam bagian perkakas yang bergerak.
- ▶ **Jika ada kemungkinan untuk memasang sarana penghisapan dan penampungan debu, perhatikan bahwa sarana-sarana ini telah dipasang dan digunakan dengan betul.** Penggunaan sarana penghisapan bisa mengurangi bahaya yang disebabkan debu.

Penggunaan dan penanganan perkakas listrik dengan seksama

- ▶ **Janganlah membebankan perkakas listrik terlalu berat. Gunakan selalu perkakas listrik yang cocok untuk pekerjaan yang dilakukan.** Dengan perkakas listrik yang cocok Anda bekerja lebih baik dan lebih aman dalam batas-batas kemampuan yang ditentukan.
- ▶ **Janganlah menggunakan perkakas listrik yang tombolnya rusak.** Perkakas listrik yang tidak bisa dihidupkan atau dimatikan, berbahaya dan harus direparasikan.
- ▶ **Tariklah steker dari stopkontak dan/atau keluarkan baterai, sebelum Anda melakukan penyetelan pada perkakas listrik, mengganti alat-alat kerja atau sebelum menyimpan perkakas listrik.** Tindakan keselamatan kerja ini mengurangi bahaya perkakas listrik hidup secara tidak disengaja.
- ▶ **Simpanlah perkakas listrik yang tidak digunakan di luar jangkauan anak-anak. Janganlah mengizinkan orang-orang yang tidak mengenal perkakas listrik ini atau yang belum membaca petunjuk-petunjuk ini, menggunakan perkakas listrik ini.** Perkakas listrik bisa menjadi berbahaya, jika digunakan oleh orang-orang yang tidak mengenalnya.
- ▶ **Rawatlah perkakas listrik dengan seksama. Periksa, apakah bagian-bagian perkakas listrik yang bergerak berfungsi dengan baik dan tidak tersangkut, apakah ada bagian-bagian yang patah atau rusak sedemikian, sehingga dapat mempengaruhi jalannya perkakas listrik. Biarkan bagian-bagian perkakas yang rusak direparasikan, sebelum Anda mulai menggunakan perkakas listrik.** Banyak kecelakaan terjadi karena perkakas listrik tidak dirawat dengan seksama.
- ▶ **Perhatikan supaya alat-alat pemotong selalu tajam dan bersih.** Alat-alat pemotong dengan mata-mata pemotong yang tajam dan dirawat dengan seksama tidak mudah tersangkut dan lebih mudah dikendalikan.
- ▶ **Gunakanlah semua perkakas listrik, aksesori, alat-alat kerja dsb. sesuai dengan petunjuk-petunjuk. Perhatikan syarat-syarat kerja dan macam pekerjaan yang dilakukan.** Penggunaan perkakas listrik untuk macam pekerjaan yang tidak cocok dengan kegunaannya bisa mengakibatkan keadaan yang berbahaya.

Servis

- ▶ **Biarkan perkakas listrik Anda direparasikan hanya oleh orang-orang ahli yang berpengalaman dan hanya dengan menggunakan suku cadang yang asli.** Dengan demikian terjamin keselamatan kerja dengan perkakas listrik ini secara berkesinambungan.

Petunjuk-Petunjuk untuk Keselamatan Kerja untuk Mesin Bor dan Obeng Elektro

- ▶ **Gunakanlah gagang tambahan-gagang tambahan, jika ini dipasok bersama dengan perkakas listrik.** Perkakas listrik yang tidak bisa dikendalikan bisa mengakibatkan terjadinya luka-luka.

- ▶ **Peganglah perkakas listrik hanya pada pegangan yang terisolir jika Anda melakukan pekerjaan yang memungkinkan alat pemotong ini menjalin kontak dengan kabel listrik yang tidak terlihat atau kabelnya sendiri.** Alat kerja yang bersentuhan dengan kabel yang bertegangan dapat mengakibatkan bagian-bagian logam dari perkakas listrik juga ikut dialiri tegangan arus dan mengakibatkan terjadinya kontak listrik.
- ▶ **Gunakanlah alat detektor logam yang cocok untuk mencari kabel dan pipa yang tidak terlihat atau hubungan perusahaan pengadaan setempat.** Sentuhan dengan kabel-kabel listrik dapat mengakibatkan api dan kontak listrik. Pipa gas yang dirusak dapat mengakibatkan ledakan. Pipa air yang dirusak mengakibatkan kerusakan barang-barang atau dapat mengakibatkan kontak listrik.
- ▶ **Matikanlah segera perkakas listrik, jika alat kerjanya memblok. Berwaspadalah akan terjadinya momen reaksi yang besar yang mengakibatkan bantingan.** Alat kerja memblok jika:
 - perkakas listrik dibebankan terlalu berat atau
 - alat kerja tersangkut dalam benda yang dikerjakan.
- ▶ **Peganglah perkakas listrik secara kencang.** Pada waktu memutar masuk dan memutar ke luar sekrup bisa terjadi momen yang besar untuk waktu yang singkat.
- ▶ **Selama digunakan, peganglah perkakas listrik dengan kedua belah tangan dan perhatikanlah supaya Anda berdiri secara teguh.** Perkakas listrik bisa dikendalikan lebih baik jika dipegang dengan kedua belah tangan.
- ▶ **Usahakan supaya benda yang dikerjakan tidak goyang.** Benda yang ditahan dalam alat pemegang atau bais lebih mantap daripada benda yang dipegang dengan tangan.
- ▶ **Sebelum meletakkan perkakas listrik, tunggulah sampai perkakas berhenti memutar.** Alat kerja bisa tersangkut dan membuat perkakas listrik tidak bisa dikendalikan.

Penjelasan tentang produk dan daya



Bacalah semua petunjuk-petunjuk untuk keselamatan kerja dan petunjuk-petunjuk untuk penggunaan. Kesalahan dalam menjalankan petunjuk-petunjuk untuk keselamatan kerja dan petunjuk-petunjuk untuk penggunaan dapat mengakibatkan

kontak listrik, kebakaran dan/atau luka-luka yang berat.

Bukalah halaman lipatan dengan gambar dari perkakas dan biarkan halaman ini terbuka selama Anda membaca petunjuk-petunjuk untuk penggunaan.

Penggunaan alat

Perkakas listrik ini cocok untuk membor di kayu, logam, keramik dan bahan sintetis. Perkakas listrik dengan pengendalian secara elektronika dan arah putaran ke kanan/kiri juga cocok untuk menyekrup dan mantap.

Bagian-bagian pada gambar

Nomor-nomor dari bagian-bagian perkakas pada gambar sesuai dengan gambar perkakas listrik pada halaman bergambar.

- 1 Cekaman mata bor pakai kunci bergigi
- 2 Tombol pengunci untuk tombol untuk menghidupkan dan mematikan
- 3 Tombol untuk menghidupkan dan mematikan
- 4 Omsakelar arah putaran
- 5 Pegangan (genggaman terisolir)
- 6 Kunci cekaman mata bor
- 7 Mata obeng bit*
- 8 Pemegang mata obeng bit*

*Aksesori yang ada pada gambar atau yang dijelaskan, tidak termasuk pasokan standar. Semua aksesori yang ada bisa Anda lihat dalam program aksesori Bosch.

Data teknis

Mesin bor	GBM 1000	
Nomor model	3 601 AA9 0..	
Masukan nominal	W	350
Daya	W	160
Kecepatan putaran tanpa beban	min ⁻¹	0 – 2800
Kecepatan putaran nominal	min ⁻¹	0 – 2000
Pengendalian kecepatan putaran	●	
Putaran ke kanan/kiri	●	
Kepala cekam yang bisa memegang mata bor	mm	1 – 10
Ø mata bor maks.		
– Baja	mm	10
– Kayu	mm	20
– Aluminium	mm	13
Berat sesuai dengan EPTA-Procedure 01:2014	kg	1,2
Klasifikasi keamanan	□ / II	

Data-data berlaku untuk tegangan nominal [U] 230 V. Pada tegangan yang lebih rendah dan pada model khusus mancanegara data-data ini bisa berlainan.

Cara memasang

Mengganti alat kerja (lihat gambar A)

- ▶ **Sebelum mulai dengan pekerjaan pada perkakas listrik, tariklah steker dari stopkontak.**

Bukakan cekaman mata bor pakai kunci bergigi **1** dengan cara memutarkannya, sampai alat kerja bisa dipasangkan.

Pasangkan alat kerja.

Masukkan kunci cekaman mata bor **6** ke dalam lubang-lubang dari cekaman mata bor pakai kunci bergigi **1** dan kencangkan alat kerja secara rata.

32 | Bahasa Indonesia

Alat kerja untuk menyekrup (lihat gambar B)

Jika digunakan mata obeng bit **7**, gunakan selalu pemegang mata obeng bit **8**. Gunakanlah hanya mata obeng bit yang cocok pada kepala sekrup.

Mengganti cekaman mata bor

Pada perkakas listrik tanpa penguncian poros kerja, cekaman mata bor harus digantikan oleh satu Service Center perkakas listrik Bosch yang resmi.



Cekaman mata bor harus dikencangkan dengan momen kunci baut sebesar kira-kira 25 – 30 Nm.

Penghisapan debu/serbuk

- ▶ Debu dari bahan-bahan seperti misalnya cat yang mengandung timbel (timah hitam), beberapa jenis kayu, bahan mineral dan logam bisa berbahaya bagi kesehatan. Menyentuh atau menghirup debu-debu ini bisa mengakibatkan reaksi alergi dan/atau penyakit saluran pernafasan dari orang yang menggunakan mesin atau orang yang berada di dekatnya. Beberapa debu tertentu seperti misalnya debu kayu pohon quercus atau pohon fagus silvatica dianggap bisa mengakibatkan penyakit kanker, terutama dalam campuran dengan bahan-bahan tambahan untuk pengolahan kayu (kromat, obat pengawet kayu). Bahan-bahan yang mengandung asbes hanya boleh dikerjakan oleh orang-orang yang ahli.
 - Perhatikanlah supaya ada pertukaran udara di tempat kerja.
 - Kami anjurkan supaya Anda memakai kedok anti debu dengan saringan (filter) kelas P2.

Taatilah peraturan-peraturan untuk bahan-bahan yang dikerjakan yang berlaku di negara Anda.

- ▶ **Hindarkan debu yang banyak terkumpul di tempat kerja.** Debu dapat menyulut dengan mudahnya.

Penggunaan**Cara penggunaan**

- ▶ **Perhatikan tegangan jaringan listrik! Tegangan jaringan listrik harus sesuai dengan tegangan listrik yang tercantum pada label tipe perkakas listrik.**

Menyetel arah putaran

- ▶ **Omsakelar arah putaran 4 hanya boleh digerakkan selama perkakas listrik tidak berjalan.**

Dengan omsakelar arah putaran **4** Anda bisa merubah arah putaran dari perkakas listrik. Akan tetapi ini tidak mungkin jika tombol untuk menghidupkan dan mematikan mesin **3** sedang ditekan.

Arah putaran ke kanan: untuk membor dan memutar masuk sekrup, tekan omsakelar arah putaran **4** ke kiri sampai batas.

Arah putaran ke kiri: untuk melepaskan atau memutar ke luar sekrup dan mur, tekan omsakelar arah putaran **4** ke kanan sampai batas.

Menghidupkan/mematikan

Untuk **menghidupkan**, tekan tombol untuk menghidupkan dan mematikan **3** dan tahan tekanan.

Untuk **mengunci** tombol untuk menghidupkan dan mematikan **3** yang tertekan, tekan tombol pengunci **2**.

Untuk menghemat energi, hidupkan perkakas listrik hanya jika Anda menggunakannya.

Untuk **mematikan** perkakas listrik, lepaskan tombol untuk menghidupkan dan mematikan **3**.

Menyetel kecepatan putaran

Anda bisa menyetel kecepatan putaran tanpa tingkatan pada perkakas listrik yang hidup, tergantung dari tekanan pada tombol untuk menghidupkan dan mematikan mesin **3**.

Tekanan ringan pada tombol **3** mengakibatkan kecepatan putaran yang rendah. Tekanan yang lebih besar mengakibatkan kecepatan putaran yang lebih tinggi.

Petunjuk-petunjuk untuk pemakaian

- ▶ **Pasangkan perkakas listrik pada mur/sekrup hanya jika perkakas listrik dalam keadaan mati.** Alat kerja-alat kerja yang berputar bisa meleset.

Setelah perkakas listrik digunakan untuk waktu yang lama dengan kecepatan putaran yang rendah, perkakas listrik didinginkan dengan cara membiarkan perkakas listrik berputar tanpa beban pada kecepatan putaran maksimum kira-kira selama 3 menit.

Untuk pemboran dalam logam, gunakanlah hanya mata bor HSS (HSS = High Speed Steel, baja cepat) yang mulus dan telah diasah. Mutu ini dipenuhi oleh program aksesori dari Bosch.

Sebelum memutar masuk sekrup yang besar dan panjang ke dalam bahan yang keras, buatlah dahulu lubang bor dengan diameter inti dari ulir dengan panjang kira-kira $\frac{2}{3}$ dari panjang sekrup.

Rawatan dan servis**Rawatan dan kebersihan**

- ▶ **Sebelum mulai dengan pekerjaan pada perkakas listrik, tariklah steker dari stopkontak.**
- ▶ **Perkakas listrik dan lubang ventilasi harus selalu dibersihkan supaya perkakas bisa digunakan dengan baik dan aman.**

Jika kabel listrik harus digantikan, pekerjaan ini harus dilakukan oleh Bosch atau Service Center untuk perkakas listrik Bosch yang resmi, supaya keselamatan kerja selalu terjamin.

Layanan pasca beli dan konseling terkait pengoperasian

Layanan pasca beli Bosch menjawab semua pertanyaan Anda terkait reparasi dan maintenance serta suku cadang produk ini. Gambar tiga dimensi dan informasi terkait suku cadang dapat Anda lihat di:

www.bosch-pt.com

Tim konseling pengoperasian dari Bosch dengan senang hati membantu Anda, jika Anda hendak bertanya tentang produk-produk kami dan aksesorisnya.

Jika Anda hendak menanyakan sesuatu atau memesan suku cadang, sebutkan selalu nomor model yang terdiri dari 10 angka dan tercantum pada label tipe produk.

Indonesia

PT Robert Bosch
Palma Tower 10th Floor
Jl. RA Kartini II-S Kaveling 6 Sek II
Pondok Pinang, Kebayoran Lama
Jakarta Selatan 12310
Indonesia
Tel.: (021) 3005 5800
Fax: (021) 3005 5801
E-Mail: boschpowertools@id.bosch.com
www.bosch-pt.co.id

Cara membuang

Perkakas listrik, aksesoris dan kemasan sebaiknya didaur ulangkan sesuai dengan upaya untuk melindungi lingkungan hidup.

Janganlah membuang perkakas listrik dalam sampah rumah tangga!

Perubahan dapat terjadi tanpa pemberitahuan sebelumnya.

Tiếng Việt

Các Nguyên Tắc An Toàn

Cảnh báo tổng quát cách sử dụng an toàn dụng cụ điện cầm tay

! **CẢNH BÁO** Đọc kỹ mọi cảnh báo an toàn và hướng dẫn. Không tuân thủ mọi cảnh báo và hướng dẫn được liệt kê dưới đây có thể bị điện giật, gây cháy và/hay bị thương tật nghiêm trọng.

Hãy giữ tất cả tài liệu về cảnh báo và hướng dẫn để tham khảo về sau.

Thuật ngữ “dụng cụ điện cầm tay” trong phần cảnh báo là để cập đến sự sử dụng dụng cụ điện cầm tay của bạn, loại sử dụng điện nguồn (có dây cắm điện) hay vận hành bằng pin (không dây cắm điện).

Khu vực làm việc an toàn

- ▶ **Giữ nơi làm việc sạch và đủ ánh sáng.** Nơi làm việc bừa bộn và tối tăm dễ gây ra tai nạn.
- ▶ **Không vận hành dụng cụ điện cầm tay trong môi trường dễ gây nổ, chẳng hạn như nơi có chất lỏng dễ cháy, khí đốt hay rác.** Dụng cụ điện cầm tay tạo ra các tia lửa nên có thể làm rác bén cháy hay bốc khói.

- ▶ **Không để trẻ em hay người đến xem đứng gần khi vận hành dụng cụ điện cầm tay.** Sự phân tâm có thể gây ra sự mất điều khiển.

An toàn về điện

- ▶ **Phích cắm của dụng cụ điện cầm tay phải thích hợp với ổ cắm.** Không bao giờ được cải biến lại phích cắm dưới mọi hình thức. Không được sử dụng phích tiếp hợp nối tiếp đất (dây mát). Phích cắm nguyên bản và ổ cắm đúng loại sẽ làm giảm nguy cơ bị điện giật.
- ▶ **Tránh không để thân thể tiếp xúc với đất hay các vật có bề mặt tiếp đất như đường ống, lò sưởi, hàng rào và tủ lạnh.** Có nhiều nguy cơ bị điện giật hơn nếu cơ thể bạn bị tiếp hay nối đất.
- ▶ **Không được để dụng cụ điện cầm tay ngoài mưa hay ở tình trạng ẩm ướt.** Nước vào máy sẽ làm tăng nguy cơ bị điện giật.
- ▶ **Không được lạm dụng dây dẫn điện.** Không bao giờ được nắm dây dẫn để xách, kéo hay rút phích cắm dụng cụ điện cầm tay. Không để dây gần nơi có nhiệt độ cao, dầu nhớt, vật nhọn bén hay bộ phận chuyển động. Làm hỏng hay cuộn rối dây dẫn làm tăng nguy cơ bị điện giật.
- ▶ **Khi sử dụng dụng cụ điện cầm tay ngoài trời, dùng dây nối thích hợp cho việc sử dụng ngoài trời.** Sử dụng dây nối thích hợp cho việc sử dụng ngoài trời làm giảm nguy cơ bị điện giật.
- ▶ **Nếu việc sử dụng dụng cụ điện cầm tay ở nơi ẩm ướt là không thể tránh được, dùng thiết bị ngắt mạch tự động (RCD) bảo vệ nguồn.** Sử dụng thiết bị ngắt mạch tự động RCD làm giảm nguy cơ bị điện giật.

An toàn cá nhân

- ▶ **Hãy tỉnh táo, biết rõ mình đang làm gì và hãy sử dụng ý thức khi vận hành dụng cụ điện cầm tay.** Không sử dụng dụng cụ điện cầm tay khi đang mệt mỏi hay đang bị tác động do chất gây nghiện, rượu hay dược phẩm gây ra. Một thoáng mất tập trung khi đang vận hành dụng cụ điện cầm tay có thể gây thương tích nghiêm trọng cho bản thân.
- ▶ **Sử dụng trang bị bảo hộ cá nhân. Luôn luôn đeo kính bảo vệ mắt.** Trang bị bảo hộ như khẩu trang, giày chống trượt, nón bảo hộ, hay dụng cụ bảo vệ tai khi được sử dụng đúng nơi đúng chỗ sẽ làm giảm nguy cơ thương tật cho bản thân.
- ▶ **Phòng tránh máy khởi động bất ngờ. Bảo đảm công tắc máy ở vị trí tắt trước khi cắm vào nguồn điện và/hay lắp pin vào, khi nhắc máy lên hay khi mang xách máy.** Ngáng ngón tay vào công tắc máy để xách hay kích hoạt dụng cụ điện cầm tay khi công tắc ở vị trí mở dễ dẫn đến tai nạn.

34 | Tiếng Việt

- ▶ **Lấy mọi chia hay khóa điều chỉnh ra trước khi mở điện dụng cụ điện cầm tay.** Khóa hay chìa còn gắn dính vào bộ phận quay của dụng cụ điện cầm tay có thể gây thương tích cho bản thân.
- ▶ **Không rướn người. Luôn luôn giữ tư thế đứng thích hợp và thẳng bằng.** Điều này tạo cho việc điều khiển dụng cụ điện cầm tay tốt hơn trong mọi tình huống bất ngờ.
- ▶ **Trang phục thích hợp. Không mặc quần áo rộng lủng thụng hay mang trang sức. Giữ tóc, quần áo và găng tay xa khỏi các bộ phận chuyển động.** Quần áo rộng lủng thụng, đồ trang sức hay tóc dài có thể bị cuốn vào các bộ phận chuyển động.
- ▶ **Nếu có các thiết bị đi kèm để nối máy hút bụi và các phụ kiện khác, bảo đảm các thiết bị này được nối và sử dụng tốt.** Việc sử dụng các thiết bị gom hút bụi có thể làm giảm các độc hại liên quan đến bụi gây ra.

Sử dụng và bảo dưỡng dụng cụ điện cầm tay

- ▶ **Không được ép máy. Sử dụng dụng cụ điện cầm tay đúng loại theo đúng ứng dụng của bạn.** Dụng cụ điện cầm tay đúng chức năng sẽ làm việc tốt và an toàn hơn theo đúng tiến độ mà máy được thiết kế.
- ▶ **Không sử dụng dụng cụ điện cầm tay nếu như công tắc không tắt và mở được.** Bất kỳ dụng cụ điện cầm tay nào mà không thể điều khiển được bằng công tắc là nguy hiểm và phải được sửa chữa.
- ▶ **Rút phích cắm ra khỏi nguồn điện và/hay pin ra khỏi dụng cụ điện cầm tay trước khi tiến hành bất kỳ điều chỉnh nào, thay phụ kiện, hay cắt dụng cụ điện cầm tay.** Các biện pháp ngăn ngừa như vậy làm giảm nguy cơ dụng cụ điện cầm tay khởi động bất ngờ.
- ▶ **Cắt giữ dụng cụ điện cầm tay không dùng tới nơi trẻ em không lấy được và không cho người chưa từng biết dụng cụ điện cầm tay hay các hướng dẫn này sử dụng dụng cụ điện cầm tay.** Dụng cụ điện cầm tay nguy hiểm khi ở trong tay người chưa được chỉ cách sử dụng.
- ▶ **Bảo quản dụng cụ điện cầm tay. Kiểm tra xem các bộ phận chuyển động có bị sai lệch hay kẹt, các bộ phận bị rạn nứt và các tình trạng khác có thể ảnh hưởng đến sự vận hành của máy. Nếu bị hư hỏng, phải sửa chữa máy trước khi sử dụng.** Nhiều tai nạn xảy ra do bảo quản dụng cụ điện cầm tay tồi.
- ▶ **Giữ các dụng cụ cắt bén và sạch.** Bảo quản đúng cách các dụng cụ cắt có cạnh cắt bén làm giảm khả năng bị kẹt và dễ điều khiển hơn.

- ▶ **Sử dụng dụng cụ điện cầm tay, phụ kiện, đầu cài v. v., đúng theo các chỉ dẫn này, hãy lưu ý đến điều kiện làm việc và công việc phải thực hiện.** Sử dụng dụng cụ điện cầm tay khác với mục đích thiết kế có thể tạo nên tình huống nguy hiểm.

Bảo dưỡng

- ▶ **Đưa dụng cụ điện cầm tay của bạn đến thợ chuyên môn để bảo dưỡng, chỉ sử dụng phụ tùng đúng chủng loại để thay.** Điều này sẽ đảm bảo sự an toàn của máy được giữ nguyên.

Cảnh Báo An Toàn cho Máy Khoan và Bắt Vít

- ▶ **Hãy sử dụng tay nắm phụ, nếu như được giao kèm với dụng cụ.** Sự mất điều khiển có thể gây thương tích cho bản thân.
- ▶ **Nắm giữ dụng cụ điện nơi phần nắm cách điện khi thực hiện việc gia công nơi dụng cụ cắt có thể chạm vào dây điện không nhìn thấy được hay chính dây của máy.** Dụng cụ cắt chạm phải dây có điện có thể làm cho các bộ phận kim loại không được bao bọc có điện và giết người vận hành máy.
- ▶ **Dùng thiết bị dò tìm thích hợp để xác định nếu có các công trình công cộng lắp đặt ngầm trong khu vực làm việc hay liên hệ với Cty công trình Công cộng địa phương để nhờ hỗ trợ.** Đụng chạm đường dẫn điện có thể gây ra hỏa hoạn và điện giật. Làm hư hại đường dẫn khí ga có thể gây nổ. Làm thủng đường dẫn nước gây hư hỏng tài sản hay có khả năng gây ra điện giật.
- ▶ **Tắt máy ngay lập tức khi dụng cụ lắp vào máy đột nhiên bị nghẽn chặt. Để phòng lực vận mạnh có thể được tạo ra do sự giật ngược.** Dụng cụ lắp vào có thể bị nghẽn chặt khi:
 - dụng cụ điện cầm tay bị quá tải hay
 - bị chèn chặt trong vật gia công.
- ▶ **Giữ máy bằng cách nắm thật chặt.** Lực vận ngược mạnh có thể xảy ra chớp nhoáng trong lúc bắt vít vào hay vận ra.
- ▶ **Khi sử dụng máy, luôn luôn giữ chặt máy bằng cả hai tay và tạo tư thế đứng vững chắc.** Dụng cụ điện cầm tay vận hành an toàn hơn khi dùng cả hai tay.
- ▶ **Kẹp chặt vật gia công.** Vật gia công được kẹp bằng một thiết bị kẹp hay bằng ê-tô thì vững chắc hơn giữ bằng tay.
- ▶ **Luôn luôn đợi cho máy hoàn toàn ngừng hẳn trước khi đặt xuống.** Dụng cụ lắp vào máy có thể bị kẹp chặt dẫn đến việc dụng cụ điện cầm tay bị mất điều khiển.

Mô Tả Sản Phẩm và Đặc Tính Kỹ Thuật



Đọc kỹ mọi cảnh báo an toàn và mọi hướng dẫn. Không tuân thủ mọi cảnh báo và hướng dẫn được liệt kê dưới đây có thể bị điện giật, gây cháy và/hay bị thương tật nghiêm trọng.

Trong khi đọc các hướng dẫn sử dụng, mở trang gấp hình ảnh máy và để mở nguyên như vậy.

Dành sử dụng cho

Máy được thiết kế để khoan gỗ, kim loại, gốm và nhựa dẻo. Máy có bộ phận kiểm soát điện tử và quay được hai chiều: trái và phải, cũng thích hợp cho việc vận vít và cắt ren bằng tarô.

Biểu trưng của sản phẩm

Sự đánh số các biểu trưng của sản phẩm là để tham khảo hình minh họa của máy trên trang hình ảnh.

- 1 Mâm cặp khoan loại dùng chia
- 2 Nút khoá giữ chế độ tự-chạy của công tắc Tắt/Mở
- 3 Công tắc Tắt/Mở
- 4 Gạc vận chuyển đổi chiều quay
- 5 Tay nắm (bề mặt nắm cách điện)
- 6 Khóa của mâm cặp
- 7 Đầu vít*
- 8 Đầu nối phổ thông*

*Phụ tùng được trình bày hay mô tả không phải là một phần của tiêu chuẩn hàng hóa được giao kèm theo sản phẩm. Bạn có thể tham khảo tổng thể các loại phụ tùng, phụ kiện trong chương trình phụ tùng của chúng tôi.

Thông số kỹ thuật

Khoan xoay	GBM 1000	
Mã số máy		3 601 AA9 0..
Công suất vào danh định	W	350
Công suất ra	W	160
Tốc độ không tải	v/p	0 – 2800
Tốc độ danh định	v/p	0 – 2000
Điều khiển tốc độ		●
Quay Phải/Trái		●
Phạm vi mâm cặp kẹp được	mm	1 – 10
Đường kính khoan tối đa		
- Thép	mm	10
- Gỗ	mm	20
- Nhôm	mm	13

Các giá trị đã cho có hiệu lực cho điện thế danh định [U] 230 V. Đối với điện thế thấp hơn và các loại máy dành riêng cho một số quốc gia, các giá trị này có thể thay đổi.

Khoan xoay	GBM 1000	
Trọng lượng theo Qui trình EPTA-Procedure 01:2014 (chuẩn EPTA 01:2014)	kg	1,2
Cấp độ bảo vệ		□/II
Các giá trị đã cho có hiệu lực cho điện thế danh định [U] 230 V. Đối với điện thế thấp hơn và các loại máy dành riêng cho một số quốc gia, các giá trị này có thể thay đổi.		

Sự lắp vào

Thay Dụng Cụ (xem hình A)

- Trước khi tiến hành bất cứ việc gì trên máy, kéo phích cắm điện nguồn ra.

Mở mâm cặp khoan dùng khóa 1 bằng cách vận cho đến khi dụng cụ có thể lắp vào được. Lắp dụng cụ vào.

Tra khóa mâm cặp vào 6 trong các lỗ tương ứng của mâm cặp khoan dùng khóa 1 và vận để kẹp dụng cụ lại một cách đồng bộ.

Dụng Cụ Bất Vít (xem hình B)

Khi làm việc với các mũi vít 7, luôn luôn nên sử dụng 8 loại đầu nối phổ thông. Chỉ dùng mũi vít vừa khớp với đầu vít.

Thay Mâm Cặp Khoan

Đối với máy không có khóa trực, mâm cặp khoan khi cần thay phải thông qua một đại lý phục vụ dụng cụ điện sau khi bán do Bosch ủy nhiệm.

- ⚠ **Mâm cặp khoan phải được siết chặt với lực vận vào khoảng 25–30 Nm.**

Hút Dặm/Bụi

- Mạt bụi từ các vật liệu được sơn phủ ngoài có chứa chì trên một số loại gỗ, khoáng vật và kim loại có thể gây nguy hại đến sức khỏe con người. Dụng cụ chạm hay hít thở các bụi này có thể làm người sử dụng hay đứng gần bị dị ứng và/hoặc gây nhiễm trùng hệ hô hấp.

Một số mạt bụi cụ thể, ví dụ như bụi gỗ sồi hay dẫu, được xem là chất gây ung thư, đặc biệt là có liên quan đến các chất phụ gia dùng xử lý gỗ (chất cromat, chất bảo quản gỗ). Có thể chỉ nên để thợ chuyên môn gia công các loại vật liệu có chứa amiăng.

- Tạo không khí thông thoáng nơi làm việc.
- Khuyến nghị nên mang mặt nạ phòng độc có bộ lọc cấp P2.

Tuân thủ các qui định của quốc gia bạn liên quan đến loại vật liệu gia công.

- **Tránh không để rác tích tụ tại nơi làm việc.** Rác có thể dễ dàng bắt lửa.

36 | Tiếng Việt

Vận Hành

Bắt Đầu Vận Hành

- ▶ **Tuân thủ theo đúng điện thế! Điện thế nguồn phải đúng với điện thế đã ghi rõ trên nhãn máy.**

Đảo Chiều Quay

- ▶ **Khởi động gạt chỉ chiều quay 4 chỉ khi máy đã hoàn toàn dừng hẳn.**

Gạt chuyển đổi chiều quay 4 được sử dụng để đảo lại chiều quay của máy. Tuy nhiên, việc này không thể thực hiện được cùng lúc với công tắc Tắt/Mở 3 đang hoạt động.

Chiều Quay Phải: Để khoan hay bắt vít vào, đẩy gạt chuyển đổi chiều quay 4 về hết bên trái.

Chiều Quay Trái: Để nối hay là tháo vít hay là đai ốc, nhấn gạt chuyển đổi chiều quay 4 qua hết bên phải.

Bật Mở và Tắt

Để khởi **động máy**, nhấn công tắc Tắt/Mở 3 và nhấn giữ xuống.

Để khóa, **nhấn** công tắc Tắt/Mở 3, nhấn nút khóa tự-chạy 2 vào.

Để tiết kiệm năng lượng, chỉ cho dụng cụ điện hoạt động khi sử dụng.

Để tắt máy, **nhả** công tắc Tắt/Mở 3 ra.

Điều chỉnh tốc độ

Tốc độ của dụng cụ điện cầm tay đang hoạt động có thể điều chỉnh thay đổi, tùy theo độ nông sâu của công tắc Tắt/Mở 3 được bóp vào.

Lực nhấn nhẹ lên công tắc Tắt/Mở 3 tạo ra tốc độ quay thấp. Tăng lực nhấn lên công tắc làm tăng tốc độ quay.

Hướng Dẫn Sử Dụng

- ▶ **Tra dụng cụ điện cầm tay vào vít/đai ốc chỉ khi đã tắt công tắc.** Dụng cụ gắn trong máy đang xoay có thể trượt ra ngoài.

Sau thời gian dài vận hành máy liên tục ở tốc độ thấp, để làm máy nguội xuống, cho máy chạy không tải với tốc độ tối đa trong khoảng 3 phút.

Để khoan kim loại, chỉ nên dùng mũi khoan thép gió HSS thật sắc bén (HSS = thép tốc độ cao). Chất lượng đáp ứng chuẩn được đảm bảo trong chương trình phụ kiện của Bosch.

Trước khi bắt một vít lớn, dài hơn bình thường vào vật liệu cứng, nên khoan trước một lỗ mỗi có cùng đường kính răng vít vào sâu vào khoảng $\frac{2}{3}$ của chiều dài vít.

Bảo Dưỡng và Bảo Quản

Bảo Dưỡng Và Làm Sạch

- ▶ **Trước khi tiến hành bất cứ việc gì trên máy, kéo phích cắm điện nguồn ra.**
- ▶ **Để được an toàn và máy hoạt động đúng chức năng, luôn luôn giữ máy và các khe thông gió được sạch.**

Nếu như cần phải thay dây dẫn điện thì công việc này phải do hãng Bosch, hay một đại lý được Bosch ủy nhiệm thực hiện để tránh gặp sự nguy hiểm do mất an toàn.

Dịch Vụ Sau Khi Bán và Dịch Vụ Ứng Dụng

Bộ phận phục vụ hàng sau khi bán của chúng tôi sẽ trả lời các câu hỏi liên quan đến việc bảo trì và sửa chữa các sản phẩm cũng như các phụ tùng thay thế của bạn. Hình ảnh chi tiết và thông tin phụ tùng thay thế có thể tìm hiểu theo địa chỉ dưới đây:

www.bosch-pt.com

Bộ phận dịch vụ ứng dụng Bosch sẽ hân hạnh trả lời các câu hỏi liên quan đến các sản phẩm của chúng tôi và linh kiện của chúng.

Trong tất cả các phản hồi và đơn đặt phụ tùng, xin vui lòng luôn nhập số hàng hóa 10 chữ số theo nhãn của hàng hóa.

Việt Nam

Công ty Trách Nhiệm Hữu Hạn Robert Bosch Việt Nam, PT/SVN
Tầng 10, 194 Golden Building
473 Điện Biên Phủ
Phường 25, Quận Bình Thạnh
Thành Phố Hồ Chí Minh
Việt Nam
Tel.: (08) 6258 3690 Ext 413
Fax: (08) 6258 3692
hieu.lagia@vn.bosch.com
www.bosch-pt.com

Thải bỏ

Máy, linh kiện và bao bì phải được phân loại để tái chế theo hướng thân thiện với môi trường.

Không được thải bỏ dụng cụ điện vào chung với rác sinh hoạt!

Được quyền thay đổi nội dung mà không phải thông báo trước.

خدمة الزبائن ومشورة الاستخدام

يجيب مركز خدمة الزبائن على أسئلتكم بصدد تصليح وصيانة المنتج وأيضاً بما يخص قطع الغيار. يعثر على الرسوم الممددة وعلى المعلومات عن قطع الغيار بموقع:

www.bosch-pt.com

سيكون من دواعي سرور فرقة مشورة الاستخدام بشركة بوش أن تساعدكم بخصوص الأسئلة عن منتجاتنا وتوابعها. يلزم ذكر رقم الصنف ذو الخانات العشر وفقاً للوحة صنع المنتج عند إرسال أية استفسارات أو طلبيات قطع غيار. يرجى التوجه إلى التاجر المختص بما يتعلّق بأمر الضمان والتصليح وتأمين قطع الغيار.

المغرب

أوتبرو
ر53، زنقة الملازم محمد محروض
الدار البيضاء، 20300 - المغرب
الهاتف: +212 (0) 522 400 615 / +212 (0) 522 400 409
البريد الإلكتروني: service@outipro.ma

الجزائر

سيستال
المنطقة الصناعية امدادن
بجاية 06000 - الجزائر
الهاتف: +213 (0) 982 400 992
الفاكس: +213 (0) 34201569
البريد الإلكتروني: sav@siestal-dz.com

تونس

صوتال
م.ص. المجمع سان كوبان رقم 99-25
2014. مكرين رياض تونس
الهاتف: +216 71 428 770
الفاكس: +216 71 354 175
البريد الإلكتروني: sotel2@planet.tn

مصر

يونيمار
رقم 20 مركز الخدمات
التجمع الاول - القاهرة الجديدة - مصر
الهاتف: +2 02 224 78072 - 73 / +2 02 224 76091 - 95
لفاكس: +2 022 2478075
البريد الإلكتروني: boschegypt@unimaregypt.com

التخلص من العدة الكهربائية

ينبغي التخلص من العدة الكهربائية والتوابع والغلاف بطريقة منصفة للبيئة عن طريق النفايات القابلة لإعادة التصنيع.

لا ترم العدة الكهربائية في النفايات المنزلية!

نحتفظ بحق إدخال التعديلات.

التركيب

- ضبط اتجاه الدوران**
- ◀ غير وضع مفتاح تحويل اتجاه الدوران 4 فقط عندما تكون العدة الكهربائية متوقفة عن الحركة.
- يمكنك بواسطة مفتاح تحويل اتجاه الدوران 4 أن تقوم بتغيير اتجاه دوران العدة الكهربائية. ولكن لا يمكن تنفيذ ذلك عندما يكون مفتاح التشغيل والإطفاء 3 قيد التشغيل.
- دوران يميني:** لإجراء أعمال التنقيب وربط اللولب يضغط مفتاح تحويل اتجاه الدوران 4 إلى اليسار إلى حد التصادم.
- دوران يساري:** لمل أو نزع اللولب والصواميل يضغط مفتاح تحويل اتجاه الدوران 4 إلى اليمين إلى حد التصادم.

التشغيل والإطفاء

- اضغط من أجل تشغيل العدة الكهربائية على مفتاح التشغيل والإطفاء 3 وحافظ على إبقائه مضغوطاً.
- لتثبيت مفتاح التشغيل والإطفاء 3 وهو في حالة الانضغاط، يضغط زر التثبيت 2.**
- شغل العدة الكهربائية فقط عندما تستخدمها، من أجل توفير الطاقة.
- لإطفاء العدة الكهربائية، يترك مفتاح التشغيل والإطفاء 3.**
- ضبط عدد الدوران**
- يمكنك أن تتحكم بعدد دوران العدة الكهربائية قيد التشغيل دون تدريج، حسب مدى الضغط على مفتاح التشغيل والإطفاء 3.
- يؤدي الضغط الخفيف على مفتاح التشغيل والإطفاء 3 إلى عدد دوران منخفض. يزداد عدد الدوران بزيادة الضغط.

ملاحظات شغل

- ◀ **ركز العدة الكهربائية على اللولب/الصامولة فقط عندما تكون مطفأة.** إن عدد الشغل الدوارة قد تنزلق.
- بعد تنفيذ الأعمال لفترة طويلة بعدد دوران صغير ينبغي تشغيل الجهاز على الفاضي لمدة ثلاث دقائق تقريباً بعدد الدوران الأقصى من أجل تبريده.
- استخدم عند تثقيب المعادن فقط لقم التنقيب (HSS = الفولاذ العالي القدرة والسريع القطع) يضمن برنامج توابع بوش الجودة المناسبة.
- قبل ربط اللولب الكبيرة الطويلة في مواد الشغل القاسية، ينصح بإجراء ثقب تمهيدي بقطر لبّ اللولب وبمقدار ٪ طول اللولب.

الصيانة والخدمة

الصيانة والتنظيف

- ◀ اسحب القابس من مقبس الشبكة الكهربائية قبل إجراء أي عمل على العدة الكهربائية.
- ◀ حافظ دائماً على نظافة العدة الكهربائية وشقوق التهوية للعمل بشكل جيد وآمن.
- إن تطلب الأمر استبدال خط الامداد، فينبغي أن يتم ذلك من قبل شركة بوش أو من قبل مركز خدمة زبائن وكالة بوش للعدد الكهربائية، لتجنب التعرض للمخاطر.

استبدال العدد (تراجع الصورة A)

- ◀ اسحب القابس من مقبس الشبكة الكهربائية قبل إجراء أي عمل على العدة الكهربائية.
- افتح طرف المثقاب المسنن الطوق 1 من خلال فتله إلى أن تتمكن من تليق العدة. ركب العدة.
- اغرز مفتاح ظرف المثقاب 6 في الفجوات المخصصة بظرف المثقاب المسنن الطوق 1 واحكم شدّ العدة بشكل منتظم.
- عدد ربط اللولب (تراجع الصورة B)**
- عندما تستخدم لقم ربط اللولب 7 ينبغي أن تستعمل دائماً حامل لقم عام 8. استخدم فقط لقم ربط اللولب التي تلائم رأس اللولب.

استبدال ظرف المثقاب

- يجب أن يتم استبدال ظرف المثقاب من قبل مركز وكالة خدمة زبائن شركة بوش للعدد الكهربائية، بالنسبة للعدد الكهربائية دون إمكانية تثبيت محور دوران المثقاب.
- يجب أن يتم شدّ ظرف المثقاب بعزم دوران شدّ يتراوح من 25-30 نيوتن متر تقريباً.** ⚠

شفط الغبار/النشارة

- ◀ إن أغبرة بعض المواد كالبلاستيك الذي يحتوي على الرصاص، وبعض أنواع الخشب والفلزات والمعادن، قد تكون مضرّة بالصحة. إن ملامسة أو استنشاق الأغبرة قد يؤدي إلى ردود فعل زائدة الحساسية و/أو إلى أمراض المجاري التنفسية لدى المستخدم أو لدى الأشخاص المتواجدين على مقربة من المكان.
- تعتبر بعض الأغبرة المعينة، كأغبرة البلوط والزبان بأنها مسببة للسرطان، ولا سيما بالاتصال مع المواد الإضافية لمعالجة الخشب (ملع حامض الكروميك، المواد الماقظة للخشب). يجوز أن يتم معالجة المواد التي تحتوي على الأسبستوس من قبل العمال المتخصصين فقط دون غيرهم.
- حافظ على تهوية مكان الشغل بشكل جيد.
 - ينصح بارتداء قناع وقاية للتنفس بفئة المرشح P2.
- تراجع الأحكام السارية في بلدكم بالنسبة للمواد المرغوب معالجتها.
- ◀ تجنب تراكم الغبار بمكان العمل. يجوز أن تشتعل الأغبرة بسهولة.

التشغيل

بدء التشغيل

- ◀ انتبه إلى جهد الشبكة الكهربائية! يجب أن يتطابق جهد منبع التيار مع المعلومات المذكورة على لائحة طراز الجهاز. يمكن أن يتم تشغيل الحدد الكهربائية المحددة بـ 230 فولت بـ 220 فولت أيضاً.

وصف المنتج والاداء

اقرأ جميع الملاحظات التحذيرية والتعليمات. إن ارتكاب الأخطاء عند تطبيق الملاحظات التحذيرية والتعليمات قد يؤدي إلى الصدمات الكهربائية، إلى نشوب الحرائق و/أو الإصابة بجروح خطيرة.



يرجى فتح الصفحة القابلة للثني التي تتضمن صور العدة الكهربائية وترك هذه الصفحة مفتوحة أثناء قراءة كراسة الاستعمال.

الاستعمال المخصص

العدة الكهربائية مخصصة للتقريب في الخشب والمعادن والخزف واللداثن. وتصلح العدة الكهربائية المزودة بالتمكك الالكتروني والدوران اليميني/اليساري أيضاً لربط اللوالب ولقص أسنان اللوالب.

الأجزاء المصورة

يستند ترقيم الأجزاء المصورة إلى رسوم العدة الكهربائية الموجودة في صفحة الرسوم التخطيطية.

- 1 ظرف المثقاب المسنن الطوق
- 2 زر تثبيت مفتاح التشغيل والإطفاء
- 3 مفتاح التشغيل والإطفاء
- 4 مفتاح تحويل اتجاه الدوران
- 5 مقبض يدوي (سطح القبض معزول)
- 6 مفتاح ظرف المثقاب
- 7 لقمة مفك براغي *
- 8 حامل اللقم العام *

* لا يتضمن إطار التوريد الاعتيادي التوابع المصورة أو الموصوفة. يعثر على التوابع الكاملة في برنامجنا للتوابع.

البيانات الفنية

آلة تثقيب		GBM 1000
رقم الصنف		3 601 AA9 0..
القدرة الاسمية المقننة	واط	350
القدرة المعطاة	واط	160
عدد الدوران اللحظي	دقيقة ⁻¹	0-2800
عدد الدوران الاسمي	دقيقة ⁻¹	0-2000
التمكك بعدد الدوران		●
دوران يميني/يساري		●
مجال شد طرف المثقاب	مم	1-10
Ø التثقيب الأقصى		
- فولاذ	مم	10
- خشب	مم	20
- ألمنيوم	مم	13
الوزن حسب	كغ	1,2
EPTA-Procedure 01:2014		
فئة الوقاية		II / □

القيم سارية المفعول لجهد اسمي [U] بمقدار 230 فولط. قد تتفاوت هذه القيم عندما يختلف الجهد عن ذلك أو بطرازات خاصة ببلدان معينة.

- ◀ حافظ على إبقاء عدد القطع نظيفة وحادة. إن عدد القطع ذات حواف القطع الحادة التي تم صيانتها بعناية تتكلم بشكل أقل ويمكن توجيهها بشكل أسير.
- ◀ استخدم العدد الكهربائية والتوابع وعدد الشغل وإلخ. حسب هذه التعليمات. تراعى أثناء ذلك شروط الشغل والعمل المراد تنفيذه. استخدام العدد الكهربائية لغير الأشغال المخصصة لأجلها قد يؤدي إلى حدوث الحالات الخطيرة.

الخدمة

- ◀ اسمح بتصليح عدتك الكهربائية فقط من قبل العمال المتخصصين فقط باستعمال قطع الغيار الأصلية. يؤمن ذلك المحافظة على أمان الجهاز.

تعليمات الأمان لآلات الثقب ومفكات اللوالب

- ◀ استخدم المقابض الإضافية إن أرفقت بالعدة الكهربائية. إن فقدان التحكم قد يؤدي إلى الإصابة بجروح.
- ◀ أمسك الجهاز من سطوح القبض المعزولة عند إجراء أعمال قد تلامس فيها عدة الشغل خطوط كهربائية مختلفة أو كابل الكهرباء الخاص بها. حيث إن ملامسة خط يسري به جهد كهربائي من شأنه أن ينقل الجهد الكهربائي للأجزاء المعدنية بالجهاز مما قد يتسبب في حدوث صدمة كهربائية.
- ◀ استخدم أجهزة تثقيب ملائمة للعثور على خطوط الامداد المخفية أو استعن بشركة الامداد المحلية. إن ملامسة الخطوط الكهربائية قد يؤدي إلى اندلاع النار وإلى الصدمات الكهربائية. إتلاف خط الغاز قد يؤدي إلى الانفجارات. اختراق خط الماء بشكل الأضرار المادية أو قد يؤدي إلى الصدمات الكهربائية.
- ◀ اطفئ العدة الكهربائية فوراً عند استعصاء عدة الشغل. استعد لمجابهة عزوم رد الفعل العالية التي تسبب الصدمات الارتدادية. تستعصي عدة الشغل عندما:
 - يتم فرط تحميل العدة الكهربائية أو
 - عندما تنمر في قطعة الشغل المرغوب معالجتها.
- ◀ اقبض على العدة الكهربائية بإحكام. قد تشكل عزوم رد فعل عالية لوهلة عند إحكام شد وحمل اللوالب.
- ◀ اقبض على العدة الكهربائية أثناء الشغل بكلتا اليدين بإحكام وقف بثبات. يتم توجيه العدة الكهربائية بكلتا اليدين بأمان أكبر.
- ◀ أمن قطعة الشغل. يتم القبض على قطعة الشغل التي تم تثبيتها بواسطة تجهيزة شد أو بواسطة الملزمة بأمان أكبر مما لو تم المسك بها بواسطة يدك.
- ◀ انتظر إلى أن تتوقف العدة الكهربائية عن الحركة قبل أن تضعها جانباً. قد تتكلم عدة الشغل فتؤدي إلى فقدان السيطرة على العدة الكهربائية.

تعليمات الأمان

ملاحظات تحذيرية عامة للعدد الكهربائية

⚠ تحذير اقرأ جميع الملاحظات التحذيرية والتعليمات.

إن ارتكاب الأخطاء عند تطبيق الملاحظات التحذيرية والتعليمات قد يؤدي إلى الصدمات الكهربائية، إلى نشوب الحرائق و/أو الإصابة بجروح خطيرة.

احتفظ بجميع الملاحظات التحذيرية والتعليمات للمستقبل.

يقصد بمصطلح "العدد الكهربائية" المستخدم في الملاحظات التحذيرية، العدد الكهربائي الموصولة بالشبكة الكهربائية (بواسطة كابل الشبكة الكهربائية) وأيضاً العدد الكهربائي المزودة بمركم (دون كابل الشبكة الكهربائية).

الأمان بمكان الشغل

حافظ على نظافة وحسن إضاءة مكان شغلك. الفوضى في مكان الشغل ومجالات العمل الغير مضاءة قد تؤدي إلى حدوث الحوادث.

لا تشغل بالعدد الكهربائية في محيط معرض لخطر الانفجار والذي تتوفر فيه السوائل أو الغازات أو الأغبرة القابلة للاشتعال. العدد الكهربائية تشكل الشر الذي قد يتطاير، فيشعل الأغبرة والأبخرة.

حافظ على بقا الأطفال وغيرهم من الأشخاص على بعد عندما تستعمل العدد الكهربائية. قد تفقد السيطرة على الجهاز عند التلهي.

الأمان الكهربائي

يجب أن يتلائم قابس وصل العدد الكهربائية مع المقبس. لا يجوز تغيير القابس بأي حال من الأحوال. لا تستعمل القوابس المهيأة مع العدد الكهربائية المؤرضة تاريض وقائي. تخفص القوابس التي لم يتم تغييرها والمقابس الملائمة من خطر الصدمات الكهربائية.

تجنب ملامسة السطوح المؤرضة كالأنياب ورادياتورات التدفئة والمدافئ أو البرادات بواسطة جسمك. يزداد خطر الصدمات الكهربائية عندما يكون جسمك مؤرض.

أبعد العدد الكهربائية عن الأمطار أو الرطوبة. يزداد خطر الصدمات الكهربائية إن تسرب الماء إلى داخل العدد الكهربائية.

لا تسيء استعمال الكابل لحمل العدد الكهربائية أو تعليقها أو لسحب القابس من المقبس. حافظ على إبعاد الكابل عن الحرارة والزيت والمواف الحادة أو عن أجزاء الجهاز المتحركة. تزيد الكابلات التالفة أو المتشابكة من خطر الصدمات الكهربائية.

استخدم فقط كابلات التمديد الصالحة للاستعمال الخارجي أيضاً عندما تشتغل بالعدد الكهربائية في الخلاء. يخفض استعمال كابل تمديد مخصص للاستعمال الخارجي من خطر الصدمات الكهربائية.

إن لم يكن بالإمكان تجنب تشغيل العدد الكهربائية في الأجواء الرطبة، فاستخدم مفتاح للوقاية من التيار المتخلف. إن استخدام مفتاح للوقاية من التيار المتخلف يقلل خطر الصدمات الكهربائية.

أمان الأشخاص

كن يقظاً وانتبه إلى ما تفعله وقم بالعمل بواسطة العدد الكهربائية بتعقل. لا تستخدم عدة كهربائية عندما تكون متعب أو عندما تكون تحت تأثير المخدرات أو الكحول أو الأدوية. عدم الانتباه للحظة واحدة عند استخدام العدد الكهربائية قد يؤدي إلى إصابات خطيرة.

ارتد عتاد الوقاية الخاص وارتد دائماً نظارات واقية. يحد ارتداء عتاد الوقاية الخاص، كقناع الوقاية من الغبار وأحذية الأمان الواقية من الانزلاق والحد أو واقية الأذنين، حسب نوع واستعمال العدد الكهربائية، من خطر الإصابة بجروح.

تجنب التشغيل بشكل غير مقصود. تأكد من كون العدد الكهربائية مطفأة قبل وصلها بإمداد التيار الكهربائي و/أو بالمركم، وقبل رفعها أو حملها. إن كنت تضع إصبعك على المفتاح أثناء حمل العدد الكهربائية أو إن وصلت الجهاز بالشبكة الكهربائية عندما يكون قيد التشغيل، فقد يؤدي ذلك إلى حدوث الحوادث.

انزع عدد الضبط أو مفتاح الربط قبل تشغيل العدد الكهربائية. قد تؤدي العدد أو المفتاح المتواجد في جزء دوار من الجهاز إلى الإصابة بجروح.

تجنب أوضاع الجسد الغير طبيعية. قف بأمان وحافظ على توازنك دائماً. سيسمح لك ذلك من السيطرة على الجهاز بشكل أفضل في المواقف الغير متوقعة.

ارتد ثياب مناسبة. لا ترتد الثياب الفضفاضة أو الملبي. حافظ على إبقاء الشعر والثياب والقفازات على بعد عن أجزاء الجهاز المتحركة. قد تشابك الثياب الفضفاضة والملبي والشعر الطويل بالأجزاء المتحركة.

إن جاز تركيب تجهيزات شفط وتجميع الغبار، فتأكد من أنها موصولة وبأنه يتم استخدامها بشكل سليم. قد يقلل استخدام تجهيزات لشفط الأغبرة من المخاطر الناتجة عن الأغبرة.

حسن معاملة واستخدام العدد الكهربائية

لا تفرط بتحميل الجهاز. استخدم لتنفيذ أشغالك العدد الكهربائية المخصصة لذلك. إنك تعمل بشكل أفضل وأكثر أماناً بواسطة العدد الكهربائية الملائمة في مجال الأداء المذكور.

لا تستخدم العدد الكهربائية إن كان مفتاح تشغيلها تالف. العدد الكهربائية التي لم تعد تسمح بتشغيلها أو بإطفاؤها خطيرة ويجب أن يتم تصليحها.

اسحب القابس من المقبس و/أو انزع المركم قبل ضبط الجهاز وقبل استبدال قطع التوايح أو قبل وضع الجهاز جانباً. تمنع إجراءات الامتياط هذه تشغيل العدد الكهربائية بشكل غير مقصود.

احتفظ بالعدد الكهربائية التي لا يتم استخدامها بعيداً عن منال الأطفال. لا تسمح باستخدام العدد الكهربائية لمن لا خبرة له بها أو لمن لا يقرأ تلك التعليمات. العدد الكهربائية خطيرة إن تم استخدامها من قبل أشخاص دون خبرة.

اعتن بالعدد الكهربائية بشكل جيد. تفحص عما إذا كانت أجزاء الجهاز المتحركة تعمل بشكل سليم وبأنها غير مستعصية عن الحركة أو إن كانت هناك أجزاء مكسورة أو تالفة لدرجة تؤثر فيها على حسن أداء العدد الكهربائية. ينبغي تصليح هذه الأجزاء التالفة قبل إعادة تشغيل الجهاز. الكثير من الحوادث مصدرها العدد الكهربائية التي تم صيانتها بشكل رديء.

از رده خارج کردن دستگاه

ابزار برقی، متعلقات و بسته بندی آن، باید طبق مقررات حفظ محیط زیست از رده خارج و بازیافت شوند.
ابزارهای برقی را داخل زباله دان خانگی نیندازید!

حق هرگونه تغییری محفوظ است.

تنظیم سرعت (دور موتور)

شما می توانید سرعت ابزار برقی را در حالت روشن بودن آن، بدون درجه بندی و بطور دلخواه تنظیم کنید. این امر بر حسب اینکه شما تا چه حد کلید قطع و وصل 3 را فشار دهید، قابل تنظیم است.

فشار کم بر روی کلید قطع و وصل 3، میزان سرعت را کاهش میدهد. افزایش فشار بر روی کلید قطع و وصل باعث افزایش سرعت میشود.

راهنمایی های عملی

◀ **ابزار برقی را تنها در حالت خاموش روی پیچ و یا مهره قرار دهید.** امکان لغزش ابزار در حال چرخش وجود دارد.

پس از مدتی کار تمت سرعت کم، بایستی ابزار برقی را برای خنک شدن به مدت تقریباً 3 دقیقه با حداکثر سرعت در حالت آزاد بکار اندازید.

برای مته کاری در فلزات فقط از مته های سالم و تیز از جنس HSS، (فولاد قوی سریع = HSS) استفاده کنید. لیست ابزار و متعلقات شرکت بوش تضمین کننده بهترین کیفیت ابزار میباشد.

پیش از پیچ کردن پیچ های بزرگ و بلند داخل قطعات سخت، باید نخست يك سوراخ به قطر مغزی رزوه پیچ و به اندازه % طول پیچ داخل قطعه کار ایجاد کنید.

مراقبت و سرویس

مراقبت، تعمیر و تمیز کردن دستگاه

◀ **پیش از انجام هرگونه کاری بر روی ابزار الکتریکی، دوشاخه اتصال آنرا از داخل پریز برق بیرون بکشید.**
◀ **ابزار الکتریکی و شیارهای تهویه آنرا تمیز نگاه دارید، تا ایمنی شما در کار تضمین گردد.**

در صورت نیاز به یک کابل بدکی برای اتصال به شبکه برق، بایستی به شرکت بوش و یا به نمایندگی مجاز بوش (خدمات پس از فروش) برای ابزار آلات برقی بوش مراجعه کنید تا از بروز خطرات ایمنی جلوگیری بعمل آید.

خدمات پس از فروش و مشاوره با

مشتریان

دفتر خدمات پس از فروش به سئوالات شما در باره تعمیرات، سرویس و همچنین قطعات یدکی و متعلقات پاسخ خواهد داد. تصاویر و اطلاعات در باره قطعات یدکی و متعلقات را میتوانید در سایت نامبرده زیر جستجو نمایید:

www.bosch-pt.com

تیم مشاور خدمات پس از فروش شرکت بوش با کمال میل به سئوالات شما در باره خرید، طرز استفاده و تنظیم محصولات و متعلقات پاسخ میدهد.

برای هرگونه سؤال و یا سفارش ابزار یدکی و متعلقات، حتماً شماره فنی ده رقمی کالا را مطابق برجسب روی ابزار برقی اطلاع دهید.

برای استفاده از گارانتی، تعمیر دستگاه و تهیه ابزار یدکی فقط به افراد متخصص مراجعه کنید.

مکش گرد، براده و تراشه

گرد و غبار موادی مانند رنگ های دارای سرب، بعضی از چوب ها، مواد معدنی و فلزات میتوانند برای سلامتی مضر باشند. دست زدن و یا تنفس کردن گرد و غبار ممکن است باعث بروز آلرژی و یا بیماری مجاری تنفسی شخص استفاده کننده و یا افرادی که در آن نزدیکی میباشند، بشود.

گرد و غبارهای مخصوصی مانند گرد و غبار درخت بلوط و یا درخت راش سرطان زا هستند. بخصوص ترکیب آنها با سایر موادی که برای کار بر روی چوب (کرومات، مواد برای محافظت از چوب) بکار برده میشوند. فقط افراد متخصص مجازند با موادی که دارای آزرست میباشند کار کنند.

- توجه داشته باشید که محل کار شما از تهویه هوای کافی برخوردار باشد.
- توصیه میشود از ماسک تنفسی ایمنی با درجه فیلتر P2 استفاده کنید.

به قوانین و مقررات معتبر در کشور خود در رابطه با استفاده از مواد و قطعات کاری توجه کنید.

◀ از تجمع گرد و غبار در محل کار خود جلوگیری بعمل آورید. گرد و غبار می تواند به آسانی مشتعل شوند.

طرز کار با دستگاه

راه اندازی و نحوه کاربرد دستگاه

◀ به ولتاژ برق شبکه توجه کنید! ولتاژ منبع جریان برق باید با مقادیر موجود بر روی برچسب ابزار الکتریکی مطابقت داشته باشد. ابزارهای برقی را که با ولتاژ 230 V ولت مشخص شده اند، می توان تحت ولتاژ 220 V ولت نیز بکار برد.

تنظیم جهت چرخش

◀ کلید تغییر جهت چرخش را 4 فقط در صورت خاموش بودن دستگاه فعال کنید.

با کمک کلید تغییر جهت چرخش 4 میتوانید جهت چرخش ابزار برقی را تغییر دهید. این عمل در حالتی که کلید قطع و وصل 3 فشرده باشد، امکان پذیر نیست.

چرخش راست گرد: برای سوراخکاری و برای بستن پیچ، کلید تغییر جهت چرخش 4 را تا نقطه ایست به سمت چپ فشار دهید.

چرخش چپ گرد: برای باز کردن و بیرون آوردن پیچ ها و مهره ها، کلید تغییر جهت چرخش 4 را تا نقطه ایست به سمت راست فشار دهید.

نحوه روشن و خاموش کردن

برای روشن کردن ابزار برقی، کلید قطع و وصل 3 را فشار داده و آنرا در حالت فشرده نگهدارید.

برای قفل و تثبیت کلید قطع و وصل 3 در حالی که به داخل فشرده باشد، دکمه تثبیت 2 را فشار دهید.

جهت صرفه جویی در انرژی، ابزار برقی را فقط وقتی روشن کنید که می خواهید از آن استفاده کنید.

برای خاموش کردن ابزار برقی، کلید قطع و وصل 3 را رها کنید.

مشخصات فنی

دستگاه دریل ساده		GBM 1000
شماره فنی	3 601 AA9 0..	
قدرت ورودی نامی	W	350
قدرت خروجی	W	160
سرعت در حالت آزاد	min ⁻¹	0-2800
تعداد دور (سرعت)	min ⁻¹	0-2000
کنترل و تنظیم سرعت	●	
چرخش راست گرد/ چپ گرد	●	
دامنه مهار سه نظام	mm	1-10
حداکثر قطر سوراخ کاری Ø		
- فولاد	mm	10
- چوب	mm	20
- آلومینیوم	mm	13
وزن مطابق استاندارد EPTA-Procedure 01:2014	kg	1,2
کلاس ایمنی	II / □	

این اطلاعات برای ولتاژ نامی 230 V [U] ولت می باشند و در صورت تغییر ولتاژ و یا در کشورهای دیگر می توانند تغییر کنند.

نصب

تعویض ابزار (رجوع شود به تصویر A)

◀ پیش از انجام هرگونه کاری بر روی ابزار الکتریکی، دوشاخه اتصال آنرا از داخل پریز برق بیرون بکشید. سه نظام معمولی (دندانه ای) 1 را با چرخاندن آن تا حدی باز کنید که بتوان ابزار را داخل آن قرار داد. ابزار را قرار دهید.

آچار سه نظام 6 را داخل سوراخهای مربوطه سه نظام معمولی (دندانه ای) 1 قرار دهید و ابزار را بطور یکنواخت مهار کنید.

ابزار برای پیچکاری (رجوع شود به تصویر B)

هنگام استفاده از سربپیچگوشی های 7 باید همیشه از یک رابط سربپیچگوشی 8 برای انواع سر پیچگوشی ها (نگهدارنده یونیورسال) استفاده کنید. تنها از سر پیچگوشی هایی استفاده کنید که با اندازه سربپیچ (گل) پیچ متناسب باشند.

نحوه تعویض سه نظام

سه نظام ابزارهای برقی فاقد قفل محور باید توسط نمایندگی مجاز و خدمات پس از فروش ابزارآلات برقی بوش تعویض شود.

سه نظام دستگاه باید با گشتاور مهار تقریبی 30 Nm - 25 (نیوتن متر) محکم شود.



◀ **قبل از تنظیم ابزار الکتریکی، تعویض متعلقات و یا کنار گذاشتن آن، دوشاخه را از برق کشیده و یا باتری آنرا خارج کنید.** رعایت این اقدامات پیشگیری ایمنی از راه افتادن ناخواسته ابزار الکتریکی جلوگیری می کند.

◀ **قبل از تنظیم ابزار الکتریکی، تعویض متعلقات و یا کنار گذاشتن آن، دوشاخه را از برق کشیده و یا باتری آنرا خارج کنید.** رعایت این اقدامات پیشگیری ایمنی از راه افتادن ناخواسته ابزار الکتریکی جلوگیری می کند.

◀ **ابزار الکتریکی را در صورت عدم استفاده، از دسترس کودکان دور نگهدارید.** اجازه ندهید که افراد ناوارد و یا اشخاصی که این دفترچه راهنما را نخوانده اند، با این دستگاه کار کنند. قرار گرفتن ابزار الکتریکی در دست افراد ناوارد و بی تجربه خطرناک است.

◀ **ابزار الکتریکی را خوب محکم نگهدارید.** به هنگام بستن و یا باز کردن پیچ، امکان عکس العمل شدید گشتاور برای مدت کوتاهی وجود دارد.

◀ **ابزار الکتریکی را هنگام کار، با هر دو دست محکم گرفته و جایگاه مطمئنی برای خود انتخاب کنید.** ابزار برقی را میتوان با دو دست بهتر و مطمئن تر بکار گرفت و آنرا هدایت کرد.

◀ **از ابزار الکتریکی خوب مراقبت کنید.** مواظب باشید که قسمت های متمرک دستگاه خوب کار کرده و گیر نکنند. همچنین دقت کنید که قطعات ابزار الکتریکی شکسته و یا آسیب دیده نباشند. قطعات آسیب دیده را قبل از شروع به کار تعمیر کنید. علت بسیاری از سوانح کاری، عدم مراقبت کامل از ابزارهای الکتریکی می باشد.

◀ **قطعه کار را محکم کنید.** در صورتیکه قطعه کار به وسیله تجهیزات نگهدارنده و یا بوسیله گیره محکم شده باشد، قطعه کار مطمئن تر نگه داشته میشود، تا اینکه بوسیله دست نگهداشته شود.

◀ **قبل از کنار گذاشتن ابزار برقی صبر کنید تا دستگاه بطور کامل از کار و حرکت بایستد.** ابزار و ملحقات دستگاه ممکن است به قطعه کار گیر کرده و کنترل ابزار برقی از دست شما خارج شود.

◀ **ابزار برش را تیز و تمیز نگهدارید.** ابزار برشی که خوب مراقبت شده و از لبه های تیز برخوردارند، کمتر در قطعه کار گیر کرده و بهتر قابل هدایت می باشند.

تشریح دستگاه و عملکرد آن

کلید دستورات ایمنی و راهنمایی ها را مطالعه کنید. اشتباهات ناشی از عدم رعایت این دستورات ایمنی ممکن است باعث برق گرفتگی، سوختگی و یا سایر جراحات های شدید شود.



لطفاً صفحه تا شده این دفترچه راهنما را که حاوی تصویر ابزار برقی است، باز کنید و هنگام خواندن این دفترچه راهنما، آنرا باز نگهدارید.

◀ **ابزارهای الکتریکی، متعلقات، ابزاری که روی دستگاه نصب می شوند و غیره را مطابق دستورات این جزوه راهنما طوری به کار بگیرید که با مدل این دستگاه تناسب داشته باشند.** همچنین به شرایط کاری و نوع کار توجه کنید. کاربرد ابزار برقی برای موارد کاری که برای آن در نظر گرفته نشده است، میتواند شرایط خطرناکی را منجر شود.

سرویس

◀ **برای تعمیر ابزار الکتریکی فقط به متخصصین حرفه ای رجوع کرده و از وسائل یدکی اصل استفاده کنید.** این باعث خواهد شد که ایمنی دستگاه شما تضمین گردد.

موارد استفاده از دستگاه

این ابزار برقی برای سوراخ کاری (مته کاری) در چوب، فلز، سرامیک و مواد پلاستیکی در نظر گرفته شده است. ابزارهای برقی مجهز به کنترل و تنظیم الکترونیکی و امکان چرخش راست گرد / چپ گرد برای پیچ کاری و قلاویر کاری نیز مناسب میباشد.

نکات ایمنی برای دریل ها و پیچ گوشتی ها

◀ **از دسته کمکی استفاده کنید، چنانچه به همراه ابزار برقی ارسال شده باشد.** از دست دادن کنترل بر ابزار برقی می تواند به کاربر آسیب برساند.

◀ **چنانچه بسته به نوع کار خود، امکان تماس متعلقات ابزار با کابل های برق (داخل ساختمان) که قابل رؤیت نیستند و یا کابل خود ابزار برقی وجود داشته باشد، بایستی ابزار برقی را از محل دسته و سطوح عایق دار آن در دست بگیرید.** تماس با سیم و کابلی که هادی جریان برق است، می تواند جریان برق را به بخش های فلزی دستگاه نیز انتقال دهد و باعث برق گرفتگی شود.

◀ **اجزاء دستگاه**
شماره های اجزاء دستگاه که در تصویر مشاهده میشود، مربوط به شرح ابزار برقی می باشد که تصویر آن در این دفترچه آمده است.

◀ **برای یافتن لوله ها و سیمهای برق پنهان تأسیسات، از دستگاه های ردیاب مناسب آن استفاده کنید و در صورت نیاز با شرکت های کارهای تأسیسات ساختمان محل تماس بگیرید.** تماس با سیم های برق میتواند باعث آتش سوزی و یا برق گرفتگی شود. آسیب دیدن لوله گاز می تواند باعث ایجاد انفجار شود. سوراخ شدن لوله آب، باعث خسارت و یا برق گرفتگی میشود.

- 1 سه نظام معمولی (دندانه ای)
- 2 دکمه قفل و تثبیت کلید قطع و وصل دستگاه
- 3 کلید قطع و وصل
- 4 کلید تغییر جهت چرخش
- 5 دسته (با روکش عایق دار)
- 6 آچار سه نظام
- 7 سرپیچگوشتی *
- 8 نگهدارنده یونیورسال/رابط سرپیچگوشتی برای انواع سرپیچگوشتی ها *

* **کلید تعلقاتی که در تصویر و یا در متن آمده است، بطور معمول همراه دستگاه ارائه نمی شود.** لطفاً لیست کامل متعلقات را از فهرست برنامه متعلقات اقتباس نمایید.

◀ **در صورت گیر کردن و بلوکه شدن ابزار، ابزار برقی (دستگاه) را فوراً خاموش کنید.** در این حالت مواظب واکنش های شدید گشتاور باشید که باعث پس زدن

فارسی

راهنمائی های ایمنی

راهنمائی های ایمنی عمومی برای ابزارهای الکتریکی

هشدار همه دستورات ایمنی و راهنمائی ها را بخوانید. اشتباهات ناشی از عدم رعایت این دستورات ایمنی ممکن است باعث برق گرفتگی، سوختگی و یا سایر جراحات های شدید شود.

همه هشدار های ایمنی و راهنمائی ها را برای آینده خوب نگهداری کنید.

هر جا در این راهنما از «ابزار الکتریکی» صحبت میشود، منظور ابزارهای الکتریکی (با سیم برق) و یا ابزارهای الکتریکی باطری دار (بدون سیم برق) می باشد.

ایمنی محل کار

محل کار خود را تمیز، مرتب و مجزه به نور کافی نگهدارید. محیط کار نامرتب و کم نور میتواند باعث سوانح کاری شود.

با ابزار الکتریکی در محیط هایی که در آن خطر انفجار وجود داشته و حاوی مایعات، گازها و بخارهای محترقه باشد، کار نکنید. ابزار های الکتریکی جرقه هایی ایجاد می کنند که می توانند باعث آتش گرفتن گرد و غبارهای موجود در هوا شوند.

هنگام کار با ابزار الکتریکی، کودکان و سایر افراد را از دستگاه دور نگهدارید. در صورتیکه حواس شما پرت شود، ممکن است کنترل دستگاه از دست شما خارج شود.

ایمنی الکتریکی

دوشاخه ابزار الکتریکی باید با پریز برق تناسب داشته باشد. هیچگونه تغییری در دوشاخه ندهید. مبدل دوشاخه نباید همراه با ابزار الکتریکی دارای اتصال به زمین استفاده شود. دوشاخه های اصل و تغییر داده نشده و پریزهای مناسب، خطر شوک الکتریکی و برق گرفتگی را کم می کنند.

از تماس بدنی با قطعات متصل به سیم اتصال به زمین مانند لوله، شوفاز، اجاق برقی و یخچال خودداری کنید. در صورت تماس بدنی با سطوح و قطعات دارای اتصال به زمین و همچنین تماس شما با زمین، خطر برق گرفتگی افزایش می یابد.

دستگاه را از باران و رطوبت دور نگهدارید. نفوذ آب به ابزار الکتریکی، خطر شوک الکتریکی را افزایش میدهد.

از سیم دستگاه برای کارهایی چون حمل ابزار الکتریکی، آویزان کردن آن و یا خارج کردن دوشاخه از برق استفاده نکنید. کابل دستگاه را در مقابل حرارت، روغن، لبه های تیز و بخش های متحرک دستگاه دور نگهدارید. کابل های آسیب دیده و یا گره خورده خطر شوک الکتریکی را افزایش میدهند.

در صورتیکه با ابزار الکتریکی در محیط باز کار میکنید، تنها از کابل رابطی استفاده کنید که برای محیط باز نیز مناسب باشد. کابل های رابط مناسب برای محیط باز، خطر برق گرفتگی را کم می کنند.

در صورت لزوم کار با ابزار برقی در محیط و اماکن مرطوب، باید از یک کلید حفاظتی جریان خطا و نشتی زمین (کلید قطع کننده اتصال با زمین) استفاده کنید. استفاده از کلید حفاظتی جریان خطا و نشتی زمین خطر برق گرفتگی را کاهش می دهد.

رعایت ایمنی اشخاص

حواس خود را خوب جمع کنید، به کار خود دقت کنید و با فکر و هوش کامل با ابزار الکتریکی کار کنید. در صورت خستگی و یا در صورتیکه مواد مخدر، الکل و دارو استفاده کرده اید، با ابزار الکتریکی کار نکنید. یک لحظه بی توجهی هنگام کار با ابزار الکتریکی، میتواند جراحات های شدیدی به همراه داشته باشد.

از تجهیزات ایمنی شخصی و از عینک ایمنی همواره استفاده کنید. استفاده از تجهیزات ایمنی مانند ماسک ایمنی، کفش های ایمنی ضد لغزش، کلاه ایمنی و گوشی ایمنی متناسب با نوع کار با ابزار الکتریکی، خطر مجروح شدن را کاهش میدهد.

مواظب باشید که ابزار الکتریکی بطور ناخواسته بکار نیفتد. قبل از وارد کردن دوشاخه دستگاه در پریز برق، اتصال آن به باطری، برداشتن آن و یا حمل دستگاه، باید دقت کنید که ابزار الکتریکی خاموش باشد. در صورتیکه هنگام حمل دستگاه انگشت شما روی دکمه قطع و وصل باشد و یا دستگاه را در حالت روشن به برق بزنید، ممکن است سوانح کاری پیش آید.

قبل از روشن کردن ابزار الکتریکی، باید همه ابزارهای تنظیم کننده و آچار ها را از روی دستگاه بردارید. ابزار و آچارهایی که روی بخش های چرخنده دستگاه قرار دارند، میتوانند باعث ایجاد جراحات شوند. وضعیت بدن شما باید در حالت عادی قرار داشته باشد. برای کار جای مطمئنی برای خود انتخاب کرده و تعادل خود را همواره حفظ کنید. به این ترتیب می توانید ابزار الکتریکی را در وضعیت های غیر منتظره بهتر تحت کنترل داشته باشید.

لباس مناسب بپوشید. از پوشیدن لباس های گشاد و حمل زینت آلات خودداری کنید. موها، لباس و دستکش ها را از بخش های در حال چرخش دستگاه دور نگهدارید. لباس های گشاد، موی بلند و زینت آلات ممکن است در قسمت های در حال چرخش دستگاه گیر کنند.

در صورتیکه میتوانید وسایل مکش گرد و غبار و یا وسیله جمع کننده گرد و غبار را به دستگاه نصب کنید، باید مطمئن شوید که این وسایل درست نصب و استفاده می شوند. استفاده از وسایل مکش گرد و غبار مصونیت شما را در برابر گرد و غبار زیاد تر میکند.

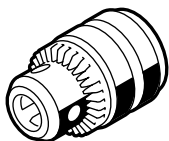
استفاده صحیح از ابزار الکتریکی و مراقبت از آن

از وارد کردن فشار زیاد روی دستگاه خودداری کنید. برای هر کاری، از ابزار الکتریکی مناسب با آن استفاده کنید. بکار گرفتن ابزار الکتریکی مناسب باعث میشود که بتوانید از توان دستگاه بهتر و با اطمینان بیشتر استفاده کنید.

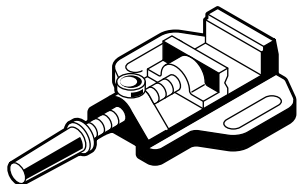
در صورت ایراد در کلید قطع و وصل ابزار برقی، از دستگاه استفاده نکنید. ابزار الکتریکی که نمی توان آنها را قطع و وصل کرد، خطرناک بوده و باید تعمیر شوند.



1 612 025 031



1 608 571 053



2 608 030 053 (MS 65)
2 608 030 054 (MS 75)
2 608 030 055 (MS 80)