

Robert Bosch Power Tools GmbH
70538 Stuttgart
GERMANY

www.bosch-pt.com

1 609 92A 39U (2015.12) PS / 50



1 609 92A 39U

GBL 18V-120 Professional

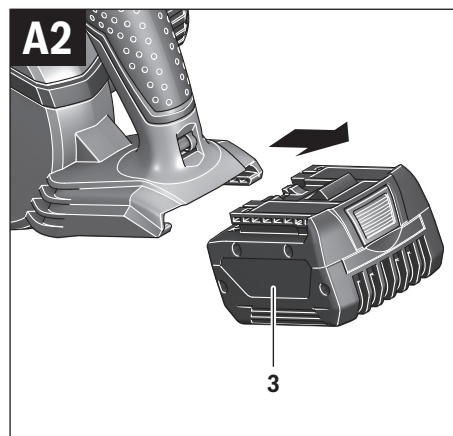
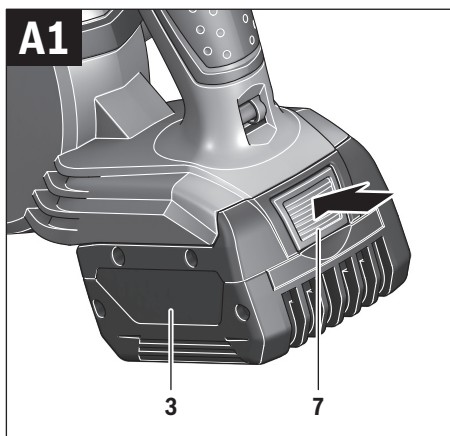
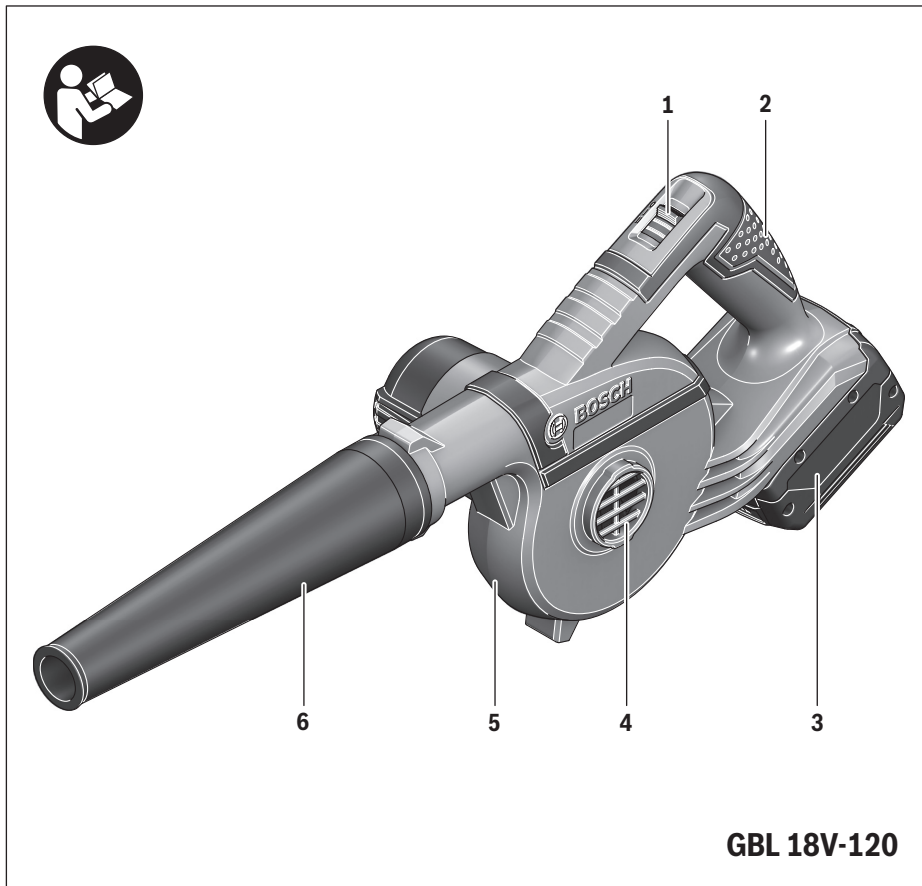


en Original instructions
fr Notice originale
pt Manual original
cn 正本使用说明书
tw 原始使用說明書
ko 사용 설명서 원본
th หนังสือคู่มือการใช้งานฉบับต้นแบบ

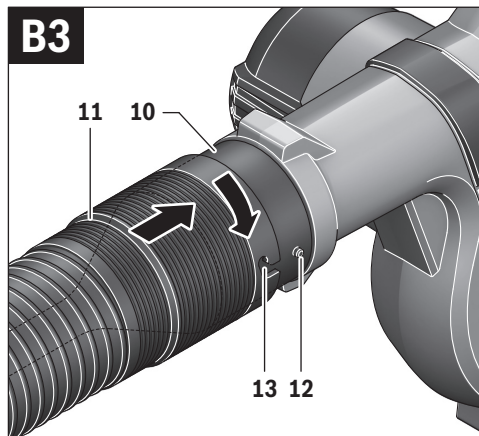
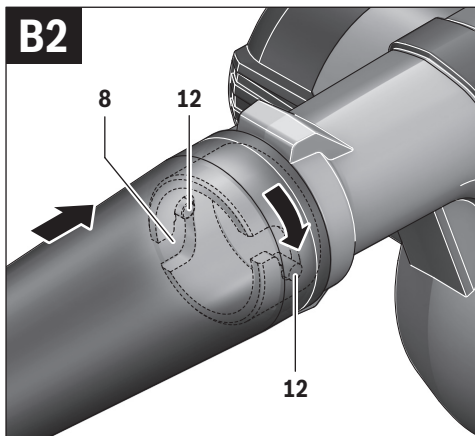
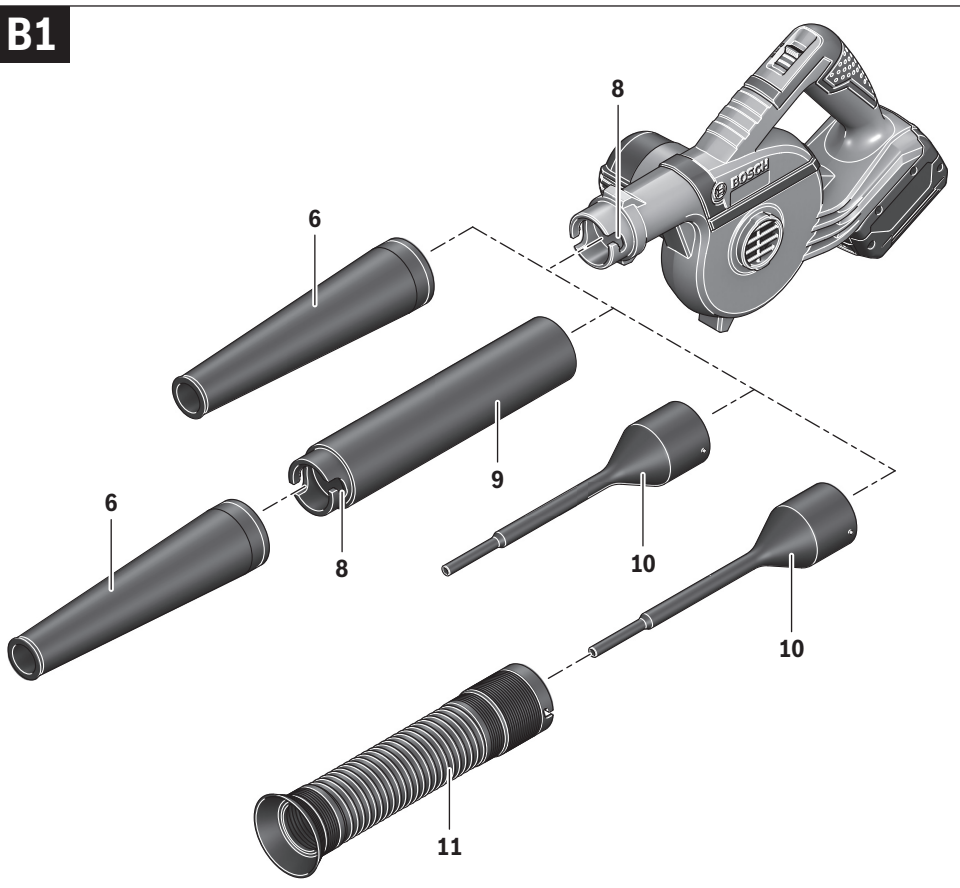
id Petunjuk-Petunjuk untuk Penggunaan Orisinal
vi Bản gốc hướng dẫn sử dụng
ar تعليمات التشغيل الأصلية
fa دفترچه راهنمای اصلی



English	Page 5
Français	Page 10
Português	Página 14
中文	页 17
中文	頁 21
한국어	페이지 24
ภาษาไทย	หน้า 28
Bahasa Indonesia	Halaman 32
Tiếng Việt	Trang 36
عربي	صفحة 44
فارسی	صفحه 48



4 |



English

Safety Notes

General Power Tool Safety Warnings

⚠ WARNING Read all safety warnings and all instructions. Failure to follow the warnings and instructions may result in electric shock, fire and/or serious injury.

Save all warnings and instructions for future reference.

The term "power tool" in the warnings refers to your mains-operated (corded) power tool or battery-operated (cordless) power tool.

Work area safety

- ▶ **Keep work area clean and well lit.** Cluttered or dark areas invite accidents.
- ▶ **Do not operate power tools in explosive atmospheres, such as in the presence of flammable liquids, gases or dust.** Power tools create sparks which may ignite the dust or fumes.
- ▶ **Keep children and bystanders away while operating a power tool.** Distractions can cause you to lose control.

Electrical safety

- ▶ **Power tool plugs must match the outlet. Never modify the plug in any way. Do not use any adapter plugs with earthed (grounded) power tools.** Unmodified plugs and matching outlets will reduce risk of electric shock.
- ▶ **Avoid body contact with earthed or grounded surfaces, such as pipes, radiators, ranges and refrigerators.** There is an increased risk of electric shock if your body is earthed or grounded.
- ▶ **Do not expose power tools to rain or wet conditions.** Water entering a power tool will increase the risk of electric shock.
- ▶ **Do not abuse the cord. Never use the cord for carrying, pulling or unplugging the power tool. Keep cord away from heat, oil, sharp edges and moving parts.** Damaged or entangled cords increase the risk of electric shock.
- ▶ **When operating a power tool outdoors, use an extension cord suitable for outdoor use.** Use of a cord suitable for outdoor use reduces the risk of electric shock.
- ▶ **If operating a power tool in a damp location is unavoidable, use a residual current device (RCD) protected supply.** Use of an RCD reduces the risk of electric shock.

Personal safety

- ▶ **Stay alert, watch what you are doing and use common sense when operating a power tool. Do not use a power tool while you are tired or under the influence of drugs, alcohol or medication.** A moment of inattention while operating power tools may result in serious personal injury.
- ▶ **Use personal protective equipment. Always wear eye protection.** Protective equipment such as dust mask, non-skid safety shoes, hard hat, or hearing protection

used for appropriate conditions will reduce personal injuries.

- ▶ **Prevent unintentional starting. Ensure the switch is in the off-position before connecting to power source and/or battery pack, picking up or carrying the tool.** Carrying power tools with your finger on the switch or energising power tools that have the switch on invites accidents.
- ▶ **Remove any adjusting key or wrench before turning the power tool on.** A wrench or a key left attached to a rotating part of the power tool may result in personal injury.
- ▶ **Do not overreach. Keep proper footing and balance at all times.** This enables better control of the power tool in unexpected situations.
- ▶ **Dress properly. Do not wear loose clothing or jewellery. Keep your hair, clothing and gloves away from moving parts.** Loose clothes, jewellery or long hair can be caught in moving parts.
- ▶ **If devices are provided for the connection of dust extraction and collection facilities, ensure these are connected and properly used.** Use of dust collection can reduce dust-related hazards.

Power tool use and care

- ▶ **Do not force the power tool. Use the correct power tool for your application.** The correct power tool will do the job better and safer at the rate for which it was designed.
- ▶ **Do not use the power tool if the switch does not turn it on and off.** Any power tool that cannot be controlled with the switch is dangerous and must be repaired.
- ▶ **Disconnect the plug from the power source and/or the battery pack from the power tool before making any adjustments, changing accessories, or storing power tools.** Such preventive safety measures reduce the risk of starting the power tool accidentally.
- ▶ **Store idle power tools out of the reach of children and do not allow persons unfamiliar with the power tool or these instructions to operate the power tool.** Power tools are dangerous in the hands of untrained users.
- ▶ **Maintain power tools. Check for misalignment or binding of moving parts, breakage of parts and any other condition that may affect the power tool's operation. If damaged, have the power tool repaired before use.** Many accidents are caused by poorly maintained power tools.
- ▶ **Keep cutting tools sharp and clean.** Properly maintained cutting tools with sharp cutting edges are less likely to bind and are easier to control.
- ▶ **Use the power tool, accessories and tool bits etc. in accordance with these instructions, taking into account the working conditions and the work to be performed.** Use of the power tool for operations different from those intended could result in a hazardous situation.

Battery tool use and care

- ▶ **Recharge only with the charger specified by the manufacturer.** A charger that is suitable for one type of battery

6 | English

pack may create a risk of fire when used with another battery pack.

- ▶ **Use power tools only with specifically designated battery packs.** Use of any other battery packs may create a risk of injury and fire.
- ▶ **When battery pack is not in use, keep it away from other metal objects, like paper clips, coins, keys, nails, screws or other small metal objects, that can make a connection from one terminal to another.** Shorting the battery terminals together may cause burns or a fire.
- ▶ **Under abusive conditions, liquid may be ejected from the battery; avoid contact. If contact accidentally occurs, flush with water. If liquid contacts eyes, additionally seek medical help.** Liquid ejected from the battery may cause irritation or burns.

Service

- ▶ **Have your power tool serviced by a qualified repair person using only identical replacement parts.** This will ensure that the safety of the power tool is maintained.

Safety Warnings for Cordless Blowers

- ▶ **Make sure that bystanders are not injured by foreign objects being hurled away.**
- ▶ **Keep your fingers away from the openings of the power tool during operation. Operate the blower only with a nozzle attached.** The rotating fan can injure you.
- ▶ **Do not blow together any harmful substances, e.g. beech or oak wood dust, rock dust or asbestos.** These substances are considered carcinogenic.
- ▶ **Do not blow together any liquids.** The penetration of liquids increases the risk of an electric shock.
- ▶ **Keep the power tool away from rain or moisture.** The penetration of water into the motor increases the risk of an electric shock.
- ▶ **Provide for good ventilation at the working place.**
- ▶ **Wear additional personal protective equipment, such as safety goggles and respirator.** Wearing protective equipment for appropriate conditions reduces the exposure toward hazardous substances.



- ▶ **Do not open the battery.** Danger of short-circuiting.



Protect the battery against heat, e. g., against continuous intense sunlight, fire, water, and moisture. Danger of explosion.

- ▶ **In case of damage and improper use of the battery, vapours may be emitted. Ventilate the area and seek medical help in case of complaints.** The vapours can irritate the respiratory system.
- ▶ **Use the battery only together with your Bosch product.** This is the only way to protect the battery against dangerous overload.

- ▶ **The battery can be damaged by pointed objects such as nails or screwdrivers or by force applied externally.** An internal short circuit can occur and the battery can burn, smoke, explode or overheat.

Product Description and Specifications



Read all safety warnings and all instructions. Failure to follow the warnings and instructions may result in electric shock, fire and/or serious injury.

Intended Use

The power tool is intended for blowing together non-harmful substances (e.g. sawing chips, metal chips, stone dust, etc.) produced during sawing, drilling or grinding. Bore holes can also be blown out with suitable accessories.

The power tool is not suitable for blowing together hot, flammable or explosive materials.

Product Features

The numbering of the product features refers to the illustration of the machine on the graphics page.

- 1 On/Off switch with stage selector
- 2 Handle
- 3 Battery pack*
- 4 Air intake
- 5 Motor housing
- 6 Nozzle
- 7 Battery unlocking button
- 8 Notch for accessory connection
- 9 Extension tube
- 10 Bore hole nozzle
- 11 Dust collection tube
- 12 Bayonet lock
- 13 Notch for dust collection tube

*Accessories shown or described are not part of the standard delivery scope of the product. A complete overview of accessories can be found in our accessories program.

Technical Data

Cordless blower		GBL 18V-120	
Article number		3 601 JF5 1..	
No-load speed	min ⁻¹	17000	
Air speed, max.	m/s	75	
Air volume	m ³ /min	2.0	
Weight according to EPTA-Procedure 01:2014	kg	1.4/1.68 ¹⁾	

Technical data determined with battery from delivery scope.

1) depending on the battery pack being used
2) Limited performance at temperatures < 0 °C

Cordless blower		GBL 18V-120
Permitted ambient temperature		
– during charging	°C	0... +45
– during operation ²⁾ and during storage	°C	–20... +50
Recommended batteries		GBA 18V.. GBA 18V... W
Recommended chargers		AL 18.. GAL 3680
Recommended chargers for wireless charging batteries		GAL 18... W
Operating duration per battery-pack charge		
– Blower level I	min/Ah	9
– Blower level II	min/Ah	5
Technical data determined with battery from delivery scope.		
1) depending on the battery pack being used		
2) Limited performance at temperatures <0 °C		

Assembly

Battery Charging

► **Use only the battery chargers listed on the accessories page.** Only these battery chargers are matched to the lithium-ion battery of your power tool.

Note: The battery supplied is partially charged. To ensure full capacity of the battery, completely charge the battery in the battery charger before using your power tool for the first time.

The battery must be removed from the power tool to charge it. The lithium-ion battery can be charged at any time without reducing its service life. Interrupting the charging procedure does not damage the battery.

The “Electronic Cell Protection (ECP)” protects the lithium-ion battery against deep discharging. When the battery is discharged, the power tool is switched off by a protective circuit.

► **Do not continue to press the On/Off switch after the machine has been automatically switched off.** The battery can be damaged.

The battery is equipped with a NTC temperature control which allows charging only within a temperature range of between 0 °C and 45 °C. A long battery service life is achieved in this manner.

A significantly reduced working period after charging indicates that the battery is used and must be replaced.

Observe the notes for disposal.

Removing the battery (see figures A1 – A2)

The battery **3** is equipped with two locking levels that should prevent the battery from falling out when pushing the battery unlocking button **7** unintentionally. As long as the battery is inserted in the power tool, it is held in position by means of a spring.

- To remove the battery **3**, press the unlocking buttons **7** and pull the battery out of the machine to the rear. **Do not exert any force.**

Mounting the Blower Accessories (see figures B1 – B3)

► **Remove the battery before cleaning or performing maintenance on the blower, making tool adjustments, changing accessories or storing the blower.** This safety measure prevents the blower from being started accidentally.

See the illustration for the ways of combining the different blower accessories.

- Insert the bayonet lock **12** of the accessory firmly into the notches **8** of the motor housing or into the notches **8** of the extension tube **9**.
- Turn the bayonet lock a quarter turn clockwise.

Mounting the Dust Collection Tube

When blowing out bore holes, the drilling debris is blown in the direction of the operator. For this reason, it is recommended that you mount the dust collection tube **11** over the bore hole nozzle **10**.

- Place the notches **13** of the dust collection tube **11** over the outer bayonet lock **12** of the bore hole nozzle **10**.
- Turn the dust collection tube **11** a quarter turn clockwise.

Operation

► **Remove the battery before cleaning or performing maintenance on the blower, making tool adjustments, changing accessories or storing the blower.** This safety measure prevents the blower from being started accidentally.

Starting Operation

Switching On and Off

To save energy, only switch the power tool on when using it.

- To **switch on** the power tool, press the On/Off switch **1** to position **I** or **II**.
Position **I**: Blowing together light materials.
Position **II**: Blowing together heavy materials.
- To **switch off**, push the On/Off switch **1** to the stop in position **“0”**.

Working Advice

Never blow dirt in the direction of bystanders.

Always hold the power tool approx. 3 cm above ground when working.

Do not blow hot, flammable or explosive material.

During “blowing” operation, take care that no debris/impurities can be drawn into the air intake **4**.

Maintenance and Service

Maintenance and Cleaning

► **Remove the battery before cleaning or performing maintenance on the blower, making tool adjustments, changing accessories or storing the blower.** This safety measure prevents the blower from being started accidentally.

8 | English

- **For safe and proper working, always keep the machine and ventilation slots clean.**

After-sales Service and Application Service

Our after-sales service responds to your questions concerning maintenance and repair of your product as well as spare parts. Exploded views and information on spare parts can also be found under:

www.bosch-pt.com

Bosch's application service team will gladly answer questions concerning our products and their accessories.

In all correspondence and spare parts orders, please always include the 10-digit article number given on the nameplate of the product.

People's Republic of China

China Mainland

Bosch Power Tools (China) Co., Ltd.

567, Bin Kang Road

Bin Jiang District 310052

Hangzhou, P. R. China

Service Hotline: 4008268484

Fax: (0571) 87774502

E-Mail: contact.ptcn@cn.bosch.com

www.bosch-pt.com.cn

HK and Macau Special Administrative Regions

Robert Bosch Hong Kong Co. Ltd.

21st Floor, 625 King's Road

North Point, Hong Kong

Customer Service Hotline: +852 2101 0235

Fax: +852 2590 9762

E-Mail: info@hk.bosch.com

www.bosch-pt.com.hk

Indonesia

PT Robert Bosch

Palma Tower 10th Floor

Jl. RA Kartini II-S Kaveling 6 Sek II

Pondok Pinang, Kebayoran Lama

Jakarta Selatan 12310

Indonesia

Tel.: (021) 3005 5800

Fax: (021) 3005 5801

E-Mail: boschpowertools@id.bosch.com

www.bosch-pt.co.id

Philippines

Robert Bosch, Inc.

28th Floor Fort Legend Towers,

3rd Avenue corner 31st Street,

Fort Bonifacio Global City,

1634 Taguig City, Philippines

Tel.: (02) 8703871

Fax: (02) 8703870

matheus.contiero@ph.bosch.com

www.bosch-pt.com.ph

Bosch Service Center:
9725-27 Kamagong Street

San Antonio Village

Makati City, Philippines

Tel.: (02) 8999091

Fax: (02) 8976432

E-Mail: rosalie.dagdagan@ph.bosch.com

Malaysia

Robert Bosch Sdn. Bhd.

No. 8A, Jalan 13/6

G.P.O. Box 10818

46200 Petaling Jaya

Selangor, Malaysia

Tel.: (03) 79663194

Fax: (03) 79583838

E-Mail: cheehoe.on@my.bosch.com

Toll-Free: 1800 880188

www.bosch-pt.com.my

Thailand

Robert Bosch Ltd.

Liberty Square Building

No. 287, 11 Floor

Silom Road, Bangrak

Bangkok 10500

Tel.: 02 6393111

Fax: 02 2384783

Robert Bosch Ltd., P. O. Box 2054

Bangkok 10501, Thailand

www.bosch.co.th

Bosch Service – Training Centre

La Salle Tower Ground Floor Unit No.2

10/11 La Salle Moo 16

Srinakharin Road

Bangkaew, Bang Plee

Samutprakarn 10540

Thailand

Tel.: 02 7587555

Fax: 02 7587525

Singapore

Powerwell Service Centre Ptd Ltd

65 Ubi Crescent, #06-03 Hola Centre

Singapore 408559

Tel.: 6746 9770/71

Fax: 6746 9760

E-Mail: powerwellsc@gmail.com

Toll-Free: 1800 3338333

www.bosch-pt.com.sg

Vietnam

Robert Bosch Vietnam Co. Ltd
13th Floor , 194 Golden Building
473 Dien Bien Phu Street
Ward 25, Binh Thanh District
84 Ho Chi Minh City
Vietnam
Tel.: (08) 6258 3690
Fax: (08) 6258 3692
Hotline: (08) 6250 8555
E-Mail: tuvankhachhang-pt@vn.bosch.com
www.bosch-pt.com.vn
www.baohanhbosch-pt.com.vn

Australia, New Zealand and Pacific Islands

Robert Bosch Australia Pty. Ltd.
Power Tools
Locked Bag 66
Clayton South VIC 3169
Customer Contact Center
Inside Australia:
Phone: (01300) 307044
Fax: (01300) 307045
Inside New Zealand:
Phone: (0800) 543353
Fax: (0800) 428570
Outside AU and NZ:
Phone: +61 3 95415555
www.bosch-pt.com.au
www.bosch-pt.co.nz

Egypt

Unimar
20 Markaz kadmat
El tagmoa EL Aoul – New Cairo
Tel: +2 02 224 76091 - 95 / + 2 02 224 78072 - 73
Fax: +2 02 224 78075
E-Mail: adelzaki@unimaregypt.com

Ethiopia

Forever plc
Kebele 2,754, BP 4806,
Addis Ababa , Ethiopia
Tel: +251 111 560 600, +251 111 560 600
E-Mail: foreverplc@ethionet.et

Nigeria

C. Woermann Ltd.
P.O. Box 318
6, Badejo Kalesanwo Street
Matori Industrial Estate
Lagos, Nigeria
Tel: +234 17 736 498, +234 17 730 904
E-Mail: d.kornemann@woermann-nigeria.com

Republic of South Africa

Customer service
Hotline: (011) 6519600

Gauteng – BSC Service Centre

35 Roper Street, New Centre
Johannesburg
Tel.: (011) 4939375
Fax: (011) 4930126
E-Mail: bsctools@icon.co.za

KZN – BSC Service Centre

Unit E, Almar Centre
143 Crompton Street
Pinetown
Tel.: (031) 7012120
Fax: (031) 7012446
E-Mail: bsc.dur@za.bosch.com

Western Cape – BSC Service Centre

Democracy Way, Prosperity Park
Milnerton
Tel.: (021) 5512577
Fax: (021) 5513223
E-Mail: bsc@zsd.co.za

Bosch Headquarters

Midrand, Gauteng
Tel.: (011) 6519600
Fax: (011) 6519880
E-Mail: rbsa-hq.pts@za.bosch.com

Transport

The contained lithium-ion batteries are subject to the Dangerous Goods Legislation requirements. The user can transport the batteries by road without further requirements.

When being transported by third parties (e.g.: air transport or forwarding agency), special requirements on packaging and labelling must be observed. For preparation of the item being shipped, consulting an expert for hazardous material is required.

Dispatch batteries only when the housing is undamaged. Tape or mask off open contacts and pack up the battery in such a manner that it cannot move around in the packaging. Please also observe possibly more detailed national regulations.

Disposal

The machine, rechargeable batteries, accessories and packaging should be sorted for environmental-friendly recycling.

Do not dispose of power tools and batteries/rechargeable batteries into household waste!

Battery packs/batteries:**Li-ion:**

Please observe the instructions in section "Transport", page 9.

Subject to change without notice.

Français

Avertissements de sécurité

Avertissements de sécurité généraux pour l'outil

⚠ AVERTISSEMENT Lire tous les avertissements de sécurité et toutes les instructions. Ne pas suivre les avertissements et instructions peut donner lieu à un choc électrique, un incendie et/ou une blessure sérieuse.

Conserver tous les avertissements et toutes les instructions pour pouvoir s'y reporter ultérieurement.

Le terme « outil » dans les avertissements fait référence à votre outil électrique alimenté par le secteur (avec cordon d'alimentation) ou votre outil fonctionnant sur batterie (sans cordon d'alimentation).

Sécurité de la zone de travail

- ▶ **Conserver la zone de travail propre et bien éclairée.** Les zones en désordre ou sombres sont propices aux accidents.
- ▶ **Ne pas faire fonctionner les outils électriques en atmosphère explosive, par exemple en présence de liquides inflammables, de gaz ou de poussières.** Les outils électriques produisent des étincelles qui peuvent enflammer les poussières ou les fumées.
- ▶ **Maintenir les enfants et les personnes présentes à l'écart pendant l'utilisation de l'outil.** Les distractions peuvent vous faire perdre le contrôle de l'outil.

Sécurité électrique

- ▶ **Il faut que les fiches de l'outil électrique soient adaptées au socle. Ne jamais modifier la fiche de quelque façon que ce soit. Ne pas utiliser d'adaptateurs avec des outils à branchement de terre.** Des fiches non modifiées et des socles adaptés réduiront le risque de choc électrique.
- ▶ **Éviter tout contact du corps avec des surfaces reliées à la terre telles que les tuyaux, les radiateurs, les cuisinières et les réfrigérateurs.** Il existe un risque accru de choc électrique si votre corps est relié à la terre.
- ▶ **Ne pas exposer les outils à la pluie ou à des conditions humides.** La pénétration d'eau à l'intérieur d'un outil augmentera le risque de choc électrique.
- ▶ **Ne pas maltraiter le cordon. Ne jamais utiliser le cordon pour porter, tirer ou débrancher l'outil. Maintenir le cordon à l'écart de la chaleur, du lubrifiant, des arêtes ou des parties en mouvement.** Les cordons endommagés ou emmêlés augmentent le risque de choc électrique.
- ▶ **Lorsqu'on utilise un outil à l'extérieur, utiliser un prolongateur adapté à l'utilisation extérieure.** L'utilisation d'un cordon adapté à l'utilisation extérieure réduit le risque de choc électrique.
- ▶ **Si l'usage d'un outil dans un emplacement humide est inévitable, utiliser une alimentation protégée par un**

dispositif à courant différentiel résiduel (RCD). L'usage d'un RCD réduit le risque de choc électrique.

Sécurité des personnes

- ▶ **Rester vigilant, regarder ce que vous êtes en train de faire et faire preuve de bon sens dans l'utilisation de l'outil. Ne pas utiliser un outil lorsque vous êtes fatigué ou sous l'emprise de drogues, d'alcool ou de médicaments.** Un moment d'inattention en cours d'utilisation d'un outil peut entraîner des blessures graves des personnes.
- ▶ **Utiliser un équipement de sécurité. Toujours porter une protection pour les yeux.** Les équipements de sécurité tels que les masques contre les poussières, les chaussures de sécurité antidérapantes, les casques ou les protections acoustiques utilisés pour les conditions appropriées réduiront les blessures des personnes.
- ▶ **Éviter tout démarrage intempestif. S'assurer que l'interrupteur est en position arrêt avant de brancher l'outil au secteur et/ou au bloc de batteries, de le ramasser ou de le porter.** Porter les outils en ayant le doigt sur l'interrupteur ou brancher des outils dont l'interrupteur est en position marche est source d'accidents.
- ▶ **Retirer toute clé de réglage avant de mettre l'outil en marche.** Une clé laissée fixée sur une partie tournante de l'outil peut donner lieu à des blessures de personnes.
- ▶ **Ne pas se précipiter. Garder une position et un équilibre adaptés à tout moment.** Cela permet un meilleur contrôle de l'outil dans des situations inattendues.
- ▶ **S'habiller de manière adaptée. Ne pas porter de vêtements amples ou de bijoux. Garder les cheveux, les vêtements et les gants à distance des parties en mouvement.** Des vêtements amples, des bijoux ou les cheveux longs peuvent être pris dans des parties en mouvement.
- ▶ **Si des dispositifs sont fournis pour le raccordement d'équipements pour l'extraction et la récupération des poussières, s'assurer qu'ils sont connectés et correctement utilisés.** Utiliser des collecteurs de poussière peut réduire les risques dus aux poussières.

Utilisation et entretien de l'outil

- ▶ **Ne pas forcer l'outil. Utiliser l'outil adapté à votre application.** L'outil adapté réalisera mieux le travail et de manière plus sûre au régime pour lequel il a été construit.
- ▶ **Ne pas utiliser l'outil si l'interrupteur ne permet pas de passer de l'état de marche à arrêt et vice versa.** Tout outil qui ne peut pas être commandé par l'interrupteur est dangereux et il faut le faire réparer.
- ▶ **Débrancher la fiche de la source d'alimentation en courant et/ou le bloc de batteries de l'outil avant tout réglage, changement d'accessoires ou avant de ranger l'outil.** De telles mesures de sécurité préventives réduisent le risque de démarrage accidentel de l'outil.
- ▶ **Conserver les outils à l'arrêt hors de la portée des enfants et ne pas permettre à des personnes ne connaissant pas l'outil ou les présentes instructions de le faire fonctionner.** Les outils sont dangereux entre les mains d'utilisateurs novices.

- ▶ **Observer la maintenance de l'outil. Vérifier qu'il n'y a pas de mauvais alignement ou de blocage des parties mobiles, des pièces cassées ou toute autre condition pouvant affecter le fonctionnement de l'outil. En cas de dommages, faire réparer l'outil avant de l'utiliser.** De nombreux accidents sont dus à des outils mal entretenus.
- ▶ **Garder affûtés et propres les outils permettant de couper.** Des outils destinés à couper correctement entretenus avec des pièces coupantes tranchantes sont moins susceptibles de bloquer et sont plus faciles à contrôler.
- ▶ **Utiliser l'outil, les accessoires et les lames etc., conformément à ces instructions, en tenant compte des conditions de travail et du travail à réaliser.** L'utilisation de l'outil pour des opérations différentes de celles prévues pourrait donner lieu à des situations dangereuses.

Utilisation des outils fonctionnant sur batteries et précautions d'emploi

- ▶ **Ne recharger qu'avec le chargeur spécifié par le fabricant.** Un chargeur qui est adapté à un type de bloc de batteries peut créer un risque de feu lorsqu'il est utilisé avec un autre type de bloc de batteries.
- ▶ **N'utiliser les outils qu'avec des blocs de batteries spécifiquement désignés.** L'utilisation de tout autre bloc de batteries peut créer un risque de blessure et de feu.
- ▶ **Lorsqu'un bloc de batteries n'est pas utilisé, le maintenir à l'écart de tout autre objet métallique, par exemple trombones, pièces de monnaie, clés, clous, vis ou autres objets de petite taille qui peuvent donner lieu à une connexion d'une borne à une autre.** Le court-circuitage des bornes d'une batterie entre elles peut causer des brûlures ou un feu.
- ▶ **Dans de mauvaises conditions, du liquide peut être éjecté de la batterie ; éviter tout contact. En cas de contact accidentel, nettoyer à l'eau. Si le liquide entre en contact avec les yeux, rechercher en plus une aide médicale.** Le liquide éjecté des batteries peut causer des irritations ou des brûlures.

Maintenance et entretien

- ▶ **Faire entretenir l'outil par un réparateur qualifié utilisant uniquement des pièces de rechange identiques.** Cela assurera que la sécurité de l'outil est maintenue.

Consignes de sécurité pour le souffleur sans fil

- ▶ **Prenez les précautions nécessaires pour que les personnes se trouvant à proximité ne risquent pas d'être blessées par les matières qui sont projetées.**
- ▶ **Pendant le fonctionnement du souffleur, ne mettez pas vos doigts devant les ouvertures. Ne faites fonctionner le souffleur que muni d'une buse.** Vous risqueriez sinon d'être blessé par les pièces en rotation du souffleur.
- ▶ **N'utilisez pas le souffleur pour souffler des matières nuisibles à la santé, comme de la poussière de hêtre ou de chêne, de la poussière de pierre ou de l'amiante.** Ces matières sont considérées comme cancérogènes.

- ▶ **N'utilisez pas le souffleur pour souffler ou déplacer des liquides.** La pénétration de liquides ou le contact avec des liquides augmente le risque de choc électrique.
- ▶ **Ne pas exposer l'outil électrique à la pluie ou à l'humidité.** La pénétration d'eau dans le moteur augmente le risque d'un choc électrique.
- ▶ **Veiller à bien aérer la zone de travail.**
- ▶ **Utiliser en plus un équipement de protection individuelle. Portez une protection pour les yeux et un masque respiratoire.** Les équipements de sécurité pour certaines conditions réduisent l'exposition des personnes aux substances dangereuses.



- ▶ **Ne pas ouvrir l'accu.** Risque de court-circuit.



Protéger l'accu de toute source de chaleur, comme p. ex. l'exposition directe au soleil, au feu, à l'eau et à l'humidité. Il y a un risque d'explosion.

- ▶ **En cas d'endommagement et d'utilisation non conforme de l'accu, des vapeurs peuvent s'échapper. Ventiler le lieu de travail et, en cas de malaises, consulter un médecin.** Les vapeurs peuvent entraîner des irritations des voies respiratoires.
- ▶ **N'utiliser l'accumulateur qu'avec votre produit Bosch.** Ceci protège l'accumulateur contre une surcharge dangereuse.
- ▶ **Les objets pointus comme un clou ou un tournevis et le fait d'exercer une force extérieure sur le boîtier risque d'endommager l'accu.** Il peut en résulter un court-circuit interne et l'accu risque de s'enflammer, de dégager des fumées, d'exploser ou de surchauffer.

Description et performances du produit



Il est impératif de lire toutes les consignes de sécurité et toutes les instructions. Le non-respect des avertissements et instructions indiqués ci-après peut conduire à une électrocution, un incendie et/ou de graves blessures.

Utilisation conforme

L'outil électroportatif est conçu pour souffler les matières non nuisibles à la santé (p. ex. sciure, copeaux de bois ou de métal, poussière de pierre, etc.) produites lors du sciage, du perçage ou du ponçage. Muni de l'accessoire approprié, il permet aussi de souffler l'intérieur de trous de perçage.

L'outil électroportatif n'est pas conçu pour souffler des matières chaudes, inflammables ou explosives.

Éléments de l'appareil

La numérotation des éléments de l'appareil se réfère à la représentation de l'outil électroportatif sur la page graphique.

12 | Français

- 1 Interrupteur Marche/Arrêt avec réglage de la position
- 2 Poignée
- 3 Accu*
- 4 Admission d'air
- 5 Carter moteur
- 6 Buse
- 7 Touche de déverrouillage de l'accumulateur
- 8 Évidement pour la fixation des accessoires
- 9 Tube rallonge
- 10 Buse pour trous de perçage
- 11 Tube collecteur de poussière
- 12 Fermeture à baïonnette
- 13 Évidement pour le tube collecteur de poussière

*Les accessoires décrits ou illustrés ne sont pas tous compris dans la fourniture. Vous trouverez les accessoires complets dans notre programme d'accessoires.

Caractéristiques techniques

Souffleur sans fil		GBL 18V-120
N° d'article		3 601 JF5 1..
Vitesse à vide	tr/min	17000
Vitesse max. du débit d'air	m/s	75
Volume d'air	m ³ /min	2,0
Poids suivant EPTA-Procédure 01:2014	kg	1,4/1,68 ¹⁾
Plage de températures autorisées		
– pendant la charge	°C	0... +45
– pendant le fonctionnement ²⁾ et pour le stockage	°C	-20... +50
Accus recommandés		GBA 18V.. GBA 18V... W
Chargeurs recommandés		AL 18.. GAL 3680
Chargeurs recommandés pour accus inductifs		GAL 18... W
Autonomie par chargement d'accu		
– Vitesse de soufflage I	min/Ah	9
– Vitesse de soufflage II	min/Ah	5

Caractéristiques techniques déterminées avec l'accu fourni avec l'appareil.

1) selon l'accumulateur utilisé

2) Performances réduites à des températures < à 0 °C

Montage

Chargement de l'accu

► **N'utilisez que les chargeurs indiqués sur la page des accessoires.** Seuls ces chargeurs sont adaptés à l'accu à ions lithium utilisé dans votre outil électroportatif.

Note : L'accu est fourni en état de charge faible. Afin de garantir la puissance complète de l'accu, chargez complètement l'accu dans le chargeur avant la première mise en service.

Pour être rechargé, l'accu doit être retiré de l'outil électroportatif.

La batterie Lithium-ion peut être rechargée à tout moment, sans que sa durée de vie n'en soit réduite. Le fait d'interrompre le processus de charge n'endommage pas la batterie. Grâce à la Protection Electronique des Cellules « Electronic Cell Protection (ECP) », l'accumulateur Lithium-ion est protégé contre une décharge profonde. Lorsque l'accumulateur est déchargé, l'outil électroportatif s'arrête grâce à un dispositif d'arrêt de protection.

► **Après la mise hors fonctionnement automatique de l'outil électroportatif, n'appuyez plus sur l'interrupteur Marche/Arrêt.** Ceci pourrait endommager l'accu.

L'accu est équipé d'une surveillance NTC de température qui ne permet de charger l'accu que sur une plage de température entre 0 °C et 45 °C. La durée de vie de l'accu s'en trouve ainsi augmentée.

Si l'autonomie de l'accu diminue considérablement après les recharges effectuées, cela signifie que l'accu est usagé et qu'il doit être remplacé.

Respectez les indications concernant l'élimination.

Retirer l'accu (voir figures A1 – A2)

L'accu **3** dispose de 2 positions de verrouillage qui doivent éviter que l'accu puisse sortir si l'on appuie sur la touche de déverrouillage de l'accu **7** par mégarde. Tant que l'accu reste en place dans l'outil électroportatif, un ressort le maintient en position.

- Pour sortir l'accu **3**, appuyez sur la touche de déverrouillage **7** et sortez l'accu à l'arrière de l'outil électroportatif.
- Ne pas forcer.**

Montage des accessoires du souffleur (voir figures B1 – B3)

► **Retirer l'accu avant de nettoyer le souffleur, d'effectuer des réglages, de changer d'accessoire ou de ranger le souffleur.** Cette mesure de précaution permet de prévenir toute mise en route intempestive du souffleur.

La figure montre les différentes possibilités de combinaison des pièces d'accessoires.

- Insérez la fermeture à baïonnette **12** de l'accessoire dans les évidements **8** du carter ou dans les évidements **8** du tube rallonge **9**.
- Faites pivoter la fermeture baïonnette d'un quart de tour dans le sens des aiguilles d'une montre.

Montage du tube collecteur de poussière

Lors du soufflage de trous de perçage, la poussière est projetée en direction de l'utilisateur de l'outil électroportatif. Il est pour cette raison recommandé de monter le tube collecteur de poussière **11** au-dessus de la buse pour trous de perçage **10**.

- Faites coïncider les évidements **13** du tube collecteur de poussière **11** et les fermetures à baïonnette extérieures **12** de la buse pour trous de perçage **10**.
- Enfoncez le tube collecteur de poussière **11** jusqu'en butée et faites-le pivoter d'un quart de tour dans le sens horaire.

Mise en marche

- **Retirer l'accu avant de nettoyer le souffleur, d'effectuer des réglages, de changer d'accessoire ou de ranger le souffleur.** Cette mesure de précaution permet de prévenir toute mise en route intempestive du souffleur.

Mise en service

Mise en marche/arrêt

Afin d'économiser l'énergie, ne mettez l'outil électroportatif en marche que quand vous l'utilisez.

- Pour **mettre en marche** l'outil électroportatif, actionnez l'interrupteur marche/arrêt **1** dans la position **I** ou dans la position **II**.
Position **I** : soufflage de matières légères.
Position **II** : soufflage de matières lourdes.
- Pour **arrêter**, poussez l'interrupteur Marche/Arrêt **1** jusqu'à la butée en position « **0** ».

Instructions d'utilisation

Ne jamais souffler la poussière / les matières en direction des personnes qui se trouvent à proximité.

Toujours tenir l'outil électroportatif env. 3 cm au-dessus du sol.

Ne soufflez pas sur des matériaux chauds, inflammables ou explosifs.

Veillez à ce que l'admission d'air **4** ne puisse pas aspirer d'impuretés lors du soufflement.

Entretien et Service Après-Vente

Nettoyage et entretien

- **Retirer l'accu avant de nettoyer le souffleur, d'effectuer des réglages, de changer d'accessoire ou de ranger le souffleur.** Cette mesure de précaution permet de prévenir toute mise en route intempestive du souffleur.
- **Veillez à ce que l'outil électroportatif ainsi que les ouïes de ventilation soient toujours propres afin d'obtenir un travail impeccable et sûr.**

Service Après-Vente et Assistance

Notre Service Après-Vente répond à vos questions concernant la réparation et l'entretien de votre produit et les pièces de rechange. Vous trouverez des vues éclatées ainsi que des informations concernant les pièces de rechange également sous : www.bosch-pt.com

Les conseillers techniques et assistants Bosch sont à votre disposition pour répondre à vos questions concernant nos produits et leurs accessoires.

Pour toute demande de renseignement ou commande de pièces de rechange, précisez-nous impérativement le numéro d'article à dix chiffres indiqué sur la plaque signalétique du produit.

Pour avoir des renseignements concernant la garantie, les travaux d'entretien ou de réparation ou les pièces de rechange, veuillez contacter votre détaillant spécialisé.

Morocco

Outipro
53, rue du Lieutenant Mahroud Mohamed
20300 Casablanca
Tel. : +212 (0) 522 400 409, +212 (0) 522 400 615
E-Mail: service@outipro.ma

Algeria

Siestal
Zone Industrielle lhaddaden 06000 Bejaia
Tel. : +213 (0) 982 400 991/2
Fax : +213 (0) 3 420 1569
E-Mail: sav@siestal-dz.com

Tunisia

Sotel
Z.I. St. Gobin Lotissement SMMT-Lot No 25-99
2014-Megrine Riadh
Tél. : +216 71 427 496
Fax : +216 71 354 175
E-Mail: sotel2@planet.tn

Transport

Les batteries Lithium-ion sont soumises aux règlements de transport des matières dangereuses. L'utilisateur peut transporter les batteries par voie routière sans mesures supplémentaires.

Lors d'une expédition par tiers (par ex. : transport aérien ou entreprise de transport), les mesures à prendre spécifiques à l'emballage et au marquage doivent être observées. Dans un tel cas, lors de la préparation de l'envoi, il est impératif de faire appel à un expert en transport des matières dangereuses.

N'expédiez les accus que si le carter n'est pas endommagé. Recouvrez les contacts non protégés et emballez l'accu de manière à ce qu'il ne puisse pas se déplacer dans l'emballage. Veuillez également respecter les réglementations supplémentaires éventuellement en vigueur.

Élimination des déchets



Les outils électroportatifs et les accus, ainsi que leurs accessoires et emballages, doivent pouvoir suivre chacun une voie de recyclage appropriée.

Ne jetez pas les outils électroportatifs et les accus/piles avec les ordures ménagères !

Batteries/piles :



Lithium ion :

Respectez les indications données dans le chapitre « Transport », page 13.

Sous réserve de modifications.



Português

Indicações de segurança

Indicações gerais de advertência para ferramentas elétricas

⚠ ATENÇÃO Devem ser lidas todas as indicações de advertência e todas as instruções.

O desrespeito das advertências e instruções apresentadas abaixo pode causar choque elétrico, incêndio e/ou graves lesões.

Guarde bem todas as advertências e instruções para futura referência.

O termo “Ferramenta elétrica” utilizado a seguir nas indicações de advertência, refere-se a ferramentas elétricas operadas com corrente de rede (com cabo de rede) e a ferramentas elétricas operadas com acumulador (sem cabo de rede).

Segurança da área de trabalho

- ▶ **Mantenha a sua área de trabalho sempre limpa e bem iluminada.** Desordem ou áreas de trabalho insuficientemente iluminadas podem levar a acidentes.
- ▶ **Não trabalhar com a ferramenta elétrica em áreas com risco de explosão, nas quais se encontrem líquidos, gases ou pós inflamáveis.** Ferramentas elétricas produzem faíscas, que podem inflamar pós ou vapores.
- ▶ **Manter crianças e outras pessoas afastadas da ferramenta elétrica durante a utilização.** No caso de distração é possível que perca o controlo sobre o aparelho.

Segurança elétrica

- ▶ **A ficha de conexão da ferramenta elétrica deve caber na tomada. A ficha não deve ser modificada de maneira alguma. Não utilizar uma ficha de adaptação junto com ferramentas elétricas protegidas por ligação à terra.** Fichas não modificadas e tomadas apropriadas reduzem o risco de um choque elétrico.
- ▶ **Evitar que o corpo possa entrar em contacto com superfícies ligadas à terra, como tubos, aquecimentos, fogões e frigoríficos.** Há um risco elevado devido a choque elétrico, se o corpo estiver ligado à terra.
- ▶ **Manter o aparelho afastado de chuva ou humidade.** A infiltração de água numa ferramenta elétrica aumenta o risco de choque elétrico.
- ▶ **Não deverá utilizar o cabo para outras finalidades. Jamais utilizar o cabo para transportar a ferramenta elétrica, para pendurá-la, nem para puxar a ficha da tomada. Manter o cabo afastado de calor, óleo, cantos afiados ou partes do aparelho em movimento.** Cabos danificados ou emaranhados aumentam o risco de um choque elétrico.
- ▶ **Se trabalhar com uma ferramenta elétrica ao ar livre, só deverá utilizar cabos de extensão apropriados para áreas exteriores.** A utilização de um cabo de extensão apropriado para áreas exteriores reduz o risco de um choque elétrico.

- ▶ **Se não for possível evitar o funcionamento da ferramenta elétrica em áreas húmidas, deverá ser utilizado um disjuntor de corrente de avaria.** A utilização de um disjuntor de corrente de avaria reduz o risco de um choque elétrico.

Segurança de pessoas

- ▶ **Esteja atento, observe o que está a fazer e tenha prudência ao trabalhar com a ferramenta elétrica. Não utilizar uma ferramenta elétrica quando estiver fatigado ou sob a influência de drogas, álcool ou medicamentos.** Um momento de descuido ao utilizar a ferramenta elétrica, pode levar a lesões graves.
- ▶ **Utilizar equipamento de proteção pessoal e sempre óculos de proteção.** A utilização de equipamento de proteção pessoal, como máscara de proteção contra pó, sapatos de segurança antiderrapantes, capacete de segurança ou proteção auricular, de acordo com o tipo e aplicação da ferramenta elétrica, reduz o risco de lesões.
- ▶ **Evitar uma colocação em funcionamento involuntária. Assegure-se de que a ferramenta elétrica esteja desligada, antes de conectá-la à alimentação de rede e/ou ao acumulador, antes de levantá-la ou de transportá-la.** Se tiver o dedo no interruptor ao transportar a ferramenta elétrica ou se o aparelho for conectado à alimentação de rede enquanto estiver ligado, poderão ocorrer acidentes.
- ▶ **Remover ferramentas de ajuste ou chaves de boca antes de ligar a ferramenta elétrica.** Uma ferramenta ou chave que se encontre numa parte do aparelho em movimento pode levar a lesões.
- ▶ **Evite uma posição anormal. Mantenha uma posição firme e mantenha sempre o equilíbrio.** Desta forma é mais fácil controlar a ferramenta elétrica em situações inesperadas.
- ▶ **Usar roupa apropriada. Não usar roupa larga nem joias. Mantenha os cabelos, roupas e luvas afastadas de partes em movimento.** Roupas frouxas, cabelos longos ou joias podem ser agarrados por peças em movimento.
- ▶ **Se for possível montar dispositivos de aspiração ou de recolha, assegure-se de que estejam conectados e utilizados corretamente.** A utilização de uma aspiração de pó pode reduzir o perigo devido ao pó.

Utilização e manuseio cuidadosos de ferramentas elétricas

- ▶ **Não sobrecarregue o aparelho. Utilize a ferramenta elétrica apropriada para o seu trabalho.** É melhor e mais seguro trabalhar com a ferramenta elétrica apropriada na área de potência indicada.
- ▶ **Não utilizar uma ferramenta elétrica com um interruptor defeituoso.** Uma ferramenta elétrica que não pode mais ser ligada nem desligada, é perigosa e deve ser reparada.
- ▶ **Puxar a ficha da tomada e/ou remover o acumulador antes de executar ajustes no aparelho, de substituir acessórios ou de guardar o aparelho.** Esta medida de segurança evita o arranque involuntário da ferramenta elétrica.

- ▶ **Guardar ferramentas elétricas não utilizadas fora do alcance de crianças. Não permita que pessoas que não estejam familiarizadas com o aparelho ou que não tenham lido estas instruções, utilizem o aparelho.** Ferramentas elétricas são perigosas se forem utilizadas por pessoas inesperientes.
- ▶ **Tratar a ferramenta elétrica com cuidado. Controlar se as partes móveis do aparelho funcionam perfeitamente e não emperram, e se há peças quebradas ou danificadas que possam prejudicar o funcionamento da ferramenta elétrica. Permitir que peças danificadas sejam reparadas antes da utilização.** Muitos acidentes têm como causa, a manutenção insuficiente de ferramentas elétricas.
- ▶ **Manter as ferramentas de corte afiadas e limpas.** Ferramentas de corte cuidadosamente tratadas e com cantos de corte afiados emperram com menos frequência e podem ser conduzidas com maior facilidade.
- ▶ **Utilizar a ferramenta elétrica, acessórios, ferramentas de aplicação, etc. conforme estas instruções. Considerar as condições de trabalho e a tarefa a ser executada.** A utilização de ferramentas elétricas para outras tarefas a não ser as aplicações previstas, pode levar a situações perigosas.

Manuseio e utilização cuidadosos de ferramentas com acumuladores

- ▶ **Só carregar acumuladores em carregadores recomendados pelo fabricante.** Há perigo de incêndio se um carregador apropriado para um certo tipo de acumuladores for utilizado para carregar acumuladores de outros tipos.
- ▶ **Só utilizar ferramentas elétricas com os acumuladores apropriados.** A utilização de outros acumuladores pode levar a lesões e perigo de incêndio.
- ▶ **Manter o acumulador que não está sendo utilizado afastado de cliques, moedas, chaves, parafusos ou outros pequenos objetos metálicos que possam causar um curto-circuito dos contactos.** Um curto-circuito entre os contactos do acumulador pode ter como consequência queimaduras ou fogo.
- ▶ **No caso de aplicação incorreta pode vazar líquido do acumulador. Evitar o contacto. No caso de um contacto accidental, deverá enxaguar com água. Se o líquido entrar em contacto com os olhos, também deverá consultar um médico.** Líquido que escapa do acumulador pode levar a irritações da pele ou a queimaduras.

Serviço

- ▶ **Só permita que o seu aparelho seja reparado por pessoal especializado e qualificado e só com peças de reposição originais.** Desta forma é assegurado o funcionamento seguro do aparelho.


Instruções de segurança para sopradores sem fio

- ▶ **Certifique-se de que as pessoas nas proximidades não podem ser feridas pela projeção de corpos estranhos.**
- ▶ **Mantenha os dedos afastados das aberturas da ferramenta elétrica durante o funcionamento da mesma.**

Utilize o soprador apenas com o bico colocado. O soprador em rotação pode causar ferimentos.

- ▶ **Não junte com o sopro materiais prejudiciais à saúde, por exemplo pó de faia ou carvalho, pó de pedra, asbesto.** Estas substâncias são consideradas cancerígenas.
- ▶ **Não sobre líquidos.** A entrada de líquidos aumenta o risco de choque elétrico.
- ▶ **Manter a ferramenta elétrica afastada de chuva ou humidade.** A penetração de água no motor aumenta o risco de um choque elétrico.
- ▶ **Assegurar uma boa ventilação no local de trabalho.**
- ▶ **Adicionalmente deverá ser usado um equipamento de segurança pessoal, como por exemplo óculos protetores e máscara de proteção respiratória.** O uso de equipamentos de proteção para as respetivas condições reduz a exposição a substâncias nocivas.



- ▶ **Não abrir o acumulador.** Há risco de um curto-circuito.
-  **Proteger o acumulador contra calor, p. ex. também contra uma permanente radiação solar, fogo, água e humidade.** Há risco de explosão.

- ▶ **Em caso de danos e de utilização incorreta do acumulador, podem escapar vapores. Arejar bem o local de trabalho e consultar um médico se forem constatados quaisquer sintomas.** É possível que os vapores irrite as vias respiratórias.
- ▶ **Só utilizar o acumulador junto com o seu produto Bosch.** Só assim é que o seu acumulador estará protegido contra perigosa sobrecarga.
- ▶ **Os objetos afiados como, p. ex., pregos ou chaves de fendas, assim como o efeito de forças externas podem danificar a bateria.** Podem causar um curto-circuito interno e a bateria pode ficar queimada, deitar fumo, explodir ou sobreaquecer.

Descrição do produto e da potência



Devem ser lidas todas as indicações de advertência e todas as instruções. O desrespeito das advertências e instruções apresentadas abaixo pode causar choque elétrico, incêndio e/ou graves lesões.

Utilização conforme as disposições

A ferramenta elétrica destina-se a juntar por sopro materiais não prejudiciais à saúde (p. ex. aparas, limalhas, pó de metra, etc.) resultantes de serrar, perfurar ou lixar. Para além disso, com o acessório adequado podem ser soprados furos. A ferramenta elétrica não se destina a soprar materiais quentes, inflamáveis ou explosivos.

16 | Português

Componentes ilustrados

A numeração dos componentes ilustrados refere-se à apresentação da ferramenta elétrica na página de esquemas.

- 1 Interruptor de ligar-desligar com seletor de nível
- 2 Punho
- 3 Acumulador*
- 4 Entrada de ar
- 5 Tampa do motor
- 6 Bocal
- 7 Tecla de destravamento do acumulador
- 8 Abertura de ligação de acessório
- 9 Tubo de prolongamento
- 10 Bico para furos
- 11 Tubo de recolha do pó
- 12 Fecho de baioneta
- 13 Abertura para tubo de recolha do pó

*Acessórios apresentados ou descritos não pertencem ao volume de fornecimento padrão. Todos os acessórios encontram-se no nosso programa de acessórios.

Dados técnicos

Soprador sem fio		GBL 18V-120
N.º do produto		3 601 JF5 1..
N.º de rotações em ponto morto	min ⁻¹	17000
Velocidade da corrente de ar, máx.	m/s	75
Volume de ar	m ³ /min	2,0
Peso conforme EPTA-Procedure 01:2014	kg	1,4/1,68 ¹⁾
Temperatura ambiente admissível		
– ao carregar	°C	0... +45
– em funcionamento ²⁾ e durante o armazenamento	°C	-20... +50
Baterias recomendadas		GBA 18V.. GBA 18V... W
Carregadores recomendados		AL 18.. GAL 3680
Carregadores recomendados para baterias indutivas		GAL 18... W
Duração de funcionamento por carga do acumulador		
– Nível de sopro I	min/Ah	9
– Nível de sopro II	min/Ah	5

Dados técnicos averiguados com o acumulador fornecido.

1) dependendo do acumulador utilizado

2) potência limitada a temperaturas < 0 °C

Montagem**Carregar o acumulador**

► **Só utilizar os carregadores que constam na página de acessórios.** Só estes carregadores são apropriados para os acumuladores de iões de lítio utilizados para a sua ferramenta elétrica.

Nota: O acumulador é fornecido parcialmente carregado. Para assegurar a completa potência do acumulador, o acumulador deverá ser carregado completamente no carregador antes da primeira utilização.

A bateria tem de ser retirada da ferramenta elétrica antes de ser carregada.

O acumulador de iões de lítio pode ser carregado a qualquer altura, sem que a sua vida útil seja reduzida. Uma interrupção do processo de carga não danifica o acumulador.

O acumulador de iões de lítio é protegido contra descarga total por meio de "Electronic Cell Protection (ECP)". Quando o acumulador está completamente descarregado, a ferramenta elétrica é desligada por um disjuntor de proteção.

► **Não continuar a premir o interruptor de ligar-desligar após o desligamento automático da ferramenta elétrica.** O acumulador pode ser danificado.

O acumulador está equipado com uma monitorização de temperatura NTC, que só permite uma carga na faixa de temperatura entre 0 °C e 45 °C. Desta forma é alcançada uma alta vida útil do acumulador.

Um período de funcionamento reduzido após o carregamento, indica que o acumulador está gasto e que deve ser substituído.

Observar a indicação sobre a eliminação de forma ecológica.

Retirar o acumulador (veja figuras A1 – A2)

O acumulador **3** possui dois níveis de travamento, que devem evitar, que o acumulador possa cair, caso a tecla de destravamento do acumulador **7** seja premida por acaso. Enquanto o acumulador estiver dentro da ferramenta elétrica, ele é mantido em posição por uma mola.

- Para retirar o acumulador **3**, deverá premir as teclas de destravamento **7** e puxar o acumulador para trás, para tirar da ferramenta elétrica. **Não empregar força.**

Montar o acessório do soprador (veja figuras B1 – B3)

► **Retire o acumulador antes de efetuar trabalhos de limpeza ou manutenção, ajustes no aparelho, troca de acessórios ou de armazenar o soprador.** Esta medida preventiva evita um arranque inadvertido do soprador.

As possibilidades de combinação dos diferentes acessórios do soprador podem ser consultadas na figura.

- Insira o fecho de baioneta **12** do acessório na abertura **8** da carcaça do motor ou na abertura **8** do tubo de extensão **9**.
- Rode o fecho de baioneta um quarto de volta para a direita.

Montar o tubo de recolha do pó

Ao soprar furos, os restos de pó saem em direção ao utilizador. Por isso é aconselhável montar por cima do bico para furos **10** o tubo de recolha do pó **11**.

- Insira a abertura **13** do tubo de recolha do pó **11** por cima do fecho de baioneta exterior **12** do bico para furos **10**.
- Rode o tubo de recolha do pó **11** um quarto de volta para a direita.

Funcionamento

- ▶ **Retire o acumulador antes de efetuar trabalhos de limpeza ou manutenção, ajustes no aparelho, troca de acessórios ou de armazenar o soprador.** Esta medida preventiva evita um arranque inadvertido do soprador.

Colocação em funcionamento

Ligar e desligar

Para poupar energia só deverá ligar a ferramenta elétrica quando ela for utilizada.

- Para **ligar** a ferramenta elétrica pressione o interruptor de ligar/desligar **1** na posição I ou II.
Posição I: soprar materiais leves.
Posição II: soprar materiais pesados.
- Para **desligar** deverá premir o interruptor de ligar-desligar **1** completamente para a posição "0".

Indicações de trabalho

Nunca sopre a sujidade na direção de pessoas próximas.

Durante o trabalho, mantenha a ferramenta elétrica cerca de 3 cm acima do solo.

Não soprar materiais quentes, inflamáveis ou explosivos.

Observe que a entrada de ar **4** não possa aspirar sujidades durante o funcionamento de sopro.

Manutenção e serviço

Manutenção e limpeza

- ▶ **Retire o acumulador antes de efetuar trabalhos de limpeza ou manutenção, ajustes no aparelho, troca de acessórios ou de armazenar o soprador.** Esta medida preventiva evita um arranque inadvertido do soprador.
- ▶ **Manter a ferramenta elétrica e as aberturas de ventilação sempre limpas, para trabalhar bem e de forma segura.**

Serviço pós-venda e consultoria de aplicação

O serviço pós-venda responde às suas perguntas a respeito de serviços de reparação e de manutenção do seu produto, assim como das peças sobressalentes. Desenhos explodidos e informações sobre peças sobressalentes encontram-se em: www.bosch-pt.com

A nossa equipa de consultoria de aplicação Bosch esclarece com prazer todas as suas dúvidas a respeito da compra, aplicação e ajuste dos produtos e acessórios.

Indique para todas as questões e encomendas de peças sobressalentes a referência de 10 dígitos de acordo com a placa de características do produto.

Portugal

Robert Bosch LDA
Avenida Infante D. Henrique
Lotes 2E – 3E
1800 Lisboa
Para efetuar o seu pedido online de peças entre na página www.ferramentasbosch.com.

Tel.: 21 8500000

Fax: 21 8511096

Brasil

Robert Bosch Ltda.
Caixa postal 1195
13065-900 Campinas
Tel.: (0800) 7045446
www.bosch.com.br/contacto

Transporte

Os acumuladores de íões de lítio, contidos, estão sujeitos ao direito de materiais perigosos. Os acumuladores podem ser transportados na rua pelo utilizador, sem mais obrigações. Na expedição por terceiros (por ex.: transporte aéreo ou expedição), devem ser observadas as especiais exigências quanto à embalagem e à designação. Neste caso é necessário consultar um especialista de materiais perigosos ao preparar a peça a ser trabalhada.

Só enviar acumuladores se a carcaça não estiver danificada. Colar contactos abertos e embalar o acumulador de modo que não possa se movimentar dentro da embalagem. Por favor observe também eventuais diretivas nacionais suplementares.

Eliminação



As ferramentas elétricas, os acessórios e as embalagens devem ser enviados a uma reciclagem ecológica de matéria-prima.

Não deitar ferramentas elétricas e acumuladores/pilhas no lixo doméstico!

Acumuladores/pilhas:



Íões de lítio:

Observar as indicações no capítulo "Transporte", página 17.

Sob reserva de alterações.

中文

安全规章

电动工具通用安全警告

警告！ 阅读所有警告和所有说明！ 不遵照以下警告和说明会导致电击、着火和/或严重伤害。

保存所有警告和说明书以备查阅。

在所有下列的警告中术语 "电动工具" 指市电驱动 (有线) 电动工具或电池驱动 (无线) 电动工具。

18 | 中文

工作场地的安全

- ▶ **保持工作场地清洁和明亮。** 混乱和黑暗的场地会引发事故。
- ▶ **不要在易爆环境，如有易燃液体、气体或粉尘的环境下操作电动工具。** 电动工具产生的火花会点燃粉尘或气体。
- ▶ **让儿童和旁观者离开后操作电动工具。** 注意力不集中会使操作者失去对工具的控制。

电气安全

- ▶ **电动工具插头必须与插座相配。** 绝不能以任何方式改装插头。需接地的电动工具不能使用任何转换插头。未经改装的插头和相配的插座将减少电击危险。
- ▶ **避免人体接触接地表面，如管道、散热片和冰箱。** 如果你身体接地会增加电击危险。
- ▶ **不得将电动工具暴露在雨中或潮湿环境中。** 水进入电动工具将增加电击危险。
- ▶ **不得滥用电线。** 绝不能用电线搬运、拉动电动工具或拔出其插头。使电线远离热源、油、锐边或运动部件。受损或缠绕的软线会增加电击危险。
- ▶ **当在户外使用电动工具时，使用适合户外使用的外接软线。** 适合户外使用的软线将减少电击危险。
- ▶ **如果在潮湿环境下操作电动工具是不可避免的，应使用剩余电流动作保护器（RCD）。** 使用 RCD 可减少电击危险。

人身安全

- ▶ **保持警觉，当操作电动工具时关注所从事的操作并保持清醒。** 当你感到疲倦，或在有药物、酒精或治疗反应时，不要操作电动工具。在操作电动工具时瞬间的疏忽会导致严重人身伤害。
- ▶ **使用个人防护装置。** 始终佩戴护目镜。安全装置，诸如适当条件下使用防尘面具、防滑安全鞋、安全帽、听力防护等装置能减少人身伤害。
- ▶ **防止意外起动。** 确保开关在连接电源和 / 或电池盒、拿起或搬运工具时处于关断位置。手指放在已接通电源的开关上或开关处于接通时插入插头可能会导致危险。
- ▶ **在电动工具接通之前，拿掉所有调节钥匙或扳手。** 遗留在电动工具旋转零件上的扳手或钥匙会导致人身伤害。
- ▶ **手不要伸展得太长。** 时刻注意立足点和身体平衡。这样在意外情况下能很好地控制电动工具。
- ▶ **着装适当。** 不要穿宽松衣服或佩戴饰品。让衣服、手套和头发远离运动部件。宽松衣服、配饰或长发可能会卷入运动部件中。
- ▶ **如果提供了与排屑、集尘设备连接的装置，要确保他们连接完好且使用得当。** 使用这些装置可减少尘屑引起的危险。

电动工具使用和注意事项

- ▶ **不要滥用电动工具，根据用途使用适当的电动工具。** 选用适当设计的电动工具会使你工作更有效、更安全。
- ▶ **如果开关不能接通或关断工具电源，则不能使用该电动工具。** 不能用开关来控制的电动工具是危险的且必须进行修理。
- ▶ **在进行任何调节、更换附件或贮存电动工具之前，必须从电源上拔掉插头和 / 或使电池盒与工具脱离。** 这种防护性措施将减少工具意外起动的危险。
- ▶ **将闲置不用的电动工具贮存在儿童所及范围之外，并且不要让不熟悉电动工具或对这些说明不了解的人操作电动工具。** 电动工具在未经培训的用户手中是危险的。
- ▶ **保养电动工具。** 检查运动件是否调整到位或卡住，检查零件破损情况和影响电动工具运行的其他状况。如有损坏，电动工具应在使用前修理好。许多事故由维护不良的电动工具引发。
- ▶ **保持切削刀具锋利和清洁。** 保养良好的有锋利切削刃的刀具不易卡住而且容易控制。
- ▶ **按照使用说明书，考虑作业条件和进行的作业来使用电动工具、附件和工具的刀头等。** 将电动工具用于那些与其用途不符的操作可能会导致危险。

电池式工具使用和注意事项

- ▶ **只用制造商规定的充电器充电。** 将适用于某种电池盒的充电器用到其他电池盒时会发生着火危险。
- ▶ **只有在配有专用电池盒的情况下才使用电动工具。** 使用其他电池盒会发生损坏和着火危险。
- ▶ **当电池盒不用时，将它远离其他金属物体，例如回形针、硬币、钥匙、钉子、螺钉或其他小金属物体，以防一端与另一端连接。** 电池端子短路会引起燃烧或火灾。
- ▶ **在滥用条件下，液体会从电池中溅出，避免接触。** 如果意外碰到了，用水冲洗。如果液体碰到了眼睛，还要寻求医疗帮助。从电池中溅出的液体会发生腐蚀或燃烧。

维修

- ▶ **将你的电动工具送交专业维修人员，使用同样的备件进行修理。** 这样将确保所维修的电动工具的安全性。

电池驱动型鼓风机安全规章

- ▶ **注意，飞出的异物会伤到站在附近的人。**
- ▶ **工作过程中手指远离电动工具开口。** 在套上吹嘴后才能使用鼓风机。转动的鼓风机可能会导致人员伤害。
- ▶ **不要将榫木屑或橡木屑、矿物性粉尘、石棉之类的有害物质吹聚到一起。** 这些物质可能致癌。

- ▶ **不要将任何液体吹聚到一起。** 液体渗入会增加触电风险。
- ▶ **电动工具必须远离雨水或湿气。** 水分如果渗入马达中会提高触电的危险。
- ▶ **要确保工作场所通风良好。**
- ▶ **必须另外配戴个人的防护装备例如防护眼镜和防尘面罩。** 戴上合适的防护装备能够减少暴露在有害物质下的危险。



- ▶ **切勿打开蓄电池。** 可能造成短路。



保护蓄电池免受高温（例如长期日照），火焰，水和湿气的侵害。有爆炸的危险。

- ▶ **如果蓄电池损坏了，或者未按照规定使用蓄电池，** 蓄电池中会散发出有毒蒸汽。工作场所必须保持空气流通，如果身体有任何不适必须马上就医。蓄电池散发的蒸汽会刺激呼吸道。
- ▶ **本电池仅搭配您的博世产品使用。** 唯有如此才能避免造成电池过载危险。
- ▶ **通过尖的物件如钉子或螺丝刀通过外力作用时，可能损坏蓄电池。** 有可能出现内部短路、蓄电池燃烧、发出烟雾、爆炸或过热。

产品和功率描述



阅读所有的警告提示和指示。如未确实遵循警告提示和指示，可能导致电击，火灾并且/ 或其他的严重伤害。

按照规定使用机器

本电动工具设计用于将锯切、钻孔或打磨时掉落的非有害物质（例如锯末、金属屑、砖石粉尘等）吹聚到一起。此外利用合适的配件可以吹净钻孔。本电动工具不适合将炙热、易燃或易爆的材料吹聚到一起。

插图上的机件

机件的编号和电动工具详解图上的编号一致。

- 1 带档位选择的起停开关
- 2 手柄
- 3 蓄电池*
- 4 进气口
- 5 马达壳
- 6 喷嘴
- 7 蓄电池的解锁按键
- 8 配件连接缺口

- 9 加长管
- 10 钻孔吹嘴
- 11 集尘管
- 12 卡口式连接件
- 13 集尘管缺口

*图表或说明上提到的附件，并不包含在基本的供货范围中。本公司的附件清单中有完整的附件供应项目。

技术数据

电池型鼓风机		GBL 18V-120
物品代码		3 601 JF5 1..
无负载转速	次 / 分	17000
空气最大流速	米 / 秒	75
气流量	立方米 / 分	2,0
重量符合		
EPTA-Procedure 01:2014	公斤	1.4/1.68 ¹⁾
允许的环境温度		
- 充电时	° C	0...+45
- 运行 ²⁾ 和储藏时	° C	- 20...+50
建议使用的充电电池		GBA 18V..
		GBA 18V... W
推荐的充电器		AL 18..
		GAL 3680
推荐的感应式电池的充电器		GAL 18... W
每次电池充电的运行时间		
- 鼓风机档位 I	分 / 安时	9
- 鼓风机档位 II	分 / 安时	5

使用附带的蓄电池所测得的技术数据。

- 1) 视所使用的蓄电池而定
- 2) 温度 <0 ° C 时功率受限

安装

为蓄电池充电

- ▶ **只能选用附件页上提供的充电器。** 此充电器是电动工具上的锂离子蓄电池的专用充电器。

指示： 蓄电池在交货时只完成部分充电。首度使用电动工具之前，必须先充足蓄电池的电以确保蓄电池的功率。

电池在充电时必须从电动工具上取下。

可以随时为锂离子蓄电池充电，不会缩短电池的使用寿命。如果充电过程突然中断，也不会损坏电池。

本锂离子充电电池配备了“电池电子保护装置 (ECP)”，可以防止电池过度放电。充电电池放电时，电动工具被一个保护回路切断。

- ▶ **电动工具被关闭之后，切勿继续按住起停开关。** 可能损坏电池。

20 | 中文

蓄电池上安装了 NTC- 温度监控装置。当温度位在摄氏 0 到 45 度间时, 才能进行充电。所以能够大大地延长蓄电池的使用寿命。

充电后如果蓄电池的使用时间明显缩短, 代表蓄电池已经损坏, 必须更换新的蓄电池。

请注意有关作废处理的规定。

取出蓄电池 (参考图 A1 - A2)

本蓄电池 3 具备了双重锁定。即使不小心触动了 蓄电池的解锁按键 7, 蓄电池也不会从机器中掉落出来。固定弹簧会把蓄电池夹紧在机器中。

- 取出蓄电池 3 时得先按下解锁按键 7。接著再朝后从电动工具中拔出蓄电池。 **不可以强行拉出蓄电池。**

安装鼓风机配件 (参考插图 B1 - B3)

▶ **在保养或清洁鼓风机、调整设备、更换配件或收起鼓风机前请取出充电电池。** 这种防护性措施将减少工具意外起动的危险。

不同鼓风机配件的组合方案请参见图示。

- 将配件的卡口式连接件 12 牢牢插入电机箱缺口 8 或加长管 9 的缺口 8。
- 将卡口式连接件顺时针转动四分之一圈。

安装集尘管

吹净钻孔时, 将钻屑朝操作者方向吹。因此建议在钻孔吹嘴 10 上方安装集尘管 11。

- 将集尘管 11 的缺口 13 插到钻孔吹嘴 10 的外部卡口式连接件 12 上方。
- 将集尘管 11 顺时针转动四分之一圈。

操作

▶ **在保养或清洁鼓风机、调整设备、更换配件或收起鼓风机前请取出充电电池。** 这种防护性措施将减少工具意外起动的危险。

操作机器**开动 / 关闭**

为了节约能源, 只在当您使用机器时, 才开动电动工具。

- 要**接通**电动工具, 将起停开关 1 推到位置 I 或 II。
位置 I: 吹聚较轻的物料。
位置 II: 吹聚较重的物料。
- **关机**时将起停开关 1 推到位置 "0" 一直到底。

有关操作方式的指点

不要将灰尘吹向站在附近的人员。

操作时, 电动工具与地板之间的距离要一直保持约 3 cm。

不要吹聚任何炙热、易燃或易爆的材料。

进行吹气功能时请留心, 不可以从进气口 4 吸入不洁物体。

维修和服务**维修和清洁**

- ▶ **在保养或清洁鼓风机、调整设备、更换配件或收起鼓风机前请取出充电电池。** 这种防护性措施将减少工具意外起动的危险。
- ▶ **电动工具和通风间隙都必须保持清洁, 这样才能够提高工作品质和安全性。**

顾客服务处和顾客咨询中心

本公司顾客服务处负责回答有关本公司产品的修理, 维护和备件的问题。以下的网页中有爆炸图和备件的资料:

www.bosch-pt.com

博世顾客咨询团队非常乐意为您解答有关本公司产品及附件的问题。

如需查询和订购备件, 请务必提供产品型号铭牌上的 10 位数货号。

有关保证, 维修或更换零件事宜, 请向合格的经销商查询。

中国大陆

博世电动工具 (中国) 有限公司

中国 浙江省 杭州市

滨江区滨康路 567 号

邮政编码: 310052

免费服务热线: 4008268484

传真: (0571) 87774502

电邮: contact.ptcn@cn.bosch.com

www.bosch-pt.com.cn

罗伯特·博世有限公司

香港北角英皇道 625 号 21 楼

客户服务热线: +852 2101 0235

传真: +852 2590 9762

电邮: info@hk.bosch.com

网站: www.bosch-pt.com.hk

制造商地址:

Robert Bosch Power Tools GmbH

罗伯特·博世电动工具有限公司

70538 Stuttgart / GERMANY

70538 斯图加特 / 德国

搬运

随着机器一起供货的锂离子蓄电池必须受危险物品法规范。使用者无须另外使用保护包装便可以运送该蓄电池。

但是如果将它交由第三者运送 (例如: 空运或委托运输公司) 则使用特殊的包装和标示。此时必须向危险物品专家请教有关寄送危险物品的相关事宜。

确定蓄电池的外壳未受损后，才可以寄送蓄电池。粘好未加盖的触点并包装好蓄电池，不可以让蓄电池在包装中晃动。

必要时也得注意各国有关的法规。

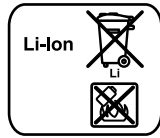
处理废弃物



必须以符合环保的方式，回收再利用损坏的电动工具，蓄电池，附件和废弃的包装材料。

不可以把电动工具和蓄电池 / 电池丢入一般的家庭垃圾中！

充电电池 / 电池：



锂离子：
请注意“搬运”段落中的指示，
页 20。

保留修改权。

中文

安全規章

電動工具通用安全警告

警告 閱讀所有警告和所有說明。不遵照以下警告和說明會導致電擊、著火和 / 或嚴重傷害。

保存所有警告和說明書以備查閱。

在所有下列的警告中術語“電動工具”指市電驅動（有線）電動工具或電池驅動（無線）電動工具。

工作場地的安全

- ▶ 保持工作場地清潔和明亮。混亂和黑暗的場地會引發事故。
- ▶ 不要在易爆環境，如有易燃液體、氣體或粉塵的環境下操作電動工具。電動工具產生的火花會點燃粉塵或氣體。
- ▶ 讓兒童和旁觀者離開後操作電動工具。注意力不集中會使你失去對工具的控制。

電氣安全

- ▶ 電動工具插頭必須與插座相配。絕不能以任何方式改裝插頭。需接地的電動工具不能使用任何轉換插頭。未經改裝的插頭和相配的插座將減少電擊危險。
- ▶ 避免人體接觸接地表面，如管道、散熱片和冰箱。如果你身體接地會增加電擊危險。
- ▶ 不得將電動工具暴露在雨中或潮濕環境中。水進入電動工具將增加電擊危險。

▶ 不得濫用電線。絕不能用電線搬運、拉動電動工具或拔出其插頭。使電線遠離熱源、油、銳邊或運動部件。受損或纏繞的軟線會增加電擊危險。

- ▶ 當在戶外使用電動工具時，使用適合戶外使用的外接軟線。適合戶外使用的軟線，將減少電擊危險。
- ▶ 如果在潮濕環境下操作電動工具是不可避免的，應使用剩餘電流動作保護器（RCD）。使用 RCD 可減少小電擊危險。

人身安全

- ▶ 保持警覺，當操作電動工具時關注所從事的操作並保持清醒。當你感到疲倦，或在有藥物、酒精或治療反應時，不要操作電動工具。在操作電動工具時瞬間的疏忽會導致嚴重人身傷害。
- ▶ 使用個人防護裝置。始終佩戴護目鏡。安全裝置，諸如適當條件下使用防塵面具、防滑安全鞋、安全帽、聽力防護等裝置能減少人身傷害。
- ▶ 防止意外起動。確保開關在連接電源和 / 或電池盒、拿起或搬運工具時處於關斷位置。手指放在已接通電源的開關上或開關處於接通時插入插頭可能會導致危險。
- ▶ 在電動工具接通之前，拿掉所有調節鑰匙或扳手。遺留在電動工具旋轉零件上的扳手或鑰匙會導致人身傷害。
- ▶ 手不要伸展得太長。時刻注意立足點和身體平衡。這樣在意外情況下能很好地控制電動工具。
- ▶ 著裝適當。不要穿寬鬆衣服或佩戴飾品。讓你的衣服、手套和頭髮遠離運動部件。寬鬆衣服、佩飾或長髮可能會捲入運動部件中。
- ▶ 如果提供了與排屑、集塵設備連接用的裝置，要確保他們連接完好且使用得當。使用這些裝置可減少塵屑引起的危險。

電動工具使用和注意事項

- ▶ 不要濫用電動工具，根據用途使用適當的電動工具。選用適當設計的電動工具會使你工作更有效、更安全。
- ▶ 如果開關不能接通或關斷工具電源，則不能使用該電動工具。不能用開關來控制的電動工具是危險的且必須進行修理。
- ▶ 在進行任何調節、更換附件或貯存電動工具之前，必須從電源上拔掉插頭和 / 或使電池盒與工具脫開。這種防護性措施將減少工具意外起動的危險。
- ▶ 將閒置不用的電動工具貯存在兒童所及範圍之外，並且不要讓不熟悉電動工具或對這些說明不瞭解的人操作電動工具。電動工具在未經培訓的用戶手中是危險的。
- ▶ 保養電動工具。檢查運動件是否調整到位或卡住，檢查零件破損情況和影響電動工具運行的其他狀況。如有損壞，電動工具應在使用前修理好。許多事故由維護不良的電動工具引發。

22 | 中文

- ▶ 保持切削刀具鋒利和清潔。保養良好的有鋒利切削刀的刀具不易卡住而且容易控制。
- ▶ 按照使用說明書，考慮作業條件和進行的作業來使用電動工具、附件和工具的刀頭等。將電動工具用於那些與其用途不符的操作可能會導致危險。

電池式工具使用和注意事項

- ▶ 只用製造商規定的充電器充電。將適用於某種電池盒的充電器用到其他電池盒時會發生著火危險。
- ▶ 只有在配有專用電池盒的情況下才使用電動工具。使用其他電池盒會發生損壞和著火危險。
- ▶ 當電池盒不用時，將它遠離其他金屬物體，例如回形針、硬幣、鑰匙、釘子、螺釘或其他小金屬物體，以防一端與另一端連接。電池端部短路會引起燃燒或火災。
- ▶ 在濫用條件下，液體會從電池中濺出；避免接觸。如果意外碰到了，用水沖洗。如果液體碰到了眼睛，還要尋求醫療幫助。從電池中濺出的液體會發生腐蝕或燃燒。

檢修

- ▶ 將你的電動工具送交專業維修人員，必須使用同樣的備件進行更換。這樣將確保所維修的電動工具的安全性。

充電電池式吸吹風機的安全注意事項

- ▶ 請注意：嚴防拋射出來的異物誤傷附近的人員。
- ▶ 本電動工具運轉期間，請讓您的手指遠離其開孔處。請先插上噴管後才啟動吸吹風機。吸吹風機若是旋轉，可能造成您受傷。
- ▶ 請勿利用本裝置噴吹收集例如樺木屑、橡木屑、礦物粉塵、石棉等危害健康的物質。這些東西已認定為致癌物。
- ▶ 請勿利用本裝置噴吹收集液體。如有液體滲入材料會增加觸電的風險。
- ▶ 電動工具必須遠離雨水或濕氣。水分如果滲入馬達中會提高觸電的危險。
- ▶ 要確保工作場所通風良好。
- ▶ 必須另外配戴個人的防護裝備例如防護眼鏡和防塵面罩。戴上合適的防護裝備能夠減少暴露在有害物質下的危險。



- ▶ 切勿打開蓄電池。可能造成短路。



保護蓄電池免受高溫（例如長期日照），火焰，水和濕氣的侵害。有爆炸的危險。

- ▶ 如果蓄電池損壞了，或者未按照規定使用蓄電池，蓄電池中會散發出有毒蒸汽。工作場所必須保持空氣流通，如果身體有任何不適必須馬上就醫。蓄電池散發的蒸汽會刺激呼吸道。
- ▶ 請務必依您的博世產品使用正確的蓄電池。如此才可依照產品提供過載保護。
- ▶ 尖銳物品（例如釘子或螺絲起子）或是外力皆有可能造成充電電池損壞，進而導致內部短路而發生電池起火、冒煙、爆炸或過熱等事故。

產品和功率描述



閱讀所有的警告提示和指示。如未確實遵循警告提示和指示，可能導致電擊、火災並且 / 或其他的嚴重傷害。

按照規定使用機器

本電動工具是設計用於噴吹收集進行鋸切、鑽孔、打磨等作業時伴隨產生的無害塵屑（例如鋸切時所產生的碎屑粉末、金屬切屑、石材粉屑等）。此外，如果再搭配使用合適的配件，即可在鑽孔時處理孔眼的塵屑。

本電動工具並不適用於噴吹收集高溫、具可燃性或爆炸性的物質。

插圖上的機件

機件的編號和電動工具詳解圖上的編號一致。

- 1 可設定檔速的電源開關
- 2 手柄
- 3 蓄電池*
- 4 進氣口
- 5 馬達殼
- 6 噴嘴
- 7 蓄電池的解鎖按鍵
- 8 用於連接配件的卡槽
- 9 延長管
- 10 鑽孔專用噴管
- 11 集塵管
- 12 插旋接頭
- 13 集塵管卡槽

*圖表或說明上提到的附件，並不包含在基本的供貨範圍中。本公司的附件清單中有完整的附件供應項目。

技術性數據

充電電池式吸吹風機		GBL 18V-120
物品代碼		3 601 JF5 1..
無負載轉速	次 / 分	17000

使用附帶的蓄電池所測得的技術數據。

- 1) 視所使用的蓄電池而定
- 2) 溫度 < 0 ° C 時，性能受限

充電電池式吸吹風機		GBL 18V-120	
最大風速	米 / 秒	75	
氣流量	米立方 / 分	2.0	
重量符合			
EPTA-Procedure 01:2014	公斤	1.4/1.68 ¹⁾	
容許環境溫度			
- 充電狀態下	° C	0...+45	
- 運轉時 ²⁾ 與存放狀態下	° C	-20...+50	
建議使用之充電電池		GBA 18V.. GBA 18V... W	
建議使用的充電器		AL 18.. GAL 3680	
建議使用的感應式電池充電器		GAL 18... W	
蓄電池充電後可工作時間			
- 吸吹風機檔速 I	分 / 安時	9	
- 吸吹風機檔速 II	分 / 安時	5	

使用附帶的蓄電池所測得的技术數據。
1) 視所使用的蓄電池而定
2) 溫度 <0 ° C 時, 性能受限

安裝

為蓄電池充電

▶ **只能選用附件頁上提供的充電器。** 此充電器是電動工具上的鋰離子蓄電池的專用充電器。

指示：蓄電池在交貨時只完成部分充電。首度使用電動工具之前，必須先充足蓄電池的電以確保蓄電池的功率。

充電電池必須先從電動工具中取出，然後才能進行充電。

可以隨時為鋰離子蓄電池充電，不會縮短電池的使用壽命。如果充電過程突然中斷，也不會損壞電池。

鋰離子充電電池配備了“電池保護裝置(ECP)”，可以防止充電電池過度放電。充電電池的電量如果用盡了，保護開關會自動關閉本電動工具。

▶ **電動工具被關閉之后，切勿繼續按住起停開關。** 可能損壞電池。

蓄電池上安裝了NTC-溫度監控裝置。當溫度位在攝氏0到45度間時，才能進行充電。所以能夠大大地延長蓄電池的使用壽命。

充電後如果蓄電池的使用時間明顯縮短，代表蓄電池已經損壞，必須更換新的蓄電池。

請注意有關作廢處理的規定。

取出蓄電池（參考插圖 A1 - A2）

本蓄電池 3 具備了雙重鎖定。即使不小心觸動了蓄電池的解鎖按鍵 7，蓄電池也不會從機器中掉落出來。固定彈簧會把蓄電池夾緊在機器中。

- 取出蓄電池 3 時得先按下解鎖按鍵 7。接著再朝後從電動工具中拔出蓄電池。**不可以強行拉出蓄電池。**

安裝吸吹風機配件（參考插圖 B1 - B3）

▶ **維護或清潔吸吹風機、進行設備設定、更換配件或儲藏吸吹風機之前，請先拔下充電電池。** 此預防措施可以防止吸吹風機意外啟動。

吸吹風機各項配件的組合方式請參考插圖。

- 將配件的插旋接頭 12 牢牢插進馬達機體的卡槽 8 內，或插進延長管 9 的卡槽 8 內。
- 將插旋接頭順時針旋轉四之一圈。

安裝集塵管

處理鑽孔塵屑時，殘留的塵屑會往操作者的方向吹出。因此，建議您，在鑽孔專用噴管 10 上加裝集塵管 11。

- 將集塵管 11 的卡槽 13 套在鑽孔專用噴管 10 的插旋接頭 12 上。
- 將集塵管 11 順時針旋轉四分之一圈。

操作

▶ **維護或清潔吸吹風機、進行設備設定、更換配件或儲藏吸吹風機之前，請先拔下充電電池。** 此預防措施可以防止吸吹風機意外啟動。

操作機器

開動 / 關閉

為了節約能源，只在當您要使用機器時，才開動電動工具。

- 若要**啟動**電動工具，請將電源開關 1 推至位置 I 或 II。
位置 I：用於噴吹收集較輕物質。
位置 II：用於噴吹收集較重物質。
- 若要**關閉**，請將電源開關 1 推至最底位置 "0"。

有關操作方式的指點

絕不可將塵屑吹向附近的人員。

作業期間，本電動工具應與地面保持 3 cm 的距離。請勿利用本裝置噴吹收集高溫、具可燃性或爆炸性的物質。

進行吹氣功能時請留心，不可以從進氣口 4 吸入不潔物體。

維修和服務

維修和清潔

▶ **維護或清潔吸吹風機、進行設備設定、更換配件或儲藏吸吹風機之前，請先拔下充電電池。** 此預防措施可以防止吸吹風機意外啟動。

24 | 한국어

- ▶ **電動工具和通風間隙都必須保持清潔，這樣才能夠提高工作品質和安全性。**

顧客服務處和顧客諮詢中心

本公司顧客服務處負責回答有關本公司產品的修理，維護和備件的問題。以下的網頁中有爆炸圖和備件的資料：

www.bosch-pt.com

博世顧客諮詢團隊非常樂意為您解答有關本公司產品及附件的問題。

當您需要諮詢或訂購備用零組件時，請務必提供本產品型號銘牌上的 10 位項目編號。

台灣

台灣羅伯特博世股份有限公司

建國北路一段 90 號 6 樓

台北市 10491

電話：(02) 2515 5388

傳真：(02) 2516 1176

www.bosch-pt.com.tw

製造商地址：

Robert Bosch Power Tools GmbH

羅伯特·博世電動工具有限公司

70538 Stuttgart / GERMANY

70538 斯圖加特 / 德國

搬運

隨著機器一起供貨的鋰離子蓄電池必須受危險物品法規範。使用者無須另外使用保護包裝便可以運送該蓄電池。

但是如果將它交由第三者運送（例如：寄空運或委託運輸公司）則要使用特殊的包裝和標示。此時必須向危險物品專家請教有關寄送危險物品的相關事宜。

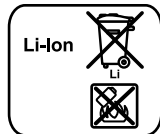
確定蓄電池的外殼未受損後，才可以寄送蓄電池。粘好未加蓋的觸點並包裝好蓄電池，不可以讓蓄電池在包裝中晃動。

必要時也得注意各國有關的法規。

處理廢棄物

必須以符合環保的方式，回收再利用損壞的電動工具，蓄電池，附件和廢棄的包裝材料。

不可以把電動工具和蓄電池 / 電池丟入一般的家庭垃圾中！

蓄電池 / 一般電池：**鋰離子：**

請注意“搬運”段落中的指示，頁 24。

保留修改權。

한국어**안전 수칙****전동공구용 일반 안전수칙**

⚠ 경고 모든 안전수칙과 지시 사항을 상세히 읽고 지켜야 합니다. 다음의 안전수칙과 지시 사항을 준수하지 않으면 화재 위험이 있으며 감전 혹은 중상을 입을 수 있습니다.

앞으로의 참고를 위해 이 안전수칙과 사용 설명서를 잘 보관하십시오.

다음에서 사용되는 “전동공구” 라는 개념은 전원에 연결하여 사용하는 전동 기기(전선이 있는)나 배터리를 사용하는 전동 기기(전선이 없는)를 의미합니다.

작업장 안전

▶ **작업장을 항상 깨끗이 하고 조명을 밝게 하십시오.**

작업장 환경이 어수선하거나 어두우면 사고를 초래할 수 있습니다.

▶ **가연성 유체, 가스 또는 분진이 있어 폭발 위험이 있는 환경에서 전동공구를 사용하지 마십시오.** 전동공구는 분진이나 증기에 점화하는 스파크를 일으킬 수 있습니다.

▶ **전동공구를 사용할 때 경계꾼이나 어린이 혹은 다른 사람이 작업장에 접근하지 못하게 하십시오.** 다른 사람이 주의를 산만하게 하면 기기에 대한 통제를 잃기 쉽습니다.

전기에 관한 안전

▶ **전동공구의 전원 플러그가 전원 콘센트에 잘 맞아야 합니다.** 플러그를 조금이라도 변경시켜서는 안됩니다. 접지된 전동공구를 사용할 때 어댑터 플러그를 사용하지 마십시오. 변형되지 않은 플러그와 잘 맞는 콘센트를 사용하면 감전의 위험을 감소할 수 있습니다.

▶ **파이프 관, 라디에이터, 레인지, 냉장고와 같은 접지 표면에 몸이 닿지 않도록 하십시오.** 몸에 닿을 경우 감전될 위험이 높습니다.

▶ **전동공구를 비에 맞지 않게 하고 습기 있는 곳에 두지 마십시오.** 전동공구에 물이 들어가면 감전될 위험이 높습니다.

▶ **전원 코드를 잡고 전동공구를 운반하거나 걸어 놓아서는 안되며, 콘센트에서 전원 플러그를 뽑을 때 전원 코드를 잡아 당겨서는 절대로 안됩니다.** 전원 코드가 열과 오일에 접촉하는 것을 피하고, 날카로운 모서리나 기기의 가동 부위에 닿지 않도록 주의하십시오. 손상되거나 엉킨 전원 코드는 감전을 유발할 수 있습니다.

▶ **실외에서 전동공구로 작업할 때는 실외용으로 적당한 연장 전원 코드만을 사용하십시오.** 실외용 연장 전원 코드를 사용하면 감전의 위험을 줄일 수 있습니다.

- ▶ **전동공구를 습기 찬 곳에서 사용해야 할 경우에는 누전 차단기를 사용하십시오.** 누전 차단기를 사용하면 감전 위험을 줄일 수 있습니다.

사용자 안전

- ▶ **신중하게 작업하십시오.** 작업을 할 때 주의를 하며, 전동공구를 사용할 때 경솔하게 행동하지 마십시오. 피로한 상태이거나 약물 복용 및 음주한 후에는 전동공구를 사용하지 마십시오. 전동공구를 사용할 때 잠시라도 주의를 산만해지면 중상을 입을 수 있습니다.
- ▶ **작업자 안전을 위한 장치를 사용하십시오.** 항상 보호안경을 착용하십시오. 전동공구의 종류와 사용에 따라 먼지 보호 마스크, 미끄러지지 않는 안전한 신발, 안전모 또는 귀마개 등의 안전한 복장을 하면 상해의 위험을 줄일 수 있습니다.
- ▶ **실수로 기기가 작동되지 않도록 주의하십시오.** 전동공구를 전원엔 연결되거나 배터리를 끼우기 전에, 혹은 기기를 들거나 운반하기 전에, 전원 스위치가 꺼져 있는지 다시 확인하십시오. 전동공구를 운반할 때 전원 스위치에 손가락을 대거나 전원 스위치가 켜진 상태에서 전원을 연결하면 사고 위험이 높습니다.
- ▶ **전동공구를 사용하기 전에 조절하는 물이나 나사 키 등을 빼 놓으십시오.** 회전하는 부위에 있는 물이나 나사 키로 인해 상처를 입을 수 있습니다.
- ▶ **자신을 과신하지 마십시오.** 불안정한 자세를 피하고 항상 평형을 이룬 상태로 작업하십시오. 안정된 자세와 평형한 상태로 작업해야만이 의외의 상황에서 도 전동공구를 안전하게 사용할 수 있습니다.
- ▶ **알맞은 작업복을 입으십시오.** 헐렁한 복장을 하거나 장신구를 착용하지 마십시오. 머리카락 또는 장갑이 가동하는 기기 부위에 가까이 닿지 않도록 주의하십시오. 헐렁한 복장, 장신구 혹은 긴 머리는 가동 부위에 말려 사고를 초래할 수 있습니다.
- ▶ **분진 추출장치나 수거장치의 조립이 가능한 경우, 이 장치가 연결되어 있는지, 제대로 작동이 되는지 확인하십시오.** 이러한 분진 추출장치를 사용하면 분진으로 인한 사고 위험을 줄일 수 있습니다.

전동공구의 올바른 사용과 취급

- ▶ **기기를 과부하 상태에서 사용하지 마십시오.** 작업할 때 이에 적당한 전동공구를 사용하십시오. 알맞은 전동공구를 사용하면 지정된 성능 한도 내에서 더 효율적으로 안전하게 작업할 수 있습니다.
- ▶ **전원 스위치가 고장 난 전동공구를 사용하지 마십시오.** 전원 스위치가 작동되지 않는 전동공구는 위험하므로, 반드시 수리를 해야 합니다.
- ▶ **기기에 세팅을 하거나 액세서리 부품을 교환하거나 혹은 기기를 보관할 때, 항상 전원 콘센트에서 플러그를 미리 빼어 놓으십시오.** 이러한 조치는 실제로 전동공구가 작동하게 되는 것을 예방합니다.
- ▶ **사용하지 않는 전동공구는 어린이 손이 닿지 않는 곳에 보관하고, 전동공구 사용에 익숙지 않거나 이 사용 설명서를 읽지 않은 사람은 기기를 사용해서는 안**

됩니다. 경험이 없는 사람이 전동공구를 사용하면 위험합니다.

- ▶ **전동공구를 조심스럽게 관리하십시오.** 가동 부위가 하자 없이 정상적인 기능을 하는지, 걸리는 부위가 있는지, 혹은 전동공구의 기능에 중요한 부품이 손상되지 않았는지 확인하십시오. 손상된 기기의 부품은 전동공구를 다시 사용하기 전에 반드시 수리를 맡기십시오. 제대로 관리하지 않은 전동공구의 경우 많은 사고를 유발합니다.
- ▶ **절단 공구를 날카롭고 깨끗하게 관리하십시오.** 날카로운 절단면이 있고 잘 관리된 절단공구는 걸리는 경우가 드물고 조절하기도 쉽습니다.
- ▶ **전동공구, 액세서리, 장착하는 공구 등을 사용할 때, 이 지시 사항과 특별히 기종 별로 나와있는 사용 방법을 준수하십시오.** 이때 작업 조건과 실시하려는 작업 내용을 고려하십시오. 원래 사용 분야가 아닌 다른 작업에 전동공구를 사용할 경우 위험한 상황을 초래할 수 있습니다.

충전 전동공구의 올바른 사용과 취급

- ▶ **배터리를 충전할 때 제조 회사가 추천하는 충전기만을 사용하여 재충전해야 합니다.** 특정 제품의 배터리를 위하여 제조된 충전기에 적합하지 않은 다른 배터리를 충전할 경우 화재 위험이 있습니다.
- ▶ **각 전동공구용으로 나와있는 배터리만을 사용하십시오.** 다른 종류의 배터리를 사용하면 상해를 입거나 화재를 초래할 수 있습니다.
- ▶ **배터리를 사용하지 않을 때는, 각 극 사이에 브리징 상태가 생길 수 있으므로 페이퍼 클립, 동전, 열쇠, 못, 나사 등 유사한 금속성 물체와 멀리하여 보관하십시오.** 배터리 극 사이에 쇼트가 일어나 화상을 입거나 화재를 야기할 수 있습니다.
- ▶ **배터리를 잘못 사용하면 누수가 생길 수 있습니다.** 누수가 생긴 배터리에 닿지 않도록 하십시오. 피부에 접하게 되었을 경우 즉시 물로 씻으십시오. 유체가 눈에 닿았을 경우 바로 의사와 상담하십시오. 배터리에서 나오는 유체는 피부에 자극을 주거나 화상을 입힐 수 있습니다.

서비스

- ▶ **전동공구 수리는 반드시 전문 인력에게 맡기고, 수리 정비 시 보쉬 순정 부품만을 사용하십시오.** 그렇게 함으로써 기기의 안전성을 오래 유지할 수 있습니다.

충전 리튬이온 배터리식 블로어에 대한 안전상의 주의사항

- ▶ **출날리는 이물질로 인해 근처에 있는 사람이 부상당하지 않도록 유의하십시오.**
- ▶ **작동되는 도중에는 손가락을 전동공구의 입구 가까이 두지 마십시오.** 블로어는 노즐이 끼워진 상태에서만 작동하십시오. 회전하는 블로어에 의해 부상을 당할 수 있습니다.
- ▶ **너도밤나무 분진 또는 물푸레나무 분진, 암석 분진, 석면 등과 같이 건강에 유해한 물질이 함께 섞이지**

26 | 한국어

않도록 하십시오. 이러한 물질은 암을 유발할 수 있습니다.

- ▶ 액체가 함께 섞이지 않도록 하십시오. 액체가 유입될 경우 감전의 위험이 높아집니다.
- ▶ 전동공구를 비에 맞지 않게 하고 습기있는 곳에 두지 마십시오. 모터에 물이 들어가면 감전될 위험이 높습니다.
- ▶ 작업장에 환기가 잘 되도록 하십시오.
- ▶ 또한 보안경이나 먼지 보호 마스크 등의 보호 장비를 착용하십시오. 해당 사항에 맞는 보호 장비를 착용하면 위험한 물질에 접하게 되는 위험을 줄일 수 있습니다.



- ▶ 배터리를 분해하지 마십시오. 단락이 발생할 위험이 있습니다.



배터리를 태양 광선 등 고열에 장시간 노출되지 않도록 하고 불과 물, 수분이 있는 곳에 두지 마십시오. 폭발할 위험이 있습니다.

- ▶ 배터리가 손상되었거나 잘못 사용될 경우 증기가 발생할 수 있습니다. 작업장을 환기시키고, 필요한 경우 의사와 상담하십시오. 증기로 인해 호흡기가 자극될 수 있습니다.

- ▶ 배터리는 반드시 보쉬 순정제품만을 사용합니다. 그 외의 배터리 과부하의 위험을 방지할 수 있습니다.

- ▶ 못이나 스크류 드라이버 같은 뾰족한 물체 또는 외부에서 오는 충격 등으로 인해 배터리가 손상될 수 있습니다. 내부 단락이 발생하여 배터리가 타거나 연기가 발생하고, 폭발 또는 과열될 수 있습니다.

제품 및 성능 소개



모든 안전수칙과 지시 사항을 상세히 읽고 지켜야 합니다. 다음의 안전수칙과 지시 사항을 준수하지 않으면 화재 위험이 있으며 감전 혹은 중상을 입을 수 있습니다.

규정에 따른 사용

본 전동공구는 톱질 작업, 드릴 작업 및 연마 작업 시 생성되는 건강에 유해하지 않은 물질 (예 : 톱밥, 금속 칩, 석재 분진 등) 을 불어 모으기 위한 용도로 고안되었습니다. 그 외에도 적합한 액세서리를 이용하여 드릴 홀에 있는 물질을 배출할 수 있습니다.

본 전동공구는 뜨겁거나 폭발성이 있는 가연성 소재를 불어내는 데에는 적합하지 않습니다.

제품의 주요 명칭

제품의 주요 명칭에 표기되어 있는 번호는 기기 그림이 나와있는 면을 참고하십시오.

- 1 전원 스위치 (단계 선택 가능)
- 2 손잡이
- 3 배터리*
- 4 공기 흡입구
- 5 모터 하우징
- 6 노즐
- 7 배터리 해제 버튼
- 8 액세서리 연결 홈
- 9 연장관
- 10 드릴 홀 노즐
- 11 분진 수거관
- 12 베이요넷 로크
- 13 분진 수거관 홀

*도면이나 설명서에 나와있는 액세서리는 표준 공급부품에 속하지 않습니다. 전체 액세서리는 저희 액세서리 프로그램을 참고하십시오.

제품 사양

배터리 구동식 블로어	GBL 18V-120	
제품 번호	3 601 JF5 1..	
무부하 속도	rpm	17000
최대 풍속	m/s	75
공기량	m ³ /min	2.0
EPTA 공정 01:2014 에 따른 중량	kg	1.4/1.68 ¹⁾
허용되는 주변 온도		
- 충전 시	°C	0...+45
- 작동 시 ²⁾ 및 보관 시	°C	- 20...+50
권장 배터리	GBA 18V.. GBA 18V... W	
권장하는 충전기	AL 18.. GAL 3680	
무선 충전이 가능한 배터리에 권장하는 충전기	GAL 18... W	
배터리 충전 단위당 작동 시간		
- 블로어 단계 I	min/Ah	9
- 블로어 단계 II	min/Ah	5

기계 사양은 함께 공급되는 배터리를 사용한 경우입니다.

1) 사용하는 배터리에 따라 상이

2) 온도가 0 °C 보다 낮은 경우 성능 제한 있음

조립

배터리 충전하기

- ▶ 액세서리 목록에 기재되어 있는 충전기만을 사용하십시오. 이 충전기만이 귀하의 전동공구에 사용된 리튬이온 배터리에 맞게 되어 있습니다.

참고: 배터리는 일부 충전되어 공급됩니다. 배터리의 성능을 완전하게 보장하기 위해서는 처음 사용하기 전에 배터리를 완전히 충전기에 충전하십시오.

충전하려면 배터리를 전동공구에서 분리해야 합니다.

리튬이온 배터리는 항상 충전할 수 있으며, 이로 인해 수명이 단축되지 않습니다. 충전을 하다 중간에 중지해도 배터리가 손상되지 않습니다.

리튬 이온 배터리는 “전자 셀 보호 (ECP)” 기능이 있어 과도하게 방전되지 않습니다. 배터리 방전 시 전동공구가 보호 스위치에 의해 꺼집니다.

▶ **전동공구가 자동으로 작동이 중단된 경우 전원 스위치를 더 계속 누르지 마십시오.** 이로 인해 배터리가 손상될 수 있습니다.

배터리에는 NTC 온도 모니터가 장치되어 있어 섭씨 0°C에서 45°C 사이의 온도 범위에서만 충전이 가능합니다. 이로 인해 배터리의 수명이 연장됩니다.

충전 후 작동 시간이 현저하게 짧아지면 배터리의 수명이 다한 것이므로 배터리를 교환해야 합니다.

처리에 관련된 지시 사항을 준수하십시오.

배터리 탈착하기 (그림 A1 - A2 참조)

배터리 3은 배터리 해제 버튼 7이 실수로 눌러져 배터리가 빠지는 것을 방지하기 위해 잠금장치가 이종으로 되어 있습니다. 전동공구에 배터리가 끼워져 있는 동안 이는 스프링으로 제 위치에 고정됩니다.

- 배터리 3을 빼려면 해제 버튼 7을 누른 상태로 배터리를 전동공구 뒤쪽으로 잡아 당깁니다. 이때 무리하게 힘을 가하지 마십시오.

블로어 액세서리 조립하기 (그림 B1-B3 참조)

▶ **블로어의 유지보수, 세척, 장치 설정, 액세서리 교환 또는 블로어 보관 전에 배터리를 제거하십시오.** 이는 블로어가 불필요하게 작동되거나 제품이 고장나는 것을 방지합니다.

다양한 액세서리들의 조립 방법은 그림을 참조하십시오.

- 액세서리의 베이요넷 로크 12를 모터 하우징의 홈 8 또는 연장관 9의 홈 8에 끼우십시오.
- 베이요넷 로크를 시계 방향으로 1/4 바퀴 돌리십시오.

분진 수거관 조립하기

드릴 홀을 뚫어낼 때 잔여물이 조작자가 있는 방향으로 배출됩니다. 따라서 드릴 홀 노즐 10을 이용해 분진 수거관 11을 설치하는 것이 좋습니다.

- 분진 수거관 11의 홈 13을 드릴 홀 노즐 10의 바깥쪽 베이요넷 로크 12를 통해 끼우십시오.
- 분진 수거관 11을 시계 방향으로 1/4 바퀴 돌리십시오.

작동

▶ **블로어의 유지보수, 세척, 장치 설정, 액세서리 교환 또는 블로어 보관 전에 배터리를 제거하십시오.** 이는 블로어가 불필요하게 작동되거나 제품이 고장나는 것을 방지합니다.

기계 시동

스위치 켜기 / 끄기

에너지를 절약하기 위해 전동공구를 사용할 경우에만 스위치를 켜십시오.

- 전동공구의 전원을 켜려면 전원 스위치 1을 I 또는 II 위치로 누르십시오.
위치 I: 가벼운 물질 붙여내기.
위치 II: 무거운 물질 붙여내기.
- 전원을 끄려면 전원 스위치 1을 스톱 위치 “0”까지 누르십시오.

사용방법

오염 물질을 절대 근처에 있는 사람 쪽으로 붙여내지 마십시오.

작업 시 전동공구는 바닥에서 약 3 cm 정도의 간격을 유지하십시오.

뜨겁거나 가연성인 혹은 폭발성 물질을 붙여 모으지 마십시오.

송풍작업을 할 때 공기 흡입구 4에 오염 물질이 들어가지 않도록 주의하십시오.

보수 정비 및 서비스

보수 정비 및 유지

▶ **블로어의 유지보수, 세척, 장치 설정, 액세서리 교환 또는 블로어 보관 전에 배터리를 제거하십시오.** 이는 블로어가 불필요하게 작동되거나 제품이 고장나는 것을 방지합니다.

▶ **안전하고 올바른 작동을 위하여 전동공구와 전동공구의 통풍구를 항상 깨끗이 하십시오.**

보쉬 AS 및 고객 상담

보쉬는 귀하의 제품 및 수리에 관한 문의를 받고 있습니다.

AS 센터 정보 및 제품에 대한 고객 상담은 하기 고객 콜센터 및 이메일 상담을 이용해주시기 바랍니다.

고객 콜센터 : 080-955-0909

이메일 상담 :

Bosch-pt.hotline@kr.bosch.com

문의나 대체 부품 주문 시에는 반드시 제품 네임 플레이트에 있는 10 자리의 부품번호를 알려 주십시오.

Bosch Korea, RBKR
Mechanics and Electronics Ltd.
PT/SAX-ASA

298 Bojeong-dong Giheung-gu
Yongin-si, Gyeonggi-do, 446-913
Republic of Korea
080-955-0909

운반

포함되어 있는 리튬이온 배터리는 위험물 관련 규정을 따라야 합니다. 사용자가 별도의 요구사항 없이 배터리

28 | ภาษาไทย

를 직접 도로 상에서 운반할 수 있습니다.
제 3 자를 통해 운반할 경우 (항공 운송이나 운송 회사 등) 포장과 표기에 관한 특별한 요구 사항을 준수해야 합니다. 이 경우 발송 준비를 위해 위험물 전문가와 상담해야 합니다.
표면이 손상되지 않은 배터리만을 사용하십시오. 배터리의 접촉 단자면을 덮어 불인 상태로 내부에서 움직이지 않도록 배터리를 포장하십시오.
또한 이와 관련한 국내 규정을 준수하십시오.

처리



전동공구, 배터리, 액세서리 및 포장은 친환경적인 방법으로 재활용할 수 있도록 분류하십시오.

전동공구와 충전용 배터리 / 배터리를 가정용 쓰레기로 처리하지 마십시오!

충전용 배터리 / 배터리 :



Li-Ion:
"운반" 내용에 나와 있는 주의 사항을 준수하십시오 (27 페이지).

위 사항은 사전 예고 없이 변경될 수도 있습니다.

ภาษาไทย

กฎระเบียบเพื่อความปลอดภัย

คำเตือนทั่วไปเพื่อความปลอดภัยในการใช้เครื่องมือไฟฟ้า

! คำเตือน ต้องอ่านคำเตือนเพื่อความปลอดภัยและคำสั่งทั้งหมด การไม่ปฏิบัติตามคำเตือนและคำสั่งอาจเป็นสาเหตุให้ถูกไฟฟ้าดูด เกิดไฟไหม้ และ/หรือได้รับบาดเจ็บอย่างร้ายแรง

เก็บรักษาคำเตือนและคำสั่งทั้งหมดสำหรับเปิดอ่านในภายหลัง

คำว่า "เครื่องมือไฟฟ้า" ในคำเตือนหมายถึง เครื่องมือไฟฟ้าของท่านที่ทำงานด้วยพลังงานไฟฟ้าที่ต่อจากเต้าเสียบ (มีสายไฟฟ้า) และเครื่องมือไฟฟ้าที่ทำงานด้วยพลังงานไฟฟ้าจากแบตเตอรี่ (ไร้สาย)

ความปลอดภัยในสถานที่ทำงาน

- ▶ รักษาสถานที่ทำงานให้สะอาดและมีไฟส่องสว่างดี สถานที่ที่มีมืดหรือกรงรังนำมาซึ่งอุบัติเหตุ
- ▶ อย่าใช้เครื่องมือไฟฟ้าในสภาพแวดล้อมที่เสี่ยงต่อการติดระเบิดได้ เช่น ในที่มีมีของเหลว แก๊ส หรือฝุ่นที่ติดไฟได้ เมื่อใช้เครื่องมือไฟฟ้าจะเกิดประกายไฟซึ่งอาจจุดฝุ่นหรือไอให้ลุกเป็นไฟได้
- ▶ ขณะใช้เครื่องมือไฟฟ้าทำงาน ต้องกั้นเด็กและผู้ยืนดูให้ออกห่าง การหันเหความสนใจอาจทำให้ท่านขาดการควบคุมเครื่องได้

ความปลอดภัยเกี่ยวกับไฟฟ้า

- ▶ ปลั๊กของเครื่องมือไฟฟ้าต้องมีขนาดพอดีกับเต้าเสียบ อย่าตัดแปลงหรือแก้ไขตัวปลั๊กอย่างเด็ดขาด อย่าต่อปลั๊กต่อใดๆ เข้ากับเครื่องมือไฟฟ้าที่มีสายดิน ปลั๊กที่ไม่ตัดแปลงและเต้าเสียบที่เข้ากันช่วยลดความเสี่ยงจากการถูกไฟฟ้าดูด
- ▶ หลีกเลี่ยงไม่ให้ร่างกายสัมผัสกับพื้นผิวของสิ่งของที่ยึดสายดินไว้ เช่น ท่อ เครื่องทำความร้อน เตา และตู้เย็น จะเสี่ยงอันตรายจากการถูกไฟฟ้าดูดมากขึ้นหากกระแสไฟฟ้าวิ่งผ่านร่างกายของท่านลงดิน
- ▶ อย่าวางเครื่องมือไฟฟ้าตากฝนหรือทิ้งไว้ในที่ชื้นและหากน้ำเข้าในเครื่องมือไฟฟ้า จะเพิ่มความเสี่ยงจากการถูกไฟฟ้าดูด
- ▶ อย่าใช้สายไฟอย่างผิดๆ อย่าถือเครื่องมือไฟฟ้าที่สาย อย่าใช้สายแวนเครื่อง หรืออย่าดึงสายไฟฟ้าเพื่อถอดปลั๊กออกจากเต้าเสียบ กันสายไฟฟ้าออกห่างจากความร้อน น้ำมัน ขอบแหลมคม หรือส่วนของเครื่องที่กำลังเคลื่อนไหว สายไฟฟ้าที่ชำรุดหรือพันกันยุ่งเพิ่มความเสี่ยงจากการถูกไฟฟ้าดูด
- ▶ เมื่อใช้เครื่องมือไฟฟ้าทำงานกลางแจ้ง ให้ใช้สายไฟต่อที่ได้รับการรับรองให้ใช้ต่อในที่กลางแจ้งเท่านั้น การใช้สายไฟต่อที่เหมาะสมสำหรับงานกลางแจ้งช่วยลดอันตรายจากการถูกไฟฟ้าดูด
- ▶ หากไม่สามารถหลีกเลี่ยงการใช้เครื่องมือไฟฟ้าทำงานในสถานที่เปียกชื้นได้ ให้ใช้สวิทช์ตัดวงจรเมื่อเกิดการรั่วไหลของไฟฟ้าจากสายดิน การใช้สวิทช์ตัดวงจรเมื่อเกิดการรั่วไหลของไฟฟ้าจากสายดินช่วยลดความเสี่ยงต่อการถูกไฟฟ้าดูด

ความปลอดภัยของบุคคล

- ▶ ท่านต้องอยู่ในสภาพเตรียมพร้อม ระมัดระวังในสิ่งที่กำลังทำอยู่ และมีสติขณะใช้เครื่องมือไฟฟ้าทำงาน อย่าใช้เครื่องมือไฟฟ้าขณะที่ท่านกำลังเหนื่อย หรืออยู่ภายใต้การครอบงำของฤทธิ์ของยาเสพติด แอลกอฮอล์ และยา เมื่อใช้เครื่องมือไฟฟ้าทำงาน ในช่วงเวลาที่ท่านขาดความเอาใจใส่อาจทำให้บุคคลบาดเจ็บอย่างรุนแรงได้
- ▶ ใช้อุปกรณ์ปกป้องร่างกาย สวมแว่นตาป้องกันเสมอ อุปกรณ์ปกป้อง เช่น หน้ากากกันฝุ่น รองเท้ากันลื่น หมวกแข็ง หรือประคบทุกอันเสียงดัง ที่เลือกใช้ตามความเหมาะสมกับสภาพการทำงาน สามารถลดอันตรายต่อบุคคลได้
- ▶ ป้องกันการติดเครื่องโดยไม่ตั้งใจ ต้องดูให้แน่ใจว่าสวิทช์อยู่ในตำแหน่งปิดก่อนเสียบปลั๊กไฟเข้าไปในเต้าเสียบ และ/หรือใส่แท่งแบตเตอรี่ ยุกขึ้นหรือถือเครื่องมือ การถือเครื่องโดยใช้นิ้วหัวที่สวิทช์ หรือเสียบปลั๊กไฟขณะสวิทช์เปิดอยู่ อาจนำไปสู่อุบัติเหตุที่ร้ายแรงได้
- ▶ เอาเครื่องมือปรับแต่งหรือประแจปากตายออกจากเครื่องมือไฟฟ้าก่อนเปิดสวิทช์ เครื่องมือหรือประแจปากตายที่วางอยู่กับส่วนของเครื่องที่กำลังหมุนจะทำให้บุคคลบาดเจ็บได้
- ▶ หลีกเลี่ยงการดิ่งท่าที่ผิดปกติ ตั้งที่ยืนที่มั่นคงและวางน้ำหนักให้สมดุลตลอดเวลา ในลักษณะนี้ท่าน

สามารถควบคุมเครื่องมือไฟฟ้าในสถานการณ์ที่ไม่คาดคิดได้ดีกว่า

- ▶ ใส่เสื้อผ้าที่เหมาะสม อย่าใส่เสื้อผ้าหลวมหรือสวมเครื่องประดับ เอาหมวก เสื้อผ้า และถุงมือออกจากส่วนของเครื่องที่กำลังหมุน เสื้อผ้าหลวม เครื่องประดับ และผมยาวอาจเข้าไปติดในส่วนของเครื่องที่กำลังหมุนได้
- ▶ หากต้องต่อเครื่องมือไฟฟ้าเข้ากับเครื่องดูดฝุ่นหรือเครื่องเก็บผง ดูให้แน่ใจว่าการเชื่อมต่อและการใช้งานเป็นไปอย่างถูกต้อง การใช้อุปกรณ์ดูดฝุ่นช่วยลดอันตรายที่เกิดจากฝุ่นได้

การใช้และการดูแลรักษาเครื่องมือไฟฟ้า

- ▶ อย่าใช้เครื่องมือไฟฟ้าอย่างหักโหม ใช้เครื่องมือไฟฟ้าที่ถูกต้องตรงตามลักษณะงาน เครื่องมือไฟฟ้าที่ถูกต้องจะทำงานได้ดีกว่าและปลอดภัยกว่าในระดับสมรรถภาพที่ออกแบบไว้
- ▶ อย่าใช้เครื่องมือไฟฟ้าที่สวิตช์เปิดปิดเสีย เครื่องมือไฟฟ้าที่ไม่สามารถควบคุมการเปิดปิดด้วยสวิตช์ได้ เป็นเครื่องมือไฟฟ้าที่ไม่ปลอดภัยและต้องส่งซ่อมแซม
- ▶ ก่อนปรับแต่งเครื่อง เปลี่ยนอุปกรณ์ประกอบ หรือเก็บเครื่องเข้าที่ ต้องถอดปลั๊กไฟออกจากเต้าเสียบและ/หรือถอดแท่งแบตเตอรี่ออกจากเครื่องมือไฟฟ้า มาตรการป้องกันเพื่อความปลอดภัยนี้ช่วยลดความเสี่ยงจากการติดเครื่องโดยไม่ได้ตั้งใจ
- ▶ เมื่อเลิกใช้งานเครื่องมือไฟฟ้า ให้เก็บเครื่องไว้ในที่ที่เด็กหยิบไม่ถึง และไมอนุญาตให้บุคคลที่ไม่คุ้นเคยกับเครื่องหรือบุคคลที่ไม่ได้อ่านคำแนะนำนี้ใช้เครื่องมือไฟฟ้าเป็นของอันตรายหากตกอยู่ในมือของผู้ใช้ที่ไม่ได้รับการฝึกฝน
- ▶ เอาใจใส่ดูแลรักษาเครื่อง ตรวจสอบหาส่วนที่เคลื่อนไหวยืดของเครื่องว่าวางอยู่ตรงแนวหรือติดขัดหรือไม่ ตรวจสอบการแตกหักของชิ้นส่วนและสภาพอื่นใดที่อาจมีผลต่อการทำงานของเครื่องมือไฟฟ้า หากชำรุดต้องส่งเครื่องมือไฟฟ้าซ่อมแซมก่อนใช้งาน อุบัติเหตุหลายอย่างเกิดขึ้นเนื่องจากดูแลรักษาเครื่องไม่ดีพอ
- ▶ รักษาเครื่องมือตัดให้คมและสะอาด หากบำรุงรักษาเครื่องมือที่มีขอบตัดแหลมคมอย่างถูกต้อง จะสามารถตัดได้ลื่นไม่ติดขัดและควบคุมได้ง่ายกว่า
- ▶ ใช้เครื่องมือไฟฟ้า อุปกรณ์ประกอบ เครื่องมือ และอุปกรณ์อื่นๆ ให้ตรงตามคำแนะนำนี้ และในลักษณะตามที่เครื่องมือไฟฟ้าประเภทนั้นๆ กำหนดไว้ โดยต้องคำนึงถึงเงื่อนไขการทำงานและงานที่จะทำด้วย การใช้เครื่องมือไฟฟ้าทำงานที่ต่างไปจากวัตถุประสงค์การใช้งานของเครื่อง อาจนำไปสู่สถานการณ์ที่เป็นอันตรายได้

การใช้และการดูแลรักษาเครื่องที่ใช้แบตเตอรี่

- ▶ ชาร์จแบตเตอรี่ด้วยเครื่องชาร์จที่บริษัทผู้ผลิตระบุไว้เท่านั้น เครื่องชาร์จที่เหมาะสมสำหรับชาร์จแบตเตอรี่ประเภทหนึ่ง หากนำไปชาร์จแบตเตอรี่ประเภทอื่น อาจเกิดไฟไหม้ได้
- ▶ ใช้แบตเตอรี่เฉพาะประเภทที่เครื่องมือไฟฟ้ากำหนดให้ใช้ได้ การใช้แบตเตอรี่ประเภทอื่นเสี่ยงต่อการเกิดไฟไหม้หรือบาดเจ็บ
- ▶ เมื่อไม่ใช้แบตเตอรี่ ให้เก็บแบตเตอรี่ไว้ห่างไกลวัตถุอื่น ๆ เช่น คลิปหนีบกระดาษ เหรียญ กุญแจ ตะปู สกรู

หรือโลหะวัตถุขนาดเล็กอื่นๆ ที่สามารถต่อขั้วหนึ่งไปยังอีกขั้วหนึ่งได้ การลัดวงจรของขั้วแบตเตอรี่อาจทำให้เกิดการไหม้หรือไฟลุกได้

- ▶ เมื่อใช้แบตเตอรี่ชนิดรีชาร์จ อาจมีของเหลวไหลออกมาจากแบตเตอรี่ได้ ให้หลีกเลี่ยงการสัมผัสของเหลว หากสัมผัสโดยบังเอิญ ให้ใช้น้ำล้าง หากของเหลวเข้าตา ให้ขอความช่วยเหลือจากแพทย์ด้วย ของเหลวที่ไหลออกมาจากแบตเตอรี่อาจทำให้เกิดอาการคันหรือแสบผิวหนังได้

การบริการ

- ▶ ส่งเครื่องมือไฟฟ้าให้ช่างผู้เชี่ยวชาญตรวจสอบและใช้อะไหล่เปลี่ยนของแท้เท่านั้น ในลักษณะนี้ท่านจะแน่ใจได้ว่าเครื่องมือไฟฟ้าอยู่ในสภาพที่ปลอดภัย

คำแนะนำเพื่อความปลอดภัยสำหรับเครื่องเป่าลมทำงานด้วยแบตเตอรี่

- ▶ ตรวจสอบให้แน่ใจว่าคนที่ยืนอยู่ใกล้ๆ จะไม่ได้รับบาดเจ็บจากวัตถุแปลกปลอมที่ถูกเหวี่ยงออกมา
- ▶ เอานิ้วมือของท่านออกจากช่องเปิดของเครื่องมือไฟฟ้าในขณะที่ทำงาน ใช้งานเครื่องเป่าลมเฉพาะเมื่อมีหัวเป่าลมเสียบอยู่เท่านั้น เครื่องเป่าลมที่หมุนอยู่อาจทำให้ท่านได้รับบาดเจ็บ
- ▶ อย่าเป่าวัสดุที่เป็นอันตรายต่อสุขภาพมารวมกัน ต. ย. เช่น ฝุ่นจากไม้บิชหรือไม้ไผ่ ฝุ่นจากหิน แร่ใยหิน วัสดุเหล่านี้ถือเป็นสารก่อมะเร็ง
- ▶ อย่าเป่าของเหลวมารวมกัน หากของเหลวเข้าในมอเตอร์ จะเพิ่มความเสี่ยงจากการถูกไฟฟ้าดูด
- ▶ อย่าให้เครื่องมือไฟฟ้าถูกฝุ่นหรือความชื้น หากของเหลวซึมผ่านเข้าในมอเตอร์ จะเพิ่มความเสี่ยงจากการถูกไฟฟ้าดูด
- ▶ จัดสถานที่ทำงานให้มีอากาศถ่ายเทที่ดี
- ▶ สวมอุปกรณ์ป้องกันตัวเพิ่มเติม เช่น แวนครอบคานีกรักซ์ และหน้ากากป้องกัน การสวมอุปกรณ์ป้องกันที่เข้ากับสภาพการทำงานจะลดการสัมผัสกับวัตถุอันตราย



- ▶ อย่าเปิดแบตเตอรี่ด้วยตนเอง อันตรายจากการลัดวงจร ปกป้องแบตเตอรี่จากความร้อน ต. ย. เช่น จากแสงแดดจ้าที่ส่องอย่างต่อเนื่อง ไฟ น้ำ และความชื้น อันตรายจากการระเบิด

- ▶ ในกรณีที่แบตเตอรี่ชำรุดและใช้แบตเตอรี่อย่างไม่ถูกต้อง อาจมีไอระเหยออกมา ให้สูดอากาศบริสุทธิ์และหาแพทย์ในกรณีเจ็บปวด ไอระเหยอาจทำให้ระบบหายใจระคายเคือง
- ▶ ใช้แบตเตอรี่เฉพาะกับผลิตภัณฑ์ของ บอช ของท่านเท่านั้น ในลักษณะนี้ แบตเตอรี่จะได้รับ การปกป้องจากการใช้งานเกินกำลังซึ่งเป็นอันตราย
- ▶ วัตถุที่แหลมคม ต. ย. เช่น ตะปูหรือไขควง หรือแรงกระทำภายนอก อาจทำให้แบตเตอรี่เสียหายได้ ล้าง

30 | ภาษาไทย

เหล่านี้จะทำให้เกิดการลัดวงจรภายในและแบตเตอรี่ใหม่ มีควัน ระเบิด หรือร้อนเกินไป

รายละเอียดผลิตภัณฑ์และข้อมูลจำเพาะ



ต้องอ่านคำเตือนเพื่อความปลอดภัยและคำสั่งทั้งหมด การไม่ปฏิบัติตามคำเตือนและคำสั่งอาจเป็นสาเหตุให้ถูกไฟฟ้าช็อต เกิดไฟไหม้ และ/หรือได้รับบาดเจ็บอย่างร้ายแรง

ประโยชน์การใช้งานของเครื่อง

เครื่องมือไฟฟ้าที่เหมาะสมสำหรับเป่าวัสดุที่ไม่เป็นอันตรายต่อสุขภาพมารวมกัน (ต. ย. เช่น ซีลีสวย เศษโลหะ ฝุ่นจากหิน ฯลฯ) เช่น เศษที่เกิดจากการเลื่อย การเจาะ หรือการขัด เมื่อติดตั้งอุปกรณ์ประกอบที่เหมาะสมยังสามารถใช้เป่ารูเจาะได้ด้วย

เครื่องมือไฟฟ้าไม่เหมาะสำหรับเป่าวัสดุที่ร้อน ติดไฟได้ หรือระเบิดได้ มารวมกัน

ส่วนประกอบผลิตภัณฑ์

ลำดับเลขของส่วนประกอบผลิตภัณฑ์อ้างอิงถึงส่วนประกอบของเครื่องที่แสดงในหน้าภาพประกอบ

- 1 สวิตช์เปิด-ปิด พร้อมการเลือกระดับความเร็ว
- 2 ด้ามจับ
- 3 แบตเตอรี่แพ็ค *
- 4 ทางลมเข้า
- 5 ครอบมอเตอร์
- 6 หัวเป่าลม
- 7 เป็นปลดล็อคแบตเตอรี่
- 8 ส่วนเว้า เชื่อมต่ออุปกรณ์ประกอบ
- 9 ท่อต่อ
- 10 หัวเป่าลมรูเจาะ
- 11 ท่อเก็บฝุ่น
- 12 ตัวล็อคแบบเขี้ยว
- 13 ส่วนเว้า ท่อเก็บฝุ่น

* อุปกรณ์ประกอบที่แสดงหรือระบุไม่รวมอยู่ในการจัดส่งมาตรฐาน กรุณาดูอุปกรณ์ประกอบทั้งหมดในรายการแสดงอุปกรณ์ประกอบของเรา

ข้อมูลทางเทคนิค

เครื่องเป่าลมไร้สาย	GBL 18V-120	
หมายเลขสินค้า	3 601 JF5 1..	
ความเร็วรอบเดินตัวเปล่า	รอบ/นาที	17000
ความเร็วลม สูงสุด	เมตร/วินาที	75
ปริมาณการดูดลม	ม. ³ /นาที	2.0
กำหนดข้อมูลทางเทคนิคด้วยแบตเตอรี่ที่จัดส่งมา		
1) ขึ้นอยู่กับแบตเตอรี่แพ็คที่ใช้		
2) ผลการทำงานน้อยลงที่อุณหภูมิ < 0 °C		

เครื่องเป่าลมไร้สาย	GBL 18V-120	
น้ำหนักตามระเบียบการ -EPTA-Procedure 01:2014	กก.	1.4/1.68 ¹⁾
อุณหภูมิแวดล้อมที่อนุญาต	°C	0...+45
- เมื่อชาร์จ	°C	0...+45
- เมื่อทำงาน ²⁾ และเมื่อจัดเก็บ	°C	-20...+50
แบตเตอรี่ที่แนะนำ	GBA 18V.. GBA 18V... W	
เครื่องชาร์จที่แนะนำ	AL 18.. GAL 3680	
เครื่องชาร์จที่แนะนำสำหรับแบตเตอรี่ชาร์จแบบไร้สาย	GAL 18... W	
ช่วงเวลาทำงานต่อการทำงานของแบตเตอรี่		
- ระดับเครื่องเป่าลม I	นาที/ แอมแปร์ชั่วโมง	9
- ระดับเครื่องเป่าลม II	นาที/ แอมแปร์ชั่วโมง	5
กำหนดข้อมูลทางเทคนิคด้วยแบตเตอรี่ที่จัดส่งมา		
1) ขึ้นอยู่กับแบตเตอรี่แพ็คที่ใช้		
2) ผลการทำงานน้อยลงที่อุณหภูมิ < 0 °C		

การประกอบ

การชาร์จแบตเตอรี่

▶ **ใช้เฉพาะเครื่องชาร์จแบตเตอรี่ตามรายการในหน้าอุปกรณ์ประกอบเท่านั้น** เฉพาะเครื่องชาร์จแบตเตอรี่เหล่านี้เท่านั้นที่เข้าชุดกับแบตเตอรี่ลิเธียม ไอออน ของเครื่องมือไฟฟ้าของท่าน

หมายเหตุ: แบตเตอรี่ที่จัดส่งได้รับการชาร์จไฟไว้บ้างแล้วเพื่อให้แบตเตอรี่ทำงานได้เต็มประสิทธิภาพ ต้องชาร์จแบตเตอรี่ในเครื่องชาร์จแบตเตอรี่ให้เต็มก่อนใช้งานเครื่องมือไฟฟ้าของท่านเป็นครั้งแรก

เมื่อต้องการชาร์จ ต้องถอดแบตเตอรี่ออกจากเครื่องมือไฟฟ้าก่อน

แบตเตอรี่ลิเธียม ไอออน สามารถชาร์จได้ตลอดเวลาโดยอายุการใช้งานจะไม่ลดลง การชาร์จทิ้งไว้จะกระบวนกรชาร์จไม่ทำให้แบตเตอรี่เสียหาย

ระบบป้องกันเซลล์แบตเตอรี่ "Electronic Cell Protection (ECP)" ป้องกันไม่ให้แบตเตอรี่ลิเธียม ไอออน คายประจุไฟฟ้าลึก เมื่อแบตเตอรี่หมด วงจรป้องกันจะดับสวิตช์เครื่อง

▶ **หลังจากเครื่องดับสวิตช์โดยอัตโนมัติ อยากรดสวิตช์เปิด-ปิดต่อ** แบตเตอรี่อาจเสียหายได้

แบตเตอรี่มีระบบควบคุมอุณหภูมิ NTC ประกอบอยู่ด้วย ระบบควบคุมนี้จะอนุญาตให้ชาร์จได้ที่อุณหภูมิระหว่าง 0 ถึง 45 องศาเซลเซียสเท่านั้น ในลักษณะนี้แบตเตอรี่จะมีอายุการใช้งานยืนยาว

หลังจากชาร์จแบตเตอรี่แล้ว หากแบตเตอรี่มีช่วงเวลาทำงานสั้นมาก แสดงว่าแบตเตอรี่เสื่อมและต้องเปลี่ยนใหม่

อ่านและปฏิบัติตามข้อสั่งการสำหรับการกำจัดขยะ

การถอดแบตเตอรี่ (ดูภาพประกอบ A1 – A2)

แบตเตอรี่ 3 มีสองระดับการล็อคซึ่งจะป้องกันแบตเตอรี่ไม่ให้หล่นออกมาเมื่อแป้นปลดล็อคแบตเตอรี่ 7 ถูกกดโดยไม่ตั้งใจ เมื่อแบตเตอรี่ถูกบรรจุอยู่ในเครื่องมือไฟฟ้า สปริงจะยึดแบตเตอรี่ให้เข้าตำแหน่ง

- เมื่อต้องการถอดแบตเตอรี่ 3 ออก ให้กดแป้นปลดล็อคแบตเตอรี่ 7 และดึงแบตเตอรี่ออกจากเครื่องทางด้านท้ายอย่าใช้กำลังดึง

การติดตั้งอุปกรณ์ประกอบเครื่องเป่าลม (ดูภาพประกอบ B1 – B3)

▶ **ถอดแบตเตอรี่ออกก่อนซ่อมบำรุงหรือทำความสะอาดเครื่องเป่าลม ปรับตั้งค่า เปลี่ยนชิ้นส่วนอุปกรณ์ประกอบ หรือจัดเก็บเครื่องเป่าลม** มาตรการระวังภัยล่วงหน้านี้จะป้องกันไม่ให้เครื่องเป่าลมติดชิ้นโดยไม่ตั้งใจ สำหรับรูปแบบการเชื่อมต่อชิ้นส่วนอุปกรณ์ประกอบต่างๆ ของเครื่องเป่าลมเข้าด้วยกัน กรุณาดูภาพประกอบ

- เลี้ยวตัวล็อคแบบเขี้ยว 12 ของอุปกรณ์ประกอบเข้าในส่วนเว้า 8 ของครอบมอเตอร์ หรือเข้าในส่วนเว้า 8 ของท่อต่อ 9 ให้แน่น
- หมุนตัวล็อคแบบเขี้ยวตามเข็มนาฬิกาไปหนึ่งส่วนสี่รอบหมุน

การติดตั้งท่อเก็บฝุ่น

เมื่อเป่ารูเจาะ เศษตกค้างจากการเจาะจะถูกเป่าไปยังผู้ใช้งานเครื่องดังนั้นบนหัวเป่าลมรูเจาะ 10 เราขอแนะนำให้ติดตั้งท่อเก็บฝุ่น 11

- เลี้ยวส่วนเว้า 13 ของท่อเก็บฝุ่น 11 เข้าบนตัวล็อคแบบเขี้ยว 12 ด้านนอกของหัวเป่าลมรูเจาะ 10
- หมุนท่อเก็บฝุ่น 11 ตามเข็มนาฬิกาไปหนึ่งส่วนสี่รอบหมุน

การปฏิบัติงาน

▶ **ถอดแบตเตอรี่ออกก่อนซ่อมบำรุงหรือทำความสะอาดเครื่องเป่าลม ปรับตั้งค่า เปลี่ยนชิ้นส่วนอุปกรณ์ประกอบ หรือจัดเก็บเครื่องเป่าลม** มาตรการระวังภัยล่วงหน้านี้จะป้องกันไม่ให้เครื่องเป่าลมติดชิ้นโดยไม่ตั้งใจ

เริ่มต้นปฏิบัติงาน

การเปิดและปิดเครื่อง

เพื่อประหยัดพลังงาน เปิดสวิตช์เครื่องมือไฟฟ้าเฉพาะเมื่อใช้งานเท่านั้น

- **เปิดสวิตช์** เครื่องมือไฟฟ้าโดยกดสวิตช์เปิด-ปิด 1 ในตำแหน่ง I หรือ II
ตำแหน่ง I: เป่าวัสดุหน้าหนักมารวมกัน
ตำแหน่ง II: เป่าวัสดุหน้าหนักมารวมกัน
- **ปิดสวิตช์** โดยกดสวิตช์เปิด-ปิด 1 ในตำแหน่ง "0" ไปจนสุด

ข้อแนะนำในการทำงาน

อย่าเป่าเศษสกปรกไปยังคนที่ยืนอยู่ใกล้ๆ

ขณะทำงาน ต้องถือเครื่องมือไฟฟ้าให้อยู่เหนือพื้นดินประมาณ 3 ซม. เสมอ

อย่าเป่าวัสดุที่ร้อน ติดไฟได้ หรือระเบิดได้ มารวมกัน

ระหว่าง "การเป่า" ต้องระมัดระวังอย่าให้เศษวัสดุ/สิ่งสกปรกถูกดูดเข้า ช่องทางลมเข้า 4

การบำรุงรักษาและการบริการ

การบำรุงรักษาและการทำความสะอาด

- ▶ **ถอดแบตเตอรี่ออกก่อนซ่อมบำรุงหรือทำความสะอาดเครื่องเป่าลม ปรับตั้งค่า เปลี่ยนชิ้นส่วนอุปกรณ์ประกอบ หรือจัดเก็บเครื่องเป่าลม** มาตรการระวังภัยล่วงหน้านี้จะป้องกันไม่ให้เครื่องเป่าลมติดชิ้นโดยไม่ตั้งใจ
- ▶ **เพื่อให้ทำงานได้อย่างถูกต้องและปลอดภัย ต้องรักษาเครื่องและช่องระบายอากาศให้สะอาดอยู่เสมอ**

การบริการหลังการขายและคำแนะนำการใช้งาน

ศูนย์บริการหลังการขายของเรายินดีตอบคำถามเกี่ยวกับการบำรุงรักษาและการซ่อมแซมผลิตภัณฑ์ของท่าน รวมทั้งชิ้นส่วนอะไหล่ ภาพแยกชิ้นประกอบและข้อมูลเกี่ยวกับชิ้นส่วนอะไหล่ยังสามารถดูได้ใน:

www.bosch-pt.com

ทีมงานให้คำแนะนำการใช้งานของ บ็อช ยินดีตอบคำถามเกี่ยวกับผลิตภัณฑ์ของเราและอุปกรณ์ประกอบของผลิตภัณฑ์

เมื่อต้องการสอบถามและสั่งซื้ออะไหล่ กรุณาแจ้งหมายเลขสินค้า 10 หลักบนแผ่นป้ายรุ่นของผลิตภัณฑ์ทุกครั้ง

ในกรณีประกัน ซ่อมแซม หรือซื้อชิ้นส่วนมาเปลี่ยน กรุณาติดต่อ ผู้ขายที่ได้รับแต่งตั้งเท่านั้น

ไทย

บริษัท โรเบิร์ต บ็อช จำกัด
ชั้น 11 ตึกลิเบอร์ตี สแควร์
287 ถนนสีลม บางรัก
กรุงเทพฯ 10500
โทรศัพท์ 02 6393111
โทรสาร 02 2384783

บริษัท โรเบิร์ต บ็อช จำกัด ตู้ ปณ. 2054
กรุงเทพฯ 10501 ประเทศไทย
www.bosch.co.th

ศูนย์บริการซ่อมและฝึกอบรม บ็อช
อาคาร ลาซาลทาวเวอร์ ชั้น G ห้องเลขที่ 2
บ้านเลขที่ 10/11 หมู่ 16
ถนนศรีนครินทร์
ตำบลบางแก้ว อำเภอบางพลี
จังหวัดสมุทรปราการ 10540
ประเทศไทย
โทรศัพท์ 02 7587555
โทรสาร 02 7587525

การขนส่ง

แบตเตอรี่ลิเธียม ไอออน ที่บรรจุอยู่ภายใต้ข้อกำหนดแห่งกฎหมายสินค้าอันตราย ผู้ใช้สามารถขนส่งแบตเตอรี่โดยทางถนนโดยไม่มีข้อบังคับอื่น หากขนส่งโดยบุคคลที่สาม (เช่น: การขนส่งทางอากาศ หรือตัวแทนขนส่งสินค้า) ต้องปฏิบัติตามข้อกำหนดพิเศษเกี่ยวกับการบรรจุภัณฑ์และการติดฉลาก ในการจัดเตรียมสิ่งของที่จะจัดส่ง ต้องปรึกษาผู้เชี่ยวชาญสำหรับวัตถุนั้นๆ

32 | Bahasa Indonesia

ส่งแบตเตอรี่เมื่อตัวหุ้มไม่ชำรุดเสียหายเท่านั้น ใช้แถบกาวพันปิดหน้าสัมผัสที่เปิดอยู่ และนำแบตเตอรี่ใส่กล่องบรรจุโดยไม่ให้เคลื่อนไปมาในกล่องได้นอกจากนี้กรุณาปฏิบัติตามกฎระเบียบของประเทศซึ่งอาจมีรายละเอียดเพิ่มเติม

การกำจัดขยะ

เครื่อง แบตเตอรี่ที่นำกลับมาชาร์จใหม่ได้ อุปกรณ์ประกอบ และหีบห่อ ต้องนำไปแยกประเภทวัสดุเพื่อนำกลับมาใช้ใหม่โดยไม่ทำลายสภาพแวดล้อม อย่างไรก็ตามอย่าทิ้งเครื่องมือไฟฟ้าและแบตเตอรี่/แบตเตอรี่ที่นำกลับมาชาร์จใหม่ได้ ลงในขยะบ้าน!

แบตเตอรี่แพ็ค/แบตเตอรี่:**Li-ion:**

กรุณาปฏิบัติตามคำสั่งในบท "การขนส่ง" หน้า 31

ขอสงวนสิทธิ์ในการเปลี่ยนแปลงโดยไม่ต้องแจ้งล่วงหน้า

Bahasa Indonesia

Petunjuk-Petunjuk untuk Keselamatan Kerja

Petunjuk-Petunjuk Umum untuk Perangkat Listrik

⚠ PERHATIKANLAH Bacalah semua petunjuk-petunjuk untuk keselamatan kerja dan petunjuk-petunjuk untuk penggunaan. Kesalahan dalam menjalankan petunjuk-petunjuk untuk keselamatan kerja dan petunjuk-petunjuk untuk penggunaan dapat mengakibatkan kontak listrik, kebakaran dan/atau luka-luka yang berat.

Simpanlah semua petunjuk-petunjuk untuk keselamatan kerja dan petunjuk-petunjuk lainnya untuk penggunaan di masa depan.

Kata „perkakas listrik“ yang disebutkan di dalam petunjuk-petunjuk untuk keselamatan kerja adalah sebutan untuk perangkat listrik pakai listrik jaringan (dengan kabel) dan untuk perangkat listrik tenaga baterai (tanpa kabel listrik).

Keselamatan kerja di tempat kerja

- ▶ **Jagalah supaya tempat kerja selalu bersih dan terang.** Tempat kerja yang tidak rapi atau tidak terang dapat mengakibatkan terjadinya kecelakaan.
- ▶ **Janganlah menggunakan perangkat listrik di tempat di mana dapat terjadi ledakan, di mana ada cairan, gas atau debu yang mudah terbakar.** Perangkat listrik dapat memancarkan bunga api yang lalu mengakibatkan debu atau uap terbakar.
- ▶ **Selama menggunakan perangkat listrik, jauhkan anak-anak dan orang-orang lain dari tempat kerja.** Jika konsentrasi terganggu, bisa jadi Anda tidak bisa mengendalikan perangkat listrik tersebut.

Keamanan listrik

- ▶ **Steker dari perangkat listrik harus cocok pada stopkontak. Janganlah sekali-kali merubah steker. Janganlah menggunakan steker perantara bersama dengan perangkat listrik yang mempunyai hubungan arde.** Steker yang tidak dirubah dan stopkontak yang cocok mengurangi bahaya terjadinya kontak listrik.
- ▶ **Jagalah supaya badan Anda tidak bersentuhan dengan permukaan yang mempunyai hubungan arde, misalnya pipa-pipa, radiator pemanas ruangan, kompor listrik dan lemari es.** Ada risiko besar terjadi kontak listrik, jika badan Anda mempunyai hubungan arde.
- ▶ **Jagalah supaya perangkat listrik tidak kena hujan atau menjadi basah.** Air yang masuk ke dalam perangkat listrik menambah risiko terjadinya kontak listrik.
- ▶ **Janganlah menyalah gunakan kabel listrik untuk mengangkat dan menggantungkan perangkat listrik atau untuk menarik steker dari stopkontak. Jagalah supaya kabel listrik tidak kena panas, minyak, pinggiran yang tajam atau bagian-bagian perangkat yang bergerak.** Kabel listrik yang rusak atau tersangkut menambah risiko terjadinya kontak listrik.
- ▶ **Jika Anda menggunakan perangkat listrik di luar gedung, gunakanlah hanya kabel sambungan yang juga cocok untuk pemakaian di luar gedung.** Penggunaan kabel sambungan yang cocok untuk pemakaian di luar gedung mengurangi risiko terjadinya kontak listrik.
- ▶ **Jika penggunaan perangkat listrik di tempat yang basah tidak bisa dihindarkan, gunakanlah sakelar pengaman terhadap arus penyimpangan.** Penggunaan sakelar pengaman terhadap arus penyimpangan mengurangi risiko terjadinya kontak listrik.

Keselamatan kerja

- ▶ **Berhati-hatilah selalu, perhatikanlah apa yang Anda kerjakan dan bekerjalah dengan seksama jika menggunakan perangkat listrik. Janganlah menggunakan perangkat listrik, jika Anda capai atau berada di bawah pengaruh narkoba, minuman keras atau obat.** Jika Anda sekejap mata saja tidak berhati-hati sewaktu menggunakan perangkat listrik, dapat terjadi luka-luka berat.
- ▶ **Pakailah pakaian dan sarana pelindung dan pakailah selalu kaca mata pelindung.** Dengan memakai pakaian dan sarana pelindung, misalnya kedok anti debu (masker), sepatu tertutup yang tidak licin, helm pelindung atau pemalut telinga sesuai dengan pekerjaan yang dilakukan dengan perangkat listrik, bahaya terjadinya luka-luka dapat dikurangi.
- ▶ **Jagalah supaya perangkat listrik tidak dihidupkan secara tidak disengaja. Perhatikan bahwa perangkat listrik dalam penyetelan mati, jika steker disambungkan pada pengadaan listrik dan/atau baterai, jika perangkat listrik diangkat atau dibawa.** Jika selama mengangkat perangkat listrik jari Anda berada pada tombol untuk menghidupkan dan mematikan atau perangkat listrik yang dalam penyetelan hidup disambungkan pada listrik, dapat terjadi kecelakaan.

- ▶ **Lepaskan semua perkakas-perkakas penyetelan atau kunci-kunci pas sebelum perkakas listrik dihidupkan.** Perkakas atau kunci yang berada di dalam bagian yang berputar dapat mengakibatkan terjadinya luka-luka.
- ▶ **Aturkan badan sedemikian sehingga Anda bisa bekerja dengan aman. Berdirilah secara mantap dan jagalah selalu keseimbangan.** Dengan demikian Anda bisa mengendalikan perkakas listrik dengan lebih baik, jika terjadi sesuatu dengan tiba-tiba.
- ▶ **Pakailah pakaian yang cocok. Janganlah memakai pakaian yang longgar atau perhiasan. Jagalah supaya rambut, pakaian dan sarung tangan tidak masuk dalam bagian-bagian perkakas yang bergerak.** Pakaian yang longgar, rambut panjang atau perhiasan dapat tersangkut dalam bagian perkakas yang bergerak.
- ▶ **Jika ada kemungkinan untuk memasang sarana penghisapan dan penampungan debu, perhatikan bahwa sarana-sarana ini telah dipasang dan digunakan dengan betul.** Penggunaan sarana penghisapan bisa mengurangi bahaya yang disebabkan debu.

Penggunaan dan penanganan perkakas listrik dengan seksama

- ▶ **Janganlah membebankan perkakas listrik terlalu berat. Gunakan selalu perkakas listrik yang cocok untuk pekerjaan yang dilakukan.** Dengan perkakas listrik yang cocok Anda bekerja lebih baik dan lebih aman dalam batas-batas kemampuan yang ditentukan.
- ▶ **Janganlah menggunakan perkakas listrik yang tombolnya rusak.** Perkakas listrik yang tidak bisa dihidupkan atau dimatikan, berbahaya dan harus direparasikan.
- ▶ **Tariklah steker dari stopkontak dan/atau keluarkan baterai, sebelum Anda melakukan penyetelan pada perkakas listrik, mengganti alat-alat kerja atau sebelum menyimpan perkakas listrik.** Tindakan keselamatan kerja ini mengurangi bahaya perkakas listrik hidup secara tidak disengaja.
- ▶ **Simpanlah perkakas listrik yang tidak digunakan di luar jangkauan anak-anak. Janganlah mengizinkan orang-orang yang tidak mengenal perkakas listrik ini atau yang belum membaca petunjuk-petunjuk ini, menggunakan perkakas listrik ini.** Perkakas listrik bisa menjadi berbahaya, jika digunakan oleh orang-orang yang tidak mengenalnya.
- ▶ **Rawatlah perkakas listrik dengan seksama. Periksa, apakah bagian-bagian perkakas listrik yang bergerak berfungsi dengan baik dan tidak tersangkut, apakah ada bagian-bagian yang patah atau rusak sedemikian, sehingga dapat mempengaruhi jalannya perkakas listrik. Biarkan bagian-bagian perkakas yang rusak direparasikan, sebelum Anda mulai menggunakan perkakas listrik.** Banyak kecelakaan terjadi karena perkakas listrik tidak dirawat dengan seksama.
- ▶ **Perhatikan supaya alat-alat pemotong selalu tajam dan bersih.** Alat-alat pemotong dengan mata-mata pemotong yang tajam dan dirawat dengan seksama tidak mudah tersangkut dan lebih mudah dikendalikan.
- ▶ **Gunakanlah semua perkakas listrik, aksesoris, alat-alat kerja dsb. sesuai dengan petunjuk-petunjuk. Perhatikan syarat-syarat kerja dan macam pekerjaan yang dilakukan.** Penggunaan perkakas listrik untuk macam pekerjaan yang tidak cocok dengan kegunaannya bisa mengakibatkan keadaan yang berbahaya.

Penanganan dan penggunaan perkakas-perkakas pakai baterai dengan seksama

- ▶ **Isikan baterai hanya dalam alat-alat pencas baterai yang dianjurkan oleh pabrik.** Jika suatu alat pencas baterai yang cocok untuk mengisi satu macam baterai tertentu, digunakan untuk mengisi baterai-baterai lainnya, ada bahaya terjadinya kebakaran.
- ▶ **Gunakanlah hanya baterai-baterai yang cocok dan khusus untuk masing-masing perkakas listrik.** Penggunaan baterai-baterai lain dapat mengakibatkan terjadinya luka-luka dan kebakaran.
- ▶ **Jika baterai tidak digunakan, jauhkan baterai dari klip untuk kertas, uang logam, kunci, paku, sekrup atau benda-benda kecil dari logam lainnya, yang dapat menjembatani kontak-kontak.** Korsleting antara kontak-kontak baterai dapat mengakibatkan kebakaran atau api.
- ▶ **Jika baterai tidak digunakan dengan betul, dapat keluar cairan dari baterai. Jagalah supaya Anda tidak terkena pada cairan ini. Jika secara tidak disengaja Anda terkena pada cairan ini, cucikan dengan air. Jika cairan tersebut terkena pada mata, selain tindakan di atas, segera hubungi seorang dokter.** Cairan yang keluar dari baterai dapat mengakibatkan gangguan pada kulit atau kebakaran.

Servis

- ▶ **Biarkan perkakas listrik Anda direparasikan hanya oleh orang-orang ahli yang berpengalaman dan hanya dengan menggunakan suku cadang yang asli.** Dengan demikian terjamin keselamatan kerja dengan perkakas listrik ini secara berkesinambungan.

Petunjuk keselamatan untuk pemakaian alat yang dioperasikan dengan baterai

- ▶ **Pastikan bahwa tidak terdapat seorang pun yang berada di dekat alat untuk menghindari risiko cedera akibat benda-benda asing yang beterbangan.**
- ▶ **Jauhkan jari-jari dari lubang perkakas listrik selama pengoperasian. Operasikan alat hanya dengan menggunakan nosel yang telah terpasang.** Alat yang berputar dapat menimbulkan bahaya cedera.
- ▶ **Jangan meniup bahan-bahan yang membahayakan kesehatan seperti serbuk debu dari kayu oak, kayu fagus, batuan dan asbes.** Bahan-bahan tersebut termasuk zat karsinogenik.
- ▶ **Dilarang meniup cairan.** Masuknya cairan ke dalam mesin dapat meningkatkan risiko sengatan listrik.

34 | Bahasa Indonesia

- ▶ **Jagalah supaya perkakas listrik tidak kena hujan atau menjadi basah.** Air yang masuk ke dalam motor menambah risiko terjadinya kontak listrik.
- ▶ **Upayakanlah supaya ada pertukaran udara di tempat kerja.**
- ▶ **Selain itu, pakailah sarana pelindung pribadi, seperti misalnya kaca mata pelindung dan kedok untuk pernafasan.** Memakai sarana pelindung sesuai dengan pekerjaan yang dilakukan bisa mengurangi bahaya yang disebabkan oleh bahan-bahan yang mengancam kesehatan.



- ▶ **Janganlah membuka baterai.** Ada bahaya terjadinya korsleting.



Lindungilah baterai terhadap panas, misalnya juga terhadap penyinaran matahari yang lama, api, air dan kelembaban. Ada bahaya terjadinya ledakan.

- ▶ **Jika baterai rusak dan jika baterai digunakan salah, baterai bisa mengeluarkan uap. Biarkan udara segar mengalir masuk dan jika Anda merasa tidak enak badan, pergilah ke dokter.** Uap tersebut bisa mengganggu saluran pernafasan.
- ▶ **Gunakan baterai yang sesuai dengan produk Bosch Anda.** Hanya dengan cara ini, baterai dapat dilindungi dari kelebihan muatan.
- ▶ **Baterai dapat rusak akibat benda berujung runcing seperti paku atau obeng atau akibat tekanan yang kuat dari luar.** Hal ini dapat menyebabkan terjading hubungan singkat internal dan baterai dapat terbakar, berasap, meledak, atau mengalami panas berlebih.

Penjelasan tentang produk dan daya



Bacalah semua petunjuk-petunjuk untuk keselamatan kerja dan petunjuk-petunjuk untuk penggunaan. Kesalahan dalam menjalankan petunjuk-petunjuk untuk keselamatan kerja dan petunjuk-petunjuk

untuk penggunaan dapat mengakibatkan kontak listrik, kebakaran dan/atau luka-luka yang berat.

Penggunaan alat

Perkakas listrik ini berfungsi untuk meniup bahan-bahan yang tidak berbahaya untuk kesehatan (contohnya serbuk gergaji, serutan logam, debu dari batuan, dll) pada saat menggergaji, mengebor atau menggerinda. Untuk itu, bahan-bahan tersebut dapat ditiup dengan aksesoris untuk lubang bor yang sesuai.

Perkakas listrik ini tidak boleh digunakan untuk meniup material yang panas, mudah terbakar atau meledak.

Bagian-bagian pada gambar

Nomor-nomor dari bagian-bagian perkakas pada gambar sesuai dengan gambar perkakas listrik pada halaman bergambar.

- 1 Menyalakan/mematikan dengan pilihan level
- 2 Pegangan
- 3 Baterai*
- 4 Sambungan untuk udara masuk
- 5 Rumah mesin
- 6 Spuyer
- 7 Tombol pelepas baterai
- 8 Bukaak sambungan aksesoris
- 9 Tabung ekstensi
- 10 Nosel lubang bor
- 11 Pipa pengumpul debu
- 12 Sambungan bayonet
- 13 Bukaak pipa pengumpul debu

*Aksesoris yang ada pada gambar atau yang dijelaskan, tidak termasuk pasokan standar. Semua aksesoris yang ada bisa Anda lihat dalam program aksesoris Bosch.

Data teknis

Blower dengan baterai	GBL 18V-120	
Nomor model	3 601 JF5 1..	
Kecepatan putaran tanpa beban	min ⁻¹	17000
Laju aliran udara, maksimal.	m/s	75
Volume udara	m ³ /min	2,0
Berat sesuai dengan EPTA-Procedure 01:2014	kg	1,4/1,68 ¹⁾
Suhu sekitar yang diizinkan	°C	0...+45
– saat melakukan pengisian		
– selama pengoperasian ²⁾ dan selama penyimpanan	°C	–20...+50
Baterai yang disarankan	GBA 18V.. GBA 18V... W	
Pengisi daya baterai yang direkomendasikan	AL 18.. GAL 3680	
Pengisi daya yang disarankan untuk baterai induktif	GAL 18... W	
Daya tahan baterai per pengisian ulang	min/Ah	9
– Level blower I	min/Ah	5
– Level blower II		

Data teknis diukur dengan aki yang ikut dipasok.

1) tergantung dari baterai yang digunakan

2) daya dibatasi pada suhu < 0 °C

Cara memasang

Cara mengisi baterai

- ▶ **Gunakanlah hanya alat-alat pencas baterai yang disebutkan pada halaman aksesoris.** Hanya alat-alat pencas baterai ini yang dicocokkan pada baterai ion-Li yang diperlukan bagi perkakas listrik Anda.

Petunjuk: Baterai dipasang dalam keadaan diisi sebagian. Untuk menjamin daya penuh dari baterai, sebelum penggunaannya untuk pertama kalinya, isikanlah baterai sampai penuh sama sekali di dalam alat pencas baterai.

Untuk mengisi daya, baterai harus dilepas dari perkakas listrik.

Baterai ion-Li bisa diisi sewaktu-waktu, tanpa mengurangi daya tahannya. Baterai tidak menjadi rusak jika pengisiannya dihentikan untuk sementara waktu.

Baterai Li-ion terlindung dari pengosongan total daya dengan „Electronic Cell Protection (ECP)“. Bila daya baterai habis, perkakas listrik akan dimatikan oleh sirkuit pelindung.

► **Lepaskan tekanan pada tombol untuk menghidupkan dan mematikan mesin, jika perkakas listrik mati secara otomatis.** Jika tombol ditekan terus, baterai bisa menjadi rusak.

Baterai dilengkapi dengan penjaga suhu NTC yang memungkinkan pengisian baterai hanya pada tingkatan suhu antara 0 °C dan 45 °C. Ini membuat baterai tahan lama.

Jika setelah diisi waktu pemakaian baterai semakin pendek, ini petanda bahwa baterai sudah aus dan harus diganti.

Perhatikanlah petunjuk-petunjuk untuk membuang.

Cara mengeluarkan baterai (lihat gambar-gambar A1 – A2)

Baterai **3** dilengkapi dengan penguncian dua tahapan, yang dimaksudkan untuk melindungi baterai supaya tidak terjatuh ke luar jika tombol pelepas baterai **7** tertekan tanpa disengaja. Selama baterai berada di dalam perkakas listrik, baterai ditahan dalam kedudukannya oleh satu fer.

- Untuk mengeluarkan baterai **3**, tekan tombol-tombol pelepas baterai **7** dan tarikkan baterai ke belakang ke luar dari perkakas listrik. **Janganlah melakukannya dengan paksaan.**

Memasang aksesoris blower (lihat gambar-gambar B1 – B3)

► **Lepas baterai sebelum blower diservis atau dibersihkan, dilakukan penyetelan pada perangkat, komponen aksesoris diganti atau apabila blower tidak dipakai.** Tindakan pencegahan ini dilakukan guna menghindari blower menyala secara tidak disengaja.

Lihat gambar mengenai pilihan kombinasi dari beragam aksesoris blower.

- Masukkan sambungan bayonet **12** aksesoris ke dalam bukaan **8** rumah mesin atau ke dalam bukaan **8 9** tabung ekstensi.
- Putar sambungan bayonet hingga seperempat putaran searah jarum jam.

Memasang pipa pengumpul debu

Ketika meniup lubang bor, sisa-sisa pengeboran akan tertiuip ke arah operator. Oleh karena itu, disarankan untuk memasang pipa pengumpul debu dengan nosel lubang bor **10 11**.

- Masukkan sambungan **13** pipa pengumpul debu **11** pada sambungan bayonet **12** nosel lubang bor **10**.

- Putar pipa pengumpul debu **11** hingga seperempat putaran searah jarum jam.

Penggunaan

► **Lepas baterai sebelum blower diservis atau dibersihkan, dilakukan penyetelan pada perangkat, komponen aksesoris diganti atau apabila blower tidak dipakai.** Tindakan pencegahan ini dilakukan guna menghindari blower menyala secara tidak disengaja.

Cara penggunaan

Menghidupkan/matikan

Untuk menghemat energi, hidupkan perkakas listrik hanya jika Anda menggunakannya.

- Untuk **menyalakan** perkakas listrik, tekan tombol on/off **1** ke posisi **I** atau **II**.
Posisi **I**: meniup material ringan.
Posisi **II**: meniup material berat.
- Untuk **mematikan**, tekan tombol on/off **1** hingga berhenti ke posisi „0“.

Petunjuk-petunjuk untuk pemakaian

Jangan pernah meniup serbuk kotoran ke arah orang lain yang berada di sekitar Anda.

Selalu jaga jarak antara perkakas listrik dengan lantai sekitar 3 cm selama pengerjaan.

Jangan meniup material yang panas, mudah terbakar atau meledak.

Perhatikanlah bahwa sambungan untuk udara masuk **4** selama peniupan tidak bisa menghisap pencemaran.

Rawatan dan servis

Rawatan dan kebersihan

► **Lepas baterai sebelum blower diservis atau dibersihkan, dilakukan penyetelan pada perangkat, komponen aksesoris diganti atau apabila blower tidak dipakai.** Tindakan pencegahan ini dilakukan guna menghindari blower menyala secara tidak disengaja.

► **Perkakas listrik dan lubang ventilasi harus selalu dibersihkan supaya perkakas bisa digunakan dengan baik dan aman.**

Layanan pasca beli dan konseling terkait pengoperasian

Layanan pasca beli Bosch menjawab semua pertanyaan Anda terkait reparasi dan maintenance serta suku cadang produk ini. Gambar tiga dimensi dan informasi terkait suku cadang dapat Anda lihat di:

www.bosch-pt.com

Tim konseling pengoperasian dari Bosch dengan senang hati membantu Anda, jika Anda hendak bertanya tentang produk-produk kami dan aksesorisnya.

Jika Anda hendak menanyakan sesuatu atau memesan suku cadang, sebutkan selalu nomor model yang terdiri dari 10 angka dan tercantum pada label tipe produk.

36 | Tiếng Việt

Indonesia

PT Robert Bosch
 Palma Tower 10th Floor
 Jl. RA Kartini II-S Kaveling 6 Sek II
 Pondok Pinang, Kebayoran Lama
 Jakarta Selatan 12310
 Indonesia
 Tel.: (021) 3005 5800
 Fax: (021) 3005 5801
 E-Mail: boschpowertools@id.bosch.com
 www.bosch-pt.co.id

Transpor

Pada baterai-baterai ion-Li yang digunakan diterapkan persyaratan terkait peraturan-peraturan tentang bahan-bahan yang berbahaya. Baterai-baterai dapat diangkat oleh penggunanya di jalanan tanpa harus memenuhi syarat-syarat tertentu.

Pada pengiriman oleh pihak ketiga (misalnya transportasi dengan pesawat udara atau perusahaan ekspedisi) harus ditaati syarat-syarat terkait kemasan dan pemberian tanda. Dalam hal ini, untuk mempersiapkan transportasi harus diminta dukungan seorang ahli bahan-bahan berbahaya.

Kirimkan baterai hanya jika rumahnya tidak rusak. Kontak-kontak yang terbuka harus ditutupi dengan pita perekat dan kemasan baterai sedemikian, sehingga baterai tidak bergerak-gerak di dalam kemasan.

Taatilah peraturan-peraturan nasional lainnya yang mungkin lebih rinci yang berlaku di negara Anda.

Cara membuang

Semua perkakas listrik, baterai, aksesoris dan kemasan sebaiknya didaur ulang sesuai dengan upaya untuk melindungi lingkungan hidup.

Janganlah membuang perkakas listrik, baterai isi ulang/baterai ke dalam sampah rumah tangga!

Baterai isi ulang/Baterai:

ion-Li:
 Perhatikanlah petunjuk-petunjuk dalam bab „Transpor“, halaman 36.

Perubahan dapat terjadi tanpa pemberitahuan sebelumnya.

Tiếng Việt**Các Nguyên Tắc An Toàn****Cảnh báo tổng quát cách sử dụng an toàn dụng cụ điện cầm tay**

⚠ CẢNH BÁO Đọc kỹ mọi cảnh báo an toàn và hướng dẫn. Không tuân thủ mọi cảnh báo và hướng dẫn được liệt kê dưới đây có thể

bị điện giật, gây cháy và/hay bị thương tật nghiêm trọng.

Hãy giữ tất cả tài liệu về cảnh báo và hướng dẫn để tham khảo về sau.

Thuật ngữ “dụng cụ điện cầm tay” trong phần cảnh báo là để cập đến sự sử dụng dụng cụ điện cầm tay của bạn, loại sử dụng điện nguồn (có dây cắm điện) hay vận hành bằng pin (không dây cắm điện).

Khu vực làm việc an toàn

- ▶ **Giữ nơi làm việc sạch và đủ ánh sáng.** Nơi làm việc bừa bộn và tối tăm dễ gây ra tai nạn.
- ▶ **Không vận hành dụng cụ điện cầm tay trong môi trường dễ gây nổ, chẳng hạn như nơi có chất lỏng dễ cháy, khí đốt hay rác.** Dụng cụ điện cầm tay tạo ra các tia lửa nên có thể làm rác bén cháy hay bốc khói.
- ▶ **Không để trẻ em hay người đến xem đứng gần khi vận hành dụng cụ điện cầm tay.** Sự phân tâm có thể gây ra sự mất điều khiển.

An toàn về điện

- ▶ **Phích cắm của dụng cụ điện cầm tay phải thích hợp với ổ cắm.** Không bao giờ được cài biến lại phích cắm dưới mọi hình thức. Không được sử dụng phích tiếp hợp nối tiếp đất (dây mát). Phích cắm nguyên bản và ổ cắm đúng loại sẽ làm giảm nguy cơ bị điện giật.
- ▶ **Tránh không để thân thể tiếp xúc với đất hay các vật có bề mặt tiếp đất như đường ống, lò sưởi, hàng rào và tủ lạnh.** Có nhiều nguy cơ bị điện giật hơn nếu cơ thể bạn bị tiếp hay nối đất.
- ▶ **Không được để dụng cụ điện cầm tay ngoài mưa hay ở tình trạng ẩm ướt.** Nước vào máy sẽ làm tăng nguy cơ bị điện giật.
- ▶ **Không được lạm dụng dây dẫn điện.** Không bao giờ được nắm dây dẫn để xách, kéo hay rút phích cắm dụng cụ điện cầm tay. Không để dây gần nơi có nhiệt độ cao, dầu nhớt, vật nhọn bén hay bộ phận chuyển động. Làm hỏng hay cuộn rối dây dẫn làm tăng nguy cơ bị điện giật.
- ▶ **Khi sử dụng dụng cụ điện cầm tay ngoài trời, dùng dây nối thích hợp cho việc sử dụng ngoài trời.** Sử dụng dây nối thích hợp cho việc sử dụng ngoài trời làm giảm nguy cơ bị điện giật.
- ▶ **Nếu việc sử dụng dụng cụ điện cầm tay ở nơi ẩm ướt là không thể tránh được, dùng thiết bị ngắt mạch tự động (RCD) bảo vệ nguồn.** Sử dụng thiết bị ngắt mạch tự động RCD làm giảm nguy cơ bị điện giật.

An toàn cá nhân

- ▶ **Hãy tỉnh táo, biết rõ mình đang làm gì và hãy sử dụng ý thức khi vận hành dụng cụ điện cầm tay.** Không sử dụng dụng cụ điện cầm tay khi

đang mệt mỏi hay đang bị tác động do chất gây nghiện, rượu hay dược phẩm gây ra. Một thoáng mất tập trung khi đang vận hành dụng cụ điện cầm tay có thể gây thương tích nghiêm trọng cho bản thân.

- ▶ **Sử dụng trang bị bảo hộ cá nhân. Luôn luôn đeo kính bảo vệ mắt.** Trang bị bảo hộ như khẩu trang, giày chống trượt, nón bảo hộ, hay dụng cụ bảo vệ tai khi được sử dụng đúng nơi đúng chỗ sẽ làm giảm nguy cơ thương tật cho bản thân.
- ▶ **Phòng tránh máy khởi động bất ngờ. Bảo đảm công tắc máy ở vị trí tắt trước khi cắm vào nguồn điện và/hay lắp pin vào, khi nhắc máy lên hay khi mang xách máy.** Ngáng ngón tay vào công tắc máy để xách hay kích hoạt dụng cụ điện cầm tay khi công tắc ở vị trí mở để dẫn đến tai nạn.
- ▶ **Lấy mọi chìa hay khóa điều chỉnh ra trước khi mở điện dụng cụ điện cầm tay.** Khóa hay chìa còn gắn dính vào bộ phận quay của dụng cụ điện cầm tay có thể gây thương tích cho bản thân.
- ▶ **Không rướn người. Luôn luôn giữ tư thế đứng thích hợp và thăng bằng.** Điều này tạo cho việc điều khiển dụng cụ điện cầm tay tốt hơn trong mọi tình huống bất ngờ.
- ▶ **Trang phục thích hợp. Không mặc quần áo rộng lủng thụng hay mang trang sức. Giữ tóc, quần áo và găng tay xa khỏi các bộ phận chuyển động.** Quần áo rộng lủng thụng, đồ trang sức hay tóc dài có thể bị cuốn vào các bộ phận chuyển động.
- ▶ **Nếu có các thiết bị đi kèm để nối máy hút bụi và các phụ kiện khác, bảo đảm các thiết bị này được nối và sử dụng tốt.** Việc sử dụng các thiết bị gom hút bụi có thể làm giảm các độc hại liên quan đến bụi gây ra.

Sử dụng và bảo dưỡng dụng cụ điện cầm tay

- ▶ **Không được ép máy. Sử dụng dụng cụ điện cầm tay đúng loại theo đúng ứng dụng của bạn.** Dụng cụ điện cầm tay đúng chức năng sẽ làm việc tốt và an toàn hơn theo đúng tiến độ mà máy được thiết kế.
- ▶ **Không sử dụng dụng cụ điện cầm tay nếu như công tắc không tắt và mở được.** Bất kỳ dụng cụ điện cầm tay nào mà không thể điều khiển được bằng công tắc là nguy hiểm và phải được sửa chữa.
- ▶ **Rút phích cắm ra khỏi nguồn điện và/hay pin ra khỏi dụng cụ điện cầm tay trước khi tiến hành bất kỳ điều chỉnh nào, thay phụ kiện, hay cất dụng cụ điện cầm tay.** Các biện pháp ngăn ngừa như vậy làm giảm nguy cơ dụng cụ điện cầm tay khởi động bất ngờ.

- ▶ **Cất giữ dụng cụ điện cầm tay không dùng tới nơi trẻ em không lấy được và không cho người chưa từng biết dụng cụ điện cầm tay hay các hướng dẫn này sử dụng dụng cụ điện cầm tay.** Dụng cụ điện cầm tay nguy hiểm khi ở trong tay người chưa được chỉ cách sử dụng.
- ▶ **Bảo quản dụng cụ điện cầm tay. Kiểm tra xem các bộ phận chuyển động có bị sai lệch hay kẹt, các bộ phận bị rạn nứt và các tình trạng khác có thể ảnh hưởng đến sự vận hành của máy. Nếu bị hư hỏng, phải sửa chữa máy trước khi sử dụng.** Nhiều tai nạn xảy ra do bảo quản dụng cụ điện cầm tay tồi.
- ▶ **Giữ các dụng cụ cất bên và sạch.** Bảo quản đúng cách các dụng cụ cất có cạnh cất bên làm giảm khả năng bị kẹt và dễ điều khiển hơn.
- ▶ **Sử dụng dụng cụ điện cầm tay, phụ kiện, đầu cài v. v., đúng theo các chỉ dẫn này, hãy lưu ý đến điều kiện làm việc và công việc phải thực hiện.** Sử dụng dụng cụ điện cầm tay khác với mục đích thiết kế có thể tạo nên tình huống nguy hiểm.

Sử dụng và bảo quản dụng cụ dùng pin

- ▶ **Chỉ được sạc pin lại với bộ nạp điện do nhà sản xuất chỉ định.** Bộ nạp điện thích hợp cho một loại pin có thể gây nguy cơ cháy khi sử dụng cho một loại pin khác.
- ▶ **Chỉ sử dụng dụng cụ điện cầm tay với loại pin được thiết kế đặc biệt dành riêng cho máy.** Sử dụng bất cứ loại pin khác có thể dẫn đến thương tật hay cháy.
- ▶ **Khi không sử dụng pin, để cách xa các vật bằng kim loại như kẹp giấy, tiền xu, chìa khóa, đinh, ốc vít hay các đồ vật kim loại nhỏ khác, thứ có thể tạo sự nối tiếp từ một đầu cực với một đầu cực khác.** Sự chập mạch của các đầu cực với nhau có thể gây bỏng hay cháy.
- ▶ **Bảo quản ở tình trạng tối, dung dịch từ pin có thể tứa ra; tránh tiếp xúc. Nếu vô tình chạm phải, hãy xối nước để rửa. Nếu dung dịch vào mắt, cần thêm sự hỗ trợ của y tế.** Dung dịch tiết ra từ pin có thể gây ngứa hay bỏng.

Bảo dưỡng

- ▶ **Đưa dụng cụ điện cầm tay của bạn đến thợ chuyên môn để bảo dưỡng, chỉ sử dụng phụ tùng đúng chủng loại để thay.** Điều này sẽ đảm bảo sự an toàn của máy được giữ nguyên.

Cảnh báo an toàn dành cho máy thổi chạy pin

- ▶ **Hãy đảm bảo những người đứng gần không bị thương do mảnh vụn văng ra.**
- ▶ **Giữ ngón tay cách xa trong lúc vận hành các lỗ của dụng cụ điện cầm tay. Vận hành máy**

38 | Tiếng Việt

thổi chỉ với vòi phun gắn kèm. Máy thổi xoay có thể làm bạn bị thương.

- ▶ **Không thổi các chất có hại cho sức khỏe, ví dụ như bụi gỗ sỏi hoặc bụi gỗ dẻ gai, bụi đá, amiăng với nhau.** Những chất này được coi là chất gây ung thư.
- ▶ **Không thổi các chất lỏng với nhau.** Chất lỏng thấm vào sẽ làm tăng nguy cơ giật điện.
- ▶ **Không để dụng cụ điện nơi bị mưa hay ẩm ướt.** Sự xâm nhập của nước vào trong mô-tơ làm tăng nguy cơ bị điện giật.
- ▶ **Tạo cho nơi làm việc được thông thoáng tốt.**
- ▶ **Trang bị thêm các thiết bị bảo hộ cá nhân, ví dụ như kính chụp và mặt nạ phòng hơi độc.** Trang bị các thiết bị bảo hộ thích hợp với hiện trạng lao động để làm giảm sự phơi nhiễm với các chất độc hại.



- ▶ **Không được tháo pin ra.** Nguy cơ bị chập mạch.



Bảo vệ pin không để bị làm nóng, ví dụ, chống để lâu dài dưới ánh nắng gay gắt, lửa, nước, và sự ẩm ướt. Sự nguy hiểm của nổ.

- ▶ **Trong trường hợp pin bị hỏng hay sử dụng sai cách, hơi nước có thể bốc ra. Hãy làm cho thông thoáng khí và trong trường hợp bị đau phải nhờ y tế chữa trị.** Hơi nước có thể gây ngứa hệ hô hấp.
- ▶ **Hãy chỉ sử dụng pin với sự kết hợp của sản phẩm Bosch của bạn.** Chỉ bằng cách này, pin sẽ được bảo vệ tránh nguy cơ quá tải.
- ▶ **Pin có thể bị hư hại bởi các vật dụng nhọn như đinh hay tuốc-nơ-vít hoặc bởi các tác động lực từ bên ngoài.** Nó có thể dẫn tới đoản mạch nội bộ và làm pin bị cháy, bốc khói, phát nổ hoặc quá nóng.

Mô Tả Sản Phẩm và Đặc Tính Kỹ Thuật



Đọc kỹ mọi cảnh báo an toàn và mọi hướng dẫn. Không tuân thủ mọi cảnh báo và hướng dẫn được liệt kê dưới đây có thể bị điện giật, gây cháy và/hay bị thương tật nghiêm trọng.

Dành sử dụng cho

Dụng cụ điện cầm tay được thiết kế để thổi các chất không có hại cho sức khỏe với nhau (ví dụ như mùn cưa, bào phôi kim loại, bụi đá, v.v.) khi chúng dồn lại

trong quá trình cưa, khoan hoặc mài. Ngoài ra, các lỗ khoan có thể được thổi sạch bằng phụ kiện phù hợp.

Dụng cụ điện cầm tay không phù hợp để thổi các vật liệu nóng, dễ cháy nổ với nhau.

Biểu trưng của sản phẩm

Sự đánh số các biểu trưng của sản phẩm là để tham khảo hình minh họa của máy trên trang hình ảnh.

- 1 Công tắc bật/tắt có chọn cấp
- 2 Tay Nắm
- 3 Pin*
- 4 Lỗ lấy khí
- 5 Vỏ bọc động cơ
- 6 Vòi ống
- 7 Núm tháo pin
- 8 Lỗ trên khớp nối phụ kiện
- 9 Ống nối dài
- 10 Vòi phun lỗ khoan
- 11 Ống chứa bụi
- 12 Móc cài
- 13 Lỗ trên ống chứa bụi

*Phụ tùng được trình bày hay mô tả không phải là một phần của tiêu chuẩn hàng hóa được giao kèm theo sản phẩm. Bạn có thể tham khảo tổng thể các loại phụ tùng, phụ kiện trong chương trình phụ tùng của chúng tôi.

Thông số kỹ thuật

Máy thổi chạy pin	GBL 18V-120	
Mã số máy	3 601 JF5 1..	
Tốc độ không tải	v/p	17000
Tốc độ dòng khí, tối đa	m/s	75
Khối lượng khí	m ³ /min	2,0
Trọng lượng theo Qui trình EPTA-Procedure 01:2014 (chuẩn EPTA 01:2014)	kg	1,4/1,68 ¹⁾
Nhiệt độ môi trường cho phép		
- trong quá trình sạc điện	°C	0...+45
- khi vận hành ²⁾ và khi lưu trữ	°C	-20...+50
Pin được khuyến dùng	GBA 18V.. GBA 18V... W	
Thiết bị nạp được giới thiệu	AL 18.. GAL 3680	
bộ nạp để xuất dành cho ắc quy cảm ứng	GAL 18... W	
Các dữ kiện kỹ thuật được xác định cho pin được giao cùng hàng hóa cung cấp.		
1) tùy vào loại pin lốc đang sử dụng		
2) hiệu suất giới hạn ở nhiệt độ <0 °C		

Máy thổi chạy pin GBL 18V-120

Thời gian hoạt động mỗi lần sạc pin		
- Cấp máy thổi I	min/Ah	9
- Cấp máy thổi II	min/Ah	5

Các dữ kiện kỹ thuật được xác định cho pin được giao cùng hàng hóa cung cấp.

- 1) tùy vào loại pin lốc đang sử dụng
- 2) hiệu suất giới hạn ở nhiệt độ <0 °C

Sự lắp vào

Nạp điện pin

► **Chỉ nên sử dụng các bộ nạp điện pin được liệt kê trong trang phụ kiện.** Chỉ có các bộ nạp điện pin này mới thích hợp với pin lithium ion dùng cho dụng cụ điện cầm tay của bạn.

Ghi Chú: Pin giao kèm máy chỉ được nạp điện một phần. Để đảm bảo pin có đầy đủ điện dung, nạp điện hoàn toàn cho pin bằng bộ nạp điện pin trước khi bạn sử dụng dụng cụ điện cho lần đầu tiên.

Để nạp, phải tháo pin ra khỏi dụng cụ điện cầm tay. Pin Lithium ion có thể nạp điện bất cứ lúc nào mà vẫn không làm giảm tuổi thọ của pin. Sự làm gián đoạn qui trình nạp điện không làm cho pin bị hư hỏng.

Pin Li-on được bảo vệ ngăn sự phóng điện quá lớn nhờ "vào Bộ phận Điện tử Bảo vệ Pin (ECP)". Nếu pin bị phóng điện, dụng cụ điện cầm tay sẽ được ngắt bởi một mạch bảo vệ.

► **Không được tiếp tục nhấn vào công tắc Tắt/Mở sau khi máy đã tự động tắt.** Có thể làm cho pin hỏng.

Pin được trang bị bộ phận kiểm soát nhiệt độ NTC, thiết bị này chỉ cho phép nạp điện trong phạm vi nhiệt độ cho phép ở giữa 0 °C và 45 °C. Tuổi thọ của pin nhờ đó mà được nâng cao.

Sự giảm thời gian hoạt động một cách rõ rệt sau khi nạp điện chỉ cho thấy rằng pin đã được sử dụng và phải được thay.

Tuân thủ các chú thích dành cho việc thải bỏ.

Tháo Pin (xem hình A1 – A2)

Pin 3 được trang bị hai lớp khóa để ngăn sao cho pin không bị rơi ra ngoài khi vó ý nhấn phải nút tháo pin 7. Cứ khi nào pin còn được lắp trong dụng cụ điện, nó vẫn được giữ nguyên vị trí nhờ vào một lò xo.

- Để tháo pin 3, nhấn nút tháo pin 7 và kéo pin lùi ra phía sau ra khỏi máy. **Không dùng cường lực.**

Lắp phụ kiện máy thổi (xem hình B1 – B3)

► **Hãy tháo pin, trước khi bạn bảo dưỡng hoặc làm sạch máy thổi, điều chỉnh thiết bị, thay phụ kiện, hoặc bảo quản máy thổi.** Biện pháp

thận trọng sẽ tránh việc khởi động máy thổi không chủ ý.

Bạn có thể xem hình minh họa về khả năng kết hợp của các phụ kiện máy thổi khác nhau.

- Gài móc cài **12** của phụ kiện vào các lỗ **8** của vỏ động cơ hoặc vào các lỗ **8** của ống nối dài **9**.
- Xoay khớp nối móc cài khoảng một phần tư vòng theo chiều kim đồng hồ.

Lắp ống chứa bụi

Khi thổi các lỗ khoan, các mùn khoan sẽ được thổi về phía người điều khiển. Do đó, nên lắp ống chứa bụi qua vòi phun lỗ khoan **10 11**.

- Gắn các lỗ **13** của ống chứa bụi **11** qua khớp nối móc cài bên ngoài **12** của vòi phun lỗ khoan **10**.
- Xoay ống chứa bụi **11** khoảng một phần tư vòng theo chiều kim đồng hồ.

Vận Hành

► **Hãy tháo pin, trước khi bạn bảo dưỡng hoặc làm sạch máy thổi, điều chỉnh thiết bị, thay phụ kiện, hoặc bảo quản máy thổi.** Biện pháp thận trọng sẽ tránh việc khởi động máy thổi không chủ ý.

Bắt Đầu Vận Hành

Tắt và Mở

Để tiết kiệm năng lượng, chỉ cho dụng cụ điện hoạt động khi sử dụng.

- Để **bật** dụng cụ điện cầm tay, hãy nhấn công tắc bật/tắt **1** sang vị trí **I** hoặc **II**.
Vị trí **I**: Thổi các vật liệu nhẹ với nhau.
Vị trí **II**: Thổi các vật liệu nặng với nhau.
- Để **tắt** hãy nhấn công tắc bật/tắt **1** cho đến khi dừng lại ở vị trí "0".

Hướng Dẫn Sử Dụng

Không được thổi bụi bắn về phía những người đang đứng gần.

Giữ dụng cụ điện cầm tay cách mặt đất khoảng 3 cm.

Không thổi các vật liệu nóng, dễ cháy nổ với nhau.

Trong quá trình "thổi", đảm bảo rằng không có xà bần/tạp chất có thể bị hút vào trong phần nhận khí **4**.

Bảo Dưỡng và Bảo Quản

Bảo Dưỡng Và Làm Sạch

► **Hãy tháo pin, trước khi bạn bảo dưỡng hoặc làm sạch máy thổi, điều chỉnh thiết bị, thay phụ kiện, hoặc bảo quản máy thổi.** Biện pháp thận trọng sẽ tránh việc khởi động máy thổi không chủ ý.

40 | Tiếng Việt

- **Để được an toàn và máy hoạt động đúng chức năng, luôn luôn giữ máy và các khe thông gió được sạch.**

Dịch Vụ Sau Khi Bán và Dịch Vụ Ứng Dụng

Bộ phận phục vụ hàng sau khi bán của chúng tôi sẽ trả lời các câu hỏi liên quan đến việc bảo trì và sửa chữa các sản phẩm cũng như các phụ tùng thay thế của bạn. Hình ảnh chi tiết và thông tin phụ tùng thay thế có thể tìm hiểu theo địa chỉ dưới đây:

www.bosch-pt.com

Bộ phận dịch vụ ứng dụng Bosch sẽ hân hạnh trả lời các câu hỏi liên quan đến các sản phẩm của chúng tôi và linh kiện của chúng.

Trong tất cả các phản hồi và đơn đặt phụ tùng, xin vui lòng luôn luôn nhập số hàng hóa 10 chữ số theo nhãn của hàng hóa.

Việt Nam

Công ty Trách Nhiệm Hữu Hạn Robert Bosch Việt Nam, PT/SVN
Tầng 10, 194 Golden Building
473 Điện Biên Phủ
Phường 25, Quận Bình Thạnh
Thành Phố Hồ Chí Minh
Việt Nam
Tel.: (08) 6258 3690 Ext 413
Fax: (08) 6258 3692
hie.u.lagia@vn.bosch.com
www.bosch-pt.com

Vận Chuyển

Pin có chứa lithium-ion là đối tượng phải tuân theo các qui định của Pháp Luật về Hàng Hóa Nguy Hiểm. Người sử dụng có thể vận chuyển pin bằng đường bộ mà không cần có thêm yêu cầu nào khác. Khi được vận chuyển thông qua bên thứ ba (vd. vận chuyển bằng đường hàng không hay đại lý giao nhận), phải tuân theo các yêu cầu đặc biệt về đóng gói và dán nhãn. Để chuẩn bị cho món hàng sẽ được gửi đi, cần tham khảo ý kiến của chuyên gia về vật liệu nguy hiểm.

Chỉ gửi pin đi khi vỏ ngoài không bị hư hỏng. Dán băng keo hay che kín các điểm tiếp xúc để hở và đóng gói pin cách sao cho pin không thể xê dịch khi nằm trong bao bì được.

Cũng xin vui lòng tuân theo qui định chi tiết có thể có của mỗi quốc gia.

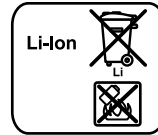
Thải bỏ



Máy, pin nạp điện lại được, phụ kiện và bao bì phải được phân loại để tái chế theo hướng thân thiện với môi trường.

Không được vứt bỏ dụng cụ điện, pin/pin nạp điện lại được vào chung với rác sinh hoạt!

Pin lốc/pin:



Li-ion:

Xin vui lòng tuân thủ theo thông tin dưới đây "Vận Chuyển", trang 40.

Được quyền thay đổi nội dung mà không phải thông báo trước.

ملاحظات شغل

لا تتفخ الانساختات أبدا في اتجاه أشخاص واقفين بالجوار. حافظ دائما على مسافة 3 سم بين العدة الكهربائية والأرض. لا تتفخ وتجمع المواد الساخنة أو القابلة للاحتراق أو الانفجار. احرص على عدم السماح لمدخل الهواء 4 بشفط الأوساخ أثناء عملية التفخ.

الصيانة والخدمة

الصيانة والتنظيف

- ◀ أخرج المرمك قبل صيانة نافخ الغبار، أو تنظيفه، أو إجراء أوضاع الضبط أو تغيير قطع التوابع أو تخزين نافخ الغبار. تمنع إجراءات الاحتياط هذه تشغيل نافخ الغبار بشكل غير مقصود.
- ◀ حافظ دائما على نظافة العدة الكهربائية وشقوق التهوية للعمل بشكل جيد وآمن.

خدمة الزبائن ومشورة الاستخدام

يجيب مركز خدمة الزبائن على أسئلتكم بصدد تصليح وصيانة المنتج وأيضا بما يخص قطع الغيار. يعثر على الرسوم الممددة وعلى المعلومات عن قطع الغيار بموقع:

www.bosch-pt.com

سيكون من دواعي سرور فرقة مشورة الاستخدام بشركة بوش أن تساعدكم بخصوص الأسئلة عن منتجاتنا وتوابعها. يلزم ذكر رقم الصنف ذو الخانات العشر وفقا للوحة صنع المنتج عند إرسال أية استفسارات أو طلبيات قطع غيار. يرجى التوجه إلى التاجر المختص بما يتعلّق بأمر الضمان والتصليح وتأمين قطع الغيار.

المغرب

اوتبرو

ر3، زنقة الملازم محمد محروس

الدار البيضاء - 20300 - المغرب

الهاتف: +212 (0) 522 400 615 / +212 (0) 522 400 409

البريد الإلكتروني: service@outipro.ma

الجزائر

سيستال

المنطقة الصناعية احداتن

بجاية 06000 - الجزائر

الهاتف: +213 (0) 982 400 992

الفاكس: +213 (0) 34201569

البريد الإلكتروني: sav@siestal-dz.com

تونس

صوتال

م.ص. المجمع سان كوبان رقم 99-25

2014. مكرين رياض تونس

الهاتف: +216 71 428 770

الفاكس: +216 71 354 175

البريد الإلكتروني: sotel2@planet.tn

مصر

يونيمار

رقم 20 مركز الخدمات

التجمع الاول - القاهرة الجديدة - مصر

الهاتف: +2 02 224 76091 -95 / +2 02 224 78072-73

لفاكس: +2 022 2478075

البريد الإلكتروني: boschegypt@unimaregypt.com

النقل

تخضع مراكم إيونات الليثيوم المركبة لأحكام قانون المواد الخطيرة. يسمح للمستخدم أن يقوم بنقل المراكم على الطرقات دون التقيد بأية شروط إضافية. عندما يتم إرسالها عن طريق طرف آخر (مثلا: الشحن الجوي أو شركة شحن)، يتوجب التقيد بشروط خاصة بصدد التغليف والتعليم. ينبغي استشارة خبير متخصص بنقل المواد الخطيرة عندما يرغب بتحضير القطعة المرغوب إرسالها في هذه الحالة.

ارسل المراكم فقط إن كان هيكلا سليما. احبب الملامسات المفتوحة بلاصقات وعلف المرمك بحيث لا يتحرك في الطرد.

يرجى أيضا مراعاة الأحكام الوطنية الإضافية إن وجدت.

التخلص من العدة الكهربائية

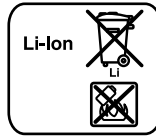
يجب التخلص من العدة الكهربائية والمركم والتوابع والتغليف بطريقة منصفة بالبيئة عن طريق النفايات القابلة لإعادة التصنيع.

لا ترم عدد الكهربية والمراكم/البطاريات في النفايات المنزلية!

المراكم/البطاريات:

إيونات الليثيوم:

يرجى مراعاة الملاحظات في فقرة "النقل"، الصفحة 41.



نحتفظ بحق إدخال التعديلات.

البيانات الفنية

نافخ الغبار العامل
بمركم

رقم الصنف	3 601 JF5 1..	GBL 18V-120
عدد الدوران اللامحلي	17000	دقيقة ¹
سرعة تيار الهواء القصوى	70	م/ثا
حجم الهواء	2,0	م ³ /د
الوزن حسب EPTA-Procedure 01:2014	1,4/1,68 ¹⁾	كغ
درجة الحرارة المحيطة المسموح بها	+45...0	°C
- عند الشحن - عند التشغيل ²⁾ عند التخزين	+50...-20	°C
المراكم الموصى بها	GBA 18V.. GBA 18V... W	
أجهزة الشحن الموصى بها	AL 18.. GAL 3680	
أجهزة الشحن الموصى بها للمراكم الحثية	GAL 18... W	
مدة التشغيل بشحنة مركم واحدة		دقيقة/ أمبير ساعة
- درجة المروحة I	9	
- درجة المروحة II	5	دقيقة/ أمبير ساعة

تم استنتاج البيانات الفنية مع المركم المرفق بإطار التسليم.

(1) حسب المركم المستخدم

(2) قدرة ممدودة في درجات الحرارة > 0 °C

لقد تم تجهيز المركم بمراقب حراري NTC والذي يسمح بالشمع فقط ضمن مجال حراري يقع بين صفر درجة مئوية و 45 درجة مئوية. ويؤدي ذلك إلى فترة صلاحية طويلة للمركم.

وتدل فترة صلاحية تشغيل أقصر بوضوح بعد الشحن، إلى أن المركم قد استهلك وأنه توجب استبداله. تراعى الملاحظات بصدد التخلص من العدد.

نزع المركم (راجع الصور A1-A2)

يمتاز المركم 3 بدرجتي إقفال اثنتين والتي عليها أن تمنع سقوط المركم للخارج في حال كبس زر فك إقفال المركم 7 بشكل غير مقصود. يحافظ على ارتكاز المركم بواسطة نابض مادام مركبا في العدة الكهربائية.

- لنزع المركم 3 يضغط زري فك الإقفال 7 ويسحب المركم نحو الخلف إلى خارج العدة الكهربائية. لا تستعمل العنف أثناء ذلك.

تركيب توابع نافخ الغبار (راجع الصور B1-B3)

◀ أخرج المركم قبل صيانة نافخ الغبار، أو تنظيفه، أو إجراء أوضاع الضبط أو تغيير قطع التوابع أو تخزين نافخ الغبار. تمنع إجراءات الاحتياط هذه تشغيل نافخ الغبار بشكل غير مقصود.

يمكن معرفة إمكانيات التركيب المختلفة لتوابع نافخ الغبار المتنوعة من الشكل.

- أدخل القفل المسماري 12 للتابع بشكل ثابت في التجاويف 8 الخاصة بجسم الموتور أو في التجاويف 8 الخاصة بأنبوب التمدويل 9.

- أدر القفل المسماري بمقدار ربع لفة في اتجاه حركة عقارب الساعة.

تركيب أنبوب تجميع الغبار

عن تنظيف تجاويف الثقب عن طريق النفخ بتناير بقايا الثقب في اتجاه المستخدم. لذلك ينصح بتركيب أنبوب تجميع الغبار 11 فوق فوهة تجويف الثقب 10.

- أدخل تجاويف 13 أنبوب تجميع الغبار 11 فوق القفل المسماري 12 الخاص بتجويف الثقب 10.

- أدر أنبوب تجميع الغبار 11 بمقدار ربع لفة في اتجاه عقارب الساعة.

التشغيل

◀ أخرج المركم قبل صيانة نافخ الغبار، أو تنظيفه، أو إجراء أوضاع الضبط أو تغيير قطع التوابع أو تخزين نافخ الغبار. تمنع إجراءات الاحتياط هذه تشغيل نافخ الغبار بشكل غير مقصود.

بدء التشغيل

التشغيل والإطفاء

شغل العدة الكهربائية فقط عندما تستخدمها، من أجل توفير الطاقة.

- لغرض تشغيل العدة الكهربائية اضغط مفتاح التشغيل/الإيقاف 1 على الوضع I أو II.

الوضع I: إزالة الغامات الخفيفة عن طريق النفخ.

الوضع II: إزالة الغامات الثقيلة عن طريق النفخ.

- من أجل إطفاء العدة الكهربائية يضغط مفتاح التشغيل والإطفاء 1 إلى الوضع "0" إلى حد التصادم.

التركيب

شحن المركم

◀ استخدم فقط أجهزة الشحن المذكورة على صفحة التوابع. إن أجهزة الشحن هذه دون غيرها هي التي تم ملائمتها مع مركم إيونات الليثيوم المستخدم في عدتك الكهربائية.

ملاحظة: يتم تسليم المركم وهو بحالة شحن جزئي.

يتوجب شحن المركم في تجهيزه الشحن بشكل كامل قبل الاستعمال الأول لضمان قدرة أداء المركم الكاملة.

لشحن المركم يجب إخراجه من العدة الكهربائية.

يمكن أن يتم شحن مركم أيونات الليثيوم في أي وقت، دون الحد من فترة صلاحيته. لا يضر قطع عملية الشحن بالمركم.

لقد تم وقاية مركم إيونات الليثيوم من التفريغ العميق بواسطة "واقية الخلايا الإلكترونية (ECP)". يتم إطفاء العدة الكهربائية بواسطة قارنة وقائية عندما يفرغ المركم.

◀ لا تتابع الضغط على مفتاح التشغيل والإطفاء بعد انطفاء العدة الكهربائية بشكل آلي. قد يتلف المركم.

- ◀ لا تفتح المركم. يتشكل خطر تقصير الدارة الكهربائية.
- ◀ اهم المركم من الحرارة، بما فيه التعرض لأشعة الشمس باستمرار ومن النار والماء والرطوبة. قد يتشكل خطر الانفجار.
- ◀ قد تنطلق الأبخرة عند إتلاف المركم واستخدامه بطريقة غير ملائمة. أمن توفر الهواء النقي وراجع الطبيب إن شعرت بالآلم. قد تهيج هذه الأبخرة المجاري التنفسية.
- ◀ استخدم المركم فقط مع عدتك الكهربائية Bosch.
- ◀ يتم وقاية المركم من فرط التحميل الخطير بهذه الطريقة فقط دون غيرها.
- ◀ يمكن أن يتعرض المركم لأضرار من خلال الأشياء المدببة مثل المسامير والمفكات أو من خلال تأثير القوى الخارجية. وقد يؤدي هذا إلى تقصير الدارة الكهربائية الداخلية واحترق المركم أو خروج الأدخنة منه أو انفجاره وتعرضه لسخونة مفرطة.

وصف المنتج والأداء

- ◀ اقرأ جميع الملاحظات التحذيرية والتعليمات. إن ارتكاب الأخطاء عند تطبيق الملاحظات التحذيرية والتعليمات قد يؤدي إلى أضرار خطيرة، إلى نشوب الحرائق و/أو الإصابة بجروح خطيرة.



الاستعمال المخصص

- ◀ العدة الكهربائية مصممة لإزالة الغامات غير الضارة بالصحة عن طريق النفخ (على سبيل المثال، النشارة الخشبية، النشارة المعدنية، غبار الحجارة وما شابه) من مكان تراكمها أثناء عملية النشر أو الثقب أو التجليغ. علاوة على ذلك يمكن تنظيف تجاويف الثقب بالنفخ عن طريق التوابيع المناسبة.
- ◀ العدة الكهربائية غير مخصصة لتنظيف الغامات الساخنة أو القابلة للاشتعال أو الانفجار عن طريق النفخ.

الأجزاء المصورة

- ◀ يستند ترقيم الأجزاء المصورة إلى رسوم العدة الكهربائية الموجودة في صفحة الرسوم التخطيطية.

- 1 مفتاح التشغيل والإطفاء مع اختيار الدرجات
- 2 مقبض يدوي
- 3 المركم*
- 4 مدخل الهواء
- 5 هيكل المحرك
- 6 منفث
- 7 زر فك إقفال المركم
- 8 تجويف وصلة التوابيع
- 9 ماسورة تطويل
- 10 فوهة تجويف الثقب
- 11 أنبوب تجميع الغبار
- 12 القفل المسماري
- 13 تجويف أنبوب تجميع الغبار

* لا يتضمن إطار التوريد الاعتيادي التوابيع المصورة أو الموصوفة. يعثر على التوابيع الكاملة في برنامجنا للتوابيع.

- ◀ حافظ على إبقاء عدد القطع نظيفة وحادة. إن عدد القطع ذات حواف القطع المادة التي تم صيانتها بعناية تتكلم بشكل أقل ويمكن توجيهها بشكل أسير.
- ◀ استخدم العدد الكهربائية والتوابيع وعدد الشغل وإلخ. حسب هذه التعليمات. تراعى أثناء ذلك شروط الشغل والعمل المراد تنفيذه. استخدام العدد الكهربائية لغير الأشغال المخصصة لأجلها قد يؤدي إلى حدوث الحلات الخطيرة.

- ◀ حسن معاملة واستخدام العدد المزودة بمركم
- ◀ اشحن المراكم فقط في أجهزة الشحن التي يُنصح باستخدامها من طرف المنتج. يعتم خطر نشوب الحرائق بأجهزة الشحن المخصصة لنوع معين من المراكم إن تم استخدامها مع نوع آخر من المراكم.
- ◀ استخدم بالعدد الكهربائية فقط المراكم المخصصة لذلك. قد يؤدي استخدام المراكم الأخرى إلى الإصابات وإلى خطر نشوب الحرائق.
- ◀ حافظ على إبعاد المركم الذي لا يتم استعماله عن مشابك الورق وقطع النقود المعدنية والمفاتيح والمسامير واللواب أو غيرها من الأغراض المعدنية الصغيرة التي قد تقوم بتوصيل الملامسين ببعضهما البعض. قد يؤدي تقصير الدارة الكهربائية بين ملامسي المركم إلى الاحتراق أو إلى اندلاع النار.
- ◀ قد يتسرب السائل من المركم عند سوء الاستعمال. تجنب ملامسته. اشطفه بالماء في حال ملامسته صدفة. إن وصل السائل إلى العينين، فراجع الطبيب إضافة إلى ذلك. قد يؤدي سائل المركم المتسرب إلى تهيج البشرة أو إلى الاحتراق.

الخدمة

- ◀ اسمح بتصليح عدتك الكهربائية فقط من قبل العمال المتخصصين فقط باستعمال قطع الغيار الأصلية. يؤمن ذلك المحافظة على أمان الجهاز.

تعليمات الأمان لنافخ الغبار بمركم

- ◀ احرص على عدم إصابة الأشخاص المتواجدين بالجوار بسبب الأجسام الخارجية المتطايرة.
- ◀ أبعد أصابعك عن فتحات العدة الكهربائية أثناء التشغيل. لا تقم بتشغيل نافخ الغبار إلا والفوهة مركبة. قد يتسبب دوران المروحة في تعرضك للإصابة.
- ◀ لا تقم بإزالة خامات مضرّة بالصحة مثل غبار خشب الزان أو خشب البلوط أو غبار الحجارة أو الإسبستوس عن طريق النفخ. حيث تعتبر هذه المواد من مسببات مرض السرطان.
- ◀ لا تتفخ مواد سائلة. يزداد خطر الصدمة الكهربائية إذا تسربت السوائل إلى داخل نافخ الغبار.
- ◀ حافظ على إبعاد العدة الكهربائية عن المطر والرطوبة. إن تسرب الماء إلى داخل المحرك يزيد من خطر الصدمات الكهربائية.
- ◀ أمن تهوية جيدة في مكان العمل.
- ◀ ارتد عتاد وقاية شخصي إضافي كالنظارات الواقية والقناع الوقائي للتنفس. إن ارتداء عتاد الوقاية للظروف المعينة يقلل التعرض للمواد الخطيرة.



أمان الأشخاص

- ◀ **كن يقظاً وانتبه إلى ما تفعله وقم بالعمل بواسطة العدة الكهربائية بتعقل.** لا تستخدم عدة كهربائية عندما تكون متعب أو عندما تكون تحت تأثير المخدرات أو الكحول أو الأدوية. عدم الانتباه للحظة واحدة عند استخدام العدة الكهربائية قد يؤدي إلى إصابات خطيرة.
- ◀ **ارتد عتاد الوقاية الخاص وارتد دائماً نظارات واقية.** يحد ارتداء عتاد الوقاية الخاص، كقناع الوقاية من الغبار وأحذية الأمان الواقية من الانزلاق والخوذ أو واقية الأذنين، حسب نوع واستعمال العدة الكهربائية، من خطر الإصابة بجروح.
- ◀ **تجنب التشغيل بشكل غير مقصود.** تأكد من كون العدة الكهربائية مطفأة قبل وصلها بإمداد التيار الكهربائي و/أو بالمركم، وقبل رفعها أو حملها. إن كنت تضع إصبعك على المفتاح أثناء حمل العدة الكهربائية أو إن وصلت الجهاز بالشبكة الكهربائية عندما يكون قيد التشغيل، فقد يؤدي ذلك إلى حدوث الحوادث.
- ◀ **انزع عدد الضبط أو مفتاح الربط قبل تشغيل العدة الكهربائية.** قد تؤدي العدة أو المفتاح المتواجد في جزء دوار من الجهاز إلى الإصابة بجروح.
- ◀ **تجنب أوضاع الجسد الغير طبيعية.** قف بأمان وحافظ على توازنك دائماً، سيسمح لك ذلك من السيطرة على الجهاز بشكل أفضل في المواقف الغير متوقعة.
- ◀ **ارتد ثياب مناسبة.** لا ترتد الثياب الفضفاضة أو الملبي. حافظ على إبقاء الشعر والثياب والقفازات على بعد عن أجزاء الجهاز المتحركة. قد تشبك الثياب الفضفاضة والملبي والشعر الطويل بالأجزاء المتحركة.
- ◀ **إن جاز تركيب تجهيزات شفط وتجميع الغبار، فتأكد من أنها موصولة وبأنه يتم استخدامها بشكل سليم.** قد يقلل استخدام تجهيزات لشفط الأعبرة من المخاطر الناتجة عن الأعبرة.
- حسن معاملة واستخدام العدد الكهربائية**
 - ◀ **لا تفرط بتحميل الجهاز.** استخدم لتنفيذ أشغالك العدة الكهربائية المخصصة لذلك، إنك تعمل بشكل أفضل وأكثر أماناً بواسطة العدة الكهربائية الملائمة في مجال الأداء المذكور.
 - ◀ **لا تستخدم العدة الكهربائية إن كان مفتاح تشغيلها تالف.** العدة الكهربائية التي لم تعد تسمح بتشغيلها أو بإطفاؤها خطيرة ويجب أن يتم تصليحها.
 - ◀ **اسحب القابض من المقبس و/أو انزع المركم قبل ضبط الجهاز وقبل استعمال قطع التوايح أو قبل وضع الجهاز جانباً.** تمنع إجراءات الاحتياط هذه تشغيل العدة الكهربائية بشكل غير مقصود.
 - ◀ **احتفظ بالعدد الكهربائية التي لا يتم استخدامها بعيداً عن منال الأطفال.** لا تسمح باستخدام العدة الكهربائية لمن لا خبرة له بها أو لمن لا يقرأ تلك التعليمات. العدد الكهربائية خطيرة إن تم استخدامها من قبل أشخاص دون خبرة.
 - ◀ **اعتن بالعدة الكهربائية بشكل جيد.** تفحص عما إذا كانت أجزاء الجهاز المتحركة تعمل بشكل سليم وبأنها غير مستعصية عن الحركة أو إن كانت هناك أجزاء مكسورة أو تالفة لدرجة تؤثر فيها على حسن أداء العدة الكهربائية. ينبغي تصليح هذه الأجزاء التالفة قبل إعادة تشغيل الجهاز. الكثير من الحوادث مصدرها العدد الكهربائية التي تم صيانتها بشكل رديء.

عربي

تعليمات الأمان

ملاحظات تحذيرية عامة للعدد الكهربائية

- ⚠ **تحذير** اقرأ جميع الملاحظات التحذيرية والتعليمات. إن ارتكاب الأخطاء عند تطبيق الملاحظات التحذيرية والتعليمات قد يؤدي إلى الصدمات الكهربائية، إلى نشوب الحرائق و/أو الإصابة بجروح خطيرة. احتفظ بجميع الملاحظات التحذيرية والتعليمات للمستقبل.
- يقصد بمصطلح "العدة الكهربائية" المستخدم في الملاحظات التحذيرية، العدد الكهربائية الموصولة بالشبكة الكهربائية (بواسطة كابل الشبكة الكهربائية) وأيضاً العدد الكهربائية المزودة بمركم (دون كابل الشبكة الكهربائية).
- الأمان بمكان الشغل**
 - ◀ **حافظ على نظافة وحسن إضاءة مكان شغلك.** الفوضى في مكان الشغل ومجالات العمل الغير مضاءة قد تؤدي إلى حدوث الحوادث.
 - ◀ **لا تشغل بالعدة الكهربائية في محيط معرض لخطر الانفجار والذي تتوفر فيه السوائل أو الغازات أو الأعبرة القابلة للاشتعال.** العدد الكهربائية تشكل الشر الذي قد يتطاير، فيشعل الأعبرة والأبخرة.
 - ◀ **حافظ على بقا الأطفال وغيرهم من الأشخاص على بعد عندما تستعمل العدة الكهربائية.** قد تفقد السيطرة على الجهاز عند التلهي.
- الأمان الكهربائي**
 - ◀ **يجب أن يتلائم قابس وصل العدة الكهربائية مع المقبس.** لا يجوز تغيير القابض بأي حال من الأحوال. لا تستعمل القوابس المهيأة مع العدد الكهربائية المؤرضة تأريض وقائي. تخفّف القوابس التي لم يتمّ تغييرها والمقابس الملائمة من خطر الصدمات الكهربائية.
 - ◀ **تجنب ملامسة السطوح المؤرضة كالأنياب ورادياتورات التدفئة والمدافئ أو البرادات بواسطة جسمك.** يزداد خطر الصدمات الكهربائية عندما يكون جسمك مؤرض.
 - ◀ **أبعد العدة الكهربائية عن الأمطار أو الرطوبة.** يزداد خطر الصدمات الكهربائية إن تسرب الماء إلى داخل العدة الكهربائية.
 - ◀ **لا تسيء استعمال الكابل لحمل العدة الكهربائية أو تعليقها أو لسحب القابض من المقبس.** حافظ على إبعاد الكابل عن الحرارة والزيت والمواف الحادة أو عن أجزاء الجهاز المتحركة. تزيد الكابلات التالفة أو المتشابكة من خطر الصدمات الكهربائية.
 - ◀ **استخدم فقط كابلات التمديد الصالحة للاستعمال الخارجي أيضاً عندما تشغل بالعدة الكهربائية في الخلاء.** يخفض استعمال كابل تمديد مخصص للاستعمال الخارجي من خطر الصدمات الكهربائية.
 - ◀ **إن لم يكن بالإمكان تجنب تشغيل العدة الكهربائية في الأجواء الرطبة، فاستخدم مفتاح للوقاية من التيار المتخلف.** إن استخدام مفتاح للوقاية من التيار المتخلف يقلل خطر الصدمات الكهربائية.

www.bosch-pt.com

تیم مشاور خدمات پس از فروش شرکت بوش با کمال میل به سئوالات شما در باره خرید، طرز استفاده و تنظیم محصولات و متعلقات پاسخ میدهد.

برای هرگونه سؤال و یا سفارش ابزار یدکی و متعلقات، حتماً شماره فنی ده رقمی کالا را مطابق برچسب روی ابزار برقی اطلاع دهید.

برای استفاده از گارانتی، تعمیر دستگاه و تهیه ابزار یدکی فقط به افراد متخصص مراجعه کنید.

حمل دستگاه

باتریهای لیتیوم-یونی تابع مقررات حمل کالاهای پر خطر می باشند. کاربرد می تواند باتریها را بدون استفاده از روکش در خیابان حمل کند.

در صورت ارسال توسط شخص ثالث (مانند: حمل و نقل هوایی یا زمینی) باید تمهیدات مربوط به بسته بندی و علامتگذاری مورد توجه قرار گیرد. در اینصورت باید حتماً جهت آماده سازی قطعه ارسالی به کارشناس حمل کالاهای پر خطر مراجعه کرد.

باتریها را فقط در صورتی ارسال کنید که بدنه آنها آسیب ندیده باشد. اتصالات (کنتاکتهای) باز را ببوشانید و باتری را طوری بسته بندی کنید که در بسته بندی تکان نخورد. در این باره لطفاً به مقررات و آیین نامه های ملی توجه کنید.

از رده خارج کردن دستگاه

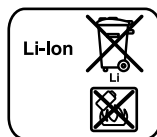
ابزارهای برقی، باتری ها، متعلقات و بسته بندی ها، باید طبق مقررات حفظ محیط زیست از رده خارج و بازیافت شوند.

ابزار برقی و باتری ها/باتری های قابل شارژ را داخل زباله دان خانگی نیندازید!

باتری ها:

لیتیوم-یونی (Li-Ion):

لطفاً به تذکرات میحت «حمل دستگاه»، صفحه 45 توجه کنید.



حق هرگونه تغییری محفوظ است.

نصب لوله جمع کننده گرد و غبار

هنگام باد زدن سوراخهای مته، براده یا تراشه ها به طرف کاربر پراکنده می شوند. از این رو توصیه می شود که روی نازل سوراخ مته 10 لوله جمع کننده گرد و غبار 11 را نصب کنید.

- شیارهای 13 لوله جمع کننده گرد و غبار 11 را روی درب پیچی 12 نازل سوراخ مته 10 قرار دهید.

- لوله جمع کننده گرد و غبار 11 را به مقدار یک چهارم در جهت عقربه های ساعت بچرخانید.

طرز کار با دستگاه

◀ قبل از تمیز کردن، انجام تنظیمات، تعویض متعلقات یا کنار گذاشتن بادزن، باتری را جدا کنید. رعایت این اقدامات پیشگیری ایمنی از راه افتادن ناخواسته بادزن جلوگیری می کند.

راه اندازی و نحوه کاربرد دستگاه

نحوه روشن و خاموش کردن

جهت صرفه جویی در انرژی، ابزار برقی را فقط وقتی روشن کنید که می خواهید از آن استفاده کنید.

- برای روشن کردن ابزار برقی کلید قطع و وصل 1 را به حالت I یا II فشار دهید.

حالت I: باد زدن مواد سبک.

حالت II: باد زدن مواد سنگین.

- برای خاموش کردن ابزار برقی، کلید قطع و وصل 1 را تا نقطه ایست در موقعیت «0» فشار دهید.

راهنمایی های عملی

آلودگی ها را هرگز در جهت افراد نزدیک به خود باد نزنید.

ابزار برقی را هنگام کار همیشه به مقدار 3 سانتیمتر بالای زمین نگهدارید.

مواد داغ، قابل اشتعال یا انفجار را باد ندهید.

توجه داشته باشید که در محل ورود هوا 4، در حین دمندگی امکان نفوذ و مکش آلودگی وجود نداشته باشد.

مراقبت و سرویس

مراقبت، تعمیر و تمیز کردن دستگاه

◀ قبل از تمیز کردن، انجام تنظیمات، تعویض متعلقات یا کنار گذاشتن بادزن، باتری را جدا کنید. رعایت این اقدامات پیشگیری ایمنی از راه افتادن ناخواسته بادزن جلوگیری می کند.

◀ ابزار الکتریکی و شیارهای تهویه آنرا تمیز نگاه دارید، تا ایمنی شما در کار تضمین گردد.

خدمات پس از فروش و مشاوره با مشتریان

مشتریان

دفتر خدمات پس از فروش به سئوالات شما در باره تعمیرات، سرویس و همچنین قطعات یدکی و متعلقات پاسخ خواهد داد. تصاویر و اطلاعات در باره قطعات یدکی و متعلقات را میتوانید در سایت نامبرده زیر جستجو نمایید:

اجزاء دستگاہ

شماره های اجزاء دستگاہ که در تصویر مشاهده میشود، مربوط به شرح ابزار برقی می باشد که تصویر آن در این دفترچه آمده است.

- 1 کلید قطع و وصل چند حالتہ
- 2 دستہ/دستگیرہ
- 3 باتری*
- 4 محل ورود هوا
- 5 محفظہ موتور
- 6 نازل (افشانک)
- 7 دکمہ فشاری آزاد کننده باتری
- 8 شیار اتصال متعلقات
- 9 لولہ ی اضافی
- 10 نازل سوراخ متہ
- 11 لولہ جمع آوری گرد و غبار
- 12 درب پیچی
- 13 شیار لولہ جمع آوری گرد و غبار

* کلیہ متعلقاتی کہ در تصویر و یا در متن آمده است، بطور معمول همراه دستگاہ ارائه نمی شود. لطفاً لیست کامل متعلقات را از فہرست برنامه متعلقات اقتباس نمایند.

مشخصات فنی

بادزن شارژی		GBL 18 V-120
شمارہ فنی		3 601 JF5 1..
سرعت در حالت آزاد	min ⁻¹	17000
سرعت جریان باد، حداکثر	m/s	70
حجم هوا	m ³ /min	2,0
وزن مطابق استاندارد EPTA-Procedure 01:2014	kg	1,4/1,68 ¹⁾
دمای مجاز محیط	°C	+45...0
- ہنگام شارژ	°C	+50...-20
- ہنگام عملکرد ²⁾ و ہنگام نگہداری		
باتری های مورد توصیه		GBA 18V.. GBA 18V... W
شارژرہای مورد توصیه		AL 18.. GAL 3680
شارژرہای توصیه شدہ برای باتریہای القایی		GAL 18... W
مدت زمان کار در ہر شارژ باتری		
- درجہ بادزنی I	min/Ah	9
- درجہ بادزنی II	min/Ah	5

اطلاعات فنی طبق باتری ارسالی محاسبہ شدہ اند.

1) بستہ بہ نوع باتری کاربردی

2) توان محدود برای دمای >0°C

نصب

نحوہ شارژ کردن باتری

◀ **ہموارہ از شارژرہای مطابق با مندرجات صفحہ مربوط بہ متعلقات ابزارہای شارژی استفادہ کنید.**
تنہا این دستگاہ های شارژ با باتری های لیتیوم-یونی (Li-Ion) ابزار برقی شما منطبق میباشند.

توجہ: باتری دستگاہ با شارژ اولیه ارسال میشود. برای دست یافتن بہ توان کامل باتری، قبل از بکار گیری آن برای اولین بار باید شارژ باتری بطور کامل در دستگاہ شارژ تکمیل شود.

باتری بایستی جهت شارژ از ابزار برقی بیرون آورده شود. باتری های لیتیوم-یونی (Li-Ion) را میتوان ہمہ وقت شارژ نمود، بدون اینکه از طول عمر آن کاستہ شود. قطع کردن جریان شارژ آسیبی بہ باتری نمیرساند.

باتری لیتیوم-یونی از طریق «Electronic Cell Protection (ECP)» در مقابل خالی شدن کامل محافظت می شود. در صورت خالی بودن باتری ابزار برقی بوسیله کلید حفاظتی خاموش می شود.

◀ **پس از خاموش شدن اتوماتیک ابزار برقی، از فشار دادن مجدد کلید قطع و وصل خودداری کنید.** این میتواند باعث آسیب دیدن باتری شود.

باتری مجهز بہ یک کنترل کننده درجہ حرارت NTC می باشد کہ آن شارژ شدن باتری را فقط در دمای مابین 0°C و 45°C سانتیگراد ممکن می سازد. بہ این ترتیب بہ طول عمر باتری افزودہ می شود.

افت قابل توجہ مدت زمان کارکرد باتری کہ تازہ شارژ شدہ است، نمایانگر آن است کہ باتری فرسودہ و مستعمل شدہ و باید تعویض شود.

بہ نکات مربوط بہ نموہ از رده خارج کردن باتری توجہ کنید.

نحوہ برداشتن باتری (رجوع شود بہ تصاویر A1-A2)

باتری 3 دارای دو مرحلہ قفل میباشد کہ این قفلها مانع بیرون افتادن باتری در اثر فشار ناخواستہ بر روی دکمہ آزاد کننده قفل 7 میشوند. تا زمانی کہ باتری در داخل ابزار برقی قرار داشتہ باشد، آن باتری توسط یک فنر در حالت مناسب نگہداری میشود.

- برای برداشتن بیرون آوردن باتری 3، دکمہ آزاد کننده 7 قفل باتری را فشار بدہید و با کشیدن باتری بطرف عقب، آنرا از ابزار برقی بیرون آورید. **برای این منظور از اعمال فشار خود داری کنید.**

نصب متعلقات بادزن

(رجوع کنید بہ تصاویر B1-B3)

◀ **قبل از تمیز کردن، انجام تنظیمات، تعویض متعلقات یا کنار گذاشتن بادزن، باتری را جدا کنید.** رعایت این اقدامات پیشگیری ایمنی از راه افتادن ناخواستہ بادزن جلوگیری می کند.

موارد ممکن ترکیب اجزاء متعلقات بادزن را از تصویر بگیرد.

- درب پیچی 12 متعلقات را محکم در شیار 8 بدنہ موتور یا در شیارہای 8 لولہ رابط 9 قرار دہید.

- درب پیچی را بہ مقدار یک چہارم چرخش در جهت عقربہ های ساعت بچرخانید.

◀ انگشتان خود را هنگام کار از سوراخهای ابزار برقی دور نگهدارید. بادزن را تنها با نازل نصب شده به کار برید. فن در حال چرخش ممکن است شما را مجروح کند.

◀ از باد زدن اجسامی که مواد مضر برای سلامتی تولید می کنند، مانند گرد و غبار چوب درخت بلوط و راش، گرد و غبار سنگ و آزیست، خودداری کنید. این مواد سرطانزا هستند.

◀ هیچ گونه از مایعات را باد نزنید. نفوذ مایعات خطر برق گرفتگی را افزایش می دهد.

◀ ابزار برقی را در معرض باران و رطوبت قرار ندهید. نفوذ آب به داخل موتور دستگاه، خطر برق گرفتگی را افزایش می دهد.

◀ مراقب باشید که محل کار شما از تهویه کافی برخوردار باشد.

مضافاً از تجهیزات ایمنی شخصی، از جمله از عینک ایمنی و ماسک ایمنی استفاده کنید. استفاده از تجهیزات ایمنی متناسب با نوع کاربرد ابزاربرقی، خطرات منتج از در معرض مواد مضر قرار گرفتن را کاهش می دهد.



◀ باتری را باز نکنید. خطر اتصال کوتاه وجود دارد.

باتری را در برابر حرارت، از جمله در برابر تابش مداوم خورشید و همچنین در برابر آتش، آب و رطوبت محفوظ بدارید. خطر انفجار وجود دارد.

◀ در صورتیکه باتری آسیب دیده باشد و یا از آن بطور بی رویه استفاده شود، ممکن است از باتری بخارهایی متصاعد گردد. در این حالت هوای محیط را تازه کنید؛ اگر احساس ناراحتی کردید، به پزشک مراجعه نمایید. استنشاق این بخارها ممکن است به مجاری تنفسی شما آسیب برساند.

◀ از باتری فقط در رابطه و همراه با محصول ساخت بوش استفاده کنید. فقط در اینصورت باتری در برابر خطر اعمل فشار بیش از حد محافظت میشود.

◀ بوسیله ی اشیاء تیز مانند میخ یا پیچگوشتی یا تأثیر نیروی خارجی ممکن است باتری آسیب ببیند. ممکن است اتصالی داخلی رخ دهد و باتری آتش گیرد، دود کند، منفجر شود یا بیش از حد داغ گردد.

تشریح دستگاه و عملکرد آن

کلیه دستورات ایمنی و راهنمایی ها را مطالعه کنید. اشتباهات ناشی از عدم رعایت این دستورات ایمنی ممکن است باعث برق گرفتگی، سوختگی و یا سایر جراحت های شدید شود.



موارد استفاده از دستگاه

ابزار برقی جهت باد زدن و جمع کردن مواد غیر مضر برای سلامتی (مانند تراشه چوب، براده فلز، گرد و غبار سنگ و غیره) که هنگام اره کاری، سوراخکاری و ساییدن ایجاد می شوند، در نظر گرفته شده است. توسط متعلقات مناسب می توان جای سوراخ مته ها را نیز باد زد.

ابزار برقی برای باد زدن مواد قابل انفجار یا اشتعال مناسب نیست.

ایمنی از راه افتادن ناخواسته ابزار الکتریکی جلوگیری می کند.

◀ ابزار الکتریکی را در صورت عدم استفاده، از دسترس کودکان دور نگهدارید. اجازه ندهید که افراد ناوارد و یا اشخاصی که این دفترچه راهنما را نخوانده اند، با این دستگاه کار کنند. قرار گرفتن ابزار الکتریکی در دست افراد ناوارد و بی تجربه خطرناک است.

◀ از ابزار الکتریکی خوب مراقبت کنید. مواظب باشید که قسمت های متحرک دستگاه خوب کار کرده و گیر نکنند. همچنین دقت کنید که قطعات ابزار الکتریکی شکسته و یا آسیب دیده نباشند. قطعات آسیب دیده را قبل از شروع به کار تعمیر کنید. علت بسیاری از سوانح کاری، عدم مراقبت کامل از ابزارهای الکتریکی می باشد.

◀ ابزار برش را تیز و تمیز نگهدارید. ابزار برشی که خوب مراقبت شده و از لبه های تیز برخوردارند، کمتر در قطعه کار گیر کرده و بهتر قابل هدایت می باشند.

◀ ابزارهای الکتریکی، متعلقات، ابزار که روی دستگاه نصب می شوند و غیره را مطابق دستورات این جزوه راهنما طوری به کار بگیرید که با مدل این دستگاه تناسب داشته باشند. همچنین به شرایط کاری و نوع کار توجه کنید. کاربرد ابزار برقی برای موارد کاری که برای آن در نظر گرفته نشده است، میتواند شرایط خطرناکی را منجر شود.

مراقبت و طرز استفاده از ابزارهای شارژی

◀ باتری ها را منحصراً در دستگاهایی شارژ کنید که توسط سازنده توصیه شده باشند. در صورتیکه برای شارژ باتری، آنرا در شارژری قرار دهید که برای آن باتری ساخته نشده است، خطر آتشسوزی وجود دارد.

◀ در ابزار آلات الکتریکی، فقط از باتری هایی استفاده کنید که برای آن نوع ابزار برقی در نظر گرفته شده اند. استفاده از باتری های متفرقه میتواند منجر به جراحات و حریق گردد.

◀ در صورت عدم استفاده از باتری باید آنرا از گیره های فلزی، سکه، کلید، میخ، پیچ و دیگر وسائل کوچک فلزی دور نگه دارید، زیرا این وسائل ممکن است باعث ایجاد اتصالی شوند. ایجاد اتصالی بین دو قطب باتری (ترمینالهای باتری) میتواند باعث سوختگی و ایجاد حریق شود.

◀ استفاده بی رویه از باتری میتواند باعث خروج مایعات از آن شود. از هر گونه تماس با این مایعات خودداری کنید. در صورت تماس اتفاقی با آن، دست خود و یا محل تماس را با آب بشوئید. در صورت آلوده شدن چشم با این مایع، باید به پزشک مراجعه کنید. مایع خارج شده از باتری میتواند باعث التهاب پوست و سوختگی شود.

سرویس

◀ برای تعمیر ابزار الکتریکی فقط به متخصصین حرفه ای رجوع کرده و از وسائل یدکی اصل استفاده کنید. این باعث خواهد شد که ایمنی دستگاه شما تضمین گردد.

راهنمایی های ایمنی برای بادزن های شارژی

◀ دقت کنید که افراد نزدیک شما با اجسام به هوا پرت شده زخمی نشوند.

فارسی

راهنمائی های ایمنی

راهنمائی های ایمنی عمومی برای ابزارهای الکتریکی

هشدار! همه دستورات ایمنی و راهنمائی ها را بخوانید.

این دستورات ایمنی ممکن است باعث برق گرفتگی، سوختگی و یا سایر جراحات های شدید شود.

همه هشدار های ایمنی و راهنمائی ها را برای آینده خوب نگهداری کنید.

هر جا در این راهنما از «ابزار الکتریکی» صحبت میشود، منظور ابزارهای الکتریکی (با سیم برق) و یا ابزارهای الکتریکی باطری دار (بدون سیم برق) می باشد.

ایمنی محل کار

محل کار خود را تمیز، مرتب و مجهز به نور کافی نگهدارید. محیط کار نامرتب و کم نور میتواند باعث سوانح کاری شود.

ابزار الکتریکی در محیط هایی که در آن خطر انفجار وجود داشته و حاوی مایعات، گازها و بخارهای محترقه باشد، کار نکنید. ابزار های الکتریکی چرکه هایی ایجاد می کنند که می توانند باعث آتش گرفتن گرد و غبارهای موجود در هوا شوند.

هنگام کار با ابزار الکتریکی، کودکان و سایر افراد را از دستگاه دور نگهدارید. در صورتیکه حواس شما پرت شود، ممکن است کنترل دستگاه از دست شما خارج شود.

ایمنی الکتریکی

دوشاخه ابزار الکتریکی باید با پریز برق تناسب داشته باشد. هیچگونه تغییری در دوشاخه ندهید. مبدل دوشاخه نباید همراه با ابزار الکتریکی دارای اتصال به زمین استفاده شود. دوشاخه های اصل و تغییر داده نشده و پریزهای مناسب، خطر شوک الکتریکی و برق گرفتگی را کم می کنند.

از تماس بدنی با قطعات متصل به سیم اتصال به زمین مانند لوله، شوفاژ، اجاق برقی و یخچال خودداری کنید. در صورت تماس بدنی با سطوح و قطعات دارای اتصال به زمین و همچنین تماس شما با زمین، خطر برق گرفتگی افزایش می یابد.

دستگاه را از باران و رطوبت دور نگهدارید. نفوذ آب به ابزار الکتریکی، خطر شوک الکتریکی را افزایش میدهد.

از سیم دستگاه برای کارهایی چون حمل ابزار الکتریکی، آویزان کردن آن و یا خارج کردن دوشاخه از برق استفاده نکنید. کابل دستگاه را در مقابل حرارت، روغن، لبه های تیز و بخش های متحرک دستگاه دور نگهدارید. کابل های آسیب دیده و یا گره خورده خطر شوک الکتریکی را افزایش میدهند.

در صورتیکه با ابزار الکتریکی در محیط باز کار میکنید، تنها از کابل رابطی استفاده کنید که برای محیط باز نیز مناسب باشد. کابل های رابط مناسب برای محیط باز، خطر برق گرفتگی را کم می کنند.

در صورت لزوم کار با ابزار برقی در محیط و اماکن مرطوب، باید از یک کلید حفاظتی جریان خطا و نشتی زمین (کلید قطع کننده اتصال با زمین) استفاده کنید. استفاده از کلید حفاظتی جریان خطا و نشتی زمین خطر برق گرفتگی را کاهش می دهد.

رعایت ایمنی اشخاص

حواس خود را خوب جمع کنید، به کار خود دقت کنید و با فکر و هوش کامل با ابزار الکتریکی کار کنید. در صورت خستگی و یا در صورتیکه مواد مخدر، الکل و دارو استفاده کرده اید، با ابزار الکتریکی کار نکنید. یک لحظه بی توجهی هنگام کار با ابزار الکتریکی، میتواند جراحات های شدیدی به همراه داشته باشد.

از تجهیزات ایمنی شخصی و از عینک ایمنی همواره استفاده کنید. استفاده از تجهیزات ایمنی مانند ماسک ایمنی، کفش های ایمنی ضد لغزش، کلاه ایمنی و گوشی ایمنی متناسب با نوع کار با ابزار الکتریکی، خطر مجروح شدن را کاهش میدهد.

مواظب باشید که ابزار الکتریکی بطور ناخواسته

بکار نیفتد. قبل از وارد کردن دوشاخه دستگاه در پریز برق، اتصال آن به باطری، برداشتن آن و یا حمل دستگاه، باید دقت کنید که ابزار الکتریکی خاموش باشد. در صورتیکه هنگام حمل دستگاه انگشت شما روی دکمه قطع و وصل باشد و یا دستگاه را در حالت روشن به برق بزنید، ممکن است سوانح کاری پیش آید.

قبل از روشن کردن ابزار الکتریکی، باید همه ابزارهای تنظیم کننده و آچار ها را از روی دستگاه بردارید. ابزار و آچارهایی که روی بخش های چرخنده دستگاه قرار دارند، میتوانند باعث ایجاد جراحات شوند.

وضعیت بدن شما باید در حالت عادی قرار داشته باشد. برای کار جای مطمئنی برای خود انتخاب کرده و تعادل خود را همواره حفظ کنید. به این ترتیب می توانید ابزار الکتریکی را در وضعیت های غیر منتظره بهتر تحت کنترل داشته باشید.

لباس مناسب بپوشید. از پوشیدن لباس های گشاد و حمل زینت آلات خودداری کنید. موها، لباس و دستگاه ها را از بخش های در حال چرخش دستگاه دور نگهدارید. لباس های گشاد، موی بلند و زینت آلات ممکن است در قسمت های در حال چرخش دستگاه گیر کنند.

در صورتیکه میتوانید وسائل مکش گرد و غبار و یا وسیله جمع کننده گرد و غبار را به دستگاه نصب کنید، باید مطمئن شوید که این وسائل درست نصب و استفاده می شوند. استفاده از وسائل مکش گرد و غبار صوتیت شما را در برابر گرد و غبار زیاد تر میکند.

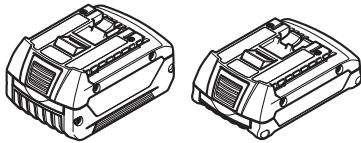
استفاده صحیح از ابزار الکتریکی و مراقبت از آن

از وارد کردن فشار زیاد روی دستگاه خودداری کنید. برای هر کاری، از ابزار الکتریکی مناسب با آن استفاده کنید. بکار گرفتن ابزار الکتریکی مناسب باعث میشود که بتوانید از توان دستگاه بهتر و با اطمینان بیشتر استفاده کنید.

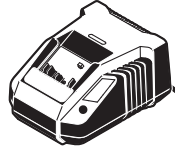
در صورت ایراد در کلید قطع و وصل ابزار برقی، از دستگاه استفاده نکنید. ابزار الکتریکی که نمی توان آنها را قطع و وصل کرد، خطرناک بوده و باید تعمیر شوند.

قبل از تنظیم ابزار الکتریکی، تعویض متعلقات و یا کنار گذاشتن آن، دوشاخه را از برق کشیده و یا باتری آنرا خارج کنید. رعایت این اقدامات پیشگیری

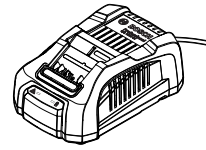
GBA 18V..
GBA 18V... W



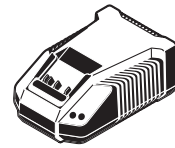
AL 1820 CV



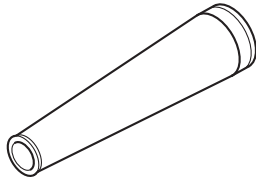
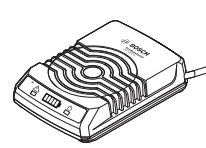
GAL 3680



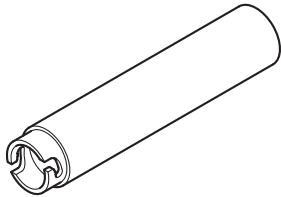
AL 1860 CV



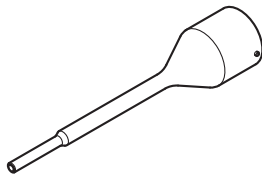
GAL 18... W



1 619 PA9 087



1 619 PA9 088



1 619 PA9 089



1 619 PA9 228