

**Robert Bosch Power Tools GmbH**  
70538 Stuttgart  
GERMANY

[www.bosch-pt.com](http://www.bosch-pt.com)

**1 609 92A 3XH** (2017.06) PS / 54



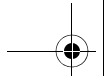
1 609 92A 3XH

# GCO 14-24 J Professional

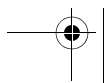
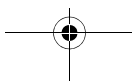
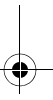
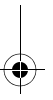
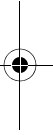
 **BOSCH**

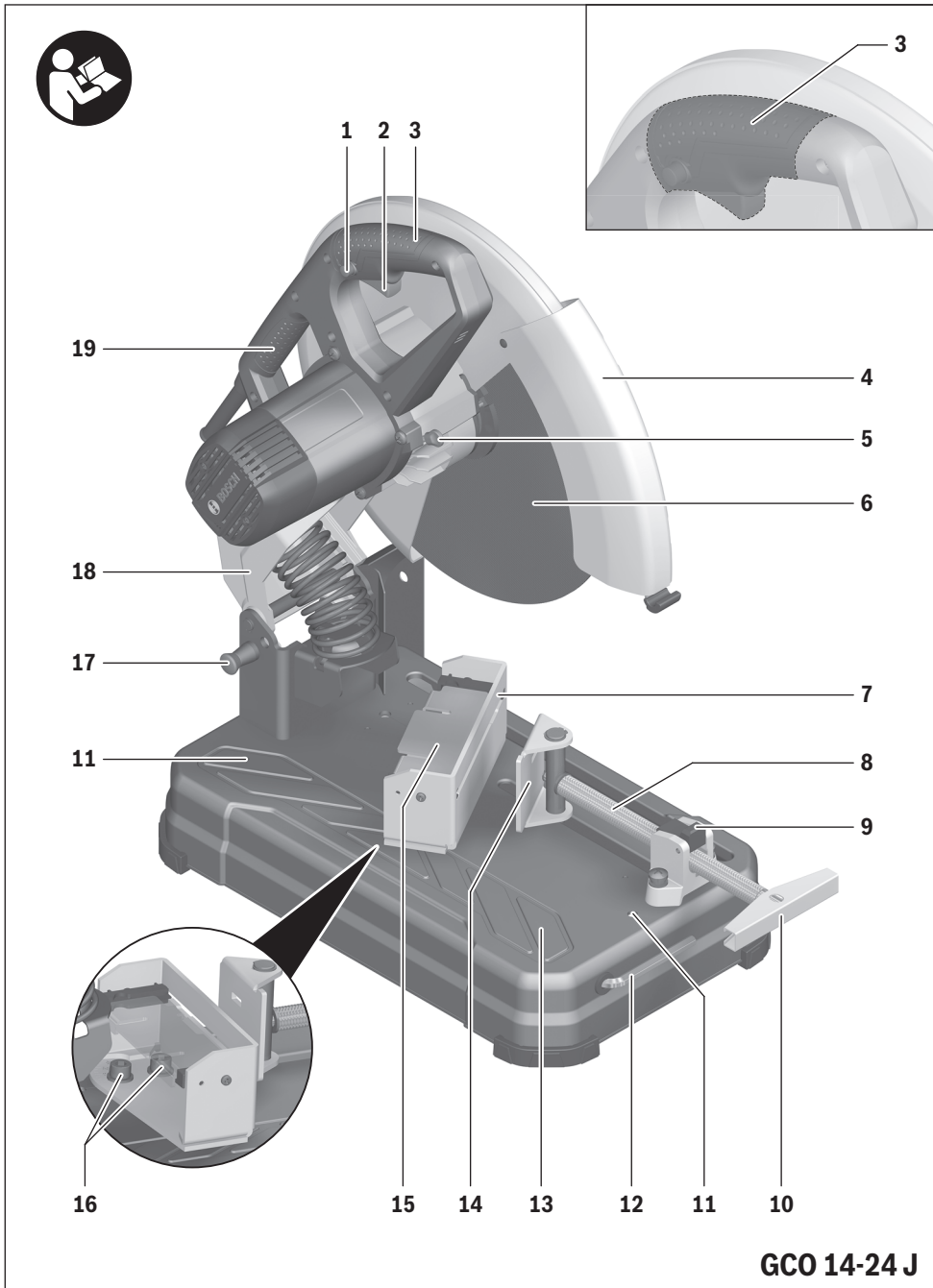
**en** Original instructions  
**cn** 正本使用说明书  
**tw** 原始使用說明書  
**ko** 사용 설명서 원본  
**th** หนังสือคู่มือการใช้งานฉบับต้นแบบ  
**id** Petunjuk-Petunjuk untuk Penggunaan Orisinal  
**vi** Bản gốc hướng dẫn sử dụng



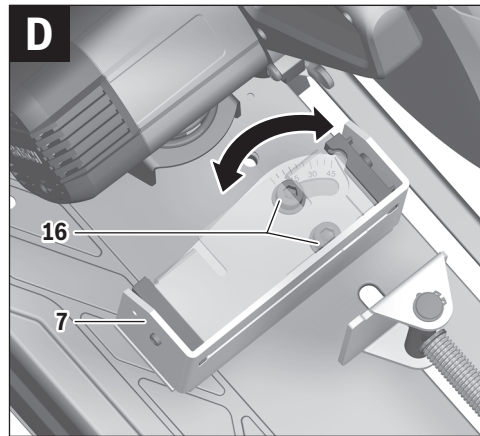
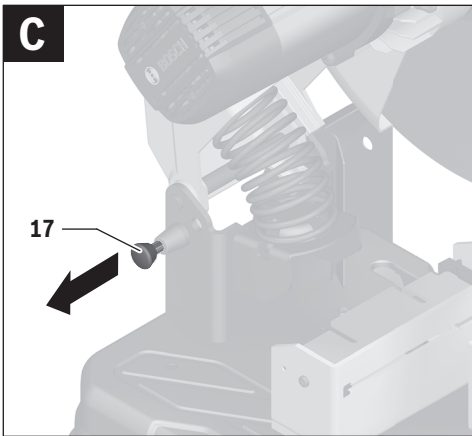
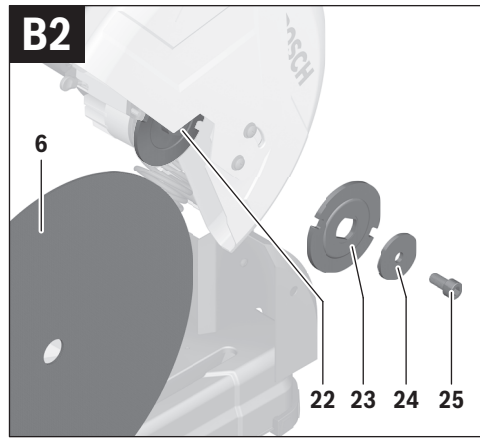
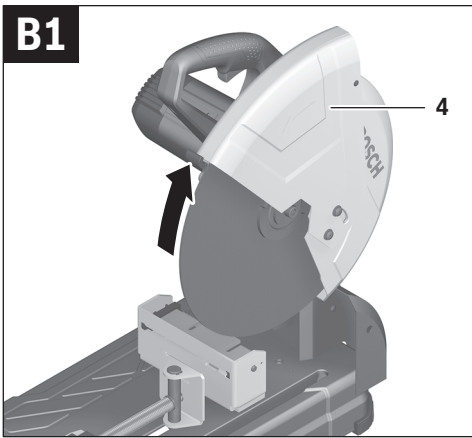
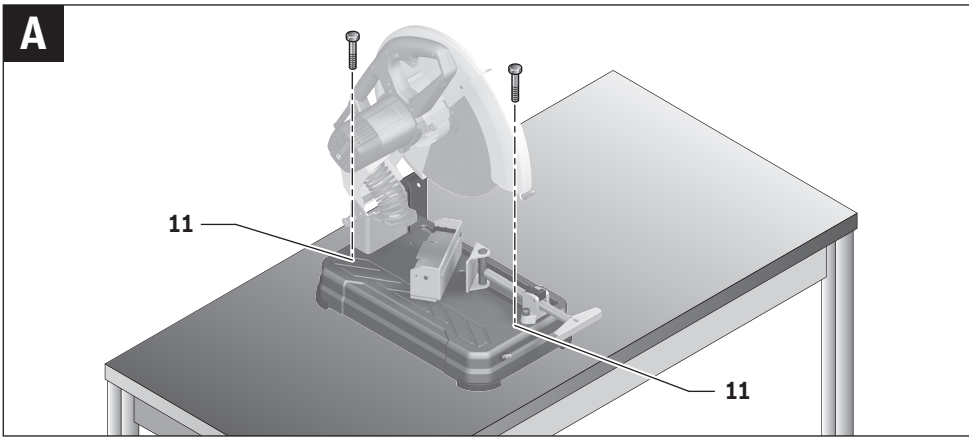


English .....	Page	7
中文 .....	页	15
中文 .....	頁	21
한국어 .....	페이지	26
ภาษาไทย .....	หน้า	33
Bahasa Indonesia .....	Halaman	39
Tiếng Việt .....	Trang	46

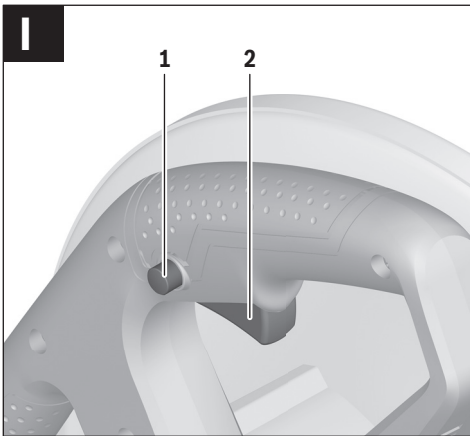
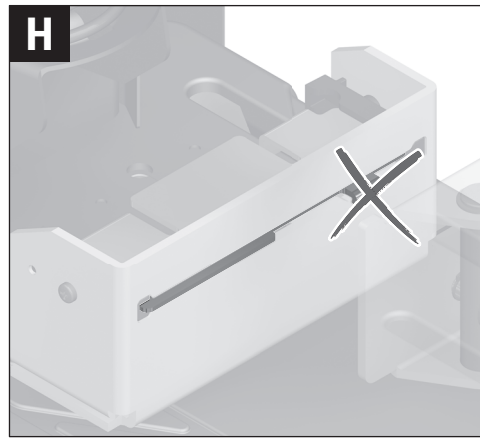
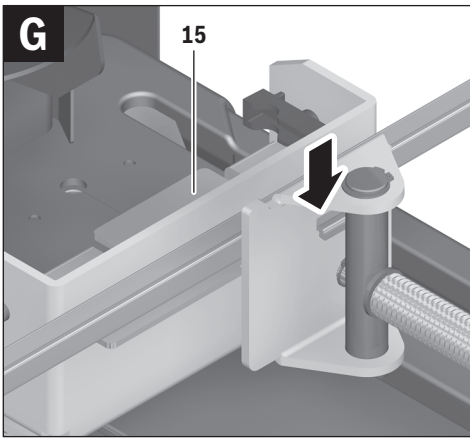
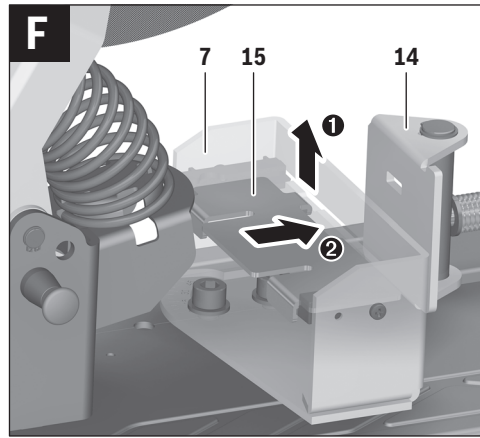
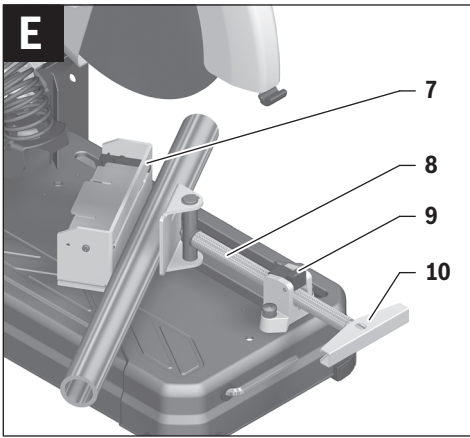








6 |



## English

### Safety Notes

#### General Power Tool Safety Warnings

**⚠ WARNING** Read all safety warnings, instructions, illustrations and specifications provided with this power tool. Failure to follow all instructions listed below may result in electric shock, fire and/or serious injury.

Save all warnings and instructions for future reference.

The term "power tool" in the warnings refers to your mains-operated (corded) power tool or battery-operated (cordless) power tool.

**⚠ WARNING** When using electric tools basic safety precautions should always be followed to reduce the risk of fire, electric shock and personal injury including the following. Read all these instructions before attempting to operate this product and save these instructions.

#### Work area safety

- ▶ **Keep work area clean and well lit.** Cluttered or dark areas invite accidents.
- ▶ **Do not operate power tools in explosive atmospheres, such as in the presence of flammable liquids, gases or dust.** Power tools create sparks which may ignite the dust or fumes.
- ▶ **Keep children and bystanders away while operating a power tool.** Distractions can cause you to lose control.

#### Electrical safety

- ▶ **Power tool plugs must match the outlet. Never modify the plug in any way. Do not use any adapter plugs with earthed (grounded) power tools.** Unmodified plugs and matching outlets will reduce risk of electric shock.
- ▶ **Avoid body contact with earthed or grounded surfaces, such as pipes, radiators, ranges and refrigerators.** There is an increased risk of electric shock if your body is earthed or grounded.
- ▶ **Do not expose power tools to rain or wet conditions.** Water entering a power tool will increase the risk of electric shock.
- ▶ **Do not abuse the cord. Never use the cord for carrying, pulling or unplugging the power tool. Keep cord away from heat, oil, sharp edges and moving parts.** Damaged or entangled cords increase the risk of electric shock.
- ▶ **When operating a power tool outdoors, use an extension cord suitable for outdoor use.** Use of a cord suitable for outdoor use reduces the risk of electric shock.
- ▶ **If operating a power tool in a damp location is unavoidable, use a residual current device (RCD) protected supply.** Use of an RCD reduces the risk of electric shock.

#### Personal safety

- ▶ **Stay alert, watch what you are doing and use common sense when operating a power tool. Do not use a power tool while you are tired or under the influence of drugs, alcohol or medication.** A moment of inattention while operating power tools may result in serious personal injury.
- ▶ **Use personal protective equipment. Always wear eye protection.** Protective equipment such as dust mask, non-skid safety shoes, hard hat, or hearing protection used for appropriate conditions will reduce personal injuries.
- ▶ **Prevent unintentional starting. Ensure the switch is in the off-position before connecting to power source and/or battery pack, picking up or carrying the tool.** Carrying power tools with your finger on the switch or energising power tools that have the switch on invites accidents.
- ▶ **Remove any adjusting key or wrench before turning the power tool on.** A wrench or a key left attached to a rotating part of the power tool may result in personal injury.
- ▶ **Do not overreach. Keep proper footing and balance at all times.** This enables better control of the power tool in unexpected situations.
- ▶ **Dress properly. Do not wear loose clothing or jewelry. Keep your hair and clothing away from moving parts.** Loose clothes, jewellery or long hair can be caught in moving parts.
- ▶ **If devices are provided for the connection of dust extraction and collection facilities, ensure these are connected and properly used.** Use of dust collection can reduce dust-related hazards.
- ▶ **Do not let familiarity gained from frequent use of tools allow you to become complacent and ignore tool safety principles.** A careless action can cause severe injury within a fraction of a second.

#### Power tool use and care

- ▶ **Do not force the power tool. Use the correct power tool for your application.** The correct power tool will do the job better and safer at the rate for which it was designed.
- ▶ **Do not use the power tool if the switch does not turn it on and off.** Any power tool that cannot be controlled with the switch is dangerous and must be repaired.
- ▶ **Disconnect the plug from the power source and/or remove the battery pack, if detachable, from the power tool before making any adjustments, changing accessories, or storing power tools.** Such preventive safety measures reduce the risk of starting the power tool accidentally.
- ▶ **Store idle power tools out of the reach of children and do not allow persons unfamiliar with the power tool or these instructions to operate the power tool.** Power tools are dangerous in the hands of untrained users.
- ▶ **Maintain power tools and accessories. Check for misalignment or binding of moving parts, breakage of parts and any other condition that may affect the power tool's operation. If damaged, have the power tool re-**

## 8 | English

**paired before use.** Many accidents are caused by poorly maintained power tools.

- ▶ **Keep cutting tools sharp and clean.** Properly maintained cutting tools with sharp cutting edges are less likely to bind and are easier to control.
- ▶ **Use the power tool, accessories and tool bits etc. in accordance with these instructions, taking into account the working conditions and the work to be performed.** Use of the power tool for operations different from those intended could result in a hazardous situation.
- ▶ **Keep handles and grasping surfaces dry, clean and free from oil and grease.** Slippery handles and grasping surfaces do not allow for safe handling and control of the tool in unexpected situations.

#### Service

- ▶ **Have your power tool serviced by a qualified repair person using only identical replacement parts.** This will ensure that the safety of the power tool is maintained.

#### Cut-off machine safety warnings

- ▶ **Position yourself and bystanders away from the plane of the rotating wheel.** The guard helps to protect the operator from broken wheel fragments and accidental contact with wheel.
- ▶ **Use only bonded reinforced cut-off wheels for your power tool.** Just because an accessory can be attached to your power tool, it does not assure safe operation.
- ▶ **The rated speed of the accessory must be at least equal to the maximum speed marked on the power tool.** Accessories running faster than their rated speed can break and fly apart.
- ▶ **Wheels must be used only for recommended applications. For example: do not grind with the side of a cut-off wheel.** Abrasive cut-off wheels are intended for peripheral grinding, side forces applied to these wheels may cause them to shatter.
- ▶ **Always use undamaged wheel flanges that are of correct diameter for your selected wheel.** Proper wheel flanges support the wheel thus reducing the possibility of wheel breakage.
- ▶ **The outside diameter and the thickness of your accessory must be within the capacity rating of your power tool.** Incorrectly sized accessories cannot be adequately guarded or controlled.
- ▶ **The arbour size of wheels and flanges must properly fit the spindle of the power tool.** Wheels and flanges with arbour holes that do not match the mounting hardware of the power tool will run out of balance, vibrate excessively and may cause loss of control.
- ▶ **Do not use damaged wheels. Before each use, inspect the wheels for chips and cracks. If the power tool or wheel is dropped, inspect for damage or install an undamaged wheel. After inspecting and installing the wheel, position yourself and bystanders away from the plane of the rotating wheel and run the power tool at maximum no load speed for one minute.** Damaged wheels will normally break apart during this test time.

- ▶ **Wear personal protective equipment. Depending on application, use face shield, safety goggles or safety glasses. As appropriate, wear dust mask, hearing protectors, gloves and shop apron capable of stopping small abrasive or workpiece fragments.** The eye protection must be capable of stopping flying debris generated by various operations. The dust mask or respirator must be capable of filtering particles generated by your operation. Prolonged exposure to high intensity noise may cause hearing loss.
- ▶ **Keep bystanders a safe distance away from work area. Anyone entering the work area must wear personal protective equipment.** Fragments of workpiece or of a broken wheel may fly away and cause injury beyond immediate area of operation.
- ▶ **Position the cord clear of the spinning accessory.** If you lose control, the cord may be cut or snagged and your hand or arm may be pulled into the spinning wheel
- ▶ **Regularly clean the power tool's air vents.** The motor's fan can draw the dust inside the housing and excessive accumulation of powdered metal may cause electrical hazards.
- ▶ **Do not operate the power tool near flammable materials. Do not operate the power tool while placed on a combustible surface such as wood.** Sparks could ignite these materials.
- ▶ **Do not use accessories that require liquid coolants.** Using water or other liquid coolants may result in electrocution or shock.

#### Kickback and related warnings

- ▶ Kickback is a sudden reaction to a pinched or snagged rotating wheel. Pinching or snagging causes rapid stalling of the rotating wheel which in turn causes the uncontrolled **cutting unit** to be forced upwards toward the operator. For example, if an abrasive wheel is snagged or pinched by the workpiece, the edge of the wheel that is entering into the pinch point can dig into the surface of the material causing the wheel to climb out or kick out. Abrasive wheels may also break under these conditions. Kickback is the result of power tool misuse and/or incorrect operating procedures or conditions and can be avoided by taking proper precautions as given below.
- ▶ **Maintain a firm grip on the power tool and position your body and arm to allow you to resist kickback forces.** The operator can control upward kickback forces, if proper precautions are taken.
- ▶ **Do not position your body in line with the rotating wheel.** If kickback occurs, it will propel the cutting unit upwards toward the operator.
- ▶ **Do not attach a saw chain, woodcarving blade, segmented diamond wheel with a peripheral gap greater than 10 mm or toothed saw blade.** Such blades create frequent kickback and loss of control.
- ▶ **Do not "jam" the wheel or apply excessive pressure. Do not attempt to make an excessive depth of cut.** Over-stressing the wheel increases the loading and susceptibility to twisting or binding of the wheel in the cut and the possibility of kickback or wheel breakage.



- ▶ **When the wheel is binding or when interrupting a cut for any reason, switch off the power tool and hold the cutting unit motionless until the wheel comes to a complete stop. Never attempt to remove the wheel from the cut while the wheel is in motion otherwise kickback may occur.** Investigate and take corrective action to eliminate the cause of wheel binding.
- ▶ **Do not restart the cutting operation in the workpiece. Let the wheel reach full speed and carefully re-enter the cut.** The wheel may bind, walk up or kickback if the power tool is restarted in the workpiece.
- ▶ **Support any oversized workpiece to minimize the risk of wheel pinching and kickback.** Large workpieces tend to sag under their own weight. Supports must be placed under the workpiece near the line of cut and near the edge of the workpiece on both sides of the wheel.

#### Additional safety warnings

- ▶ **Store the machine in a safe manner when not being used. The storage location must be dry and lockable.** This prevents the machine from storage damage, and from being operated by untrained persons.
- ▶ **Always firmly clamp the workpiece. Do not cut workpieces that are too small to clamp.** Otherwise, the clearance of your hand to the rotating cutting disc is too small.
- ▶ **Never use the machine with a damaged cable. Do not touch the damaged cable and pull the mains plug when the cable is damaged while working.** Damaged cables increase the risk of an electric shock.
- ▶ **Check the cable regularly and have a damaged cable repaired only through an authorised customer service agent for Bosch power tools. Replace damaged extension cables.** This will ensure that the safety of the power tool is maintained.
- ▶ **Always use the blade guard.** A blade guard protects the user against broken off parts of the cutting disc and against accidental touching of the cutting disc.
- ▶ **Never leave the machine before it has come to a complete stop.** Cutting tools that are still running can cause injuries.

**Products sold in GB only:** Your product is fitted with a BS 1363/A approved electric plug with internal fuse (ASTA approved to BS 1362).

If the plug is not suitable for your socket outlets, it should be cut off and an appropriate plug fitted in its place by an authorised customer service agent. The replacement plug should have the same fuse rating as the original plug.

The severed plug must be disposed of to avoid a possible shock hazard and should never be inserted into a mains socket elsewhere.

## Symbols

The following symbols can be important for the operation of your power tool. Please memorise the symbols and their meanings. The correct interpretation of the symbols helps you operate the power tool better and more safely.

### Symbol

### Meaning



- ▶ **Keep hands away from the cutting area while the machine is running.** Danger of injury when coming into contact with the cutting disc.



- ▶ **Wear ear protectors.** Exposure to noise can cause hearing loss.



- ▶ **Wear safety goggles.**



- ▶ **Wear a dust respirator.**



- ▶ **Wear protective gloves.**
- ▶ Cutting discs have sharp edges and become very hot during work.

## Product Description and Specifications



**Read all safety warnings and all instructions.** Failure to follow the warnings and instructions may result in electric shock, fire and/or serious injury.

### Intended Use

The machine is intended for stationary use with cutting discs to perform lengthways and crossways straight cuts and mitre angles to 45° in metal materials without the use of water. Using diamond-tipped cutting discs is not permitted.

### Product Features

The numbering of the components shown refers to the representation of the power tool on the graphic pages.

- 1 Lock-off button for On/Off switch
- 2 On/Off switch
- 3 Handle
- 4 Retracting blade guard
- 5 Spindle lock
- 6 Cutting disc
- 7 Angle stop
- 8 Clamping spindle
- 9 Quick-release button
- 10 Spindle handle
- 11 Mounting holes

**10 | English**

- 12** Hex key (8 mm)
- 13** Base plate
- 14** Clamping jaw
- 15** Workpiece support for workpieces with cross section of max. 40 x 40 mm
- 16** Locking screw for angle stop
- 17** Transport safety-lock
- 18** Tool arm
- 19** Transport handle
- 20** Blade guard
- 21** Spark guard
- 22** Tool spindle
- 23** Clamping flange
- 24** Washer
- 25** Hexagon bolt

Accessories shown or described are not part of the standard delivery scope of the product. A complete overview of accessories can be found in our accessories program.

**Technical Data**

Cut-off grinder		GCO 14-24 J
Article number		3 601 M37 2..
Rated power input	W	2400
No-load speed	min <sup>-1</sup>	3800
Soft starting		●
Weight according to EPTA-Procedure 01:2014	kg	18.0
Protection class		□/II
Permissible workpiece dimensions (maximum/minimum) see page 12. The values given are valid for a nominal voltage [U] of 230 V. For different voltages and models for specific countries, these values can vary.		

**Dimensions of suitable cutting discs**

Cutting disc diameter, max.	mm	355
Cutting discs width, max.	mm	3
Mounting hole diameter	mm	25.4

**Assembly****Delivery Scope**

Carefully remove all parts included in the delivery from their packaging.

Remove all packaging material from the machine and the accessories provided.

Before starting the operation of the machine for the first time, check if all parts listed below have been supplied:

- Cut-off grinder with mounted cutting disc
- Hex key **12**

**Stationary or Flexible Mounting**

- ▶ **To ensure safe handling, the machine must be mounted on a level and stable surface (e. g., workbench) prior to using.**

**Mounting to a Working Surface (see figure A)**

- Fasten the power tool with suitable screw fasteners to the working surface. The mounting holes **11** serve for this purpose.

**Flexible Mounting (not recommended!)**

In the exceptional case that it should not be possible to firmly bench-mount the power tool, you can provisionally place the legs of base plate **13** on a suitable surface (e. g. a workbench, level floor, etc.) without bolting the machine down.

**Changing the Tool (see figures B1 – B2)**

- ▶ **Actuate the spindle lock 5 only when the tool spindle 22 is stopped.** Otherwise, the machine can become damaged.
- ▶ **Do not touch the cutting disc after working before it has cooled.** The cutting disc becomes very hot while working.

Use only cutting discs that correspond to the characteristic data given in these operating instructions and are checked according to EN 12413 and marked appropriately.

Use any intermediate layers provided with the cutting disc.

Place unused cutting discs in an enclosed container or in the original packaging. Store cutting discs lying flat.

**Removing the Cutting Disc**

- Bring the power tool into the working position. (see "Releasing the Machine (Working Position)", page 11)
- Swing back the retracting blade guard **4** to the stop.
- Turn the hexagon bolt **25** using the hex key provided **12** and at the same time press the spindle lock **5** until it engages.
- Hold the spindle lock pressed and unscrew the hexagon bolt **25**.
- Remove the washer **24** and the clamping flange **23**.
- Remove the cutting disc **6**.

**Installing the Cutting Disc**

- Mount the new cutting disc onto the tool spindle **22** in such a manner that its label faces away from the tool arm.
- Mount the clamping flange **23**, the washer **24** and the hexagon bolt **25**. Press the spindle lock **5** until it engages and retighten the hexagon bolt **25** turning in clockwise direction. (Tightening torque approx. 18–20 Nm)
- Slowly guide the retracting blade guard **4** down until the cutting disc is covered off.
- Make sure that the retracting blade guard **4** operates properly.

After mounting the cutting disc and before switching on, check whether the cutting disc is properly mounted and if it can rotate freely.

- Make sure that the cutting disc does not graze against the retracting blade guard **4**, the blade guard **20** or against other parts.
- Run the machine for approx. 30 seconds. Should significant vibrations occur, switch off the machine immediately; remove and install the cutting disc again.

## Operation

**Products sold in AUS and NZ only:** Use a residual current device (RCD) with a rated residual current of 30 mA or less.

### Transport Safety (see figure C)

The transport safety-lock **17** enables easier handling of the machine when transporting to various working locations.

#### Releasing the Machine (Working Position)

- Push the tool arm by the handle **3** down a little in order to relieve the transport safety-lock **17**.
- Pull the transport safety-lock **17** completely outward.
- Guide the tool arm slowly upward.

**Note:** When working, pay attention that the transport safety-lock is not pushed inwards. Otherwise, the tool arm cannot be lowered to the requested depth.

#### Securing the Machine (Transport Position)

- Guide the tool arm downward until the transport safety-lock **17** can be pushed completely inward.

For additional information on transport, see page 12.

### Adjusting the Cutting Angle (see figure D)

The mitre angle can be set in a range from 0° to 45°. Frequently used mitre angles are identified on the angle stop **7** with appropriate markings. The 0° and 45° position are set at the respective end stop.

- Loosen the locking screws **16** for the angle stop using the hex key provided **12** (8 mm).
- Adjust the desired angle and firmly tighten both locking screws **16** again.

### Displacing the Angle Stop (see figure D and E)

When cutting workpieces wider than 140 mm, the angle stop **7** can be displaced to the rear.

- Completely unscrew the locking screws **16** using the hex key provided **12** (8 mm).
- Move the angle stop **7** toward the rear by one or two holes to the desired clearance.
- Adjust the desired angle and firmly tighten both locking screws **16** again.

### Clamping the Workpiece

To ensure optimum working safety, the workpiece must always be firmly clamped.

Do not saw workpieces that are too small to clamp.

#### Clamping the Workpiece (see figure E)

- Place the workpiece against the angle stop **7**.
- Slide the clamping spindle **8** against the workpiece and firmly clamp the workpiece with the spindle handle **10**.

#### Securing the Workpiece (cross section of max. 40 x 40 mm) on the Workpiece Support (see figures F – H)

- Set the standard 0° mitre angle on the angle stop **7**.
- Lift the workpiece support **15** slightly and slide it through the slot in the angle stop.
- Hang the hook of the workpiece support in the opening of the clamping jaw **14**.

- Place the workpiece on the workpiece support **15**.
- Slide the clamping spindle **8** against the workpiece and firmly clamp the workpiece with the spindle handle **10**.
- ▶ **Ensure that the workpiece support is securely connected to the clamping jaw and does not tip when you place the workpiece on it.**
- ▶ **Ensure that the height of the workpiece on the workpiece support is max. 40 mm. Higher workpieces cannot be securely clamped.**
- ▶ **Ensure that the workpiece support is slid back completely into the angle stop after use. A protruding hook prevents a workpiece from being securely clamped.**

#### Loosening the Workpiece

- Loosen the spindle handle **10**.
- Tilt up the quick release **9** and pull the clamping spindle **8** away from the workpiece.

### Starting Operation

Dust from materials such as lead-containing coatings, minerals and metal can be harmful to one's health. Contact with or inhaling the dust can trigger allergic reactions to the operator or bystanders and/or lead to respiratory infections. Certain metal dust is considered hazardous, especially in conjunction with alloys such as zinc, aluminium or chromium. Materials containing asbestos may only be worked by specialists.

- Provide for good ventilation of the working place.
  - It is recommended to wear a P2 filter-class respirator.
- Observe the relevant regulations in your country for the materials to be worked.

The blade can be blocked by dust, chips or workpiece fragments in the slot of the base plate **13**.

- Switch the machine off and pull the mains plug from the socket outlet.
  - Wait until the cutting disc has come to a complete stop.
  - Tilt the machine toward the rear, so that small workpiece fragments can fall out of the opening intended for this purpose.
- If required, use a suitable tool to remove all workpiece fragments.

#### Switching On and Off (see figure I)

- To **start** the machine, firstly press the lock-off button **1**. Then press the On/Off switch **2** and keep it pressed.

**Note:** For safety reasons, the On/Off switch **2** cannot be locked; it must remain pressed during the entire operation.

- To **switch off** the machine, release the On/Off switch **2**.

#### Soft Starting

The electronic soft starting feature limits the torque upon switching on and increases the working life of the motor.

### Working Advice

#### General Cutting Instructions



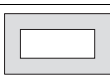

- ▶ **Do not touch the cutting disc after working before it has cooled.** The cutting disc becomes very hot while working.

**12 | English**

- ▶ **Make sure that the spark guard 21 is properly mounted.** Sparking occurs when cutting metal.

**Permissible Workpiece Dimensions**

**Maximum** workpiece sizes:

Workpiece Form	Mitre/Bevel Angle	
	0°	45°
	129 Ø	128 Ø
	119 x 119	110 x 110
	100 x 196	107 x 115
	130 x 130	115 x 115

**Minimum** workpiece sizes

(= all workpieces that can be clamped via the clamping spindle **8**): Length 80 mm

**Cutting depth, max.** (0°/0°): 129 mm

**Cutting Metal**

- Set the required mitre angle as necessary.
- Firmly clamp the workpiece as appropriate for its dimensions.
- Switch on the machine.
- Slowly guide the tool arm downward with the handle **3**.
- Cut the workpiece applying uniform feed.
- Switch the machine off and wait until the cutting disc comes to a complete stop.
- Guide the tool arm slowly upward.

**Transport**

- Always carry the power tool by its transport handle **19**.
- ▶ **When transporting the power tool, use only the transport devices and never use the protective devices.**

**Maintenance and Service****Maintenance and Cleaning**

- ▶ **Before any work on the machine itself, pull the mains plug.**
- ▶ **In extreme conditions, always use dust extraction as far as possible. Blow out ventilation slots frequently and install a portable residual current device (PRCD).** When working metals, conductive dust can settle in the interior of the power tool. The total insulation of the power tool can be impaired.

If the replacement of the supply cord is necessary, this has to be done by Bosch or an authorized Bosch service agent in order to avoid a safety hazard.

The retracting blade guard must always be able to move freely and retract automatically. Therefore, always keep the area around the retracting blade guard clean.

**Accessories**

	Article number
<b>Cutting discs for all metal materials</b>	
Cutting disc 355 x 25.4 mm	2 608 600 208
Cutting disc 355 x 25.4 mm	2 608 600 223

**After-sales Service and Application Service**

Our after-sales service responds to your questions concerning maintenance and repair of your product as well as spare parts. Exploded views and information on spare parts can also be found under:

**www.bosch-pt.com**

Bosch's application service team will gladly answer questions concerning our products and their accessories.

In all correspondence and spare parts orders, please always include the 10-digit article number given on the nameplate of the product.

**Cambodia**

Robert Bosch (Cambodia) Co., Ltd  
Unit 8BC, GT Tower, 08th Floor, Street 169,  
Czechoslovakia Blvd, Sangkat Veal Vong  
Khan 7 Makara, Phnom Penh  
VAT TIN: 100 169 511  
Tel.: +855 23 900 685  
Tel.: +855 23 900 660  
www.bosch.com.kh

**People's Republic of China****China Mainland**

Bosch Power Tools (China) Co., Ltd.  
567, Bin Kang Road  
Bin Jiang District 310052  
Hangzhou, P.R. China  
Tel.: 4008268484  
Fax: (0571) 87774502  
E-Mail: contact.ptcn@cn.bosch.com  
www.bosch-pt.com.cn

**HK and Macau Special Administrative Regions**

Robert Bosch Co. Ltd.  
21st Floor, 625 King's Road  
North Point, Hong Kong  
Customer Service Hotline: +852 2101 0235  
Fax: +852 2590 9762  
E-Mail: info@hk.bosch.com  
www.bosch-pt.com.hk

**India**

Bosch Service Center  
69, Habibullah Road, (Next to PSBB School), T. Nagar  
Chennai – 600077  
Phone: (044) 64561816  
  
Bosch Service Center Rishyamook  
85A, Panchkuin Road  
New Delhi – 110001  
Phone: (011) 43166190

**Bosch Service Center**  
79, Crystal Bldg., Dr. Annie Besant Road, Worli  
Mumbai – 400018  
Phone: (022) 39569936 / (022) 39569959 /  
(022) 39569967 / (022) 24952071

#### **Indonesia**

PT Robert Bosch  
Palma Tower 10<sup>th</sup> Floor  
Jalan RA Kartini II-S Kaveling 6  
Pondok Pinang, Kebayoran Lama  
Jakarta Selatan 12310  
Tel.: (21) 3005-5800  
www.bosch-pt.co.id

#### **Malaysia**

Robert Bosch Sdn. Bhd. (220975-V) PT/SMY  
No. 8A, Jalan 13/6  
46200 Petaling Jaya  
Selangor  
Tel.: (03) 79663194  
Toll-Free: 1800 880188  
Fax: (03) 79583838  
E-Mail: kiathoe.chong@my.bosch.com  
www.bosch-pt.com.my

#### **Pakistan**

Robert Bosch Middle East FZE – Pakistan Liaison Office  
2nd Floor Plaza # 10, CCA Block, DHA Phase 5  
Lahore, 54810  
Phone: +92(303)4444311  
Email: Faisal.Khan@bosch.com

#### **Philippines**

Robert Bosch, Inc.  
28th Floor Fort Legend Towers,  
3rd Avenue corner 31st Street,  
Fort Bonifacio, Global City,  
1634 Taguig City  
Tel.: (632) 8703871  
Fax: (632) 8703870  
www.bosch-pt.com.ph

#### **Singapore**

Powerwell Service Centre Ptd Ltd  
Bosch Authorised Service Centre (Power Tools)  
4012 Ang Mo Kio Ave 10, #01-02 TECHplace  
Singapore 569628  
Tel.: 6452 1770  
Fax: 6452 1760  
E-Mail: ask@powerwellsc.com  
www.powerwellsc.com  
www.bosch-pt.com.sg

#### **Thailand**

Robert Bosch Ltd.  
Liberty Square Building  
No. 287, 11 Floor  
Silom Road, Bangrak  
Bangkok 10500  
Tel.: 02 6393111  
Fax: 02 2384783  
Robert Bosch Ltd., P. O. Box 2054  
Bangkok 10501  
www.bosch.co.th  
  
Bosch Service – Training Centre  
La Salle Tower Ground Floor Unit No.2  
10/11 La Salle Moo 16  
Srinakharin Road  
Bangkaew, Bang Plee  
Samutprakarn 10540  
Tel.: 02 7587555  
Fax: 02 7587525

#### **Vietnam**

Branch of Bosch Vietnam Co., Ltd in HCMC  
Floor 10, 194 Golden Building  
473 Dien Bien Phu Street  
Ward 25, Binh Thanh District, Ho Chi Minh City  
Tel.: (08) 6258 3690  
Fax: (08) 6258 3692  
Hotline: (08) 6250 8555  
www.bosch-pt.com.vn

#### **Armenia, Azerbaijan, Georgia, Kyrgyzstan, Mongolia, Tajikistan, Turkmenistan, Uzbekistan**

TOO “Robert Bosch” Power Tools, After Sales Service  
Rayimbek Ave., 169/1  
050050, Almaty, Kazakhstan  
Service Email: service.pt.ka@bosch.com  
Official Website: www.bosch.com, www.bosch-pt.com

#### **Bahrain**

Hatem Al Juffali Technical Equipment Establishment.  
Kingdom of Bahrain, Setra Highway, Al Aker Area  
Phone: +966126971777-311  
Fax: +97317704257  
Email: h.berjas@eajb.com.sa

#### **Egypt**

Unimar  
20 Markaz kadmat  
El tagmoa EL Aoul – New Cairo  
Phone: + 20 2224 76091-95  
Phone: + 20 2224 78072-73  
Fax: + 20 2224 78075  
Email: adelzaki@unimaregypt.com

#### **Iran**

Robert Bosch Iran  
3rd Floor, No 3, Maadiran Building  
Aftab St., Khodami St., Vanak Sq.  
Tehran 1994834571  
Phone: +9821- 86092057

**14 | English****Iraq**

Sahba Technology Group  
 Al Muthana airport road  
 Baghdad  
 Phone: +9647901906953  
 Phone Dubai: +97143973851  
 Email: bosch@sahbatechnology.com

**Jordan**

Roots Arabia – Jordan  
 Nasser Bin Jameel street, Building 37 Al Rabiah  
 11194 Amman  
 Phone: +962 6 5545778  
 Email: bosch@rootsjordan.com

**Kuwait**

Al Qurain Automotive Trading Company  
 Shuwaikh Industrial Area, Block 1, Plot 16, Street 3rd  
 P.O. Box 164 – Safat 13002  
 Phone: 24810844  
 Fax: 24810879  
 E-mail: josephkr@aaalmutawa.com

**Lebanon**

Tehini Hana & Co. S.A.R.L.  
 P.O. Box 90-449  
 Jdeideh  
 Dora-Beirut  
 Phone: +9611255211  
 Email: service-pt@tehini-hana.com

**Libya**

El Naser for Workshop Tools  
 Swanee Road, Alfalah Area  
 Tripoli  
 Phone: +218 21 4811184

**Oman**

Malatan Trading & Contracting LLC  
 P.O. Box 131  
 Ruwi, 112 Sultanate of Oman  
 Phone: +968 99886794  
 Email: malatanpowertools@malatan.net

**Qatar**

International Construction Solutions W L L  
 P. O. Box 51, Doha  
 Phone: +974 40065458  
 Fax: +974 4453 8585  
 Email: csd@icsdoha.com

**Saudi Arabia**

Juffali Technical Equipment Co. (JTECO)  
 Kilo 14, Madinah Road, Al Bawadi District  
 Jeddah 21431  
 Phone: +966 2 6672222 Ext. 1528  
 Fax: +966 2 6676308  
 Email: roland@ejb.com.sa

**Syria**

Dallal Establishment for Power Tools  
 P.O. Box 1030  
 Aleppo  
 Phone: +963212116083  
 Email: rita.dallal@hotmail.com

**United Arab Emirates**

Central Motors & Equipment LLC, P.O. Box 1984  
 Al-Wahda Street – Old Sana Building  
 Sharjah  
 Phone: +971 6 593 2777  
 Fax: +971 6 533 2269  
 Email: powertools@centralmotors.ae

**Yemen**

Abualrejal Trading Corporation  
 Sana'a Zubairy St. Front to new Parliament Building  
 Phone: +967-1-202010  
 Fax: +967-1-279029  
 Email: tech-tools@abualrejal.com

**Ethiopia**

Forever plc  
 Kebele 2,754, BP 4806,  
 Addis Ababa  
 Phone: +251 111 560 600  
 Email: foreverplc@ethionet.et

**Ghana**

C.WOERMANN LTD.  
 Nsawam Road/Avenor Junction, P.O. Box 1779  
 Accra  
 Phone: +233 302 225 141

**Kenya**

Robert Bosch East Africa Ltd  
 Mpaka Road P.O. Box 856  
 00606 Nairobi

**Nigeria**

Robert Bosch Nigeria Ltd.  
 52 – 54 Isaac John Street P.O. Box  
 GRA Ikeja – Lagos

**Republic of South Africa**

**Customer service**  
 Hotline: (011) 6519600

**Gauteng – BSC Service Centre**

35 Roper Street, New Centre  
 Johannesburg  
 Tel.: (011) 4939375  
 Fax: (011) 4930126  
 E-Mail: bsctools@icon.co.za

**KZN – BSC Service Centre**

Unit E, Almar Centre  
 143 Crompton Street  
 Pinetown  
 Tel.: (031) 7012120  
 Fax: (031) 7012446  
 E-Mail: bsc.dur@za.bosch.com

**Western Cape – BSC Service Centre**

Democracy Way, Prosperity Park  
Milnerton  
Tel.: (021) 5512577  
Fax: (021) 5513223  
E-Mail: bsc@zsd.co.za

**Bosch Headquarters**

Midrand, Gauteng  
Tel.: (011) 6519600  
Fax: (011) 6519880  
E-Mail: rbsa-hq.pts@za.bosch.com

**Tanzania**

Diesel & Autoelectric Service Ltd.  
117 Nyerere Rd., P.O. Box 70839  
Vingunguti 12109, Dar Es Salaam  
Phone: +255 222 861 793/794

**Australia, New Zealand and Pacific Islands**

Robert Bosch Australia Pty. Ltd.  
Power Tools  
Locked Bag 66  
Clayton South VIC 3169  
Customer Contact Center  
Inside Australia:  
Phone: (01300) 307044  
Fax: (01300) 307045

Inside New Zealand:  
Phone: (0800) 543353  
Fax: (0800) 428570

Outside AU and NZ:  
Phone: +61 3 95415555  
www.bosch-pt.com.au  
www.bosch-pt.co.nz

**Disposal**

The machine, accessories and packaging should be sorted for environmental-friendly recycling.



Do not dispose of power tools into household waste!

Subject to change without notice.

## 中文

### 安全规章

#### 安全规章

**警告！** 阅读所有警告和所有说明！不遵照以下警告和说明会导致电击、着火和/或严重伤害。

**保存所有警告和说明书以备查阅。**

在所有下列的警告中术语“电动工具”指市电驱动（有线）电动工具或电池驱动（无线）电动工具。

**警告！** 使用电动工具时，为了避免操作者遭受电击，避免操作者受伤和防止火灾，务必遵循以下的基本安全措施。

操作本电动工具以前，先阅读所有的指示并且要好好保存这些安全规章。

#### 工作场地的安全

- ▶ 保持工作场地清洁和明亮。混乱和黑暗的场地会引发事故。
- ▶ 不要在易爆环境，如有易燃液体、气体或粉尘的环境下操作电动工具。电动工具产生的火花会点燃粉尘或气体。
- ▶ 让儿童和旁观者离开后操作电动工具。注意力不集中会使操作者失去对工具的控制。

#### 电气安全

- ▶ 电动工具插头必须与插座相配。绝不能以任何方式改装插头。需接地的电动工具不能使用任何转换插头。未经改装的插头和相配的插座将减少电击危险。
- ▶ 避免人体接触接地表面，如管道、散热片和冰箱。如果你身体接地会增加电击危险。
- ▶ 不得将电动工具暴露在雨中或潮湿环境中。水进入电动工具将增加电击危险。
- ▶ 不得滥用电线。绝不能用电线搬运、拉动电动工具或拔出其插头。使电线远离热源、油、锐边或运动部件。受损或缠绕的软线会增加电击危险。
- ▶ 当在户外使用电动工具时，使用适合户外使用的外接软线。适合户外使用的软线将减少电击危险。
- ▶ 如果在潮湿环境下操作电动工具是不可避免的，应使用剩余电流动作保护器（RCD）。使用 RCD 可减小电击危险。

#### 人身安全

- ▶ 保持警觉，当操作电动工具时关注所从事的操作并保持清醒。当你感到疲倦，或在有药物、酒精或治疗反应时，不要操作电动工具。在操作电动工具时瞬间的疏忽会导致严重人身伤害。
- ▶ 使用个人防护装置。始终佩戴护目镜。安全装置，诸如适当条件下使用防尘面具、防滑安全鞋、安全帽、听力防护等装置能减少人身伤害。
- ▶ 防止意外起动。确保开关在连接电源和/或电池盒、拿起或搬运工具时处于关断位置。手指放在已接通电源的开关上或开关处于接通时插入插头可能会导致危险。
- ▶ 在电动工具接通之前，拿掉所有调节钥匙或扳手。遗留在电动工具旋转零件上的扳手或钥匙会导致人身伤害。
- ▶ 手不要伸展得太长。时刻注意立足点和身体平衡。这样在意外情况下能很好地控制电动工具。

## 16 | 中文

- ▶ **着装适当。不要穿宽松衣服或佩戴饰品。让衣服、手套和头发远离运动部件。** 宽松衣服、佩饰或长发可能会卷入运动部件中。
- ▶ **如果提供了与排屑、集尘设备连接用的装置，要确保他们连接完好且使用得当。** 使用这些装置可减少尘屑引起的危险。

## 电动工具使用和注意事项

- ▶ **不要滥用电动工具，根据用途使用适当的电动工具。** 选用适当设计的电动工具会使你工作更有效、更安全。
- ▶ **如果开关不能接通或关断工具电源，则不能使用该电动工具。** 不能用开关来控制的电动工具是危险的且必须进行修理。
- ▶ **在进行任何调节、更换附件或贮存电动工具之前，必须从电源上拔掉插头和 / 或使电池盒与工具脱离。** 这种防护性措施将减少工具意外起动的危险。
- ▶ **将闲置不用的电动工具贮存在儿童所及范围之外，并且不要让不熟悉电动工具或对这些说明不了解的人操作电动工具。** 电动工具在未经培训的用户手中是危险的。
- ▶ **保养电动工具。检查运动件是否调整到位或卡住，检查零件破损情况和影响电动工具运行的其他状况。如有损坏，电动工具应在使用前修理好。** 许多事故由维护不良的电动工具引发。
- ▶ **保持切削刀具锋利和清洁。** 保养良好的有锋利切削刃的刀具不易卡住而且容易控制。
- ▶ **按照使用说明书，考虑作业条件和进行的作业来使用电动工具、附件和工具的刀头等。** 将电动工具用于那些与其用途不符的操作可能会导致危险。

## 维修

- ▶ **将你的电动工具送交专业维修人员，使用同样的备件进行修理。** 这样将确保所维修的电动工具的安全性。

## 切割机安全警告

- ▶ **使自己和旁观者远离旋转的砂轮的平面。** 防护罩可保护操作者免受破裂砂轮片的伤害和偶然接触到砂轮。
- ▶ **本电动工具仅使用胶合增强型切割片。** 因为附件可能附在本电动工具上，因此无法确保操作安全。
- ▶ **附件的额定转速必须至少等同于标记在电动工具上的最大转速。** 如果附件转速超过其额定转速，可能会断裂并飞出。
- ▶ **砂轮必须仅用于推荐的应用。例如：不要用切割片的侧面进行打磨。** 磨料切割片用于圆周磨削，施加到这些砂轮上的侧向力可能使它们破裂。
- ▶ **始终使用直径与所选砂轮匹配的完好的轮缘。** 合适的轮缘对砂轮提供支持，这样可降低砂轮断裂的可能性。

- ▶ **附件的外径和厚度必须在电动工具的额定载荷内。** 尺寸不正确的附件无法得到妥当保护或控制。
- ▶ **砂轮和轮缘的芯轴尺寸必须适合电动工具的芯轴。** 如果砂轮和轮缘的芯轴孔与安装的电动工具硬件不匹配，将失去平衡、剧烈振动并可能导致失控。
- ▶ **不要使用损坏的砂轮。每次使用前都要检查砂轮是否有碎片和裂缝。如果电动工具或砂轮掉落，应检查是否损坏或安装一个完好的砂轮。检查并安装砂轮后，使自己和旁观者远离旋转的砂轮的平面，并让电动工具以最大空载转速旋转一分钟。** 损坏的砂轮通常在测试期间会裂开。
- ▶ **佩戴个人防护装置。根据应用情况，使用面罩或护目镜。视情况而定，戴上防尘面具、听力保护装置、手套和能够阻挡小块磨料或工件碎片的围裙。** 眼部保护装置必须能阻挡由各种操作所产生的飞溅碎片。防尘面罩或呼吸器必须能过滤操作所产生的颗粒。长时间处于高强度噪音中可能导致失聪。
- ▶ **让旁观者与工作区域保持一定的安全距离。任何进入工作区域的人员都必须佩戴个人防护设备。** 工件或断裂的砂轮碎片可能会飞出，并造成操作区域以外的损害。
- ▶ **不要将电源线放在旋转的附件周围。** 如失去控制，电源线可能被切割或钩住，您的手臂可能被卷入旋转的砂轮。
- ▶ **定期清理电动工具的通风口。** 电机风扇可能将粉尘吸入壳体，大量聚集的粉末状金属可能导致电气危险。
- ▶ **不要在可燃材料附近操作电动工具。不要在可燃表面如木头上操作电动工具。** 火花可能点燃这些材料。
- ▶ **不要使用需要液体冷却剂的附件。** 使用水或其他液体冷却剂可能导致触电或休克。

## 回弹和相关警告

- ▶ **回弹是针对旋转的砂轮被夹住或钩住的突然反应。** 夹住或钩住会导致旋转中的砂轮快速停止转动，从而引发失控的切割单元向上冲向操作者。例如，当砂轮被工件钩住或夹住时，进入夹点的砂轮边缘可能插入材料表面，造成砂轮爬出或回弹。在这些条件下，砂轮也可能断裂。回弹是电动工具不当使用和 / 或操作流程或条件不正确的结果，可通过采取以下预防措施来避免。
- ▶ **牢牢握住电动工具，将身体和手臂摆好位置，以抵挡回弹力。** 如采取适当的预防措施，操作者可以控制向上的回弹力。
- ▶ **不要让身体与旋转的砂轮处于一条直线上。** 如发生回弹，会将切割单元向上推向操作者。
- ▶ **不要安装锯链、木雕刀片、周边间距大于 10 毫米的金刚石砂轮段或齿锯片。** 这类锯片会造成频繁回弹和失控。





- ▶ **不要“卡住”砂轮或过分施加压力。不要试图切割过深。** 过度对砂轮施加应力会增加负荷，并提高切割中砂轮扭曲或粘滞的敏感性以及回弹或砂轮破损的可能性。
- ▶ **当砂轮粘滞或由于某种原因中断切割时，将电动工具关机并保持切割单元不动，直至砂轮完全停下。不要试图在砂轮转动时将砂轮从切口移出，否则会出现回弹。** 研究并进行修正，以消除砂轮粘滞的因素。
- ▶ **不要在工件中重新启动切割操作。让砂轮达到全速，小心地再次进入切口。** 如电动工具在工件中重新启动，砂轮可能粘滞、上移或回弹。
- ▶ **超大的工件需要加以支持，以降低砂轮夹住和回弹的风险。** 大工件会因自重而下沉。必须在工件下方靠近切割线处以及砂轮两侧靠近工件边缘处进行支撑。

#### 其它的警告事项

- ▶ **妥善保存好不使用的电动工具。存放处必须保持干燥并且能过上锁。** 这样能够防止电动工具在储藏过程中受损，或避免不会操作机器的人使用它。
- ▶ **务必固定好工件。不可以加工因为体积太小而无法固定的工件。** 因为这样手和切割片之间的距离会太小。
- ▶ **勿使用电线已经损坏的电动工具。如果电源电线在工作中受损，千万不可触摸损坏的电线，并马上拔出插头。** 损坏的电线会提高使用者触电的危险。
- ▶ **定期检查电线。损坏的电线只能交给博世电动工具授权的顾客服务处修理。更换损坏的延长电线。** 如此才能够确保电动工具的安全性能。
- ▶ **务必使用防护罩。** 防护罩可以保护操作者免被切割片的碎片割伤，以及避免操作者意外碰触切割片。
- ▶ **工具未完全静止时，不可离开工具。** 如果工具仍继续转动，可能造成伤害。

## 代表符号

以下符号可以帮助您正确地使用本电动工具。请牢记各符号和它们的代表意思。正确了解各符号的代表意思，可以帮助您更有把握更安全地操作本电动工具。

符号	含义
	▶ <b>如果电动工具还在转动，千万不可以把手放入切割范围中。</b> 触摸了切割片会被割伤。
	▶ <b>戴好耳罩。</b> 暴露在噪声中会引起听力损伤。

符号	含义
	▶ <b>请佩戴护目镜。</b>
	▶ <b>请佩戴防尘面具。</b>
	▶ <b>佩戴工作手套。</b> ▶ 切割片很锋利，而且在工作时会变得很热。

## 产品和功率描述



**阅读所有的警告提示和指示。** 如未确实遵循警告提示和指示，可能导致电击、火灾并且 / 或其他的严重伤害。

### 按照规定使用机器

电动工具作为立式设备，借助切割片通过直切割过程不使用水就可对金属材料进行纵向和横向切削，斜角可达 45°。不允许使用镶有金刚石的切割片。

### 插图上的机件

机件的编号和电动工具详解图上的编号一致。

- 1 起停开关的防止起动装置
- 2 起停开关
- 3 手柄
- 4 活动防护罩
- 5 主轴锁
- 6 切割片
- 7 角度挡块
- 8 固定丝杆
- 9 快速解锁
- 10 丝杆柄
- 11 安装孔
- 12 内六角扳手 (8 毫米)
- 13 底座
- 14 夹紧钳口
- 15 工件托架，用于横截面最大为 40 x 40 mm 的工件
- 16 角度挡块的固定螺丝
- 17 搬运固定装置
- 18 机臂

## 18 | 中文

- 19 搬运柄
- 20 防护罩
- 21 火花挡板
- 22 主轴
- 23 固定法兰
- 24 垫片
- 25 六角螺丝

图表或说明上提到的附件，并不包含在基本的供货范围中。  
本公司的附件清单中有完整的附件供应项目。

## 技术数据

切割机		GCO 14-24 J
物品代码		3 601 M37 2..
额定输入功率	瓦	2400
无负载转速	次 / 分	3800
缓速启动		●
重量符合		
EPTA-Procedure 01:2014	公斤	18.0
绝缘等级		□/II

许可的工件尺寸 (最大 / 最小) 参考页数 19。

本说明书提供的参数是以 230 V 为依据，于低电压地区，此数据有可能不同。

## 适合本机器的切割片尺寸

最大切割片直径	毫米	355
最大切割片厚度	毫米	3
接孔直径	毫米	25.4

## 安装

## 供货范围

小心地从包装中取出所有的供货物品。

拆除电动工具和附带附件上的所有包装材料。

首度使用电动工具之前，先检查以下各部件是否包含在供货范围中。

- 安装了切割片的切割研磨机
- 内六角扳手 12

## 固定或活动的安装方式

► 为了能够稳定地操作机器，正式使用机器之前，必须把电动工具固定在平坦、稳固的工作平面上（例如工作台）。

## 在工作平面上安装机器（参考插图 A）

- 使用合适的螺丝把电动工具固定在工作平面上。固定时可以使用螺孔 11。

## 活动式安装（不推荐！）

如果情况特殊，无法将电动工具固定在工作地点上，可以借助底座 13 上的脚垫把机器放置在合适的底座上（例如工作台，平坦的地板等），如此便不需要锁紧电动工具。

## 更换工具（参考插图 B1 - B2）

- 启动主轴锁 5。只在主轴 22 完全静止后才可以启动，否则可能损坏电动工具。
- 工作结束后，如果切割片尚未冷却，不可以触摸切割片。工作时切割片会变得非常灼热。

必须根据本说明书中提出的各项技术数据选择切割片。另外切割片上必须标示了通过 EN 12413 检验的标志。

如果配套提供中间层，随切割片一起使用。

把不使用的切割片放置在封闭的容器或原包装中。储存切割片时要采取平放的方式。

## 拆卸切割片

- 把电动工具调整在工作位置上。（参考“解开电动工具的锁定（工作位置）”，第 18 页）。
- 把活动防护罩 4 向后掀到尽头。
- 使用随附的内六角扳手 12 旋转六角螺丝 25，同时按压主轴锁 5 直到卡入。
- 按住主轴锁并转出六角螺丝 25。
- 取出垫片 24 和固定法兰 23。
- 拆下切割片 6。

## 安装切割片

- 把新的切割片装在主轴 22 上，切割片上的标贴必须朝外，即背向着机臂。
- 装上固定法兰 23、垫片 24 和六角螺丝 25。按压主轴锁 5 直到卡入，然后朝顺时针方向重新拧紧六角螺丝 25。（拧紧扭力约为 18 - 20 牛顿米）
- 慢慢放下活动防护罩 4，至遮盖住切割片为止。
- 要确定活动防护罩 4 能够正常地运作。

安装好切割片之后以及在开动机器之前，必须检查是否已经正确地安装好切割片，切割片是否能够无阻地旋转。

- 要确定切割片不会和活动防护罩 4、防护罩 20 或其他的零件产生摩擦。
  - 先让电动工具运作约 30 秒。
- 如果机器在运转时出现明显的震动，必须马上关闭电动工具，拆除切割片并且重新安装。

## 操作

## 搬运固定装置（参考插图 C）

搬运固定装置 17 可以减轻运输电动工具时的搬运工作。

## 解开电动工具的锁定（工作位置）

- 握住手柄 3 并轻轻地压下机臂，以便减轻搬运固定装置 17 的负荷。
- 向外拉出搬运固定装置 17。
- 慢慢向上提起机臂。

**指示：**工作时必须注意，不可以向内压入搬运固定装置，如果搬运固定装置被内压了，便无法把机臂降到需要的高度上。

#### 锁定电动工具（搬运位置）

- 放下机臂至能够把搬运固定装置 17 完全压入为止。

其他有关搬运的指示请参考页数 20。

#### 调整斜角角度（参考插图 D）

斜角角度的范围为 0 度到 45 度。在角度挡块 7 上，标示了重要的设定值。0 度角和 45 度角分别位在两个末端。

- 用随附的内六角扳手 12 (8 mm) 松开角度挡块的固定螺丝 16。
- 设定好需要的角度，并再度拧紧两个固定螺丝 16。

#### 移动角度挡块（参考插图 D 和 E）

如果您要分割宽度大过 140 毫米的工件时，可以向后移动角度挡块 7。

- 用随附的内六角扳手 12(8 mm) 完全旋出固定螺丝 16。
- 您可以根据需要的距离，将角度挡块 7 向后移动一个钻孔或向后移动两个钻孔。
- 设定好需要的角度，并再度拧紧两个固定螺丝 16。

#### 固定工件

为了确保工作安全务必固定好工件。不可以加工因为体积太小而无法固定的工件。

#### 固定工件（参考插图 E）

- 把工件靠在角度挡块 7 上。
- 把固定丝杆 8 推靠在工件上，借助丝杆柄 10 夹紧工件。

将工件（横截面最大为 40 x 40 mm）固定在工件托架上（参考插图 F-H）

- 在角度挡块 7 上设置标准斜角角度 0°。
- 稍微抬起工件托架 15 并通过开槽将其移至角度挡块。
- 将工件托架的钩子挂入夹紧钳 14 的开口中。
- 将工件放至工件托架 15 上。
- 把固定丝杆 8 推靠在工件上，借助丝杆柄 10 夹紧工件。

▶ 确保工件托架与夹紧钳牢固连接，且在放置工件时不会倾倒。

▶ 确保工件托架上的工件高度最大为 40 mm。更高的工件无法牢牢固定。

▶ 确保工件托架在使用后完全退回至角度挡块处。突出的钩子会阻碍工件夹紧。

#### 放松工件

- 拧松丝杆柄 10。

- 掀开快速解锁 9，抽出靠在工件上的固定丝杆 8。

#### 操作机器

加工含铅的颜料以及矿物和金属所产生的废尘有害健康。机器操作者或者工地附近的人如果接触、吸入这些废尘，可能会有过敏反应并且 / 或者感染呼吸道疾病。

加工含铅的颜料以及矿物和金属所产生的废尘有害健康。机器操作者或者工地附近的人如果接触、吸入这些废尘，可能会有过敏反应并且 / 或者感染呼吸道疾病。

- 工作场所要保持空气流通。
- 最好佩戴 P2 滤网等级的口罩。

请留心并遵守贵国和加工物料有关的法规。

工作尘，废屑或工件的碎屑，可能造成切割片卡在底座 13 的开口中。

- 关闭电动工具，并且从插座中拔出插头。
  - 静候，待切割片完全停止旋转。
  - 向后翻转电动工具，以便让工件的废屑从开口中掉落。
- 必要时得使用合适的工具清除所有的工件废屑。

#### 开动和关闭（参考插图 I）

- **操作** 之前先按下防止起停装置 1。
- 接着再按住起停开关 2。

**指示：**基于安全的顾虑，起停开关 2 无法被锁定。所以操作机器时必须持续地按住开关。

- **放开** 起停开关 2 便可以关闭机器。

#### 缓速起动

电子控制的缓速起动功能可以限制开机时的扭力，并延长马达的使用寿命。

#### 有关操作方式的指点


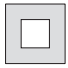
##### 切割时的一般性提示

▶ 工作结束后，如果切割片尚未冷却，不可以触摸切割片。工作时切割片会变得非常灼热。



▶ 确定已经正确地安装好火花挡板 21。研磨金属时会产生火花。

##### 许可的工件尺寸

最大工件：

工件形状	斜锯角度	
	0°	45°
	129 直径	128 直径
	119 x 119	110 x 110

## 20 | 中文

工件形状	斜锯角度	
	0°	45°
	100 x 196	107 x 115
	130 x 130	115 x 115

**最小 工件**

(= 所有能够被固定丝杆 **8** 固定的工件)：  
长度 80 毫米

**最大锯割深度** (0° / 0°)：129 毫米

**切割金属**

- 如有必要，调到需要的斜切角度。
- 根据尺寸正确地固定好工件。
- 开动电动工具。
- 握住手柄 **3** 并慢慢地放下机臂。
- 使用均匀的推进力切割工件。
- 关闭电动工具并静候，让切割片完全停止转动。
- 慢慢向上提起机臂。

**搬运**

- 提电动工具时，一定要握着搬运柄 **19**。
- ▶ **搬运电动工具时只能使用搬运装置，不可以利用防护装置来搬运电动工具。**

**维修和服务****维修和清洁**

- ▶ **维修电动工具或换装零、配件之前，务必从插座上拔出插头。**
- ▶ **在某些极端的操作环境下，如果可能的话一定要使用吸尘装备。吹除通气孔中的污垢并且要使用故障电流保护开关 (PRCD)。** 加工金属时可能在电动工具的内部堆积会导电的废尘。这样可能会影响电动工具的安全绝缘性能。

如果必须更换连接线，务必把这项工作交给博世或者经授权的博世电动工具顾客服务执行，以避免危害机器的安全性能。

活动防护罩必须能够无阻地来回摆动，并且要能够自动关闭，所以防护罩的四周必须随时保持清洁。

**附件****物品代码****用于所有金属材料的切割片**

切割片 355 x 25.4 毫米	2 608 600 208
切割片 355 x 25.4 毫米	2 608 600 223

**顾客服务处和顾客咨询中心**

本公司顾客服务处负责回答有关本公司产品的修理、维护和备件的问题。以下的网页中有爆炸图和备件的资料：

**www.bosch-pt.com**

博世顾客咨询团队非常乐意为您解答有关本公司产品及附件的问题。

如需查询和订购备件，请务必提供产品型号铭牌上的 10 位数货号。

有关保证，维修或更换零件事宜，请向合格的经销商查询。

**中国大陆**

博世电动工具（中国）有限公司

中国 浙江省 杭州市

滨江区滨康路 567 号

邮政编码：310052

免费服务热线：4008268484

传真：(0571) 87774502

电邮：contact.ptcn@cn.bosch.com

www.bosch-pt.com.cn

罗伯特·博世有限公司

香港北角英皇道 625 号 21 楼

客户服务热线：+852 2101 0235

传真：+852 2590 9762

电邮：info@hk.bosch.com

网站：www.bosch-pt.com.hk

**制造商地址：**

Robert Bosch Power Tools GmbH


罗伯特·博世电动工具有限公司

70538 Stuttgart / GERMANY

70538 斯图加特 / 德国

**处理废弃物**

必须以符合环保的方式，回收再利用损坏的机器、附件和废弃的包装材料。

 不可以把电动工具丢入家庭垃圾中！

**保留修改权。**

## 中文

### 安全規章

#### 電動工具通用安全警告，

**警告** 請詳讀電動工具隨附的所有安全警告、指示、插圖以及規格等資料。若不遵照以下列出的指示，將可能導致電擊、著火和/或人員重傷。

請妥善留存所有警告及使用說明資料，以待備查。

在所有警告中，「電動工具」此一名詞泛指：以市電驅動的（有線）電動工具或是以電池驅動的（無線）電動工具。

**警告** 使用電動工具時，為了避免操作者遭受電擊，避免操作者受傷和防止火災，務必遵循以下的基本安全措施。

操作本電動工具以前，先閱讀所有的指示並且要好好保存這些安全規章。

#### 工作場地的安全

- ▶ 保持工作場地清潔和明亮。混亂和黑暗的場地會引發事故。
- ▶ 不要在易爆環境，如有易燃液體、氣體或粉塵的環境下操作電動工具。電動工具產生的火花會點燃粉塵或氣體。
- ▶ 讓兒童和旁觀者離開後操作電動工具。注意力不集中會使你失去對工具的控制。

#### 電氣安全

- ▶ 電動工具插頭必須與插座相配。絕不能以任何方式改裝插頭。需接地的電動工具不能使用任何轉換插頭。未經改裝的插頭和相配的插座將減少電擊危險。
- ▶ 避免人體接觸接地表面，如管道、散熱片和冰箱。如果你身體接地會增加電擊危險。
- ▶ 不得將電動工具暴露在雨中或潮濕環境中。水進入電動工具將增加電擊危險。
- ▶ 不得濫用電線。絕不能用電線搬運、拉動電動工具或拔出其插頭。使電線遠離熱源、油、銳邊或運動部件。受損或纏繞的軟線會增加電擊危險。
- ▶ 當在戶外使用電動工具時，使用適合戶外使用的外接軟線。適合戶外使用的軟線，將減少電擊危險。
- ▶ 如果在潮濕環境下操作電動工具是不可避免的，應使用剩餘電流動作保護器（RCD）。使用 RCD 可減少電擊危險。

#### 人身安全

- ▶ 保持警覺，當操作電動工具時關注所從事的操作並保持清醒。當你感到疲倦，或在有藥物、酒精或治療反應時，不要操作電動工具。在操作電動工具時瞬間的疏忽會導致嚴重人身傷害。

- ▶ 使用個人防護裝置。始終佩戴護目鏡。安全裝置，諸如適當條件下使用防塵面具、防滑安全鞋、安全帽、聽力防護等裝置能減少人身傷害。
- ▶ 防止意外起動。確保開關在連接電源和/或電池盒、拿起或搬運工具時處於關斷位置。手指放在已接通電源的開關上或開關處於接通時插入插頭可能會導致危險。
- ▶ 在電動工具接通之前，拿掉所有調節鑰匙或扳手。遺留在電動工具旋轉零件上的扳手或鑰匙會導致人身傷害。
- ▶ 手不要伸展得太長。時刻注意立足點和身體平衡。這樣在意外情況下能很好地控制電動工具。
- ▶ 著裝適當。不要穿寬鬆衣服或佩戴飾品。讓你的衣物及頭髮遠離運動部件。寬鬆衣服、佩飾或長髮可能會捲入運動部件中。
- ▶ 如果提供了與排屑、集塵設備連接用的裝置，要確保他們連接完好且使用得當。使用這些裝置可減少塵屑引起的危險。
- ▶ 切勿因經常使用工具所累積的熟練感而過度自信，輕忽工具的安全守則。任何一個魯莽的舉動都可能瞬間造成人員重傷。

#### 電動工具使用和注意事項

- ▶ 不要濫用電動工具，根據用途使用適當的電動工具。選用適當設計的電動工具會使你工作更有效、更安全。
- ▶ 如果開關不能接通或關斷工具電源，則不能使用該電動工具。不能用開關來控制的電動工具是危險的且必須進行修理。
- ▶ 在進行任何調整、更換配件或貯存電動工具之前，必須從電源上拔掉插頭並/或取出電池盒。這種防護性措施將減少工具意外起動的危險。
- ▶ 將閒置不用的電動工具貯存在兒童所及範圍之外，並且不要讓不熟悉電動工具或對這些說明不瞭解的人操作電動工具。電動工具在未經培訓的用戶手中是危險的。
- ▶ 保養電動工具與配備。檢查運動件是否調整到位或卡住，檢查零件破損情況和影響電動工具運行的其他狀況。如有損壞，電動工具應在使用前修理好。許多事故由維護不良的電動工具引發。
- ▶ 保持切削刀具鋒利和清潔。保養良好的有鋒利切削刃的刀具不易卡住而且容易控制。
- ▶ 按照使用說明書，考慮作業條件和進行的作業來使用電動工具、配件和工具的刀頭等。將電動工具用於那些與其用途不符的操作可能會導致危險。
- ▶ 把手及握持區應保持乾燥、潔淨，且不得沾染任何油液或油脂。易滑脫的把手及握持區將無法讓您在發生意外狀況時安全地抓緊並控制工具。

## 22 | 中文

**檢修**

- ▶ **將你的電動工具送交專業維修人員，必須使用同樣的備件進行更換。** 這樣將確保所維修的電動工具的安全性。

**切割機安全警告**

- ▶ **自己與旁觀者應遠離轉動中砂輪的平面。** 防護套可保護操作人員，以免被已損壞之砂輪的碎片擊傷與意外碰觸砂輪。
- ▶ **在電動工具上務必使用黏合強化切割砂輪。** 即使該配件可安裝至電動工具上，並不代表可以安全地操作電動工具。
- ▶ **配件的額定速率必須至少等於電動工具上所標示的最大速率。** 配件的運轉速度若高於其額定速率，可能會造成其破損並解體。
- ▶ **砂輪僅可用於建議用途。** 例如：勿以切割砂輪的兩側進行研磨。切割砂輪係專為周邊研磨而設計。對砂輪側面施力，可能會使其解體。
- ▶ **所使用的砂輪凸緣必須完好無損並符合選用之砂輪直徑。** 合適的砂輪凸緣可支撐砂輪，進而降低砂輪破裂的風險。
- ▶ **配件的外徑及厚度必須在電動工具的額定功率範圍內。** 規格不正確的配件無法讓防護機制發揮應有功能，或者可能失控。
- ▶ **砂輪和凸緣的心軸尺寸必須確實符合電動工具的主軸。** 砂輪和凸緣的心軸尺寸若無法完全符合電動工具的安裝硬體，那麼運轉時將造成失衡、震動幅度過大，甚至造成失控。
- ▶ **不可使用已受損的砂輪。** 每次使用前，請先檢查砂輪是否有缺口和裂縫。電動工具或砂輪萬一掉落，請檢查是否受損或直接換裝完好的砂輪。檢查並安裝好砂輪之後，請您與旁觀者遠離砂輪的旋轉平面，接著讓電動工具以最高空載速度，持續運轉一分鐘。砂輪若有受損，通常會在此測試期間分解。
- ▶ **請穿戴個人防護裝備。** 根據實際操作狀況，使用面罩、安全護目鏡或防護眼鏡。在適當情況下，請戴上防塵面罩、聽力防護裝置、手套以及可防止細小磨料或工件碎片的工作圍裙。護目裝置必須能有效阻擋各種操作中所產生的噴飛碎屑。防塵面罩或口罩必須能過濾操作中所產生的粉塵。暴露在高分貝噪音中過久，會造成聽力受損。
- ▶ **請旁觀者與工作區保持安全距離。** 進入工作區的所有人員都必須穿戴個人防護裝備。工件碎片或破損的砂輪可能會四處噴飛，造成作業區範圍以外的附近人員受傷。
- ▶ **所有電線務必遠離旋轉中的配件。** 如果控制不當，有可能會切到或割斷電線，您的手掌或手臂亦可能被捲入正在旋轉的砂輪中

- ▶ **請定期清理電動工具的通風口。** 馬達風扇會將粉塵捲入機殼內，累積過多的金屬粉塵可能危及電氣安全。
- ▶ **請勿在易燃材料旁操作本電動工具。** 請勿在如木材等可燃材料上操作本電動工具。火花可能引燃這些易燃物。
- ▶ **請勿使用需要冷卻液的配件。** 使用水或其他冷卻液可能導致觸電或電擊事件。

**反彈與相關警告**

- ▶ **反彈是旋轉中的砂輪卡住或斷裂時瞬間產生的反作用力。** 旋轉中的砂輪卡住或斷裂會造成突然停止轉動，而造成無法控制的切割裝置朝上直接對著操作人員。舉例來說，工件如果造成研磨砂輪片斷裂或卡住，已推入卡住位置的砂輪邊緣可能會鑽進材料表面裡，而使砂輪脫出或反彈。在上述情況下，研磨砂輪片亦可能斷裂。反彈是不當使用電動工具及/或操作程序（條件）不正確所造成的結果。採取以下適當預防措施，則可避免此一情況。
- ▶ **緊緊握住電動工具，並穩住您的雙臂和身體，以抵抗反彈力道。** 操作人員只要採取適當防護措施，即可控制朝上的反彈力道。
- ▶ **您所處的位置不可與旋轉中的砂輪呈一直線。** 若發生反彈，旋轉中的切割裝置會朝上直接對著操作人員。
- ▶ **請勿加裝鏈鋸型木刻鋸片或鋸齒型鋸片、圓周節段的間距大於 10 mm 的鑽石砂輪或是鋸齒型鋸片。** 此類刀片會產生規律性反彈，進而導致本工具失控。
- ▶ **砂輪不可“卡死”或對其施力過大。** 不可作太深的切割。對砂輪施力過大會增加負載，容易造成切割時砂輪扭曲變形或卡死不動，並且增加發生反彈或砂輪破損的可能性。
- ▶ **當砂輪因任何原因卡死不動或中斷切割時，請關閉切割裝置，然後握住它不要移動，直至砂輪完全停止轉動。** 請勿嘗試在砂輪仍運轉時將它移出切口，否則可能引發反彈。瞭解情況並採取更正措施，以消除砂輪卡死的原因。
- ▶ **請勿於工件內部重新開始切割作業。** 請讓砂輪全速轉動，並小心重新進入切口。若是在工件內部重新開始運轉電動工具，砂輪可能會卡死不動、往上滑移或發生反彈。
- ▶ **確實固定支撐超大尺寸的工件可降低砂輪卡住及發生反彈的風險。** 大型工件可能因其本身的重量而下垂。必須在工件下方、靠近切割線及靠近工件邊緣的砂輪兩側加以支撐。

### 其它的警告事項

- ▶ 妥善保存好不使用的電動工具。存放處必須保持干燥且能上鎖。這樣能夠防止電動工具在儲藏過程中受損，或避免不會操作機器的人使用它。
- ▶ 務必固定好工件。不可以加工因為體積太小而無法固定的工件。因為這樣手和切割片之間的距離會太小。
- ▶ 勿使用電線已經損壞的電動工具。如果電源電線在工作中受損，千萬不可觸摸損壞的電線，並馬上拔出插頭。損壞的電線會提高使用者觸電的危險。
- ▶ 定期檢查電線。損壞的電線只能交給博世電動工授權的顧客服務處修理。更換損壞的延長電線。如此才能夠確保電動工具的安全性能。
- ▶ 務必使用防護罩。防護罩可以保護操作者免被切割片的碎片割傷，以及避免操作者意外碰觸切割片。
- ▶ 工具未完全靜止時，不可離開工具。如果工具仍繼續轉動，可能造成傷害。

### 代表符號

以下符號可以幫助您正確地使用本電動工具。請牢記各符號和它們的代表意思。正確了解各符號的代表意思，可以幫助您更有把握更安全地操作本電動工具。

#### 符號

#### 含義



- ▶ 如果電動工具還在轉動，千萬不可以把手放入切割範圍中。觸摸了切割片會被割傷。



- ▶ 佩戴耳罩。工作噪音會損壞聽力。



- ▶ 請佩戴護目鏡。



- ▶ 請佩戴防塵面具。



- ▶ 佩戴工作手套。
- ▶ 鋸片的刀刃十分銳利，作業時會變得非常炙熱。

### 產品和功率描述



閱讀所有的警告提示和指示。如未確實遵循警告提示和指示，可能導致電擊、火災並且 / 或其他的嚴重傷害。

### 按照規定使用機器

本電動工具採立座式設計，可搭配各式鋸片，在金屬材料上進行直線型的縱鋸、橫鋸作業，斜切角可達 45°，過程中毋需注水。不得使用鑽石鋸片。

### 插圖上的機件

機件的編號和電動工具詳解圖上的編號一致。

- 1 起停的防止起顫
- 2 起停開關
- 3 手柄
- 4 活動防護罩
- 5 主軸鎖
- 6 切割片
- 7 角度擋塊
- 8 固定絲桿
- 9 快速解鎖
- 10 絲桿柄
- 11 安裝孔
- 12 內六角扳手 (8 毫米)
- 13 底座
- 14 夾緊鉗口
- 15 工件支撐處適用於橫剖面規格最大為 40 x 40 mm 的工件
- 16 角度擋塊的固定螺絲
- 17 搬運固定裝置
- 18 機臂
- 19 搬運柄
- 20 防護罩
- 21 火花擋板
- 22 主軸
- 23 固定法蘭
- 24 墊片
- 25 墊片

圖表或說明上提到的附件，並不包含在基本的供貨範圍中。本公司的附件清單中有完整的附件供應項目。

## 24 | 中文

## 技術性數據

切割機		GCO 14–24 J	
物品代碼		3 601 M37 2..	
額定輸入功率	瓦		2400
無負載轉速	次 / 分		3800
緩速起動			●
重量符合			
EPTA-Procedure 01 : 2014	公斤		18.0
絕緣等級			□/II
許可的工件尺寸 (最大 / 最小) 參考頁數 25。			
本說明書提供的參數是以 230 伏特為依據，於低電壓地區，此數據有可能不同。			

## 適合本機器的切割片尺寸

最大切割片直徑	毫米	355
最大切割片厚度	毫米	3
接孔直徑	毫米	25.4

## 安裝

## 供貨範圍

小心地從包裝中取出所有的供貨物品。

拆除電動工具和附帶附件上的所有包裝材料。

首度使用電動工具之前，先檢查以下各部件是否包含在供貨範圍中：

- 安裝了切割片的切割研磨機
- 內六角扳手 12

## 固定或活動的安裝方式

► 為了能夠穩定地操作機器，正式使用機器之前，必須把電動工具固定在平坦、穩固的工作平面上（例如工作桌）。

## 在工作平面上安裝機器（參考插圖 A）

- 使用合適的夾鉗把電動工具固定在工作平面上。固定時必須使用孔 11。

## 活動式安裝（不推薦！）

如果情況特殊，無法將電動工具固定在工作地點上，可以借助底座 13 上的腳墊把機器放置在合適的底墊上（例如工作台，平坦的地板等），如此便不需要鎖緊電動工具。

## 更換工具（參考插圖 B1 - B2）

- 啟動主軸鎖 5。只在主軸 22 完全靜止後才可以啟動，否則可能損壞電動工具。
- 工作結束後，如果切割片尚未冷卻，不可以觸摸切割片。工作時切割片會變得非常灼熱。

必須根據本說明書中提出的各項技術數據選擇切割片。另外切割片上必須標示了通過 EN 12413 檢驗的標志。

鋸片若有隨附間隔片，使用時請一併裝上。

把不使用的切割片放置在封閉的容器或原包裝中。儲存切割片時要採取平放的方式。

## 拆卸切割片

- 把電動工具調整在工作位置上。"解開電動工具的鎖定（工作位置）"，第 24 頁。
- 把活動防護罩 4 向後掀到盡頭。
- 請用隨附的內六角扳手 12 旋轉六角螺栓 25，並同時按下主軸鎖 5，直到卡緊為止。
- 按住主軸鎖並轉出六角螺絲 25。
- 取出墊片 24 和固定法蘭 23。
- 拆下切割片 6。

## 安裝切割片

- 把新的切割片裝在主軸 22 上，切割片上的標貼必須朝外，即背向著機臂。
- 裝上固定法蘭 23、墊片 24 及六角螺栓 25。按壓主軸鎖 5 並讓它卡緊，接著再將六角螺栓 25 沿順時針方向重新鎖緊。（擰緊扭力約為 18 - 20 牛頓米）
- 慢慢放下活動防護罩 4，至遮蓋住切割片為止。
- 要確定活動防護罩 4 能夠正常地運作。

安裝好切割片之後以及在開動機器之前，必須檢查是否已經正確地安裝好切割片，切割片是否能夠無阻地旋轉。

- 要確定切割片不會和活動防護罩 4，防護罩 20 或其他的零件產生磨擦。
  - 先讓電動工具運作約 30 秒。
- 如果機器在運轉時出現明顯的震動，必須馬上關閉電動工具，拆除切割片並且重新安裝。

## 操作

## 搬運固定裝置（參考插圖 C）

搬運固定裝置 17 可以減輕運輸電動工具時的搬運工作。

## 解開電動工具的鎖定（工作位置）

- 握住手柄 3 並輕輕地下壓機臂，以便減輕搬運固定裝置 17 的負荷。
- 向外拉出搬運固定裝置 17。
- 慢慢向上提起機臂。

**指示：**工作時必須注意，不可以向內壓入搬運固定裝置，如果搬運固定裝置被內壓了，便無法把機臂降到需要的高度上。

## 鎖定電動工具（搬運位置）

- 放下機臂至能夠把搬運固定裝置 17 完全壓入為止。

其他有關搬運的指示請參考頁數 26。



### 調整斜角角度 (參考插圖 D)

斜角角度的範圍為 0 度到 45 度。  
在角度擋塊 7 上，標示了常用的設定值。0 度角和 45 度角分別位在兩個盡端擋塊上。

- 使用隨附的內六角扳手 12 (開口度 8 mm) 鬆開角度擋塊的止付螺絲 16。
- 設定好需要的角度，並再度擰緊兩個固定螺絲 16。

### 移動角度擋塊 (參考插圖 D 和 E)

如果您要分割寬度大過 140 毫米的工件時，可以向後移動角度擋塊 7。

- 使用隨附的內六角扳手 12 (開口度 8 mm) 將止付螺絲 16 完全轉出來。
- 您可根據需要的距離，將角度擋塊 7 向後移動一個鑽孔或向後移動兩個鑽孔。
- 設定好需要的角度，並再度擰緊兩個固定螺絲 16。

### 固定工件

為了確保工作安全務必固定好工件。  
不可以加工因為體積太小而無法固定的工件。

#### 固定工件 (參考插圖 E)

- 把工件靠在角度擋塊 7 上。
- 把固定絲桿 8 推靠在工件上，借助絲桿柄 10 夾緊工件。

請將工件 (橫剖面規格最大為 40 x 40 mm) 固定在工件支撐處上 (參考插圖 F-H)

- 請到角度擋塊 7 上，將角度調為標準斜鋸角 0°。
- 將工件支撐處 15 稍微抬高，然後讓它穿過角度擋塊的卡槽。
- 將工件支撐處的卡鉤掛入夾鉗 14 的開孔。
- 將工件放置到工件支撐處 15 上。
- 把固定絲桿 8 推靠在工件上，借助絲桿柄 10 夾緊工件。

▶ 放上工件時，請務必確認工件支撐處穩固地與夾鉗接合在一起，不可側傾。

▶ 請確認工件支撐處上的工件其高度不得超過 40 mm。工件上部無法確實夾緊。

▶ 使用後，請務必將工件支撐處從角度擋塊中完全推回原來的位置。突出的卡鉤可防止工件夾緊後完全卡死。

### 放鬆工件

- 擰松絲桿柄 10。
- 掀開快速解鎖 9，抽出靠在工件上的固定絲桿 8。

### 操作機器

加工含鉛的顏料以及礦物和金屬所產生的廢塵 有害健康。機器操作者或者工地附近的人如果接觸、吸入這些廢塵，可能會有過敏反應並且 / 或者感染呼吸道疾病。

某些金屬廢塵被列為危險物質，尤其是和合金 (例如

鋅、鉛和鎘等) 結合之後。只有經過專業訓練的人才能夠加工含石棉的物料。

- 工作場所要保持空氣流通。
- 最好佩戴 P2 濾網等級的口罩。

請留心並遵守貴國和加工物料有關的法規。

工作塵，廢屑或工件的碎屑，可能造成切割片卡在底座 13 的開口中。

- 關閉電動工具，並且從插座中拔出插頭。
- 靜候，待切割片完全停止旋轉。
- 向後翻轉電動工具，以便讓工件的廢屑從開口中掉落。  
必要時得使用合適的工具清除所有的工件廢屑。

### 開動和關閉 (參考插圖 I)

- 操作之前先按下防止起動裝置 1。
- 接著再按住起停開關 2。

**指示：** 基于安全的顧慮，起停開關 2 無法被鎖定。所以操作機器時必須持續地按住開關。

- 放開 起停開關 2 便可以關閉機器。

### 緩速起動

電子控制的緩速起動功能可以限制開機時的扭力，並延長馬達的使用壽命。


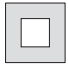


### 有關操作方式的指點

#### 切割時的一般性提示

- ▶ 工作結束後，如果切割片尚未冷卻，不可以觸摸切割片。工作時切割片會變得非常灼熱。
- ▶ 確定已經正確地安裝好火花擋板 21。研磨金屬時會產生火花。

#### 許可的工件尺寸

最大 工件：

工件形狀	斜割角度	
	0°	45°
	129 直徑	128 直徑
	119 x 119	110 x 110
	100 x 196	107 x 115
	130 x 130	115 x 115

#### 最小 工件

(= 所有能夠被固定絲桿 8 固定的工件)：

長度 80 毫米

最大鋸割深度 (0° / 0°)：129 毫米

## 26 | 한국어

**切割金屬**

- 請依照需求設為您所想要的斜切角。
- 根據尺寸固定好工件。
- 開動電動工具。
- 握住手柄 3 並慢慢地放下機臂。
- 使用均勻的推進力切割工件。
- 關閉電動工具並靜候，讓切割片完全停止轉動。
- 慢慢向上提起機臂。

**搬運**

- 提電動工具時，一定要握著搬運柄 19。
- ▶ 搬動電動工具時只能使用搬運裝置。不可以利用防護裝置來搬運電動工具。

**維修和服務****維修和清潔**

- ▶ 維修電動工具或換裝零、配件之前，務必從插座上拔出插頭。
- ▶ 在某些極端的操作環境下，如果可能的話一定要使用吸塵裝備。時常將通氣孔上累積的塵垢噴吹乾淨，並在前側加設漏電斷路器 (PRCD)。加工金屬時可能在電動工具的內部堆積會導電的廢塵。這樣可能會影響電動工具的安全絕緣性能。

如果必須更換連接線，務必把這項工作交給博世或者經授權的博世電動工具顧客服務執行，以避免危害機器的安全性能。

活動防護罩必須能夠無阻地來回擺動，並且要能夠自動關閉，所以防護罩的四周必須隨時保持清潔。

**附件****物品代碼****適用於任何金屬材質的鋸片**

切割片 355 x 25.4 毫米	2 608 600 208
切割片 355 x 25.4 毫米	2 608 600 223

**顧客服務處和顧客諮詢中心**

本公司顧客服務處負責回答有關本公司產品的修理、維護和備件的問題。以下的網頁中有爆炸圖和備件的資料：

[www.bosch-pt.com](http://www.bosch-pt.com)

博世顧客諮詢團隊非常樂意為您解答有關本公司產品及附件的問題。

當您需要諮詢或訂購備用零組件時，請務必提供本產品型號銘牌上的 10 位項目編號。

**台灣**

台灣羅伯特博世股份有限公司  
 建國北路一段 90 號 6 樓  
 台北市 10491  
 電話：(02) 2515 5388  
 傳真：(02) 2516 1176  
[www.bosch-pt.com.tw](http://www.bosch-pt.com.tw)

**製造商地址：**

Robert Bosch Power Tools GmbH  
 羅伯特·博世電動工具有限公司  
 70538 Stuttgart / GERMANY  
 70538 斯圖加特 / 德國

**處理廢棄物**

必須以符合環保的方式，回收再利用損壞的機器、附件和廢棄的包裝材料。



不可以把電動工具丟入家庭垃圾中。

保留修改權。

**한국어****안전 수칙****일반 전동공구 안전 수칙**

**⚠ 경고** 본 전동공구와 함께 제공된 모든 안전 수칙, 지시 사항, 그림 및 제원을 숙지하십시오. 다음의 지시 사항을 준수하지 않으면 화재 위험이 있으며 감전 혹은 중상을 입을 수 있습니다.

**추후 참조할 수 있도록 모든 안전 수칙과 지시 사항을 저장하십시오.**

다음에서 사용되는 “전동공구” 라는 개념은 전원엔 연결하여 사용하는 전동 기기 (전선이 있는) 나 배터리를 사용하는 전동 기기 (전선이 없는) 를 의미합니다.

**⚠ 경고** 전동공구를 사용할 때 감전, 상해 및 화재를 방지하기 위해 다음의 기본적인 안전수칙을 준수해야 합니다.

**본 전동공구를 사용하기 전에 설명서 내용을 모두 읽고 안전수칙을 잘 보관하십시오.**

**작업장 안전**

▶ 작업장을 항상 깨끗이 하고 조명을 밝게 하십시오. 작업장 환경이 어수선하거나 어두우면 사고를 초래할 수 있습니다.

▶ 가연성 유체, 가스 또는 분진이 있어 폭발 위험이 있는 환경에서 전동공구를 사용하지 마십시오. 전동공구는 분진이나 증기에 점화하는 스파크를 일으킬 수 있습니다.

▶ **전동공구를 사용할 때 구경꾼이나 어린이 혹은 다른 사람이 작업장에 접근하지 못하게 하십시오.** 다른 사람이 주의를 산만하게 하면 기기에 대한 통제를 잃기 쉽습니다.

#### 전기에 관한 안전

▶ **전동공구의 전원 플러그가 전원 콘센트에 잘 맞아야 합니다.** 플러그를 조금이라도 변경시켜서는 안됩니다. 접지된 전동공구를 사용할 때 어댑터 플러그를 사용하지 마십시오. 변형되지 않은 플러그와 잘 맞는 콘센트를 사용하면 감전의 위험을 감소할 수 있습니다.

▶ **파이프 관, 라디에이터, 레인지, 냉장고와 같은 접지 표면에 몸이 닿지 않도록 하십시오.** 몸에 닿을 경우 감전될 위험이 높습니다.

▶ **전동공구를 비에 맞지 않게 하고 습기 있는 곳에 두지 마십시오.** 전동공구에 물이 들어가면 감전될 위험이 높습니다.

▶ **전원 코드를 잡고 전동공구를 운반하거나 걸어 놓아서는 안되며, 콘센트에서 전원 플러그를 뽑을 때 전원 코드를 잡아 당겨서는 절대로 안됩니다.** 전원 코드가 열과 오일에 접촉하는 것을 피하고, 날카로운 모서리나 기기의 가동 부위에 닿지 않도록 주의하십시오. 손상되거나 영긴 전원 코드는 감전을 유발할 수 있습니다.

▶ **실외에서 전동공구로 작업할 때는 실외용으로 적당한 연장 전원 코드만을 사용하십시오.** 실외용 연장 전원 코드를 사용하면 감전의 위험을 줄일 수 있습니다.

▶ **전동공구를 습기 찬 곳에서 사용해야 할 경우에는 누전 차단기를 사용하십시오.** 누전 차단기를 사용하면 감전 위험을 줄일 수 있습니다.

#### 사용자 안전

▶ **신중하게 작업하십시오.** 작업을 할 때 주의를 하며, 전동공구를 사용할 때 경솔하게 행동하지 마십시오. 피로한 상태이거나 약을 복용 및 음주한 후에는 전동공구를 사용하지 마십시오. 전동공구를 사용할 때 잠이라도 주의를 산만해지면 중상을 입을 수 있습니다.

▶ **작업자 안전을 위한 장치를 사용하십시오.** 항상 보안경을 착용하십시오. 전동공구의 종류와 사용에 따라 먼지 보호 마스크, 미끄러지지 않는 안전한 신발, 안전모 또는 귀마개 등의 안전한 복장을 하면 상해의 위험을 줄일 수 있습니다.

▶ **실수로 기기가 작동되지 않도록 주의하십시오.** 전동공구를 전원에 연결하거나 배터리를 끼우기 전에, 혹은 기기를 들거나 운반하기 전에, 전원 스위치가 꺼져 있는지 다시 확인하십시오. 전동공구를 운반할 때 전원 스위치가 손가락을 대거나 전원 스위치가 켜진 상태에서 전원을 연결하면 사고 위험이 높습니다.

▶ **전동공구를 사용하기 전에 조절하는 툴이나 나사 키 등을 빼 놓으십시오.** 회전하는 부위에 있는 툴이나 나사 키로 인해 상처를 입을 수 있습니다.

▶ **자신을 과신하지 마십시오.** 불안정한 자세를 피하고 항상 평형을 이룬 상태로 작업하십시오. 안정된 자세와 평형한 상태로 작업해야만이 의외의 상황에서도 전동공구를 안전하게 사용할 수 있습니다.

▶ **알맞은 작업복을 입으십시오.** 헐렁한 복장을 하거나 장신구를 착용하지 마십시오. 머리카락이 가동하는 기기 부위에 가까이 닿지 않도록 주의하십시오. 헐렁한 복장, 장신구 혹은 긴 머리는 가동 부위에 말려 사고를 초래할 수 있습니다.

▶ **분진 추출장치나 수거장치의 조립이 가능한 경우, 이 장치가 연결되어 있는지, 제대로 작동이 되는지 확인하십시오.** 이러한 분진 추출장치를 사용하면 분진으로 인한 사고 위험을 줄일 수 있습니다.

▶ **툴을 자주 사용한다고 해서 안주하는 일이 없게 하고 공구의 안전 수칙을 무시하지 않도록 하십시오.** 부주의하게 취급하여 순간적으로 심각한 부상을 입을 수 있습니다.

#### 전동공구의 올바른 사용과 취급

▶ **기기를 과부하 상태에서 사용하지 마십시오.** 작업할 때 이에 적합한 전동공구를 사용하십시오. 알맞은 전동공구를 사용하면 지정된 성능 한도 내에서 더 효율적으로 안전하게 작업할 수 있습니다.

▶ **전원 스위치가 고장 난 전동공구를 사용하지 마십시오.** 전원 스위치가 작동되지 않는 전동공구는 위험하므로, 반드시 수리를 해야 합니다.

▶ **전동공구를 조정하거나 액세서리 부품 교환 혹은 공구를 보관할 때, 항상 전원 콘센트에서 플러그를 미리 빼어 놓거나 배터리를 분리하십시오.** 이러한 조치는 실수로 전동공구가 작동하게 되는 것을 예방합니다.

▶ **사용하지 않는 전동공구는 어린이 손이 닿지 않는 곳에 보관하고, 전동공구 사용에 익숙지 않거나 이 사용 설명서를 읽지 않은 사람은 기기를 사용해서는 안 됩니다.** 경험이 없는 사람이 전동공구를 사용하면 위험합니다.

▶ **전동공구 및 액세서리를 조심스럽게 관리하십시오.** 가동 부위가 하자 없이 정상적인 기능을 하는지, 걸리는 부위가 있는지, 혹은 전동공구의 기능에 중요한 부품이 손상되지 않았는지 확인하십시오. 손상된 기기의 부품은 전동공구를 다시 사용하기 전에 반드시 수리를 맡기십시오. 제대로 관리하지 않은 전동공구의 경우 많은 사고를 유발합니다.

▶ **절단 공구를 날카롭고 깨끗하게 관리하십시오.** 날카로운 절단면이 있고 잘 관리된 절단공구는 걸리는 경우가 드물고 조절하기도 쉽습니다.

▶ **전동공구, 액세서리, 장착하는 공구 등을 사용할 때, 이 지시 사항과 특별히 기종 별로 나와있는 사용 방법을 준수하십시오.** 이때 작업 조건과 실시하려는 작업 내용을 고려하십시오. 원래 사용 분야가 아닌 다른 작업에 전동공구를 사용할 경우 위험한 상황을 초래할 수 있습니다.

▶ **손잡이 및 잡는 면을 건조하게 유지하고, 오일 및 그리스 묻어 있지 않도록 깨끗하게 하십시오.** 손잡

## 28 | 한국어

이 또는 잡는 면이 미끄러우면 예상치 못한 상황에서 안전한 취급 및 제어가 어려워집니다.

## 서비스

- ▶ **전동공구 수리는 반드시 전문 인력에게 맡기고, 수리 정비 시 보쉬 순정 부품만을 사용하십시오.** 그렇게 함으로써 기기의 안전성을 오래 유지할 수 있습니다.

## 절단 장비에 대한 안전 경고사항

- ▶ **작업자 자신 및 주변 사람들이 회전하는 휠의 작업대 가까이에 머물지 않도록 하십시오.** 가드는 손상된 휠 파편에 닿거나 실수로 휠에 닿는 일이 없도록 작업자를 보호해 줍니다.
- ▶ **전동공구에 강화 복합재 휠만 사용하십시오.** 액세서리를 공구에 부착할 수 있다고 해서 안전한 작업이 보장되는 것은 아닙니다.
- ▶ **액세서리의 정격 속도는 적어도 공구에 표시되어 있는 최고 속도와 동일해야 합니다.** 정격 속도보다 빠르게 작동되는 액세서리는 파손되어 분리될 수 있습니다.
- ▶ **휠은 권장된 용도로만 사용해야 합니다.** 예: 절단 휠 측면에 연마 작업을 하지 마십시오. 연삭 절단 휠은 원주 연삭 용도로 사용되며, 휠의 측면에 힘을 주면 산산이 부서질 수 있습니다.
- ▶ **항상 선택한 휠에 맞는 직경을 갖춘 손상되지 않은 휠 플랜지를 사용하십시오.** 적합한 휠 플랜지는 휠을 받쳐주어 휠이 파손될 가능성을 줄여줍니다.
- ▶ **액세서리의 외경 및 두께는 공구가 수용할 수 있는 범위 내에 있어야 합니다.** 액세서리의 사이즈가 부정확한 경우 제대로 보호받지 못하거나 제어되지 않을 수 있습니다.
- ▶ **휠 및 플랜지의 주축 사이즈는 전동공구의 스피들에 잘 맞아야 합니다.** 주축 구멍이 있는 휠 및 플랜지가 전동공구의 하드웨어에 맞지 않을 경우 균형을 잃고 과도하게 진동하며, 통제력을 잃을 수 있습니다.
- ▶ **손상된 휠을 사용하지 마십시오.** 사용하기 전에 항상 휠이 깎이거나 갈라지지 않았는지 점검하십시오. 전동공구나 휠을 떨어뜨린 경우 손상된 부분이 있는지 확인하고, 손상된 경우 손상되지 않은 휠을 설치하십시오. 휠을 점검하고 설치한 뒤, 회전하는 휠 작업대에서 거리를 두고 전동공구를 1분 간 최대 무부하 속도로 작동시키십시오. 휠이 손상된 경우 일반적으로 테스트 도중에 떨어져 나갈 것입니다.
- ▶ **신체 보호 장비를 착용하십시오.** 용도에 따라 안면 보호구, 안전 고글 또는 보안경을 착용하십시오. 필요한 경우, 작은 연삭 파편 또는 가공품 파편을 막을 수 있는 방진 마스크, 청력보호구, 장갑 및 작업용 앞치마를 착용하십시오. 보안경은 여러 작업을 진행하면서 생성되는 비산 파편들을 차단할 수 있어야 합니다. 마스크나 방독 마스크는 작업하면서 생성되는 먼지를 걸러낼 수 있어야 합니다. 오랫동안 고강도의 소음에 노출되면 청력이 손상될 수 있습니다.

- ▶ **주변 사람들이 작업 영역으로부터 안전거리를 유지하게 하십시오.** 작업 영역에 진입하는 사람은 모두 **신체 보호 장치를 착용해야 합니다.** 가공품 또는 손상된 휠 파편이 작업 중인 곳 밖으로 날아가 부상을 초래할 수 있습니다.
- ▶ **회전하는 액세서리에 코드가 닿지 않게 하십시오.** 통제력을 잃으면, 코드가 잘리거나 감겨 작업자의 손이나 팔이 회전하는 휠에 빨려 들어갈 수 있습니다.
- ▶ **전동공구의 통풍구를 주기적으로 청소하십시오.** 모터의 팬은 하우징 내부로 먼지를 흡입하는데, 금속가루가 너무 많이 쌓이면 전기 사고 위험을 초래할 수 있습니다.
- ▶ **가연성 소재 근처에서 전동공구를 작동시키지 마십시오.** 전동공구가 목재와 같은 가연성 소재 위에 올려져 있는 경우 공구를 작동하지 마십시오. 스파크로 인해 점화될 수 있습니다.
- ▶ **냉각용 액체가 필요한 액세서리는 사용하지 마십시오.** 물이나 기타 액체 냉매를 이용하면 감전되거나 감전사 할 수 있습니다.

## 반동 및 관련 경고사항

- ▶ 반동이란 회전하는 휠이 꼭 끼이거나 장애물에 걸려 생기는 갑작스런 반작용을 의미합니다. 꼭 끼이거나 장애물에 걸리면 회전하던 휠이 갑작스럽게 멈추면서 **절단 장비가 통제력을 잃고 위쪽으로 날아가 작업자쪽을 향할 수 있습니다.** 예를 들어, 연삭 휠이 가공품에 걸리거나 기일 경우, 끼인 지점으로 들어가는 휠 가장자리가 가공물의 표면을 파고 들어 휠이 튕겨 나올 수 있습니다. 이러한 경우에는 연삭 휠도 파손될 수 있습니다. 반동은 공구를 잘못 사용하거나 잘못된 조작 절차 또는 조건으로 인해 발생할 수 있으며 아래와 같은 적절한 예방 조치를 통해 반동을 막을 수 있습니다.
- ▶ **전동공구를 꼭 잡고 반발력을 저항할 수 있는 자세를 유지하십시오.** 작업자가 적절한 예방 조치를 취한다면 위쪽으로 발생하는 반동력을 제어할 수 있습니다.
- ▶ **몸을 회전하는 휠과 일직선 상에 두지 마십시오.** 반동이 발생하면, 전동 장비가 위쪽으로 날아가 작업자쪽으로 튕겨나갈 수 있습니다.
- ▶ **전기톱, 목공용 날, 10 mm 이상의 간격으로 분할된 다이아몬드 휠이나 톱니가 있는 톱날을 부착하지 마십시오.** 이러한 톱날은 반동을 유발하거나 통제력을 잃게 하는 경우가 많습니다.
- ▶ **휠이 “걸리게” 하거나 과도한 압력을 가하지 마십시오.** 지나치게 깊이 절단하려 하지 마십시오. 휠에 과도한 압력을 가하면 부하가 증가해 휠이 뒤를 리거나 절단 부위에 고착되고, 반동이 생기거나 또는 휠이 파손될 수 있습니다.
- ▶ **어떤 이유든 휠이 고착되거나 절단되지 않을 경우 전동공구의 전원을 끄고 휠이 완전히 멈출 때까지 절단 장비를 잡고 계십시오.** 휠이 움직이는 동안은 절단 부위에서 휠을 떼어내지 마십시오. 그렇지 않으면

면 반응이 생길 수 있습니다. 점검한 후 휠 고착 원인을 제거하십시오.

- ▶ 가공물에서 절단 작업을 다시 시작하지 마십시오. 휠이 최대 속도에 도달한 뒤에 조심스럽게 다시 절단을 시작하십시오. 가공물에서 다시 전동공구를 가동하면 휠이 고착되거나 가공물을 타고 휩 올라가거나 튕겨나갈 수 있습니다.
- ▶ 너무 큰 가공물은 받침대로 받쳐주어 휠이 끼이거나 반동이 발생할 위험을 최소한으로 줄이십시오. 가공물이 너무 크면 그 무게로 인해 처질 수 있습니다. 받침대는 가공물 아래 절단선 가까이, 그리고 휠 양쪽의 가공물 가장자리 가까이에 배치해야 합니다.

**추가 안전 경고 사항**

- ▶ 사용하지 않는 전동공구는 잘 보관하십시오. 보관 장소는 건조하고 잠가둘 수 있는 곳이어야 합니다. 이렇게 하면 전동공구가 보관 중에 손상되거나 혹은 경험 없는 사람이 이를 사용하는 것을 방지할 수 있습니다.
- ▶ 작업하려는 작업물을 항상 잘 고정하십시오. 크기가 너무 작아 고정하기 어려운 작업물에는 작업하지 마십시오. 이 경우 손과 회전하는 절단 디스크와의 간격이 아주 좁기 때문입니다.
- ▶ 절대로 전원 코드가 손상된 전동공구를 사용하지 마십시오. 작업하다가 전원 코드가 손상된 경우 손상된 코드를 만지지 말고 바로 플러그를 빼십시오. 손상된 전원 코드는 감전을 일으킬 위험이 높습니다.
- ▶ 정기적으로 전원 코드가 손상되지 않았는지 확인하고 손상된 코드는 반드시 보쉬 전동공구 지정 AS 센터에 맡겨 수리하도록 하십시오. 손상된 연장 케이블은 교환하십시오. 이렇게 해야만이 전동공구의 안전을 보장할 수 있습니다.
- ▶ 항상 안전반을 사용하십시오. 안전반은 작업자가 절단 디스크의 파편에 다치는 것을 방지하고 실수로 절단 디스크에 접하게 되는 것을 막아줍니다.
- ▶ 기기가 완전히 정지 상태가 될 때까지 자리를 떠나지 마십시오. 잔여 회전하는 삽입공구로 인해 상해를 입을 수 있습니다.

**기호**

다음에 나와 있는 기호는 귀하의 전동공구를 사용하는 데 중요할 수 있습니다. 그러므로 기호와 그 의미를 잘 기억해 두십시오. 기호를 제대로 이해하면 전동공구를 더욱 쉽고 안전하게 사용할 수 있습니다.

**기호 의미**



- ▶ 전동공구가 작동 중일 때 절단작업 부위에 손을 가까이 대지 마십시오. 절단 디스크에 접하게 되면 다칠 위험이 있습니다.

**기호**

**의미**



- ▶ 귀마개를 착용하십시오. 소음의 영향으로 인해 청각을 상실할 수 있습니다.



- ▶ 보안경을 착용하십시오.



- ▶ 분진 마스크를 착용하십시오.



- ▶ 보호용 장갑을 착용하십시오.
- ▶ 절단 디스크의 모서리가 날카롭고, 작업이 진행되면 매우 뜨거워집니다.

**제품 및 성능 소개**



모든 안전수칙과 지시 사항을 상세히 읽고 지켜야 합니다. 다음의 안전수칙과 지시 사항을 준수하지 않으면 화재 위험이 있으며 감전 혹은 중상을 입을 수 있습니다.

**규정에 따른 사용**

본 전동공구는 절단 디스크를 사용하여 금속을 직선 및 45° 이하 연귀각으로 가로 및 세로 방향으로 절단하기 위한 용도로 쓰입니다. 다이아몬드가 장착된 절단 디스크는 사용할 수 없습니다.

**제품의 주요 명칭**

제품의 주요 명칭에 표기된 번호는 도면에 나와있는 전동공구의 그림을 참조하십시오.

- 1 시동 안전 잠금장치
- 2 전원 스위치
- 3 손잡이
- 4 하부 안전반
- 5 스피들 잠금장치
- 6 절단 디스크
- 7 각도 조절자
- 8 고정 스피들
- 9 순간 해제장치
- 10 스피들 손잡이
- 11 조립용 구멍
- 12 육각키 (8 mm)
- 13 밀판
- 14 고정 틀

**30 | 한국어**

- 15 최대 단면이 40 x 40 mm 인 작업 받침대
- 16 각도 조절자 잠금 나사
- 17 운반 안전장치
- 18 톨 암
- 19 운반용 손잡이
- 20 안전반
- 21 불꽃 보호판
- 22 톨 스펐들
- 23 고정 플랜지
- 24 와셔
- 25 육각형 볼트

도면이나 설명서에 나와있는 액세서리는 표준 공급부품에 속하지 않습니다. 전체 액세서리는 저희 액세서리 프로그램을 참고하십시오.

**제품 사양**

고속 절단기	GCO 14-24 J	
제품 번호	3 601 M37 2..	
소비 전력	W	2400
무부하 속도	rpm	3800
소프트 스타트 기능		●

EPTA 공정 01:2014 에 따른

중량	kg	18.0
안전 등급		□/II

작업물의 허용 크기 (최대 / 최소) 32 페이지 참조.

자료는 정격 전압 [U] 230 V 를 기준으로 한 것입니다. 전압이 낮거나 각국의 특수한 모델에 따라 달라질 수 있습니다.

**적당한 절단 디스크의 크기**

절단 디스크의 최대 직경	mm	355
절단 디스크의 최대 두께	mm	3
구멍 직경	mm	25.4

**조립**

**공급 내역**

모든 공급되는 부품을 조심스럽게 포장에서 꺼내십시오. 전동기와 함께 공급되는 액세서리에서 포장재를 빼십시오.

전동공구를 처음 사용하기 전에 먼저 아래에 열거된 부품이 모두 공급되었는지 확인해 보십시오:

- 절단 디스크가 조립된 고속 절단기
- 육각키 12

**고정식 혹은 이동식 조립**

▶ **안전한 작업을 하려면 전동공구를 사용하기 전에 먼저 작업대처럼 안정적이고 평평한 작업면 위에 조립해야 합니다.**

**작업대에 조립하기 (그림 A 참조)**

- 전동공구를 적당한 고정 볼트를 사용하여 작업대에 고정하십시오. 이때 구멍 11을 사용하십시오.

**이동식 설치 (권장 사항이 아님!)**

전동공구를 작업면에 안전하게 조립하기 어려운 경우에 예외적으로 전동공구를 볼트로 조이지 않은 채 밀판 13의 발을 임시로 이에 적당한 바닥 (작업대나 평평한 바닥 등)에 세울 수 있습니다.

**액세서리의 교환 (그림 B1-B2 참조)**

▶ **스핀들 잠금장치 5 는 톨 스펐들 22 가 정지된 상태에서 서만 작동해야 합니다.** 그렇지 않으면 전동공구가 손상될 수 있습니다.

▶ **작업 후 절단 디스크가 완전히 식을 때까지 만지지 마십시오.** 작업 시 절단 디스크가 매우 뜨거워집니다.

이 사용 설명서에 나와있는 특성 자료에 해당되고 EN 12413 대로 테스트를 거쳤다는 표시가 있는 절단 디스크만을 사용하십시오.

상황에 따라 절단 디스크와 함께 공급되는 스페이서를 사용하십시오.

사용하지 않은 절단 디스크는 뚜껑이 있는 용기나 오리지널 포장에 넣어 두십시오. 절단 디스크는 수평 상태로 보관하십시오.

**절단 디스크 탈착하기**

- 전동공구를 작업 시 위치로 둡니다. (“전동공구의 안전장치 풀기 (작업 시 위치)” 참조, 31 페이지)
- 하부 안전반 4 를 끝까지 뒤쪽으로 움직입니다.
- 육각형 볼트 25 를 육각키 12 를 이용하여 돌리면서 동시에 스펐들 잠금장치 5 가 고정될 때까지 누르십시오.
- 스펐들 잠금장치를 누른 상태로 육각형 볼트 25 를 돌려 뺍니다.
- 와셔 24 와 고정 플랜지 23 을 뺍니다.
- 그리고 나서 절단 디스크 6 을 빼십시오.

**절단 디스크 장착하기**

- 새로운 절단 디스크를 끼울 때 디스크 라벨이 톨 암 반대 쪽으로 향하게 하여 톨 스펐들 22 에 고정하십시오.
- 고정 플랜지 23, 와셔 24 및 육각형 볼트 25 를 장착하십시오.
- 스펐들 잠금장치 5 를 누른 후, 절단 디스크가 스펐들 잠금장치 홈에 맞물려 고정될 때까지 돌리십시오. 이후 육각형 볼트 25 를 시계 방향으로 다시 조이십시오. (고정 톨크 약 18-20 Nm)
- 절단 디스크가 가려질 때까지 하부 안전반 4 를 천천히 끝까지 아래로 움직입니다.
- 하부 안전반 4 가 제대로 작동하는지 확인해 보십시오.

절단 디스크를 조립하고 나서 스위치를 켜기 전에 절단 디스크가 올바르게 조립되었는지 아무런 장애 없이 회전하는지 확인해 보십시오.

- 절단 디스크가 하부 안전반 4, 고정되어 있는 안전반 20 또는 다른 부위에 닿지 않도록 해야 합니다.
- 전동공구를 약 30 초간 작동하십시오.

이 경우 강한 진동이 생기면 즉시 전동공구의 스위치를 끄고, 절단 디스크를 다시 분해한 후 조립하십시오.

## 작동

### 운반 안전장치 (그림 C 참조)

운반 안전장치 17이 있어서 다른 장소에서 사용하기 위해 전동공구를 운반할 때 수월하게 다룰 수 있습니다.

### 전동공구의 안전장치 풀기 (작업 시 위치)

- 운반 안전장치 17을 풀려면 손잡이 3을 틀음을 약간 아래로 누릅니다.
- 운반 안전장치 17을 완전히 바깥 쪽으로 당깁니다.
- 틀음을 천천히 위로 움직입니다.

**참고:** 작업할 때 운반 안전장치가 안쪽으로 눌러져 있지 않은지 확인하십시오. 눌러 있으면 틀음을 원하는 깊이까지 누를 수 없습니다.

### 전동공구에 안전장치 하기 (운반 시 위치)

- 운반 안전장치 17이 완전히 안으로 들어갈 때까지 틀음을 아래로 누릅니다.

운반에 관한 기타 주의 사항은 32 페이지를 참조하십시오.

### 마이터 각도 설정하기 (그림 D 참조)

마이터 각도는 0° 에서 45° 사이에서 설정할 수 있습니다.

중요한 설정치는 각도 조절자 7에 해당하는 각도가 표시되어 있습니다. 0° - 위치와 45° - 위치는 각각 양 끝에 세팅되어 있습니다.

- 각도 조절 잠금 나사 16을 육각키 12 (8 mm)로 푸십시오.
- 원하는 각도로 맞추고 나서 2개의 잠금 나사 16을 다시 조이십시오.

### 각도 조절자 위치 바꾸기 (그림 D와 E 참조)

작업물을 140 mm 이상의 너비로 절단하기 원하면 각도 조절자 7을 뒤로 움직일 수 있습니다.

- 잠금 나사 16을 육각키 12 (8 mm)로 돌려 푸십시오.
- 각도 조절자 7을 원하는 간격이 되도록 한 개나 두 개의 구멍만큼 뒤쪽으로 움직입니다.
- 원하는 각도로 맞추고 나서 2개의 잠금 나사 16를 다시 조이십시오.

### 작업을 고정하기

작업을 안전하게 실시하려면 작업물을 항상 단단히 고정해야 합니다. 크기가 너무 작아 고정하기 어려운 작업물에는 작업하지 마십시오.

### 작업을 고정하기 (그림 E 참조)

- 작업물을 각도 조절자 7에 대십시오.
- 고정 스펀들 8을 작업물 쪽으로 밀고 나서 스펀들 손잡이 10으로 작업물을 고정하십시오.

### 받침대에 작업을 고정하기 (최대 단면 40 x 40 mm) (그림 F-H 참조)

- 각도 조절자 7을 표준 마이터 각도인 0°로 설정하십시오.
- 작업물 받침대 15를 약간 들어 올려 이를 각도 조절자의 홈으로 미십시오.
- 작업물 받침대의 고리를 고정 톨 14의 구멍에 거십시오.
- 작업물을 받침대 15에 놓으십시오.
- 고정 스펀들 8을 작업물 쪽으로 밀고 나서 스펀들 손잡이 10으로 작업물을 고정하십시오.

▶ 작업물 받침대가 고정 톨과 단단하게 연결되어 있고 작업물을 올려 놓아도 기울어지지 않는지 확인하십시오.

▶ 받침대에서 작업물의 높이가 최대 40 mm를 넘지 않는지 확인하십시오. 높이가 높은 작업물은 안전하게 고정되지 않을 수도 있습니다.

▶ 작업을 받침대가 사용 후 각도 조절자 안으로 완전히 들어가 있는지 확인하십시오. 고리가 돌출되어 있으면 작업물이 안전하게 고정되지 못합니다.

### 작업을 빼기

- 스펀들 손잡이 10을 풀어 줍니다.
- 순간 해제장치 9를 열고 고정 스펀들 8을 작업물에서 잡아 당깁니다.

### 기계 시동

납 성분을 함유한 페인트나 광물 성분 혹은 금속과 같은 소재의 분진은 건강을 해칠 수 있습니다. 작업자나 주변에 있는 사람들이 이 분진을 만지거나 호흡할 경우 알레르기 반응 그리고 / 혹은 호흡기 질환이 발생할 수 있습니다.

특히 아연, 알루미늄 혹은 크롬 등 합금과 복합된 금속 분진은 위험합니다. 석면 성분을 함유한 소재는 오직 전문가가 작업해야 합니다.

- 작업장의 통풍이 잘 되도록 하십시오.
- 필터등급 P2가 장착된 호흡 마스크를 사용하십시오.

작업용 재료에 관해 국가가 지정한 규정을 고려 하십시오.

절단 디스크는 밀판 13의 파진 부위에 있는 분진, 톨밥 혹은 작업물의 부스러기로 인해 정지될 수 있습니다.

- 이러한 경우 전동공구의 스위치를 끄고 전원 콘센트에서 플러그를 빼십시오.
- 절단 디스크가 완전히 정지 상태가 될 때까지 기다리십시오.
- 소형의 작업물 조각이 이를 위해 만들어진 구멍에서 빠지도록 전동공구를 뒤로 기울이십시오. 경우에 따라 모든 작업물 조각을 빼기 위해 적절한 공구를 사용하십시오.

32 | 한국어

**전원 스위치 작동하기 (그림 1 참조)**

- 기기를 **작동하려면** 먼저 시동 안전 잠금장치 **1**을 누릅니다.  
그리고 나서 전원 스위치 **2**를 누른 채 유지하십시오.

**참고:** 작업 안전을 위해 전원 스위치 **2**를 고정할 수 없으므로, 작동 중에 이를 계속 누른 채 유지해야 합니다.

- 기기의 **스위치를 끄려면** 전원 스위치 **2**를 놓으면 됩니다.

**소프트 스타트 기능**

전자식 소프트 스타트 기능이 있어 스위치를 켤 때 토크를 제한하여 모터의 수명을 연장합니다.

**사용방법**

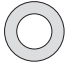
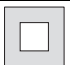

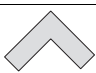
**절단작업에 관한 안전 수칙**

▶ **작업 후 절단 디스크가 완전히 식을 때까지 만지지 마십시오.** 작업 시 절단 디스크가 매우 뜨거워집니다.

▶ **불꽃 보호판 21이 규정대로 제대로 조립되었는지 확인해 보십시오.** 금속에 그라인딩 작업을 할 때 불꽃이 생깁니다.

**작업물 허용 크기**

최대 작업물 크기:

작업물 형태	미터 / 베벨 각도	
	0°	45°
	129 직경	128 직경
	119 x 119	110 x 110
	100 x 196	107 x 115
	130 x 130	115 x 115

**최소 작업물 크기**

(= 고정 스펀들 **8**로 고정할 수 있는 모든 작업물): 길이 80 mm

**최대 절단 깊이 (0° / 0°):** 129 mm

**금속 절단작업**

- 필요에 따라 원하는 미터 각도를 조정하십시오.
- 작업물을 크기에 맞게 고정하십시오.
- 전동공구의 스위치를 켜십시오.
- 톨 암을 손잡이 **3**을 사용하여 천천히 아래로 움직입니다.
- 일정하게 앞으로 밀면서 작업물을 절단하십시오.
- 전동공구를 끄고 절단 디스크가 완전히 정지 상태가 될 때까지 기다립니다.

- 톨 암을 서서히 위쪽으로 움직입니다.

**운반**

- 항상 전동공구의 운반용 손잡이 **19**를 잡고 운반하십시오.

▶ **전동공구를 운반할 경우 반드시 운반장치를 사용하고 절대로 안전장치를 사용하지 않습니다.**

**보수 정비 및 서비스**

**보수 정비 및 유지**

▶ **전동공구를 보수 정비하기 전에 반드시 콘센트에서 전원 플러그를 빼십시오.**

▶ **열악한 환경에서 작업할 경우 가능한 한 추출장치를 항상 사용하도록 하십시오.** 통풍구를 자주 청소하고 누전 차단기 (PRCD)에 연결하십시오. 금속 소재에 작업할 경우 전도성 분진이 전동공구 안에 쌓이게 되면 전동공구의 보호 절연장치 기능에 장애가 생길 수 있습니다.

연결 코드를 교환해야 할 경우 안전을 기하기 위해 보쉬사나 보쉬 지정 전동공구 서비스 센터에 맡겨야 합니다.

하부 안전반은 항상 자유로이 움직이고 저절로 닫힐 수 있어야 합니다. 그렇기 때문에 하부 안전반 주위를 항상 깨끗이 해야 합니다.

**별매 액세서리**

제품 번호	
<b>모든 금속 소재용 절단 디스크</b>	
절단 디스크 355 x 25.4 mm	2 608 600 208
절단 디스크 355 x 25.4 mm	2 608 600 223

**보쉬 AS 및 고객 상담**

보쉬는 귀하의 제품 및 수리에 관한 문의를 받고 있습니다.

AS 센터 정보 및 제품에 대한 고객 상담은 하기 고객 콜센터 및 이메일 상담을 이용해주시기 바랍니다.

**고객 콜센터 : 080-955-0909**

**이메일 상담 :**

**Bosch-pt.hotline@kr.bosch.com**

문의나 대체 부품 주문 시에는 반드시 제품 네임 플레이트에 있는 10 자리의 부품번호를 알려 주십시오.

Bosch Korea, RBKR  
Mechanics and Electronics Ltd.

PT/SAX-ASA  
298 Bojeong-dong Giheung-gu  
Yongin-si, Gyeonggi-do, 446-913  
080-955-0909



**처리**

기기와 액세서리 및 포장 등은 친환경적인 방법으로 재 활용할 수 있도록 분류하십시오.



전동공구를 가정용 쓰레기로 처리하지 마십시오!

위 사항은 사전 예고 없이 변경될 수도 있습니다.

**ภาษาไทย****กฎระเบียบเพื่อความปลอดภัย****คำเตือนทั่วไปเพื่อความปลอดภัยในการใช้เครื่องมือไฟฟ้า**

**⚠ คำเตือน** อ่านคำเตือนเพื่อความปลอดภัย คำแนะนำ ภาพประกอบ และข้อมูลจำเพาะทั้งหมดที่จัดส่งมาพร้อมกับเครื่องมือไฟฟ้านี้ การไม่ปฏิบัติตามคำแนะนำทั้งหมดที่ระบุไว้ด้านล่างนี้อาจทำให้ถูกไฟฟ้าดูด เกิดไฟไหม้ และ/หรือได้รับบาดเจ็บอย่างร้ายแรง เก็บรักษาคำเตือนและคำแนะนำทั้งหมดไว้เป็นข้อมูลอ้างอิงในภายหลัง

คำว่า "เครื่องมือไฟฟ้า" ในคำเตือนหมายถึง เครื่องมือไฟฟ้าของช่างที่ทำงานผ่านแหล่งจ่ายไฟฟ้าหลัก (มีสายไฟฟ้า) หรือเครื่องมือไฟฟ้าที่ทำงานผ่านแบตเตอรี่ (ไร้สาย)

**⚠ คำเตือน** เพื่อป้องกันอันตรายจากไฟไหม้ ไฟดูด และการบาดเจ็บ เมื่อใช้เครื่องมือไฟฟ้า ต้องปฏิบัติตามมาตรการด้านความปลอดภัยพื้นฐานต่อไปนี้เสมอ ต้องอ่านคำสั่งทั้งหมดนี้ก่อนใช้งานผลิตภัณฑ์ และเก็บรักษาคำแนะนำเพื่อความปลอดภัยนี้ไว้ให้

**ความปลอดภัยในสถานที่ทำงาน**

- ▶ รักษาสถานที่ทำงานให้สะอาดและมีไฟส่องสว่างดี สถานที่ที่มีมืดหรือรกรุงรังนำมาซึ่งอุบัติเหตุ
- ▶ อย่าใช้เครื่องมือไฟฟ้าในสภาพแวดล้อมที่เสี่ยงต่อการคิดระเบิดได้ เช่น ในพื้นที่มีของเหลว แก๊ส หรือฝุ่นที่ติดไฟได้ เมื่อใช้เครื่องมือไฟฟ้าจะเกิดประกายไฟซึ่งอาจจุดฝุ่นหรือไอให้ลุกเป็นไฟได้
- ▶ ระวังการใช้เครื่องมือไฟฟ้าทำงาน ต้องกั้นเด็กและผู้ยืนดูให้ออกห่าง การหันเหความสนใจอาจทำให้ท่านขาดการควบคุมเครื่องได้

**ความปลอดภัยเกี่ยวกับไฟฟ้า**

- ▶ ปลั๊กของเครื่องมือไฟฟ้าต้องมีขนาดพอดีกับเต้าเสียบ อย่าตัดแปลงหรือแก้ไขตัวปลั๊กอย่างเด็ดขาด อย่าต่อปลั๊กต่อกันเข้าด้วยกัน เครื่องมือไฟฟ้าที่มีสายดิน ปลั๊กที่ไม่ตัดแปลงและเต้าเสียบที่เข้ากันช่วยลดความเสี่ยงจากการถูกไฟฟ้าดูด
- ▶ หลีกเลี่ยงไม่ให้ร่างกายสัมผัสกับพื้นผิวของสิ่งของที่ต้องสายดินไว้ เช่น ท่อ เครื่องทำความร้อน เต้า และตู้เย็น สะท้อนอันตรายจากการถูกไฟฟ้าดูดมากขึ้นหากกระแสไฟฟ้าวิ่งผ่านร่างกายของท่านลงดิน

- ▶ อย่าวางเครื่องมือไฟฟ้าตากฝนหรือทิ้งไว้ในที่ชื้นและหากน้ำเข้าในเครื่องมือไฟฟ้า จะเพิ่มความเสี่ยงจากการถูกไฟฟ้าดูด
- ▶ อย่าใช้สายไฟฟ้าอย่างผิดๆ อย่าถือเครื่องมือไฟฟ้าที่สาย อย่าใช้สายเครื่อง หรืออย่าดึงสายไฟฟ้าเพื่อถอดปลั๊กออกจากเต้าเสียบ กันสายไฟฟ้าออกจากความร้อน น้ำมัน ขอบแหลมคม หรือส่วนของเครื่องที่กำลังเคลื่อนไหว สายไฟฟ้าที่ชำรุดหรือพันกันยุ่งเพิ่มความเสี่ยงจากการถูกไฟฟ้าดูด
- ▶ เมื่อใช้เครื่องมือไฟฟ้าทำงานกลางแจ้ง ให้ใช้สายไฟต่อที่ได้รับการรับรองให้ใช้ต่อในที่กลางแจ้งเท่านั้น การใช้สายไฟต่อที่เหมาะสมสำหรับงานกลางแจ้งช่วยลดอันตรายจากการถูกไฟฟ้าดูด
- ▶ หากไม่สามารถหลีกเลี่ยงการใช้เครื่องมือไฟฟ้าทำงานในสถานที่เปียกชื้นได้ ให้ใช้สวิตช์ตัดวงจรเมื่อเกิดการรั่วไหลของไฟฟ้าจากสายดิน การใช้สวิตช์ตัดวงจรเมื่อเกิดการรั่วไหลของไฟฟ้าจากสายดินช่วยลดความเสี่ยงต่อการถูกไฟฟ้าดูด

**ความปลอดภัยของบุคคล**

- ▶ ท่านต้องอยู่ในสภาพเตรียมพร้อม ระมัดระวัง ในสิ่งที่กำลังทำอยู่ และมีสติขณะใช้เครื่องมือไฟฟ้าทำงาน อย่าใช้เครื่องมือไฟฟ้าขณะที่ท่านกำลังเหนื่อย หรืออยู่ภายใต้การครอบงำของฤทธิ์ของยาเสพติด แอลกอฮอล์ และยา เมื่อใช้เครื่องมือไฟฟ้าทำงาน ในขั้นเวลาที่ท่านขาดความเอาใจใส่อาจทำให้บุคคลบาดเจ็บอย่างรุนแรงได้
- ▶ ใช้อุปกรณ์ปกป้องร่างกาย สวมแว่นตาป้องกันเสมอ อุปกรณ์ปกป้อง เช่น หน้ากากกันฝุ่น รองเท้านกตีน หมวกแข็ง หรือประภททุกชิ้นเสี่ยงดั่ง ที่เลือกใช้ตามความเหมาะสมกับสภาพการทำงาน สามารถลดอันตรายต่อบุคคลได้
- ▶ ป้องกันการติดเครื่องโดยไม่ตั้งใจ ปล่อยให้แน่ใจว่าสวิตช์อยู่ในตำแหน่งปิดก่อนเสียบปลั๊กไฟเข้าในเต้าเสียบ และ/หรือใส่แบตเตอรี่แพ็ค ยกขึ้นหรือถือเครื่องมือ การถือเครื่องโดยใช้นิ้วหัวที่สวิตช์ หรือเสียบปลั๊กไฟขณะสวิตช์เปิดอยู่ อาจนำไปสู่อุบัติเหตุที่ร้ายแรงได้
- ▶ เอาเครื่องมือปรับแต่งหรือประแจปากตายออกจากเครื่องมือไฟฟ้าก่อนเปิดสวิตช์ เครื่องมือหรือประแจปากตายที่วางอยู่กับส่วนของเครื่องที่กำลังหมุนจะทำให้บุคคลบาดเจ็บได้
- ▶ หลีกเลี่ยงการดัดงัดที่ผิดปกติ ตั้งท้ายันที่มั่นคงและวางน้ำหนักให้สมดุลตลอดเวลา ในลักษณะนี้ท่านสามารถควบคุมเครื่องมือไฟฟ้าในสถานการณ์ที่ไม่คาดคิดได้ดีกว่า
- ▶ แต่งกายให้เหมาะสมอย่าใส่เสื้อผ้าหลวมหรือสวมเครื่องประดับอย่างหมวก เสื้อผ้าหลวม เครื่องประดับ และผมยาวอาจเข้าไปติดในส่วนของเครื่องที่กำลังหมุนได้
- ▶ หากต้องต่อเครื่องมือไฟฟ้าเข้ากับเครื่องดูดฝุ่นหรือเครื่องเก็บผง ดูให้แน่ใจว่าการเชื่อมต่อและการใช้งานเป็นไปอย่างถูกต้อง การใช้อุปกรณ์ดูดฝุ่นช่วยลดอันตรายที่เกิดจากฝุ่นได้
- ▶ เมื่อใช้งานเครื่องบ่อยครั้งจะเกิดความคุ้นเคย อย่าให้ความคุ้นเคยทำให้ท่านเกิดความชะล่าใจและละเลยกฎเกณฑ์ด้านความปลอดภัยในการใช้งานเครื่อง

## 34 | ภาษาไทย

การทำงานอย่างไม่มีระดับอาจทำให้เกิดการบาดเจ็บอย่างร้ายแรงภายในเสี้ยววินาที

### การใช้และการดูแลรักษาเครื่องมือไฟฟ้า

- ▶ **อย่าใช้เครื่องมือไฟฟ้าอย่างหักโหม ใช้เครื่องมือไฟฟ้าที่ถูกต้องตรงตามลักษณะงาน** เครื่องมือไฟฟ้าที่ถูกต้องจะทำงานได้ดีกว่าและปลอดภัยกว่าในระดับสมรรถภาพที่ออกแบบไว้
- ▶ **อย่าใช้เครื่องมือไฟฟ้าที่สวิตช์เปิดปิดเสีย** เครื่องมือไฟฟ้าที่ไม่สามารถควบคุมการเปิดปิดด้วยสวิตช์ได้ เป็นเครื่องมือไฟฟ้าที่ไม่ปลอดภัยและต้องส่งซ่อมแซม
- ▶ **ก่อนปรับแต่งเครื่อง เปลี่ยนอุปกรณ์ประกอบ หรือเก็บเครื่องเข้าที่ ต้องถอดปลั๊กไฟออกจากเต้าเสียบและ/หรือนำแบตเตอรี่ที่แยกได้ออกจากเครื่องมือไฟฟ้า** มาตรการป้องกันเพื่อความปลอดภัยกับชีวิตของคุณ ความเสี่ยงจากการติดเครื่อง โดยไม่ได้ตั้งใจ
- ▶ **เมื่อเลิกใช้งานเครื่องมือไฟฟ้า ให้เก็บเครื่องไว้ในที่ที่เด็กหยิบไม่ถึง และไม่อนุญาตให้บุคคลที่ไม่คุ้นเคยกับเครื่องหรือบุคคลที่ไม่ได้อ่านคำแนะนำนี้ใช้เครื่องมือไฟฟ้า** เป็นของอันตรายหากตกอยู่ในมือของผู้ใช้ที่ไม่ได้รับการฝึกฝน
- ▶ **ดูแลรักษาเครื่องมือไฟฟ้าและอุปกรณ์ประกอบ** ตรวจสอบชิ้นส่วนที่เคลื่อนไหวได้ว่าบิดเบี้ยวหรือติดขัดหรือไม่ ตรวจสอบการแตกหักของชิ้นส่วนและสภาพอื่นใดที่อาจส่งผลกระทบต่อการทำงานของเครื่องมือไฟฟ้า หากชำรุดต้องส่งเครื่องมือไฟฟ้าไปซ่อมแซมก่อนใช้งาน อุบัติเหตุหลายอย่างเกิดขึ้นเนื่องจากดูแลรักษาเครื่องมือไม่ดีพอ
- ▶ **รักษาเครื่องมือตัดให้คมและสะอาด** หากบำรุงรักษาเครื่องมือที่มีขอบตัดแหลมคมอย่างถูกต้อง จะสามารถตัดได้ลื่นไม่ติดขัดและควบคุมได้ง่ายกว่า
- ▶ **ใช้เครื่องมือไฟฟ้า อุปกรณ์ประกอบ เครื่องมือ และอุปกรณ์อื่นๆ ให้ตรงตามคำแนะนำนี้** และในลักษณะตามที่เครื่องมือไฟฟ้าประเภทนั้นๆ กำหนดไว้ โดยต้องคำนึงถึงเงื่อนไขการทำงานและงานที่จะทำด้วย การใช้เครื่องมือไฟฟ้าทำงานที่ต่างไปจากวัตถุประสงค์การใช้งานของเครื่อง อาจนำไปสู่สถานการณ์ที่เป็นอันตรายได้
- ▶ **ดูแลด้ามจับและพื้นผิวจับให้แห้ง สะอาด และปราศจากคราบน้ำมันและจาระบี** ด้ามจับและพื้นผิวจับที่ลื่นทำให้หยิบจับได้ไม่ปลอดภัย และไม่สามารถควบคุมเครื่องมือในสถานการณ์ที่ไม่คาดคิด

### การบริการ

- ▶ **ส่งเครื่องมือไฟฟ้าให้ช่างผู้เชี่ยวชาญตรวจสอบและใช้อะไหล่เปลี่ยนของแท้เท่านั้น** ในลักษณะนี้ท่านจะแน่ใจได้ว่าเครื่องมือไฟฟ้าอยู่ในสภาพที่ปลอดภัย

### คำแนะนำเพื่อความปลอดภัยสำหรับแท่นตัดไฟเบอร์

- ▶ **ตัวท่านเองและบุคคลที่อยู่ใกล้เคียงต้องอยู่ห่างจากระนาบของงานที่หมุน** กระบี่ป้องกันช่วยปกป้องผู้ใช้จากเศษงานที่แตกหักและการสัมผัสกับงานโดยไม่ตั้งใจ
- ▶ **ใช้เฉพาะงานตัดออกแบบประกอบเสริมแรงสำหรับเครื่องมือไฟฟ้าของท่านเท่านั้น** แม้ว่าอุปกรณ์ประกอบจะ

สามารถยึดติดกับเครื่องมือไฟฟ้าของท่านได้ แต่ก็ไม่ได้รับประกันว่าจะใช้งานได้อย่างปลอดภัย

- ▶ **ความเร็วรอบกำหนดของอุปกรณ์ประกอบอย่างน้อยที่สุดต้องเท่ากับความเร็วรอบสูงสุดที่ระบุไว้บนเครื่องมือไฟฟ้า** อุปกรณ์ประกอบที่หมุนเร็วกว่าความเร็วรอบกำหนดของตัวเองอาจแตกและกระเด็นออกเป็นชิ้นๆ
- ▶ **ต้องใช้จานสำหรับการใช้งานที่แนะนำเท่านั้น ตัวอย่างเช่น: อย่าเจียรวัสดุด้วยด้านข้างของจานตัดออก** จานตัดออกผลิตไว้เพื่อให้ใช้ตรงขอบนอกของจานเจียรวัสดุแรงดันข้างที่ตกลงบนแผ่นงานอาจทำให้จานแตกละเอียดได้
- ▶ **ใช้หน้าแปลนที่ไม่ชำรุดที่มีขนาดเส้นผ่านศูนย์กลางที่ถูกต้องสำหรับงานที่ท่านเลือกเสมอ** หน้าแปลนรองรับที่ถูกต้องจะหมุนจาน และด้วยเหตุนี้จึงลดการแตกหักของจาน
- ▶ **เส้นผ่านศูนย์กลางรอบนอกและความหนาของอุปกรณ์ประกอบของท่านต้องอยู่ในที่กีดความสามารถของเครื่องมือไฟฟ้าของท่าน** อุปกรณ์ประกอบที่ผิดขนาดจะไม่ได้รับการปกป้องและควบคุมอย่างเพียงพอ
- ▶ **ขนาดรูแกนของจานและหน้าแปลนต้องพอดีกับเพลลาของเครื่องมือไฟฟ้า** จานและหน้าแปลนที่มีขนาดรูแกนไม่พอดีกับตัวยึดของเครื่องมือไฟฟ้าจะวิ่งเอียงศูนย์ สั่นตัวแรงเกินไป และอาจทำให้สูญเสียการควบคุม
- ▶ **อย่าใช้จานที่ชำรุด ก่อนใช้งานทุกครั้ง ให้ตรวจสอบจานหรือขอบยื่นและรอยแตก หากเครื่องมือไฟฟ้าหรือจานแตกหล่น ให้ตรวจสอบความเสียหายหรือติดตั้งจานใหม่** ใช้อุปกรณ์ป้องกันส่วนบุคคลที่ถูกต้องหลังจากตรวจสอบและติดตั้งจานแล้วตัวท่านเองและบุคคลที่อยู่ใกล้เคียงต้องอยู่ห่างจากระนาบของงานที่หมุน และปล่อยเครื่องมือไฟฟ้าเดินตัวเปล่าด้วยความเร็วสูงสุดนานหนึ่งนาที ตามปกติจานที่ชำรุดจะแตกหักในช่วงเวลาทดสอบนี้
- ▶ **สวมอุปกรณ์ป้องกันเฉพาะตัว ให้ใช้กระบังป้องกันหน้า แวนตาป้องกันลมและฝุ่น หรือแว่นตาป้องกันอันตรายโดยขึ้นอยู่กับลักษณะการทำงาน สวมหน้ากากกันฝุ่น ประคบหูกันเสียงดัง ถุงมือ และผ้ากันเปื้อนสำหรับช่างที่สามารถป้องกันสะเก็ดชิ้นงานหรือชิ้นส่วนเล็กๆ ที่มีฤทธิ์กัดกร่อน ตามความเหมาะสม** แวนตาป้องกันตาต้องสามารถหยุดเศษแข็งที่ปลิวว่อนที่เกิดจากการทำงานแบบต่างๆ ได้หน้ากากกันฝุ่นหรืออุปกรณ์ป้องกันระบบหายใจต้องสามารถกรองอนุภาคที่เกิดจากการทำงานของท่านได้ การได้ยินเสียงดังมากเป็นเวลานานอาจทำให้ท่านสูญเสียการได้ยิน
- ▶ **กับบุคคลที่อยู่ใกล้เคียงออกห่างจากบริเวณทำงานในระบที่ปลอดภัยบุคคลใดที่เข้ามายังบริเวณทำงานต้องสวมอุปกรณ์ป้องกันเฉพาะตัว** สะเก็ดชิ้นงานหรืองานที่แตกหักอาจปลิวกระเด็นออกมาและทำให้ได้รับบาดเจ็บในระยะใกล้เคียงกับพื้นที่ปฏิบัติงานได้
- ▶ **จับสายไฟที่ออกจากอุปกรณ์ประกอบที่กำลังหมุน** หากท่านสูญเสียการควบคุม สายไฟฟ้าอาจถูกตัดหรือพันกัน และมือหรือแขนของท่านอาจถูกดูดเข้าไปในจานที่กำลังหมุน
- ▶ **ทำความสะอาดช่องระบายอากาศของเครื่องมือไฟฟ้าอย่างสม่ำเสมอ** พัดลมของมอเตอร์สามารถดูดฝุ่นเข้าไป

ภายในครอบเครื่อง และการสะสมที่มากเกินไปของโลหะผงอาจก่อให้เกิดอันตรายจากกระแสไฟฟ้า

- ▶ **อย่าใช้เครื่องมือไฟฟ้าทำงานใกล้วัสดุติดไฟได้** อย่าใช้เครื่องมือไฟฟ้าทำงานในขณะที่วางอยู่บนพื้นผิวที่ติดไฟได้ เช่น ไม้ ประกายไฟสามารถจุดวัสดุเหล่านี้ให้ลุกเป็นไฟ
- ▶ **อย่าใช้อุปกรณ์ประกอบที่ต้องใช้สารหล่อเย็นที่เป็นของเหลว** การใช้ น้ำหรือสารหล่อเย็นอื่นๆ ที่เป็นของเหลวอาจทำให้กระแสไฟฟ้าวิ่งผ่านเข้าตัวจนเสียชีวิตหรือถูกไฟฟ้าดูดได้

#### การตีกลับและคำเตือนเกี่ยวเนื่อง

- ▶ การตีกลับคือแรงสะท้อนที่ทันทีที่เกิดจากงานเกิดบิตหรือถูกเหนี่ยวรั้งขณะที่กำลังหมุน การบิตหรือการเหนี่ยวรั้งทำให้งานที่กำลังหมุนหยุดกะทันหัน ด้วยเหตุนี้เครื่องตัดที่ขาดการควบคุมจึงถูกผลักขึ้นไปยังผู้ใช้ซึ่งงานตัวอย่าง เช่น หากงานขัดถูกเหนี่ยวรั้งหรือบิตโดยชิ้นงานขอบของงานขัดที่จมอยู่ในจุดบิตอาจขุดเข้าไปในพื้นผิวของชิ้นงาน ทำให้งานขัดบินออกหรือผลึกตัวออกมาในสถานการณ์เช่นนี้งานขัดอาจแตกหักได้ด้วยการตีกลับเป็นผลจากการใช้เครื่องมือไฟฟ้าในทางที่ผิด และ/หรือมีกระบวนการหรือเงื่อนไขการทำงานที่ไม่ถูกต้อง และสามารถหลีกเลี่ยงได้ด้วยการป้องกันไว้ก่อนอย่างถูกต้องดังระบุไว้ด้านล่างนี้
- ▶ **จับเครื่องมือไฟฟ้าให้แน่น และตั้งตัวและแขนในตำแหน่งต้านรับแรงตีกลับ** ผู้ใช้งานสามารถควบคุมแรงตีกลับขึ้นหากได้เตรียมตัวป้องกันไว้ก่อนอย่างถูกต้อง
- ▶ **อย่าให้ร่างกายของท่านอยู่ในแนวเดียวกับกับงานที่หมุน** หากเกิดการตีกลับ การตีกลับจะผลักเครื่องตัดขึ้นไปยังผู้ใช้ซึ่งงาน
- ▶ **อย่าติดตั้งไขสี่เหลี่ยมมึนดีดที่สั้นกว่า 10 มม. หรือไขสี่เหลี่ยมแบนมีพื้น** ไขสี่เหลี่ยมสั้นทำให้เกิดการตีกลับและสูญเสียการควบคุมบ่อยครั้ง
- ▶ **อย่า "บีบอัด" งานหรือออกแรงกดมากเกินไป** จะเพิ่มภาระแก่งานและทำให้งานบิตหรือตัดขัดในร่องตัดได้ง่ายขึ้น และเพิ่มความเสี่ยงการตีกลับหรือทำให้งานแตกหักได้
- ▶ **เมื่องานติดขัด หรือเมื่อการตัดถูกขัดจังหวะด้วยเหตุผลใดๆ ให้บิตสวิตช์เครื่องมือไฟฟ้า และถือเครื่องตัดไว้อย่างได้เคลื่อนไหวจนกว่างานจะหยุดนิ่งอยู่กับที่** อย่าพยายามนำงานออกจากร่องตัดในขณะที่งานกำลังเคลื่อนที่ มิฉะนั้นอาจเกิดการตีกลับ ตรวจสอบและแก้ไขเพื่อขจัดสาเหตุที่ทำให้งานติดขัด
- ▶ **อย่าเปิดเครื่องมือไฟฟ้าทำงานอีกครั้งขณะที่งานยังคาอยู่ในชิ้นงาน** ปล่อยให้งานหมุนถึงความเร็วรอบเต็มที่ แล้วจึงตัดต่อไปอย่างระมัดระวัง งานอาจติดขัด กระโดดขึ้น หรือตีกลับ หากเปิดเครื่องมือไฟฟ้าทำงานอีกครั้งในชิ้นงาน
- ▶ **หมุนชิ้นงานที่มีขนาดใหญ่เกินไปเพื่อลดความเสี่ยงที่งานจะติดขัดและเกิดการตีกลับ** ชิ้นงานขนาดใหญ่มีกจะห้อยย่นตามความถ่วงน้ำหนักของตัวชิ้นงานเอง ต้องสอดแผ่นหมุนได้ชิ้นงานทั้งสองด้าน ทั้งใกล้เส้นตัดและใกล้ขอบของชิ้นงาน

#### คำสั่งเพิ่มเติมเพื่อความปลอดภัย

- ▶ **เมื่อไม่ใช้เครื่อง ต้องเก็บรักษาให้ปลอดภัย** สถานที่เก็บรักษาต้องแห้งและปิดล็อกได้ ในลักษณะนี้จะป้องกันไม่ให้เครื่องได้รับความเสียหายจากการเก็บรักษา และการถูกนำไปใช้งานโดยผู้ที่ไม่ได้รับการฝึกฝน
- ▶ **หนีบชิ้นงานให้แน่นเสมอ** อย่าตัดชิ้นงานที่มีขนาดเล็กมากจนหนีบหนีบไม่ได้ มิฉะนั้นช่องว่างระหว่างมือของท่านและงานตัดที่กำลังหมุนอยู่จะแคบเกินไป
- ▶ **อย่าใช้เครื่องมือที่สายไฟฟ้าชำรุด** หากสายไฟฟ้าชำรุดขณะทำงาน อย่าสัมผัสสายไฟฟ้าที่ชำรุด ให้ดึงปลั๊กไฟฟ้าหลักออกจากเต้าเสียบ สายไฟฟ้าชำรุดเพิ่มความเสียหายจากการถูกไฟฟ้าช็อกหรือดูด
- ▶ **ตรวจสอบสายไฟฟ้าเป็นประจำ และส่งสายไฟฟ้าที่ชำรุด ไปซ่อมแซมที่ศูนย์บริการลูกค้าที่ได้รับมอบหมายสำหรับเครื่องมือไฟฟ้า บอช เท่านั้น** เปลี่ยนสายไฟต่อที่ชำรุด ในลักษณะที่ท่านจะแน่ใจได้ว่าเครื่องมือไฟฟ้าอยู่ในสภาพที่ปลอดภัย
- ▶ **ต้องใช้กระบังป้องกันใบเลื่อยเสมอ** กระบังป้องกันใบเลื่อยช่วยป้องกันผู้ใช้งานเครื่องจากชิ้นส่วนของงานตัดที่แตกหัก และจากการสัมผัสงานตัดโดยไม่ตั้งใจ
- ▶ **อย่าปล่อยมือจากเครื่องจนกว่าเครื่องจะหยุดนิ่งอยู่กับที่** เครื่องมือตัดที่ยังวิ่งอยู่อาจทำให้บาดเจ็บได้

#### สัญลักษณ์

สัญลักษณ์ต่อไปนี้มีความสำคัญต่อการใช้เครื่องมือไฟฟ้าของท่าน กรุณาจดจำสัญลักษณ์และความหมาย การแปลความสัญลักษณ์ได้ถูกต้องจะช่วยให้ท่านใช้เครื่องมือไฟฟ้าได้ดีและปลอดภัยกว่า

สัญลักษณ์	ความหมาย
	▶ <b>เอามือออกจากบริเวณตัดขณะเครื่องกำลังวิ่งอยู่</b> อันตรายจากการบาดเจ็บหากสัมผัสกับงานตัด
	▶ <b>สวมอุปกรณ์ป้องกันเสียงดัง</b> การรับฟังเสียงดังอาจทำให้ท่านสูญเสียการได้ยิน
	▶ <b>สวมแว่นตาป้องกันอันตราย</b>
	▶ <b>สวมหน้ากากป้องกันฝุ่น</b>
	▶ <b>สวมถุงมือป้องกันอันตราย</b> ▶ งานตัดมีขอบแหลมคมและจะร้อนมากขณะทำงาน

## 36 | ภาษาไทย

## รายละเอียดผลิตภัณฑ์และ ข้อมูลจำเพาะ



**ต้องอ่านค่าเตือนเพื่อความปลอดภัยและคำสั่งทั้งหมด** การไม่ปฏิบัติตามค่าเตือนและคำสั่งอาจเป็นสาเหตุให้ถูกไฟฟ้าดูด เกิดไฟไหม้ และ/หรือได้รับบาดเจ็บอย่างร้ายแรง

### ประโยชน์การใช้งานของเครื่อง

เครื่องนี้ใช้สำหรับตัดวัสดุที่เป็นโลหะด้วยจานตัด สามารถตัดเป็นแนวเส้นตรงทั้งตามยาวและตามขวาง และตัดเป็นมุมปากได้ถึง 45° โดยไม่ใช้น้ำ เครื่องนี้ตั้งอยู่ประจำที่ ห้ามใช้จานตัดเพชร

### ส่วนประกอบผลิตภัณฑ์

ลำดับเลขของส่วนประกอบผลิตภัณฑ์อ้างอิงถึงส่วนประกอบของเครื่องที่แสดงในหน้าภาพประกอบ

- 1 ปุ่มล็อกไม่ให้สวิตช์เปิด-ปิดทำงาน
- 2 สวิตช์เปิด-ปิด
- 3 ด้ามจับ
- 4 กระจับป้องกันใบเลื่อยชนิดซึกรันได้
- 5 ล็อคแกน
- 6 จานตัด
- 7 ฉากหยุดมุม
- 8 เพลาลื่นอัตโนมัติ
- 9 ก้านปลดเร็ว
- 10 คันจับเพลลา
- 11 รูปประกอบ
- 12 ประแจขันทกเหลี่ยม (8 มม.)
- 13 แผ่นฐาน
- 14 ก้ามหนีบ
- 15 แผ่นรองรับชิ้นงานสำหรับชิ้นงานที่มีพื้นที่หน้าตัดสูงสุด 40 x 40 มม.
- 16 สกรูล็อคสำหรับฉากหยุดมุม
- 17 ล็อคนิรภัยสำหรับขนย้าย
- 18 แขนเครื่องมือ
- 19 คันจับขนย้าย
- 20 กระจับป้องกัน
- 21 กระจับป้องกันประกายไฟ
- 22 แกนเครื่องมือ
- 23 น็อตยึด
- 24 ประเก็นวงแหวน
- 25 สกรูทกเหลี่ยม

อุปกรณ์ประกอบที่แสดงหรือระบุไม่รวมอยู่ในการจัดส่งมาตรฐาน กรุณาดูอุปกรณ์ประกอบทั้งหมดในรายการแสดงอุปกรณ์ประกอบของเรา

### ข้อมูลทางเทคนิค

แท่นตัด ไฟเบอร์	GCO 14-24 J	
หมายเลขสินค้า	3 601 M37 2..	
กำลังไฟฟ้าเข้ากำหนด	วัตต์	2400
ความเร็วรอบเดินตัวเปล่า	รอบ/นาที	3800
การสาร์ทแบบนุ่มนวล		●
น้ำหนักตามระเบียบการ-EPTA-Procedure 01:2014	กก.	18.0
ระดับความปลอดภัย		□/
มิติชิ้นงานที่อนุญาต (สูงสุด/ต่ำสุด) คู่มือ 38		
ค่าที่ใหม่ใช้ได้กับแรงดันไฟฟ้าระบุ [U] 230 โวลต์ ค่าเหล่านี้อาจผิดแผกไปสำหรับแรงดันไฟฟ้าที่ต่ำกว่า และไม่เคลือบสำหรับเฉพาะประเทศ		
ขนาดจานตัดที่เหมาะสม		
เส้นผ่าศูนย์กลางจานตัด สูงสุด	มม.	355
ความกว้างจานตัด สูงสุด	มม.	3
รูประกอบจานตัด	มม.	25.4

### การประกอบ

#### รายการสิ่งของที่จัดส่ง

นำชิ้นส่วนทั้งหมดที่รวมอยู่ในการจัดส่งออกจากหีบห่ออย่างระมัดระวัง

นำวัสดุบรรจุภัณฑ์ทั้งหมดออกจากเครื่องและอุปกรณ์ประกอบที่จัดส่งมา

ก่อนใช้เครื่องทำงานเป็นครั้งแรก ให้ตรวจสอบว่าชิ้นส่วนทั้งหมดที่ระบุด้านล่างนี้ได้จัดส่งมาด้วยหรือไม่:

- แท่นตัดไฟเบอร์พร้อมจานตัดประกอบมาแล้ว
- ประแจขันทกเหลี่ยม 12

#### การประกอบแบบประจำที่หรือแบบคล่องตัว

► **เพื่อควบคุมเครื่องให้ได้อย่างปลอดภัย ก่อนใช้งาน ต้องประกอบเครื่องบนพื้นผิวที่มีมั่นคงและราบเสมอกัน (ต.ย. เช่น ใต้ทำงานของช่าง)**

#### การประกอบบนพื้นผิวทำงาน (ดูภาพประกอบ A)

- ยึดเครื่องมือไฟฟ้าเข้ากับพื้นผิวทำงานด้วยสกรูยึดที่เหมาะสม สำหรับการยึดให้ใช้รู 11

#### การประกอบแบบคล่องตัว (ไม่แนะนำ!)

ในกรณียกเว้นที่ไม่สามารถประกอบเครื่องมือไฟฟ้าไว้บนพื้นที่ทำงานได้อย่างแน่นอน ท่านสามารถวางขาของแผ่นฐาน 13 ไว้บนพื้นรองรับที่เหมาะสมเป็นการชั่วคราว (ต.ย. เช่น ใต้ทำงานของช่าง พื้นราบเรียบและอื่นๆ) โดยไม่ขันสกรูเครื่องมือไฟฟ้าลงให้แน่น

#### การเปลี่ยนเครื่องมือ (ดูภาพประกอบ B1-B2)

- **กดล็อคแกน 5 เมื่อแกนเครื่องมือ 22 หยุดนิ่งเท่านั้น** มิฉะนั้นอาจส่งผลเสียหายต่อเครื่องได้
- **หลังเลิกงาน อย่าสัมผัสจานตัดจนกว่าจะเย็นลง** จานตัดจะร้อนขึ้นมากขณะทำงาน

ใช้เฉพาะจานตัดที่มีคุณสมบัติตรงตามที่กำหนดไว้ในคู่มือการใช้งานเล่มนี้ และผ่านการทดสอบตามมาตรฐานยุโรป

EN 12413 และให้แสดงคุณสมบัติและมาตรฐานนี้ไว้  
อย่างถูกต้อง

ใช้แผ่นรองเสริมที่อาจจัดส่งมาพร้อมกับจานตัด

วางจานตัดที่ไม่ใช้งานไว้ในภาชนะบรรจุที่ปิดฝา หรือในหีบห่อ  
ที่มีมาแต่เดิม เก็บรักษาจานตัดโดยวางราบ

#### การถอดจานตัด

- วางเครื่องในตำแหน่งทำงาน (ดู "การปลดเครื่อง  
(ตำแหน่งทำงาน)" หน้า 37)
- หันกระบังป้องกันใบเลื่อยชนิดชักมันได้ 4 ไปด้านหลังจนสุด
- หมุนสกรูหกเหลี่ยม 25 ด้วยประแจขันหกเหลี่ยม 12 ที่จัดส่ง  
มา และในขณะที่เดียวกันให้ถอดลอคแกน 5 จนขบเข้าที่
- ถอดลอคแกนค้ำไว้และขันสกรูหกเหลี่ยม 25 ออก
- ถอดประเก็นวงแหวน 24 และน็อตยึด 23 ออก
- ถอดจานตัด 6 ออก

#### การประกอบจานตัด

- ประกอบจานตัดแผ่นใหม่เข้าบนแกนเครื่องมือ 22 ใน  
ลักษณะหันด้านที่มีฉลากออกจากแกนเครื่องมือ
- สวมน็อตยึด 23 ประเก็นวงแหวน 24 และสกรูหกเหลี่ยม 25  
เข้าไป
- ถอดลอคแกน 5 จนลอคแกนขบที่เข้า และขันสกรูหกเหลี่ยม  
25 โน้ตตามเข็มนาฬิกากลับเข้าให้แน่นอีกครั้ง  
(แรงบิดการขันประมาณ 18–20 Nm)
- นำกระบังป้องกันใบเลื่อยชนิดชักมันได้ 4 ลงด้านล่างอย่าง  
ช้าๆ จนครอบจานตัด
- ทำให้แน่ใจว่ากระบังป้องกันใบเลื่อยชนิดชักมันได้  
4 ทำงานอย่างถูกต้อง

เมื่อประกอบจานตัดแล้ว และก่อนเปิดสวิทช์ให้ตรวจสอบว่าได้  
ประกอบจานตัดไว้อย่างถูกต้องแล้วหรือไม่ และจานตัด  
สามารถหมุนได้อย่างอิสระหรือไม่

- ทำให้แน่ใจว่าจานตัดจะไม่ครูดกับกระบังป้องกันใบเลื่อย  
ชนิดชักมันได้ 4 กระบังป้องกันใบเลื่อย 20 หรือส่วนอื่นๆ
  - ริงเครื่องยนต์ประมาณ 30 วินาที
- หากมีการลั่นอย่างเด่นชัด ให้ปิดสวิทช์เครื่องในทันที ถอด  
จานตัด และติดตั้งเข้าไปใหม่อีกครั้ง

## การปฏิบัติงาน

### ลอคนิรภัยสำหรับขนย้าย (รูปภาพประกอบ C)

ลอคนิรภัยสำหรับขนย้าย 17 ทำให้สามารถจับถือเครื่องมือ  
ไฟฟ้าได้สะดวกเหมือนขนย้ายไปยังสถานที่ทำงานต่างๆ

#### การปลดเครื่อง (ตำแหน่งทำงาน)

- ดันแขนเครื่องมือตรงด้ามจับ 3 ลงด้านล่างเล็กน้อยเพื่อ  
ปลดน้ำหนักบนลอคนิรภัยสำหรับขนย้าย 17
- ดึงลอคนิรภัยสำหรับขนย้าย 17 ออกมาด้านนอกทั้งหมด
- จับแขนเครื่องมือดันขึ้นด้านบนอย่างช้าๆ

**หมายเหตุ:** ขณะทำงาน เอาใจใส่อย่าให้ลอคนิรภัย  
สำหรับขนย้ายถูกดันเข้าด้านใน มิฉะนั้นจะไม่สามารถปลด  
แขนเครื่องมือลงต่ำถึงความลึกการตัดที่ต้องการได้

#### การรัดเครื่อง (ตำแหน่งขนย้าย)

- กดแขนเครื่องมือลงต่ำจนสามารถดันลอคนิรภัยสำหรับ  
ขนย้าย 17 เข้าไปด้านในได้ทั้งหมด

สำหรับข้อมูลเพิ่มเติมเกี่ยวกับการขนย้าย กรุณาดูหน้า 38

### การปรับมุมตัด (รูปภาพประกอบ D)

ท่านสามารถตั้งมุมมากได้ในพิสัยระหว่าง 0 องศา ถึง 45  
องศา มุมมากที่ใช้บ่อยจะแสดงด้วยเครื่องหมายของมุมนั้นๆ  
บนฉากหยุดมุม 7 ตำแหน่งมุม 0 องศา และ 45 องศา จะ  
ตั้งไว้ที่จุดหยุดตรงปลายแต่ละด้าน

- คลายสกรูล็อค 16 สำหรับฉากหยุดมุมออกด้วยประแจขัน  
หกเหลี่ยม 12 (8 มม.) ที่จัดส่งมา
- ปรับมุมที่ต้องการ และขันสกรูล็อค 16 ทั้งสองเข้าให้แน่น  
อีกครั้ง

### การย้ายที่ฉากหยุดมุม (รูปภาพประกอบ D และ E)

เมื่อต้องการตัดชิ้นงานที่มีขนาดกว้างกว่า 140 มม. ท่าน  
สามารถย้ายที่ฉากหยุดมุม 7 ไปทางด้านหลังได้

- หมุนสกรูล็อค 16 สำหรับฉากหยุดมุมออกจนสุดด้วยประแจ  
ขันหกเหลี่ยม 12 (8 มม.) ที่จัดส่งมา
- เลื่อนฉากหยุดมุม 7 ไปทางด้านหลัง 1 หรือ 2 รู ตาม  
ระยะห่างที่ต้องการ
- ปรับมุมที่ต้องการ และขันสกรูล็อค 16 ทั้งสองเข้าให้แน่น  
อีกครั้ง

### การหนีบชิ้นงาน

เพื่อความปลอดภัยสูงสุดขณะทำงาน ต้องหนีบชิ้นงานให้  
แน่นหนาเสมออย่าตัดชิ้นงานที่มีขนาดเล็กมากจนยึดหนีบ  
ไม่ได้

#### การหนีบชิ้นงาน (รูปภาพประกอบ E)

- วางชิ้นงานทาบกับฉากหยุดมุม 7
- ดันเพลลาเลื่อนอัด 8 ทาบกับชิ้นงานและหนีบชิ้นงานให้แน่น  
ด้วยคันจับเพลลา 10

#### การยึดชิ้นงาน (พื้นที่หน้าตัดสูงสุด 40 x 40 มม.)

##### บนแผ่นรองรับชิ้นงาน (รูปภาพประกอบ F–H)

- ที่ฉากหยุดมุม 7 ให้ตั้งมุมมากมาตรฐาน 0°
- ยกแผ่นรองรับชิ้นงาน 15 ขึ้นเล็กน้อยและสอดแผ่นรองรับ  
ผ่านช่องในฉากหยุดมุม
- เกี่ยวตะขอของแผ่นรองรับชิ้นงานเข้าในช่องเปิดของ  
ก้ามหนีบ 14
- วางชิ้นงานบนแผ่นรองรับชิ้นงาน 15
- ดันเพลลาเลื่อนอัด 8 ทาบกับชิ้นงานและหนีบชิ้นงานให้แน่น  
ด้วยคันจับเพลลา 10

▶ ตรวจสอบให้แน่ใจว่าแผ่นรองรับชิ้นงานได้ถูกเชื่อมต่อกับ  
ก้ามหนีบไว้อย่างแน่นหนาแล้ว และจะไม่พลิกคว้างเมื่อ  
วางชิ้นงาน

▶ ตรวจสอบให้แน่ใจว่าชิ้นงานบนแผ่นรองรับชิ้นงานสูงไม่  
เกิน 40 มม. ชิ้นงานที่สูงกว่านี้จะไม่สามารถยึดหนีบได้  
อย่างมั่นคง

▶ ตรวจสอบให้แน่ใจว่าหลังใช้งานได้คืนแผ่นรองรับชิ้นงาน  
ทั้งหมดกลับเข้าไปในฉากหยุดมุม ตะขอที่ยื่นออกมา  
จะทำให้ไม่สามารถยึดหนีบชิ้นงานได้อย่างมั่นคง

#### การปลดชิ้นงาน

- คลายคันจับเพลลา 10 ออก
- กระดกก้านปลดเร็ว 9 ขึ้นและดึงเพลลาเลื่อนอัด 8  
ออกจากชิ้นงาน

## 38 | ภาษาไทย

### เริ่มต้นปฏิบัติงาน

ฝุ่นที่ได้จากวัสดุ เช่น เคลือบผิวที่มีสารตะกั่ว แร่ธาตุ และโลหะ อาจเป็นอันตรายต่อสุขภาพ การสัมผัสหรือการหายใจเอาฝุ่นเข้าไปอาจกระตุ้นผู้ใช้งานเครื่องหรือผู้ที่ยืนอยู่ใกล้เคียงให้เกิดปฏิกิริยาแพ้ฝุ่น

และ/หรือนำมาซึ่งโรคติดเชื้อระบบหายใจฝุ่นจากโลหะบางประเภทนับเป็นสารที่ทำให้เกิดมะเร็ง โดยเฉพาะอย่างยิ่งเมื่อรวมกับโลหะผสม เช่น สังกะสี อะลูมิเนียม หรือโครเมียม สำหรับวัสดุที่มีแอสเบสทอสตองให้ผู้เชี่ยวชาญทำงานเท่านั้น

- จัดสถานที่ทำงานให้มีการระบายอากาศที่ดี
- ขอแนะนำให้สวมหน้ากากป้องกันการติดเชื้อที่มีระดับ-ไส้กรอง P2

ปฏิบัติตามกฎข้อบังคับสำคัญอื่นๆ ที่เกี่ยวกับวัสดุชิ้นงานที่มีขั้วสัมผัสในประเทศของท่าน

โปรดดูอายุขี้นี้เนื่องจากมีฝุ่น ชี้อ่อน หรือสะเก็ดชิ้นงานในร่องของแผ่นฐาน **13**

- ปิดสวิตช์เครื่อง และดึงปลั๊กไฟออกจากเต้าเสียบ
  - รอจนกว่าจานตัดจะหยุดนิ่งอยู่กับที่
  - เอียงเครื่องไปทางด้านหลัง เพื่อให้สะเก็ดชิ้นงานเล็กๆ สามารถตกออกจากช่องเปิดที่มีไว้สำหรับจุดประสงค์นี้
- ใช้เครื่องมือที่เหมาะสมนำสะเก็ดชิ้นงานออกไป หากจำเป็น

### การเปิดและปิดสวิตช์ (ดูภาพประกอบ I)

- **เปิดเครื่องทำงาน** โดยกดปุ่มล็อค 1 ก่อน จากนั้นจึงกดสวิตช์เปิด-ปิด 2 และกดค้ำไว้

**หมายเหตุ:** ด้วยเหตุผลด้านความปลอดภัย จึงไม่สามารถล็อคสวิตช์เปิด-ปิด 2 ได้ จะต้องกดสวิตช์เปิด-ปิดตลอดเวลาปฏิบัติงาน

- **ปิดเครื่อง** โดยปล่อยนิ้วจากสวิตช์เปิด-ปิด 2

### การสตาร์ทแบบนุ่มนวล

ตัวสตาร์ทแบบนุ่มนวลด้วยระบบอิเล็กทรอนิกส์จะจำกัดแรงบิดเมื่อเปิดสวิตช์เครื่อง และเพิ่มอายุการใช้งานของมอเตอร์


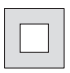
### ข้อแนะนำในการทำงาน


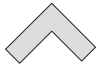
#### ข้อแนะนำทั่วไปสำหรับการตัด

- ▶ **หลังเลิกงาน** อย่าสัมผัสจานตัดจนกว่าจะเย็นลง จานตัดจะร้อนขึ้นมากขณะทำงาน
- ▶ **ทำให้แน่ใจว่าได้ประกอบกระบังป้องกันประกายไฟ 21 ให้อย่างถูกต้องแล้ว** เมื่อตัดโลหะจะเกิดประกายไฟ

### มิติชิ้นงานที่อนุญาต

ขนาดชิ้นงานสูงสุด:

รูปทรงชิ้นงาน	มุมฉาก	
	0°	45°
	129 Ø	128 Ø
	119 x 119	110 x 110

รูปทรงชิ้นงาน	มุมฉาก	
	0°	45°
	100 x 196	107 x 115
	130 x 130	115 x 115

### ขนาดชิ้นงานสูงสุด

(= ชิ้นงานทั้งหมดที่สามารถหนีบด้วยเพลาลูกเลื่อนอัตโนมัติ 8): ความยาว 80 มม.

**ความสามารถในการเลื่อย สูงสุด (0°/0°):** 129 มม.

### การตัดโลหะ

- ต้องดูมุมฉากที่ต้องการ หากจำเป็น
- หนีบชิ้นงานให้แน่นพอเหมาะพอควรกับขนาดของชิ้นงาน
- เปิดเครื่องทำงาน
- นำแขนเครื่องมือลงด้านข้างอย่างช้าๆ โดยจับตรงตามจับ **3**
- ตัดชิ้นงานโดยป้อนเครื่องอย่างสม่ำเสมอ
- ปิดสวิตช์เครื่อง และรอจนจานตัดหยุดนิ่งอยู่กับที่
- จับแขนเครื่องมือต้นชิ้นด้านบนอย่างช้าๆ

### การขนส่ง

- ถือเครื่องมือไฟฟ้าโดยหิ้วที่คั่นจับขนย้าย **19** เสมอ

▶ **เมื่อขนย้ายเครื่องมือไฟฟ้า** ให้ยกจับที่อุปกรณ์สำหรับขนย้ายเท่านั้น และอย่ายกจับที่อุปกรณ์ป้องกันอันตรายอย่างเด็ดขาด

## การบำรุงรักษาและการบริการ

### การบำรุงรักษาและการทำความสะอาด

- ▶ **ดึงปลั๊กไฟออกจากเต้าเสียบก่อนปรับแต่งเครื่อง**
- ▶ **หากใช้เครื่องทำงานหนัก ให้ใช้อุปกรณ์ดูดฝุ่นออกเท่าที่จะทำได้เสมอ** เพื่อขจัดละอองอากาศสกปรก และติดตั้งอุปกรณ์ตัดวงจรเมื่อเกิดการรั่วไหลของไฟฟาลงดิน แบบพกพา (PRCD) เมื่อทำงานกับโลหะ ฝุ่นซึ่งมีคุณสมบัตินำความร้อนและกระแสไฟฟ้าอาจสะสมอยู่ข้างในเครื่องมือไฟฟ้า ฉนวนป้องกันทั้งหมดของเครื่องมือไฟฟ้าอาจได้รับผลเสีย

เมื่อจำเป็นต้องเปลี่ยนสายไฟฟ้า ให้ส่งเครื่องให้บริษัท บ็อบหรือศูนย์บริการลูกค้าสำหรับเครื่องมือไฟฟ้า บ็อบ ที่ได้รับมอบหมายทำการเปลี่ยนให้ เพื่อหลีกเลี่ยงอันตรายด้านความปลอดภัย

กระบังป้องกันใบเลื่อยชนิดชักกรันได้ต้องเคลื่อนไหวยังตำแหน่งอิสระและร่นปิดได้โดยอัตโนมัติตลอดเวลา ดังนั้นต้องรักษาบริเวณรอบๆ กระบังป้องกันใบเลื่อยชนิดชักกรันได้ให้สะอาดอยู่เสมอ

**อุปกรณ์ประกอบ**

หมายเลขสินค้า

**งานตัดสำหรับวัสดุที่เป็นโลหะทุกชนิด**

งานตัด 355 x 25.4 มม. 2 608 600 208

งานตัด 355 x 25.4 มม. 2 608 600 223

**การบริการหลังการขายและคำแนะนำการใช้งาน**

ศูนย์บริการหลังการขายของเรายินดีตอบคำถามเกี่ยวกับการบำรุงรักษาและการซ่อมแซมผลิตภัณฑ์ของท่าน รวมทั้งชิ้นส่วนอะไหล่ ภาพแยกชิ้นประกอบและข้อมูลเกี่ยวกับชิ้นส่วนอะไหล่ยังสามารถดูได้ใน:

**www.bosch-pt.com**

ทีมงานให้คำแนะนำการใช้งานของ บ็อกซ์ ยินดีตอบคำถามเกี่ยวกับผลิตภัณฑ์ของเราและอุปกรณ์ประกอบของผลิตภัณฑ์เมื่อต้องการสอบถามและสั่งซื้ออะไหล่ กรุณาแจ้งหมายเลขสินค้า 10 หลักบนแผ่นป้ายรุ่นของผลิตภัณฑ์ทุกครั้ง

**ไทย**

บริษัท โรเบิร์ต บ็อกซ์ จำกัด  
ชั้น 11 ตึกลิเบอร์ตี สแควร์  
287 ถนนสีลม บางรัก  
กรุงเทพฯ 10500

โทรศัพท์ 02 6393111

โทรสาร 02 2384783

บริษัท โรเบิร์ต บ็อกซ์ จำกัด ตู้ ปณ. 2054

กรุงเทพฯ 10501 ประเทศไทย

www.bosch.co.th

ศูนย์บริการซ่อมและฝึกอบรม บ็อกซ์  
อาคาร ลาชาลทาวเวอร์ ชั้น G ห้องเลขที่ 2  
บ้านเลขที่ 10/11 หมู่ 16  
ถนนศรีนครินทร์  
ตำบลบางแก้ว อำเภอบางพลี  
จังหวัดสมุทรปราการ 10540  
ประเทศไทย  
โทรศัพท์ 02 7587555  
โทรสาร 02 7587525

**การกำจัดขยะ**

เครื่องมือ อุปกรณ์ประกอบ และหีบห่อ ต้องนำไปแยกประเภทวัสดุเพื่อนำกลับมาใช้ใหม่โดยไม่ทำลายสภาพแวดล้อม



อย่าทิ้งเครื่องมือไฟฟ้าลงในขยะบ้าน!

ขอสงวนสิทธิ์ในการเปลี่ยนแปลงโดยไม่ต้องแจ้งล่วงหน้า

**Bahasa Indonesia****Petunjuk-Petunjuk untuk Keselamatan Kerja****Keselamatan Kerja Power Tool Umum**

**⚠ PERHATIKANLAH** Baca seluruh petunjuk keselamatan kerja, ilustrasi dan spesifikasi yang diberikan bersama perkakas listrik ini. Kesalahan dalam menjalankan petunjuk-petunjuk untuk keselamatan kerja di bawah ini dapat mengakibatkan kontak listrik, kebakaran dan/atau luka berat.

**Simpan semua petunjuk keselamatan kerja sebagai informasi lebih lanjut.**

Istilah „power tool” dalam petunjuk keselamatan mengacu pada perkakas listrik utama (Anda yang dioperasikan dengan kabel atau dengan baterai (tanpa kabel)).

**⚠ PERHATIKANLAH** Selama menggunakan perkakas listrik, untuk menghindari terjadinya kontak listrik, luka-luka dan kebakaran, petunjuk-petunjuk untuk keselamatan kerja berikut mutlak harus ditaati. Bacalah semua petunjuk-petunjuk ini, sebelum Anda mulai menggunakan perkakas listrik, dan simpanlah petunjuk-petunjuk untuk keselamatan kerja dengan baik.

**Keselamatan kerja di tempat kerja**

- ▶ **Jagalah supaya tempat kerja selalu bersih dan terang.** Tempat kerja yang tidak rapi atau tidak terang dapat mengakibatkan terjadinya kecelakaan.
- ▶ **Janganlah menggunakan perkakas listrik di tempat di mana dapat terjadi ledakan, di mana ada cairan, gas atau debu yang mudah terbakar.** Perkakas listrik dapat memancarkan bunga api yang lalu mengakibatkan debu atau uap terbakar.
- ▶ **Selama menggunakan perkakas listrik, jauhkan anak-anak dan orang-orang lain dari tempat kerja.** Jika konsentrasi terganggu, bisa jadi Anda tidak bisa mengendalikan perkakas listrik tersebut.

**Keamanan listrik**

- ▶ **Steker dari perkakas listrik harus cocok pada stopkontak. Janganlah sekali-kali merubah steker. Janganlah menggunakan steker perantara bersama dengan perkakas listrik yang mempunyai hubungan arde.** Steker yang tidak dirubah dan stopkontak yang cocok mengurangi bahaya terjadinya kontak listrik.
- ▶ **Jagalah supaya badan Anda tidak bersentuhan dengan permukaan yang mempunyai hubungan arde, misalnya pipa-pipa, radiator pemanas ruangan, kompor listrik dan lemari es.** Ada risiko besar terjadi kontak listrik, jika badan Anda mempunyai hubungan arde.
- ▶ **Jagalah supaya perkakas listrik tidak kena hujan atau menjadi basah.** Air yang masuk ke dalam perkakas listrik menambah risiko terjadinya kontak listrik.

- ▶ **Janganlah menyalah gunakan kabel listrik untuk mengangkat dan menggantungkan perkakas listrik atau untuk menarik steker dari stopkontak. Jagalah supaya kabel listrik tidak kena panas, minyak, pinggiriran yang tajam atau bagian-bagian perkakas yang bergerak.** Kabel listrik yang rusak atau tersangkut menambah risiko terjadinya kontak listrik.
- ▶ **Jika Anda menggunakan perkakas listrik di luar gedung, gunakanlah hanya kabel sambungan yang juga cocok untuk pemakaian di luar gedung.** Penggunaan kabel sambungan yang cocok untuk pemakaian di luar gedung mengurangi risiko terjadinya kontak listrik.
- ▶ **Jika penggunaan perkakas listrik di tempat yang basah tidak bisa dihindarkan, gunakanlah sakelar pengaman terhadap arus penyimpangan.** Penggunaan sakelar pengaman terhadap arus penyimpangan mengurangi risiko terjadinya kontak listrik.

#### Keselamatan kerja

- ▶ **Berhati-hatilah selalu, perhatikanlah apa yang Anda lakukan dan bekerjalah dengan seksama jika menggunakan perkakas listrik. Janganlah menggunakan perkakas listrik, jika Anda capai atau berada di bawah pengaruh narkoba, minuman keras atau obat.** Jika Anda sekejap mata saja tidak berhati-hati sewaktu menggunakan perkakas listrik, dapat terjadi luka-luka berat.
- ▶ **Pakailah pakaian dan sarana pelindung dan pakailah selalu kaca mata pelindung.** Dengan memakai pakaian dan sarana pelindung, misalnya kedok anti debu (masker), sepatu tertutup yang tidak licin, helm pelindung atau pemalut telinga sesuai dengan pekerjaan yang dilakukan dengan perkakas listrik, bahaya terjadinya luka-luka dapat dikurangi.
- ▶ **Jagalah supaya perkakas listrik tidak dihidupkan secara tidak disengaja. Perhatikan bahwa perkakas listrik dalam penyetelan mati, jika steker disambungkan pada pengadaaan listrik dan/atau baterai, jika perkakas listrik diangkat atau dibawa.** Jika selama mengangkat perkakas listrik jari Anda berada pada tombol untuk menghidupkan dan mematikan atau perkakas listrik yang dalam penyetelan hidup disambungkan pada listrik, dapat terjadi kecelakaan.
- ▶ **Lepaskan semua perkakas-perkakas penyetelan atau kunci-kunci pas sebelum perkakas listrik dihidupkan.** Perkakas atau kunci yang berada di dalam bagian yang berputar dapat mengakibatkan terjadinya luka-luka.
- ▶ **Aturkan badan sedemikian sehingga Anda bisa bekerja dengan aman. Berdirilah secara mantap dan jagalah selalu keseimbangan.** Dengan demikian Anda bisa mengendalikan perkakas listrik dengan lebih baik, jika terjadi sesuatu dengan tiba-tiba.
- ▶ **Pakailah pakaian yang cocok. Janganlah memakai pakaian yang longgar atau perhiasan. Jagalah supaya rambut dan pakaian Anda tidak masuk dalam bagian-bagian perkakas yang bergerak.** Pakaian yang longgar, rambut panjang atau perhiasan dapat tersangkut dalam bagian perkakas yang bergerak.
- ▶ **Jika ada kemungkinan untuk memasang sarana penghisapan dan penampungan debu, perhatikan bahwa sarana-sarana ini telah dipasang dan digunakan dengan betul.** Penggunaan sarana penghisapan bisa mengurangi bahaya yang disebabkan debu.
- ▶ **Jangan biarkan kemudahan yang didapat karena kebiasaan penggunaan yang terlalu sering membuat anda puas sehingga mengabaikan prinsip-prinsip keamanan penggunaan alat.** Tindakan yang kurang hati-hati dapat mengakibatkan luka berat dalam waktu sepersekian detik.

#### Penggunaan dan penanganan perkakas listrik dengan seksama

- ▶ **Janganlah membebankan perkakas listrik terlalu berat. Gunakan selalu perkakas listrik yang cocok untuk pekerjaan yang dilakukan.** Dengan perkakas listrik yang cocok Anda bekerja lebih baik dan lebih aman dalam batas-batas kemampuan yang ditentukan.
- ▶ **Janganlah menggunakan perkakas listrik yang tombolnya rusak.** Perkakas listrik yang tidak bisa dihidupkan atau dimatikan, berbahaya dan harus direparasikan.
- ▶ **Tariklah steker dari stopkontak dan/atau keluarkan baterai, jika dapat dilepas, sebelum Anda melakukan penyetelan pada perkakas listrik, mengganti alat-alat kerja atau sebelum menyimpan perkakas listrik.** Tindakan keselamatan kerja ini mengurangi bahaya perkakas listrik hidup secara tidak disengaja.
- ▶ **Simpanlah perkakas listrik yang tidak digunakan di luar jangkauan anak-anak. Janganlah mengizinkan orang-orang yang tidak mengenal perkakas listrik ini atau yang belum membaca petunjuk-petunjuk ini, menggunakan perkakas listrik ini.** Perkakas listrik bisa menjadi berbahaya, jika digunakan oleh orang-orang yang tidak mengenalnya.
- ▶ **Rawatlah perkakas listrik dan alat-alatnya.** Periksalah, apakah bagian-bagian perkakas listrik yang bergerak berfungsi dengan baik dan tidak tersangkut, apakah ada bagian-bagian yang patah atau rusak sedemikian, sehingga dapat mempengaruhi jalannya perkakas listrik. Biarkan bagian-bagian perkakas yang rusak direparasikan, sebelum Anda mulai menggunakan perkakas listrik. Banyak kecelakaan terjadi karena perkakas listrik tidak dirawat dengan seksama.
- ▶ **Perhatikan supaya alat-alat pemotong selalu tajam dan bersih.** Alat-alat pemotong dengan mata-mata pemotong yang tajam dan dirawat dengan seksama tidak mudah tersangkut dan lebih mudah dikendalikan.
- ▶ **Gunakanlah semua perkakas listrik, aksesoris, alat-alat kerja dsb. sesuai dengan petunjuk-petunjuk.** Perhatikan syarat-syarat kerja dan macam pekerjaan yang dilakukan. Penggunaan perkakas listrik untuk macam pekerjaan yang tidak cocok dengan kegunaannya bisa mengakibatkan keadaan yang berbahaya.
- ▶ **Jaga handel dan permukaan gagang agar tetap kering, bersih dan bebas dari minyak dan lemak.** Handel dan permukaan gagang yang licin tidak menjamin keselamatan



kerja dan kontrol alat yang baik pada situasi yang tidak diinginkan.

#### Servis

- **Biarkan perkakas listrik Anda direparasikan hanya oleh orang-orang ahli yang berpengalaman dan hanya dengan menggunakan suku cadang yang asli.** Dengan demikian terjamin keselamatan kerja dengan perkakas listrik ini secara berkesinambungan.

#### Peringatan keselamatan mesin pemotong

- **Jaga jarak Anda dan orang lain di sekitar dari pengetam cakram yang berputar.** Pelindung akan membantu melindungi operator dari kepingan cakram yang pecah dan kontak secara tidak sengaja dengan cakram.
- **Hanya gunakan cakram pemotong yang terikat dengan kuat untuk perkakas listrik Anda.** Meski aksesoris dapat dipasang pada perkakas listrik Anda, hal ini tidak menjamin keamanan pengoperasian alat.
- **Ukuran kecepatan aksesoris setidaknya harus sama dengan kecepatan maksimum yang tertera pada perkakas listrik.** Aksesoris yang beroperasi lebih cepat dari ukuran kecepatan yang tertera dapat rusak dan terlepas.
- **Cakram harus digunakan sesuai dengan pemakaian yang dianjurkan. Misalnya: jangan menggerinda dengan sisi cakram pemotong.** Cakram pemotong abrasif digunakan untuk menggerinda bagian tepi, gaya di sisi cakram dapat menyebabkan cakram pecah.
- **Selalu gunakan flensa cakram yang tidak rusak dengan diameter yang sesuai untuk cakram yang dipilih.** Flensa cakram yang tepat akan membantu cakram mengurangi kemungkinan kerusakan cakram.
- **Diameter dan ketebalan luar aksesoris harus dalam kapasitas perkakas listrik.** Aksesoris yang ukurannya salah tidak dapat dikendalikan dan ditanggung keamanannya.
- **Ukuran poros cakram dan flensa harus sesuai dengan poros dari perkakas listrik.** Cakram dan flensa dengan lubang poros yang tidak sesuai dengan perangkat keras yang terpasang pada perkakas listrik akan kehilangan keseimbangan, bergetar terlalu keras, dan kehilangan kendali.
- **Jangan gunakan cakram yang telah rusak. Setiap sebelum penggunaan, periksa cakram apakah ada serpihan atau retakan. Jika perkakas listrik atau cakram terjatuh, periksa perkakas dari kerusakan atau pasang cakram yang tidak rusak. Setelah memeriksa dan memasang cakram, jaga jarak Anda dari pengetam cakram yang berputar dan hidupkan perkakas listrik dengan kecepatan maksimum tanpa beban selama satu menit.** Cakram yang rusak biasanya akan hancur dalam waktu uji ini.
- **Kenakan alat pelindung. Tergantung pemakaian, gunakan pelindung wajah, kaca mata pelindung atau kaca mata keamanan. Kenakan masker debu, pelindung pendengaran, sarung tangan, dan pakaian**

#### kerja yang mampu melindungi dari material kecil atau kepingan benda kerja.

Pelindung mata harus mampu melindungi dari puing-puing yang terbang selama pemakaian. Masker debu atau respirator harus mampu menyaring partikel yang dihisapkan saat pemakaian perkakas. Pemakaian terlalu lama hingga menimbulkan kebisingan yang sangat tinggi dapat menimbulkan kehilangan pendengaran.

- **Hendaklah pengamat memberi jarak aman dengan area kerja. Siapa saja yang memasuki area kerja harus memakai alat pelindung.** Bagian dari alat kerja atau cakram yang rusak dapat terlempar dan menyebabkan cedera di luar area langsung pengoperasian.
- **Jauhkan kabel dari aksesoris yang berputar.** Jika Anda kehilangan kendali, kabel dapat terpotong atau tersangkut dan tangan atau lengan anda dapat tertarik ke cakram yang sedang berputar
- **Bersihkan ventilasi udara pada perkakas listrik secara berkala.** Kipas motor dapat menyerap debu ke dalam housing dan kumpulan serbuk logam yang terlalu banyak dapat menyebabkan bahaya listrik.
- **Jangan gunakan perkakas listrik ini berdekatan dengan material yang mudah terbakar. Jangan operasikan perkakas listrik saat berada di atas permukaan yang mudah terbakar seperti kayu.** Percikan api dapat membakar material-material tersebut.
- **Jangan gunakan aksesoris yang memakai pendingin cair.** Menggunakan air atau pendingin cair lainnya dapat menyebabkan sengatan atau kejut listrik.

#### Sentakan dan peringatan terkait

- Sentakan merupakan reaksi tiba-tiba pada cakram yang berputar, terjepit, atau tersangkut. Terjepit atau tersangkut dapat menyebabkan cakram yang berputar dapat terulur dengan cepat yang mengakibatkan **unit pemotongan** yang tidak terkontrol mendesak ke atas mengarah ke operator. Sebagai contoh, jika sebuah cakram abrasif tersangkut atau terjepit benda kerja, tepi cakram yang masuk ke titik jepit dapat masuk ke dalam permukaan material yang menyebabkan cakram naik atau terlempar ke luar. Cakram abrasif juga dapat rusak karena hal-hal ini. Sentakan merupakan akibat dari penggunaan yang salah dari perkakas listrik ini dan/atau prosedur atau syarat pengoperasian atau syarat-syarat penggunaan yang tidak tepat, namun dapat dihindari dengan melakukan tindakan pencegahan yang tepat seperti yang diberikan di bawah ini.
- **Pegang gagang perkakas listrik dan posisikan tubuh dan lengan Anda agar dapat menahan gaya sentakan.** Operator dapat mengendalikan gaya sentakan ke atas, apabila dilakukan tindakan pencegahan yang benar.
- **Jangan posisikan tubuh Anda sejajar dengan cakram yang berputar.** Jika terjadi sentakan, hal ini akan mendorong unit pemotongan ke atas mengarah ke operator.
- **Jangan pasang rantai gergaji, pisau pengukir kayu, cakram intan tersegmentasi dengan celah bagian tepi**

## 42 | Bahasa Indonesia

**lebih dari 10 mm atau gergaji bergerigi.** Jenis pisau tersebut dapat menimbulkan sentakan dan kehilangan kendali.

- ▶ **Jangan „menyumbat“ cakram atau memberikan tekanan yang terlalu besar.** Tekanan yang terlalu tinggi pada cakram akan meningkatkan beban dan kerentanan terhadap putaran atau ikatan cakram dalam memotong dan kemungkinan terjadinya sentakan atau kerusakan cakram.
  - ▶ **Ketika cakram terbelit atau ketika pemotongan terhenti oleh suatu sebab, matikan perkakas dan pegang unit pemotongan tanpa gerakan hingga perkakas benar-benar mati. Jangan pernah mencoba melepas cakram dari potongan ketika cakram sedang berputar karena dapat menyebabkan sentakan.** Periksa dan lakukan reparasi untuk mengatasi penyebab cakram tersangkut.
  - ▶ **Jangan melanjutkan pemotongan saat perkakas berada dalam benda kerja. Biarkan cakram berputar dengan kecepatan penuh dan lanjutkan memotong dengan hati-hati.** Cakram dapat terbelit, maju, atau mundur jika perkakas listrik dihidupkan kembali dalam benda kerja.
  - ▶ **Topang benda kerja yang berukuran sangat besar untuk mengurangi risiko cakram tersangkut dan mengalami sentakan.** Benda kerja yang besar cenderung akan merosot akibat besarnya beban. Penyangga harus ditempatkan di bawah benda kerja dekat dengan garis potong dan dekat tepi benda kerja pada kedua sisi cakram.
- Petunjuk-petunjuk untuk keselamatan kerja lainnya**
- ▶ **Simpankan perkakas listrik yang tidak digunakan dengan baik. Tempat untuk menyimpan harus kering dan dapat dikunci.** Dengan demikian dihindarkan bahwa perkakas listrik menjadi rusak selama disimpan atau digunakan oleh orang-orang yang tidak mampu menggunakannya.
  - ▶ **Benda yang dikerjakan selalu harus dipegang dengan alat supaya tidak goyang. Janganlah mengerjakan benda-benda yang terlalu kecil untuk dipegang dengan alat.** Jika tidak, jarak antara tangan Anda dan piringan pemotong yang berputar terlalu kecil.
  - ▶ **Janganlah menggunakan perkakas listrik, jika kabelnya rusak. Janganlah menyentuh kabel yang rusak dan tariklah steker dari stopkontak, jika kabel menjadi rusak selama penggunaan perkakas listrik.** Kabel yang rusak membuat risiko terjadinya kontak listrik menjadi lebih besar.
  - ▶ **Periksalah secara berkala kabel listrik dan biarkan kabel listrik yang rusak direparasikan hanya oleh Service Center untuk perkakas listrik Bosch yang resmi. Kabel penyambung yang rusak harus digantikan.** Dengan demikian keselamatan kerja dengan perkakas listrik ini selalu terjaga.
  - ▶ **Gunakanlah selalu kap pelindung.** Kap pelindung melindungi pengguna mesin terhadap bagian-bagian yang patah dari piringan pemotong dan supaya piringan pemotong tidak disentuh secara tidak disengaja.

- ▶ **Janganlah sekali-kali meninggalkan perkakas listrik, jika masih belum berhenti sama sekali.** Alat kerja yang masih berputar bisa mengakibatkan terjadinya luka-luka.

## Simbol-Simbol

Simbol-simbol berikut bisa sangat membantu Anda selama penggunaan perkakas listrik. Pelajari dan ingati simbol-simbol berikut dan maknanya. Pengertian yang betul dari simbol-simbol ini bisa membantu Anda untuk menggunakan perkakas listrik dengan jitu dan aman.

Simbol	Arti
	▶ <b>Jagalah supaya tangan-tangan Anda tidak mendekati bidang pemotongan, selama perkakas listrik sedang jalan.</b> Sentuhan pada piringan pemotong bisa mengakibatkan luka-luka.
	▶ <b>Pakailah pemalut telinga.</b> Jika Anda mendengar suara bising untuk waktu yang lama, daya pendengaran bisa berkurang.
	▶ <b>Pakailah kaca mata pelindung.</b>
	▶ <b>Pakailah masker anti debu.</b>
	▶ <b>Pakailah sarung tangan pelindung.</b> ▶ Mata gergaji memiliki tepi yang tajam dan dapat menjadi sangat panas saat digunakan.

## Penjelasan tentang produk dan daya



**Bacalah semua petunjuk-petunjuk untuk keselamatan kerja dan petunjuk-petunjuk untuk penggunaan.** Kesalahan dalam menjalankan petunjuk-petunjuk untuk keselamatan kerja dan petunjuk-petunjuk untuk penggunaan dapat mengakibatkan

kontak listrik, kebakaran dan/atau luka-luka yang berat.

### Penggunaan alat

Perkakas listrik ini dirancang sebagai peralatan yang dapat berdiri di lantai dengan bantuan mata gergaji yang dapat memotong secara memanjang dan menyalang dengan arah potongan lurus dan sudut miter hingga 45° pada material logam tanpa menggunakan air. Tidak diperbolehkan menggunakan mata gergaji berlian.

## Bagian-bagian pada gambar

Nomor-nomor dari bagian-bagian sesuai dengan nomor-nomor pada gambar perkakas listrik pada halaman bergambar.

- 1 Pengunci penghidupan kembali untuk tombol untuk menghidupkan dan mematikan
- 2 Tombol untuk menghidupkan dan mematikan
- 3 Pegangan
- 4 Kap pelindung yang bisa bergerak
- 5 Penguncian poros
- 6 Piringan pemotong
- 7 Sandaran
- 8 Ulir
- 9 Mur yang bisa dibuka
- 10 Gagang ulir
- 11 Lubang-lubang untuk pemasangan
- 12 Kunci mur dalam (8 mm)
- 13 Pelat dasar
- 14 Bibir penekan
- 15 Tumpuan untuk benda kerja dengan penampang maksimal seluas 40 x 40 mm
- 16 Baut pengunci untuk sandaran
- 17 Kunci untuk transpor
- 18 Kepala perkakas
- 19 Pegangan untuk mengangkat selama transpor
- 20 Kap pelindung
- 21 Pelindung terhadap pemancaran bunga api
- 22 Poros kerja
- 23 Flens pemegang
- 24 Ring plat
- 25 Baut berkepala segi enam

Aksesori yang ada pada gambar atau yang dijelaskan, tidak termasuk pasokan standar dari perkakas listrik. Semua aksesori yang ada bisa Anda lihat dalam program aksesori Bosch.

## Data teknis

Mesin gerinda pemotong	GCO 14-24 J	
Nomor model		3 601 M37 2..
Masukan nominal	W	2400
Kecepatan putaran tanpa beban	min <sup>-1</sup>	3800
Awalan start yang perlahan-lahan		●
Berat sesuai dengan EPTA-Procedure 01:2014	kg	18,0
Klasifikasi keamanan		□/II

Ukuran benda yang dikerjakan (maks./min.) lihat hal. 45.  
Data-data berlaku untuk tegangan nominal [U] 230 V. Pada tegangan yang lebih rendah dan pada model khusus mancanegara data-data ini bisa berlainan.

Ukuran piringan pemotong yang cocok		
Diameter maks. piringan pemotong	mm	355
Ketebalan maks. piringan pemotong	mm	3
Diameter lubang penahan	mm	25,4

## Cara memasang

### Pasokan standar

Keluarkan semua komponen yang termasuk pasokan dengan hati-hati dari kemasannya.

Singkirkan semua bahan kemasan dari perkakas listrik dan dari aksesori yang termasuk pasokan.

Sebelum menggunakan perkakas listrik untuk pertama kalinya, periksalah apakah semua bagian-bagian yang tersebut di bawah ini termasuk pasokan:

- Mesin gerinda pemotong dengan piringan pemotong yang terpasang
- Kunci L 12

### Pemasangan secara tetap atau fleksibel

- **Untuk menjamin keselamatan kerja dengan perkakas listrik, perkakas listrik sebelum digunakan harus dipasangkan dahulu pada tempat kerja yang datar dan stabil (misalnya meja kerja).**

### Pemasangan pada tempat kerja (lihat gambar A)

- Pasangkan perkakas listrik pada tempat kerja dengan cara penyekrupan yang cocok. Untuk hal ini ada lubang-lubang bor 11.

### Pemasangan yang fleksibel (tidak dianjurkan!)

Jika kadang-kadang keadaan tidak mengizinkan untuk memasang perkakas listrik secara teguh pada tempat kerja, Anda dapat membuat perkecualian dengan cara meletakkan kaki-kaki dari pelat dasar 13 pada alas yang cocok untuk itu (mis. meja kerja, lantai yang datar dsb.), tanpa memantapkan perkakas listrik dengan penyekrupan.

### Mengganti alat kerja (lihat gambar-gambar B1 – B2)

- **Gerakkan penguncian poros 5 hanya jika sumbu kerja 22 tidak berputar.** Jika tidak, perkakas listrik dapat menjadi rusak oleh karenanya.
- **Janganlah memegang piringan pemotong segera setelah berhenti bekerja, tunggulah sampai piringan pemotong menjadi dingin.** Piringan pemotong menjadi sangat panas jika digunakan.

Gunakanlah selalu hanya piringan pemotong yang mempunyai data-data seperti yang dicantumkan dalam petunjuk-petunjuk ini dan telah diuji coba dan diberi tanda menurut peraturan EN 12413.

Gunakan lapisan yang disertakan dengan mata gergaji jika memungkinkan.

Simpankan piringan pemotong yang tidak digunakan dalam kotak yang tertutup atau dalam kemasan aslinya. Simpankan piringan pemotong secara mendatar.

### Melepaskan piringan pemotong

- Setelkan perkakas listrik ini dalam kedudukan siap untuk bekerja. (lihat „Melepaskan penguncian perkakas listrik (susunan siap kerja)“, halaman 44)
- Putarkan kap pelindung yang bisa bergerak 4 ke belakang sampai batas.

**44 | Bahasa Indonesia**

- Putar baut heksagonal **25** dengan kunci L yang tersedia **12** dan tekan pengunci poros dalam waktu bersamaan **5**, sampai kuat terkunci.
- Tahankan tekanan pada penguncian poros dan putarkan baut berkepala segi enam **25** ke luar.
- Lepaskan ring plat **24** dan flens pemegang **23**.
- Lepaskan piringan pemotong **6**.

**Memasang piringan pemotong**

- Pasangkan piringan pemotong yang baru pada sumbu kerja **22** sedemikian, sehingga label tempelan menghadap ke arah yang berlawanan dengan kepala perkakas.
- Pasang flens penjepit **23**, cincin **24** dan baut heksagonal **25**.  
Tekan kunci spindel **5** sampai terkunci kuat dan kencangkan kembali baut heksagonal **25** searah jarum jam. (Momen penguncian kira-kira 18–20 Nm)
- Putarkan kap pelindung yang bisa bergerak **4** perlahan-lahan ke bawah sampai batas, hingga piringan pemotong tertutup.
- Periksa apakah kap pelindung yang bisa bergerak **4** berfungsi dengan betul.

Setelah memasang piringan pemotong dan sebelum menghidupkan perkakas listrik, periksalah apakah piringan pemotong sudah dipasangkan dengan betul dan dapat berputar secara bebas.

- Perhatikanlah supaya piringan pemotong tidak bersentuhan dengan kap pelindung yang bisa bergerak **4**, kap pelindung **20** yang tetap atau bagian-bagian yang lain.
- Gunakanlah perkakas listrik selama kira-kira 30 detik. Jika terjadi vibrasi (getaran) yang kuat, matikan segera perkakas listrik, lepaskan piringan pemotong, kemudian pasang kembali piringan pemotong dengan betul.

**Penggunaan****Penguncian selama transpor (lihat gambar C)**

Dengan kunci untuk transpor **17**, mengangkut perkakas listrik ini ke berbagai tempat penggunaannya menjadi lebih mudah.

**Melepaskan penguncian perkakas listrik (susunan siap kerja)**

- Tekankan kepala perkakas sedikit ke bawah pada pegangannya **3** untuk melepaskan kunci untuk transpor **17**.
- Tarikkan kunci untuk transpor **17** ke luar sama sekali.
- Gerakkan kepala perkakas perlahan-lahan ke atas.

**Petunjuk:** Pada waktu menggunakan perkakas listrik, perhatikanlah bahwa kunci untuk transpor tidak tertekan ke dalam, jika tertekan ke dalam, kepala perkakas tidak bisa digerakkan ke kedalaman yang diperlukan.

**Mengunci perkakas listrik (susunan transpor)**

- Putarkan kepala perkakas ke bawah sampai kunci untuk transpor **17** bisa ditekan ke dalam sampai batas.

Terkait petunjuk-petunjuk lainnya untuk transpor lihat halaman 45.

**Menyetel sudut pemotongan (lihat gambar D)**

Sudut pemotongan bisa disetelkan dalam batas-batas penyetelan dari 0° sampai 45°.

Nilai-nilai penyetelan yang penting ditandai pada sandaran **7**. Posisi 0° dan 45° dijamin oleh penyetelan sampai batas masing-masing.

- Lepas sekrup pengencang **16** pada pengukur sudut dengan menggunakan kunci L yang tersedia **12** (8 mm).
- Setelkan sudut pemotongan yang diperlukan dan kemudian kencangkan kembali kedua baut pengunci **16**.

**Merubah kedudukan sandaran (lihat gambar D dan E)**

Anda dapat menggeserkan sandaran **7** ke belakang, jika Anda hendak memotong benda-benda yang lebih lebar daripada 140 mm.

- Buka skrup pengencang **16** dengan menggunakan kunci L yang tersedia **12** (8 mm).
- Geserkan sandaran **7** sebanyak jarak yang dibutuhkan sebesar satu atau dua lubang bor ke belakang.
- Setelkan sudut pemotongan yang diperlukan dan kemudian kencangkan kembali kedua baut pengunci **16**.

**Mengencangkan benda yang dikerjakan**

Untuk menjamin keselamatan kerja yang sebesar-besarnya, benda yang dikerjakan selalu harus dikencangkan. Janganlah mengerjakan benda-benda yang terlalu kecil untuk dipegang dengan alat.

**Mengencangkan benda yang dikerjakan (lihat gambar E)**

- Letakkan benda yang dikerjakan pada sandaran **7**.
- Dorongkan ulir **8** pada benda yang dikerjakan dan kencangkan benda yang dikerjakan dengan memutar gagang ulir **10**.

**Memasang benda kerja (luas penampang maksimal 40 x 40 mm) pada tumpuan (lihat gambar-gambar F–H)**

- Atur pada pembatas sudut **7** sudut persambungan siku-siku standar 0°.
- Angkat tumpuan benda kerja **15** secara perlahan dan dorong ke dalam slot pembatas sudut.
- Gantungkan pengait tumpuan ke dalam mulut penjepit **14**.
- Letakkan benda kerja pada tumpuan **15**.
- Dorongkan ulir **8** pada benda yang dikerjakan dan kencangkan benda yang dikerjakan dengan memutar gagang ulir **10**.

► **Pastikan apakah tumpuan terikat dengan kencang dengan penjepit dan tidak miring saat Anda meletakkan benda kerja.**

► **Perhatikan bahwa tinggi benda kerja maksimal 40 mm pada tumpuan. Benda kerja yang lebih tinggi tidak dapat terjepit dengan aman.**

► **Pastikan apakah tumpuan telah didorong kembali dengan penuh ke dalam pembatas sudut setelah diggunakan. Pengait yang tampak akan menghalangi benda kerja terjepit dengan kencang**

**Melepaskan benda yang dikerjakan**

- Kendorkan gagang ulir **10**.
- Buka mur yang bisa dibuka **9** dan tarikkan ulir **8** menjauh dari benda yang dikerjakan.

## Cara penggunaan

Debu dari bahan-bahan seperti misalnya cat yang mengandung timbel (timah hitam), bahan mineral dan logam bisa berbahaya bagi kesehatan. Menyentuh atau menghirup debu-debu ini bisa mengakibatkan reaksi alergi dan/atau penyakit saluran pernafasan pada orang yang menggunakan mesin atau orang yang berada di dekatnya.

Debu logam-logam tertentu dianggap berbahaya, terutama dalam campuran dengan logam paduan seperti misalnya seng, aluminium atau krom. Bahan-bahan yang mengandung asbes hanya boleh dikerjakan oleh orang-orang yang ahli.

- Perhatikanlah supaya ada pertukaran udara di tempat kerja.
- Kami anjurkan supaya Anda memakai kedok anti debu dengan saringan (filter) kelas P2.

Taatilah peraturan-peraturan untuk bahan-bahan yang dikerjakan yang berlaku di negara Anda.

Piringan pemotong dapat memblok oleh karena ada debu, bram atau pecahan benda yang dikerjakan di dalam lubang dari pelat dasar **13**.

- Matikan perkakas listrik dan tarikkan steker dari stopkontak.
- Tunggulah hingga piringan pemotong berhenti memutar sama sekali.
- Miringkan perkakas listrik ke belakang, supaya bagian-bagian yang kecil dari benda yang dikerjakan dapat terjatuh ke luar dari lubang yang khusus untuk maksud ini. Jika perlu, gunakanlah alat yang cocok untuk menyingkirkan semua bagian-bagian dari benda yang dikerjakan.

## Menghidupkan dan mematikan (lihat gambar I)

- Untuk **menghidupkan**, tekan dahulu pengunci penghidupan kembali **1**. Setelah itu tombol untuk menghidupkan dan mematikan **2** ditekan dan tahan tekanan.

**Petunjuk:** Berdasarkan alasan keselamatan kerja, tombol untuk menghidupkan dan mematikan **2** tidak bisa dikuncikan, melainkan selama penggunaan perkakas, tombol ini harus ditekan terus.

- Untuk **mematikan**, lepaskan tombol untuk menghidupkan dan mematikan **2**.

## Awalan start yang perlahan-lahan

Awalan start yang perlahan-lahan secara elektronika membatasi momen putar pada waktu perkakas dihidupkan dan membuat motor tahan lebih lama.


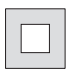


## Petunjuk-petunjuk untuk pemakaian

### Petunjuk-petunjuk umum untuk memotong

- ▶ **Janganlah memegang piringan pemotong segera setelah berhenti bekerja, tunggulah sampai piringan pemotong menjadi dingin.** Piringan pemotong menjadi sangat panas jika digunakan.
- ▶ **Perhatikanlah supaya pelindung terhadap pemancaran bunga api 21 telah dipasang dengan betul.** Selama menggerinda bahan logam terjadi pemancaran bunga api.

## Ukuran benda yang dapat dikerjakan

Ukuran **maksimal**:

Bentuk benda yang dikerjakan	Sudut potong	
	0°	45°
	129 Ø	128 Ø
	119 x 119	110 x 110
	100 x 196	107 x 115
	130 x 130	115 x 115

### Ukuran **minimal**

(= semua benda-benda yang masih dapat dikencangkan dengan ulir **8**): panjang 80 mm

**Kedalaman pemotong maks.** (0°/0°): 129 mm

### Memotong logam

- Bila diperlukan, Anda dapat mengatur sudut miter yang diinginkan.
- Kencangkan benda yang akan dikerjakan sesuai dengan ukurannya.
- Hidupkan perkakas listrik.
- Gerakkan kepala perkakas pada pegangannya **3** perlahan-lahan ke bawah.
- Potongkan benda yang dikerjakan dengan tekanan ke depan yang rata.
- Matikan perkakas listrik dan tunggulah hingga piringan pemotong berhenti memutar sama sekali.
- Gerakkan kepala perkakas perlahan-lahan ke atas.

### Transpor

- Angkatkan selalu perkakas listrik pada pegangan untuk mengangkat selama transpor **19**.
- ▶ **Pada waktu mentranspor perkakas listrik, gunakanlah hanya sarana untuk mentranspor dan jangan sekali-kali menggunakan sarana pelindung untuk mentranspor.**

## Rawatan dan servis

### Rawatan dan kebersihan

- ▶ **Sebelum mulai dengan pekerjaan pada perkakas listrik, tariklah steker dari stopkontak.**
- ▶ **Gunakanlah selalu alat penghisap pada penggunaan tertentu jika memungkinkan. Tiuplah dengan rutin kisi-kisi ventilasi dan nyalakan sisa pemutus arus (PRCD).** Saat pengerjaan bahan logam, debu konduktif dapat disimpan di dalam perkakas listrik. Isolasi keselamatan dari perkakas listrik dapat terganggu.

## 46 | Tiếng Việt

Jika kabel listrik harus digantikan, pekerjaan ini harus dilakukan oleh Bosch atau Service Center untuk perkakas listrik Bosch yang resmi, supaya keselamatan kerja selalu terjamin.

Kap pelindung yang bisa bergerak harus dapat bergerak secara bebas dan menutup sendiri. Karena itu, jagalah supaya bidang di sekeliling kap pelindung yang bisa bergerak, selalu bersih.

## Aksesori

	Nomor model
<b>Cakram pemotong untuk semua bahan logam</b>	
Piringan pemotong 355 x 25,4 mm	2 608 600 208
Piringan pemotong 355 x 25,4 mm	2 608 600 223

## Layanan pasca beli dan konseling terkait pengoperasian

Layanan pasca beli Bosch menjawab semua pertanyaan Anda terkait reparasi dan maintenance serta suku cadang produk ini. Gambar tiga dimensi dan informasi terkait suku cadang dapat Anda lihat di:

[www.bosch-pt.com](http://www.bosch-pt.com)

Tim konseling pengoperasian dari Bosch dengan senang hati membantu Anda, jika Anda hendak bertanya tentang produk-produk kami dan aksesorisnya.

Jika Anda hendak menanyakan sesuatu atau memesan suku cadang, sebutkan selalu nomor model yang terdiri dari 10 angka dan tercantum pada label tipe produk.

## Indonesia

PT Robert Bosch  
Palma Tower 10<sup>th</sup> Floor  
Jl. RA Kartini II-S Kaveling 6 Sek II  
Pondok Pinang, Kebayoran Lama  
Jakarta Selatan 12310  
Tel.: (021) 3005 5800  
Fax: (021) 3005 5801  
E-Mail: [boschpowertools@id.bosch.com](mailto:boschpowertools@id.bosch.com)  
[www.bosch-pt.co.id](http://www.bosch-pt.co.id)

## Cara membuang

Perkakas listrik, aksesoris dan kemasan sebaiknya didaur ulang sesuai dengan upaya untuk melindungi lingkungan hidup.



Janganlah membuang perkakas listrik dalam sampah rumah tangga!

Perubahan dapat terjadi tanpa pemberitahuan sebelumnya.

## Tiếng Việt

## Các Nguyên Tắc An Toàn

## Tổng hợp Cảnh báo An toàn Dụng cụ Điện Cầm tay

**⚠ CẢNH BÁO** Hãy đọc toàn bộ các cảnh báo an toàn, hướng dẫn, hình ảnh và thông số kỹ thuật được cung cấp cho dụng cụ điện cầm tay này. Không tuân thủ mọi hướng dẫn được liệt kê dưới đây có thể bị điện giật, gây cháy và/hay bị thương tật nghiêm trọng.

Lưu giữ toàn bộ các cảnh báo và hướng dẫn để tham khảo trong tương lai.

Thuật ngữ “dụng cụ điện cầm tay” trong các cảnh báo để viện dẫn tới dụng cụ cầm tay có vận hành điện (có dây) hoặc vận hành bằng pin (không dây).

**⚠ CẢNH BÁO** Khi sử dụng dụng cụ điện, người sử dụng phải luôn luôn tuân theo các cách để phòng an toàn cơ bản để làm giảm nguy cơ cháy, điện giật hay gây thương tích cho bản thân, kể cả việc sau đây. Đọc tất cả các hướng dẫn này trước khi dự định thử vận hành sản phẩm này và hãy giữ lại các hướng dẫn này.

## Khu vực làm việc an toàn

- ▶ Giữ nơi làm việc sạch và đủ ánh sáng. Nơi làm việc bừa bộn và tối tăm dễ gây ra tai nạn.
- ▶ Không vận hành dụng cụ điện cầm tay trong môi trường dễ gây nổ, chẳng hạn như nơi có chất lỏng dễ cháy, khí đốt hay rác. Dụng cụ điện cầm tay tạo ra các tia lửa nên có thể làm rác bén cháy hay bốc khói.
- ▶ Không để trẻ em hay người đến xem đứng gần khi vận hành dụng cụ điện cầm tay. Sự phân tâm có thể gây ra sự mất điều khiển.

## An toàn về điện

- ▶ Phích cắm của dụng cụ điện cầm tay phải thích hợp với ổ cắm. Không bao giờ được cải biến lại phích cắm dưới mọi hình thức. Không được sử dụng phích tiếp hợp nối tiếp đất (dây mát). Phích cắm nguyên bản và ổ cắm đúng loại sẽ làm giảm nguy cơ bị điện giật.
- ▶ Tránh không để thân thể tiếp xúc với đất hay các vật có bề mặt tiếp đất như đường ống, lò sưởi, hàng rào và tủ lạnh. Có nhiều nguy cơ bị điện giật hơn nếu cơ thể bạn bị tiếp hay nối đất.
- ▶ Không được để dụng cụ điện cầm tay ngoài mưa hay ở tình trạng ẩm ướt. Nước vào máy sẽ làm tăng nguy cơ bị điện giật.
- ▶ Không được lạm dụng dây dẫn điện. Không bao giờ được nắm dây dẫn để xách, kéo hay

**rút phích cắm dụng cụ điện cầm tay. Không để dây gần nơi có nhiệt độ cao, dầu nhớt, vật nhọn bén hay bộ phận chuyển động.** Làm hỏng hay cuộn rối dây dẫn làm tăng nguy cơ bị điện giật.

- ▶ **Khi sử dụng dụng cụ điện cầm tay ngoài trời, dùng dây nối thích hợp cho việc sử dụng ngoài trời.** Sử dụng dây nối thích hợp cho việc sử dụng ngoài trời làm giảm nguy cơ bị điện giật.
- ▶ **Nếu việc sử dụng dụng cụ điện cầm tay ở nơi ẩm ướt là không thể tránh được, dùng thiết bị ngắt mạch tự động (RCD) bảo vệ nguồn.** Sử dụng thiết bị ngắt mạch tự động RCD làm giảm nguy cơ bị điện giật.

#### An toàn cá nhân

- ▶ **Hãy tỉnh táo, biết rõ mình đang làm gì và hãy sử dụng ý thức khi vận hành dụng cụ điện cầm tay.** Không sử dụng dụng cụ điện cầm tay khi đang mệt mỏi hay đang bị tác động do chất gây nghiện, rượu hay dược phẩm gây ra. Một thoáng mất tập trung khi đang vận hành dụng cụ điện cầm tay có thể gây thương tích nghiêm trọng cho bản thân.
- ▶ **Sử dụng trang bị bảo hộ cá nhân.** Luôn luôn đeo kính bảo vệ mắt. Trang bị bảo hộ như khẩu trang, giày chống trượt, nón bảo hộ, hay dụng cụ bảo vệ tai khi được sử dụng đúng nơi đúng chỗ sẽ làm giảm nguy cơ thương tật cho bản thân.
- ▶ **Phòng tránh máy khởi động bất ngờ.** Bảo đảm công tắc máy ở vị trí tắt trước khi cắm vào nguồn điện và/hay lắp pin vào, khi nhắc máy lên hay khi mang xách máy. Ngáng ngón tay vào công tắc máy để xách hay kích hoạt dụng cụ điện cầm tay khi công tắc ở vị trí mở để dẫn đến tai nạn.
- ▶ **Lấy mọi chìa hay khóa điều chỉnh ra trước khi mở điện dụng cụ điện cầm tay.** Khóa hay chìa còn gắn dính vào bộ phận quay của dụng cụ điện cầm tay có thể gây thương tích cho bản thân.
- ▶ **Không rướn người.** Luôn luôn giữ tư thế đứng thích hợp và thăng bằng. Điều này tạo cho việc điều khiển dụng cụ điện cầm tay tốt hơn trong mọi tình huống bất ngờ.
- ▶ **Trang phục thích hợp.** Không mặc quần áo rộng lung tung hay mang trang sức. Giữ tóc và quần áo xa khỏi các bộ phận chuyển động. Quần áo rộng lung tung, đồ trang sức hay tóc dài có thể bị cuốn vào các bộ phận chuyển động.
- ▶ **Nếu có các thiết bị đi kèm để nối máy hút bụi và các phụ kiện khác, bảo đảm các thiết bị này được nối và sử dụng tốt.** Việc sử dụng các thiết bị gom hút bụi có thể làm giảm các độc hại liên quan đến bụi gây ra.

- ▶ **Không để thói quen do sử dụng thường xuyên dụng cụ khiến bạn trở nên chủ quan và bỏ qua các quy định an toàn dụng cụ.** Một hành vi bất cẩn có thể gây ra thương tích nghiêm trọng chỉ trong tích tắc.

#### Sử dụng và bảo dưỡng dụng cụ điện cầm tay

- ▶ **Không được ép máy.** Sử dụng dụng cụ điện cầm tay đúng loại theo đúng ứng dụng của bạn. Dụng cụ điện cầm tay đúng chức năng sẽ làm việc tốt và an toàn hơn theo đúng tiến độ mà máy được thiết kế.
- ▶ **Không sử dụng dụng cụ điện cầm tay nếu như công tắc không tắt và mở được.** Bất kỳ dụng cụ điện cầm tay nào mà không thể điều khiển được bằng công tắc là nguy hiểm và phải được sửa chữa.
- ▶ **Rút phích cắm ra khỏi nguồn điện và/hay pin ra khỏi dụng cụ điện cầm tay nếu có thể tháo được, trước khi tiến hành bất kỳ điều chỉnh nào, thay phụ kiện, hay cất dụng cụ điện cầm tay.** Các biện pháp ngăn ngừa như vậy làm giảm nguy cơ dụng cụ điện cầm tay khởi động bất ngờ.
- ▶ **Cất giữ dụng cụ điện cầm tay không dùng tới nơi trẻ em không lấy được và không cho người chưa từng biết dụng cụ điện cầm tay hay các hướng dẫn này sử dụng dụng cụ điện cầm tay.** Dụng cụ điện cầm tay nguy hiểm khi ở trong tay người chưa được chỉ cách sử dụng.
- ▶ **Bảo quản dụng cụ điện cầm tay và các phụ kiện.** Kiểm tra xem các bộ phận chuyển động có bị sai lệch hay kẹt, các bộ phận bị rạn nứt và các tình trạng khác có thể ảnh hưởng đến sự vận hành của máy. Nếu bị hư hỏng, phải sửa chữa máy trước khi sử dụng. Nhiều tai nạn xảy ra do bảo quản dụng cụ điện cầm tay tồi.
- ▶ **Giữ các dụng cụ cất bên và sạch.** Bảo quản đúng cách các dụng cụ cất có cạnh cất bên làm giảm khả năng bị kẹt và dễ điều khiển hơn.
- ▶ **Sử dụng dụng cụ điện cầm tay, phụ kiện, đầu cài v. v., đúng theo các chỉ dẫn này, hãy lưu ý đến điều kiện làm việc và công việc phải thực hiện.** Sử dụng dụng cụ điện cầm tay khác với mục đích thiết kế có thể tạo nên tình huống nguy hiểm.
- ▶ **Giữ tay cầm và bề mặt nắm luôn khô ráo, sạch sẽ và không dính dầu mỡ.** Tay cầm và bề mặt nắm trơn trượt không đem lại thao tác an toàn và kiểm soát dụng cụ trong các tình huống bất ngờ.

#### Bảo dưỡng

- ▶ **Đưa dụng cụ điện cầm tay của bạn đến thợ chuyên môn để bảo dưỡng, chỉ sử dụng phụ tùng đúng chủng loại để thay.** Điều này sẽ đảm bảo sự an toàn của máy được giữ nguyên.

## 48 | Tiếng Việt

**Cảnh báo về an toàn của máy cắt**

- ▶ **Bạn và người đứng xung quanh phải tránh xa đĩa quay của máy bào.** Vành bảo vệ giúp bảo vệ người vận hành tránh các mảnh vỡ đĩa mài, tiếp xúc do vô tình với đĩa mài.
- ▶ **Chỉ sử dụng các đĩa cắt cốt thép dính bám cho dụng cụ điện của bạn.** Bởi vì phụ kiện có thể gắn được với dụng cụ điện cầm tay của bạn, nhưng nó không đảm bảo hoạt động an toàn.
- ▶ **Tốc độ định mức của phụ kiện tối thiểu phải bằng tốc độ tối đa được ghi trên dụng cụ điện cầm tay.** Các phụ kiện chạy nhanh hơn tốc độ định mức của chúng có thể bị vỡ và văng ra.
- ▶ **Phải sử dụng các đĩa mài được chỉ định riêng cho từng công việc. Ví dụ?: không được mài bằng cạnh của đĩa cắt.** Các đĩa cắt bằng nhôm chỉ được sử dụng cho mài mép, các lực biến tác dụng vào các đĩa cắt này có thể làm chúng bị vỡ.
- ▶ **Luôn sử dụng các bích đệm đĩa không bị hư hỏng đúng đường kính cho đĩa đã chọn của bạn.** Các bích đệm đĩa phù hợp đỡ đĩa mài cho phép làm giảm khả năng vỡ đĩa.
- ▶ **Đường kính ngoài và độ dày của phụ kiện phải nằm trong định mức công suất của dụng cụ điện cầm tay của bạn.** Không thể bảo vệ hoặc kiểm soát phù hợp các phụ kiện sai kích cỡ.
- ▶ **Kích cỡ đĩa cắt và bích đệm phải vừa khớp với trục quay của dụng cụ điện.** Đĩa cắt và bích đệm các lỗ trục không khớp với các phụ kiện cứng ghép nối của dụng cụ điện cầm tay sẽ làm mất cân bằng, rung lắc quá mức và có thể làm mất kiểm soát.
- ▶ **Không được sử dụng các đĩa mài bị hư hỏng. Trước mỗi lần sử dụng, cần kiểm tra kỹ các phoi mài và rạn nứt của đĩa mài. Nếu làm rơi dụng cụ điện cầm tay hoặc đĩa mài, cần kiểm tra hư hỏng hoặc thay thế bằng đĩa mài không bị hư hỏng. Sau khi kiểm tra và thay thế đĩa mài, bạn và người đứng xung quanh phải tránh đĩa xoay của máy bào và khởi động dụng cụ điện ở tốc độ không tải tối đa trong vòng một phút.** Các đĩa mài bị hư hỏng thường bị vỡ dôi trong quá trình chạy thử này.
- ▶ **Mặc thiết bị bảo hộ cá nhân. Tùy thuộc vào từng công việc, hãy sử dụng mặt nạ, kính bảo vệ hoặc kính an toàn. Nếu có, hãy đeo mặt nạ chống bụi, dụng cụ bảo vệ tai, găng tay và tạp dề lao động có thể ngăn chặn mảnh mài nhỏ hoặc các mảnh vụn của phôi.** Dụng cụ bảo vệ mắt phải có khả năng ngăn chặn mảnh vỡ bắn ra do các thao tác khác nhau sinh ra. Mặt nạ chống bụi hoặc mặt nạ chống độc phải có khả năng lọc các tạp chất do thao tác của bạn sinh ra. Việc tiếp

xúc lâu với tiếng ồn quá cao có thể làm giảm thính giác.

- ▶ **Hãy cách ly người xung quanh tránh xa khu vực làm việc một khoảng cách an toàn. Bất kỳ ai đi vào khu vực làm việc phải mặc thiết bị bảo hộ cá nhân.** Các mảnh vỡ của phôi hoặc của đĩa mài bị vỡ có thể văng ra ngoài khỏi khu vực làm việc và có thể gây tổn thương.
- ▶ **Để dây điện tránh xa phần phụ kiện quay.** Nếu bạn mất kiểm soát, dây điện có thể bị đứt hoặc mài mòn và bàn tay hoặc tay của bạn có thể bị kéo vào phần đĩa quay.
- ▶ **Thường xuyên vệ sinh các lỗ thông khí của dụng cụ điện cầm tay.** Quạt của mô tơ có thể hút bụi bẩn vào trong vỏ ngoài và việc tích tụ quá mức hạt kim loại có thể gây ra các rủi ro điện giật.
- ▶ **Không được vận hành dụng cụ điện cầm tay gắn các vật liệu dễ cháy. Không được vận hành dụng cụ điện cầm tay đặt trên bề mặt dễ cháy như gỗ.** Các tia lửa có thể đốt cháy các vật liệu đó.
- ▶ **Không được sử dụng các phụ kiện cần sử dụng các dung dịch làm nguội.** Việc sử dụng nước hoặc các dung dịch làm nguội khác có thể gây ra điện giật.

**Lực phản hồi và các cảnh báo liên quan**

- ▶ **Lực phản hồi là một lực tác động đột ngột lên đĩa quay bị ép hoặc mài mòn.** Việc ép hoặc mài mòn làm cho đĩa quay dừng gấp sau đó gây ra tác động mạnh vào thiết bị cắt **không kiểm soát được** hướng lên về phía người vận hành. Ví dụ?, nếu đĩa mài bị mài mòn hoặc ép bởi phôi gia công, mép của đĩa mài tiếp xúc với điểm ép có thể tạo rãnh bề mặt của vật liệu làm cho đĩa mài nhô ra hoặc va đập. Các đĩa mài cũng có thể bị vỡ trong các trường hợp này. Lực phản hồi là do việc sử dụng sai và/hoặc quy trình hoặc điều kiện vận hành sai dụng cụ điện cầm tay và có thể phòng tránh bằng cách áp dụng các biện pháp phòng ngừa phù hợp được nêu dưới đây.
- ▶ **Giữ chặt dụng cụ điện cầm tay và giữ cho cơ thể và tay của bạn chắc chắn cho phép bạn chịu được các lực phản hồi.** Người vận hành có thể kiểm soát được các lực phản hồi hướng lên nếu áp dụng các biện pháp phòng ngừa phù hợp.
- ▶ **Không được đứng song song với đĩa quay.** Nếu máy sinh ra lực phản hồi, nó sẽ đẩy thiết bị cắt hướng lên về phía người vận hành.
- ▶ **Không được lắp thêm lưới cửa gỗ dạng lưới cửa xích, đĩa kim cương hình quạt có khe hở ngoài lớn hơn 10 mm hoặc lưới cửa có răng.** Các lưới như vậy có thể tạo lực phản hồi thường xuyên và làm mất kiểm soát.



- ▶ **Không được “làm kẹt” đĩa hoặc tỳ đè quá lực. Không được cố gắng cắt sâu quá mức.** Việc tạo ứng suất quá mức lên đĩa làm tăng tải và dễ gây ra xoắn hoặc kẹt đĩa trong khi cắt và có thể tạo lực phản hồi hoặc làm vỡ đĩa.
- ▶ **Khi đĩa bị kẹt hoặc khi dừng cắt vì lý do nào đó, hãy tắt nguồn dụng cụ điện cầm tay và giữ cố định thiết bị cắt tới khi đĩa đã dừng quay hẳn. Tuyệt đối không cố gắng tháo đĩa ra trong khi đĩa vẫn đang quay nếu không lực phản hồi có thể xảy ra.** Kiểm tra và có biện pháp khắc phục để loại bỏ nguyên nhân kẹt đĩa.
- ▶ **Không được khởi động lại thao tác cắt khi bị kẹt trong phôi. Để đĩa quay đạt tốc độ cực đại và cẩn thận khởi động lại đường cắt.** Đĩa có thể bị kẹt, nảy lên hoặc tác động trở lại nếu khởi động lại dụng cụ điện kẹt trong phôi.
- ▶ **Sử dụng phôi quá kích cỡ bất kỳ để giảm thiểu nguy cơ ép đĩa và lực phản hồi.** Các phôi lớn thường võng xuống dưới trọng lượng riêng của chúng. Cần phải đặt các tấm đỡ phía dưới phôi gần đường cắt và gần cạnh của phôi về cả hai phía của đĩa cắt.

#### Các cảnh báo phụ thêm

- ▶ **Bảo quản an toàn cho máy khi không sử dụng. Nơi bảo quản máy phải khô ráo và có thể khóa lại được.** Điều này phòng tránh cho máy không bị hư hại khi lưu kho, và ngăn người chưa được học cách sử dụng vận hành.
- ▶ **Luôn luôn kẹp chặt vật gia công. Không nên cắt vật gia công không kẹp được vì quá nhỏ.** Nếu không, khoảng cách giữa tay bạn với đĩa cắt đang quay là quá nhỏ.
- ▶ **Không bao giờ được sử dụng máy có dây dẫn bị hỏng. Không được chạm vào dây dẫn bị hỏng và kéo phích cắm điện nguồn ra trong lúc vận hành mà dây dẫn bị hỏng.** Dây dẫn bị hỏng làm tăng nguy cơ bị điện giật.
- ▶ **Kiểm tra dây cáp dẫn điện thường xuyên và sử dụng sửa chữa dây cáp bị hỏng chỉ được thông qua một đại lý ủy quyền dịch vụ khách hàng dụng cụ điện Bosch. Thay dây cáp nối dài bị hư hỏng.** Điều này sẽ đảm bảo cho sự an toàn của dụng cụ điện được giữ nguyên.
- ▶ **Luôn luôn sử dụng chấn bảo vệ lưỡi.** Chấn bảo vệ lưỡi bảo vệ người sử dụng không bị các mảnh vỡ của đĩa cắt văng trúng hay vô tình chạm vào đĩa cắt.
- ▶ **Không bao giờ rời khỏi máy trước khi máy đã hoàn toàn dừng hẳn.** Các dụng cụ cắt vẫn đang còn chạy có thể gây thương tích.

## Các Biểu Tượng

Các biểu tượng sau đây có khả năng diễn đạt ý nghĩa về cách sử dụng dụng cụ điện cầm tay của bạn. Xin vui lòng ghi nhận các biểu tượng và ý nghĩa của chúng. Sự hiểu đúng các biểu tượng sẽ giúp bạn sử dụng máy một cách tối và an toàn hơn.

#### Biểu Tượng Ý Nghĩa



- ▶ **Để hai tay tránh xa khỏi phạm vi cắt khi máy đang hoạt động.** Có nguy cơ tổn thương khi tiếp chạm vào lưỡi cắt.



- ▶ **Hãy mang dụng cụ bảo vệ tai.** Để tai trần tiếp xúc với tiếng ồn có thể làm mất thính giác.



- ▶ **Hãy mang kính bảo hộ.**



- ▶ **Hãy mang mặt nạ chống bụi.**



- ▶ **Hãy mang găng tay bảo hộ.**
- ▶ Đĩa cắt sắc cạnh và có thể trở nên rất nóng trong lúc hoạt động.

## Mô Tả Sản Phẩm và Đặc Tính Kỹ Thuật



**Đọc kỹ mọi cảnh báo an toàn và mọi hướng dẫn.** Không tuân thủ mọi cảnh báo và hướng dẫn được liệt kê dưới đây có thể bị điện giật, gây cháy và/hay bị thương tật nghiêm trọng.

### Dành sử dụng cho

Dụng cụ điện này được sử dụng làm dụng cụ độc lập sử dụng đĩa cắt, mặt cắt dọc và mặt cắt ngang với hành trình cắt thẳng và vát đến 45° vào các vật liệu kim loại mà không dùng nước. Không cho phép sử dụng các đĩa cắt kim cương.

### Biểu trưng của sản phẩm

Sự đánh số các biểu trưng của sản phẩm là để tham khảo hình minh họa của máy trên trang hình ảnh.

- 1 Nút nhà khóa của công tắc Tắt/Mở
- 2 Công tắc Tắt/Mở
- 3 Tay Nắm

**50 | Tiếng Việt**

- 4 Chấn đàn hồi bảo vệ lưỡi
- 5 Khóa trục
- 6 Đĩa cắt
- 7 Cờ chặn góc
- 8 Trục kẹp vận
- 9 Chốt nhả nhanh
- 10 Tai hồng trục kẹp vận
- 11 Lỗ lắp bắt
- 12 Chìa vận sáu cạnh (8 mm)
- 13 Chân đế khuôn bao
- 14 Vấu kẹp
- 15 Cờ chặn phôi cho phôi gia công có tiết diện tối đa 40 x 40 mm
- 16 Vít khóa cờ chỉnh đặt góc
- 17 Khóa an toàn dùng khi di chuyển
- 18 Tay máy
- 19 Tay nắm dùng khi di chuyển
- 20 Chấn bảo vệ lưỡi cắt
- 21 Chấn che tia lửa
- 22 Trục máy
- 23 Bích kẹp
- 24 Vòng đệm
- 25 Đai ốc đầu sáu cạnh

**Phụ tùng được trình bày hay mô tả không phải là một phần của tiêu chuẩn hàng hóa được giao kèm theo sản phẩm. Bạn có thể tham khảo tổng thể các loại phụ tùng, phụ kiện trong chương trình phụ tùng của chúng tôi.**

**Thông số kỹ thuật**

Máy cắt đĩa	GCO 14-24 J	
Mã số máy	3 601 M37 2..	
Công suất vào danh định	W	2400
Tốc độ không tải	v/p	3800
Khởi động êm		●
Trọng lượng theo Qui trình EPTA-Procedure 01:2014 (chuẩn EPTA 01:2014)	kg	18,0
Cấp độ bảo vệ		□/II
Kích thước của vật gia công chấp nhận được (tối đa/tối thiểu) xem trang 52.		
Các giá trị đã cho có hiệu lực cho điện thế danh định [U] 230 V. Đối với điện thế thấp hơn và các loại máy dành riêng cho một số quốc gia, các giá trị này có thể thay đổi.		

**Kích thước thích hợp cho đĩa cắt**

Đường kính đĩa cắt, tối đa	mm	355
Chiều rộng đĩa cắt, tối đa	mm	3
Lỗ lắp lưỡi cắt	mm	25,4

**Sự lắp vào****Các món được giao**

Lấy tất cả các bộ phận được giao kèm theo máy ra khỏi bao bì một cách cẩn thận.

Lấy tất cả các gói tài liệu hướng dẫn và các phụ kiện giao kèm ra khỏi máy.

Trước khi cho máy hoạt động lần đầu tiên, hãy kiểm tra các bộ phận được liệt kê dưới đây xem có được giao đầy đủ:

- Máy cắt đĩa có gắn đĩa cắt
- Khóa đầu lục giác **12**

**Lắp bắt cố định hay linh hoạt**

► **Để bảo đảm sự điều khiển được an toàn, máy phải được lắp bắt lên trên một bề mặt phẳng và vững chắc (vd. bàn thợ) trước khi sử dụng.**

**Lắp Đặt vào Bề Mặt Gia Công (xem hình A)**

- Bắt chắc dụng cụ điện bằng loại vít lắp bắt thích hợp lên trên bề mặt gia công. Các lỗ khoan **11** dùng cho mục đích này.

**Lắp Linh Hoạt (không khuyến khích!)**

Trong trường hợp ngoại lệ, khi không thể gắn chắc dụng cụ điện vào bảng bàn kẹp, bạn có thể tạm thời đặt chân trụ của chân đế khuôn bao **13** lên trên một bề mặt thích hợp (vd. bàn thợ, mặt nền bằng phẳng v.v.) mà không cần bắt chặt bằng bu lông.

**Thay Dụng Cụ (xem hình B1–B2)**

- **Chỉ ứng dụng khóa trục 5 khi trục máy 22 đã ngừng quay.** Nếu không, có thể làm hư hỏng máy.
- **Không được chạm vào lưỡi cắt ngay sau khi xong việc, hãy để cho lưỡi cắt nguội lại trước đã.** Lưỡi cắt trở nên rất nóng trong thời gian hoạt động.

Chỉ sử dụng đĩa cắt đáp ứng được với số liệu đặc tính kỹ thuật đã cung cấp trong phần hướng dẫn sử dụng và đã được kiểm tra đúng với tiêu chuẩn EN 12413 và được đóng nhãn thích hợp.

Hãy sử dụng các lớp xen kẽ được giao kèm với đĩa cắt.

Xếp các đĩa cắt không sử dụng tới vào trong một dụng cụ có nắp đậy hay trong bao bì chứa nó trước kia. cất giữ đĩa cắt bằng cách đặt nằm.

**Tháo Đĩa Cắt Ra**

- Đặt máy ở vào tư thế hoạt động. (xem “Tháo Khóa Máy (Vị Trí Hoạt Động)”, trang 51)
- Lật chấn đàn hồi bảo vệ lưỡi **4** lên hết trên.
- Vận vít đầu lục giác **25** bằng khóa đầu lục giác **12** và đồng thời ấn khóa hãm trục **5**, cho đến khi khớp vào.

- Giữ nguyên nhấn nút khóa trục và vặn đai ốc đầu sáu cạnh **25** ra.
- Lấy vòng đệm **24** và bích kẹp **23** ra.
- Lấy đĩa cắt **6** ra.

#### Lắp Đĩa Cắt

- Lắp đĩa cắt mới lên trên trục máy **22** cách sao cho bề mặt nhãn hiệu hướng ngược lại với tay máy.
- Gắn bích kẹp **23**, vòng đệm **24** và vít đầu lục giác **25** vào.  
Ấn khóa hãm trục **5** cho đến khi vào khớp và hãy vặn chặt vít đầu sáu cạnh **25** theo chiều kim đồng hồ. (Lực siết vào khoảng 18–20 Nm)
- Thả từ từ chắn dần hồi bảo vệ lưới **4** xuống cho đến khi che kín hết đĩa cắt.
- Bảo đảm chắn dần hồi bảo vệ lưới **4** hoạt động đúng cách.

Sau khi lắp đĩa cắt vào, và trước khi mở máy, kiểm tra lại xem đĩa cắt có lắp vào đúng cách, và có thể quay tự do được hay không.

- Bảo đảm rằng đĩa cắt không bị cọ sượt vào chắn dần hồi bảo vệ lưới **4**, chắn bảo vệ lưới cắt **20** hay chạm vào các bộ phận khác.
- Cho máy hoạt động khoảng 30 giây.  
Giả sử như máy có hiện tượng rung đáng kể xảy ra, tắt máy ngay lập tức; tháo đĩa cắt ra và lắp đĩa cắt vào lại lần nữa.

## Vận Hành

### Khóa An Toàn Dừng Khi Di Chuyển (xem hình C)

Khóa an toàn dừng khi di chuyển **17** tạo khả năng xoay trở dụng cụ điện dễ dàng hơn khi di chuyển máy đến các địa điểm làm việc khác nhau.

#### Tháo Khóa Máy (Vị Trí Hoạt Động)

- Dùng tay nắm gập tay máy **3** xuống một chút để giải phóng lực đè lên trên khóa an toàn dừng khi di chuyển **17**.
- Kéo khóa an toàn dừng khi di chuyển **17** hoàn toàn rời ra ngoài.
- Gập tay máy từ từ lên phía trên.

**Ghi Chú:** Khi thao tác, hãy lưu ý đến khóa an toàn dừng khi di chuyển không bị nhấn vào trong. Nếu không, không thể hạ tay máy xuống thấp để có cỡ dầy yêu cầu.

#### Bảo Vệ An Toàn Máy (Vị Trí Di Chuyển)

- Hạ thấp tay máy xuống cho đến khi khóa an toàn dừng khi di chuyển **17** có thể nhấn hết vào bên trong.

Để biết thêm thông tin về việc vận chuyển, xin xem trang 52.

### Điều Chỉnh Góc Cắt (xem hình D)

Có thể chỉnh đặt góc vuông trong phạm vi từ 0° đến 45°.

Có thể nhận ra thước đo góc vuông dùng thường xuyên trên chặn định góc **7** với các vạch chia thích hợp. 0° và 45° vị trí được đặt tương ứng ở cỡ chặn cuối.

- Nới lỏng các đinh ốc hãm **16** của cỡ chặn góc bằng khóa đầu lục giác đi kèm **12** (8 mm).
- Điều chỉnh góc muốn có và siết chặt cả hai vít khóa **16** lại như trước.

### Chuyển Vị Trí Cỡ Định Góc (xem hình D và E)

Khi cắt một vật gia công có chiều rộng hơn 140 mm, cỡ định góc **7** có thể chuyển vị trí về phía sau.

- Vặn các đinh ốc hãm ra **16** bằng khóa đầu lục giác đi kèm **12** (8 mm).
- Di chuyển cỡ định góc **7** về phía sau chừng một hay hai lỗ đến khoảng hở muốn có.
- Điều chỉnh góc muốn có và siết chặt cả hai vít khóa **16** lại như trước.

### Kẹp Cố Định Vật Gia Công

Để đảm bảo an toàn lao động tốt nhất, vật gia công phải luôn luôn được kẹp chặt.

Không được cắt vật gia công không kẹp được vì quá nhỏ.

#### Kẹp Cố Định Vật Gia Công (xem hình E)

- Đặt vật gia công tựa vào chắn định góc **7**.
- Vặn trục kẹp vận **8** áp sát vào vật gia công và kẹp chặt vật gia công lại bằng tai hồng của trục kẹp vận **10**.

#### Cố định phôi gia công (tiết diện tối đa 40 x 40 mm) lên cỡ chặn phôi (xem hình F-H)

- Điều chỉnh **7** êke góc tiêu chuẩn 0° tại cỡ chặn hình ke.
- Bạn hãy nhẹ nhàng nâng cỡ chặn phôi gia công **15** lên và đẩy cỡ chặn này qua rãnh trong cỡ chặn hình ke.
- Treo móc của cỡ chặn phôi vào lỗ của vấu kẹp **14**.
- Đặt phôi gia công vào cỡ chặn phôi **15**.
- Vặn trục kẹp vận **8** áp sát vào vật gia công và kẹp chặt vật gia công lại bằng tai hồng của trục kẹp vận **10**.

- ▶ **Hãy đảm bảo rằng đã nới chặt cỡ chặn phôi với vấu kẹp và không bị lật, khi bạn đặt phôi gia công.**
- ▶ **Đảm bảo rằng độ cao của phôi gia công đạt tối đa 40 mm trên cỡ chặn phôi. Không thể kẹp chặt phôi gia công cao hơn mức tối đa.**
- ▶ **Đảm bảo rằng sẽ đẩy ngược cỡ chặn phôi hoàn toàn vào trong cỡ chặn hình ke sau khi sử dụng. Móc bị nhô ra làm phôi gia công không thể được kẹp chặt.**

**52 | Tiếng Việt****Giải Phóng Vật Gia Công**

- Nới lỏng tai hồng trục kẹp vặn **10** ra.
- Lật đứng chốt nhả nhanh **9** và kéo trục kẹp vặn **8** ra khỏi vật gia công.

**Bắt Đầu Vận Hành**

Bụi từ các vật liệu như có chứa lớp phủ chì, khoáng chất (sỏi đá) hay kim loại có thể nguy hại cho sức khỏe con người. Tiếp xúc hay hít vào có thể gây cho người vận hành máy hay đứng gần bị dị ứng và/hay dẫn đến việc nhiễm độc đường hô hấp.

Một số loại bụi cụ thể được xem là nguy hiểm, đặc biệt có liên quan đến các hợp kim như kẽm, nhôm hoặc crom. Có thể chỉ nên để cho thợ chuyên môn gia công các loại vật liệu có chứa amiăng.

- Tạo không khí thông thoáng nơi làm việc.
- Khuyến nghị nên mang mặt nạ phòng độc có bộ lọc cấp P2.

Tuân thủ các qui định của quốc gia bạn liên quan đến loại vật liệu gia công.

Lưỡi cắt có thể bị cản trở do bụi, mỡ cắt hay các mảnh vụn của vật gia công nằm trong khe của chân đế khuôn bao **13**.

- Tắt máy và kéo phích cắm điện nguồn ra khỏi ổ cắm.
  - Đợi cho đến khi đĩa cắt ngừng quay hoàn toàn.
  - Kéo nghiêng máy ra sau để cho các mảnh nhỏ của vật gia công có thể rơi ra ngoài khoảng trống được thiết kế cho mục đích này.
- Nếu cần thiết, hãy sử dụng một dụng cụ thích hợp để gỡ bỏ tất cả các mảnh vụn của vật gia công ra.

**Chuyển mạch Tắt và Mở (xem hình I)**

- Để **vận hành** máy, trước hết nhấn nút khóa **1**. Sau đó nhấn công tắc chuyển mạch Tắt/Mở **2** vào và giữ nhấn.

**Ghi Chú:** Vì lý do an toàn, công tắc chuyển mạch Tắt/Mở **2** không thể khóa tự chạy được, mà phải giữ nhấn trong suốt quá trình vận hành.

- Để **tắt máy**, thả công tắc chuyển mạch Tắt/Mở **2** ra.

**Khởi động Êm**


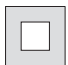
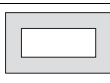

Tính năng của sự khởi động điện tử êm hạn chế được lực vận khi khởi động máy và làm tăng tuổi thọ của động cơ.

**Hướng Dẫn Sử Dụng****Hướng Dẫn Tổng Quát Trong Gia Công Cắt**

- ▶ **Không được chạm vào lưỡi cắt ngay sau khi xong việc, hãy để cho lưỡi cắt nguội lại trước đã.** Lưỡi cắt trở nên rất nóng trong thời gian hoạt động.
- ▶ **Bảo đảm cho chắn che tia lửa **21** được lắp vào đúng cách.** Tia lửa bắn ra xảy ra khi cắt kim loại.

**Kích Thước Vật gia Công Cho Phép**

Kích cỡ vật gia công **Tối đa**:

Hình Dạng Vật Gia Công	Góc Vuông	
	0°	45°
	129 Ø	128 Ø
	119 x 119	110 x 110
	100 x 196	107 x 115
	130 x 130	115 x 115

**Kích cỡ vật gia công **Tối thiểu****

(= tất cả các vật gia công có thể kẹp chặt được nhờ trục kẹp vặn **8**): Chiều dài 80 mm

**Công suất cắt, tối đa (0°/0°):** 129 mm

**Cắt Kim Loại**

- Nếu cần hãy thiết lập góc chéo mong muốn.
- Kẹp vật gia công thật chặt phù hợp với kích thước của nó.
- Bật công tắc cho máy hoạt động.
- Cầm nơi tay nắm **3** để kéo tay máy xuống từ từ.
- Cắt vật gia công bằng lực gia tải đồng đều.
- Tắt máy và đợi cho đến khi đĩa cắt đã hoàn toàn dừng quay hẳn.
- Nhấc tay máy lên từ từ.

**Vận Chuyển**

- Luôn luôn xách dụng cụ điện bằng tay nắm dành cho việc vận chuyển **19**.

▶ **Khi vận chuyển dụng cụ điện, chỉ sử dụng các thiết bị dùng vận chuyển và không bao giờ sử dụng thiết bị bảo vệ để mang hay xách.**

**Bảo Dưỡng và Bảo Quản****Bảo Dưỡng Và Làm Sạch**

- ▶ **Trước khi tiến hành bất cứ việc gì trên máy, kéo phích cắm điện nguồn ra.**
- ▶ **Trong điều kiện giới hạn tuyệt đối, luôn luôn sử dụng máy hút bụi trong khả năng có thể. Thổi sạch các khe thông gió thường xuyên và lắp đặt thiết bị ngắt mạch tự động (PRCD).** Khi gia công kim loại, các loại mỡ bôi trơn dẫn điện có thể lọt vào trong dụng cụ điện. Toàn bộ sự cách điện của dụng cụ điện có thể bị mất tác dụng.

Nếu như cần phải thay dây dẫn điện thì công việc này phải do hãng Bosch, hay một đại lý được Bosch

ủy nhiệm thực hiện để tránh gặp sự nguy hiểm do mất an toàn.

Chắn bảo vệ lưới đàn hồi phải luôn luôn có thể chuyển động tự do, co thắt tự động. Vì vậy, luôn luôn giữ cho phạm vi chung quanh chắn bảo vệ lưới đàn hồi được sạch.

## Phụ kiện

### Mã số máy

#### Các đĩa cắt cho vật liệu kim loại

Đĩa cắt 355 x 25,4 mm	2 608 600 208
Đĩa cắt 355 x 25,4 mm	2 608 600 223

## Dịch Vụ Sau Khi Bán và Dịch Vụ Ứng Dụng

Bộ phận phục vụ hàng sau khi bán của chúng tôi sẽ trả lời các câu hỏi liên quan đến việc bảo trì và sửa chữa các sản phẩm cũng như các phụ tùng thay thế của bạn. Hình ảnh chi tiết và thông tin phụ tùng thay thế có thể tìm hiểu theo địa chỉ dưới đây:

### [www.bosch-pt.com](http://www.bosch-pt.com)

Bộ phận dịch vụ ứng dụng Bosch sẽ hân hạnh trả lời các câu hỏi liên quan đến các sản phẩm của chúng tôi và linh kiện của chúng.

Trong tất cả các phản hồi và đơn đặt phụ tùng, xin vui lòng luôn luôn nhập số hàng hóa 10 chữ số theo nhãn của hàng hóa.

### Việt Nam

CN Cty TNHH Bosch Vietnam tại TP. Hồ Chí Minh  
Tầng 10, Tòa nhà 194 Golden  
473 Điện Biên Phủ  
Phường 25, Quận Bình Thạnh  
Tp. Hồ Chí Minh  
Tel.: (08) 6258 3690  
Fax: (08) 6258 3692  
Hotline: (08) 6250 8555  
[www.bosch-pt.com.vn](http://www.bosch-pt.com.vn)

### Campuchia

Công ty TNHH Robert Bosch (Campuchia)  
Đơn nguyên 8BC, GT Tower, Tầng 08,  
Đường 169, Tiệp Khắc Blvd, Sangkat Veal Vong,  
Khan 7 Makara, Phnom Penh  
VAT TIN : 100 169 511  
Tel.: +855 23 900 685  
Tel.: +855 23 900 660  
[www.bosch.com.kh](http://www.bosch.com.kh)

## Thải bỏ

Máy, linh kiện và bao bì phải được phân loại để tái chế theo hướng thân thiện với môi trường.



Không được thải bỏ dụng cụ điện vào chung với rác sinh hoạt!

Được quyền thay đổi nội dung mà không phải thông báo trước.