

Robert Bosch Power Tools GmbH
70538 Stuttgart
GERMANY

www.bosch-pt.com

1 609 92A 4M3 (2018.09) T / 43



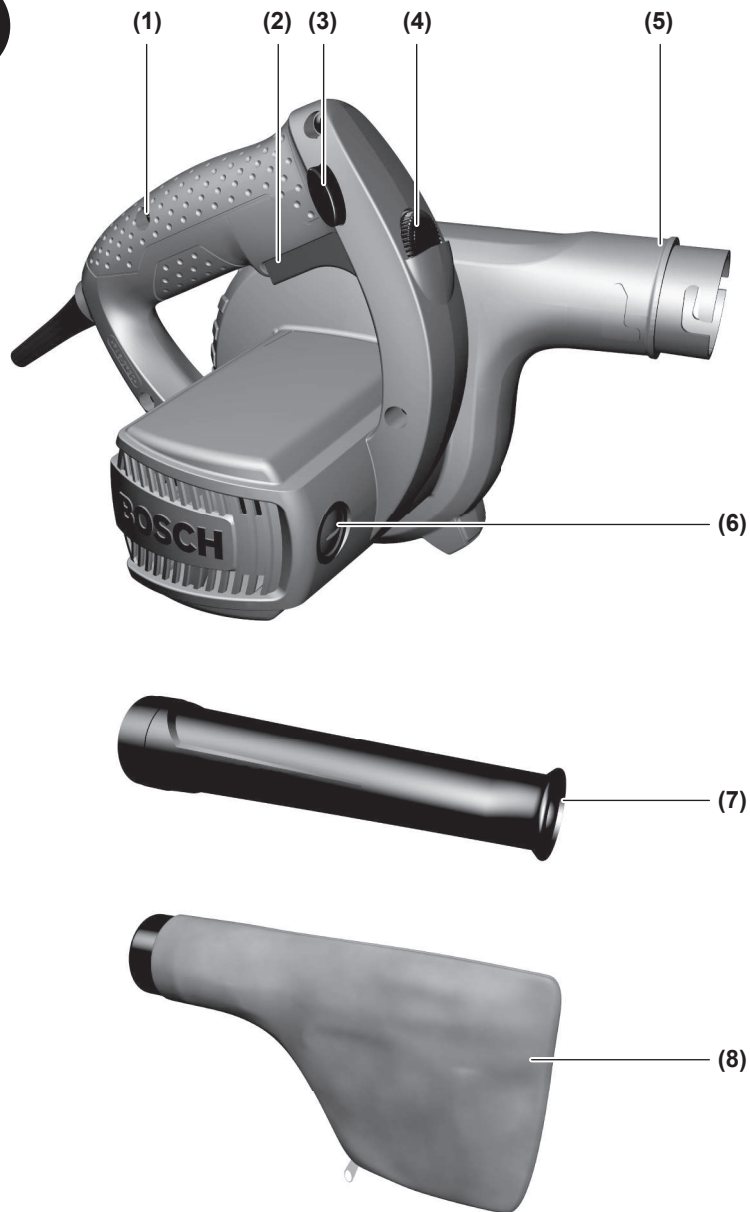
1 609 92A 4M3

GBL 82-270 Professional **HEAVY DUTY**



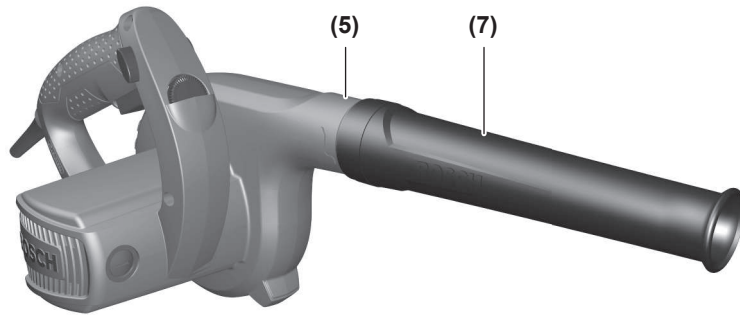
- en Original instructions
- es Manual original
- pt Manual de instruções original
- ja オリジナル取扱説明書
- zh 正本使用说明书
- zh 原始使用說明書
- ko 사용 설명서 원본
- th หนังสือคู่มือการใช้งานฉบับต้นแบบ
- id Petunjuk-Petunjuk untuk Penggunaan Original
- vi Bản gốc hướng dẫn sử dụng
- ar دليل التشغيل الأصلي

English	Page	5
Español	Página	10
Português do Brasil	Página	15
日本語	ページ	18
中文	页	21
繁體中文	頁	24
한국어	페이지	26
ไทย	หน้า	29
Bahasa Indonesia	Halaman	32
Tiếng Việt	Trang	35
عربي	الصفحة	39

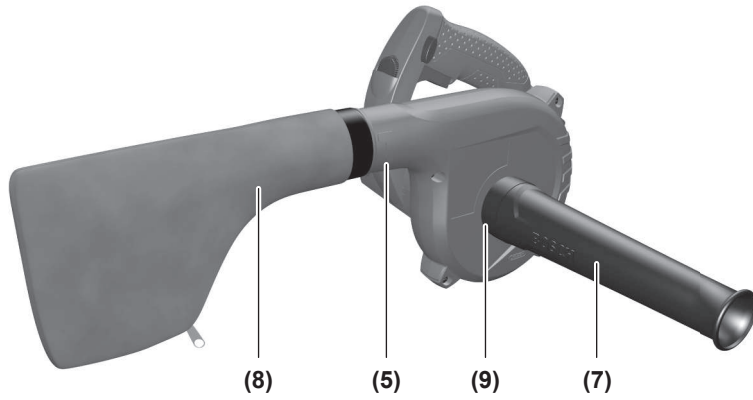
**GBL 82-270**

4 |

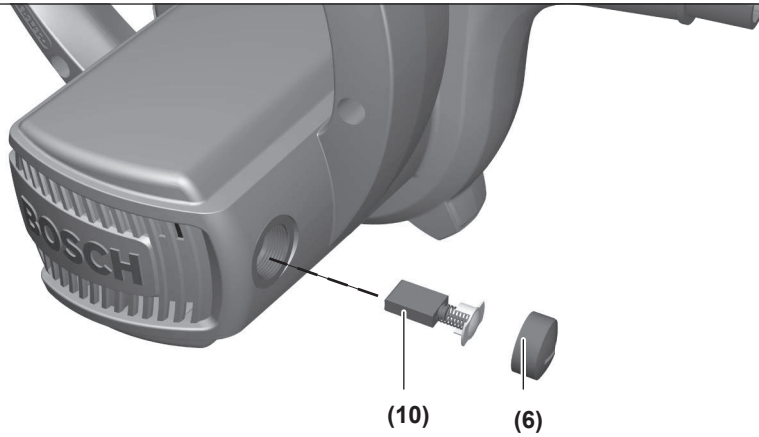
A



B



C



English

Safety instructions

General Power Tool Safety Warnings

⚠ WARNING Read all safety warnings and all instructions. Failure to follow the warnings and instructions may result in electric shock, fire and/or serious injury.

Save all warnings and instructions for future reference.

The term "power tool" in the warnings refers to your mains-operated (corded) power tool or battery-operated (cordless) power tool.

Work area safety

- ▶ **Keep work area clean and well lit.** Cluttered or dark areas invite accidents.
- ▶ **Do not operate power tools in explosive atmospheres, such as in the presence of flammable liquids, gases or dust.** Power tools create sparks which may ignite the dust or fumes.
- ▶ **Keep children and bystanders away while operating a power tool.** Distractions can cause you to lose control.

Electrical safety

- ▶ **Power tool plugs must match the outlet. Never modify the plug in any way. Do not use any adapter plugs with earthed (grounded) power tools.** Unmodified plugs and matching outlets will reduce risk of electric shock.
- ▶ **Avoid body contact with earthed or grounded surfaces, such as pipes, radiators, ranges and refrigerators.** There is an increased risk of electric shock if your body is earthed or grounded.
- ▶ **Do not expose power tools to rain or wet conditions.** Water entering a power tool will increase the risk of electric shock.
- ▶ **Do not abuse the cord. Never use the cord for carrying, pulling or unplugging the power tool. Keep cord away from heat, oil, sharp edges or moving parts.** Damaged or entangled cords increase the risk of electric shock.
- ▶ **When operating a power tool outdoors, use an extension cord suitable for outdoor use.** Use of a cord suitable for outdoor use reduces the risk of electric shock.
- ▶ **If operating a power tool in a damp location is unavoidable, use a residual current device (RCD) protected supply.** Use of an RCD reduces the risk of electric shock.

Personal safety

- ▶ **Stay alert, watch what you are doing and use common sense when operating a power tool. Do not use a power tool while you are tired or under the influence of drugs, alcohol or medication.** A moment of inattention while operating power tools may result in serious personal injury.

- ▶ **Use personal protective equipment. Always wear eye protection.** Protective equipment such as dust mask, non-skid safety shoes, hard hat, or hearing protection used for appropriate conditions will reduce personal injuries.
- ▶ **Prevent unintentional starting. Ensure the switch is in the off-position before connecting to power source and/or battery pack, picking up or carrying the tool.** Carrying power tools with your finger on the switch or engaging power tools that have the switch on invites accidents.
- ▶ **Remove any adjusting key or wrench before turning the power tool on.** A wrench or a key left attached to a rotating part of the power tool may result in personal injury.
- ▶ **Do not overreach. Keep proper footing and balance at all times.** This enables better control of the power tool in unexpected situations.
- ▶ **Dress properly. Do not wear loose clothing or jewellery. Keep your hair, clothing and gloves away from moving parts.** Loose clothes, jewellery or long hair can be caught in moving parts.
- ▶ **If devices are provided for the connection of dust extraction and collection facilities, ensure these are connected and properly used.** Use of dust collection can reduce dust-related hazards.

Power tool use and care

- ▶ **Do not force the power tool. Use the correct power tool for your application.** The correct power tool will do the job better and safer at the rate for which it was designed.
- ▶ **Do not use the power tool if the switch does not turn it on and off.** Any power tool that cannot be controlled with the switch is dangerous and must be repaired.
- ▶ **Disconnect the plug from the power source and/or the battery pack from the power tool before making any adjustments, changing accessories, or storing power tools.** Such preventive safety measures reduce the risk of starting the power tool accidentally.
- ▶ **Store idle power tools out of the reach of children and do not allow persons unfamiliar with the power tool or these instructions to operate the power tool.** Power tools are dangerous in the hands of untrained users.
- ▶ **Maintain power tools. Check for misalignment or binding of moving parts, breakage of parts and any other condition that may affect the power tool's operation. If damaged, have the power tool repaired before use.** Many accidents are caused by poorly maintained power tools.
- ▶ **Keep cutting tools sharp and clean.** Properly maintained cutting tools with sharp cutting edges are less likely to bind and are easier to control.
- ▶ **Use the power tool, accessories and tool bits etc. in accordance with these instructions, taking into account the working conditions and the work to be performed.**

formed. Use of the power tool for operations different from those intended could result in a hazardous situation.

Service

- ▶ **Have your power tool serviced by a qualified repair person using only identical replacement parts.** This will ensure that the safety of the power tool is maintained.

Safety instructions for blower

- ▶ **Do not vacuum or blow any harmful substances, e.g. beech or oak wood dust, rock dust or asbestos.** These substances are considered carcinogenic.
- ▶ **Do not vacuum or blow any liquids.** The penetration of liquids increases the risk of an electric shock.
- ▶ **Do not expose power tools to rain or wet conditions.** Water entering a power tool will increase the risk of electric shock.
- ▶ **If operating a power tool in a damp location is unavoidable, use a residual current device (RCD) protected supply.** Use of an RCD reduces the risk of electric shock.
- ▶ **Never use the power tool if the cable is damaged. Do not touch the damaged cable and pull out the mains plug if the cable is damaged while working.** Damaged cables increase the risk of an electric shock.
- ▶ **Do not crush the cable or run the device over it. Do not pull on the power cable to pull the plug out of the socket or to move the power tool.** Damaged cables increase the risk of an electric shock.
- ▶ **Pull the plug out of the socket before adjusting the tool settings, changing accessories, or storing the power tool.** Such preventive safety measures reduce the risk of starting the power tool accidentally.
- ▶ **Ensure that the workplace is well ventilated.**
- ▶ **Do not let children use the power tool unsupervised.** Children are at risk of injuring themselves this way.
- ▶ **Wear additional personal protective equipment such as protective glasses and a protective mask.** Wearing personal protection equipment appropriate to the conditions reduces your exposure to hazardous substances.



Products sold in GB only:

Your product is fitted with an BS 1363/A approved electric plug with internal fuse (ASTA approved to BS 1362).

If the plug is not suitable for your socket outlets, it should be cut off and an appropriate plug fitted in its place by an authorised customer service agent. The replacement plug should have the same fuse rating as the original plug.

The severed plug must be disposed of to avoid a possible shock hazard and should never be inserted into a mains socket elsewhere.

Product Description and Specifications



Read all the safety and general instructions.

Failure to observe the safety and general instructions may result in electric shock, fire and/or serious injury.

Please observe the illustrations at the beginning of this operating manual.

Intended Use

The power tool is intended for vacuuming and blowing substances that are not hazardous to health.

The power tool is **not** suitable for vacuuming and blowing flammable materials, metal chips and sharp objects, such as screws or nails.

Product features

The numbering of the product features refers to the representation of the vacuum cleaner on the graphic pages.

- (1) Handle
- (2) On/off switch
- (3) Lock-on button for on/off switch
- (4) Thumbwheel for adjusting airflow
- (5) Air outlet
- (6) Caps for carbon brushes
- (7) Nozzle
- (8) Dust bag
- (9) Air inlet
- (10) Carbon brushes

Technical Data

Blower	GBL 82-270	
Article number		3 601 J80 4..
Rated power input	W	820
Air volume	m ³ /min	4.5
Air pressure	mbar	0–72
Weight according to EPTA-Procedure 01:2014	kg	1.8
Protection class		□ / II

The specifications apply to a rated voltage [U] of 230 V. These specifications may vary at different voltages and in country-specific models.

Noise/Vibration Information

Noise emission values determined according to

EN 60745-1.

Typically the A-weighted noise level of the power tool is:

Sound pressure level **89** dB(A); sound power level

100 dB(A). Uncertainty K=3 dB.

Wear hearing protection

Total vibration values a_h (triax vector sum) and uncertainty K determined according to **EN 60745-1**: $a_h < 2.5 \text{ m/s}^2$, $K = 1.5 \text{ m/s}^2$.

The vibration level given in these instructions has been measured in accordance with a standardised measuring procedure and may be used to compare power tools. It can also be used for a preliminary estimation of exposure to vibration.

The stated vibration level applies to the main applications of the power tool. However, if the power tool is used for different applications, with different application tools or poorly maintained, the vibration level may differ. This can significantly increase the exposure to vibration over the total working period.

To estimate the exposure to vibration accurately, the times when the tool is switched off or when it is running but not actually being used should also be taken into account. This can significantly reduce the exposure to vibration over the total working period.

Implement additional safety measures to protect the operator from the effects of vibration, such as servicing the power tool and application tools, keeping the hands warm, and organising workflows correctly.

Operation

- ▶ **Pull the plug out of the socket before carrying out any work on the power tool.**
- ▶ **Products that are only sold in AUS and NZ:** Use a residual current device (RCD) with a nominal residual current of 30 mA or less.

Operating modes

Blowing (see figure A)

For the blowing operating mode, attach the nozzle (7) tightly onto the air outlet (5) as indicated by the arrow markings.

Vacuuming (see figure B)

For the vacuuming operating mode, attach the nozzle (7) tightly onto the air inlet (9) as indicated by the arrow markings.

Also ensure that the dust bag (8) is always attached to the air outlet (5).

Starting Operation

- ▶ **Pay attention to the mains voltage. The voltage of the power source must match the voltage specified on the rating plate of the power tool. Power tools marked with 230 V can also be operated with 220 V.**

Switching on/off

To **switch on** the power tool, press the on/off switch (2).

To **lock** the on/off switch (2), press and hold it while also pushing the lock-on button for the on/off switch (3).

To **switch off** the power tool, release the on/off switch (2). If the on/off switch (2) is locked, press the switch first and then release it.

Regulating airflow

Turn the thumbwheel (4) to set the required airflow:

- **Clockwise:** Increase the airflow
- **Anticlockwise:** Decrease the airflow

Working Advice

Ensure that the air inlet (9) cannot suck in any impurities while blowing is taking place.

Never vacuum without a dust bag.

Do not vacuum any sharp-edged or hot materials such as glass splinters, hot ashes or metal chips.

Empty the dust bag regularly when vacuuming. Observe environmental regulations when disposing of waste.

Maintenance and Servicing

Maintenance and cleaning

- ▶ **Pull the plug out of the socket before carrying out any work on the power tool.**
- ▶ **To ensure safe and efficient operation, always keep the power tool and the ventilation slots clean.**

In order to avoid safety hazards, if the power supply cord needs to be replaced, this must be done by Bosch or by a customer service centre that is authorised to repair Bosch power tools.

Replacing the carbon brushes (see figure C)

Check the length of the carbon brushes around every 2–3 months and replace both carbon brushes if required.

Never replace only a single carbon brush.

Note: Only use carbon brushes supplied by Bosch and intended specifically for your product.

- Unscrew the caps (6) using a suitable screwdriver.
- Replace the spring-loaded carbon brushes (10) and screw the caps back on.

The criteria for replacing the carbon brushes: A dashed or dotted line is present on one large side of the carbon brush. If one of the two carbon brushes has been worn down to this line, both carbon brushes should be replaced immediately in order to protect the commutator from any potential damage.

After-sales Service and Advice on Using Products

Our after-sales service can answer questions concerning product maintenance and repair, as well as spare parts. You can find exploded drawings and information on spare parts at: www.bosch-pt.com

The Bosch product use advice team will be happy to help you with any questions about our products and their accessories.

www.powertool-portal.de, the internet portal for tradespeople and DIY enthusiasts.

In all correspondence and spare parts orders, please always include the 10-digit article number given on the type plate of the product.

Cambodia

Robert Bosch (Cambodia) Co., Ltd
 Unit 8BC, GT Tower, 08th Floor, Street 169,
 Czechoslovakia Blvd, Sangkat Veal Vong
 Khan 7 Makara, Phnom Penh
 VAT TIN: 100 169 511
 Tel.: +855 23 900 685
 Tel.: +855 23 900 660
 www.bosch.com.kh

People's Republic of China**China Mainland**

Bosch Power Tool (China) Co. Ltd.
 Bosch Service Center
 567, Bin Kang Road
 Bin Kang District
 Hangzhou, Zhejiang Province
 China 310052
 Tel.: (0571) 8887 5566 / 5588
 Fax: (0571) 8887 6688 x 5566# / 5588#
 E-mail: bsc.hz@cn.bosch.com
 www.bosch-pt.com.cn

HK and Macau Special Administrative Regions

Robert Bosch Co. Ltd.
 21st Floor, 625 King's Road
 North Point, Hong Kong
 Customer Service Hotline: +852 2101 0235
 Fax: +852 2590 9762
 E-mail: info@hk.bosch.com
 www.bosch-pt.com.hk

India

Bosch Service Center
 69, Habibullah Road, (next to PSBB School), T. Nagar
 Chennai-600077
 Phone: (044) 64561816
 Bosch Service Center Rishyamook
 85A, Panchkuin Road
 New Delhi-110001
 Phone: (011) 43166190
 Bosch Service Center 79,
 Crystal Bldg., Dr. Annie Besant Road, Worli
 Mumbai-400018
 Phone: (022) 39569936 / (022) 39569959 /
 (022) 39569967 / (022) 24952071

Indonesia

PT Robert Bosch
 Palma Tower 10th Floor
 Jalan RA Kartini II-S Kaveling 6
 Pondok Pinang, Kebayoran Lama
 Jakarta Selatan 12310
 Tel.: (21) 3005-5800
 www.bosch-pt.co.id

Malaysia

Robert Bosch Sdn. Bhd.(220975-V) PT/SMY
 No. 8A, Jalan 13/6
 46200 Petaling Jaya
 Selangor
 Tel.: (03) 79663194

Toll-Free: 1800 880188
 Fax: (03) 79583838
 E-mail: kiathoe.chong@my.bosch.com
 www.bosch-pt.com.my

Pakistan

Robert Bosch Middle East FZE – Pakistan Liaison Office
 2nd Floor Plaza # 10, CCA Block, DHA Phase 5
 Lahore, 54810
 Phone: +92(303)4444311
 E-mail: Faisal.Khan@bosch.com

Philippines

Robert Bosch, Inc.
 28th Floor Fort Legend Towers,
 3rd Avenue corner 31st Street,
 Fort Bonifacio, Global City,
 1634 Taguig City
 Tel.: (632) 8703871
 Fax: (632) 8703870
 www.bosch-pt.com.ph

Singapore

Powerwell Service Centre Ptd Ltd
 Bosch Authorised Service Centre (Power Tools)
 4012 Ang Mo Kio Ave 10, #01-02 TECHplace
 Singapore 569628
 Tel.: 6452 1770
 Fax: 6452 1760
 E-mail: ask@powerwellsc.com
 www.powerwellsc.com
 www.bosch-pt.com.sg

Thailand

Robert Bosch Ltd.
 Liberty Square Building
 No. 287, 11 Floor
 Silom Road, Bangrak
 Bangkok 10500
 Tel.: 02 6393111
 Fax: 02 2384783
 Robert Bosch Ltd., P. O. Box 2054
 Bangkok 10501
 www.bosch.co.th
 Bosch Service – Training Centre
 La Salle Tower Ground Floor Unit No.2
 10/11 La Salle Moo 16
 Srinakharin Road
 Bangkaew, Bang Plee
 Samutprakarn 10540
 Tel.: 02 7587555
 Fax: 02 7587525

Vietnam

Branch of Bosch Vietnam Co., Ltd in HCMC
 14th floor, Deutsches Haus, 33 Le Duan
 Ben Nghe Ward, District 1, Ho Chi Minh City
 Tel.: (028) 6258 3690
 Fax: (028) 6258 3692 - 6258 3694
 Hotline: (028) 6250 8555
 E-mail: tuvankhachhang-pt@vn.bosch.com
 www.bosch-pt.com.vn

Armenia, Azerbaijan, Georgia, Kyrgyzstan, Mongolia, Tajikistan, Turkmenistan, Uzbekistan

TOO "Robert Bosch" Power Tools, After Sales Service
Rayimbek Ave., 169/1
050050, Almaty, Kazakhstan
Service e-mail: service.pt.ka@bosch.com
Official website: www.bosch.com, www.bosch-pt.com

Bahrain

Hatem Al Juffali Technical Equipment Establishment.
Kingdom of Bahrain, Setra Highway, Al Aker Area
Phone: +966126971777-311
Fax: +97317704257
E-mail: h.berjas@eajb.com.sa

Egypt

Unimar
20 Markaz kadmat
El tagmoa EL Aoul – New Cairo
Phone: +20 2224 76091-95
Phone: +20 2224 78072-73
Fax: +20222478075
E-mail: adelzaki@unimaregypt.com

Iran

Robert Bosch Iran
3rd Floor, No 3, Maadiran Building
Aftab St., Khodami St., Vanak Sq.
Tehran 1994834571
Phone: +9821 86092057

Iraq

Sahba Technology Group
Al Muthana airport road
Baghdad
Phone: +9647901906953
Phone Dubai: +97143973851
E-mail: bosch@sahbatechnology.com

Jordan

Roots Arabia – Jordan
Nasser Bin Jameel street, Building 37 Al Rabiah
11194 Amman
Phone: +962 6 5545778
E-mail: bosch@rootsjordan.com

Kuwait

Al Qurain Automotive Trading Company
Shuwaikh Industrial Area, Block 1, Plot 16, Street 3rd
P.O. Box 164 – Safat 13002
Phone: 24810844
Fax: 24810879
E-mail: josephkr@aaalmutawa.com

Lebanon

Tehini Hana & Co. S.A.R.L.
P.O. Box 90-449
Jdeideh
Dora-Beirut
Phone: +9611255211
E-mail: service-pt@tehini-hana.com

Libya

El Naser for Workshop Tools
Swanee Road, Alfalah Area

Tripoli

Phone: +218 21 4811184

Oman

Malatan Trading & Contracting LLC
P.O. Box 131
Ruwi, 112 Sultanate of Oman
Phone: +968 99886794
E-mail: malatanpowertools@malatan.net

Qatar

International Construction Solutions W L L
P. O. Box 51,
Doha Phone: +974 40065458
Fax: +974 4453 8585
E-mail: csd@icsdoha.com

Saudi Arabia

Juffali Technical Equipment Co. (JTECO)
Kilo 14, Madinah Road, Al Bawadi District
Jeddah 21431
Phone: +966 2 6672222 Ext. 1528
Fax: +966 2 6676308
E-mail: roland@eajb.com.sa

Syria

Dallal Establishment for Power Tools
P.O. Box 1030
Aleppo
Phone: +963212116083
E-mail: rita.dallal@hotmail.com

United Arab Emirates

Central Motors & Equipment LLC, P.O. Box 1984
Al-Wahda Street – Old Sana Building
Sharjah
Phone: +971 6 593 2777
Fax: +971 6 533 2269
E-mail: powertools@centralmotors.ae

Yemen

Abualrejal Trading Corporation
Sana'a Zubairy St. Front to new Parliament Building
Phone: +967-1-202010
Fax: +967-1-279029
E-mail: tech-tools@abualrejal.com

Ethiopia

Forever plc
Kebele 2,754, BP 4806,
Addis Ababa
Phone: +251 111 560 600
E-mail: foreverplc@ethionet.et

Ghana

C. WOERMANN LTD.
Nsawam Road/Avenor Junction, P.O. Box 1779
Accra Phone: +233 302 225 141

Kenya

Robert Bosch East Africa Ltd
Mpaka Road P.O. Box 856
00606 Nairobi

Nigeria

Robert Bosch Nigeria Ltd.
52-54 Isaac John Street P.O. Box
GRA Ikeja - Lagos

Republic of South Africa

Customer service

Hotline: (011) 6519600

Gauteng - BSC Service Centre

35 Roper Street, New Centre
Johannesburg

Tel.: (011) 4939375

Fax: (011) 4930126

E-mail: bsctools@icon.co.za

KZN - BSC Service Centre

Unit E, Almar Centre

143 Crompton Street

Pinetown

Tel.: (031) 7012120

Fax: (031) 7012446

E-mail: bsc.dur@za.bosch.com

Western Cape - BSC Service Centre

Democracy Way, Prosperity Park

Milnerton

Tel.: (021) 5512577

Fax: (021) 5513223

E-mail: bsc@zsd.co.za

Bosch Headquarters

Midrand, Gauteng

Tel.: (011) 6519600

Fax: (011) 6519880

E-mail: rbsa-hq.pts@za.bosch.com

Tanzania

Diesel & Autoelectric Service Ltd.
117 Nyerere Rd., P.O. Box 70839
Vingunguti 12109, Dar Es Salaam
Phone: +255 222 861 793/794

Australia, New Zealand and Pacific Islands

Robert Bosch Australia Pty. Ltd.

Power Tools

Locked Bag 66

Clayton South VIC 3169

Customer Contact Center

Inside Australia:

Phone: (01300) 307044

Fax: (01300) 307045

Inside New Zealand:

Phone: (0800) 543353

Fax: (0800) 428570

Outside AU and NZ:

Phone: +61 3 95415555

www.bosch-pt.com.au

www.bosch-pt.co.nz

Disposal

The power tool, accessories and packaging should be recycled in an environmentally friendly manner.



Do not dispose of power tools along with household waste.

Español

Indicaciones de seguridad

Advertencias de peligro generales para herramientas eléctricas

ADVERTENCIA Lea íntegramente estas advertencias de peligro e instrucciones. En caso de no atenderse a las advertencias de peligro e instrucciones siguientes, ello puede ocasionar una descarga eléctrica, un incendio y/o lesión grave.

Guardar todas las advertencias de peligro e instrucciones para futuras consultas.

El término "herramienta eléctrica" empleado en las siguientes advertencias de peligro se refiere a herramientas eléctricas de conexión a la red (con cable de red) y a herramientas eléctricas accionadas por acumulador (sin cable de red).

Seguridad en el área de trabajo

► Mantenga el área de trabajo limpia y bien iluminada.

Las áreas desordenadas u oscuras pueden provocar accidentes.

► **No utilice herramientas eléctricas en un entorno con peligro de explosión, en el que se encuentren combustibles líquidos, gases o material en polvo.** Las herramientas eléctricas producen chispas que pueden llegar a inflamar los materiales en polvo o vapores.

► **Mantenga alejados a los niños y otras personas de su puesto de trabajo al emplear la herramienta eléctrica.** Una distracción le puede hacer perder el control sobre la herramienta eléctrica.

Seguridad eléctrica

► **El enchufe de la herramienta eléctrica debe corresponder a la toma de corriente utilizada. No es admisible modificar el enchufe en forma alguna. No emplear adaptadores en herramientas eléctricas dotadas con una toma de tierra.** Los enchufes sin modificar adecuados a las respectivas tomas de corriente reducen el riesgo de una descarga eléctrica.

► **Evite que su cuerpo toque partes conectadas a tierra como tuberías, radiadores, cocinas y refrigeradores.** El riesgo a quedar expuesto a una sacudida eléctrica es mayor si su cuerpo tiene contacto con tierra.

► **No exponga la herramienta eléctrica a la lluvia o a condiciones húmedas.** Existe el peligro de recibir una descarga eléctrica si penetran líquidos en la herramienta eléctrica.

► **No abuse del cable de red. No utilice el cable de red para transportar la herramienta eléctrica, ni tire de él**

para sacar el enchufe de la toma de corriente. Mantenga el cable de red alejado del calor, aceite, esquinas cortantes o piezas móviles. Los cables de red dañados o enredados pueden provocar una descarga eléctrica.

- ▶ **Al trabajar con la herramienta eléctrica a la intemperie utilice solamente cables de prolongación apropiados para su uso al aire libre.** La utilización de un cable de prolongación adecuado para su uso al aire libre reduce el riesgo de una descarga eléctrica.
- ▶ **Si fuese imprescindible utilizar la herramienta eléctrica en un entorno húmedo, es necesario conectarla a través de un dispositivo de corriente residual (RCD) de seguridad (fusible diferencial).** La aplicación de un dispositivo de corriente residual (RCD) reduce el riesgo a exponerse a una descarga eléctrica.

Seguridad de personas

- ▶ **Esté atento a lo que hace y emplee sentido común cuando utilice una herramienta eléctrica. No utilice la herramienta eléctrica si estuviese cansado, ni tampoco después de haber consumido drogas, alcohol o medicamentos.** Un momento de inatención durante el uso de la herramienta eléctrica puede provocarle serias lesiones.
- ▶ **Utilice un equipo de protección personal. Utilice siempre una protección para los ojos.** El riesgo a lesionarse se reduce considerablemente si, dependiendo del tipo y la aplicación de la herramienta eléctrica empleada, se utiliza un equipo de protección adecuado como una mascarilla antipolvo, zapatos de seguridad con suela antideslizante, casco o protectores auditivos.
- ▶ **Evite una puesta en marcha involuntaria. Asegurarse de que la herramienta eléctrica esté desconectada antes de conectarla a la toma de corriente y/o al montar el acumulador, al recogerla o al transportarla.** Si transporta la herramienta eléctrica sujetándola por el interruptor de conexión/desconexión o si alimenta la herramienta eléctrica estando ésta conectada, ello puede dar lugar a un accidente.
- ▶ **Retire las herramientas de ajuste o llaves fijas antes de conectar la herramienta eléctrica.** Una herramienta de ajuste o llave fija colocada en una pieza rotante puede producir lesiones al poner en funcionamiento la herramienta eléctrica.
- ▶ **Evite posturas arriesgadas. Trabaje sobre una base firme y mantenga el equilibrio en todo momento.** Ello le permitirá controlar mejor la herramienta eléctrica en caso de presentarse una situación inesperada.
- ▶ **Lleve puesta una vestimenta de trabajo adecuada. No utilice vestimenta amplia ni joyas. Mantenga su pelo, vestimenta y guantes alejados de las piezas móviles.** La vestimenta suelta, las joyas o los pelos largos pueden ser atrapados por las piezas en movimiento.
- ▶ **Si se proporcionan dispositivos para la conexión de las instalaciones de extracción y recogida de polvo, asegúrese que éstos estén conectados y que sean utiliza-**

dos correctamente. El empleo de estos equipos reduce los riesgos derivados del polvo.

Uso y trato cuidadoso de herramientas eléctricas

- ▶ **No sobrecargue la herramienta eléctrica. Utilice la herramienta eléctrica adecuada para su aplicación.** Con la herramienta eléctrica adecuada podrá trabajar mejor y más seguro dentro del margen de potencia diseñado.
- ▶ **No utilice la herramienta eléctrica si el interruptor está defectuoso.** Las herramientas eléctricas que no se puedan conectar o desconectar son peligrosas y deben repararse.
- ▶ **Saque el enchufe de la red y/o desmonte el acumulador antes de realizar un ajuste en la herramienta eléctrica, cambiar de accesorio o al guardar la herramienta eléctrica.** Esta medida preventiva reduce el riesgo a conectar accidentalmente la herramienta eléctrica.
- ▶ **Guarde las herramientas eléctricas fuera del alcance de los niños. No permita la utilización de la herramienta eléctrica a aquellas personas que no estén familiarizadas con su uso o que no hayan leído estas instrucciones.** Las herramientas eléctricas utilizadas por personas inexpertas son peligrosas.
- ▶ **Mantenga las herramientas eléctricas. Controle la alineación de las piezas móviles, rotura de piezas y cualquier otra condición que pudiera afectar el funcionamiento de la herramienta eléctrica. En caso de daño, la herramienta eléctrica debe repararse antes de su uso.** Muchos de los accidentes se deben a herramientas eléctricas con un mantenimiento deficiente.
- ▶ **Mantenga los útiles limpios y afilados.** Las herramientas de corte adecuadamente mantenidas con filos afilados se dejan guiar y controlar mejor.
- ▶ **Utilice la herramienta eléctrica, los accesorios, los útiles, etc. de acuerdo a estas instrucciones, considerando en ello las condiciones de trabajo y la tarea a realizar.** El uso de herramientas eléctricas para trabajos diferentes de aquellos para los que han sido concebidas puede resultar peligroso.

Servicio

- ▶ **Únicamente deje reparar su herramienta eléctrica por un experto cualificado, empleando exclusivamente piezas de repuesto originales.** Solamente así se mantiene la seguridad de la herramienta eléctrica.

Instrucciones de seguridad para ventiladores

- ▶ **No aspire ni sople ninguna sustancia perjudicial para la salud, p. ej. polvo de haya o de roble, polvo de piedra, amianto.** Estas sustancias son cancerígenas.
- ▶ **No aspire ni sople ningún líquido.** La penetración de líquidos aumenta el riesgo de una descarga eléctrica.
- ▶ **No exponga la herramienta eléctrica a la lluvia o a condiciones húmedas.** Existe el peligro de recibir una descarga eléctrica si penetran líquidos en la herramienta eléctrica.

- ▶ **Si fuese imprescindible utilizar la herramienta eléctrica en un entorno húmedo, es necesario conectarla a través de un dispositivo de corriente residual (RCD) de seguridad (fusible diferencial).** La aplicación de un dispositivo de corriente residual (RCD) reduce el riesgo de exponerse a una descarga eléctrica.
- ▶ **No utilice la herramienta eléctrica si el cable está dañado. No toque un cable dañado y desconecte el enchufe de la red, si el cable se daña durante el trabajo.** Un cable dañado comporta un mayor riesgo de electrocución.
- ▶ **No aplaste ni pase por sobre el cable. No tire del cable para sacar el enchufe de la caja de enchufe o para mover la herramienta eléctrica.** Un cable dañado comporta un mayor riesgo de electrocución.
- ▶ **Retire el enchufe de la caja de enchufe antes de realizar ajustes en el aparato, cambiar accesorios o guardar la herramienta eléctrica.** Esta medida preventiva reduce el riesgo a conectar accidentalmente la herramienta eléctrica.
- ▶ **Observe que esté bien ventilado el puesto de trabajo.**
- ▶ **No deje que niños utilicen la herramienta eléctrica sin vigilancia.** Los niños pueden lesionarse.
- ▶ **Use equipo adicional de protección personal como gafas protectoras y máscara respiratoria.** La utilización de un equipo de protección adecuado reduce la exposición a sustancias peligrosas.



- ▶ El enchufe macho de conexión, debe ser conectado solamente a un enchufe hembra de las mismas características técnicas del enchufe macho en materia.

Descripción del producto y servicio



Lea íntegramente estas indicaciones de seguridad e instrucciones. Las faltas de observación de las indicaciones de seguridad y de las instrucciones pueden causar descargas eléctricas, incendios y/o lesiones graves.

Por favor, observe las ilustraciones en la parte inicial de las instrucciones de servicio.

Utilización reglamentaria

La herramienta eléctrica es apropiada para aspirar y soplar sustancias que no sean nocivas para la salud.

La herramienta eléctrica **no** es apropiada para aspirar y soplar materiales inflamables, virutas de metal y objetos afilados, como tornillos o clavos.

Componentes principales

La numeración de los componentes está referida a la representación del aspirador en las páginas ilustradas.

- (1) Empuñadura
- (2) Interruptor de conexión/desconexión
- (3) Tecla de enclavamiento del interruptor de conexión/desconexión
- (4) Rueda de ajuste del caudal de aire
- (5) Salida de aire
- (6) Tapas de escobillas
- (7) Boquilla
- (8) Saco para polvo
- (9) Entrada de aire
- (10) Escobillas

Datos técnicos

Ventilador	GBL 82-270	
Número de artículo		3 601 J80 4..
Potencia absorbida nominal	W	820
Volumen de aire	m ³ /min	4,5
Presión de aire	mbar	0-72
Peso según EPTA-Procedure 01:2014	kg	1,8
Clase de protección		□ / II

Las indicaciones son válidas para una tensión nominal [U] de 230 V. Estas indicaciones pueden variar con tensiones divergentes y en ejecuciones específicas del país.

Información sobre ruidos y vibraciones

Valores de emisión de ruido determinados según **EN 60745-1**.

El nivel de ruidos valorado con A de la herramienta eléctrica asciende típicamente a: nivel de presión acústica **89 dB(A)**; nivel de potencia acústica **100 dB(A)**. Inseguridad K=3 dB.

¡Llevar una protección auditiva!

Valores totales de vibración a_h (suma vectorial de tres direcciones) e inseguridad K determinada según **EN 60745-1**: $a_h < 2,5 \text{ m/s}^2$, $K = 1,5 \text{ m/s}^2$.

El nivel de vibraciones indicado en estas instrucciones ha sido determinado según un procedimiento de medición normalizado y puede servir como base de comparación con otras herramientas eléctricas. También es adecuado para estimar provisionalmente la sollicitación experimentada por las vibraciones.

El nivel de vibraciones indicado ha sido determinado para las aplicaciones principales de la herramienta eléctrica. Por ello, el nivel de vibraciones puede ser diferente si la herramienta eléctrica se utiliza para otras aplicaciones, con útiles diferentes, o si el mantenimiento de la misma fuese deficiente. Ello puede suponer un aumento drástico de la sollicitación por vibraciones durante el tiempo total de trabajo.

Para determinar con exactitud la sollicitación experimentada por las vibraciones, es necesario considerar también aque-

llos tiempos en los que el aparato esté desconectado, o bien, esté en funcionamiento, pero sin ser utilizado realmente. Ello puede suponer una disminución drástica de la sollicitación por vibraciones durante el tiempo total de trabajo.

Fije unas medidas de seguridad adicionales para proteger al usuario de los efectos por vibraciones, como por ejemplo: Mantenimiento de la herramienta eléctrica y de los útiles, conservar calientes las manos, organización de las secuencias de trabajo.

Operación

- ▶ **Antes de cualquier manipulación en la herramienta eléctrica, sacar el enchufe de red de la toma de corriente.**

Modos de operación

Soplar (ver figura A)

Para el modo de operación soplar, inserte la boquilla (7) según la marca de flecha firmemente sobre la salida de aire (5).

Aspirar (ver figura B)

Para el modo de operación aspirar, inserte la boquilla (7) según la marca de flecha firmemente sobre la entrada de aire (9).

Inserte siempre adicionalmente la bolsa colector de polvo (8) sobre la salida de aire (5).

Puesta en marcha

- ▶ **¡Observe la tensión de alimentación! La tensión de alimentación deberá coincidir con las indicaciones en la placa de características de la herramienta eléctrica. Las herramientas eléctricas marcadas con 230 V pueden funcionar también a 220 V.**

Conexión/desconexión

Para **conectar** la herramienta eléctrica, presione el interruptor de conexión/desconexión (2).

Para la **retención** del interruptor de conexión/desconexión (2), manténgalo oprimido y presione adicionalmente la tecla de retención para el interruptor de conexión/desconexión (3).

Para **desconectar** la herramienta eléctrica, suelte el interruptor de conexión/desconexión (2). En caso de que el interruptor de conexión/desconexión (2) esté bloqueado, presiónelo primero y suéltelo a continuación.

Regulación del caudal de aire

Gire la rueda de ajuste (4), para ajustar el caudal de aire deseado:

- **en sentido horario:** aumento de caudal de aire
- **en contra del sentido horario:** reducción de caudal de aire

Instrucciones para la operación

Asegúrese de que la entrada de aire (9) no pueda absorber ninguna impureza durante el soplado.

Jamás aspire sin tener montado el saco colector de polvo. No aspire materiales de cantos vivos o calientes, como fragmentos de vidrio, cenizas calientes o virutas de metal.

Si utiliza el aparato para aspirar, vacíe el saco colector de polvo con regularidad. Al desechar el material aspirado tenga en cuenta las directrices para protección del medio ambiente.

Mantenimiento y servicio

Mantenimiento y limpieza

- ▶ **Antes de cualquier manipulación en la herramienta eléctrica, sacar el enchufe de red de la toma de corriente.**
- ▶ **Mantenga limpia la herramienta eléctrica y las rejillas de refrigeración para trabajar con eficacia y seguridad.**

La sustitución de un cable de conexión deteriorado deberá ser realizada por Bosch o por un servicio técnico autorizado para herramientas eléctricas Bosch con el fin de garantizar la seguridad del aparato.

Sustitución de las escobillas de carbón (ver figura C)

Verifique la longitud de las escobillas de carbón aprox. cada 2–3 meses, y sustituya las dos escobillas de carbón si procede.

¡Jamás sustituya solamente una escobilla!

Indicación: Únicamente emplee unas escobillas de carbón adquiridas a través de Bosch para este producto.

- Suelte las caperuzas (6) con un destornillador adecuado.
- Reemplace las escobillas de carbón (10) que se encuentran bajo presión de muelle y atornille de nuevo las caperuzas.

Criterio para la sustitución de las escobillas de carbón:

En una de las superficies laterales grandes de la escobilla de carbón se puede reconocer una línea segmentada o punteada. Si una de las escobillas se hubiese desgastado hasta esta línea, deberán sustituirse de inmediato ambas escobillas para proteger el colector de posibles daños.

Servicio técnico y atención al cliente

El servicio técnico le asesorará en las consultas que pueda Ud. tener sobre la reparación y mantenimiento de su producto, así como sobre piezas de recambio. Los dibujos de despiece e informaciones sobre las piezas de recambio las podrá obtener también en el internet bajo: www.bosch-pt.com

El equipo de consultoría de aplicaciones de Bosch gustosamente le ayuda en el caso de preguntas sobre nuestros productos y sus accesorios.

Para cualquier consulta o pedido de piezas de repuesto es imprescindible indicar el nº de artículo de 10 dígitos que figura en la placa de características del producto.

España

Robert Bosch España S.L.U.

Departamento de ventas Herramientas Eléctricas

C/Hermanos García Noblejas, 19
28037 Madrid
Para efectuar su pedido online de recambios o pedir la recogida para la reparación de su máquina, entre en la página www.herramientasbosch.net.
Tel. Asesoramiento al cliente: 902 531 553
Fax: 902 531554

Argentina

Robert Bosch Argentina S.A.
Calle Blanco Encalada 250 – San Isidro
Código Postal B1642AMQ
Ciudad Autónoma de Buenos Aires
Tel.: (54) 11 5296 5200
E-Mail: herramientas.bosch@ar.bosch.com
www.argentina.bosch.com.ar

Chile

Robert Bosch S.A.
Calle El Cacique
0258 Providencia – Santiago de Chile
Buzón Postal 7750000
Tel.: (56) 02 782 0200
www.bosch.cl

Colombia

Robert Bosch Ltda
Av. Cra 45, # 108A-50, piso 7
Bogotá D.C.
Tel.: (57) 1 658 5010
www.colombia.bosch.com.co

Ecuador

Robert Bosch Sociedad Anónima
Av. Rodrigo Chávez Gonzalez Parque Empresarial Colón
Edif. Colomcorp Piso 1 Local 101-102,
Guayaquil
Tel.: (593) 4 220 4000
E-mail: ventas@bosch.com.ec
www.bosch.ec

México

Robert Bosch S. de R.L. de C.V.
Calle Robert Bosch No. 405
C.P. 50071 Zona Industrial, Toluca - Estado de México
Tel.: (52) 55 528430-62
Tel.: 800 6271286
www.bosch-herramientas.com.mx

Panamá

Robert Bosch Panamá, S.A.
Punta Pacifica, Av 8va Sur y Calle 56 Est Ed Paitilla Of. Tower
Ciudad de Panamá
Tel.: (507) 301-0960
www.boschherramientas.com.pa

Perú

Robert Bosch S.A.C.
Av. Primavera 781 Piso 2, Urbanización Chacarilla San Borja
Lima
Tel.: (51) 1 706 1100
www.bosch.com.pe

Venezuela

Robert Bosch S.A.
Calle Vargas con Buen Pastor, Edif. Alba, P-1, Boleita Norte,
Caracas 1071
Tel.: (58) 212 207-4511
www.boschherramientas.com.ve

Bolivia

Hansa
Calle Yanacocha esp. Mercado # 1004
Casilla 10800. La Paz.
Tel. Hansa: (591) 2 240 7777
Tel. Bosch: 800 10 0014
www.hansaindustria.com.bo

Costa Rica

Cofersa
Pozos de Santa Ana, de Hules Técnicos 200 metros este
San José
Tel.: (506) 2205 2525
www.bosch.co.cr

El Salvador

Proyesa
Dirección: Calle Gerardo Barrios y 27 Av. Sur, # 1507
San Salvador
Tel.: (503) 2559 9999
www.bosch.com.sv

Guatemala

Edisa
8a. Calle 6-60, Zona 4
Ciudad de Guatemala, 01004
Tel.: (502) 2494 0000
www.bosch.com.gt

Honduras

Indufesa
Dir: Av. Juan Pablo li Cont.a Casa Presidencial
Tegucigalpa, Francisco Morazán
Tel.: (504) 0 239 9953
www.bosch.hn

Nicaragua

MADINISA
Km 3 Carretera Norte, Edificio Armando Guido 3c. abajo
Managua
Tel.: (505) 2249 8152
Tel.: (505) 2249 8153
www.bosch.nom.ni

Paraguay

Chispa S.A.
Carios 1988E/P. José Rivera y Bernardino Gorostiaga
Casilla De Correo 1106.
Asuncion
Tel.: (595) 2155 3315
www.bosch.com.py

Republica Dominicana

MDH SRL
Entre Privada y Caonabo lado Norte
Santo Domingo, Distrito Nacional
Tel.: (1) 534-3020
www.bosch.do

Uruguay

Robert Bosch Uruguay S.A.
Av. Italia 7519, local A 004 (esq. Barradas)
Código Postal 11.500
Montevideo
Tel.: (598) 2604 7010
E-mail: herramientas.bosch@uy.bosch.com
www.bosch.uy.com

Eliminación

Recomendamos que las herramientas eléctricas, accesorios y embalajes sean sometidos a un proceso de recuperación que respete el medio ambiente.



¡No arroje las herramientas eléctricas a la basura!

Português do Brasil

Indicações de segurança

Avisos de segurança para ferramentas em geral



Leia todos os avisos de segurança e todas as instruções. Falha em

seguir todos os avisos e instruções listados abaixo pode resultar em choque elétrico, fogo e/ou em ferimento sério.

Guarde todos os avisos e instruções para futura consulta.

O termo "ferramenta elétrica" em todos os avisos listados abaixo referem-se a ferramenta alimentada através de seu cordão de alimentação ou a ferramenta operada a bateria (sem cordão).

Segurança da área de trabalho

- ▶ **Mantenha a área de trabalho limpa e iluminada.** As áreas desorganizadas e escuras são um convite aos acidentes.
- ▶ **Não opere ferramentas em atmosferas explosivas, como na presença de líquidos inflamáveis gases ou poeira.** As ferramentas criam faíscas que podem inflamar a poeira ou os vapores.
- ▶ **Mantenha crianças e visitantes afastados ao operar uma ferramenta.** As distrações podem fazer você perder o controle.

Segurança elétrica

- ▶ **Os plugues da ferramenta devem ser compatíveis com as tomadas. Nunca modifique o plugue. Não use plugues de adaptador com ferramentas aterradas.** Os plugues sem modificações aliados a utilização de tomadas compatíveis reduzem o risco de choque elétrico.
- ▶ **Evite o contato do corpo com superfícies ligadas à terra ou aterradas tais como tubulações, radiadores, fornos e refrigeradores.** Há um aumento no risco de

choque elétrico se seu corpo for ligado à terra ou aterramento.

- ▶ **Não exponha a ferramenta à chuva ou às condições úmidas.** A água entrando na ferramenta aumenta o risco de choque elétrico.
- ▶ **Não force o cordão de alimentação. Nunca use o cordão de alimentação para carregar, puxar ou para desconectar a ferramenta da tomada. Mantenha o cabo elétrico longe do calor, óleo, bordas afiadas ou de partes em movimento.** Os cabos danificados ou emaranhados aumentam o risco de choque elétrico.
- ▶ **Ao operar uma ferramenta ao ar livre, use um cabo de extensão apropriado para o uso ao ar livre.** O uso de um cabo de extensão apropriado ao ar livre reduz o risco de choque elétrico.
- ▶ **Se não for possível evitar o funcionamento da ferramenta elétrica em áreas úmidas, utilizar uma alimentação protegida por um dispositivo de corrente diferencial residual (DR).** O uso de um DR reduz o risco de um choque elétrico.

Segurança pessoal

- ▶ **Fique atento, olhe o que está fazendo e use o bom senso ao operar uma ferramenta. Não use a ferramenta quando estiver cansado ou sob a influência de drogas, álcool ou de medicamentos.** Um momento de desatenção enquanto opera uma ferramenta pode resultar em graves ferimento pessoal.
- ▶ **Use equipamento de segurança. Sempre use óculos de segurança.** O equipamento de segurança tal como a máscara de contra a poeira, sapatos de segurança antiderrapantes, capacete de segurança ou protetor auricular, utilizados em condições apropriadas reduzirão os riscos de ferimentos pessoais.
- ▶ **Evite a partida não intencional. Assegure-se de que o interruptor está na posição de desligado antes de conectar o plugue na tomada e/ou bateria, pegar ou carregar a ferramenta.** Carregar as ferramentas com o seu dedo no interruptor ou conectar as ferramentas que apresentam interruptor na posição "ligado", são convites a acidentes.
- ▶ **Remova qualquer chave de ajuste antes de ligar a ferramenta.** Uma chave de boca ou de ajuste conectada a uma parte rotativa da ferramenta pode resultar em ferimento pessoal.
- ▶ **Não force além do limite. Mantenha o apoio e o equilíbrio adequado toda vez que utilizar a ferramenta.** Isto permite melhor controle da ferramenta em situações inesperadas.
- ▶ **Vista-se apropriadamente. Não use roupas demasiadamente largas nem joias. Mantenha seus cabelos, roupas e luvas longe das peças móveis.** A roupa folgada, joias ou cabelos longos podem ser presos pelas partes em movimento.
- ▶ **Se os dispositivos são fornecidos com conexão para extração e coleta de pó, assegure-se de que estes estão conectados e utilizados corretamente.** O uso

destes dispositivos pode reduzir os riscos relacionados a poeiras.

Uso e cuidados da ferramenta

- ▶ **Não force a ferramenta. Use a ferramenta correta para a sua aplicação.** A ferramenta elétrica correta faz o trabalho melhor e mais seguro se utilizada dentro daquilo para a qual foi projetada.
- ▶ **Não use a ferramenta se o interruptor não ligar e desligar.** Qualquer ferramenta que não pode ser controlada com o interruptor é perigosa e deve ser reparada.
- ▶ **Desconecte o plugue da tomada e/ou remova a bateria da ferramenta antes de fazer qualquer tipo de ajuste, mudança de acessórios ou armazenamento de ferramenta.** Tais medidas de segurança preventivas reduzem o risco de se ligar a ferramenta acidentalmente.
- ▶ **Guarde as ferramentas fora do alcance das crianças e não permita que pessoas não familiarizadas com a ferramenta ou com estas instruções operem a ferramenta.** As ferramentas são perigosas nas mãos de usuários não treinados.
- ▶ **Manutenção das ferramentas. Cheque o desalinhamento ou coesão das partes móveis, rachaduras e qualquer outra condição que possa afetar a operação da ferramenta. Se danificada, a ferramenta deve ser reparada antes do uso.** Muitos acidentes são causados pela inadequada manutenção das ferramentas.
- ▶ **Mantenha as ferramentas de corte afiadas e limpas.** A manutenção apropriada das ferramentas de corte com lâminas afiadas tornam estas menos prováveis ao emperramento e são mais fáceis de controlar.
- ▶ **Use a ferramenta, acessórios, suas partes etc. de acordo com instruções e na maneira designada para o tipo particular da ferramenta levando em consideração as condições de trabalho a ser desempenhado.** O uso da ferramenta em operações diferentes das designadas podem resultar em uma situação de risco.

Reparos

- ▶ **Tenha sua ferramenta reparada por um agente de reparos qualificado e que use somente peças originais.** Isto irá assegurar que a segurança da ferramenta seja mantida.

Instruções de segurança para o soprador

- ▶ **Não aspire nem sobre substâncias prejudiciais à saúde, como p. ex., pó de madeira de faia ou de carvalho, pó de pedra, amianto.** Essas substâncias são cancerígenas.
- ▶ **Não aspire nem sobre líquidos.** A penetração de líquidos aumenta o risco de um choque elétrico.
- ▶ **Não exponha a ferramenta à chuva ou às condições úmidas.** A água entrando na ferramenta aumenta o risco de choque elétrico.

- ▶ **Se não for possível evitar o funcionamento da ferramenta elétrica em áreas úmidas, utilizar uma alimentação protegida por um dispositivo de corrente diferencial residual (DR).** O uso de um DR reduz o risco de um choque elétrico.
- ▶ **Não use a ferramenta elétrica com o cabo danificado. Não toque no cabo danificado e retire o plugue da tomada se o cabo for danificado durante o trabalho.** Cabos danificados aumentam o risco de um choque elétrico.
- ▶ **Não atropelar nem esmagar o cabo. Não puxe pelo cabo para retirar a ficha da tomada nem para deslocar a ferramenta elétrica.** Cabos danificados aumentam o risco de um choque elétrico.
- ▶ **Retire o plugue da tomada antes de fazer ajustes na ferramenta, substituir acessórios ou remover a ferramenta elétrica.** Esta medida de segurança evita que a ferramenta elétrica ligue involuntariamente.
- ▶ **Providencie uma boa ventilação no local de trabalho.**
- ▶ **Não deixe que crianças usem a ferramenta elétrica sem vigilância.** As crianças podem sofrer ferimentos.
- ▶ **Use equipamento de proteção pessoal adicional, como óculos de proteção e máscara de proteção respiratória.** Usar equipamentos de proteção para as condições correspondentes reduz a exposição a substâncias perigosas.



Descrição do produto e especificações



Ler todas as indicações de segurança e instruções. O desrespeito das advertências e das instruções de segurança apresentadas abaixo pode causar choque elétrico, incêndio e/ou graves lesões.

Respeite as ilustrações na parte da frente do manual de instruções.

Utilização adequada

A ferramenta elétrica é indicada para aspirar e soprar substâncias não prejudiciais à saúde.

A ferramenta elétrica **não** é indicada para aspirar e soprar materiais inflamáveis, aparas de metal e objetos pontiagudos, como parafusos ou pregos.

Componentes ilustrados

A numeração dos componentes ilustrados refere-se à apresentação do aspirador nas páginas de esquemas.

- (1) Punho

- (2) Interruptor de ligar/desligar
- (3) Botão de segurança do interruptor de ligar/desligar
- (4) Roda de ajuste para regular o caudal de ar
- (5) Saída de ar
- (6) Capas para escovas de carvão
- (7) Bocal
- (8) Saco de pó
- (9) Entrada de ar
- (10) Escovas de carvão

Dados técnicos

Soprador	GBL 82-270	
Nº do produto	3 601 J80 4..	
Potência nominal consumida	W	820
Volume de ar	m ³ /min	4,5
Pressão do ar	mbar	0-72
Peso conforme EPTA-Procedure 01:2014	kg	1,8
Classe de proteção	□/II	

Os dados são válidos para uma tensão nominal [U] de 230 V. No caso de tensões divergentes e em versões específicas do país, estes dados podem variar.

Informação sobre ruídos/vibrações

Os valores de emissão de ruído foram determinados de acordo com **EN 60745-1**.

O nível sonoro avaliado A da ferramenta elétrica é normalmente: nível de pressão sonora **89 dB(A)**; nível de potência sonora **100 dB(A)**. Incerteza K=3 dB.

Usar protetor auricular!

Valores totais de vibração a_{h_i} (soma dos vetores de três direções) e incerteza K determinada segundo **EN 60745-1**: $a_{h_i} < 2,5 \text{ m/s}^2$, $K = 1,5 \text{ m/s}^2$.

O nível de vibrações indicado nestas instruções foi medido de acordo com um método de medição padronizado e pode ser usado para comparar ferramentas elétricas entre si. Ele também é apropriado para uma avaliação provisória da carga de vibrações.

O nível de vibrações indicado representa as aplicações principais da ferramenta elétrica. No entanto, se a ferramenta elétrica for usada para outras aplicações, com diferentes acessórios acopláveis ou com manutenção insuficiente, o nível de vibrações pode ser diferente. Isto pode aumentar a carga de vibrações durante o completo período de trabalho.

Para uma estimativa exata da carga de vibrações, também deveriam ser considerados os períodos nos quais o aparelho está desligado ou funciona sem estar sendo utilizado. Isto pode reduzir a carga de vibrações durante o completo período de trabalho.

Além disso também deverão ser estipuladas medidas de segurança para proteger o operador contra o efeito de vibrações, como por exemplo: a manutenção das

ferramentas elétricas e dos acessórios acopláveis, mãos quentes durante o trabalho e a organização dos processos de trabalho.

Funcionamento

- **Antes de todos trabalhos na ferramenta elétrica, retirar o plugue da tomada.**

Tipos de funcionamento

Soprar (ver figura A)

Para o tipo de funcionamento Soprar, encaixe o bocal (7) de acordo com a marcação de seta na saída de ar (5).

Aspirar (ver figura B)

Para o tipo de funcionamento Aspirar, encaixe o bocal (7) de acordo com a marcação de seta na entrada de ar (9).

Encaixe sempre adicionalmente o saco do pó (8) na saída de ar (5).

Colocação em funcionamento

- **Observar a tensão de rede! A tensão da fonte de corrente elétrica deve coincidir com a indicada na chapa de identificação da ferramenta elétrica. As ferramentas elétricas assinaladas com 230 V também podem ser operadas com 220 V.**

Ligar e desligar

Para **ligar** a ferramenta elétrica, pressione o interruptor de ligar/desligar (2).

Para **bloquear** o interruptor de ligar/desligar (2) mantenha-o premido e prima adicionalmente a tecla de retenção para o interruptor de ligar/desligar (3).

Para **desligar** a ferramenta elétrica, solte o interruptor de ligar/desligar (2). Se o interruptor de ligar/desligar (2) estiver bloqueado, pressione-o primeiro e depois solte-o.

Regulagem do volume de ar

Rode a roda de ajuste (4), para ajustar o caudal de ar desejado:

- **para a direita:** aumentar o caudal de ar
- **para a esquerda:** reduzir o caudal de ar

Indicações de trabalho

Tenha em atenção que a entrada de ar (9) não pode aspirar impurezas durante o processo de sopro.

Nunca aspire sem saco do pó.

Não aspire materiais pontiagudos ou quentes, como estilhaços de vidro, cinza quente ou aparas de metal.

Ao aspirar, esvazie regularmente o saco do pó. Respeite as normas ambientais ao eliminar os resíduos.

Manutenção e serviço

Manutenção e limpeza

- ▶ **Antes de todos trabalhos na ferramenta elétrica, retirar o plugue da tomada.**
- ▶ **Manter a ferramenta elétrica e as aberturas de ventilação sempre limpas, para trabalhar bem e de forma segura.**

Se for necessário substituir o cabo de conexão, isto deverá ser realizado pela Bosch ou por uma oficina de serviço pós-venda autorizada para todas as ferramentas elétricas Bosch para evitar riscos de segurança.

Trocar as escovas de carvão (ver figura C)

Verifique o comprimento das escovas de carvão aproximadamente a cada 2-3 meses e troque ambas, se necessário.

Nunca substitua apenas uma escova de carvão!

Nota: Utilize apenas escovas de carvão recomendadas da Bosch, que são adequadas para o seu produto.

- Solte as capas (6) com uma chave de parafusos apropriada.
- Troque as escovas de carvão (10) sob pressão de mola e volte a aparafusar as capas.

Critério para trocar as escovas de carvão: Na superfície lateral grande da escova de carvão é visível uma linha tracejada ou pontilhada. Se uma das duas escovas de carvão estiver gasta até esta linha, deverá substituir imediatamente as duas escovas de carvão, para proteger o computador de eventuais danos.

Serviço pós-venda e assistência ao cliente

O serviço pós-venda responde às suas perguntas a respeito de serviços de reparação e de manutenção do seu produto, assim como das peças sobressalentes. Desenhos explodidos e informações sobre peças sobressalentes também em:

www.bosch-pt.com

A equipe de consultores Bosch esclarece com prazer todas as suas dúvidas a respeito dos nossos produtos e acessórios.

www.powertool-portal.de, o portal de Internet para profissionais e aficionados.

Indique em todas as questões ou encomendas de peças sobressalentes impreterivelmente a referência de 10 dígitos de acordo com a placa de características do produto.

Brasil

Robert Bosch Ltda. – Divisão de Ferramentas Elétricas
Caixa postal 1195 – CEP: 13065-900
Campinas – SP
Tel.: 0800 7045 446
www.bosch.com.br/contato

Angola

InvestGlobal
Parque Logístico
Estrada de Viana Km 12
Luanda

Tel. : +212 948 513 580

E-Mail: helderribeiro@investglobal-ang.com

Descarte

Ferramentas elétricas, acessórios e embalagens devem ser enviados a uma reciclagem ecológica de matérias primas.



Não jogar as ferramentas elétricas no lixo doméstico!

日本語

安全上の注意事項

電動工具に関する安全上の一般注意事項

警告 安全上の注意事項をすべてよくお読みください。安全上の注意と指示事項を順守しないと、感電、火災、けが等の事故につながるおそれがあります。

お読みになった後は、お使いになる方がいつでも見られるところに必ず保管してください。

本書で使用する「電動工具」という用語は、電源式（コード付き）電動工具またはバッテリー式（コードレス）電動工具を示します。

作業環境の安全について

- ▶ 作業場は整理整頓し、十分な照明を確保してください。散らかった暗い場所は事故を招くおそれがあります。
- ▶ 爆発を誘引することがある可燃性の液体、ガスや粉じんがあるところでは、電動工具を使用しないでください。電動工具は、粉じんまたはヒュームを発火させることがある火花を発生する場合があります。
- ▶ 電動工具の使用中は、お子様や第三者を近付けないでください。注意が散漫になって、操作に集中できなくなる場合があります。

電気的安全性について

- ▶ 電動工具の電源プラグは、コンセントに合ったものを使用してください。電源プラグを改造しないでください。アダプタープラグを接地した電動工具と一緒に使用しないでください。改造していない電源プラグとそれに対応するコンセントを使用すれば、感電するリスクが低くなります。
- ▶ パイプ、暖房機器、電子レンジ、冷蔵庫などの接地されたものと身体が接触しないようにしてください。身体と接地すると、感電する危険が高まります。
- ▶ 電動工具は雨または湿気がある状態にさらさないでください。電動工具に水が入ると、感電する危険が高まります。

- ▶ コードを乱暴に扱わないでください。電動工具を移動させたり、引っ張ったり、電源プラグを抜くためにコードを利用しないでください。コードは、熱、油、角が尖った物や動く物から離しておいてください。コードが損傷したり、絡まったりすると、感電する危険が高まります。
- ▶ 電動工具を戸外で使用する時は、屋外での使用に適した延長コードを使用してください。屋外での使用に適した延長コードを使用すれば、感電するリスクが低くなります。
- ▶ 電動工具を湿気の多い場所で使用しなくてはならない場合は、漏電遮断器で保護されている電源を使用してください。漏電遮断器を使用すれば、感電するリスクが低くなります。

人的安全性

- ▶ 電動工具を使用する時は、油断をせず、いま自分が何をしているかに注意し、常識を働かせてください。疲れている、アルコールや医薬品を飲んでいる時は、電動工具を使用しないでください。電動工具を使用している間の一瞬の不注意で、深刻な人的傷害をもたらす場合があります。
- ▶ 安全保護具を使用してください。常時、保護メガネを装着してください。適切な状態で防じんマスク、滑り防止安全靴、ヘルメット、耳栓などの安全保護具を使用すれば、けがをするリスクが低くなります。
- ▶ 電動工具が意図せず始動しないようにしてください。電源プラグを差し込む前に、スイッチがオフの位置にあることを確認してください。スイッチに指をかけて電動工具を運んだり、スイッチがオンになった電動工具の電源プラグを差し込むと、事故につながるおそれがあります。
- ▶ 電動工具の電源を入れる前に、調整キーやレンチを外してください。電動工具の回転部分にキーやレンチを付けたままにしておく、けがにつながるおそれがあります。
- ▶ 無理な姿勢で作業しないでください。常に適切な足場とバランスを維持してください。これにより、予期しない状況でも電動工具をより適切に操作できるようになります。
- ▶ きちんとした服装で作業してください。だぶだぶの衣類や装飾品は身に付けしないでください。髪、服や手袋を回転部に近付けないでください。だぶだぶの服、装飾品や長髪は、回転部に巻き込まれる場合があります。
- ▶ 集じん装置を接続できる機種の場合は、適切に接続・使用されていることを確認してください。これらの装置を使用することにより、粉じん関連の危険を低減することができます。

電動工具の使用とお手入れについて

- ▶ 電動工具を無理に使用しないでください。用途に合った正しい電動工具を使用してください。正しい電動工具を使用すれば、より適切・安全に作業できるようになります。
- ▶ スイッチで始動/停止を操作できない場合、その電動工具は使用しないでください。スイッチ

で制御できない電動工具は危険ですので、修理を依頼してください。

- ▶ 調整を行う前、付属品を交換する前、または電動工具を保管する前には、電源プラグをコンセントから抜くか、または電動工具からバッテリーを外してください。このような予防的安全対策を講じれば、電動工具を誤って始動させるリスクが低くなります。
- ▶ 使用しない電動工具は、お子様の手の届かないところに保管し、電動工具に不慣れな方や取扱説明書の注意事項に目を通していない方には電動工具を使用させないでください。電動工具を扱い慣れていない方に渡すと危険です。
- ▶ 電動工具の保守を行ってください。電動工具の動作に影響するおそれがある可動部の心ズレや結合、部品の破損やその他の状態を点検してください。異常がある場合は、使用する前に電動工具の修理を行ってください。電動工具の保守が不十分であることが、多くの事故の原因となります。
- ▶ 先端工具は、鋭利かつ清潔に保ってください。先端工具を適切に手入れして鋭利にしておけば、作業をスムーズに進めることができ、操作もしやすくなります。
- ▶ 電動工具、付属品、先端工具などは、作業条件と実施する作業を考慮し、取扱説明書に従って使用してください。意図された作業と異なる作業に電動工具を使用すると、危険につながるおそれがあります。

サービス

- ▶ 修理の必要がある場合は、必ずお買い求めの販売店、または電動工具サービスセンターにお申しつけください。専門知識を備えた担当スタッフが純正交換部品を使用して作業を行います。

ブロワに関する安全上の注意事項

- ▶ 人体に害を及ぼす物質（ブナ材やオーク材の粉じん、石粉、石綿など）を吸引したり、吹き飛ばさないでください。これらの物質は健康障害につながるおそれがあります。
- ▶ 液体を吸引したり、吹き飛ばさないでください。液体が内部に浸入してしまうと、感電する危険が高まります。
- ▶ 電動工具は雨または湿気がある状態にさらさないでください。電動工具に水が入ると、感電する危険が高まります。
- ▶ 電動工具を湿気の多い場所で使用しなくてはならない場合は、漏電遮断器で保護されている電源を使用してください。漏電遮断器を使用すれば、感電するリスクが低くなります。
- ▶ 電源コードが損傷している場合には本製品を使用しないでください。作業中に電源コードが損傷した場合は、損傷したコードに触れたり、電源プラグを抜いたりしないでください。電源コードが損傷し、感電する危険が高まります。
- ▶ 電源コードを踏んだり、押しつぶしたりしないでください。電源コードを持って運んだり、電

源コードを引っ張ってコンセントから電源プラグを抜かないでください。電源コードが損傷し、感電する危険が高まります。

- ▶ 本製品の保管、設定のプリセットや付属品の交換を行う前に、コンセントから電源プラグを抜いてください。こうした措置により、本機の意図しない始動を防ぐことができます。
- ▶ 作業する場所の換気に注意してください。
- ▶ 誰もいないところでお子様に電動工具を使用させないでください。お子様がけがをされるおそれがあります。
- ▶ 保護メガネや防じんマスクなどの保護具を併用してください。こうした保護具を着用すれば、肌が有害物質にさらされるのを防ぐことができます。



製品と仕様について



安全上の注意事項と指示にすべて目を通してください。安全上の注意事項と指示を守らないと、感電、火災または/および重傷を招くことがありますのでご注意ください。

取扱説明書の冒頭に記載されている図を参照してください。

用途

本機は、人体に害を及ぼすことのない物を吸引したり、吹き飛ばすためのものです。

本機は、燃えやすい物、金属くず、先が尖った物（ネジや釘）の吸引や吹き飛ばしには適していません。

各部の名称

記載のコンポーネントの番号は、構成図のページにある本機の図に対応しています。

- (1) ハンドグリップ
- (2) オン / オフスイッチ
- (3) オン / オフスイッチ用ロックボタン
- (4) 風量調節ダイヤル
- (5) 送風口
- (6) ブラシ用キャップ
- (7) ノズル
- (8) 吸じん袋
- (9) 吸入口
- (10) ブラシ

テクニカルデータ

プロフ	GBL 82-270	
部品番号		3 601 J80 4..
定格入力	W	820
風量	m ³ /min	4.5
風圧	mbar	0-72
質量 (EPTA-Procedure 01:2014 に準拠)	kg	1.8
保護クラス		□/II

本記載内容は、定格電圧 [U] が230Vの場合です。電圧や国別の仕様が異なると、数値も多少変動することがあります。

操作

- ▶ 作業前に、必ずコンセントから電源プラグを抜いてください。

運転モード

送風 (図Aを参照)

送風機として使用する時は、矢印のマークに従ってノズル(7)を送風口(5)にしっかり押し込みます。

吸じん (図Bを参照)

吸じん機として使用する時は、矢印のマークに従ってノズル(7)を吸入口(9)にしっかり押し込みます。吸じん袋(8)も必ず送風口(5)に取り付けてください。

始動

- ▶ 電源電圧に注意してください！ 本体銘板に表示されている電圧の電源を使用してください。230Vの表示がある電動工具を220Vの供給電圧に接続することも可能です。

スイッチのオン/オフ

本機をオンにするには、オン/オフスイッチ(2)を押します。

オン/オフスイッチ(2)をロックする場合は、スイッチを押したまま、オン/オフスイッチ用ロックボタン(3)を押します。

本機をオフにするには、オン/オフスイッチ(2)から指を離します。オン/オフスイッチ(2)がロックされていた場合は、いったんスイッチを押してから指を離してください。

風量を調節する

希望の風量になるまでダイヤル(4)を回します。

- 時計回り：風量が強くなる
- 反時計回り：風量が弱くなる

作業に関する注意事項

送風機として使用している時に吸入口(9)から汚物が吸い込まれないよう注意してください。

吸じん袋を取り付けない状態で吸引しないでください。

破損したガラス、熱い灰や金属の削りくずなど、先が尖った物や熱を帯びた物を吸引しないでください。

吸じんを行ったら、吸じん袋を定期的に空にしてください。ごみを廃棄する際、環境関連の規制を必ず順守してください。

お手入れと保管

保守と清掃

- ▶ 作業前に、必ずコンセントから電源プラグを抜いてください。
- ▶ 安全・正常に機能するよう、本機と通風穴を清潔に保ってください。

接続コードを交換する必要がある場合は、安全上の問題から、本機をお買い求めの販売店、またはボッシュ電動工具サービスセンターにぜひお申しつけください。

ブラシを交換する(図Cを参照)

2~3カ月毎にブラシの長さをチェックし、必要に応じて2つのブラシを交換してください。

片方のブラシのみ交換しないでください!

注意事項: 本機に適したボッシュ製のブラシのみを使用してください。

- 適切なスクリュードライバーでキャップ(6)を緩めます。
- スプリング圧のかかったブラシ(10)を交換し、キャップを再度締め付けます。

ブラシの交換基準: ブラシの大きな側面に破線または点線が付いています。2つのブラシの一方をこのラインまで使用した場合には、整流器の損傷を防ぐために、すぐにブラシを2つとも交換してください。

カスタマーサービス&使い方のご相談

製品の修理/メンテナンスや交換パーツに関してご質問等ございましたら、カスタマーサービスにぜひお問い合わせください。分解組立図や交換パーツに関する情報についてはHPでご確認いただけます(www.bosch-pt.com)。

ボッシュのアプリケーションサポートチームは、製品や付属品に関するご質問をお待ちしております。

www.powertool-portal.de : プロユーザーやDIYユーザーのためのインターネットポータル

お問い合わせまたは交換パーツの注文の際には、必ず製品の銘板に基づき10桁の部品番号をお知らせください。

日本

ボッシュ株式会社 電動工具事業部
〒150-8360 東京都渋谷区渋谷 3-6-7
コールセンターフリーダイヤル 0120-345-762
(土・日・祝日を除く、午前 9:00 ~ 午後 6:00)
ホームページ: <http://www.bosch.co.jp>

廃棄

本機、アクセサリーと梱包材は、環境に適合した方法でリサイクルしてください。



本機を家庭用ごみとして廃棄しないでください。

中文

安全规章

电动工具通用安全警告

警告! 警告! 阅读所有警告和所有说明! 不遵照以下警告和说明会导致电击、着火和/或严重伤害。

保存所有警告和说明书以备查阅。

在所有下列的警告中术语“电动工具”指市电驱动(有线)电动工具或电池驱动(无线)电动工具。

工作场地的安全

- ▶ 保持工作场地清洁和明亮。混乱和黑暗的场地会引发事故。
- ▶ 不要在易爆环境, 如有易燃液体、气体或粉尘的环境下操作电动工具。电动工具产生的火花会点燃粉尘或气体。
- ▶ 让儿童和旁观者离开后操作电动工具。注意力不集中会使操作者失去对工具的控制。

电气安全

- ▶ 电动工具插头必须与插座相配。绝不能以任何方式改装插头。需接地的电动工具不能使用任何转换插头。未经改装的插头和相配的插座将减少电击危险。
- ▶ 避免人体接触接地表面, 如管道、散热片和冰箱。如果你身体接地会增加电击危险。
- ▶ 不得将电动工具暴露在雨中或潮湿环境中。水进入电动工具将增加电击危险。
- ▶ 不得滥用电线。绝不能用电线搬运、拉动电动工具或拔出其插头。使电线远离热源、油、锐边或运动部件。受损或缠绕的软线会增加电击危险。
- ▶ 当在户外使用电动工具时, 使用适合户外使用的外接软线。适合户外使用的软线将减少电击危险。
- ▶ 如果在潮湿环境下操作电动工具是不可避免的, 应使用剩余电流动作保护器(RCD)。使用RCD可减小电击危险。

人身安全

- ▶ **保持警觉，当操作电动工具时关注所从事的操作并保持清醒。当你感到疲倦，或在有药物、酒精或治疗反应时，不要操作电动工具。**在操作电动工具时瞬间的疏忽会导致严重人身伤害。
- ▶ **使用个人防护装置。始终佩戴护目镜。**安全装置，诸如适当条件下使用防尘面具、防滑安全鞋、安全帽、听力防护等装置能减少人身伤害。
- ▶ **防止意外起动。确保开关在连接电源和/或电池盒、拿起或搬运工具时处于关断位置。**手指放在已接通电源的开关上或开关处于接通时插入插头可能会导致危险。
- ▶ **在电动工具接通之前，拿掉所有调节钥匙或扳手。**遗留在电动工具旋转零件上的扳手或钥匙会导致人身伤害。
- ▶ **手不要伸展得太长。时刻注意立足点和身体平衡。**这样在意外情况下能很好地控制电动工具。
- ▶ **着装适当。不要穿宽松衣服或佩戴饰品。让衣服、手套和头发远离运动部件。**宽松衣服、配饰或长发可能会卷入运动部件中。
- ▶ **如果提供了与排屑、集尘设备连接用的装置，要确保他们连接完好且使用得当。**使用这些装置可减少尘屑引起的危险。

电动工具使用和注意事项

- ▶ **不要滥用电动工具，根据用途使用适当的电动工具。**选用适当设计的电动工具会使你工作更有效、更安全。
- ▶ **如果开关不能接通或关断工具电源，则不能使用该电动工具。**如果开关不能接通或关断工具电源，则不能使用该电动工具。
- ▶ **在进行任何调节、更换附件或贮存电动工具之前，必须从电源上拔掉插头和/或使电池盒与工具脱离。**这种防护性措施将减少工具意外起动的危险。
- ▶ **将闲置不用的电动工具贮存在儿童所及范围之外，并且不要让不熟悉电动工具或对这些说明不了解的人操作电动工具。**电动工具在未经培训的用户手中是危险的。
- ▶ **保养电动工具。检查运动部件是否调整到位或卡住，检查零件破损情况和影响电动工具运行的其他状况。**如有损坏，电动工具应在使用前修理好。许多事故由维护不良的电动工具引发。
- ▶ **保持切削刀具锋利和清洁。**保养良好的有锋利切削刃的刀具不易卡住而且容易控制。
- ▶ **按照使用说明书，考虑作业条件和进行的作业来使用电动工具、附件和工具的刀头等。**将电动工具用于那些与其用途不符的操作可能会导致危险。

维修

- ▶ **将电动工具用于那些与其用途不符的操作可能会导致危险。**这样将确保所维修的电动工具的安全性。

风扇安全提示

- ▶ **切勿抽吸和吹扫榫木屑或橡木屑、矿物性粉尘、石棉之类的有害物质。**这些物质可能致癌。

- ▶ **切勿抽吸和吹扫液体。**液体渗入会增加触电风险。
- ▶ **不得将电动工具暴露在雨中或潮湿环境中。**水进入电动工具将增加电击危险。
- ▶ **如果在潮湿环境下操作电动工具是不可避免的，应使用剩余电流动作保护器（RCD）。**使用RCD可减少电击危险。
- ▶ **勿使用电线已经损坏的电动工具。**如果电源电线在工作中受损，切勿触摸损坏的电线，并要马上拔出插头。损坏的电线会提高用户触电的危险。
- ▶ **切勿碾压或挤压电源线。**切勿拉扯电源线以将插头从电源插座上拔下或移动电动工具。损坏的电线会提高用户触电的危险。
- ▶ **调整设备设置、更换附件或贮存本电动工具前，要将插头从电源插座上拔出。**这种防护性措施将减少工具意外起动的危险。
- ▶ **要确保工作场所通风良好。**
- ▶ **不要让儿童在无人监管的情况下使用电动工具。**儿童可能会受伤。
- ▶ **还请佩戴个人防护装备，比如护目镜和保护呼吸面具。**戴上合适的防护装备能够减少暴露在有害物质下的危险。



产品和性能说明



请阅读所有安全规章和指示。不遵照以下警告和说明可能导致电击、着火和/或严重伤害。

请注意本使用说明书开头部分的图示。

按照规定使用

本电动工具适合抽吸和吹扫不会妨碍健康的物料。本电动工具不适用于抽吸和吹扫可燃材料、金属碎屑和螺栓或钉子等尖锐物品。

插图上的机件

图示组件的编号和吸尘器详解图上的编号一致。

- (1) 手柄
- (2) 电源开关
- (3) 电源开关的锁定按钮
- (4) 气流量的调整开关
- (5) 空气出口
- (6) 碳刷的盖子
- (7) 喷嘴
- (8) 集尘袋
- (9) 进气口
- (10) 碳刷

技术参数

风扇		GBL 82-270
物品代码		3 601 J80 4..
额定输入功率	瓦	820
气流量	立方米/分	4.5
气压	毫巴	0-72
重量符合	公斤	1.8
EPTA-Procedure 01:2014		
保护等级		□/II

所有参数适用于230伏的额定电压[U]，对于其他不同的电压和国际规格，数据有可能不同。

运行

- ▶ **在电动工具上进行所有操作之前都必须从插座上拔出电源插头。**

运行模式

吹扫 (见图片A)

执行吹扫运行模式时，根据箭头标识，将吹嘴(7)牢牢插到出风口(5)上。

抽吸 (见图片B)

执行抽吸运行模式时，根据箭头标识，将吹嘴(7)牢牢插到进风口(9)上。

还需要将集尘袋(8)插到出风口(5)上。

投入使用

- ▶ **注意电源电压！** 电源的电压必须和电动工具铭牌上标示的电压一致。标记为230伏电动工具用220伏的电压可以驱动。

接通/关闭

如要**接通**电动工具，请按压电源开关(2)。

如要**锁定**电源开关(2)，则将其按住并另外按下电源开关的锁定按钮(3)。

如要**关闭**电动工具，请松开电源开关(2)。电源开关(2)锁定后，先按压，然后再松开。

调节空气量

转动调节轮(4)，以设置所需的空气量：

- **顺时针：**增大空气量
- **逆时针：**减小进气量

工作提示

请注意，在吹扫过程中不得用进风口(9)抽吸脏污。

集尘时务必使用集尘袋。

不得抽吸边缘锋利或热的材料，如碎玻璃、热灰或金属屑。

集尘时必须定期倒空集尘袋。清除废料时务必注意有关的环保规定。

维修和服务

维护和清洁

- ▶ **在电动工具上进行所有操作之前都必须从插座上拔出电源插头。**
- ▶ **电动工具和通气孔必须随时保持清洁，以确保工作效率和工作安全。**

如果必须更换连接线，务必把这项工作交给博世或者经授权的博世电动工具顾客服务执行，以避免危害机器的安全性能。

更换碳刷 (见图片C)

每2到3个月就得检查碳刷的长度，必要时两个碳刷都得更换。

切勿只更换一个碳刷！

提示：只能向博世购买针对该产品的碳刷。

- 用合适的螺丝起子机松开盖帽(6)。
- 请更换处于弹簧压力下的碳刷(10)并再次拧上盖帽。

有关碳刷更换的标准：在碳刷的大侧面可看到虚线。如果两把碳刷中有一把已经耗损到界线上，则必须马上更换两把碳刷，以防止整流器受损。

客户服务和应用咨询

本公司顾客服务处负责回答有关本公司产品的修理、维护和备件的问题。备件的分解图和信息也可查看：www.bosch-pt.com

博世应用咨询团队乐于就我们的产品及其附件问题提供帮助。

www.powertool-portal.de，适合工匠和DIY者的互联网门户网站。

如需查询和订购备件，请务必提供产品型号铭牌上的10位数货号。

香港和澳门特别行政区

罗伯特博世有限公司
香港北角英皇道625号，
21楼

客户服务热线：+852 2101 0235

传真：+852 2590 9762

电子邮件：info@hk.bosch.com

www.bosch-pt.com.hk

中国大陆

博世电动工具（中国）有限公司，中国浙江省杭州市滨江区滨康路567号

102/1F服务中心

邮政编码：310052

电话：(0571) 8887 5566 / 5588

传真：(0571) 8887 6688 x 5566# / 5588#

电邮：bsc_hz@cn.bosch.com

中华人民共和国

中国大陆

博世电动工具（中国）有限公司

博世服务中心

中国浙江省杭州市

滨江区

滨康路567号，

310052

電話：(0571) 8887 5566 / 5588

傳真：(0571) 8887 6688 x 5566# / 5588#

電子郵件：bsc_hz@cn.bosch.com

www.bosch-pt.com.cn

處理廢棄物

必須以符合環保要求的方式回收再利用電動工具、附件和包裝材料。



請勿將電動工具扔到生活垃圾中！

繁體中文

安全注意事項

電動工具通用安全警告

警告 閱讀所有警告和所有說明。不遵照以下警告和說明會導致電擊、著火和/或嚴重傷害。

保存所有警告和說明書以備查閱。

在所有警告中，「電動工具」此一名詞泛指：以市電驅動的（有線）電動工具或是以電池驅動的（無線）電動工具。

工作場地的安全

- ▶ 保持工作場地清潔和明亮。雜亂和黑暗的場地會引發事故。
- ▶ 不要在易爆環境，如有易燃液體、氣體或粉塵的環境下操作電動工具。電動工具產生的火花會點燃粉塵或氣體。
- ▶ 讓兒童和旁觀者離開後操作電動工具。注意力不集中會使您失去對工具的控制。

電氣安全

- ▶ 電動工具插頭必須與插座相配。絕不能以任何方式改裝插頭。需接地的電動工具不能使用任何轉換插頭。未經改裝的插頭和相配的插座將減少電擊危險。
- ▶ 避免人體接觸接地表面，如管道、散熱片和冰箱。如果您身體接地會增加電擊危險。
- ▶ 不得將電動工具暴露在雨中或潮濕環境中。水進入電動工具將增加電擊危險。
- ▶ 不得濫用電線。絕不能用電線搬運、拉動電動工具或拔出其插頭。將電線遠離熱源、油、銳利邊緣或移動零件。受損或纏繞的軟線會增加電擊危險。
- ▶ 當在戶外使用電動工具時，使用適合戶外使用的延長線。適合戶外使用的軟線，將減少電擊危險。
- ▶ 如果在潮濕環境下操作電動工具是不可避免的，應使用剩餘電流動作保護器（RCD）。使用RCD可降低電擊危險。

人身安全

- ▶ 保持警覺，當操作電動工具時關注所從事的操作並保持清醒。當您感到疲倦，或在有藥物、酒精或治療反應時，不要操作電動工具。在操作電動工具時瞬間的疏忽會導致嚴重人身傷害。
- ▶ 使用個人防護裝置。務必佩戴護目鏡。安全裝置，諸如適當條件下使用防塵面具、防滑安全鞋、安全帽、聽力防護等裝置能減少人身傷害。
- ▶ 防止意外起動。確保開關在連接電源和/或電池組、拿起或搬運工具時處於關閉位置。手指放在已接通電源的開關上或開關處於接通時插入插頭可能會導致危險。
- ▶ 在電動工具接通之前，拿掉所有調節鑰匙或扳手。遺留在電動工具旋轉零件上的扳手或鑰匙會導致人身傷害。
- ▶ 手不要伸展得太長。時刻注意立足點和身體平衡。這樣在意外情況下能很好地控制電動工具。
- ▶ 著裝適當。不要穿著寬鬆衣服或佩戴飾品。衣服、手套和頭髮請遠離移動零件。寬鬆衣服、佩飾或長髮可能會捲入移動零件中。
- ▶ 如果有排屑、集塵設備連接用的裝置，請確保其連接完好且使用得當。使用這些裝置可減少塵屑引起的危險。

電動工具使用和注意事項

- ▶ 請勿濫用電動工具。根據用途使用適當的電動工具。選用適當設計的電動工具會使您工作更有效、更安全。
- ▶ 如果開關不能開啟或關閉工具電源，則不能使用該電動工具。不能用開關來控制的電動工具是危險的且必須進行修理。
- ▶ 在進行任何調整、更換附件或貯存電動工具之前，必須從電源上拔掉插頭和/或將電池組拆下。這種防護性措施將減少工具意外起動的危險。
- ▶ 將閒置不用的電動工具貯存在兒童所及範圍之外，不得讓不熟悉電動工具或對這些說明不瞭解的人操作電動工具。由未經訓練的人員使用電動工具相當危險。
- ▶ 保養電動工具。檢查移動零件是否調整到位或卡住，檢查零件破損情況和影響電動工具運轉的其他狀況。如有損壞，電動工具應在使用前修理完成。許多事故由維護不良的電動工具引發。
- ▶ 保持切削刀具鋒利和清潔。保養良好的有鋒利切削刃的刀具不易卡住而且容易控制。
- ▶ 按照使用說明書，考慮作業條件和進行的作業來使用電動工具、配件和工具的尖端等。將電動工具用於那些與其用途不符的操作可能會導致危險。

檢修

- ▶ 將您的電動工具送交專業維修人員，必須使用同樣的備件進行更換。這樣將確保所維修的電動工具的安全性。

吸吹風機安全注意事項

- ▶ 請勿使用本裝置吸除及噴吹例如樺木屑、橡木屑、礦物粉塵、石棉等危害健康的物質。這些物質已認為致癌物。
- ▶ 本裝置請勿用於吸除及噴吹液體。如有液體滲入將增加觸電風險。
- ▶ 不得將電動工具暴露在雨中或潮濕環境中。水進入電動工具將增加電擊危險。
- ▶ 如果在潮濕環境下操作電動工具是不可避免的，應使用剩餘電流動作保護器（RCD）。使用RCD可降低電擊危險。
- ▶ 切勿使用電線已經損壞的電動工具。如果電源線在工作中受損，千萬不可觸摸損壞的電線，並應立刻拔下插頭。損壞的電線會提高使用者觸電的危險。
- ▶ 不可軋壓或擠壓電線。將插頭拔出插座時或移動電動工具時，請勿直接拉扯電線。損壞的電線將增加觸電風險。
- ▶ 在進行任何裝置設定、更換配件或封存電動工具之前，請先將插頭從插座上拔掉。這種防護性措施將減少工具意外起動的危險。
- ▶ 要確保工作場所通風良好。
- ▶ 不可放任兒童在無人監督之下使用本電動工具。兒童可能會受傷。
- ▶ 請您另外戴上適當的護目鏡和防毒面罩等個人防護裝備。戴上合適的防護裝備能夠降低暴露在有害物質下的危險。



產品和功率描述



請詳讀所有安全注意事項和指示。如未遵守安全注意事項與指示，可能導致火災、人員遭受電擊及/或重傷。
請留意操作說明書中最前面的圖示。

依規定使用機器

本電動工具適合吸除及噴吹對健康無害的物質。本電動工具並不適合用於吸除及噴吹可燃性物質、金屬切屑，以及螺栓或釘子等尖銳物品。

插圖上的機件

機件的編號和吸塵器詳解圖上的編號一致。

- (1) 把手
- (2) 起停開關
- (3) 起停開關的鎖止按鈕
- (4) 氣流量調整轉鈕
- (5) 出風口

- (6) 碳刷外蓋
- (7) 噴管
- (8) 集塵袋
- (9) 進氣口
- (10) 碳刷

技術性數據

吸吹風機	GBL 82-270	
產品機號	3 601 J80 4..	
額定輸入功率	W	820
氣流量	m ³ /min	4.5
氣壓	mbar	0-72
重量符合 EPTA-Procedure 01:2014	kg	1.8
絕緣等級	□/II	

本說明書提供的參數是以 230 伏特為依據，於低電壓地區，此數據有可能不同。

操作

- ▶ 維修電動工具或換裝零、配件之前，務必從插座上拔出插頭。

操作模式

噴吹（請參考圖 A）

如要使用「噴吹」操作模式，請將噴管 (7) 對應箭頭標記，然後牢牢插至出風口 (5) 上。

吸除（請參考圖 B）

如要使用「吸除」操作模式，請將噴管 (7) 對應箭頭標記，然後牢牢插至進氣口 (9) 上。
請務必另外將集塵袋 (8) 套在出風口 (5) 上。

操作機器

- ▶ 請注意電源電壓！電源的電壓必須和電動工具銘牌上標示的電壓一致。標示為 230 V 的電動工具亦可接上 220 V 電源。

啟動/關閉電源

若要啟動電動工具：按下起停開關 (2)。
若要固定起停開關 (2) 的位置，請將它按住不放並同時按壓起停開關的鎖止按鈕 (3)。
若要關閉電動工具，放開起停開關 (2) 即可。起停開關 (2) 的位置若是已被鎖定，請先按一下該開關然後再將它放開。

調節氣流量

請您轉動調整轉鈕 (4)，以便設定至所需氣流量：
- 順時針：調高氣流量
- 逆時針：調低氣流量

作業注意事項

請注意：進行噴吹期間，進氣口 (9) 上不可吸附任何污物。

進行吸除時務必使用集塵袋。

請勿用於吸除尖銳或高溫材料，例如玻璃碎片、炙熱灰燼或金屬切屑。

進行吸除時，必須定期清空集塵袋。清除廢料時務必遵照相關環保規定。

維修和服務

保養與清潔

- ▶ 維修電動工具或換裝零、配件之前，務必從插座上拔出插頭。
- ▶ 電動工具和通風口都必須保持清潔，這樣才能夠提高工作品質和安全性。

如果必須更換連接線，請務必交由博世或者經授權的博世電動工具顧客服務執行，以避免危害機器的安全性能。

更換碳刷 (請參考圖 C)

每 2 至 3 個月就應檢查碳刷長度。必要時請同時更換兩個碳刷。

切勿僅單獨更換任一碳刷！

提示：只能向博世購買針對該電動工具而設計的碳刷。

- 使用合適的螺絲起子拆開外蓋 (6)。
- 更換透過彈簧固定的碳刷 (10) 然後將外蓋重新鎖好。

應更換碳刷時的判斷標準：任一把碳刷較大的那一面上出現連續或點狀線條。兩把碳刷中若有任一把已損耗至此界線上，則兩把碳刷皆必須馬上更換，以防止電流變換器受損。

顧客服務處和顧客諮詢中心

本公司顧客服務處負責回答有關本公司產品的維修、維護和備用零件的問題。如需分解圖和備件的資料，請至以下網頁：www.bosch-pt.com

若對本公司產品及其配件有任何疑問，博世應用諮詢小組很樂意為您提供協助。

工匠與 DIY 玩家網路平台入口：www.powertool-portal.de

當您需要諮詢或訂購備用零件時，請務必提供本產品銘牌上的 10 位零件編號。

台灣

台灣羅伯特博世股份有限公司

建國北路一段90 號6 樓

台北市10491

電話：(02) 2515 5388

傳真：(02) 2516 1176

www.bosch-pt.com.tw

製造商地址：

Robert Bosch Power Tools GmbH

羅伯特· 博世電動工具有限公司

70538 Stuttgart / GERMANY

70538 斯圖加特 / 德國

廢棄物處理

必須以符合環保的方式，回收再利用損壞的機器、配件和廢棄的包裝材料。



不可以把電動工具丟入一般的家庭垃圾中。

한국어

안전 수칙

전동공구용 일반 안전수칙

⚠ 경고 모든 안전수칙과 지시 사항을 **상세히 읽고 지켜야 합니다.** 다음

의 안전수칙과 지시 사항을 준수하지 않으면 화재 위험이 있으며 감전 혹은 중상을 입을 수 있습니다.

앞으로 참고할 수 있도록 이 안전수칙과 사용 설명서를 잘 보관하십시오.

다음에서 사용되는 "전동공구"라는 개념은 전원에 연결하여 사용하는 (전선이 있는) 전동 기기나 배터리를 사용하는 (전선이 없는) 전동 기기를 의미합니다.

작업장 안전

- ▶ **작업장을 항상 깨끗이 하고 조명을 밝게 하십시오.** 작업장 환경이 어수선하거나 어두우면 사고를 초래할 수 있습니다.
- ▶ **가연성 유체, 가스 또는 분진이 있어 폭발 위험이 있는 환경에서 전동공구를 사용하지 마십시오.** 전동공구는 분진이나 증기에 점화하는 스파크를 일으킬 수 있습니다.
- ▶ **전동공구를 사용할 때 구멍이나 어린이 혹은 다른 사람이 작업장에 접근하지 못하게 하십시오.** 다른 사람이 주의를 산만하게 하면 기기에 대한 통제력을 잃기 쉽습니다.

전기에 관한 안전

- ▶ **전동공구의 전원 플러그가 전원 콘센트에 잘 맞아야 합니다.** 플러그를 절대 변경시켜서는 안 됩니다. (접지된) 전동공구를 사용할 때 어댑터 플러그를 사용하지 마십시오. 변형되지 않은 플러그와 잘 맞는 콘센트를 사용하면 감전의 위험을 줄일 수 있습니다.
- ▶ **파이프 관, 라디에이터, 레인지, 냉장고와 같은 접지 표면에 물이 닿지 않도록 하십시오.** 몸에 닿을 경우 감전될 위험이 높습니다.
- ▶ **전동공구를 비에 맞지 않게 하고 습기 있는 곳에 두지 마십시오.** 전동공구에 물이 들어가면 감전될 위험이 높습니다.
- ▶ **전원 코드를 잘못 사용하는 일이 없도록 하십시오.** 전원 코드를 잡고 전동공구를 운반해서는 안 되며, 콘센트에서 전원 플러그를 뽑을 때 전원 코드를 잡아 당겨서는 절대로 안 됩니다. 전원 코드가 열과 오일에 접촉하는 것을 피하고, 날카로운 모서리나

- 기기의 가동 부위에 닿지 않도록 주의하십시오. 손상되거나 영킨 전원 코드는 감전을 유발할 수 있습니다.
- ▶ 실외에서 전동공구로 작업할 때는 실외용으로 적당할 연장 전원 코드만을 사용하십시오. 실외용 연장 전원 코드를 사용하면 감전의 위험을 줄일 수 있습니다.
 - ▶ 전동공구를 습기 찬 곳에서 사용해야 할 경우에는 누전 차단기를 사용하십시오. 누전 차단기를 사용하면 감전 위험을 줄일 수 있습니다.

사용자 안전

- ▶ 신중하게 작업하며, 전동공구를 사용할 때 경솔하게 행동하지 마십시오. 피로한 상태이거나 약물 복용 및 음주 후에는 전동공구를 사용하지 마십시오. 전동공구를 사용할 때 잠시라도 주의가 산만해지면 중상을 입을 수 있습니다.
- ▶ 작업자 안전을 위한 장치를 사용하십시오. 항상 보안경을 착용하십시오. 전동공구의 종류와 사용에 따라 먼지 보호 마스크, 미끄러지지 않는 안전한 신발, 안전모 또는 귀마개 등의 안전한 복장을 하면 상해의 위험을 줄일 수 있습니다.
- ▶ 실수로 기기가 작동되지 않도록 주의하십시오. 전동공구를 전원에 연결하거나 배터리를 끼우기 전에, 혹은 기기를 들거나 운반하기 전에, 전원 스위치가 꺼져 있는지 다시 확인하십시오. 전동공구를 운반할 때 전원 스위치에 손가락을 대거나 전원 스위치가 켜진 상태에서 전원을 연결하면 사고 위험이 높습니다.
- ▶ 전동공구를 사용하기 전에 조절하는 돌이나 키 등을 빼 놓으십시오. 회전하는 부위에 있는 돌이나 키로 인해 상처를 입을 수 있습니다.
- ▶ 자신을 과신하지 마십시오. 불안정한 자세를 피하고 항상 평형을 이룬 상태로 작업하십시오. 안정된 자세와 평형한 상태로 작업해야만이 의외의 상황에서 전동공구를 안전하게 사용할 수 있습니다.
- ▶ 알맞은 작업복을 입으십시오. 헐렁한 복장을 하거나 장신구를 착용하지 마십시오. 머리카락 또는 장갑이 가동하는 기기 부위에 가까이 닿지 않도록 주의하십시오. 헐렁한 복장, 장신구 혹은 긴 머리는 가동 부위에 말려 사고를 초래할 수 있습니다.
- ▶ 분진 추출장치나 수거장치의 조립이 가능한 경우, 이 장치가 연결되어 있는지, 제대로 작동이 되는지 확인하십시오. 이러한 분진 추출장치를 사용하면 분진으로 인한 사고 위험을 줄일 수 있습니다.

전동공구의 올바른 사용과 취급

- ▶ 기기를 과부하 상태에서 사용하지 마십시오. 작업할 때 이에 적당한 전동공구를 사용하십시오. 알맞은 전동공구를 사용하면 지정된 성능 한도 내에서 더 효율적으로 안전하게 작업할 수 있습니다.
- ▶ 전원 스위치가 고장 난 전동공구를 사용하지 마십시오. 전원 스위치가 작동되지 않는 전동공구는 위험하므로, 반드시 수리를 해야 합니다.
- ▶ 기기에 세팅을 하거나 액세서리 부품을 교환하거나 혹은 기기를 보관할 때, 항상 전원 콘센트에서 플

러그를 미리 빼어 놓으십시오. 이러한 조치는 실수로 전동공구가 작동하게 되는 것을 예방합니다.

- ▶ 사용하지 않는 전동공구는 어린이 손이 닿지 않는 곳에 보관하고, 전동공구 사용에 익숙지 않거나 이 사용 설명서를 읽지 않은 사람은 기기를 사용해서는 안됩니다. 경험이 없는 사람이 전동공구를 사용하면 위험합니다.
- ▶ 전동공구를 조심스럽게 관리하십시오. 가동 부위가 하자 없이 정상적인 기능을 하는지, 걸리는 부위가 있는지, 혹은 전동공구의 기능에 중요한 부품이 손상되지 않았는지 확인하십시오. 손상된 기기의 부품은 전동공구를 다시 사용하기 전에 반드시 수리를 맡기십시오. 제대로 관리하지 않은 전동공구의 경우 많은 사고를 유발합니다.
- ▶ 절단 공구를 날카롭고 깨끗하게 관리하십시오. 날카로운 절단면이 있고 잘 관리된 절단공구는 걸리는 경우가 드물고 조절하기도 쉽습니다.
- ▶ 전동공구, 액세서리, 장착하는 공구 등을 사용할 때, 이 지시 사항과 특별히 기종 별로 나와있는 사용 방법을 준수하십시오. 이때 작업 조건과 실시하려는 작업 내용을 고려하십시오. 원래 사용 분야가 아닌 다른 작업에 전동공구를 사용할 경우 위험한 상황을 초래할 수 있습니다.

서비스

- ▶ 전동공구 수리는 반드시 전문 인력에게 맡기고, 수리 정비 시 보쉬 순정 부품만을 사용하십시오. 그렇게 함으로써 기기의 안전성을 오래 유지할 수 있습니다.

송풍기 안전 수칙

- ▶ 너도밤나무 분진 또는 물푸레나무 분진, 암석 분진, 석면 등과 같이 건강에 유해한 물질을 흡입하거나 송풍하지 마십시오. 이러한 물질은 암을 유발할 수 있습니다.
- ▶ 액체를 흡입하거나 송풍하지 마십시오. 액체가 유입될 경우 감전의 위험이 높아집니다.
- ▶ 전동공구를 비에 맞지 않게 하고 습기 있는 곳에 두지 마십시오. 전동공구에 물이 들어가면 감전될 위험이 높습니다.
- ▶ 전동공구를 습기 찬 곳에서 사용해야 할 경우에는 누전 차단기를 사용하십시오. 누전 차단기를 사용하면 감전 위험을 줄일 수 있습니다.
- ▶ 절대로 전원 코드가 손상된 전동공구를 사용하지 마십시오. 작업하다가 전원 코드가 손상된 경우 손상된 코드를 만지지 말고 바로 플러그를 빼십시오. 손상된 전원 코드는 감전을 일으킬 위험이 높습니다.
- ▶ 전원 케이블을 밟거나 누르지 않도록 하십시오. 소켓에서 플러그를 당겨 빼내거나 전동공구를 이동시키기 위해 케이블을 잡지 마십시오. 손상된 전원 케이블은 감전을 일으킬 위험이 높습니다.
- ▶ 공구 설정을 적용하거나 액세서리 교환 또는 전동공구를 분리하기 전에 전원 소켓에서 플러그를 빼내십시오. 이러한 조치는 실수로 전동공구가 작동하게 되는 것을 예방합니다.

- ▶ 작업장에 환기가 잘 되도록 하십시오.
- ▶ 어린이가 무감독 상태로 전동공구를 사용하는 일이 없도록 하십시오. 어린이가 다칠 수 있습니다.
- ▶ 보안경 및 방독 마스크와 같은 개인 보호 장비를 추가로 착용하십시오. 해당 사항에 맞는 보호 장비를 착용하면 위험한 물질에 접하게 되는 위험을 줄일 수 있습니다.



제품 및 성능 설명



모든 안전 수칙과 지침을 숙지하십시오.
다음의 안전 수칙과 지침을 준수하지 않으면 화재 위험이 있으며 감전 혹은 중상을 입을 수 있습니다.

사용 설명서 앞 부분에 제시된 그림을 확인하십시오.

규정에 따른 사용

본 전동공구는 건강에 유해하지 않은 소재를 흡입하거나 송풍하는 데 적합합니다.

본 전동공구는 가연성 소재, 금속 칩 및 나사 또는 못 등 날카로운 물건을 흡입 및 송풍 작업하기에 적합하지 않습니다.

제품의 주요 명칭

그림의 부품에 매겨진 번호는 그래픽 페이지의 진공 청소기 그림에 해당됩니다.

- (1) 손잡이
- (2) 전원 스위치
- (3) 전원 스위치 잠금 버튼
- (4) 공기량 조절 다이얼
- (5) 공기 배출구
- (6) 카본 브러시 캡
- (7) 노즐
- (8) 먼지 백
- (9) 공기 흡입구
- (10) 카본 브러시

제품 사양

송풍기	GBL 82-270	
제품 번호	3 601 J80 4..	
소비 전력	W	820
공기량	m ³ /min	4.5
기압	mbar	0-72
EPTA-Procedure 01:2014에 따른 중량	kg	1.8

송풍기

GBL 82-270

보호 등급



자료는 정격 전압 [U] 230V를 기준으로 한 것입니다. 전압이 다른 경우 및 국가별 사양에 따라 변동이 있을 수 있습니다.

작동

- ▶ 전동공구를 보수 정비하기 전에 반드시 콘센트에서 전원 플러그를 빼십시오.

작동 모드

송풍(그림 A 참조)

송풍 모드로 작동하려면 노즐 (7) 을 공기 배출구 (5) 에 화살표 방향을 따라 끼우십시오.

흡입(그림 B 참조)

흡입 모드로 작동하려면 노즐 (7) 을 공기 흡입구 (9) 에 화살표 방향을 따라 끼우십시오.

먼지 백 (8) 을 공기 배출구 (5) 에 끼우십시오.

기계 시동

- ▶ 전원의 전압에 유의하십시오! 공급되는 전원의 전압은 전동공구의 명판에 표기된 전압과 동일해야 합니다. 230V 로 표시된 전동공구는 220V에서도 작동이 가능합니다.

전원 스위치 작동

전동공구의 전원을 켜려면 전원 스위치 (2) 를 누르십시오.

전원 스위치 (2) 를 잠금 상태로 두려면 전원 스위치를 누른 상태로 잠금 버튼 (3) 을 위로 미십시오.

전동공구의 전원을 끄려면 전원 스위치 (2) 에서 손을 떼십시오. 전원 스위치 (2) 가 잠긴 상태에서는 먼저 전원 스위치를 눌렀다가 손을 떼십시오.

공기량 조절하기

조정 다이얼 (4) 을 돌려 원하는 공기량을 조절하십시오.

- 시계 방향으로 회전: 공기량 높이기
- 시계 반대 방향으로 회전: 공기량 낮추기

사용 방법

송풍 작어 도중 공기 흡입구 (9) 에 불순물이 흡입되지 않도록 유의하십시오.

반드시 먼지 주머니를 사용하여 흡입하십시오.

유리 조각이나 뜨거운 축 또는 금속 칩 등 모서리가 날카롭거나 뜨거운 재질이 흡입되지 않게 하십시오.

흡입할 때 정기적으로 먼지 주머니를 비우십시오. 환경 규정에 맞게 쓰레기를 처리하도록 하십시오.

보수 정비 및 서비스

보수 정비 및 유지

- ▶ 전동공구를 보수 정비하기 전에 반드시 콘센트에서 전원 플러그를 빼십시오.
- ▶ 안전하고 올바른 작동을 위하여 전동공구와 전동공구의 통풍구를 항상 깨끗이 하십시오.

연결 코드를 교환해야 할 경우 안전을 기하기 위해 보쉬사나 보쉬 지정 전동공구 서비스 센터에 맡겨야 합니다.

카본 브러시 교환하기(그림 C 참조)

약 2-3개월마다 카본 브러시의 길이를 확인해 보고, 필요한 경우 양쪽 카본 브러시를 교환해 주십시오. 반드시 양쪽 카본 브러시를 동시에 교환해 주어야 합니다!

지침: 보쉬사를 통해 판매되며, 귀하의 제품에 맞춰 나온 카본 브러시만 사용하십시오.

- 적합한 스크류 드라이버를 이용해 캡 (6) 을 푸십시오.
- 스프링 압력이 있는 카본 브러시 (10) 를 교환한 후 캡에 다시 나사를 체결하십시오.

카본 브러시를 교환해야 하는 경우: 카본 브러시의 넓은 쪽 표면에 선이나 점으로 된 선이 보입니다. 양쪽 카본 브러시 중 하나가 이 선까지 마모된 경우, 전기자가 손상되는 것을 방지하기 위해 양쪽 카본 브러시를 즉시 교환해 주어야 합니다.

AS 센터 및 사용 문의

AS 센터에서는 귀하 제품의 수리 및 보수정비, 그리고 부품에 관한 문의를 받고 있습니다. 대체 부품에 관한 분해 조립도 및 정보는 인터넷에서도 찾아 볼 수 있습니다 - www.bosch-pt.com

보쉬 사용 문의 팀에서는 보쉬의 제품 및 해당 액세서리에 관한 질문에 기꺼이 답변드릴 것입니다. 전문 작업자 및 개인 작업자를 위한 인터넷 포털 www.powertool-portal.de도 참조할 수 있습니다.

문의나 대체 부품 주문 시에는 반드시 제품 네임 플레이트에 있는 10자리의 부품번호를 알려 주십시오.

콜센터
080-955-0909

처리

기기화 액세서리 및 포장 등은 환경 친화적인 방법으로 재활용 할 수 있도록 분류하십시오.



전동공구를 가정용 쓰레기로 처리하지 마십시오!

ไทย

คำเตือนเพื่อความปลอดภัย

คำเตือนเพื่อความปลอดภัยทั่วไปในการใช้เครื่องมือไฟฟ้า

คำเตือน อ่านคำเตือนเพื่อความปลอดภัยและคำสั่งทั้งหมด การไม่ปฏิบัติตามคำเตือนและคำสั่งอาจเป็นสาเหตุใหญ่ถูกไฟฟ้าดูด เกิดไฟไหม้ และ/หรือได้รับบาดเจ็บอย่างร้ายแรง

เก็บรักษาคำเตือนและคำสั่งทั้งหมดสำหรับเปิดอ่านในภายหลัง

คำว่า "เครื่องมือไฟฟ้า" ในคำเตือนหมายถึง เครื่องมือไฟฟ้าของทานที่ทำงานด้วยพลังงานไฟฟ้าจากแหล่งจ่ายไฟหลัก (มีสายไฟฟ้า) และเครื่องมือไฟฟ้าที่ทำงานด้วยพลังงานไฟฟ้าจากแบตเตอรี่ (ไร้สาย)

ความปลอดภัยในสถานที่ทำงาน

- ▶ **รักษาสถานที่ทำงานให้สะอาดและมีไฟส่องสว่างดี** สถานที่ที่มีมืดหรือกรงรังนำมาซึ่งอุบัติเหตุ
- ▶ **อย่าใช้เครื่องมือไฟฟ้าทำงานในสภาพบรรยากาศที่จุดติดไฟได้ เช่น ในที่ที่มีของเหลวไวไฟ ก๊าซ หรือฝุ่น** เมื่อใช้เครื่องมือไฟฟ้าจะเกิดประกายไฟซึ่งอาจจุดฝุ่นหรือไอให้ลุกเป็นไฟได้
- ▶ **ขณะใช้เครื่องมือไฟฟ้าทำงาน ต้องกั้นเด็กและผู้ยืนดูให้ออกห่าง** การหันเหความสนใจอาจทำให้ท่านขาดการควบคุมเครื่องได้

ความปลอดภัยเกี่ยวกับไฟฟ้า

- ▶ **ปลั๊กของเครื่องมือไฟฟ้าต้องเหมาะสมพอดีกับเต้าเสียบ** อย่าตัดแปลงปลั๊กไม่ว่าในลักษณะใดๆ อย่างเด็ดขาด อย่าใช้ปลั๊กพวงต่อใดๆ กับเครื่องมือไฟฟ้าที่มีสายดิน ปลั๊กที่ไม่ตัดแปลงและเต้าเสียบที่เข้ากันช่วยลดความเสี่ยงจากการถูกไฟฟ้าดูด
- ▶ **หลีกเลี่ยงอย่าให้ร่างกายสัมผัสกับพื้นผิวที่ต่อสายดินหรือลงกราวด์ไว้ เช่น ท่อ เครื่องทำความร้อน เตา และตู้เย็น** จะเสี่ยงอันตรายจากการถูกไฟฟ้าดูดมาก ขึ้นหากกระแสไฟฟ้าวิ่งผ่านร่างกายของท่านลงดิน
- ▶ **อย่าให้เครื่องมือไฟฟ้าถูกฝุ่นหรืออยู่ในสภาพเปียกชื้น** หากน้ำเข้าในเครื่องมือไฟฟ้า จะเพิ่มความเสี่ยงจากการถูกไฟฟ้าดูด
- ▶ **อย่าใช้สายไฟฟ้าในทางที่ผิด** อย่าใช้สายไฟฟ้าเพื่อยก ดึง หรือถอดปลั๊กเครื่องมือไฟฟ้า กับสายไฟฟ้าออกจากความร้อน น้ำมัน ขอบแหลมคม หรือชิ้นส่วนที่เคลื่อนที่ สายไฟฟ้าที่ชำรุดหรือพันกันยุ่งเพิ่มความเสียหายจากการถูกไฟฟ้าดูด
- ▶ **เมื่อใช้เครื่องมือไฟฟ้าทำงานกลางแจ้ง ให้ใช้สายไฟ** ต่อที่เหมาะสมสำหรับการใช้งานกลางแจ้ง การใช้สายไฟต่อที่เหมาะสมสำหรับงานกลางแจ้งช่วยลดอันตรายจากการถูกไฟฟ้าดูด
- ▶ **หากไม่สามารถหลีกเลี่ยงการใช้เครื่องมือไฟฟ้าทำงาน** ในสถานที่เปียกชื้นได้ ให้ใช้สวิตช์ตัดวงจรเมื่อเกิดการรั่วไหลของไฟฟ้าจากสายดิน

(RCD) การใช้สวิตช์ตัดวงจรเมื่อเกิดการรั่วไหลของไฟฟ้าจากสายดินช่วยลดความเสี่ยงต่อการถูกไฟฟ้าดูด

ความปลอดภัยของบุคคล

- ▶ ท่านต้องอยู่ในสภาพเตรียมพร้อม ระวังในสิ่งที่ท่านกำลังทำอยู่ และมีสติขณะใช้เครื่องมือไฟฟ้าทำงาน อย่าใช้เครื่องมือไฟฟ้าขณะที่ท่านกำลังเหนื่อยหรืออยู่ภายใต้การครอบงำของฤทธิ์ของยาเสพติด แอลกอฮอล์ และยา เมื่อใช้เครื่องมือไฟฟ้าทำงานในชั่วโมงที่ท่านขาดความเอาใจใส่อาจทำให้บุคคลบาดเจ็บอย่างรุนแรงได้
- ▶ ใช้อุปกรณ์ปกป้องร่างกาย สวมแว่นตาป้องกันเสมอ อุปกรณ์ปกป้อง เช่น หนากาสนก้นฝุ่น รองเท้านก้นหิน หมวกแข็ง หรือประคบหูกันเสียงดัง ที่เลือกใช้ตามความเหมาะสมกับสถานการณ์การทำงาน สามารถลดอันตรายต่อบุคคลได้
- ▶ ป้องกันการติดเครื่องโดยไม่ตั้งใจ ตรวจสอบให้แน่ใจว่าสวิตช์อยู่ในตำแหน่งปิดก่อนเชื่อมต่อเข้ากับแหล่งจ่ายไฟ และ/หรือเบรกเกอร์หลัก ยกหรือถือเครื่องมือการถือเครื่องโดยใช้นิ้วที่สวิตช์ หรือเสียบปลั๊กไฟฟ้าขณะที่สวิตช์เปิดอยู่ อาจนำไปสู่อุบัติเหตุที่ร้ายแรงได้
- ▶ นำเครื่องมือปรับแต่งหรือประแจปากตายออกก่อนเปิดสวิตช์เครื่องมือไฟฟ้า เครื่องมือหรือประแจปากตายที่วางอยู่ใกล้กับส่วนของเครื่องที่กำลังหมุนจะทำให้บุคคลบาดเจ็บได้
- ▶ อย่าเอื้อมไกลเกินไป ตั้งเท้าขึ้นที่มั่นคงและวางน้ำหนักให้สมดุลตลอดเวลา ในลักษณะที่ท่านสามารถควบคุมเครื่องมือไฟฟ้าในสถานการณ์ที่ไม่คาดคิดได้ดีกว่า
- ▶ แต่งกายอย่างเหมาะสม อย่านำเสื้อผ้าหลวมหรือสวมเครื่องประดับ เอาหมวก เสื้อผ้า และถุงมือ ออกห่างจากชิ้นส่วนที่กำลังหมุน เสื้อผ้าหลวม เครื่องประดับ และผมยาวอาจเข้าไปติดในส่วนของเครื่องที่กำลังหมุนได้
- ▶ หากเครื่องมือไฟฟ้ามีข้อเชื่อมต่อกับเครื่องดูดฝุ่นหรือเครื่องเก็บผง ให้ตรวจสอบให้แน่ใจว่าได้เชื่อมต่อและใช้งานอย่างถูกต้อง การใช้อุปกรณ์ดูดฝุ่นช่วยลดอันตรายที่เกิดจากฝุ่นได้

การใช้และการดูแลรักษาเครื่องมือไฟฟ้า

- ▶ อย่างสม่ำเสมอ ตรวจสอบเครื่องมือไฟฟ้า ใช้เครื่องมือไฟฟ้าที่ถูกต้องตรงตามลักษณะงานของท่าน เครื่องมือไฟฟ้าที่ถูกดัดแปลงจะทำงานได้ดีกว่าและปลอดภัยกว่าในระดับสมรรถภาพที่ออกแบบไว้
- ▶ อย่าใช้เครื่องมือไฟฟ้าถ้าสวิตช์ไม่สามารถเปิดปิดได้ เครื่องมือไฟฟ้าที่ไม่สามารถควบคุมการเปิดปิดด้วยสวิตช์ได้ เป็นเครื่องมือไฟฟ้าที่ไม่ปลอดภัยและต้องส่งซ่อมแซม
- ▶ ก่อนปรับแต่งเครื่อง เปลี่ยนอุปกรณ์ประกอบ หรือเก็บเครื่องมือไฟฟ้าเข้าที่ ต้องถอดปลั๊กไฟออกจากแหล่งจ่ายไฟ และ/หรือถอดแบตเตอรี่ออกจากเครื่องมือไฟฟ้า มาตรการป้องกันเพื่อความปลอดภัยนี้ช่วยลดความเสี่ยงจากการติดเครื่องโดยไม่ตั้งใจ
- ▶ เมื่อเลิกใช้งานเครื่องมือไฟฟ้า ให้เก็บเครื่องมือไว้ในที่ที่เด็กหยิบไม่ถึง และไมอนุญาตให้บุคคลที่ไม่คุ้นเคยกับเครื่องหรือบุคคลที่ไม่ได้อ่านคำแนะนำเหล่านี้ใช้เครื่อง

เครื่องมือไฟฟ้าเป็นของอันตรายหากตกอยู่ในมือของผู้ใช้ที่ไม่ได้รับการฝึกฝน

- ▶ บำรุงรักษาเครื่องมือไฟฟ้า ตรวจสอบชิ้นส่วนที่เคลื่อนที่ว่าวางไม่ตรงแนวหรือติดขัดหรือไม่ ตรวจสอบการแตกหักของชิ้นส่วนและสภาพอินไดที่อาจมีผลต่อการทำงานของเครื่องมือไฟฟ้า หากชำรุดต้องส่งเครื่องมือไฟฟ้าไปซ่อมแซมก่อนใช้งาน อุบัติเหตุหลายอย่างเกิดขึ้นเนื่องจากดูแลรักษาเครื่องมือไม่ดีพอ
- ▶ รักษาเครื่องมือตัดให้คมและสะอาด หากบำรุงรักษาเครื่องมือที่มีขอบตัดแหลมคมอย่างถูกต้องจะสามารถตัดได้ลื่นไม่ติดขัดและควบคุมได้ง่ายกว่า
- ▶ ใช้เครื่องมือไฟฟ้า อุปกรณ์ประกอบ เครื่องมือ และอุปกรณ์อื่นๆ ตรงตามคำแนะนำเหล่านี้ โดยคำนึงถึงเงื่อนไขการทำงานและงานที่จะทำ การใช้เครื่องมือไฟฟ้าทำงานที่ต่างไปจากวัตถุประสงค์การใช้งานของเครื่อง อาจนำไปสู่สถานการณ์ที่เป็นอันตรายได้

การบริการ

- ▶ ส่งเครื่องมือไฟฟ้าของท่านเข้ารับบริการจากช่างซ่อมที่มีคุณสมบัติเหมาะสม โดยใช้อะไหล่ที่เหมือนกันเท่านั้น ในลักษณะที่ท่านจะแน่ใจได้ว่าเครื่องมือไฟฟ้าอยู่ในสภาพที่ปลอดภัย

คำแนะนำเพื่อความปลอดภัยสำหรับเครื่องเป่าลม

- ▶ อย่าดูดหรือเป่าวัสดุที่เป็นอันตรายต่อสุขภาพ ต. ย. เช่น ฝุ่นจากไม้ปืหรือไม้ไผ่ ฝุ่นของอิฐกรวด ก้อนแอสเบสทอสวัสดุเหล่านี้ถือเป็นสารก่อมะเร็ง
- ▶ อย่าดูดหรือเป่าของเหลวใดๆ หากของเหลวเข้าในมอเตอร์ จะเพิ่มความเสี่ยงต่อการถูกไฟฟ้าดูด
- ▶ อย่าให้เครื่องมือไฟฟ้าถูกฝุ่นหรืออยู่ในสภาพเปียกชื้น หากน้ำเข้าในเครื่องมือไฟฟ้า จะเพิ่มความเสี่ยงจากการถูกไฟฟ้าดูด
- ▶ หากไม่สามารถหลีกเลี่ยงการใช้เครื่องมือไฟฟ้าทำงานในสถานที่เปียกชื้นได้ ให้ใช้สวิตช์ตัดวงจรเมื่อเกิดการรั่วไหลของไฟฟ้าจากสายดิน (RCD) การใช้สวิตช์ตัดวงจรเมื่อเกิดการรั่วไหลของไฟฟ้าจากสายดินช่วยลดความเสี่ยงต่อการถูกไฟฟ้าดูด
- ▶ อย่าใช้เครื่องมือไฟฟ้าที่สายไฟฟ้าชำรุด อย่าสัมผัสสายไฟฟ้าที่ชำรุด และดึงปลั๊กไฟออกจากสายไฟฟ้าที่เกิดชำรุดขณะทำงาน สายไฟฟ้าที่ชำรุดเพิ่มความเสี่ยงต่อการเกิดไฟฟ้าดูด
- ▶ อย่าเคลื่อนย้ายหรือบีบอัดสายไฟฟ้า อย่างดึงสายไฟฟ้าเพื่อปลดปลั๊กไฟจากเตาเสียบหรือเพื่อเคลื่อนย้ายเครื่องมือไฟฟ้า สายไฟฟ้าที่ชำรุดจะเพิ่มความเสี่ยงต่อการถูกไฟฟ้าดูด
- ▶ ถอดปลั๊กไฟออกจากเตาเสียบก่อนทำการปรับแต่งใดๆ ที่เครื่อง เปลี่ยนอุปกรณ์ประกอบ หรือเก็บเครื่องมือไฟฟ้าเข้าที่ มาตรการป้องกันเพื่อความปลอดภัยนี้ช่วยลดความเสี่ยงจากการติดเครื่องโดยไม่ตั้งใจ
- ▶ จัดสถานที่ทำงานให้มีอากาศถ่ายเทที่ดี
- ▶ อย่าปล่อยให้เด็กๆ ใช้เครื่องมือไฟฟ้าโดยไม่ควบคุมดูแล เด็กอาจทำใหตนเองบาดเจ็บได้

- ▶ **สวมอุปกรณ์ป้องกันตัวเพิ่มเติม เช่น แว่นครอบตานิรภัย และหน้ากากป้องกัน** การสวมอุปกรณ์ป้องกันสำหรับเงื่อนโซ่ที่เหมาะสมช่วยลดการสัมผัสสารอันตราย



รายละเอียดผลิตภัณฑ์และข้อมูลจำเพาะ



อ่านคำเตือนเพื่อความปลอดภัยและคำแนะนำทั้งหมด การไม่ปฏิบัติตามคำเตือนและคำสั่งอาจเป็นสาเหตุให้ถูกไฟฟ้าดูด เกิดไฟไหม้และ/หรือได้รับบาดเจ็บอย่างร้ายแรง

กรุณาดูภาพประกอบในส่วนหน้าของคู่มือการใช้งาน

ประโยชน์การใช้งานของเครื่อง

เครื่องมือไฟฟ้า

นี้ใช้สำหรับตัดและผ่าวัสดุที่ไม่เป็นอันตรายต่อสุขภาพ

เครื่องมือไฟฟ้านี้ไม่เหมาะสำหรับตัดหรือผ่าวัสดุไวไฟ เศษโลหะ และวัตถุมีคม เช่น สกรู หรือตะปู

ส่วนประกอบที่แสดงภาพ

ลำดับเลขของส่วนประกอบผลิตภัณฑ์อ้างอิงถึงส่วนประกอบของเครื่องที่แสดงในหน้าภาพประกอบ

- (1) ด้ามจับ
- (2) สวิตช์เปิด-ปิด
- (3) ปุ่มล๊อคให้สวิตช์เปิด-ปิดทำงาน
- (4) ปุ่มหมุนสำหรับควบคุมปริมาณแอม
- (5) ทางลมออก
- (6) ฝาครอบสำหรับแรงดัน
- (7) ทอลม
- (8) ถังเก็บผง
- (9) ทางลมเข้า
- (10) แรงดัน

ข้อมูลทางเทคนิค

เครื่องเป่าลม	GBL 82-270	
หมายเลขสินค้า	3 601 J80 4..	
กำลังไฟฟ้าที่กักดันเข้า	วัตต์	820
ปริมาณแอม	ม. ³ /นาที	4.5
ความดันของลม	มิลลิบาร์	0-72
น้ำหนักตามระเบียบการ EPTA-Procedure 01:2014	กก.	1.8
ระดับความปลอดภัย	□/	

ค่าที่ใช้นี้ใช้ให้กับแรงดันไฟฟ้าอนินอล [U] 230 โวลต์ค่าเหล่านี้อาจเปลี่ยนแปลงไปสำหรับแรงดันไฟฟ้าที่แตกต่างกันและโมเดลที่ผลิตสำหรับเฉพาะประเทศ

การปฏิบัติงาน

- ▶ **ดึงปลั๊กไฟออกจากเต้าเสียบก่อนปรับแต่งเครื่อง**

รูปแบบการทำงาน

การเป่า (ดูภาพประกอบ A)

สำหรับรูปแบบการทำงานการเป่า ให้สวมทอลม (7) เข้าบนทางลมออก (5) ให้แน่นตามเครื่องหมายลูกศร

การดูด (ดูภาพประกอบ B)

สำหรับรูปแบบการทำงานการดูด ให้สวมทอลม (7) เข้าบนทางลมเข้า (9) ให้แน่นตามเครื่องหมายลูกศร

นอกจากนี้ยังต้องสวมถุงเก็บผง (8) เข้าบนทางลมออก (5) เสมอ

การเริ่มต้นปฏิบัติงาน

- ▶ **ให้สังเกตแรงดันไฟฟ้า! แรงดันไฟฟ้าจากแหล่งจ่ายไฟฟ้าต้องมีค่าตรงกับค่าแรงดันไฟฟ้าที่ระบุไว้บนแผ่นป้ายที่กักเครื่อง เครื่องมือไฟฟ้าที่มีเครื่องหมาย 230 โวลท์ สามารถใช้งานกับ 220 โวลท์ ได้โดย**

การเปิด-ปิดเครื่อง

เปิดสวิตช์ เครื่องมือไฟฟ้าโดยกดสวิตช์เปิด-ปิด (2)

ล๊อคสวิตช์เปิด-ปิด (2) โดยกดสวิตช์เปิด-ปิดค้างไว้และกดปุ่มล๊อคสวิตช์เปิด-ปิด (3) เพิ่ม

ปิดสวิตช์ เครื่องมือไฟฟ้าโดยปล่อยนิ้วจากสวิตช์เปิด-ปิด (2) หากสวิตช์เปิด-ปิด (2) ถูกล๊อคอยู่ ให้กดสวิตช์เปิด-ปิดก่อน แล้วจึงปล่อยนิ้ว

การควบคุมการไหลของลม

หมุนปุ่ม (4) เพื่อปรับปริมาณลมที่ต้องการ

- **ตามเข็มนาฬิกา:** เพิ่มปริมาณลม
- **ทวนเข็มนาฬิกา:** ลดปริมาณลม

ข้อแนะนำในการทำงาน

ในระหว่างเป่า ต้องระมัดระวังอย่าให้สิ่งสกปรกใดๆ ถูกดูดเข้าในช่องทางลมเข้า (9)

อย่าดูดโดยไม่สวมถุงเก็บผงอย่างเด็ดขาด

อย่าดูดวัสดุที่มีขอบแหลมคมหรือวัสดุร้อน เช่น เศษแก้ว เศษถ่านร่อนๆ หรือเศษโลหะ

เมื่อดูด ต้องถ่ายถุงเก็บผงเป็นประจำ

ปฏิบัติตามกฎระเบียบเกี่ยวกับสิ่งแวดล้อมเมื่อทิ้งขยะ

การบำรุงรักษาและการบริการ

การบำรุงรักษาและการทำความสะอาด

- ▶ **ดึงปลั๊กไฟออกจากเต้าเสียบก่อนปรับแต่งเครื่อง**

- ▶ **เพื่อให้ทำงานได้อย่างถูกต้องและปลอดภัย ต้องรักษาเครื่องและช่องระบายอากาศให้สะอาดอยู่เสมอ**

เมื่อจำเป็นต้องเปลี่ยนสายไฟฟ้า ให้ส่งเครื่องให้บริษัท บอช หรือศูนย์บริการลูกค้าสำหรับเครื่องมือไฟฟ้า บอช ที่ได้รับมอบ

หมายเหตุการเปลี่ยนให้เพื่อหลีกเลี่ยงอันตรายด้านความปลอดภัย

การเปลี่ยนแปรงถ่าน (คุณภาพประกอบ C)

ตรวจสอบความยาวของแปรงถ่านประมาณทุกๆ 2–3 เดือน และเปลี่ยนแปรงถ่านใหม่ หากจำเป็น อย่าเปลี่ยนแปรงถ่านเพียงแ่งเดียวอย่างเด็ดขาด!

หมายเหตุ: ใช้เฉพาะแปรงถ่านที่ บอช จัดส่งและมีไว้สำหรับผลิตภัณฑ์ของท่านเท่านั้น

- ชั้นสกรูฝาครอบ (6) ออกโดยใช้ไขควงที่เหมาะสม
- เปลี่ยนแปรงถ่านภายใต้แรงดันสปริง (10) และชั้นสกรูฝาครอบกลับเข้าที่เดิม

เกณฑ์การเปลี่ยนแปรงถ่าน: บนพื้นผิวขนาดใหญ่ที่ด้านใดด้านหนึ่งของแปรงถ่านแต่ละแ่งปรากฏเส้นประหรือจุดไขปลาหากแปรงถ่านหนึ่งในสองแ่งถูกใช้ถึงเส้นนี้ ควรเปลี่ยนแปรงถ่านทั้งสองแ่งทันทีเพื่อป้องกันคอมมิวเตเตอร์จากความเสียหายที่อาจเกิดขึ้นได้

การบริการหลังการขายและการให้คำปรึกษาการใช้งาน

ศูนย์บริการหลังการขายของเรายินดีตอบคำถามของท่านที่เกี่ยวกับการบำรุงรักษาและการซ่อมแซมผลิตภัณฑ์รวมทั้งเรื่องอะไหล่ ภาพแยกชิ้นและข้อมูลเกี่ยวกับอะไหล่ยังสามารถดูได้ใน: www.bosch-pt.com

ทีมงานที่ปรึกษาของ บอช ยินดีให้ข้อมูลเกี่ยวกับผลิตภัณฑ์ของเราและอุปกรณ์ประกอบต่างๆ

www.powertool-portal.de เว็บไซต์สำหรับช่างฝีมือและช่างสมัครเล่น

เมื่อต้องการสอบถามและสั่งซื้ออะไหล่ กรุณาแจ้งหมายเลขสินค้า 10 หลักบนแผนป้ายรุ่นของผลิตภัณฑ์ทุกครั้ง

ไทย

ไทย บริษัท โรเบิร์ต บอช จำกัด
เอฟวายโอ เซ็นเตอร์ อาคาร 1 ชั้น 5
เลขที่ 2525 ถนนพระราม 4
แขวงคลองเตย เขตคลองเตย
กรุงเทพฯ 10110
โทร: +66 2012 8888
แฟกซ์: +66 2064 5800
www.bosch.co.th

ศูนย์บริการซ่อมและฝึกอบรม บอช
อาคาร ลาซาลทาวเวอร์ ชั้น G ห้องเลขที่ 2
บานเลขที่ 10/1,1 หมู่ 16
ถนนศรีนครินทร์
ตำบลบางแก้ว อำเภอบางพลี
จังหวัดสมุทรปราการ 10540
ประเทศไทย
โทรศัพท์ 02 7587555
โทรสาร 02 7587525

การกำจัดขยะ

เครื่องมือไฟฟ้า อุปกรณ์ประกอบ และหีบห่อ ต้องนำไปแยกประเภทวัสดุเพื่อการรีไซเคิลที่เป็นมิตรต่อสิ่งแวดล้อม



อย่าทิ้งเครื่องมือไฟฟ้าลงในขยะครัวเรือน!

Bahasa Indonesia

Petunjuk Keselamatan

Petunjuk Keselamatan Umum Perkakas Listrik

⚠ PERINGATAN Bacalah semua petunjuk keselamatan dan semua petunjuk penggunaan. Kesalahan dalam menjalankan petunjuk keselamatan dan petunjuk penggunaan dapat mengakibatkan sengatan listrik, kebakaran, dan/atau cedera serius.

Simpanlah semua petunjuk keselamatan dan petunjuk penggunaan untuk acuan di masa mendatang.

Istilah "perkakas listrik" dalam petunjuk keselamatan mengacu pada perkakas listrik yang dioperasikan dengan listrik (menggunakan kabel) atau perkakas listrik yang dioperasikan dengan baterai (tanpa kabel).

Keamanan tempat kerja

- ▶ **Jaga kebersihan dan pencahayaan area kerja.** Area yang berantakan atau gelap dapat memicu kecelakaan.
- ▶ **Jangan mengoperasikan perkakas listrik di lingkungan yang dapat memicu ledakan, seperti adanya cairan, gas, atau debu yang mudah terbakar.** Perkakas listrik dapat memancarkan bunga api yang kemudian mengakibatkan debu atau uap terbakar.
- ▶ **Jauhkan dari jangkauan anak-anak dan pengamat saat mengoperasikan perkakas listrik.** Gangguan dapat menyebabkan hilangnya kendali.

Keamanan listrik

- ▶ **Steker perkakas listrik harus sesuai dengan stopkontak. Jangan pernah memodifikasi steker. Jangan menggunakan steker adaptor bersama dengan perkakas listrik yang terhubung dengan sistem grounding.** Steker yang tidak dimodifikasi dan stopkontak yang cocok akan mengurangi risiko sengatan listrik.
- ▶ **Hindari kontak badan dengan permukaan yang terhubung dengan sistem grounding, seperti pipa, radiator, kompor, dan lemari es.** Terdapat peningkatan risiko terjadinya sengatan listrik jika badan Anda terhubung dengan sistem grounding.
- ▶ **Perkakas listrik tidak boleh terpapar hujan atau basah.** Air yang masuk ke dalam perkakas listrik menambah risiko terjadinya sengatan listrik.
- ▶ **Jangan menyalahgunakan kabel. Jangan gunakan kabel untuk membawa, menarik, atau melepas steker perkakas listrik. Jauhkan kabel dari panas, minyak, tepi yang tajam, atau komponen yang bergerak.** Kabel listrik yang rusak atau tersangkut menambah risiko terjadinya sengatan listrik.
- ▶ **Saat mengoperasikan perkakas listrik di luar ruangan, gunakan kabel ekstensi yang sesuai untuk penggunaan di luar ruangan.** Penggunaan kabel yang

cocok untuk pemakaian di luar ruangan mengurangi risiko terjadinya sengatan listrik.

- ▶ **Jika perkakas listrik memang harus dioperasikan di tempat yang lembap, gunakan pemutus arus listrik residu (RCD).** Penggunaan RCD akan mengurangi risiko terjadinya sengatan listrik.

Keselamatan personel

- ▶ **Tetap waspada, perhatikan aktivitas yang sedang dikerjakan, dan gunakan akal sehat saat mengoperasikan perkakas listrik. Jangan gunakan perkakas listrik saat mengalami kelelahan atau di bawah pengaruh narkoba, alkohol, atau obat-obatan.** Jika perkakas listrik dioperasikan dengan daya konsentrasi yang rendah, hal tersebut dapat menyebabkan cedera serius.
- ▶ **Gunakan peralatan pelindung diri. Selalu kenakan pelindung mata.** Dengan memakai pakaian dan sarana pelindung, misalnya masker anti debu, sepatu tertutup yang tidak licin, helm pelindung, atau pemalut telinga sesuai dengan pekerjaan yang dilakukan, hal tersebut dapat mengurangi risiko cedera.
- ▶ **Hindari start yang tidak disengaja. Pastikan switch berada di posisi off sebelum perkakas listrik dihubungkan ke sumber daya listrik dan/atau baterai, diangkat, atau dibawa.** Membawa perkakas listrik dengan jari menempel pada tombol atau perkakas listrik dalam keadaan hidup dapat memicu kecelakaan.
- ▶ **Singkirkan kunci penyetel atau kunci pas sebelum menghidupkan perkakas listrik.** Perkakas atau kunci pas yang masih menempel pada komponen perkakas listrik yang berputar dapat menyebabkan cedera.
- ▶ **Jangan melampaui batas. Berdirilah secara mantap dan selalu jaga keseimbangan.** Hal ini akan memberikan kontrol yang lebih baik terhadap perkakas listrik pada situasi yang tak terduga.
- ▶ **Kenakan pakaian dengan wajar. Jangan mengenakan perhiasan atau pakaian yang longgar. Jauhkan rambut, pakaian, dan sarung tangan dari bagian-bagian perkakas yang bergerak.** Pakaian yang longgar, rambut panjang atau perhiasan dapat tersangkut dalam bagian perkakas yang bergerak.
- ▶ **Jika disediakan perangkat untuk sambungan pengisapan debu dan alat pengumpulan, pastikan perangkat tersebut terhubung dan digunakan dengan benar.** Penggunaan alat pengumpulan dapat mengurangi bahaya yang disebabkan oleh debu.

Penggunaan dan pemeliharaan perkakas listrik

- ▶ **Jangan memaksakan perkakas listrik. Gunakan perkakas listrik yang sesuai untuk pekerjaan yang dilakukan.** Perkakas listrik yang sesuai akan bekerja dengan lebih baik dan aman sesuai tujuan penggunaan.
- ▶ **Jangan gunakan perkakas listrik dengan switch yang tidak dapat dioperasikan.** Perkakas listrik yang switchnya tidak berfungsi dapat menimbulkan bahaya dan harus diperbaiki.

- ▶ **Tariklah steker dari stopkontak dan/atau keluarkan baterai sebelum melakukan penyetelan pada perkakas listrik, penggantian aksesori atau sebelum menyimpan perkakas listrik.** Tindakan keselamatan kerja ini mengurangi risiko perkakas listrik beroperasi secara tiba-tiba.
- ▶ **Jauhkan dan simpan perkakas listrik dari jangkauan anak-anak dan jangan biarkan orang-orang yang tidak mengetahui cara menggunakan perkakas listrik, mengoperasikan perkakas listrik.** Perkakas listrik dapat membahayakan jika digunakan oleh orang-orang yang tidak terlatih.
- ▶ **Rawatlah perkakas listrik. Periksa komponen yang bergerak apabila tidak lurus atau terikat, kerusakan komponen, dan kondisi lain yang dapat mengganggu pengoperasian perkakas listrik. Apabila rusak, perbaiki perkakas listrik sebelum digunakan.** Banyak kecelakaan terjadi karena perkakas listrik tidak dirawat dengan seksama.
- ▶ **Jaga ketajaman dan kebersihan alat.** Alat pemotong dengan pisau pemotong yang tajam dan dirawat dengan baik tidak akan mudah tersangkut dan lebih mudah dikendalikan.
- ▶ **Gunakan perkakas listrik, aksesori, dan komponen perkakas dll sesuai dengan petunjuk ini, dengan mempertimbangkan kondisi kerja dan pekerjaan yang akan dilakukan.** Penggunaan perkakas listrik untuk tujuan berbeda dari fungsinya dapat menyebabkan situasi yang berbahaya.

Servis

- ▶ **Minta teknisi berkualifikasi untuk menyervis perkakas listrik dengan hanya menggunakan suku cadang yang identik.** Dengan demikian, hal ini akan memastikan keamanan perkakas listrik.

Petunjuk keamanan alat pengembus

- ▶ **Jangan gunakan alat untuk mengisap dan meniup bahan-bahan yang membahayakan kesehatan seperti serbuk debu dari kayu ek, kayu beech, bebatuan, dan asbes.** Bahan-bahan tersebut termasuk zat karsinogenik.
- ▶ **Jangan gunakan alat untuk mengisap dan meniupkan cairan.** Masuknya cairan ke dalam alat dapat meningkatkan risiko sengatan listrik.
- ▶ **Perkakas listrik tidak boleh terpapar hujan atau basah.** Air yang masuk ke dalam perkakas listrik menambah risiko terjadinya sengatan listrik.
- ▶ **Jika perkakas listrik memang harus dioperasikan di tempat yang lembap, gunakan pemutus arus listrik residu (RCD).** Penggunaan RCD akan mengurangi risiko terjadinya sengatan listrik.
- ▶ **Jangan gunakan perkakas listrik jika kabelnya rusak. Jangan menyentuh kabel yang rusak dan tariklah steker dari stopkontak jika kabel rusak selama digunakan.** Kabel yang rusak membuat risiko terjadinya kontak listrik menjadi lebih besar.

- ▶ **Kabel jangan sampai tertarik atau tertindih. Jangan menarik kabel saat akan melepas plug dari stopkontak atau menggerakkan perkakas listrik.** Kabel yang rusak meningkatkan risiko terjadinya sengatan listrik.
- ▶ **Lepaskan plug dari stopkontak sebelum menjalankan pengaturan perangkat, Ganti komponen atau simpan perkakas listrik.** Tindakan keselamatan kerja ini mengurangi bahaya perkakas listrik hidup secara tidak disengaja.
- ▶ **Upayakanlah agar ada pertukaran udara di tempat kerja.**
- ▶ **Jangan biarkan anak-anak menggunakan perkakas listrik tanpa pengawasan.** Anak-anak bisa melukai diri sendiri.
- ▶ **Gunakan sarana pelindung pribadi tambahan seperti kacamata pelindung dan masker antidebu.** Memakai sarana pelindung sesuai dengan pekerjaan yang dilakukan dapat mengurangi bahaya yang disebabkan oleh bahan-bahan yang mengancam kesehatan.



Spesifikasi produk dan performa



Bacalah semua petunjuk keselamatan dan petunjuk penggunaan. Kesalahan dalam menjalankan petunjuk keselamatan dan petunjuk penggunaan dapat mengakibatkan kontak listrik, kebakaran, dan/atau luka-luka

yang berat.

Perhatikan ilustrasi yang terdapat pada sisi sampul panduan pengoperasian.

Tujuan penggunaan

Perkakas listrik ini cocok untuk mengisap dan meniup bahan-bahan yang tidak berbahaya bagi kesehatan.

Perkakas listrik **tidak** cocok untuk mengisap dan meniup bahan yang mudah terbakar, serbuk logam, serta benda-benda tajam lainnya seperti sekrup atau paku.

Ilustrasi komponen

Penomoran ilustrasi komponen sesuai dengan gambar alat pengisap pada halaman bergambar.

- (1) Gagang
- (2) Tombol on/off
- (3) Tombol pengunci untuk tombol on/off
- (4) Roda untuk mengatur banyaknya udara
- (5) Outlet udara
- (6) Kap pelindung untuk carbon brush
- (7) Nozel
- (8) Kantung debu

- (9) Outlet udara
- (10) Carbon brush

Data teknis

Alat pengembus	GBL 82-270	
Nomor seri		3 601 J80 4..
Input daya nominal	W	820
Volume udara	m ³ /min	4,5
Tekanan udara	mbar	0-72
Berat sesuai dengan EPTA-Procedure 01:2014	kg	1,8
Klasifikasi keamanan		□/II

Data-data berlaku untuk tegangan nominal [U] 230 V. Pada tegangan yang lebih rendah dan pada model khusus mancanegara data-data ini bisa berlainan.

Penggunaan

- ▶ **Sebelum mulai dengan pekerjaan pada perkakas listrik, tariklah steker dari stopkontak.**

Mode pengoperasian

Meniup (lihat gambar A)

Untuk mode pengoperasian Meniup, pasang nozel (7) dengan kencang sesuai tanda panah ke outlet udara (5).

Mengisap (lihat gambar B)

Untuk mode pengoperasian Mengisap, pasang nozel (7) dengan kencang sesuai tanda panah ke outlet udara (9). Selalu pasang kantong debu (8) ke outlet udara (5).

Cara penggunaan

- ▶ **Perhatikan tegangan listrik! Tegangan jaringan listrik harus sesuai dengan tegangan listrik yang tercantum pada label tipe perkakas listrik. Perkakas listrik dengan daya sebesar 230 V seperti yang diindikasikan pada label dapat juga dioperasikan pada daya 220 V.**

Menghidupkan/mematikan perkakas listrik

Untuk **menghidupkan** perkakas listrik, tekan tombol on/off (2).

Untuk **mengunci** tombol on/off (2), tekan dan tahan tombol pengunci untuk tombol on/off (3).

Untuk **mematikan** perkakas listrik, lepaskan tombol on/off (2). Jika tombol on/off (2) terkunci, tekan terlebih dahulu tombol tersebut, kemudian lepaskan.

Mengatur banyaknya udara

Putar roda (4) untuk mengatur kuantitas udara yang diinginkan:

- **sesuai arah jarum jam:** meningkatkan kuantitas udara
- **berlawanan arah jarum jam:** mengurangi kuantitas udara

Petunjuk pengoperasian

Pastikan outlet udara (9) tidak dapat mengisap kotoran selama proses meniup.

Jangan pernah melakukan pengisapan tanpa menggunakan kantong debu.

Jangan mengisap benda-benda yang tajam atau panas seperti serpihan kaca, abu atau serbuk logam yang panas.

Kosongkan kantong debu secara berkala jika melakukan pengisapan. Jika membuang isi kantong debu, perhatikanlah peraturan-peraturan untuk melindungi lingkungan hidup.

Perawatan dan servis

Perawatan dan pembersihan

- ▶ **Sebelum mulai dengan pekerjaan pada perkakas listrik, tariklah steker dari stopkontak.**
- ▶ **Perkakas listrik dan lubang ventilasi harus selalu dibersihkan agar perkakas dapat digunakan dengan baik dan aman.**

Jika kabel listrik harus diganti, pekerjaan ini harus dilakukan oleh Bosch atau Service Center untuk perkakas listrik Bosch yang resmi, agar keselamatan kerja selalu terjamin.

Mengganti carbon brush (lihat gambar C)

Periksalah panjang carbon brush kira-kira 2–3 bulan sekali, dan jika perlu, ganti kedua carbon brush.

Jangan pernah hanya mengganti satu carbon brush!

Catatan: Hanya gunakan carbon brush yang disediakan oleh Bosch yang cocok untuk produk Anda.

- Buka kap pelindung (6) dengan obeng yang sesuai.
- Ganti carbon brush (10) yang berada di bawah tekanan pegas dan pasang kembali kap pelindung.

Kriteria penggantian carbon brush: garis putus-putus atau titik-titik dapat dikenali pada salah satu sisi permukaan carbon brush yang luas. Jika salah satu carbon brush aus sampai garis ini, kedua carbon brush harus segera digantikan untuk melindungi komutator terhadap kerusakan yang bisa terjadi.

Layanan pelanggan dan konsultasi penggunaan

Layanan pelanggan Bosch menjawab semua pertanyaan Anda tentang reparasi dan perawatan serta tentang suku cadang produk ini. Gambaran teknis (exploded view) dan informasi mengenai suku cadang dapat ditemukan di:

www.bosch-pt.com

Tim konsultasi penggunaan Bosch akan membantu Anda menjawab pertanyaan seputar produk kami beserta aksesorinya.

www.powertool-portal.de, portal internet untuk perajin dan tukang.

Jika Anda hendak menanyakan sesuatu atau memesan suku cadang, selalu sebutkan nomor model yang terdiri atas 10 angka dan tercantum pada label tipe produk.

Indonesia

PT Robert Bosch
Palma Tower 10th Floor

Jalan RA Kartini II-S Kaveling 6
Pondok Pinang, Kebayoran Lama
Jakarta Selatan 12310
Tel.: (021) 3005 5800
Fax: (021) 3005 5801
E-Mail: boschpowertools@id.bosch.com
www.bosch-pt.co.id

Cara membuang

Perkakas listrik, aksesoris, dan kemasan sebaiknya didaur ulang secara ramah lingkungan.



Jangan membuang perkakas listrik ke dalam sampah rumah tangga!

Tiếng Việt

Hướng dẫn an toàn

Cảnh báo Tổng quát Cách sử dụng An toàn Dụng cụ điện cầm tay

⚠ CẢNH BÁO Đọc kỹ mọi cảnh báo an toàn và hướng dẫn. Không tuân thủ mọi cảnh báo và hướng dẫn được liệt kê dưới đây có thể bị điện giật, gây cháy và / hay bị thương tật nghiêm trọng.

Hãy giữ tất cả tài liệu về cảnh báo và hướng dẫn để tham khảo về sau.

Thuật ngữ "dụng cụ điện cầm tay" trong phần cảnh báo là để cập đến sự sử dụng dụng cụ điện cầm tay của bạn, loại sử dụng điện nguồn (có dây cắm điện) hay vận hành bằng pin (không dây cắm điện).

Khu vực làm việc an toàn

- ▶ **Giữ nơi làm việc sạch và đủ ánh sáng.** Nơi làm việc bừa bộn và tối tăm dễ gây ra tai nạn.
- ▶ **Không vận hành dụng cụ điện cầm tay trong môi trường dễ gây nổ, chẳng hạn như nơi có chất lỏng dễ cháy, khí đốt hay rác.** Dụng cụ điện cầm tay tạo ra các tia lửa nên có thể làm rác bén cháy hay bốc khói.
- ▶ **Không để trẻ em hay người đến xem đứng gần khi vận hành dụng cụ điện cầm tay.** Sự phân tâm có thể gây ra sự mất điều khiển.

An toàn về điện

- ▶ **Phích cắm của dụng cụ điện cầm tay phải thích hợp với ổ cắm. Không bao giờ được cài biến lại phích cắm dưới mọi hình thức. Không được sử dụng phích tiếp hợp nối tiếp đất (dây mát).** Phích cắm nguyên bản và ổ cắm đúng loại sẽ làm giảm nguy cơ bị điện giật.
- ▶ **Tránh không để thân thể tiếp xúc với đất hay các vật có bề mặt tiếp đất như đường ống, lò**

sưởi, hàng rào và tủ lạnh. Có nhiều nguy cơ bị điện giật hơn nếu cơ thể bạn bị tiếp hay nối đất.

- ▶ **Không được để dụng cụ điện cầm tay ngoài mưa hay ở tình trạng ẩm ướt.** Nước vào máy sẽ làm tăng nguy cơ bị điện giật.
- ▶ **Không được lạm dụng dây dẫn điện.** Không bao giờ được nắm dây dẫn để xách, kéo hay rút phích cắm dụng cụ điện cầm tay. Không để dây gần nơi có nhiệt độ cao, dầu nhớt, vật nhọn bén và bộ phận chuyển động. Làm hỏng hay cuộn rối dây dẫn làm tăng nguy cơ bị điện giật.
- ▶ **Khi sử dụng dụng cụ điện cầm tay ngoài trời, dùng dây nối thích hợp cho việc sử dụng ngoài trời.** Sử dụng dây nối thích hợp cho việc sử dụng ngoài trời làm giảm nguy cơ bị điện giật.
- ▶ **Nếu việc sử dụng dụng cụ điện cầm tay ở nơi ẩm ướt là không thể tránh được, dùng thiết bị ngắt mạch tự động (RCD) bảo vệ nguồn.** Sử dụng thiết bị ngắt mạch tự động RCD làm giảm nguy cơ bị điện giật.

An toàn cá nhân

- ▶ **Hãy tỉnh táo, biết rõ mình đang làm gì và hãy sử dụng ý thức khi vận hành dụng cụ điện cầm tay.** Không sử dụng dụng cụ điện cầm tay khi đang mệt mỏi hay đang bị tác động do chất gây nghiện, rượu hay được phẩm gây ra. Một thoáng mất tập trung khi đang vận hành dụng cụ điện cầm tay có thể gây thương tích nghiêm trọng cho bản thân.
- ▶ **Sử dụng trang bị bảo hộ cá nhân.** Luôn luôn đeo kính bảo vệ mắt. Trang bị bảo hộ như khẩu trang, giày chống trượt, nón bảo hộ, hay dụng cụ bảo vệ tai khi được sử dụng đúng nơi đúng chỗ sẽ làm giảm nguy cơ thương tật cho bản thân.
- ▶ **Phòng tránh máy khởi động bất ngờ.** Bảo đảm công tắc máy ở vị trí tắt trước khi cắm vào nguồn điện và/hay lắp pin vào, khi nhấn máy lên hay khi mang xách máy. Ngáng ngón tay vào công tắc máy để xách hay kích hoạt dụng cụ điện cầm tay khi công tắc ở vị trí mở dễ dẫn đến tai nạn.
- ▶ **Lấy mọi chìa hay khóa điều chỉnh ra trước khi mở điện dụng cụ điện cầm tay.** Khóa hay chìa còn gắn dính vào bộ phận quay của dụng cụ điện cầm tay có thể gây thương tích cho bản thân.
- ▶ **Không rướn người.** Luôn luôn giữ tư thế đứng thích hợp và thẳng bằng. Điều này tạo cho việc điều khiển dụng cụ điện cầm tay tốt hơn trong mọi tình huống bất ngờ.
- ▶ **Trang phục thích hợp.** Không mặc quần áo rộng lủng thụng hay mang trang sức. Giữ tóc, quần áo và găng tay xa khỏi các bộ phận chuyển động. Quần áo rộng lủng thụng, đồ

trang sức hay tóc dài có thể bị cuốn vào các bộ phận chuyển động.

- ▶ **Nếu có các thiết bị đi kèm để nối máy hút bụi và các phụ kiện khác, bảo đảm các thiết bị này được nối và sử dụng tốt.** Việc sử dụng các thiết bị gom hút bụi có thể làm giảm các độc hại liên quan đến bụi gây ra.

Sử dụng và bảo dưỡng dụng cụ điện cầm tay

- ▶ **Không được ép máy.** Sử dụng dụng cụ điện cầm tay đúng loại theo đúng ứng dụng của bạn. Dụng cụ điện cầm tay đúng chức năng sẽ làm việc tốt và an toàn hơn theo đúng tiến độ mà máy được thiết kế.
- ▶ **Không sử dụng dụng cụ điện cầm tay nếu như công tắc không tắt và mở được.** Bất kỳ dụng cụ điện cầm tay nào mà không thể điều khiển được bằng công tắc là nguy hiểm và phải được sửa chữa.
- ▶ **Rút phích cắm ra khỏi nguồn điện và/hay pin ra khỏi dụng cụ điện cầm tay trước khi tiến hành bất kỳ điều chỉnh nào, thay phụ kiện, hay cất dụng cụ điện cầm tay.** Các biện pháp ngăn ngừa như vậy làm giảm nguy cơ dụng cụ điện cầm tay khởi động bất ngờ.
- ▶ **Cất giữ dụng cụ điện cầm tay không dùng tới nơi trẻ em không lấy được và không cho người chưa từng biết dụng cụ điện cầm tay hay các hướng dẫn này sử dụng dụng cụ điện cầm tay.** Dụng cụ điện cầm tay nguy hiểm khi ở trong tay người chưa được chỉ cách sử dụng.
- ▶ **Bảo quản dụng cụ điện cầm tay.** Kiểm tra xem các bộ phận chuyển động có bị sai lệch hay kẹt, các bộ phận bị rạn nứt và các tình trạng khác có thể ảnh hưởng đến sự vận hành của máy. Nếu bị hư hỏng, phải sửa chữa máy trước khi sử dụng. Nhiều tai nạn xảy ra do bảo quản dụng cụ điện cầm tay tồi.
- ▶ **Giữ các dụng cụ cất bên và sạch.** Bảo quản đúng cách các dụng cụ cất có cạnh cắt bén làm giảm khả năng bị kẹt và dễ điều khiển hơn.
- ▶ **Sử dụng dụng cụ điện cầm tay, phụ kiện, đầu cài v. v., đúng theo các chỉ dẫn này, hãy lưu ý đến điều kiện làm việc và công việc phải thực hiện.** Sự sử dụng dụng cụ điện cầm tay khác với mục đích thiết kế có thể tạo nên tình huống nguy hiểm.

Bảo dưỡng

- ▶ **Đưa dụng cụ điện cầm tay của bạn đến thợ chuyên môn để bảo dưỡng, chỉ sử dụng phụ tùng đúng chủng loại để thay.** Điều này sẽ đảm bảo sự an toàn của máy được giữ nguyên.

Cảnh báo an toàn dành cho máy thổi

- ▶ **Không hút và thổi các chất có hại cho sức khỏe, ví dụ như bụi gỗ sỏi hoặc bụi gỗ dẻ gai,**

bụi đá, amiăng. Những chất này được coi là chất gây ung thư.

- ▶ **Không hút và thổi chất lỏng.** Chất lỏng thấm vào sẽ làm tăng nguy cơ giật điện.
- ▶ **Không được để dụng cụ điện cầm tay ngoài mưa hay ở tình trạng ẩm ướt.** Nước vào máy sẽ làm tăng nguy cơ bị điện giật.
- ▶ **Nếu việc sử dụng dụng cụ điện cầm tay ở nơi ẩm ướt là không thể tránh được, dùng thiết bị ngắt mạch tự động (RCD) bảo vệ nguồn.** Sử dụng thiết bị ngắt mạch tự động RCD làm giảm nguy cơ bị điện giật.
- ▶ **Không bao giờ được sử dụng máy có dây dẫn bị hỏng.** Không được chạm vào dây dẫn bị hỏng và kéo phích cắm điện nguồn ra trong lúc vận hành mà dây dẫn bị hỏng. Dây dẫn bị hỏng làm tăng nguy cơ bị điện giật.
- ▶ **Không chạy qua hoặc đè bẹp cáp.** Không kéo dây cáp để rút phích khỏi ổ cắm hoặc để di chuyển dụng cụ điện. Dây dẫn bị hỏng làm tăng nguy cơ bị điện giật.
- ▶ **Rút phích cắm ra khỏi nguồn điện trước khi tiến hành bất kỳ điều chỉnh nào, thay phụ kiện, hay cất dụng cụ điện cầm tay.** Các biện pháp ngăn ngừa như vậy làm giảm nguy cơ dụng cụ điện cầm tay khởi động bất ngờ.
- ▶ **Tạo cho nơi làm việc được thông thoáng tốt.**
- ▶ **Không để trẻ em sử dụng dụng cụ điện cầm tay khi không có người lớn giám sát.** Trẻ em có thể tự gây thương tích cho chúng.
- ▶ **Mang trang bị bảo hộ cá nhân bổ sung như kính bảo vệ và mặt nạ phòng độc.** Trang bị các thiết bị bảo hộ thích hợp với hiện trạng lao động để làm giảm sự phơi nhiễm với các chất độc hại.



Mô Tả Sản Phẩm và Đặc Tính Kỹ Thuật



Đọc kỹ mọi cảnh báo an toàn và mọi hướng dẫn. Không tuân thủ mọi cảnh báo và hướng dẫn được liệt kê dưới đây có thể bị điện giật, gây cháy và / hay bị thương tật nghiêm trọng.

Xin lưu ý các hình minh họa trong phần trước của hướng dẫn vận hành.

Sử dụng đúng cách

Máy được thiết kế để hút và thổi các loại vật liệu không gây độc hại đối với sức khỏe con người.

Dụng cụ điện **không** phù hợp để hút và thổi các vật liệu dễ cháy, phoi kim loại và vật sắc như đinh vít hoặc đinh.

Các bộ phận được minh họa

Việc đánh số các đặc điểm của sản phẩm để tham khảo hình minh họa của máy hút bụi trên trang hình ảnh.

- (1) Tay Nắm
- (2) Công tắc Tắt/Mở
- (3) Nút khóa giữ chế độ tự-chạy của công tắc Tắt/Mở
- (4) Núm xoay điều độ khối lượng khí
- (5) Lỗ thoát khí
- (6) Nắp đậy chổi than
- (7) Vòi ống
- (8) Túi chứa bụi
- (9) Lỗ lấy khí
- (10) Chổi than

Thông số kỹ thuật

Máy thổi	GBL 82-270	
Mã số máy		3 601 J80 4..
Công suất vào danh định	W	820
Khối lượng khí	m ³ /min	4,5
Áp suất khí	mbar	0-72
Trọng lượng theo Qui trình EPTA-Procedure 01:2014	kg	1,8
Cấp độ bảo vệ		□/II

Các giá trị đã cho có hiệu lực cho điện thế danh định [U] 230 V. Đối với điện thế thấp hơn và các loại máy dành riêng cho một số quốc gia, các giá trị này có thể thay đổi.

Vận Hành

- ▶ **Trước khi tiến hành bất cứ việc gì trên máy, kéo phích cắm điện nguồn ra.**

Chế độ hoạt động

Thổi (xem hình A)

Để bật chế độ Thổi, hãy cắm chắc đầu phun (7) vào lỗ thoát khí (5) theo vạch mũi tên.

Hút (xem hình B)

Để bật chế độ Hút, hãy cắm chắc đầu phun (7) vào lỗ thoát khí (9) theo vạch mũi tên.

Luôn lắp thêm túi chứa bụi (8) vào lỗ thoát khí (5).

Bắt Đầu Vận Hành

- ▶ **Hãy cẩn thận với nguồn điện! Điện thế nguồn phải đúng với điện thế đã ghi rõ trên nhãn máy. Dụng cụ điện được ghi 230 V cũng có thể được vận hành ở 220 V.**

Bật/Tắt

Để **Bật** dụng cụ điện, bấm công tắc Tắt/Mở (2).

Để **Khóa** công tắc Tắt/Mở (2), hãy bấm giữ công tắc này và bấm thêm nút khóa giữ của công tắc Tắt/Mở (3).

Để **Tắt** dụng cụ điện, hãy nhả công tắc Tắt/Mở (2).

Khi công tắc Tắt/Mở (2) đang khóa, hãy bấm nút này trước sau đó nhả nó ra.

Sự Điều độ Luồng khí

Vặn núm xoay (4), để điều chỉnh luồng khí theo ý muốn:

- **Thuận chiều kim đồng hồ:** Tăng luồng khí
- **Ngược chiều kim đồng hồ:** Giảm luồng khí

Hướng Dẫn Sử Dụng

Lưu ý sao cho lỗ thoát khí (9) không hút phải tạp chất trong khi thổi.

Không bao giờ được hút mà không gắn túi chứa bụi.

Không hút các vật liệu có cạnh sắc hoặc đang nóng như mảnh kính vỡ, tro nóng hoặc bào phoi kim loại.

Khi hút, nên thường xuyên đổ sạch bao đựng bụi. Tuân thủ các qui định về môi trường khi đổ bỏ chất thải.

Bảo Dưỡng và Bảo Quản

Bảo Dưỡng Và Làm Sạch

- ▶ **Trước khi tiến hành bất cứ việc gì trên máy, kéo phích cắm điện nguồn ra.**
- ▶ **Để được an toàn và máy hoạt động đúng chức năng, luôn luôn giữ máy và các khe thông gió được sạch.**

Nếu như cần phải thay dây dẫn điện thì công việc này phải do hãng Bosch, hay một đại lý được Bosch ủy nhiệm thực hiện để tránh gặp sự nguy hiểm do mất an toàn.

Thay chổi than (xem hình C)

Kiểm tra độ dài của chổi than cứ 2–3 tháng một lần, và thay thế cả hai chổi than nếu cần.

Không bao giờ chỉ thay mỗi một chổi than mà thôi!

Lưu ý: Chỉ sử dụng chổi than được cung cấp qua Bosch, phù hợp với sản phẩm của bạn.

- Tháo nắp (6) bằng tuốc-nơ-vít phù hợp.
- Thay chổi than hiện tại (10) dưới áp lực lò xo và bắt vít trở lại cho nắp.

Tiêu chuẩn để thay chổi than: Trên mặt bên lớn của chổi than, có thể nhìn thấy một vạch đứt nét hoặc chấm chấm. Khi một trong hai chổi than đã mòn tận vạch ngang này, nếu thế, ta nên thay cả hai chổi than ngay lập tức để bảo vệ phần ứng, tránh khả năng gây hư hỏng.

Dịch vụ hỗ trợ khách hàng và tư vấn sử dụng

Bộ phận phục vụ hàng sau khi bán của chúng tôi trả lời các câu hỏi liên quan đến việc bảo dưỡng và sửa chữa các sản phẩm cũng như phụ tùng thay thế của bạn. Sơ đồ mô tả và thông tin về phụ tùng thay thế cũng có thể tra cứu theo dưới đây:

www.bosch-pt.com

Đội ngũ tư vấn sử dụng của Bosch sẽ giúp bạn giải đáp các thắc mắc về sản phẩm và phụ kiện.

www.powertool-portal.de, cổng thông tin điện tử cho thợ thủ công và người làm việc vặt.

Trong tất cả các phản hồi và đơn đặt phụ tùng, xin vui lòng luôn luôn nhập số hàng hóa 10 chữ số theo nhãn của hàng hóa.

Việt Nam

CN CÔNG TY TNHH BOSCH VIỆT NAM TẠI TP.HCM

Tầng 14, Ngôi Nhà Đức, 33 Lê Duẩn

Phường Bến Nghé, Quận 1, Thành Phố Hồ Chí Minh

Tel.: (028) 6258 3690

Fax: (028) 6258 3692 - 6258 3694

Hotline: (028) 6250 8555

Email: tuvankhachhang-pt@vn.bosch.com

www.bosch-pt.com.vn

www.baohanhbosch-pt.com.vn

Campuchia

Công ty TNHH Robert Bosch (Campuchia)

Đơn nguyên 8BC, GT Tower, Tầng 08,

Đường 169, Tiệp Khắc Blvd, Sangkat Veal Vong,

Khan 7 Makara, Phnom Penh

VAT TIN: 100 169 511

Tel.: +855 23 900 685

Tel.: +855 23 900 660

www.bosch.com.kh

Sự thải bỏ

Máy, linh kiện và bao bì phải được phân loại để tái chế theo hướng thân thiện với môi trường.



Không được thải bỏ dụng cụ điện vào chung với rác sinh hoạt!

◀ إن لم يكن بالإمكان تجنب تشغيل العدة الكهربائية في الأجواء الرطبة، فاستخدم مفتاح للوقاية من التيار المتخلف. إن استخدام مفتاح للوقاية من التيار المتخلف يقلل خطر الصدمات الكهربائية.

أمان الأشخاص

◀ كن يقظا وانتبه إلى ما تفعله واستخدم العدة الكهربائية بتعقل. لا تستخدم عدة كهربائية عندما تكون متعبا أو عندما تكون تحت تأثير المخدرات أو الكحول أو الأدوية. عدم الانتباه للحظة واحدة عند استخدام العدة الكهربائية قد يؤدي إلى إصابات خطيرة.

◀ قم بارتداء تجهيزات الحماية الشخصية. وارتد دائما نظارات واقية. إن ارتداء تجهيزات الحماية الشخصية، كقناع الوقاية من الغبار وأحذية الأمان الواقية من الانزلاق والخوذ أو واقية الأذنين، حسب ظروف استعمال العدة الكهربائية، يقلل من خطر الإصابة بجروح.

◀ تجنب التشغيل بشكل غير مقصود. تأكد من كون العدة الكهربائية مطفأة قبل توصيلها بالتيار الكهربائي و/أو بالمركم، وقبل رفعها أو حملها. إن كنت تضع إصبعك على المفتاح أثناء حمل العدة الكهربائية أو إن وصلت الجهاز بالشبكة الكهربائية بينما المفتاح على وضع التشغيل، فقد يؤدي هذا إلى وقوع الحوادث.

◀ انزع أي أداة ضبط أو مفتاح ربط قبل تشغيل العدة الكهربائية. قد يؤدي ترك أداة أو مفتاح في جزء دوار من الجهاز إلى الإصابة بجروح.

◀ تجنب أوضاع الجسم غير الطبيعية. قف بأمان وحافظ على توازنك دائما. سيسمح لك ذلك بالتحكم في الجهاز بشكل أفضل في المواقف غير المتوقعة.

◀ قم بارتداء ثياب مناسبة. لا ترتد الثياب الفضفاضة أو الحلي المتدلية. حافظ على إبقاء الشعر والثياب والقفازات على بعد عن أجزاء الجهاز المتحركة. قد تتشابك الثياب الفضفاضة والملى والشعر الطويل بالأجزاء المتحركة.

◀ في حالة التزود بتجهيزات شطف وتجميع الغبار، فتأكد من أنها موصلة ومستخدمة بشكل سليم. قد يقلل استخدام تجهيزات شطف الغبار من المخاطر الناتجة عن الغبار.

استخدام العدة الكهربائية والعناية بها

◀ لا تفرط في تحميل الجهاز. استخدم لتنفيذ أشغالك العدة الكهربائية المخصصة لذلك. استخدام العدة الكهربائية الصحيحة سنجز العمل بصورة أفضل وأكثر أمانا بالمعدل الذي صممت من أجله.

◀ لا تستخدم العدة الكهربائية إن كان مفتاح تشغيلها معطلا. العدة الكهربائية التي لم يعد من الممكن التحكم بها عن طريق مفتاح التشغيل والإطفاء تعتبر خطرة ويجب أن يتم إصلاحها.

◀ فصل القابس من المقبس و/أو انزع المركم من العدة الكهربائية قبل إجراء أي أعمال الضبط على الجهاز وقبل استبدال التوابع أو قبل تخزين العدة الكهربائية. تقلل هذه الإجراءات وقائية من خطر تشغيل العدة الكهربائية بشكل غير مقصود.

عربي

إرشادات الأمان

تحذيرات أمان عامة للعدد الكهربائية

⚠ تحذير

اقرأ جميع تحذيرات الأمان والتعليمات. عدم مراعاة تحذيرات الأمان وعدم اتباع التعليمات قد يؤدي إلى الصدمات الكهربائية و/أو نشوب حرائق و/أو الإصابة بجروح خطيرة.

احتفظ بجميع تحذيرات الأمان والتعليمات للرجوع إليها فيما بعد.

يقصد بمصطلح «العدة الكهربائية» المستخدم في تحذيرات الأمان، العدد الكهربائي الموصلة بالشبكة الكهربائية (بواسطة كابل الشبكة الكهربائية) وأيضا العدد الكهربائي المشغلة بمركم (دون كابل الشبكة الكهربائية).

الأمان بمكان العمل

◀ احرص على أن يكون مكان العمل نظيفا ومضاء بشكل جيد. الفوضى في مكان العمل ونطاقات العمل غير المضاء قد تؤدي إلى وقوع الحوادث.

◀ لا تشغيل العدة الكهربائية في أجواء معرضة لخطر الانفجار، مثل الأماكن التي تتوفر فيها السوائل أو الغازات أو الأبخرة القابلة للاشتعال. العدد الكهربائي تولد شررا قد يتسبب في إشعال الأبخرة والأبخرة.

◀ احرص على بقاء الأطفال وغيرهم من الأشخاص بعيدا عند تشغيل العدة الكهربائية. تشتيت الانتباه قد يتسبب في فقدان السيطرة على الجهاز.

الأمان الكهربائي

◀ يجب أن تكون قوالب العدد الكهربائية متلائمة مع المقابس. لا يجوز تعديل القابس بأي صورة من الصور. لا تستعمل القوالب المهائية مع العدد الكهربائية المؤرضة (ذات طرف أرضي).

تقلل القوالب التي لم يتم تعديلها والمقابس الملائمة من خطر الصدمات الكهربائية.

◀ تجنب ملامسة جسمك للأسطح المؤرضة كالأبواب والمبردات والمواقد أو التلجيات. يزداد خطر الصدمات الكهربائية عندما يكون جسمك مؤرض أو موصل بالأرضي.

◀ أبعد العدد الكهربائي عن الأمطار أو الرطوبة. يزداد خطر الصدمات الكهربائية إن تسرب الماء إلى داخل العدة الكهربائية.

◀ لا تسئ استعمال الكابل. لا تستخدم الكابل في حمل العدة الكهربائية أو سحبها أو سحب القابس من المقبس. احرص على إبعاد الكابل عن الحرارة والزيت والمواف المادية أو الأجزاء المتحركة. تزيد الكابلات التالفة أو المتشابكة من خطر الصدمات الكهربائية.

◀ عند استخدام العدة الكهربائية خارج المنزل اقتصر على استخدام كابلات التمديد الصالحة للاستعمال في الأماكن المكشوفة. يقلل استعمال كابل تمديد مخصص للاستعمال في الأماكن المكشوفة من خطر الصدمات الكهربائية.

- إجراءات الاحتياط هذه تشغيل العدة الكهربائية بشكل غير مقصود.
- ◀ قم بتوفير تهوية مناسبة في مكان العمل.
- ◀ لا تدع الأطفال يستخدمون العدة الكهربائية دون مراقبة. الأطفال قد يصيبوا أنفسهم بجروح.
- ◀ احرص على ارتداء تجهيزات الحماية الشخصية مثل النظارة الواقية وقناع حماية التنفس. إن ارتداء تجهيزة الوقاية الشخصية بظروف معينة يقلل التعرض للمواد الخطيرة.



وصف المنتج والأداء

- اقرأ جميع إرشادات الأمان والتعليمات. ارتكاب الأخطاء عند تطبيق إرشادات الأمان والتعليمات، قد يؤدي إلى حدوث صدمات الكهربائية أو إلى نشوب الحرائق و/أو الإصابة بجروح خطيرة.
- يرجى الرجوع إلى الصور الموجودة في الجزء الأول من دليل التشغيل.



الاستعمال المطابق للتعليمات

- العدة الكهربائية مناسبة لإزالة الخامات غير الضارة بالصحة عن طريق الشفط و النفخ.
- العدة الكهربائية غير مناسبة لإزالة المواد القابلة للاشتعال والنشارة المعدنية والأشياء المادية مثل اللوالب والمسامير عن طريق الشفط أو النفخ.

الأجزاء المصورة

- تستند أرقام الأجزاء المصورة إلى صور الشافطة على صفحات الرسوم التخطيطية.

- (1) مقبض
- (2) مفتاح التشغيل والإطفاء
- (3) زر تثبيت مفتاح التشغيل والإطفاء
- (4) عجلة ضبط لضبط كمية الهواء
- (5) مخرج الهواء
- (6) أغطية فرش الفحم
- (7) منفث
- (8) كيس الغبار
- (9) مدخل الهواء
- (10) فرش فحمية

- ◀ احتفظ بالعدد الكهربائية التي لا يتم استخدامها بعيدا عن متناول الأطفال. لا تسمح باستخدام العدة الكهربائية لمن لا خبرة له بها أو لمن لم يقرأ تلك التعليمات. العدد الكهربائية خطيرة إن تم استخدامها من قبل أشخاص دون خبرة.

- ◀ احرص على صيانة العدد الكهربائية. تأكد أن أجزاء الجهاز المتحركة مركبة بشكل سليم وغير مستعصية الحركة، وتفحص ما إن كانت هناك أجزاء مكسورة أو في حالة تؤثر على سلامة أداء العدة الكهربائية. ينبغي إصلاح هذه الأجزاء التالفة قبل إعادة تشغيل الجهاز. الكثير من الحوادث مصدرها العدد الكهربائية التي تتم صيانتها بشكل رديء.

- ◀ احرص على إبقاء عدد القطع نظيفة وحادة. إن عدد القطع ذات حواف القطع المادية التي تم صيانتها بعناية تتكلم بشكل أقل ويمكن توجيهها بشكل أيسر.

- ◀ استخدم العدد الكهربائية والتوابع وريش الشغل إلخ. وفقا لهذه التعليمات. تراعى أثناء ذلك ظروف الشغل والعمل المراد تنفيذها. استخدام العدد الكهربائية لغير الأعمال المخصصة لأجلها قد يؤدي إلى حدوث الحالات الخطيرة.

الخدمة

- ◀ احرص على إصلاح عدتك الكهربائية فقط بواسطة الفنيين المتخصصين وباستعمال قطع الغيار الأصلية فقط. يضمن ذلك المحافظة على أمان الجهاز.

ملاحظات الأمان للمنفاخ

- ◀ لا تقم بشفط خامات مضرّة بالصحة أو نفخها، مثل غبار خشب الزان أو خشب البلوط أو غبار الحجارة أو الأسبستوس. حيث تعتبر هذه المواد من مسببات السرطان.

- ◀ لا تقم بشفط مواد سائلة أو نفخها. يزداد خطر التعرض لصدمة كهربائية في حالة تسرب السوائل.
- ◀ أبعد العدد الكهربائية عن الأمطار أو الرطوبة. يزداد خطر الصدمات الكهربائية إن تسرب الماء إلى داخل العدة الكهربائية.

- ◀ إن لم يكن بالإمكان تجنب تشغيل العدة الكهربائية في الأجواء الرطبة، فاستخدم مفتاح للوقاية من التيار المتخلف. إن استخدام مفتاح للوقاية من التيار المتخلف يقلل خطر الصدمات الكهربائية.

- ◀ لا تستعمل العدة الكهربائية إن كان الكابل الكهربائي تالف. لا تلمس الكابل التالف واسحب قابس الشبكة الكهربائية إن أصيب الكابل بتلف أثناء مزاولته الشغل. تزيد الكابلات الكهربائية التالفة من خطر الإصابة بصدمة كهربائية.

- ◀ لا تقم بدس الكابل أو تعرضه للانحصار. لا تسحب الكابل بغرض فصل القابس من المقبس أو تحريك العدة الكهربائية. تزيد الكابلات الكهربائية التالفة من خطر التعرض لصدمة كهربائية.

- ◀ قم بسحب القابس من المقبس قبل القيام بتغيير أوضاع ضبط الجهاز، أو تغيير الأجزاء الملحقة، أو وضع العدة الكهربائية جانبا. تمنع

البيانات الفنية

المروحة	GBL 82-270
رقم الصنف	3 601 J80 4..
قدرة الدخل الاسمية	واط 820
حجم الهواء	م ³ /دقيقة 4,5
ضغط الهواء	مليبار 72-0
الوزن حسب EPTA-Procedure	كجم 1,8
01:2014	
فئة الحماية	II/□

تسري البيانات على جهد اسمي [U] يبلغ 230 فلت. قد تختلف تلك البيانات حسب اختلاف الجهد والطرزات الخاصة بكل دولة.

بدء التشغيل

يراعى جهد الشبكة الكهربائية! يجب أن يتطابق جهد منبع التيار مع البيانات المذكورة على لوحة صنع العدة الكهربائية. يمكن أن يتم تشغيل العدد الكهربائية المميزة بعلامة 230 فلت في مقبس 220 فلت أيضا.

التشغيل والإيقاف

لغرض تشغيل العدة الكهربائية، اضغط على مفتاح التشغيل/الإطفاء (2).

لغرض تثبيت مفتاح التشغيل والإطفاء (2) احتفظ به مضغوطة، واضغط بشكل إضافي على زر تثبيت مفتاح التشغيل والإطفاء (3).

لغرض إطفاء العدة الكهربائية، اترك مفتاح التشغيل والإطفاء (2). في حالة ثبات زر التشغيل والإطفاء (2)، اضغط عليه أولاً ثم اتركه بعد ذلك.

ضبط كمية الهواء

أدر طارة الضبط (4)، لضبط كمية الهواء المرغوبة:

- في اتجاه عقارب الساعة: زيادة كمية الهواء
- عكس اتجاه عقارب الساعة: تقليل كمية الهواء

إرشادات العمل

احرص على عدم السماح لمداخل الهواء (9) بشفط الأوساخ أثناء عملية النفخ.

لا تقوم بعملية الشفط بلا كيس الغبار إطلاقاً.

لا تقم بشفط مواد ساخنة أو ذات حواف حادة، مثل شظايا الزجاج المكسور أو الرماد الساخن أو النشارة المعدنية.

أفرغ كيس الغبار بشكل منتظم عند إجراء أعمال الشفط. تراعى أحكام حماية البيئة عند التخلص من النفايات.

التشغيل

اسحب القابس من مقبس الشبكة الكهربائية قبل إجراء أي عمل على العدة الكهربائية.

طرق التشغيل

النفخ (انظر الصورة A)

بالنسبة لنوع التشغيل النفخ قم بتركيب الفوهة (7) وفقاً لعلامة السهم على مخرج الهواء بإحكام (5).

الشفط (انظر الصورة B)

بالنسبة لنوع التشغيل الشفط قم بتركيب الفوهة (7) وفقاً لعلامة السهم على مدخل الهواء بإحكام (9).

احرص دائماً وبشكل إضافي على تركيب كيس الغبار (8) على مخرج الهواء (5).

الصيانة والخدمة

الصيانة والتنظيف

اسحب القابس من مقبس الشبكة الكهربائية قبل إجراء أي عمل على العدة الكهربائية.

للعمل بشكل جيد وآمن حافظ دائماً على نظافة العدة الكهربائية وفتحات التهوية.

إن تطلب الأمر استبدال كابل التوصيل، فينبغي أن يتم ذلك من قبل شركة بوش أو من قبل مركز خدمة عملاء وكالة بوش للعدد الكهربائية، لتجنب التعرض للمخاطر.

تغيير الفرش الفحمية (انظر الصورة C)

تفحص طول الفرش الفحمية بعد كل شهرين - ثلاثة أشهر تقريبا واستبدل الفرشتين الفحميتين عند الضرورة.

لا تستبدل أبدا فرشاة فحمية واحدة فقط.

إرشاد: استخدم فقط الفرش الفحمية المشتراة من شركة بوش والمخصصة لهذا المنتج.

- قم بفك الأغشية (6) بواسطة مفك براغي ملائم.

- استبدل الفرش الفحمية (10) الخاضعة لضغط نابضي، وأعد ربط الأغشية بإحكام.

شروط استبدال الفرش الفحمية: يظهر خط منقط أو مخطط على السطح الجانبي الكبير للفرشاة الفحمية.

هاتف: 24810844
فاكس: 24810879
بريد إلكتروني: josephkr@aaalmutawa.com
لبنان

طحيني هنا وشركاه ش.ذ.م.م.
صندوق بريد صندوق 449-90
جديده

الدورة-بيروت
هاتف: +9611255211
بريد إلكتروني: service-pt@tehini-hana.com

المغرب

روبرب بوش المغرب ش.ذ.م.م.
53، زنقة الملازم محروود محمد
20300 كازابلانكا
بريد إلكتروني: sav.outillage@ma.bosch.com

عُمان

ملتن للتجارة والمقاولات ش.م.م.
صندوق بريد صندوق 131
حي روي، 112 سلطة عُمان
هاتف: +968 99886794

بريد إلكتروني: malatanpowertools@malatan.net

قطر

الدولية لطلول البناء ش.م.م.
صندوق بريد صندوق 51،
هاتف الدوحة: +974 40065458
فاكس: +974 4453 8585

بريد إلكتروني: csd@icsdoha.com

المملكة العربية السعودية

الجفالي وأخوانه للمعدات الفنية (جيتكو)
الكيلو 14، طريق المدينة، منطقة البوادي
21431 جدة

هاتف: +966 2 6672222 فرعي 1528
فاكس: +966 2 6676308

بريد إلكتروني: roland@eajb.com.sa

سوريا

مؤسسة دلال للأدوات الكهربائية
صندوق بريد صندوق 1030
حلب

هاتف: +963212116083

بريد إلكتروني: rita.dallal@hotmail.com

تونس

روبرت بوش تونس ش.ذ.م.م.
7 زنقة ابن بطوطة Z.A. سان جوبان
مقرين رياض

2014 ابن عروس

هاتف: +216 71 427 496/879

فاكس: +216 71 428 621

بريد إلكتروني: sav.outillage@tn.bosch.com

الإمارات العربية المتحدة

المركزية للسيارات والمعدات ذ.م.م، صندوق بريد
صندوق 1984

شارع الوحدة - مبنى صنعا القديمة
الشارقة

هاتف: +971 6 593 2777

فاكس: +971 6 533 2269

بريد إلكتروني: powertools@centralmotors.ae

في حال استهلاك إحدى الفرشاتين الفحميتين إلى حد
هذا الخط، توجب استبدال الفرشاتين الفحميتين فوراً
من أجل وقاية عاكس التيار في عضو الإنتاج من أي
تلف محتمل.

خدمة العملاء واستشارات الاستخدام

يجيب مركز خدمة العملاء على الأسئلة المتعلقة بإصلاح
المنتج وصيانتته، بالإضافة لقطع الغيار. تجد الرسوم
التفصيلية والمعلومات الخاصة بقطع الغيار في

الموقع: www.bosch-pt.com

يسر فريق Bosch لاستشارات الاستخدام مساعدتك
إذا كان لديك أي استفسارات بخصوص منتجاتنا
وملحقاتها.

بوابة الإنترنت للفرقيين
والعمال اليدويين. www.powertool-portal.de

عند إرسال أية استفسارات أو طلبيات بخصوص قطع
غيار يلزم ذكر رقم الصنف ذو الخانات العشر وفقاً
للوحة صنع المنتج.

الجزائر

سيستال

منطقة الحدادين الصناعية

06000 بجاية

هاتف: +213 (0) 982 400 991/2

فاكس: +213 (0) 3 420 1569

بريد إلكتروني: sav@siestal-dz.com

البحرين

مؤسسة حاتم الجفالي للمعدات الفنية.

مملكة البحرين، طريق سترة السريع، منطقة العكر

هاتف: +966126971777-311

فاكس: +97317704257

بريد إلكتروني: h.berjas@eajb.com.sa

مصر

يونيمار

20 مركز خدمات

التجمع الأول - القاهرة الجديدة

هاتف: +20 2224 76091-95

هاتف: +20 2224 78072-73

فاكس: +20222478075

بريد إلكتروني: adelzaki@unimaregypt.com

العراق

مجموعة الصهبا للتكنولوجيا

شارع مطار المثنى

بغداد

هاتف: +9647901906953

هاتف دبي: +97143973851

بريد إلكتروني: bosch@sahbatechnology.com

الأردن

الجزور العربية Roots Arabia - الأردن

شارع ناصر بن جميل، المبنى 37 الرابية

11194 عمان

هاتف: +962 6 5545778

بريد إلكتروني: bosch@rootsjordan.com

الكويت

شركة القرين لتجارة السيارات

منطقة الشويخ الصناعية، مبنى 1، قطعة 16، شارع

رقم 3

صندوق بريد صندوق 164 - 13002 الصفاة

اليمن

مؤسسة أبو الرجال التجارية
صنعا، شارع الزبيري. أمام مبنى البرلمان الجديد
هاتف: +967-1-202010
فاكس: +967-1-279029
بريد إلكتروني: tech-tools@abualrejal.com

التخلص من العدة الكهربائية

ينبغي تسليم العدد الكهربائية والتوابع والعبوة إلى
مركز معالجة النفايات بطريقة محافظة على البيئة.
لا ترم العدد الكهربائية ضمن النفايات المنزلية.

