

Robert Bosch Power Tools GmbH
70538 Stuttgart
GERMANY

www.bosch-pt.com

1 609 92A 4BR (2018.09) 0 / 94



1 609 92A 4BR

GKS Professional

GKS 235 Turbo | GKS 9



en Original instructions

fr Notice originale

pt Manual original

tr Orijinal işletme talimatı

zh 正本使用说明书

tw 原始使用說明書

ko 사용 설명서 원본

th หนังสือคู่มือการใช้งานฉบับ
ต้นแบบ

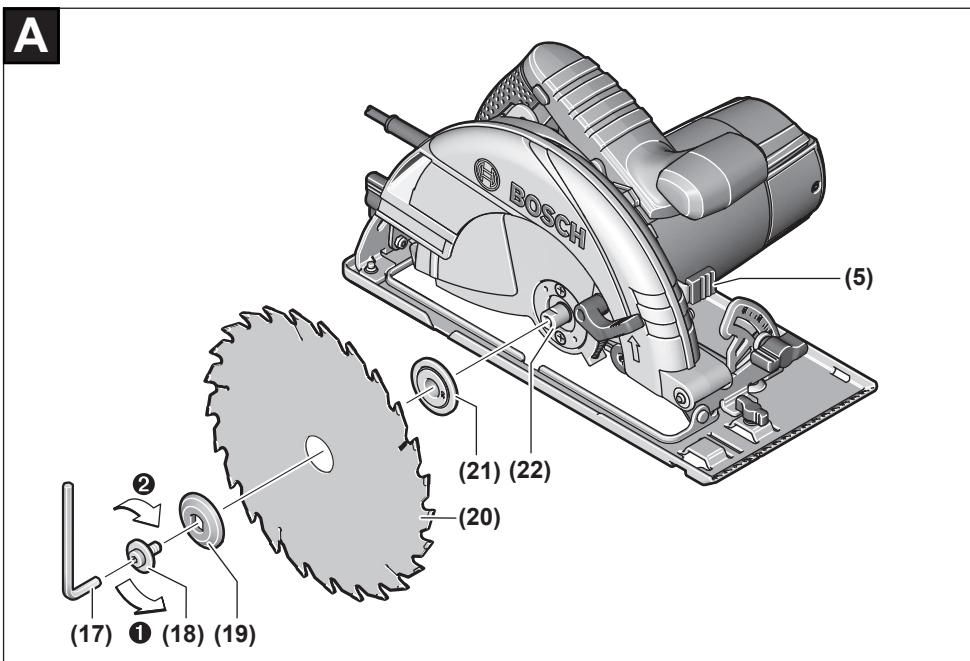
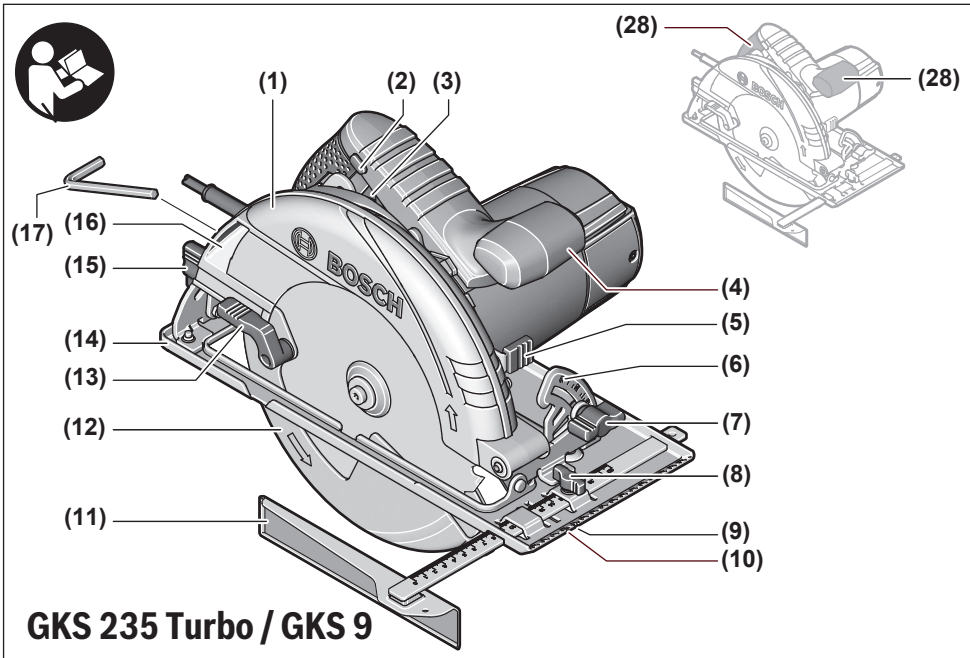
id Petunjuk-Petunjuk untuk Penggun-
aan Orisinal

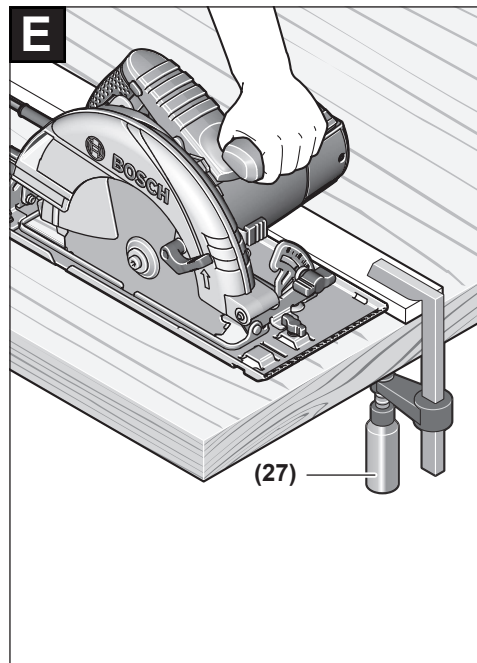
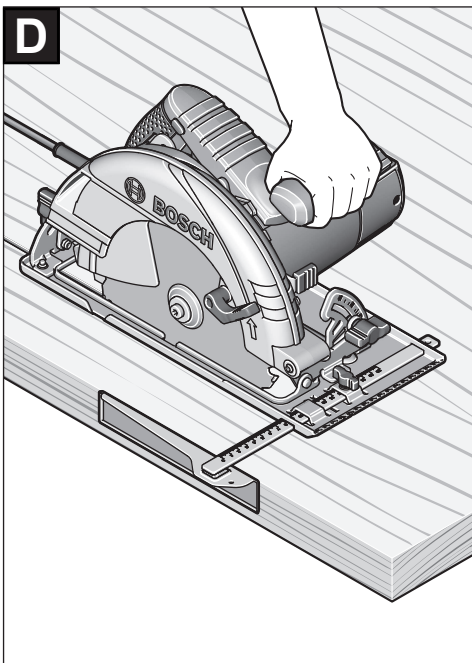
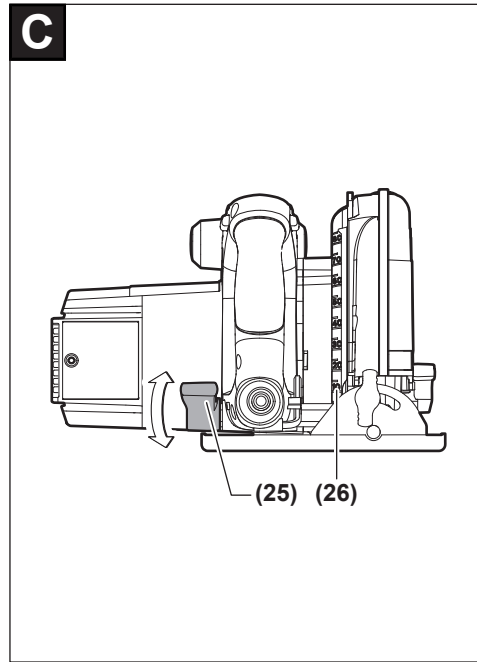
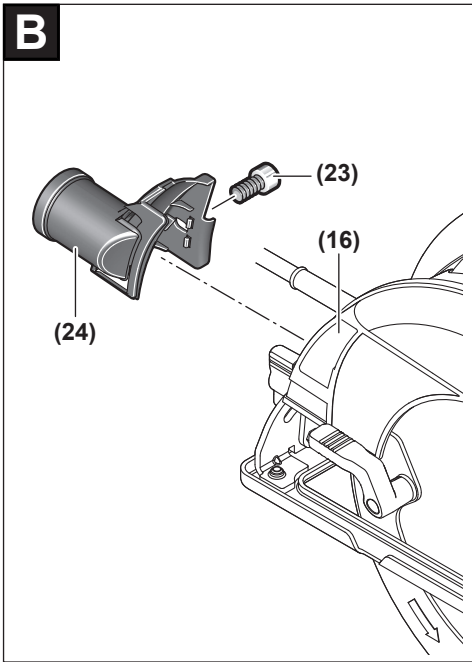
vi Bản gốc hướng dẫn sử dụng

ar دليل التشغيل الأصلي

fa دفترچه راهنمای اصلی

English	page	5
Français	Page	13
Português	Página	21
Türkçe.....	Sayfa	28
中文	页	35
繁體中文	頁	41
한국어	페이지	46
ไทย.....	หน้า	52
Bahasa Indonesia.....	Halaman	59
Tiếng Việt	Trang	66
عربي.....	الصفحة	74
آفارسى.....	صفحه	82
CE		I





English

Safety instructions

General Power Tool Safety Warnings

⚠ WARNING Read all safety warnings, instructions, illustrations and specifications provided with this power tool. Failure to follow all instructions listed below may result in electric shock, fire and/or serious injury.

Save all warnings and instructions for future reference.

The term "power tool" in the warnings refers to your mains-operated (corded) power tool or battery-operated (cordless) power tool.

Work area safety

- ▶ **Keep work area clean and well lit.** Cluttered or dark areas invite accidents.
- ▶ **Do not operate power tools in explosive atmospheres, such as in the presence of flammable liquids, gases or dust.** Power tools create sparks which may ignite the dust or fumes.
- ▶ **Keep children and bystanders away while operating a power tool.** Distractions can cause you to lose control.

Electrical safety

- ▶ **Power tool plugs must match the outlet. Never modify the plug in any way. Do not use any adapter plugs with earthed (grounded) power tools.** Unmodified plugs and matching outlets will reduce risk of electric shock.
- ▶ **Avoid body contact with earthed or grounded surfaces, such as pipes, radiators, ranges and refrigerators.** There is an increased risk of electric shock if your body is earthed or grounded.
- ▶ **Do not expose power tools to rain or wet conditions.** Water entering a power tool will increase the risk of electric shock.
- ▶ **Do not abuse the cord. Never use the cord for carrying, pulling or unplugging the power tool. Keep cord away from heat, oil, sharp edges or moving parts.** Damaged or entangled cords increase the risk of electric shock.
- ▶ **When operating a power tool outdoors, use an extension cord suitable for outdoor use.** Use of a cord suitable for outdoor use reduces the risk of electric shock.
- ▶ **If operating a power tool in a damp location is unavoidable, use a residual current device (RCD) protected supply.** Use of an RCD reduces the risk of electric shock.

Personal safety

- ▶ **Stay alert, watch what you are doing and use common sense when operating a power tool. Do not use a power tool while you are tired or under the influence of drugs, alcohol or medication.** A moment of inatten-

tion while operating power tools may result in serious personal injury.

- ▶ **Use personal protective equipment. Always wear eye protection.** Protective equipment such as a dust mask, non-skid safety shoes, hard hat or hearing protection used for appropriate conditions will reduce personal injuries.
- ▶ **Prevent unintentional starting. Ensure the switch is in the off-position before connecting to power source and/or battery pack, picking up or carrying the tool.** Carrying power tools with your finger on the switch or energising power tools that have the switch on invites accidents.
- ▶ **Remove any adjusting key or wrench before turning the power tool on.** A wrench or a key left attached to a rotating part of the power tool may result in personal injury.
- ▶ **Do not overreach. Keep proper footing and balance at all times.** This enables better control of the power tool in unexpected situations.
- ▶ **Dress properly. Do not wear loose clothing or jewellery. Keep your hair and clothing away from moving parts.** Loose clothes, jewellery or long hair can be caught in moving parts.
- ▶ **If devices are provided for the connection of dust extraction and collection facilities, ensure these are connected and properly used.** Use of dust collection can reduce dust-related hazards.
- ▶ **Do not let familiarity gained from frequent use of tools allow you to become complacent and ignore tool safety principles.** A careless action can cause severe injury within a fraction of a second.

Power tool use and care

- ▶ **Do not force the power tool. Use the correct power tool for your application.** The correct power tool will do the job better and safer at the rate for which it was designed.
- ▶ **Do not use the power tool if the switch does not turn it on and off.** Any power tool that cannot be controlled with the switch is dangerous and must be repaired.
- ▶ **Disconnect the plug from the power source and/or remove the battery pack, if detachable, from the power tool before making any adjustments, changing accessories, or storing power tools.** Such preventive safety measures reduce the risk of starting the power tool accidentally.
- ▶ **Store idle power tools out of the reach of children and do not allow persons unfamiliar with the power tool or these instructions to operate the power tool.** Power tools are dangerous in the hands of untrained users.
- ▶ **Maintain power tools and accessories. Check for misalignment or binding of moving parts, breakage of parts and any other condition that may affect the power tool's operation. If damaged, have the power tool repaired before use.** Many accidents are caused by poorly maintained power tools.

- ▶ **Keep cutting tools sharp and clean.** Properly maintained cutting tools with sharp cutting edges are less likely to bind and are easier to control.
- ▶ **Use the power tool, accessories and tool bits etc. in accordance with these instructions, taking into account the working conditions and the work to be performed.** Use of the power tool for operations different from those intended could result in a hazardous situation.
- ▶ **Keep handles and grasping surfaces dry, clean and free from oil and grease.** Slippery handles and grasping surfaces do not allow for safe handling and control of the tool in unexpected situations.

Service

- ▶ **Have your power tool serviced by a qualified repair person using only identical replacement parts.** This will ensure that the safety of the power tool is maintained.

Safety instructions for circular saws

Cutting procedures

- ▶ **⚠ DANGER: Keep hands away from cutting area and the blade. Keep your second hand on auxiliary handle, or motor housing.** If both hands are holding the saw, they cannot be cut by the blade.
- ▶ **Do not reach underneath the workpiece.** The guard cannot protect you from the blade below the workpiece.
- ▶ **Adjust the cutting depth to the thickness of the workpiece.** Less than a full tooth of the blade teeth should be visible below the workpiece.
- ▶ **Never hold the workpiece in your hands or across your leg while cutting. Secure the workpiece to a stable platform.** It is important to support the work properly to minimise body exposure, blade binding, or loss of control.
- ▶ **Hold the power tool by insulated gripping surfaces, when performing an operation where the cutting tool may contact hidden wiring or its own cord.** Contact with a "live" wire will also make exposed metal parts of the power tool "live" and could give the operator an electric shock.
- ▶ **When ripping always use a rip fence or straight edge guide.** This improves the accuracy of cut and reduces the chance of blade binding.
- ▶ **Always use blades with correct size and shape (diamond versus round) of arbour holes.** Blades that do not match the mounting hardware of the saw will run off-centre, causing loss of control.
- ▶ **Never use damaged or incorrect blade washers or bolt.** The blade washers and bolt were specially designed for your saw, for optimum performance and safety of operation.

Kickback causes and related warnings

- kickback is a sudden reaction to a pinched, jammed or misaligned saw blade, causing an uncontrolled saw to lift up and out of the workpiece toward the operator;

- when the blade is pinched or jammed tightly by the kerf closing down, the blade stalls and the motor reaction drives the unit rapidly back toward the operator;

- if the blade becomes twisted or misaligned in the cut, the teeth at the back edge of the blade can dig into the top surface of the wood causing the blade to climb out of the kerf and jump back toward the operator.

Kickback is the result of saw misuse and/or incorrect operating procedures or conditions and can be avoided by taking proper precautions as given below.

- ▶ **Maintain a firm grip with both hands on the saw and position your arms to resist kickback forces. Position your body to either side of the blade, but not in line with the blade.** Kickback could cause the saw to jump backwards, but kickback forces can be controlled by the operator, if proper precautions are taken.
- ▶ **When blade is binding, or when interrupting a cut for any reason, release the trigger and hold the saw motionless in the material until the blade comes to a complete stop. Never attempt to remove the saw from the work or pull the saw backward while the blade is in motion or kickback may occur.** Investigate and take corrective actions to eliminate the cause of blade binding.
- ▶ **When restarting a saw in the workpiece, centre the saw blade in the kerf so that the saw teeth are not engaged into the material.** If a saw blade binds, it may walk up or kickback from the workpiece as the saw is restarted.
- ▶ **Support large panels to minimise the risk of blade pinching and kickback.** Large panels tend to sag under their own weight. Supports must be placed under the panel on both sides, near the line of cut and near the edge of the panel.
- ▶ **Do not use dull or damaged blades.** Unsharpened or improperly set blades produce narrow kerf causing excessive friction, blade binding and kickback.
- ▶ **Blade depth and bevel adjusting locking levers must be tight and secure before making the cut.** If blade adjustment shifts while cutting, it may cause binding and kickback.
- ▶ **Use extra caution when sawing into existing walls or other blind areas.** The protruding blade may cut objects that can cause kickback.

Lower guard function

- ▶ **Check the lower guard for proper closing before each use. Do not operate the saw if the lower guard does not move freely and close instantly. Never clamp or tie the lower guard into the open position.** If the saw is accidentally dropped, the lower guard may be bent. Raise the lower guard with the retracting handle and make sure it moves freely and does not touch the blade or any other part, in all angles and depths of cut.
- ▶ **Check the operation of the lower guard spring. If the guard and the spring are not operating properly, they must be serviced before use.** Lower guard may operate

sluggishly due to damaged parts, gummy deposits, or a build-up of debris.

- ▶ **The lower guard may be retracted manually only for special cuts such as "plunge cuts" and "compound cuts". Raise the lower guard by the retracting handle and as soon as the blade enters the material, the lower guard must be released.** For all other sawing, the lower guard should operate automatically.
- ▶ **Always observe that the lower guard is covering the blade before placing the saw down on bench or floor.** An unprotected, coasting blade will cause the saw to walk backwards, cutting whatever is in its path. Be aware of the time it takes for the blade to stop after switch is released.

Additional safety warnings

- ▶ **Do not allow the chip ejector to come into contact with your hands.** You may be injured by rotating parts.
- ▶ **Do not use the saw above the level of your head.** Doing so will mean you have inadequate control of the power tool.
- ▶ **Use suitable detectors to determine if utility lines are hidden in the work area or call the local utility company for assistance.** Contact with electric lines can lead to fire and electric shock. Damaging a gas line can lead to explosion. Penetrating a water line causes property damage or may cause an electric shock.
- ▶ **Do not operate the power tool when stationary.** It is not suitable for operation with a saw table.
- ▶ **When performing plunge cuts which are not right-angled, secure the guide plate of the saw so that it will not shift sideways.** In the event of a sideways shift, the saw blade may become jammed, which could lead to kick-back.
- ▶ **Do not use HSS saw blades.** Such saw blades can easily break.
- ▶ **Do not saw any ferrous metals.** Hot chips may ignite the dust extractor.

Products sold in GB only:

Your product is fitted with an BS 1363/A approved electric plug with internal fuse (ASTA approved to BS 1362). If the plug is not suitable for your socket outlets, it should be cut off and an appropriate plug fitted in its place by an authorised customer service agent. The replacement plug should have the same fuse rating as the original plug.

The severed plug must be disposed of to avoid a possible shock hazard and should never be inserted into a mains socket elsewhere.

- ▶ **Always wait until the power tool has come to a complete stop before placing it down.** The application tool can jam and cause you to lose control of the power tool.
- ▶ **Hold the power tool firmly with both hands and make sure you have a stable footing.** The power tool can be more securely guided with both hands.

Product Description and Specifications



Read all the safety and general instructions.

Failure to observe the safety and general instructions may result in electric shock, fire and/or serious injury.

Please observe the illustrations at the beginning of this operating manual.

Intended use

The power tool is intended for making straight cuts in wood with and against the grain and mitre cuts in wood while resting firmly against the workpiece.

The power tool must not be used to cut ferrous metals.

Product features

The numbering of the product features refers to the diagram of the power tool on the graphics page.

- (1) Protective guard
- (2) Lock-on button for on/off switch
(3 601 EA2 0K./3 601 EA2 0L./3 601 EA2 0F.)
- (2) Lock-off button for on/off switch
(3 601 EA2 08./3 601 EA2 0B./3 601 EA2 04./3 601 EA2 00./3 601 EA2 07.)
- (3) On/off switch
- (4) Auxiliary handle
- (5) Spindle lock button
- (6) Scale for mitre/bevel angles
- (7) Wing bolt for mitre/bevel angle preselection
- (8) Wing bolt for parallel guide
- (9) Cut mark 45°
- (10) Cut mark 0°
- (11) Parallel guide
- (12) Retracting blade guard
- (13) Adjusting lever for retracting blade guard
- (14) Base plate
- (15) Wing bolt for mitre/bevel angle preselection
- (16) Chip ejector
- (17) Hex key
- (18) Clamping bolt with washer
- (19) Clamping flange
- (20) Circular saw blade^{A)}
- (21) Mounting flange
- (22) Saw spindle
- (23) Fastening screw for dust extraction adapter^{A)}
- (24) Dust extraction adapter^{A)}
- (25) Clamping lever for cutting depth preselection
- (26) Cutting depth scale
- (27) Pair of screw clamps^{A)}

(28) Handle (insulated gripping surface)

A) Accessories shown or described are not included with the product as standard. You can find the complete selection of accessories in our accessories range.

Technical data

Hand-held circular saw		GKS 235 Turbo	GKS 235 Turbo	GKS 9
Article number		3 601 EA2 0..	3 601 EA2 0B.	3 601 EA2 00. 3 601 EA2 07.
Rated power input	W	2050	2050	2050
No-load speed	rpm	5300	5300	5300
Max. speed under load	rpm	3500	3500	3500
Max. cutting depth				
– at a 0° mitre/bevel angle	mm	85	85	85
– at a 45° mitre/bevel angle	mm	65	65	65
Spindle lock		●	●	●
Base plate dimensions	mm	383 x 170	383 x 170	383 x 170
Max. saw blade diameter	mm	235	235	235
Min. saw blade diameter	mm	230	230	230
Max. base blade thickness	mm	2.2	2.2	2.2
Max. tooth thickness/offset	mm	3.2	3.2	3.2
Min. tooth thickness/offset	mm	2.0	2.0	2.0
Locating bore	mm	25	25.4	30
Weight according to EPTA-Procedure 01:2014	kg	7.6	7.6	7.6
Protection class		□/II	□/II	□/II

Only for power tools without starting current limitation: Switching these on causes the voltage to drop briefly. Interference with other equipment may occur in the event of unfavourable conditions in the electricity supply. Malfunctions are not expected if the impedances in the electricity supply are below 0.14 ohms.

The specifications apply to a rated voltage [U] of 230 V. These specifications may vary at different voltages and in country-specific models.

Noise/vibration information

Noise emission values determined according to **EN 62841-2-5**.

Typically, the A-weighted noise level of the power tool is: Sound pressure level **92 dB(A)**; sound power level **103 dB(A)**. Uncertainty K = **3 dB**.

Wear hearing protection

Total vibration values a_h (triax vector sum) and uncertainty K determined according to **EN 62841-2-5**:

Sawing wood: $a_h = 3.3 \text{ m/s}^2$, K = **1.5 m/s²**

The vibration level and noise emission value given in these instructions have been measured in accordance with a standardised measuring procedure detailed in EN 62841 and may be used to compare power tools. They may also be used for a preliminary estimation of vibration and noise emissions.

The given vibration level and noise emission value represent the main applications of the power tool. However, if the power tool is used for other applications, with different application tools or is poorly maintained, the vibration level

and noise emission value may differ. This may significantly increase the vibration and noise emissions over the total working period.

To estimate vibration and noise emissions accurately, the times when the tool is switched off or when it is running but not actually being used should also be taken into account. This may significantly reduce vibration and noise emissions over the total working period.

Implement additional safety measures to protect the operator from the effects of vibration, such as servicing the power tool and application tools, keeping the hands warm, and organising workflows correctly.

Fitting

► **Only use saw blades the maximum permitted speed of which is higher than the no-load speed of the power tool.**

Inserting/changing the circular saw blade

- ▶ **Pull the plug out of the socket before carrying out any work on the power tool.**
- ▶ **Wear protective gloves when fitting the saw blade.**
Danger of injury when touching the saw blade.
- ▶ **Only use saw blades that match the specifications given in this operating manual and on the power tool.**
- ▶ **The permitted speed of the application tool must be at least equal to the maximum speed marked on the power tool.** If accessories run faster than their rated speed, they may break and fly off.
- ▶ **Do not use abrasive wheels as the application tool under any circumstances.**

Selecting the saw blade

You will find an overview of recommended saw blades at the end of these operating instructions.

Removing the saw blade (see figure A)

To change tools, we recommend that you place the power tool down on the front side of the motor housing.

- Press and hold the spindle lock button (5).
- ▶ **Do not press the spindle lock button (5) while the saw spindle is moving.** The power tool may become damaged if this happens.
- Use the hex key (17) to undo the clamping bolt (18) in rotational direction ①.
- Swing the retracting blade guard (12) back and hold on to it firmly.
- Remove the clamping flange (19) and the saw blade (20) from the saw spindle (22).

Fitting the saw blade (see figure A)

To change tools, we recommend that you place the power tool down on the front side of the motor housing.

- Clean the saw blade (20) and all the clamping elements to be fitted.
- Swing the retracting blade guard (12) back and hold on to it firmly.
- Place the saw blade (20) on the mounting flange (21). The cutting direction of the teeth (direction of the arrow on the saw blade) must match the rotational direction of the arrow on the protective guard (1).
- Attach the clamping flange (19) and screw in the clamping bolt (18) in rotational direction ②. Ensure that the mounting flange (21) and clamping flange (19) are installed in the correct position.
- Press and hold the spindle lock button (5).
- Use the hex key (17) to tighten the clamping bolt (18) in rotational direction ②. The tightening torque should be 10–12 Nm, which corresponds to hand-tight plus ¼ turn.

Dust/chip extraction

The dust from materials such as lead paint, some types of wood, minerals and metal can be harmful to human health. Touching or breathing in this dust can trigger allergic reactions and/or cause respiratory illnesses in the user or in

people in the near vicinity.

Certain dusts, such as oak or beech dust, are classified as carcinogenic, especially in conjunction with wood treatment additives (chromate, wood preservative). Materials containing asbestos may only be machined by specialists.

- Use a dust extraction system that is suitable for the material wherever possible.
- Provide good ventilation at the workplace.
- It is advisable to wear a P2 filter class breathing mask.

The regulations on the material being machined that apply in the country of use must be observed.

- ▶ **Avoid dust accumulation at the workplace.** Dust can easily ignite.

Fitting the dust extraction adapter (see figure B)

Push the dust extraction adapter (24) onto the chip ejector (16) until it clicks into place. Then secure the dust extraction adapter (24) in place with the screw (23).

A dust extraction hose with a diameter of 35 mm can be connected to the dust extraction adapter (24).

- ▶ **The dust extraction adapter must only be fitted if an external dust extraction system is connected.** Otherwise the extraction duct can become clogged.
- ▶ **No dust bags should be connected to the dust extraction adapter.** Otherwise the extraction system can become clogged.

To ensure optimum extraction, the dust extraction adapter (24) must be cleaned regularly.

External dust extraction

The power tool can be directly connected to the socket of a Bosch all-purpose dust extractor with remote starter. This dust extractor is started up automatically when the power tool is switched on.

The dust extractor must be suitable for the material being worked.

When vacuuming dry dust that is especially detrimental to health or carcinogenic, use a special dust extractor.

In Germany, wood dust extraction requires extraction devices which have been tested on the basis of TRGS 553; self-generated dust extraction must not be used in the commercial sector. Commercial operators must clarify the specific requirements for other materials with the responsible trade association.

Operation

Operating modes

- ▶ **Pull the plug out of the socket before carrying out any work on the power tool.**

Setting the cutting depth (see figure C)

- ▶ **Adapt the cutting depth to the thickness of the workpiece.** A space of less than the height of one full tooth should be visible under the workpiece.

Loosen the clamping lever (25). For a smaller cutting depth, pull the saw away from the base plate (14); for a larger cut-

ting depth, push the saw towards the base plate (14). Adjust the desired cutting depth at the cutting-depth scale. Retighten the clamping lever (25).

The clamping force of the clamping lever (25) can be readjusted. To do so, unscrew the clamping lever (25) and retighten it in a position offset by at least 30° in an anticlockwise direction.

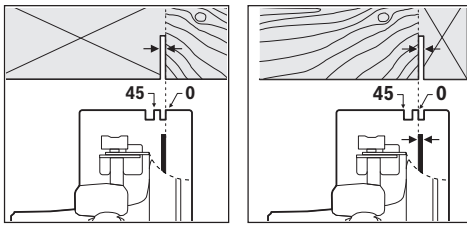
Adjusting the mitre angle

We recommend that you place the power tool down on the front side of the protective guard (1).

Loosen the wing bolts (7) and (15). Swivel the saw to the side. Set the required mitre angle on the scale (6). Retighten the wing bolts (7) and (15).

Note: When making mitre cuts, the cutting depth is less than the value shown on the cutting depth scale (26).

Cut marks



The 0° cut mark (10) indicates the position of the saw blade when making a right-angled cut. The 45° cut mark (9) indicates the position of the saw blade when making a 45° cut. For a precise cut, place the circular saw against the workpiece as shown in the figure. We recommend making a test cut.

Start-up

- ▶ **Pay attention to the mains voltage. The voltage of the power source must match the voltage specified on the rating plate of the power tool. Power tools marked with 230 V can also be operated with 220 V.**
- ▶ **Products that are only sold in AUS and NZ:** Use a residual current device (RCD) with a nominal residual current of 30 mA or less.

Switching on/off

- ▶ **Make sure that you are able to press the On/Off switch without releasing the handle.**

3 601 EA2 0K./3 601 EA2 0L./3 601 EA2 0F.:

To start the power tool, press and hold the on/off switch (3).

Press the lock-on button (2) to lock the on/off switch (3) in this position.

To switch off the power tool, release the on/off switch (3); or, if the switch is locked with the lock-on button (2), briefly press the on/off switch (3) and then release it.

3 601 EA2 08./3 601 EA2 0B./3 601 EA2 04./3 601 EA2 00./3 601 EA2 07.:

To start the power tool, first press the lock-off switch (2), then press and hold the on/off switch (3).

To switch off the power tool, release the on/off switch (3).

Note: For safety reasons, the on/off switch (3) cannot be locked; it must remain pressed during the entire operation.

Practical advice

Protect saw blades against shock and impact.

Guide the power tool evenly, pushing it gently in the cutting direction. Applying too much pressure to the power tool when moving it in the cutting direction significantly reduces the service life of the application tools and can damage the power tool.

The sawing performance and the quality of the cut essentially depend on the condition and the tooth shape of the saw blade. This is why you should only use sharp saw blades that are suitable for the material being machined.

Sawing wood

Choosing the right saw blade depends on the wood type, wood quality and whether cuts with or against the grain are required.

Making cuts in spruce with the grain produces long, spiral-shaped chips.

Beech and oak dust is especially detrimental to health. Therefore, work only with dust extraction.

Sawing with a parallel guide (see figure D)

The parallel guide (11) allows you to make precise cuts along the edge of a workpiece and cut strips with the same dimensions.

Loosen the wing bolt (8) and slide the scale of the parallel guide (11) through the guide in the base plate (14). Adjust the desired cutting width as a scale value at the corresponding (10) or (9) cut mark, see the section "Cut marks".

Retighten the wing bolt (8).

Sawing with an auxiliary guide (see figure E)

For working on large workpieces or for cutting straight edges, you can securely fasten a board or rail to the workpiece as an auxiliary guide. The circular saw can be guided along the path of this auxiliary guide with the base plate.

Maintenance and Servicing

Maintenance and cleaning

- ▶ **Pull the plug out of the socket before carrying out any work on the power tool.**
- ▶ **To ensure safe and efficient operation, always keep the power tool and the ventilation slots clean.**

In order to avoid safety hazards, if the power supply cord needs to be replaced, this must be done by Bosch or by a customer service centre that is authorised to repair Bosch power tools.

The retracting blade guard must always be able to move freely and retract automatically. It is therefore important to

keep the area around the retracting blade guard clean at all times. Remove dust and chips with a paintbrush.

Non-coated saw blades can be protected against corrosion using a thin layer of acid-free oil. Remove the oil again before sawing as failure to do so will stain the wood.

Resin or glue residue on the saw blade has a detrimental effect on the quality of the cut. You should therefore clean saw blades straight after use.

After-sales Service and Advice on Using Products

Our after-sales service can answer questions concerning product maintenance and repair, as well as spare parts. You can find exploded drawings and information on spare parts at: www.bosch-pt.com

The Bosch product use advice team will be happy to help you with any questions about our products and their accessories.

www.powertool-portal.de, the internet portal for tradespeople and DIY enthusiasts.

In all correspondence and spare parts orders, please always include the 10-digit article number given on the type plate of the product.

Cambodia

Robert Bosch (Cambodia) Co., Ltd
Unit 8BC, GT Tower, 08th Floor, Street 169,
Czechoslovakia Blvd, Sangkat Veal Vong
Khan 7 Makara, Phnom Penh
VAT TIN: 100 169 511
Tel.: +855 23 900 685
Tel.: +855 23 900 660
www.bosch.com.kh

People's Republic of China

China Mainland

Bosch Power Tool (China) Co. Ltd.
Bosch Service Center
567, Bin Kang Road
Bin Kang District
Hangzhou, Zhejiang Province
China 310052
Tel.: (0571) 8887 5566 / 5588
Fax: (0571) 8887 6688 x 5566# / 5588#
E-mail: bsc.hz@cn.bosch.com
www.bosch-pt.com.cn

HK and Macau Special Administrative Regions

Robert Bosch Co. Ltd.
21st Floor, 625 King's Road
North Point, Hong Kong
Customer Service Hotline: +852 2101 0235
Fax: +852 2590 9762
E-mail: info@hk.bosch.com
www.bosch-pt.com.hk

India

Bosch Service Center
69, Habibullah Road, (next to PSBB School), T. Nagar
Chennai-600077
Phone: (044) 64561816

Bosch Service Center Rishyamook
85A, Panchkuin Road
New Delhi-110001
Phone: (011) 43166190
Bosch Service Center 79,
Crystal Bldg., Dr. Annie Besant Road, Worli
Mumbai-400018
Phone: (022) 39569936 / (022) 39569959 /
(022) 39569967 / (022) 24952071

Indonesia

PT Robert Bosch
Palma Tower 10th Floor
Jalan RA Kartini II-S Kaveling 6
Pondok Pinang, Kebayoran Lama
Jakarta Selatan 12310
Tel.: (21) 3005-5800
www.bosch-pt.co.id

Malaysia

Robert Bosch Sdn. Bhd.(220975-V) PT/SMY
No. 8A, Jalan 13/6
46200 Petaling Jaya
Selangor
Tel.: (03) 79663194
Toll-Free: 1800 880188
Fax: (03) 79583838
E-mail: kiathoe.chong@my.bosch.com
www.bosch-pt.com.my

Pakistan

Robert Bosch Middle East FZE – Pakistan Liaison Office
2nd Floor Plaza # 10, CCA Block, DHA Phase 5
Lahore, 54810
Phone: +92(303)4444311
E-mail: Faisal.Khan@bosch.com

Philippines

Robert Bosch, Inc.
28th Floor Fort Legend Towers,
3rd Avenue corner 31st Street,
Fort Bonifacio, Global City,
1634 Taguig City
Tel.: (632) 8703871
Fax: (632) 8703870
www.bosch-pt.com.ph

Singapore

Powerwell Service Centre Ptd Ltd
Bosch Authorised Service Centre (Power Tools)
4012 Ang Mo Kio Ave 10, #01-02 TECHplace
Singapore 569628
Tel.: 6452 1770
Fax: 6452 1760
E-mail: ask@powerwellsc.com
www.powerwellsc.com
www.bosch-pt.com.sg

Thailand

Robert Bosch Ltd.
Liberty Square Building
No. 287, 11 Floor
Silom Road, Bangrak

Bangkok 10500
 Tel.: 02 6393111
 Fax: 02 2384783
 Robert Bosch Ltd., P. O. Box 2054
 Bangkok 10501
 www.bosch.co.th
 Bosch Service – Training Centre
 La Salle Tower Ground Floor Unit No.2
 10/11 La Salle Moo 16
 Srinakharin Road
 Bangkaew, Bang Plee
 Samutprakarn 10540
 Tel.: 02 7587555
 Fax: 02 7587525

Vietnam

Branch of Bosch Vietnam Co., Ltd in HCMC
 14th floor, Deutsches Haus, 33 Le Duan
 Ben Nghe Ward, District 1, Ho Chi Minh City
 Tel.: (028) 6258 3690
 Fax: (028) 6258 3692 - 6258 3694
 Hotline: (028) 6250 8555
 E-mail: tuvankhachhang-pt@vn.bosch.com
www.bosch-pt.com.vn

Armenia, Azerbaijan, Georgia, Kyrgyzstan, Mongolia, Tajikistan, Turkmenistan, Uzbekistan

TOO "Robert Bosch" Power Tools, After Sales Service
 Rayimbek Ave., 169/1
 050050, Almaty, Kazakhstan
 Service e-mail: service.pt.ka@bosch.com
 Official website: www.bosch.com, www.bosch-pt.com

Bahrain

Hatem Al Juffali Technical Equipment Establishment.
 Kingdom of Bahrain, Setra Highway, Al Aker Area
 Phone: +966126971777-311
 Fax: +97317704257
 E-mail: h.berjas@ejb.com.sa

Egypt

Unimar
 20 Markaz kadmat
 El tagmoa EL Aoul – New Cairo
 Phone: +20 2224 76091-95
 Phone: +20 2224 78072-73
 Fax: +20222478075
 E-mail: adelzaki@unimaregypt.com

Iran

Robert Bosch Iran
 3rd Floor, No 3, Maadiran Building
 Aftab St., Khodami St., Vanak Sq.
 Tehran 1994834571
 Phone: +9821 86092057

Iraq

Sahba Technology Group
 Al Muthana airport road
 Baghdad
 Phone: +9647901906953
 Phone Dubai: +97143973851
 E-mail: bosch@sahbatechnology.com

Jordan

Roots Arabia – Jordan
 Nasser Bin Jameel street, Building 37 Al Rabiah
 11194 Amman
 Phone: +962 6 5545778
 E-mail: bosch@rootsjordan.com

Kuwait

Al Qurain Automotive Trading Company
 Shuwaikh Industrial Area, Block 1, Plot 16, Street 3rd
 P.O. Box 164 – Safat 13002
 Phone: 24810844
 Fax: 24810879
 E-mail: josephkr@aaalmutawa.com

Lebanon

Tehini Hana & Co. S.A.R.L.
 P.O. Box 90-449
 Jdeideh
 Dora-Beirut
 Phone: +9611255211
 E-mail: service-pt@tehini-hana.com

Libya

El Naser for Workshop Tools
 Swanee Road, Alfalah Area
 Tripoli
 Phone: +218 21 4811184

Oman

Malatan Trading & Contracting LLC
 P.O. Box 131
 Ruwi, 112 Sultanate of Oman
 Phone: +968 99886794
 E-mail: malatanpowertools@malatan.net

Qatar

International Construction Solutions W L L
 P. O. Box 51,
 Doha Phone: +974 40065458
 Fax: +974 4453 8585
 E-mail: csd@icsdoha.com

Saudi Arabia

Juffali Technical Equipment Co. (JTECO)
 Kilo 14, Madinah Road, Al Bawadi District
 Jeddah 21431
 Phone: +966 2 6672222 Ext. 1528
 Fax: +966 2 6676308
 E-mail: roland@ejb.com.sa

Syria

Dallal Establishment for Power Tools
 P.O. Box 1030
 Aleppo
 Phone: +963212116083
 E-mail: rita.dallal@hotmail.com

United Arab Emirates

Central Motors & Equipment LLC, P.O. Box 1984
 Al-Wahda Street – Old Sana Building
 Sharjah
 Phone: +971 6 593 2777
 Fax: +971 6 533 2269
 E-mail: powertools@centralmotors.ae

Yemen

Abualrejal Trading Corporation
Sana'a Zubiery St. Front to new Parliament Building
Phone: +967-1-202010
Fax: +967-1-279029
E-mail: tech-tools@abualrejal.com

Ethiopia

Forever plc
Kebele 2,754, BP 4806,
Addis Ababa
Phone: +251 111 560 600
E-mail: foreverplc@ethionet.et

Ghana

C.WOERMANN LTD.
Nsawam Road/Avenor Junction, P.O. Box 1779
Accra Phone: +233 302 225 141

Kenya

Robert Bosch East Africa Ltd
Mpaka Road P.O. Box 856
00606 Nairobi

Nigeria

Robert Bosch Nigeria Ltd.
52-54 Isaac John Street P.O. Box
GRA Ikeja - Lagos

Republic of South Africa**Customer service**

Hotline: (011) 6519600

Gauteng - BSC Service Centre

35 Roper Street, New Centre
Johannesburg
Tel.: (011) 4939375
Fax: (011) 4930126
E-mail: bsctools@icon.co.za

KZN - BSC Service Centre

Unit E, Almar Centre
143 Crompton Street
Pinetown
Tel.: (031) 7012120
Fax: (031) 7012446
E-mail: bsc.dur@za.bosch.com

Western Cape - BSC Service Centre

Democracy Way, Prosperity Park
Milnerton
Tel.: (021) 5512577
Fax: (021) 5513223
E-mail: bsc@zsd.co.za

Bosch Headquarters

Midrand, Gauteng
Tel.: (011) 6519600
Fax: (011) 6519880
E-mail: rbsa-hq.pts@za.bosch.com

Tanzania

Diesel & Autoelectric Service Ltd.
117 Nyerere Rd., P.O. Box 70839

Vingunguti 12109, Dar Es Salaam
Phone: +255 222 861 793/794

Australia, New Zealand and Pacific Islands

Robert Bosch Australia Pty. Ltd.
Power Tools
Locked Bag 66
Clayton South VIC 3169
Customer Contact Center
Inside Australia:
Phone: (01300) 307044
Fax: (01300) 307045
Inside New Zealand:
Phone: (0800) 543353
Fax: (0800) 428570
Outside AU and NZ:
Phone: +61 3 95415555
www.bosch-pt.com.au
www.bosch-pt.co.nz

Disposal

The power tool, accessories and packaging should be recycled in an environmentally friendly manner.



Do not dispose of power tools along with household waste.

Only for EU countries:

According to the European Directive 2012/19/EU on Waste Electrical and Electronic Equipment and its implementation into national law, power tools that are no longer usable must be collected separately and disposed of in an environmentally friendly manner.

Français**Consignes de sécurité****Avertissements de sécurité généraux pour l'outil électrique****AVERTISSEMENT**

Lire tous les avertissements de sécurité, les instructions, les illustrations et les spécifications fournis avec cet outil électrique. Ne pas suivre les instructions énumérées ci-dessous peut provoquer un choc électrique, un incendie et/ou une blessure sérieuse.

Conserver tous les avertissements et toutes les instructions pour pouvoir s'y reporter ultérieurement.

Le terme "outil électrique" dans les avertissements fait référence à votre outil électrique alimenté par le secteur (avec cordon d'alimentation) ou votre outil électrique fonctionnant sur batterie (sans cordon d'alimentation).

Sécurité de la zone de travail

- ▶ **Conserver la zone de travail propre et bien éclairée.** Les zones en désordre ou sombres sont propices aux accidents.
- ▶ **Ne pas faire fonctionner les outils électriques en atmosphère explosive, par exemple en présence de liquides inflammables, de gaz ou de poussières.** Les outils électriques produisent des étincelles qui peuvent enflammer les poussières ou les fumées.
- ▶ **Maintenir les enfants et les personnes présentes à l'écart pendant l'utilisation de l'outil électrique.** Les distractions peuvent vous faire perdre le contrôle de l'outil.

Sécurité électrique

- ▶ **Il faut que les fiches de l'outil électrique soient adaptées au socle. Ne jamais modifier la fiche de quelque façon que ce soit. Ne pas utiliser d'adaptateurs avec des outils électriques à branchement de terre.** Des fiches non modifiées et des socles adaptés réduisent le risque de choc électrique.
- ▶ **Éviter tout contact du corps avec des surfaces reliées à la terre telles que les tuyaux, les radiateurs, les cuisinières et les réfrigérateurs.** Il existe un risque accru de choc électrique si votre corps est relié à la terre.
- ▶ **Ne pas exposer les outils électriques à la pluie ou à des conditions humides.** La pénétration d'eau à l'intérieur d'un outil électrique augmente le risque de choc électrique.
- ▶ **Ne pas maltraiter le cordon. Ne jamais utiliser le cordon pour porter, tirer ou débrancher l'outil électrique. Maintenir le cordon à l'écart de la chaleur, du lubrifiant, des arêtes vives ou des parties en mouvement.** Des cordons endommagés ou emmêlés augmentent le risque de choc électrique.
- ▶ **Lorsqu'on utilise un outil électrique à l'extérieur, utiliser un prolongateur adapté à l'utilisation extérieure.** L'utilisation d'un cordon adapté à l'utilisation extérieure réduit le risque de choc électrique.
- ▶ **Si l'usage d'un outil électrique dans un emplacement humide est inévitable, utiliser une alimentation protégée par un dispositif à courant différentiel résiduel (RCD).** L'usage d'un RCD réduit le risque de choc électrique.

Sécurité des personnes

- ▶ **Rester vigilant, regarder ce que vous êtes en train de faire et faire preuve de bon sens dans votre utilisation de l'outil électrique. Ne pas utiliser un outil électrique lorsque vous êtes fatigué ou sous l'emprise de drogues, de l'alcool ou de médicaments.** Un moment d'inattention en cours d'utilisation d'un outil électrique peut entraîner des blessures graves.
- ▶ **Utiliser un équipement de protection individuelle. Toujours porter une protection pour les yeux.** Les équipements de protection individuelle tels que les masques contre les poussières, les chaussures de sécurité antidérapantes, les casques ou les protections audi-

tives utilisés pour les conditions appropriées réduisent les blessures.

- ▶ **Éviter tout démarrage intempestif. S'assurer que l'interrupteur est en position arrêt avant de brancher l'outil au secteur et/ou au bloc de batteries, de le ramasser ou de le porter.** Porter les outils électriques en ayant le doigt sur l'interrupteur ou brancher des outils électriques dont l'interrupteur est en position marche est source d'accidents.
- ▶ **Retirer toute clé de réglage avant de mettre l'outil électrique en marche.** Une clé laissée fixée sur une partie tournante de l'outil électrique peut donner lieu à des blessures.
- ▶ **Ne pas se précipiter. Garder une position et un équipement adaptés à tout moment.** Cela permet un meilleur contrôle de l'outil électrique dans des situations inattendues.
- ▶ **S'habiller de manière adaptée. Ne pas porter de vêtements amples ou de bijoux. Garder les cheveux et les vêtements à distance des parties en mouvement.** Des vêtements amples, des bijoux ou les cheveux longs peuvent être pris dans des parties en mouvement.
- ▶ **Si des dispositifs sont fournis pour le raccordement d'équipements pour l'extraction et la récupération des poussières, s'assurer qu'ils sont connectés et correctement utilisés.** Utiliser des collecteurs de poussière peut réduire les risques dus aux poussières.
- ▶ **Rester vigilant et ne pas négliger les principes de sécurité de l'outil sous prétexte que vous avez l'habitude de l'utiliser.** Une fraction de seconde d'inattention peut provoquer une blessure grave.

Utilisation et entretien de l'outil électrique

- ▶ **Ne pas forcer l'outil électrique. Utiliser l'outil électrique adapté à votre application.** L'outil électrique adapté réalise mieux le travail et de manière plus sûre au régime pour lequel il a été construit.
- ▶ **Ne pas utiliser l'outil électrique si l'interrupteur ne permet pas de passer de l'état de marche à arrêt et inversement.** Tout outil électrique qui ne peut pas être commandé par l'interrupteur est dangereux et il faut le réparer.
- ▶ **Débrancher la fiche de la source d'alimentation et/ou enlever le bloc de batteries, s'il est amovible, avant tout réglage, changement d'accessoires ou avant de ranger l'outil électrique.** De telles mesures de sécurité préventives réduisent le risque de démarrage accidentel de l'outil électrique.
- ▶ **Conserver les outils électriques à l'arrêt hors de la portée des enfants et ne pas permettre à des personnes ne connaissant pas l'outil électrique ou les présentes instructions de le faire fonctionner.** Les outils électriques sont dangereux entre les mains d'utilisateurs novices.
- ▶ **Observer la maintenance des outils électriques et des accessoires. Vérifier qu'il n'y a pas de mauvais alignement ou de blocage des parties mobiles, des pièces**

cassées ou toute autre condition pouvant affecter le fonctionnement de l'outil électrique. En cas de dommages, faire réparer l'outil électrique avant de l'utiliser. De nombreux accidents sont dus à des outils électriques mal entretenus.


- ▶ **Garder affûtés et propres les outils permettant de couper.** Des outils destinés à couper correctement entretenus avec des pièces coupantes tranchantes sont moins susceptibles de bloquer et sont plus faciles à contrôler.
- ▶ **Utiliser l'outil électrique, les accessoires et les lames etc., conformément à ces instructions, en tenant compte des conditions de travail et du travail à réaliser.** L'utilisation de l'outil électrique pour des opérations différentes de celles prévues peut donner lieu à des situations dangereuses.
- ▶ **Il faut que les poignées et les surfaces de préhension restent sèches, propres et dépourvues d'huiles et de graisses.** Des poignées et des surfaces de préhension glissantes rendent impossibles la manipulation et le contrôle en toute sécurité de l'outil dans les situations inattendues.

Maintenance et entretien

- ▶ **Faire entretenir l'outil électrique par un réparateur qualifié utilisant uniquement des pièces de rechange identiques.** Cela assure le maintien de la sécurité de l'outil électrique.

Consignes de sécurité pour scies circulaires

Procédures de coupe

- ▶  **DANGER: N'approchez pas les mains de la zone de coupe et de la lame. Gardez la deuxième main sur la poignée auxiliaire ou sur le boîtier du moteur.** Si les deux mains tiennent la scie, elles ne peuvent pas être coupées par la lame.
- ▶ **N'exposez aucune partie de votre corps sous la pièce à travailler.** Le protecteur ne peut pas vous protéger de la lame sous la pièce.
- ▶ **Ajustez la profondeur de coupe à l'épaisseur de la pièce à travailler.** Il convient que moins de la totalité d'une dent parmi toutes les dents de la lame soit visible sous la pièce.
- ▶ **Ne tenez jamais la pièce à travailler dans vos mains ou sur vos jambes pendant la coupe. Assurez-vous que la pièce à travailler se trouve sur une plate-forme stable.** Il est important que la pièce soit soutenue convenablement, afin de minimiser l'exposition du corps, le grippage de la lame, ou la perte de contrôle.
- ▶ **Maintenez l'outil uniquement par les surfaces de prise isolantes, si l'outil coupant, en marche, peut être en contact avec des conducteurs cachés ou avec son propre cordon d'alimentation.** Le contact avec un fil "sous tension" mettra également "sous tension" les parties métalliques exposées de l'outil et pourrait provoquer un choc électrique sur l'opérateur.

- ▶ **Lors d'une coupe, utilisez toujours un guide parallèle ou un guide à bords droits.** Cela améliore la précision de la coupe et réduit les risques de grippage de la lame.
- ▶ **Utilisez toujours des lames dont la taille et la forme (diamant et rond) des alésages centraux sont convenable.** Les lames qui ne correspondent pas aux éléments de montage de la scie se décentreront, provoquant une perte de contrôle.
- ▶ **N'utilisez jamais de rondelles ou de boulons de lames endommagés ou inadaptés.** Les rondelles et les boulons de lames ont été spécialement conçus pour votre scie, afin de garantir une performance optimale et une sécurité de fonctionnement.

Causes du recul et mises en garde correspondantes

- le recul est une réaction soudaine observée sur une lame de scie pincée, bloquée ou mal alignée, faisant sortir la scie de la pièce à travailler de manière incontrôlée dans la direction de l'opérateur;

– lorsque la lame est pincée ou bloquée fermement par le fond du trait de scie, la lame se bloque et le moteur fait retourner brutalement le bloc à l'opérateur;

– si la lame se tord ou est mal alignée lors de la coupe, les dents sur le bord arrière de la lame peuvent creuser la face supérieure du bois, ce qui fait que la lame sort du trait de scie et est projetée sur l'opérateur.

Le recul est le résultat d'un mauvais usage de la scie et/ou de procédures ou de conditions de fonctionnement incorrectes et peut être évité en prenant les précautions adéquates spécifiées ci-dessous.

- ▶ **Maintenez fermement la scie avec les deux mains et positionnez vos bras afin de résister aux forces de recul. Positionnez votre corps d'un des côtés de la lame, mais pas dans l'alignement de la lame.** Le recul peut faire revenir la scie en arrière, mais les forces de recul peuvent être maîtrisées par l'opérateur, si les précautions adéquates sont prises.
- ▶ **Lorsque la lame est grippée ou lorsqu'une coupe est interrompue pour quelque raison que ce soit, relâchez le bouton de commande et maintenez la scie immobile dans le matériau, jusqu'à ce que la lame arrête complètement de fonctionner. N'essayez jamais de retirer la scie de la pièce à travailler ou tirez la scie en arrière pendant que la lame est en mouvement ou que le recul peut se produire.** Recherchez et prenez des mesures correctives afin d'empêcher que la lame ne se grippage.
- ▶ **Lorsque vous remettez en marche une scie dans la pièce à travailler, centrez la lame de scie dans le trait de scie, de sorte que les dents de la scie ne soient pas rentrées dans le matériau.** Si la lame de scie est grippée, elle peut venir chevaucher la pièce à travailler ou en sortir lorsque la scie est remise en fonctionnement.
- ▶ **Placez des panneaux de grande taille sur un support afin de minimiser les risques de pincement de la lame et de recul.** Les grands panneaux ont tendance à fléchir sous leur propre poids. Les supports doivent être placés sous le panneau des deux côtés, près de la ligne de coupe et près du bord du panneau.

- ▶ **N'utilisez pas de lames émoussées ou endommagées.** Des lames non aiguisées ou mal fixées entraînent un trait de scie rétréci, provoquant trop de frottements, un grippage de la lame et un recul.
- ▶ **La profondeur de la lame et les leviers de verrouillage et de réglage du biseau doivent être solides et stables avant de réaliser la coupe.** Si l'ajustement de la lame dérive pendant la coupe, cela peut provoquer un grippage et un recul.
- ▶ **Soyez d'autant plus prudent lorsque vous découpez des parois existantes ou d'autres zones sans visibilité.** La lame saillante peut couper des objets qui peuvent entraîner un recul.

Fonctionnement du protecteur inférieur

- ▶ **Vérifiez que le protecteur inférieur soit bien fermé avant chaque utilisation. Ne mettez pas la scie en marche si le protecteur inférieur ne se déplace pas librement et ne se ferme pas instantanément. Ne serrez jamais ou n'attachez jamais le protecteur inférieur en position ouverte.** Si la scie tombe accidentellement, le protecteur inférieur peut se tordre. Soulevez le protecteur inférieur avec la poignée rétractive et assurez-vous qu'il bouge librement et n'est pas en contact avec la lame ou toute autre partie, à tous les angles et profondeurs de coupe.
- ▶ **Vérifiez le fonctionnement du ressort du protecteur inférieur. Si le protecteur et le ressort ne fonctionnent pas correctement, ils doivent être révisés avant utilisation.** Le protecteur inférieur peut fonctionner lentement en raison d'éléments endommagés, de dépôts collants ou de l'accumulation de débris.
- ▶ **Le protecteur inférieur peut revenir se loger manuellement uniquement pour les coupes particulières telles que les «coupes plongantes» et les «coupes complexes».** Soulevez le protecteur inférieur par la poignée rétractive et, dès que la lame entre dans le matériau, le protecteur inférieur doit être relâché. Pour toutes les autres découpes, il convient que le protecteur inférieur fonctionne automatiquement.
- ▶ **Vérifiez toujours que le protecteur inférieur recouvre la lame avant de poser la scie sur un établi ou sur le sol.** Une lame non protégée et continuant à fonctionner par inertie entraînera la scie en arrière, et coupera alors tout ce qui se trouve sur sa trajectoire. Soyez conscient du temps nécessaire à la lame pour s'arrêter après que l'interrupteur est relâché.

Consignes de sécurité additionnelles

- ▶ **Ne mettez jamais la main dans l'éjecteur de copeaux.** Vous risqueriez d'être blessé par des pièces en rotation.
- ▶ **N'utilisez pas la scie pour effectuer des travaux en hauteur.** Il est alors difficile de bien maîtriser l'outil électroportatif.
- ▶ **Utilisez un détecteur approprié pour vérifier s'il n'y a pas de conduites cachées ou contactez votre société de distribution d'eau locale.** Tout contact avec des câbles électriques peut provoquer un incendie ou un choc

électrique. Tout endommagement d'une conduite de gaz peut provoquer une explosion. La perforation d'une conduite d'eau provoque des dégâts matériels et peut provoquer un choc électrique.

- ▶ **N'utilisez pas l'outil électroportatif de manière stationnaire.** Il n'est pas conçu pour être utilisé avec une table de sciage.
- ▶ **Pour effectuer des coupes plongantes non perpendiculaires, faites en sorte que la semelle de la scie ne risque pas de se déplacer latéralement.** Un déplacement latéral risque de provoquer le blocage de la lame et donc un phénomène de rebond.
- ▶ **N'utilisez pas de lames en acier HSS (acier super rapide).** De telles lames se cassent facilement.
- ▶ **Ne sciez pas des métaux ferreux.** Les copeaux incandescents risquent d'enflammer le dispositif d'aspiration de poussières.
- ▶ **Avant de poser l'outil électroportatif, attendez que celui-ci soit complètement à l'arrêt.** L'outil risque de se coincer, ce qui entraînerait une perte de contrôle de l'outil électroportatif.
- ▶ **Lors du travail, tenez fermement l'outil électroportatif des deux mains et veillez à toujours garder une position de travail stable.** Avec les deux mains, l'outil électroportatif est guidé en toute sécurité.

Description des prestations et du produit



Lisez attentivement toutes les instructions et consignes de sécurité. Le non-respect des instructions et consignes de sécurité peut provoquer un choc électrique, un incendie et/ou entraîner de graves blessures.

Référez-vous aux illustrations qui se trouvent à l'avant de la notice d'utilisation.

Utilisation conforme

L'outil électroportatif est conçu pour réaliser, à l'aide d'un support stable, des coupes longitudinales et transversales droites et biaisées dans le bois.

Il ne convient pas à la découpe de métaux ferreux.

Éléments constitutifs

La numérotation des éléments de l'appareil se réfère à la représentation de l'outil électroportatif sur la page graphique.

- (1) Capot de protection
- (2) Bouton de blocage de l'interrupteur Marche/Arrêt (3 601 EA2 0K./3 601 EA2 0L./3 601 EA2 0F.)
- (2) Verrouillage d'enclenchement de l'interrupteur Marche/Arrêt (3 601 EA2 08./3 601 EA2 0B./3 601 EA2 04./3 601 EA2 00./3 601 EA2 07.)
- (3) Interrupteur Marche/Arrêt
- (4) Poignée supplémentaire

- (5) Touche de blocage de broche
 - (6) Échelle graduée d'angles d'inclinaison
 - (7) Vis papillon pour présélection de l'angle d'inclinaison
 - (8) Vis papillon pour la butée parallèle
 - (9) Marquage de coupe à 45°
 - (10) Marquage de coupe à 0°
 - (11) Butée parallèle
 - (12) Capot de protection à mouvement pendulaire
 - (13) Levier de réglage pour capot de protection à mouvement pendulaire
 - (14) Plaque de base
 - (15) Vis papillon pour présélection de l'angle d'inclinaison
 - (16) Éjecteur de copeaux
 - (17) Clé mâle pour vis à six pans creux
 - (18) Vis de serrage avec rondelle
 - (19) Flasque de serrage
 - (20) Lame de scie circulaire ^{A)}
 - (21) Flasque porte-outil
 - (22) Broche de scie
 - (23) Vis de fixation de l'adaptateur aspirant ^{A)}
 - (24) Adaptateur aspirant ^{A)}
 - (25) Levier de serrage pour présélection de la profondeur de coupe
 - (26) Échelle graduée de profondeur de coupe
 - (27) Serre-joint ^{A)}
 - (28) Poignée (surface de préhension isolée)
- A) Les accessoires décrits ou illustrés ne sont pas tous compris dans la fourniture. Vous trouverez les accessoires complets dans notre gamme d'accessoires.

Caractéristiques techniques

Scie circulaire à main		GKS 235 Turbo	GKS 235 Turbo	GKS 9
Référence		3 601 EA2 0..	3 601 EA2 0B.	3 601 EA2 00. 3 601 EA2 07.
Puissance absorbée nominale	W	2050	2050	2050
Régime à vide	osc/min	5300	5300	5300
Régime maxi sous charge	osc/min	3500	3500	3500
Profondeur de coupe max.				
– pour un angle d'onglet de 0°	mm	85	85	85
– pour un angle d'onglet de 45°	mm	65	65	65
Blocage de broche		●	●	●
Dimensions plaque de base	mm	383 x 170	383 x 170	383 x 170
Diamètre de lame de scie max.	mm	235	235	235
Diamètre de lame de scie min.	mm	230	230	230
Épaisseur de lame max.	mm	2,2	2,2	2,2
Épaisseur max. de lame avec dents/ avec dents avoyées	mm	3,2	3,2	3,2
Épaisseur min. de lame avec dents/ avec dents avoyées	mm	2,0	2,0	2,0
Trou de positionnement	mm	25	25,4	30
Poids selon EPTA-Procédure 01:2014	kg	7,6	7,6	7,6
Indice de protection		□/II	□/II	□/II

Seulement pour les outils électroportatifs sans limitation du courant de démarrage : les mises en marche provoquent des creux de tension passagers. En cas de conditions réseau défavorables, le fonctionnement d'autres appareils risque alors d'être perturbé. Si l'impédance du réseau est inférieure à 0,14 Ohm, le risque de perturbation est minime.

Les données indiquées sont valables pour une tension nominale [U] de 230 V. Elles peuvent varier lorsque la tension diffère de cette valeur et sur certaines versions destinées à certains pays.

Informations sur le niveau sonore / les vibrations

Valeurs d'émissions sonores déterminées selon la norme
EN 62841-2-5.

Le niveau sonore en dB(A) typique de l'outil électroportatif est de : niveau de pression acoustique **92 dB(A)** ; niveau de puissance acoustique **103 dB(A)**. Incertitude K = **3 dB**.

Portez un casque antibruit !

Valeurs globales de vibration a_{hv} (somme vectorielle sur les trois axes) et incertitude K conformément à **EN 62841-2-5** :
Sciage du bois : $a_{hv} = 3,3 \text{ m/s}^2$, $K = 1,5 \text{ m/s}^2$

Le niveau de vibration et la valeur d'émission sonore indiqués dans cette notice d'utilisation ont été mesurés conformément à la norme EN 62841 et peuvent être utilisés pour une comparaison entre les outils électroportatifs. Ils peuvent aussi servir de base à une estimation préliminaire du taux de vibration et du niveau sonore.

Le niveau de vibration et la valeur d'émission sonore indiqués s'appliquent pour les utilisations principales de l'outil électroportatif. Si l'outil électroportatif est utilisé pour d'autres applications, avec d'autres accessoires de travail ou sans avoir fait l'objet d'un entretien régulier, le niveau de vibration et la valeur d'émission sonore peuvent différer. Il peut en résulter des vibrations et un niveau sonore nettement plus élevés pendant toute la durée de travail.

Pour une estimation précise du niveau de vibration et du niveau sonore, il faut aussi prendre en considération les périodes pendant lesquelles l'outil est éteint ou bien en marche sans être vraiment en action. Il peut en résulter au final un niveau de vibration et un niveau sonore nettement plus faibles pendant toute la durée de travail.

Prévoyez des mesures de protection supplémentaires permettant de protéger l'utilisateur de l'effet des vibrations, par exemple : maintenance de l'outil électroportatif et des accessoires de travail, maintien des mains au chaud, organisation des procédures de travail.

Montage

- ▶ **N'utilisez que des lames de scie dont la vitesse de rotation maximale admissible est supérieure au régime à vide de votre outil électroportatif.**

Montage/changement de la lame de scie

- ▶ **Débranchez le câble d'alimentation de la prise avant d'effectuer des travaux quels qu'il soient sur l'outil électroportatif.**
- ▶ **Portez toujours des gants de protection pour monter la lame de scie.** Lors d'un contact avec la lame de scie, il y a un risque de blessures.
- ▶ **N'utilisez que des lames de scie conformes aux caractéristiques techniques indiquées dans la présente notice d'utilisation et aux données techniques inscrites sur l'outil électroportatif.**
- ▶ **La vitesse maximale admissible de l'accessoire doit être au moins égale à la vitesse maximale indiquée sur l'outil électroportatif.** Les accessoires qui tournent plus vite que leur vitesse maximale admissible peuvent se rompre et voler en éclat.
- ▶ **N'utilisez jamais de roues abrasives comme accessoire de travail.**

Choix de la lame de scie

Vous trouverez une vue d'ensemble des lames de scie recommandées à la fin de cette notice d'utilisation.

Démontage de la lame de scie (voir figure A)

Pour changer l'outil, le mieux est de poser l'outil électroportatif sur la partie avant du carter moteur.

- Appuyez sur la touche de blocage de broche **(5)** et maintenez-la enfoncée.
- ▶ **N'actionnez la touche de blocage de broche (5) que lorsque la broche d'entraînement est à l'arrêt.** L'outil électroportatif risque sinon d'être endommagé.
- Dévissez avec la clé hexagonale mâle **(17)** la vis de serrage **(18)** dans le sens de rotation **⌚**.
- Remplacez le capot de protection à mouvement pendulaire **(12)** et tenez-le fermement.
- Retirez la flasque de serrage **(19)** et la lame de scie **(20)** de la broche d'entraînement **(22)**.

Montage de la lame (voir figure A)

Pour changer l'outil, le mieux est de poser l'outil électroportatif sur la partie avant du carter moteur.

- Nettoyez la lame de scie **(20)** et tous les éléments de serrage à monter.
- Remplacez le capot de protection à mouvement pendulaire **(12)** et tenez-le fermement.
- Placez la lame de scie **(20)** sur la bride porte-outil **(21)**. Le sens de coupe des dents (direction de la flèche sur la lame de scie) et la flèche indiquant le sens de rotation sur le capot de protection **(1)** doivent coïncider.
- Placez la flasque de serrage **(19)** et vissez la vis de serrage **(18)** dans le sens de rotation **⌚**. Veillez à la position de montage correcte de la bride porte-outil **(21)** et de la flasque de serrage **(19)**.
- Appuyez sur la touche de blocage de broche **(5)** et maintenez-la enfoncée.
- Utilisez la clé hexagonale mâle **(17)** pour serrer la vis de serrage **(18)** dans le sens de rotation **⌚**. Le couple de serrage doit être de 10 à 12 Nm, ce qui correspond à un serrage manuel plus $\frac{1}{4}$ de tour.

Aspiration de poussières/de copeaux

Les poussières de matériaux tels que peintures contenant du plomb, certains bois, minéraux ou métaux, peuvent être nuisibles à la santé. Le contact avec les poussières ou leur inhalation peut entraîner des réactions allergiques et/ou des maladies respiratoires auprès de l'utilisateur ou des personnes se trouvant à proximité.

Certaines poussières telles que les poussières de chêne ou de hêtre sont considérées comme cancérogènes, surtout en association avec des additifs pour le traitement du bois (chromate, lasure). Les matériaux contenant de l'amiante ne doivent être travaillés que par des personnes qualifiées.

- Si possible, utilisez un dispositif d'aspiration des poussières approprié au matériau.
- Veillez à bien aérer la zone de travail.

- Il est recommandé de porter un masque respiratoire avec un niveau de filtration de classe P2.

Respectez les règlements spécifiques aux matériaux à traiter en vigueur dans votre pays.

- ▶ **Évitez toute accumulation de poussières sur le lieu de travail.** Les poussières peuvent facilement s'enflammer.

Monter l'adaptateur d'aspiration (voir figure B)

Enfoncez l'adaptateur d'aspiration (24) sur l'éjecteur de copeaux (16) jusqu'au clic. Sécurisez l'adaptateur d'aspiration (24) avec la vis (23).

Il est possible de raccorder à l'adaptateur d'aspiration (24) un flexible d'aspiration d'un diamètre de 35 mm.

- ▶ **L'adaptateur d'aspiration ne doit pas être monté si aucune aspiration externe n'est raccordée.** Le canal d'aspiration risque sinon d'être obturé.
- ▶ **Ne pas raccorder un sac à poussières sur l'adaptateur d'aspiration.** Le système d'aspiration risque sinon d'être obturé.

Nettoyez l'adaptateur d'aspiration (24) à intervalles réguliers afin d'assurer une bonne récupération des poussières.

Aspiration au moyen d'un aspirateur

Cet outil électroportatif peut être branché directement sur la prise d'un aspirateur universel Bosch avec commande à distance. L'aspirateur se met automatiquement en marche dès que l'outil électroportatif est mis en service.

L'aspirateur doit être conçu pour le type de matériau à aspirer.

Pour l'aspiration de poussières particulièrement nuisibles à la santé, cancérigènes ou sèches, utilisez un aspirateur spécial.

En Allemagne, la directive TRGS 553 impose l'utilisation de dispositifs d'aspiration pour les poussières de bois : l'aspiration directe au moyen de filtres est interdite dans le domaine professionnel. Pour les autres matériaux, le professionnel qui utilise l'outil professionnel doit se conformer aux exigences spécifiques de l'association professionnelle compétente.

Utilisation

Modes de fonctionnement

- ▶ **Débranchez le câble d'alimentation de la prise avant d'effectuer des travaux quels qu'il soient sur l'outil électroportatif.**

Réglage de la profondeur de coupe (voir figure C)

- ▶ **Adaptez la profondeur de coupe à l'épaisseur de la pièce.** Il convient que moins de la totalité d'une dent parmi toutes les dents de la lame soit visible sous la pièce à travailler.

Desserrez le levier de serrage (25). Pour réduire la profondeur de coupe, éloignez la scie de la plaque de base (14), pour l'augmenter, rapprochez la scie de la plaque (14). Régler la mesure souhaitée sur la graduation de la profondeur de coupe. Resserrez le levier de serrage (25).

La force de serrage du levier de serrage (25) peut être réajustée. Desserrez à cet effet le levier de serrage (25) et serrez-le à nouveau d'au moins 30° dans le sens antihoraire.

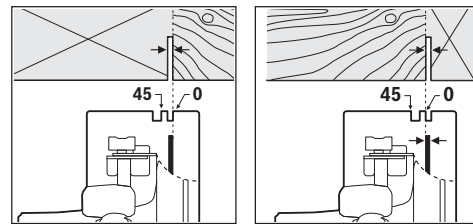
Réglage de l'angle d'inclinaison

Nous recommandons de poser l'outil électroportatif sur la partie avant du capot de protection (1).

Desserrez les vis papillon (7) et (15). Faites basculer la scie latéralement. Réglez la mesure souhaitée sur la graduation (6). Resserrez bien les vis papillon (7) et (15).

Remarque : Lors des coupes d'onglet, la profondeur de coupe est plus faible que la valeur indiquée sur la graduation de profondeur de coupe (26).

Marquages de la ligne de coupe



Le marquage de coupe 0° (10) indique la position de la lame de scie lors d'une coupe à angle droit. Le marquage de coupe 45° (9) indique la position de la lame de scie lors d'une coupe à angle de 45°.

Afin d'obtenir une coupe de grande précision dimensionnelle, positionnez la scie circulaire conformément aux indications sur la figure sur la pièce à travailler. Le mieux est d'effectuer une coupe d'essai.

Mise en marche

- ▶ **Tenez compte de la tension du réseau ! La tension de la source de courant doit correspondre aux indications se trouvant sur la plaque signalétique de l'outil électroportatif. Les outils électroportatifs marqués 230 V peuvent également fonctionner sur 220 V.**

Mise en marche/arrêt

- ▶ **Assurez-vous de pouvoir actionner l'interrupteur Marche/Arrêt sans avoir à relâcher la poignée.**

3 601 EA2 0K./3 601 EA2 0L./3 601 EA2 0F.:

Pour **mettre en marche** l'outil électroportatif, actionnez l'interrupteur Marche/Arrêt (3) et maintenez-le enfoncé.

Pour **bloquer** l'interrupteur Marche/Arrêt (3), appuyez en même temps sur la touche de blocage (2).

Pour **arrêter** l'outil électroportatif, relâchez l'interrupteur Marche/Arrêt (3) et, s'il est bloqué avec le bouton de blocage (2), appuyez brièvement sur l'interrupteur Marche/Arrêt (3) puis relâchez-le.

3 601 EA2 08./3 601 EA2 0B./3 601 EA2 04./3 601 EA2 00./3 601 EA2 07. :

Pour **démarrer** l'outil électroportatif, actionnez d'abord l'interrupteur de déverrouillage (2) et appuyez **ensuite** sur l'interrupteur Marche/Arrêt (3) en le maintenant enfoncé.

Pour **arrêter** l'outil électroportatif, l'interrupteur Marche/Arrêt **(3)**.

Remarque : Pour des raisons de sécurité, il n'est pas possible de verrouiller l'interrupteur Marche/Arrêt **(3)**, qui doit rester constamment enfoncé pendant le travail de sciage.

Instructions d'utilisation

Protégez les lames contre les chocs et les coups.

Guider l'outil électroportatif de façon régulière et en effectuant une avance modérée dans le sens de la coupe. Une avance trop forte réduit considérablement la durée de vie des outils électroportatifs et peut endommager l'outil électroportatif.

La puissance et la qualité de la coupe dépendent dans une large mesure de l'état et de la forme des dents de la lame de scie. En conséquence, n'utilisez que des lames de scie aiguisées et appropriées aux matériaux à travailler.

Sciage de bois

Le bon choix de la lame de scie dépend de la nature et de la qualité du bois et du type de coupe à savoir longitudinale ou transversale.

La découpe longitudinale de l'épicéa entraîne la formation de longs copeaux en spirale.

Les poussières de hêtre et de chêne étant particulièrement toxiques, il est recommandé d'utiliser systématiquement un système d'aspiration.

Sciage avec butée parallèle (voir figure D)

La butée parallèle **(11)** permet des coupes précises le long du bord de la pièce ou la découpe de bandes régulières.

Desserrez les vis papillon **(8)** et faites passer la graduation de la butée parallèle **(11)** à travers le guidage de la plaque de base **(14)**. Ajustez la largeur de coupe souhaitée sur l'échelle graduée se trouvant sur le marquage de coupe **(10)** ou **(9)**, voir rubrique « Marquage de coupe ». Resserrez bien la vis papillon **(8)**.

Sciage avec butée auxiliaire (voir figure E)

Pour travailler des pièces de dimensions importantes ou pour couper des bords droits, il est possible de monter une planche ou une barre comme butée auxiliaire sur la pièce à travailler et de guider la scie circulaire avec la plaque de base le long de la butée auxiliaire.

Entretien et Service après-vente

Nettoyage et entretien

- ▶ **Débranchez le câble d'alimentation de la prise avant d'effectuer des travaux quels qu'il soient sur l'outil électroportatif.**
- ▶ **Tenez toujours propres l'outil électroportatif ainsi que les fentes de ventilation afin d'obtenir un travail impeccable et sûr.**

Dans le cas où un remplacement du câble d'alimentation s'avère nécessaire, confiez la réparation à Bosch ou à un centre de Service après-vente agréé pour outillage Bosch afin d'éviter de compromettre la sécurité.

Le capot de protection à mouvement pendulaire doit toujours pouvoir bouger librement et fermer automatiquement. Veillez pour cela à ce que le pourtour du capot de protection à mouvement pendulaire reste propre. Enlevez la poussière et les copeaux à l'aide d'un pinceau.

Les lames de scie sans revêtement de protection peuvent être protégées des risques de corrosion en appliquant une fine couche d'huile non acide. Avant le sciage, enlevez l'huile pour ne pas encrasser le bois.

Les restes de résine ou de colle se trouvant sur la lame de scie entravent la qualité de coupe. En conséquence, nettoyez les lames de scie immédiatement après utilisation.

Service après-vente et conseil utilisateurs

Notre Service après-vente répond à vos questions concernant la réparation et l'entretien de votre produit et les pièces de rechange. Vous trouverez des vues éclatées et des informations sur les pièces de rechange sur le site : www.bosch-pt.com

L'équipe de conseil utilisateurs Bosch se tient à votre disposition pour répondre à vos questions concernant nos produits et leurs accessoires.

www.powertool-portal.de, le portail Internet pour artisans et bricoleurs.

Pour toute demande de renseignement ou commande de pièces de rechange, précisez impérativement la référence à 10 chiffres figurant sur l'étiquette signalétique du produit.

Algérie

Siestal
Zone Industrielle Ihaddaden
06000 Bejaia
Tel. : +213 (0) 982 400 991/2
Fax : +213 (0) 3 420 1569
E-Mail : sav@siestal-dz.com

Maroc

Robert Bosch Morocco SARL
53, Rue Lieutenant Mahroud Mohamed
20300 Casablanca
E-Mail : sav.outillage@ma.bosch.com

Tunisie

Robert Bosch Tunisie SARL
7 Rue Ibn Battouta Z.I. Saint Gobain
Mégrine Riadh
2014 Ben Arous
Tél. : +216 71 427 496/879
Fax : +216 71 428 621
E-Mail : sav.outillage@tn.bosch.com

Côte d'Ivoire

Rimco
ZONE 3, 9 RUE DU CANAL
01 BP V230, Abidjan 01
Tel. : +225 21 25 93 38

Sénégal

Bernabé
Km 2,5 – Bd du Centenaire de la Commune de Dakar
B.P. 2098 DAKAR

Tel. : +221 33 849 01 01
Fax : +221 33 823 34 20

Élimination des déchets

Les outils électroportatifs, ainsi que leurs accessoires et emballages, doivent pouvoir suivre chacun une voie de recyclage appropriée.



Ne jetez pas les outils électroportatifs avec les ordures ménagères !

Seulement pour les pays de l'UE :

Conformément à la directive européenne 2012/19/UE relative aux déchets d'équipements électriques et électroniques et sa mise en vigueur conformément aux législations nationales, les outils électroportatifs dont on ne peut plus se servir doivent être isolés et suivre une voie de recyclage appropriée.



Português

Instruções de segurança

Instruções gerais de segurança para ferramentas eléctricas

⚠ AVISO

Devem ser lidas todas as indicações de segurança,

instruções, ilustrações e especificações desta ferramenta eléctrica. O desrespeito das instruções apresentadas abaixo poderá resultar em choque eléctrico, incêndio e/ou ferimentos graves.

Guarde bem todas as advertências e instruções para futura referência.

O termo "ferramenta eléctrica" utilizado a seguir nas indicações de advertência, refere-se a ferramentas eléctricas operadas com corrente de rede (com cabo de rede) e a ferramentas eléctricas operadas com acumulador (sem cabo de rede).

Segurança da área de trabalho

- ▶ **Mantenha a sua área de trabalho sempre limpa e bem iluminada.** Desordem ou áreas de trabalho insuficientemente iluminadas podem levar a acidentes.
- ▶ **Não trabalhar com a ferramenta eléctrica em áreas com risco de explosão, nas quais se encontrem líquidos, gases ou pós inflamáveis.** Ferramentas eléctricas produzem faíscas, que podem inflamar pós ou vapores.
- ▶ **Manter crianças e outras pessoas afastadas da ferramenta eléctrica durante a utilização.** No caso de distração é possível que perca o controlo sobre o aparelho.

Segurança eléctrica

- ▶ **A ficha de conexão da ferramenta eléctrica deve caber na tomada. A ficha não deve ser modificada de maneira alguma. Não utilizar uma ficha de adaptação junto com ferramentas eléctricas protegidas por ligação à terra.** Fichas não modificadas e tomadas apropriadas reduzem o risco de um choque eléctrico.
- ▶ **Evitar que o corpo possa entrar em contacto com superfícies ligadas à terra, como tubos, aquecimentos, fogões e frigoríficos.** Há um risco elevado devido a um choque eléctrico, se o corpo estiver ligado à terra.
- ▶ **Manter o aparelho afastado de chuva ou humidade.** A infiltração de água numa ferramenta eléctrica aumenta o risco de choque eléctrico.
- ▶ **Não deverá utilizar o cabo para outras finalidades. Nunca utilizar o cabo para transportar a ferramenta eléctrica, para pendurá-la, nem para puxar a ficha da tomada. Manter o cabo afastado do calor, do óleo, de arestas afiadas ou de peças em movimento.** Cabos danificados ou emaranhados aumentam o risco de um choque eléctrico.
- ▶ **Se trabalhar com uma ferramenta eléctrica ao ar livre, só deverá utilizar cabos de extensão apropriados para áreas exteriores.** A utilização de um cabo de extensão apropriado para áreas exteriores reduz o risco de um choque eléctrico.
- ▶ **Se não for possível evitar o funcionamento da ferramenta eléctrica em áreas húmidas, deverá ser utilizado um disjuntor de corrente de avaria.** A utilização de um disjuntor de corrente de avaria reduz o risco de um choque eléctrico.

Segurança de pessoas

- ▶ **Esteja atento, observe o que está a fazer e tenha prudência ao trabalhar com a ferramenta eléctrica. Não utilizar uma ferramenta eléctrica quando estiver fatigado ou sob a influência de drogas, álcool ou medicamentos.** Um momento de descuido ao utilizar a ferramenta eléctrica, pode levar a lesões graves.
- ▶ **Utilizar equipamento de protecção individual. Utilizar sempre óculos de protecção.** A utilização de equipamento de protecção pessoal, como máscara de protecção contra pó, sapatos de segurança antiderrapantes, capacete de segurança ou protecção auricular, de acordo com o tipo e aplicação da ferramenta eléctrica, reduz o risco de lesões.
- ▶ **Evitar uma colocação em funcionamento involuntária. Assegure-se de que a ferramenta eléctrica esteja desligada, antes de conectá-la à alimentação de rede e/ou ao acumulador, antes de levantá-la ou de transportá-la.** Se tiver o dedo no interruptor ao transportar a ferramenta eléctrica ou se o aparelho for conectado à alimentação de rede enquanto estiver ligado, poderão ocorrer acidentes.
- ▶ **Remover ferramentas de ajuste ou chaves de boca antes de ligar a ferramenta eléctrica.** Uma ferramenta

ou chave que se encontre numa parte do aparelho em movimento pode levar a lesões.

- ▶ **Evite uma posição anormal. Mantenha uma posição firme e mantenha sempre o equilíbrio.** Desta forma é mais fácil controlar a ferramenta eléctrica em situações inesperadas.
- ▶ **Usar roupa apropriada. Não usar roupa larga nem jóias. Mantenha os cabelos e roupas afastados de peças em movimento.** Roupas frouxas, cabelos longos ou jóias podem ser agarrados por peças em movimento.
- ▶ **Se for possível montar dispositivos de aspiração ou de recolha, assegure-se de que estejam conectados e utilizados correctamente.** A utilização de uma aspiração de pó pode reduzir o perigo devido ao pó.
- ▶ **Não deixe que a familiaridade resultante de uma utilização frequente de ferramentas permita que você se torne complacente e ignore os princípios de segurança da ferramenta.** Uma acção descuidada pode causar ferimentos graves numa fracção de segundo.

Utilização e manuseio cuidadoso de ferramentas eléctricas

- ▶ **Não sobrecarregue a ferramenta eléctrica. Utilize a ferramenta eléctrica apropriada para o seu trabalho.** É melhor e mais seguro trabalhar com a ferramenta eléctrica apropriada na área de potência indicada.
- ▶ **Não utilizar uma ferramenta eléctrica com um interruptor defeituoso.** Uma ferramenta eléctrica que não pode mais ser ligada nem desligada, é perigosa e deve ser reparada.
- ▶ **Puxar a ficha da tomada e/ou remover o acumulador, se amovível, antes de executar ajustes na ferramenta eléctrica, de substituir acessórios ou de guardar as ferramentas eléctricas.** Esta medida de segurança evita o arranque involuntário da ferramenta eléctrica.
- ▶ **Guardar ferramentas eléctricas não utilizadas fora do alcance de crianças e não permitir que as pessoas que não estejam familiarizadas com o aparelho ou que não tenham lido estas instruções utilizem o aparelho.** Ferramentas eléctricas são perigosas se forem utilizadas por pessoas inexperientes.
- ▶ **Tratar a ferramenta eléctrica e os acessórios com cuidado. Controlar se as partes móveis do aparelho funcionam perfeitamente e não emperram, e se há peças quebradas ou danificadas que possam prejudicar o funcionamento da ferramenta eléctrica. Permitir que peças danificadas sejam reparadas antes da utilização.** Muitos acidentes têm como causa, a manutenção insuficiente de ferramentas eléctricas.
- ▶ **Manter as ferramentas de corte afiadas e limpas.** Ferramentas de corte cuidadosamente tratadas e com cantos de corte afiados emperram com menos frequência e podem ser conduzidas com maior facilidade.
- ▶ **Utilizar a ferramenta eléctrica, acessórios, ferramentas de aplicação, etc. conforme estas instruções. Considerar as condições de trabalho e a tarefa a ser executada.** A utilização de ferramentas

eléctricas para outras tarefas a não ser as aplicações previstas, pode levar a situações perigosas.


- ▶ **Mantenha os punhos e as superfícies de agarrar secas, limpas e livres de óleo e massa consistente.** Punhos e superfícies de agarrar escorregadias não permitem o manuseio e controle seguros da ferramenta em situações inesperadas.

Serviço

- ▶ **Só permita que o seu aparelho seja reparado por pessoal especializado e qualificado e só com peças de reposição originais.** Desta forma é assegurado o funcionamento seguro do aparelho.

Instruções de segurança para serras circulares

Procedimentos de corte

- ▶  **PERIGO: Mantenha as mãos afastadas da zona de corte e do disco. Mantenha a segunda mão no punho auxiliar ou na carcaça do motor.** Se usar ambas as mãos para segurar a serra, estas não poderão ser cortadas pelo disco.
- ▶ **Não coloque as mãos por baixo da peça de trabalho.** A proteção não o protege do disco por baixo da peça de trabalho.
- ▶ **Ajuste a profundidade de corte à espessura da peça de trabalho.** Deverá estar visível menos de um dente completo dos dentes do disco por baixo da peça de trabalho.
- ▶ **Nunca apoie a peça nas suas mãos ou sobre a perna enquanto efetua o corte. Fixe a peça numa plataforma estável.** É importante suportar o corpo de forma adequada para minimizar a exposição deste, o bloqueio do disco ou a perda de controlo.
- ▶ **Segure a ferramenta eléctrica nas superfícies de agarrar isoladas, ao executar uma operação onde a ferramenta de corte possa entrar em contacto com cabos escondidos ou com o próprio cabo.** O contacto com um fio "sob tensão" irá colocar as partes metálicas expostas da ferramenta eléctrica também "sob tensão" e pode dar um choque elétrico ao operador.
- ▶ **Ao efetuar cortes longitudinais, utilize sempre a guia de corte ou a guia de aresta reta.** Isto melhora a precisão de corte e reduz o risco de bloqueio do disco.
- ▶ **Utilize sempre discos com furos interiores com tamanho e forma corretos (diamante versus redondo).** Os discos que não coincidam com o hardware de montagem da serra ficam descentrados, causando perda de controlo.
- ▶ **Nunca utilize anilhas ou um parafuso de disco danificados ou incorretos.** As anilhas e o parafuso de disco foram especialmente concebidos para a sua serra, para excelente rendimento e uma operação segura.

Causas do efeito de coice e indicações relacionadas

- o efeito de coice é uma reação súbita a um disco de serra entalado, bloqueado ou desalinhado, causando um

levantamento descontrolado da serra e a sua saída da peça de trabalho em direção ao operador;

- quando o disco é entalado ou bloqueado fortemente pelo corte a fechar, o disco para e a reação do motor aciona a unidade rapidamente para trás, em direção ao operador;
- se o disco ficar torcido ou desalinhado no corte, os dentes no chanfro posterior do disco podem entrar na superfície superior da madeira fazendo com que o disco suba para fora do corte e salte para trás, em direção ao operador.

O efeito de coice é o resultado de uma utilização abusiva e/ou condições ou procedimentos incorretos de utilização da serra e pode ser evitado tomando as precauções indicadas abaixo.

- ▶ **Segure a serra com firmeza com as duas mãos e posicione os braços de forma a poder resistir ao efeito de coice. Posicione o seu corpo de qualquer lado do disco, mas não em linha com este.** O efeito de coice pode fazer com que a serra salte para trás, mas as forças do efeito de coice podem ser controladas pelo operador se forem tomadas as devidas precauções.
- ▶ **Quando o disco está bloqueado ou se interromper um corte por qualquer motivo, solte o botão e mantenha a serra imóvel até que o disco pare por completo. Nunca tente retirar a serra da peça ou puxar a serra para trás enquanto o disco estiver em funcionamento, caso contrário pode ocorrer efeito de coice.** Investigue e tome as medidas necessárias para eliminar a causa do bloqueio do disco.
- ▶ **Quando reiniciar a serra com o disco na peça, centre o disco de serra no corte para que os dentes da serra não fiquem engatados no material.** Se um disco de serra bloquear, pode subir ou ressaltar da peça quando a serra é reiniciada.
- ▶ **Apoie painéis grandes para reduzir o risco de entalamento e o efeito de coice do disco.** Os painéis grandes tendem a abater sob o seu próprio peso. Coloque suportes sob o painel, de ambos os lados, junto à linha de corte e junto da extremidade do painel.
- ▶ **Não utilize discos rombos ou danificados.** Os discos não afiados ou mal ajustados produzem um corte estreito, causando fricção excessiva, bloqueio do disco e efeito de coice.
- ▶ **As alavancas de bloqueio do ajuste da profundidade do disco e do chanfro têm de estar apertadas e fixas antes de fazer o corte.** Se o ajuste do disco se deslocar durante o corte, pode causar o bloqueio e o efeito de coice do disco.
- ▶ **Tenha especial cuidado ao efetuar cortes em paredes existentes ou noutras áreas cegas.** O disco protuberante pode cortar objetos que podem provocar um efeito de coice.

Função da proteção inferior

- ▶ **Verifique se a proteção inferior está bem fechada antes de cada utilização. Não opere a lâmina se a proteção inferior não se deslocar livremente e fechar de imediato. Nunca fixe ou prenda a proteção inferior**

na posição aberta. Se a serra cair acidentalmente, a proteção inferior pode ficar torcida. Levante a proteção inferior com o punho retrátil e certifique-se de que se desloca livremente e não toca no disco ou em qualquer outra parte, em todos os ângulos e profundidades de corte.

- ▶ **Verifique a operação da mola da proteção inferior. Se a proteção e a mola não estiverem a funcionar corretamente, têm de ser reparadas antes da utilização.** A proteção inferior pode funcionar lentamente devido a peças danificadas, depósitos pegajosos ou acumulação de resíduos.
- ▶ **A proteção inferior pode ser retraída manualmente apenas para cortes especiais, como "cortes de imersão" e "cortes compostos". Levante a proteção inferior pelo punho retrátil e assim que o disco entrar no material, a proteção inferior tem de ser solta.** Para todos os outros cortes, a proteção inferior deve operar automaticamente.
- ▶ **Verifique sempre se a proteção inferior está a cobrir o disco antes de colocar a serra sobre a bancada ou no chão.** Um disco desprotegido, a rodar livremente, irá fazer com que a serra se desloque para trás, cortando tudo o que estiver pelo caminho. Tenha atenção ao tempo que leva o disco a parar depois de soltar o botão.

Instruções de segurança adicionais

- ▶ **Não insira as mãos na remoção de aparas.** Pode sofrer ferimentos nas peças em rotação.
- ▶ **Não trabalhe com a serra acima do nível da cabeça.** Se o fizer, não terá controlo suficiente sobre a ferramenta elétrica.
- ▶ **Utilizar detetores apropriados, para encontrar cabos escondidos, ou consulte a companhia elétrica local.** O contacto com cabos elétricos pode provocar fogo e choques elétricos. Danos em tubos de gás podem levar à explosão. A penetração num cano de água causa danos materiais ou pode provocar um choque elétrico.
- ▶ **Não opere a ferramenta elétrica de forma estacionária.** Ela não é adequada para o funcionamento com mesa de serrar.
- ▶ **Ao fazer um "corte de imersão" que não é executado em ângulo reto, proteja a placa de guia contra deslocamento lateral.** Um deslocamento lateral pode fazer com que o disco de serra emperre, provocando um contragolpe.
- ▶ **Não use discos de serra de aço HSS.** Estes discos de serra podem quebrar facilmente.
- ▶ **Não serre metais ferrosos.** As aparas quentes podem incendiar o sistema de aspiração de pó.
- ▶ **Espere que a ferramenta elétrica pare completamente, antes de depositá-la.** A ferramenta de aplicação pode emperrear e levar à perda de controlo sobre a ferramenta elétrica.
- ▶ **Durante o trabalho, segure a ferramenta elétrica com as duas mãos e providencie uma estabilidade segura.**

A ferramenta elétrica é conduzida com maior segurança com ambas as mãos.

Descrição do produto e do serviço



Leia todas as instruções de segurança e instruções. A inobservância das instruções de segurança e das instruções pode causar choque elétrico, incêndio e/ou ferimentos graves.

Respeite as figuras na parte da frente do manual de instruções.

Utilização adequada

A ferramenta elétrica é adequada para executar cortes longitudinais e transversais sobre apoios fixos em madeira, com um traçado de corte a direito ou em meia-esquadria. O processamento de metais ferrosos está interdito.

Componentes ilustrados

A numeração dos componentes ilustrados refere-se à apresentação da ferramenta elétrica na página de esquemas.

- (1) Capa de proteção
- (2) Tecla de fixação para o interruptor de ligar/desligar (3 601 EA2 0K./3 601 EA2 0L./3 601 EA2 0F.)
- (2) Bloqueio de ligação para o interruptor de ligar/desligar (3 601 EA2 08./3 601 EA2 0B./3 601 EA2 04./3 601 EA2 00./3 601 EA2 07.)
- (3) Interruptor de ligar/desligar
- (4) Punho adicional
- (5) Tecla de bloqueio do veio
- (6) Escala de ângulo de meia-esquadria
- (7) Parafuso de orelhas para pré-seleção do ângulo de meia-esquadria
- (8) Parafuso de orelhas para guia paralela
- (9) Marcação de corte 45°
- (10) Marcação de corte 0°
- (11) Guia paralela
- (12) Cobertura de proteção pendular
- (13) Alavanca de ajuste para cobertura de proteção pendular
- (14) Placa de base
- (15) Parafuso de orelhas para pré-seleção do ângulo de meia-esquadria
- (16) Expulsão de aparas
- (17) Chave sextavada interior
- (18) Parafuso tensor com anilha
- (19) Flange de aperto
- (20) Disco de serra^{A)}
- (21) Flange de admissão
- (22) Veio da serra
- (23) Parafuso de fixação para adaptador de aspiração^{A)}
- (24) Adaptador de aspiração^{A)}
- (25) Alavanca tensora para pré-seleção da profundidade de corte
- (26) Escala de profundidade de corte
- (27) Par de sargentos^{A)}
- (28) Punho (superfície do punho isolada)

A) **Acessórios apresentados ou descritos não pertencem ao volume de fornecimento padrão. Todos os acessórios encontram-se no nosso programa de acessórios.**

Dados técnicos

Serra circular manual		GKS 235 Turbo	GKS 235 Turbo	GKS 9
Número de produto		3 601 EA2 0..	3 601 EA2 0B.	3 601 EA2 00. 3 601 EA2 07.
Potência nominal absorvida	W	2050	2050	2050
N.º de rotações em vazio	r.p.m.	5300	5300	5300
rotação máx. sob carga	r.p.m.	3500	3500	3500
máx. profundidade de corte				
- no ângulo de meia-esquadria 0°	mm	85	85	85
- no ângulo de meia-esquadria 45°	mm	65	65	65
Bloqueio do veio		●	●	●
Dimensões placa de base	mm	383 x 170	383 x 170	383 x 170
diâmetro máx. do disco de serra	mm	235	235	235
diâmetro mín. do disco de serra	mm	230	230	230
máx. espessura da base do disco	mm	2,2	2,2	2,2
máx. espessura/torção dos dentes	mm	3,2	3,2	3,2
min. espessura/torção dos dentes	mm	2,0	2,0	2,0

Serra circular manual		GKS 235 Turbo	GKS 235 Turbo	GKS 9
Furo de central	mm	25	25,4	30
Peso conforme EPTA-Procedure 01:2014	kg	7,6	7,6	7,6
Classe de proteção		□/II	□/II	□/II

Apenas para ferramentas elétricas sem limitação da corrente de arranque: os processos de ligação geram reduções da tensão. Com condições de rede desfavoráveis podem ocorrer danos em outros aparelhos. Com impedâncias de rede inferiores a 0,14 Ohm não se devem esperar falhas.

Os dados aplicam-se a uma tensão nominal [U] de 230 V. Com tensões divergentes e em versões específicas do país, estes dados podem variar.

Informação sobre ruídos/vibrações

Os valores de emissão de ruído foram determinados de acordo com **EN 62841-2-5**.

O nível sonoro avaliado como A da ferramenta elétrica é normalmente de: nível de pressão sonora **92 dB(A)**; nível de potência sonora **103 dB(A)**. Incerteza K = **3 dB**.

Utilizar proteção auditiva!

Valores totais de vibração a_{hv} (soma dos vetores das três direções) e incerteza K determinada segundo

EN 62841-2-5:

Serrar madeira: $a_{hv} = 3,3 \text{ m/s}^2$, $K = 1,5 \text{ m/s}^2$

O nível de vibrações indicado nestas instruções e o valor de emissões sonoras foram medidos de acordo com um processo de medição normalizado pela norma EN 62841 e podem ser utilizados para a comparação de ferramentas elétricas. Também são adequados para uma avaliação provisória das emissões sonoras e de vibrações.

O nível de vibrações indicado e o valor de emissões sonoras representam as aplicações principais da ferramenta elétrica. Se a ferramenta elétrica for utilizada para outras aplicações, com outras ferramentas de trabalho ou com manutenção insuficiente, é possível que o nível de vibrações e de emissões sonoras seja diferente. Isto pode aumentar sensivelmente a emissão sonora e de vibrações para o período completo de trabalho.

Para uma estimativa exata da emissão sonora e de vibrações, também deveriam ser considerados os períodos nos quais o aparelho está desligado ou funciona, mas não está sendo utilizado. Isto pode reduzir a emissão sonora e de vibrações durante o completo período de trabalho.

Além disso também deverão ser estipuladas medidas de segurança para proteger o operador contra o efeito de vibrações, como por exemplo: manutenção de ferramentas elétricas e acessórios, manter as mãos quentes e organização dos processos de trabalho.

Montagem

- ▶ **Só utilizar discos de serra com uma máxima velocidade admissível superior à velocidade da marcha em vazio da ferramenta elétrica.**

Introduzir/substituir o disco da serra circular

- ▶ **Antes de todos trabalhos na ferramenta elétrica deverá puxar a ficha de rede da tomada.**
- ▶ **Para a montagem do disco de serra é necessário usar luvas de proteção.** Há perigo de lesões no caso de um contacto com o disco de serra.
- ▶ **Só utilizar discos de serra que correspondam aos dados característicos indicados nesta instrução de serviço e na ferramenta elétrica.**
- ▶ **O número de rotações admissível do acessório deve ser no mínimo tão alto quanto o número de rotações máximo indicado na ferramenta elétrica.** Os acessórios que rodam mais depressa do que o admissível podem quebrar e ser projetados.
- ▶ **Nunca utilizar discos abrasivos como ferramentas de trabalho.**

Selecionar disco de serra

Encontra um resumo dois discos de serra recomendados no final destas instruções.

Desmontar disco de serra (ver figura A)



Coloque a ferramenta elétrica para a troca de ferramenta sobre o topo da carcaça do motor.

- Prima e mantenha premida a tecla de bloqueio do veio (5).
- ▶ **Só acione a tecla de bloqueio do veio (5) com o veio de retificação parado.** Caso contrário é possível que a ferramenta elétrica seja danificada.
- Desaperte com a chave sextavada interior (17) o parafusos tensor (18) no sentido de rotação ⚙.
- Vire a tampa de proteção pendular (12) para trás e segure a mesma.
- Retire o flange de admissão (19) e o disco de serra (20) do veio da serra (22).

Montar o disco de serra (ver figura A)

Coloque a ferramenta elétrica para a troca de ferramenta sobre o topo da carcaça do motor.

- Limpe o disco de serra (20) e todos os meus elementos de aperto a montar.
- Vire a tampa de proteção pendular (12) para trás e segure a mesma.

- Coloque o disco de serra (20) no flange de admissão (21). O sentido de corte dos dentes (sentido das setas no disco de serra) e a seta do sentido de rotação na tampa de proteção (1) têm de coincidir.
- Coloque o flange de admissão (19) e aperte o parafuso tensor (18) no sentido de rotação . Certifique-se da posição de montagem correta do flange de admissão (21) e do flange de aperto (19).
- Prima e mantenha premida a tecla de bloqueio do veio (5).
- Com uma chave de sextavado interior (17), aperte o parafuso de aperto (18) no sentido de rotação . O binário de aperto deve ser de 10–12 Nm, o que corresponde ao aperto manual mais ¼ de volta.

Aspiração de pó/de aparas

Pós de materiais como por exemplo, tintas que contém chumbo, alguns tipos de madeira, minerais e metais, podem ser nocivos à saúde. O contacto ou a inalação dos pós pode provocar reações alérgicas e/ou doenças nas vias respiratórias do utilizador ou das pessoas que se encontrem por perto.

Certos pós, como por exemplo pó de carvalho e faia são considerados como sendo cancerígenos, especialmente quando juntos com substâncias para o tratamento de madeiras (cromato, produtos de proteção da madeira). Material que contém asbesto só deve ser processado por pessoal especializado.

- Se possível deverá usar um dispositivo de aspiração de pó apropriado para o material.
- Assegurar uma boa ventilação do local de trabalho.
- É recomendável usar uma máscara de proteção respiratória com filtro da classe P2.

Observe as diretivas para os materiais a serem processados, vigentes no seu país.

- ▶ **Evite a acumulação de pó no local de trabalho.** Pós podem entrar levemente em ignição.

Montar adaptador de aspiração (ver figura B)

Insira o adaptador de aspiração (24) na expulsão de aparas (16) até engatar. Fixe o adaptador de aspiração (24) adicionalmente com o parafuso (23).

Ao adaptador de aspiração (24) é possível ligar uma mangueira de aspiração com um diâmetro de 35 mm.

- ▶ **O adaptador de aspiração não pode estar montado sem aspiração externa ligada.** Caso contrário o canal de aspiração pode ser obstruído.
- ▶ **No adaptador de aspiração não pode ser ligado um saco coletor do pó.** Caso contrário o sistema de aspiração pode entupir.

Para assegurar uma aspiração otimizada, é necessário que o adaptador de aspiração (24) seja limpo em intervalos regulares.

Aspiração externa

A ferramenta elétrica pode ser ligada diretamente a uma tomada de um aspirador universal Bosch com dispositivo de

arranque remoto. Este é iniciado automaticamente quando se liga a ferramenta elétrica.

O aspirador de pó deve ser apropriado para o material a ser trabalhado.

Utilize um aspirador especial para aspirar pó que seja extremamente nocivo à saúde, cancerígeno ou seco.

Na Alemanha, o TRGS 553 (regulamento técnico para substâncias perigosas alemão) requer dispositivos de aspiração testados para pós de madeira, e a aspiração integrada não pode ser usada no setor comercial. Para outros materiais, o operador profissional deve esclarecer os requisitos especiais com a associação profissional responsável.

Funcionamento

Modos de operação

- ▶ **Antes de todos trabalhos na ferramenta elétrica deverá puxar a ficha de rede da tomada.**

Ajustar profundidade de corte (ver figura C)

- ▶ **Adapte a profundidade de corte à espessura da peça.** Deveria estar visível, menos do que uma completa altura de dente por debaixo da peça a ser trabalhada.

Soltar a alavanca de aperto (25). Para profundidades de corte mais pequenas puxe a serra da placa de base (14), para profundidades de corte maiores pressione a serra para a placa de base (14). Ajuste a medida desejada na escala de profundidades de corte. Aperte novamente a alavanca de aperto (25).

A força de aperto da alavanca tensora (25) pode ser reajustada. Para tal, desaperte a alavanca tensora (25) e aperte-a a pelo menos deslocada em 30° para a esquerda.

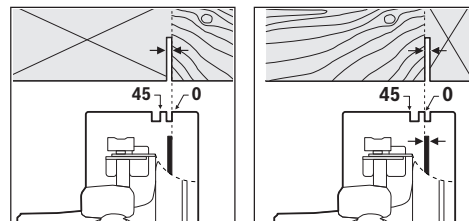
Ajustar ao ângulo de meia-esquadria

Coloque a ferramenta elétrica no topo da tampa de proteção (1).

Solte as porcas de orelhas (7) e (15). Deslocar lateralmente o disco de serra. Ajuste a medida desejada na escala (6). Volte a apertar as porcas de orelhas (7) e (15).

Nota: No caso de corte em meia-esquadria, a profundidade de corte é inferior ao valor indicado na escala de profundidades de corte (26).

Marcações de corte



A marcação de corte 0° (10) indica a posição do disco de serra num corte em ângulo reto. A marcação de corte 45° (9) indica a posição do disco de serra num corte num ângulo de 45°.

Para um corte à medida, coloque a serra circular junto à peça, tal como é ilustrado na imagem. É recomendável executar um corte de teste.

Colocação em funcionamento

- ▶ **Observar a tensão de rede! A tensão da fonte de corrente elétrica deve coincidir com os dados que constam na placa de características da ferramenta elétrica. Ferramentas elétricas marcadas para 230 V também podem ser operadas com 220 V.**

Ligar/desligar

- ▶ **Certifique-se de que consegue acionar o interruptor de ligar/desligar sem ter de soltar o punho.**

3 601 EA2 0K./3 601 EA2 0L./3 601 EA2 0F.:

Para a **colocação em funcionamento** da ferramenta elétrica deverá pressionar o interruptor de ligar/desligar **(3)** e mantê-lo pressionado.

Para **fixar** o interruptor de ligar/desligar **(3)** pressionado, prima o botão de fixação **(2)**.

Para **desligar** ferramenta elétrica liberte o interruptor de ligar/desligar **(3)** ou, se este estiver bloqueado com o botão de fixação **(2)**, pressione o interruptor de ligar/desligar **(3)** brevemente e depois liberte-o.

3 601 EA2 08./3 601 EA2 0B./3 601 EA2 04./3 601 EA2 00./3 601 EA2 07.:

Para a **colocação em funcionamento** da ferramenta elétrica, acionar primeiro o bloqueio de ligação **(2)** e premir **de seguida** o interruptor de ligar/desligar **(3)** e manter premido.

Para **desligar** a ferramenta elétrica, liberte o interruptor de ligar/desligar **(3)**.

Nota: Por motivos de segurança o interruptor de ligar/desligar **(3)** não pode ser travado, mas deve permanecer premido durante o funcionamento.

Instruções de trabalho

Proteger os discos de serra contra golpes e pancadas. Desloque a ferramenta elétrica uniformemente e com ligeiro avanço no sentido de corte. Um avanço muito forte reduz consideravelmente a durabilidade dos acessórios e pode prejudicar a ferramenta elétrica.

A potência de serragem e a qualidade de corte dependem do estado e da forma dos dentes do disco de serra. Portanto só deverá utilizar discos de serra afiados e apropriados para o material a ser trabalhado.

Serrar madeira

A seleção correta do disco de serra depende do tipo de madeira, da qualidade da madeira e se são necessários cortes longitudinais ou transversais.

Cortes longitudinais em abeto são produzidas aparas em formato espiral.

O pó de faia e carvalho são especialmente prejudiciais para a saúde, por isso trabalhe sempre com aspiração de pó.

Serrar com guia paralela (ver figura D)

A guia paralela **(11)** permite cortes exatos ao longo da aresta da peça, ou seja, o corte de tiras iguais.

Solte a porca de orelhas **(8)** e empurre a escala da guia paralela **(11)** pela guia da placa de base **(14)**. Ajuste a largura de corte desejada como valor de escala na respetiva marcação de corte **(10)** ou **(9)**, ver seção "Marcações de corte". Aperte novamente a porca de orelhas **(8)**.

Serrar com encosto auxiliar (ver figura E)

Para o processamento de peças maiores ou para cortar arestas a direito, pode fixar uma tábua ou uma ripa como encosto auxiliar na peça e introduzir a serra circular com a placa de base ao longo do encosto auxiliar.

Manutenção e assistência técnica

Manutenção e limpeza

- ▶ **Antes de todos trabalhos na ferramenta elétrica deverá puxar a ficha de rede da tomada.**
- ▶ **Manter a ferramenta elétrica e as aberturas de ventilação sempre limpas, para trabalhar bem e de forma segura.**

Se for necessário substituir o cabo de ligação, isto deverá ser realizado pela Bosch ou por um posto de assistência técnica autorizado para ferramentas elétricas Bosch para evitar riscos de segurança.

A cobertura de proteção pendular tem de poder movimentar-se sempre livremente e fechar-se automaticamente. Portanto, deverá manter a área em volta da cobertura de proteção pendular sempre limpa. Elimine pó e aparas com um pincel.

Os discos de serra não revestidos podem ser protegidos contra a formação de corrosão com uma camada fina de óleo. Remover o óleo antes de serrar, caso contrário poderão surgir nódoas na madeira.

Resíduos de resina ou de aglutinante no disco de serra reduzem a qualidade de corte. Portanto deverá sempre limpar o disco de serra imediatamente após a utilização.

Serviço pós-venda e aconselhamento

O serviço pós-venda responde às suas perguntas a respeito de serviços de reparação e de manutenção do seu produto, assim como das peças sobressalentes. Desenhos explodidos e informações sobre peças sobressalentes encontram-se em: **www.bosch-pt.com**

A nossa equipa de consultores Bosch esclarece com prazer todas as suas dúvidas a respeito dos nossos produtos e acessórios.

www.powertool-portal.de, o portal de Internet para operários e aficionados da bricolage.

Indique para todas as questões e encomendas de peças sobressalentes a referência de 10 dígitos de acordo com a placa de características do produto.

Brasil

Robert Bosch Ltda. – Divisão de Ferramentas Elétricas
Caixa postal 1195 – CEP: 13065-900

Campinas – SP
Tel.: 0800 7045 446
www.bosch.com.br/contato

Angola

InvestGlobal
Parque Logístico
Estrada de Viana Km 12
Luanda
Tel. : +212 948 513 580
E-Mail: helderribeiro@investglobal-ang.com

Eliminação

Ferramentas elétricas, acessórios e embalagens devem ser enviados a uma reciclagem ecológica de matérias-primas.



Não deitar ferramentas elétricas no lixo doméstico!

Apenas para países da UE:

De acordo com a diretiva europeia 2012/19/UE para aparelhos elétricos e eletrônicos velhos, e com as respectivas realizações nas leis nacionais, as ferramentas elétricas que não servem mais para a utilização, devem ser enviadas separadamente a uma reciclagem ecológica.

Türkçe

Güvenlik talimatı

Elektrikli el aletleri için genel güvenlik uyarıları

⚠ UYARI

Bu elektrikli el aletiyle birlikte gelen tüm güvenlik uyarılarını,

talimatları, resim ve açıklamaları okuyun. Aşağıda bulunan talimatlara uyulmaması halinde elektrik çarpmalarına, yangınlara ve/veya ağır yaralanmalara neden olabilir.

Bütün uyarıları ve talimat hükümlerini ileride kullanmak üzere saklayın.

Uyarı ve talimat hükümlerinde kullanılan "elektrikli el aleti" terimi, akım şebekesine bağlı (elektrikli) aletlerle akü ile çalışan aletleri (akülü) kapsamaktadır.

Çalışma yeri güvenliği

- ▶ **Çalıştığınız yeri temiz tutun ve iyi aydınlatın.** Dağınık veya karanlık alanlar kazalara davetiye çıkarır.
- ▶ **Yakınında patlayıcı maddeler, yanıcı sıvı, gaz veya tozların bulunduğu yerlerde elektrikli el aleti ile çalışmayın.** Elektrikli el aletleri, toz veya buharların tutuşmasına neden olabilecek kıvılcımlar çıkarırlar.
- ▶ **Elektrikli el aleti ile çalışırken çocukları ve etraftaki kişileri uzakta tutun.** Dikkatiniz dağılacak olursa aletin kontrolünü kaybedebilirsiniz.

Elektrik Güvenliği

- ▶ **Elektrikli el aletin fişi prize uymalıdır. Fişi hiçbir zaman değiştirmeyin. Korumalı (topraklanmış) elektrikli el aletleri ile birlikte adaptör fiş kullanmayın.** Değiştirilmemiş fiş ve uygun priz elektrik çarpma tehlikesini azaltır.
- ▶ **Borular, kalorifer petekleri, ısıtıcılar ve buzdolapları gibi topraklanmış yüzeylerle vücudunuzun temas etmesinden kaçınınız.** Vücudunuz topraklandığı anda büyük bir elektrik çarpma tehlikesi ortaya çıkar.
- ▶ **Elektrikli el aletlerini yağmur altında veya nemli ortamlarda bırakmayın.** Suyun elektrikli el aleti içine sızması elektrik çarpma tehlikesini artırır.
- ▶ **Kabloya zarar vermeyin. Elektrikli el aletini kablodan tutarak taşımayın, kabloyu kullanarak çekmeyin veya kablodan çekerek fişi çıkarmayın. Kabloyu ateş, yanıcı ve/veya keskin ve hareket eden maddelerden uzak tutun.** Hasarlı veya dolaşmış kablo elektrik çarpma tehlikesini artırır.
- ▶ **Bir elektrikli el aleti ile açık havada çalışırken mutlaka açık havada kullanılmaya uygun uzatma kablosu kullanın.** Açık havada kullanılmaya uygun uzatma kablusunun kullanılması elektrik çarpma tehlikesini azaltır.
- ▶ **Elektrikli el aletin nemli ortamlarda çalıştırılması şartsa mutlaka kaçak akım koruma rölesi kullanın.** Kaçak akım koruma rölesi şalterinin kullanımı elektrik çarpma tehlikesini azaltır.

Kişilerin Güvenliği

- ▶ **Dikkatli olun, ne yaptığınıza dikkat edin, elektrikli el aleti ile işinizi makul bir tempo ve yöntemle yürütün.** Yorgunsanız, kullandığımız hapların, ilaçların veya alkolün etkisinde iseniz elektrikli el aletini kullanmayın. Elektrikli el aletini kullanırken bir anki dikkatsizlik önemli yaralanmalara neden olabilir.
- ▶ **Daima kişisel koruyucu donanım kullanın. Daima koruyucu gözlük kullanın.** Elektrikli el aletin türü ve kullanımına uygun olarak; toz maskesi, kaymayan iş ayakkabıları, koruyucu kask veya koruyucu kulaklık gibi koruyucu donanım kullanımı yaralanma tehlikesini azaltır.
- ▶ **Aleti yanlışlıkla çalıştırmaktan kaçınınız. Güç kaynağına ve/veya aküye bağlamadan, elinize alıp taşımadan önce elektrikli el aletin kapalı olduğundan emin olun.** Elektrikli el aletini parmağınız şalter üzerinde dururken taşırsanız ve elektrikli el aleti açıkken fişi prize sokarsanız kazalara neden olabilirsiniz.
- ▶ **Elektrikli el aletini çalıştırmadan önce ayar aletlerini veya anahtarları aletten çıkarın.** Elektrikli el aletin dönen parçaları içinde bulunabilecek bir yardımcı alet yaralanmalara neden olabilir.
- ▶ **Çalışırken vücudunuz anormal durumda olmasın. Çalışırken duruşunuz güvenli olsun ve dengenizi her zaman koruyun.** Bu sayede elektrikli el aletini beklenmedik durumlarda daha iyi kontrol edebilirsiniz.
- ▶ **Uygun iş elbiseleri giyin. Geniş giysiler giymeyin ve takı takmayın. Saçlarınızı ve giysilerinizi aletin**

hareketli parçalarından uzak tutun. Bol giysiler, uzun saçlar veya takılar aletin hareketli parçaları tarafından tutulabilir.

- ▶ **Toz emme donanımı veya toz tutma tertibatı kullanırken, bunların bağlı olduğundan ve doğru kullanıldığından emin olun.** Toz emme donanımının kullanımı tozdan kaynaklanabilecek tehlikeleri azaltır.
- ▶ **Aletleri sık kullanmanız sebebiyle onlara alışmış olmanız, güvenlik prensiplerine uymanızı önlememelidir.** Dikkatsiz bir hareket, bir anda ciddi yaralanmalara yol açabilir.

Elektrikli el aletlerinin kullanımı ve bakımı

- ▶ **Elektrikli el aletini aşırı ölçüde zorlamayın. Yaptığınız işe uygun elektrikli el aletleri kullanın.** Uygun performanslı elektrikli el aleti ile, belirlenen çalışma alanında daha iyi ve güvenli çalışırsınız.
- ▶ **Şalteri bozuk olan elektrikli el aletini kullanmayın.** Açılıp kapanamayan bir elektrikli el aleti tehlikelidir ve onarılmalıdır.
- ▶ **Elektrikli el aletinde bir ayarlama işlemine başlamadan, herhangi bir aksesuarı değiştirirken veya elektrikli el aletini elinizden bırakırken fişi güç kaynağından çekin veya aküyü çıkarın.** Bu önlem, elektrikli el aletinin yanlışlıkla çalışmasını önler.
- ▶ **Kullanım dışı duran elektrikli el aletlerini çocukların ulaşamayacağı bir yerde saklayın. Aleti kullanmayı bilmeyen veya bu kullanım kılavuzunu okumayan kişilerin aletle çalışmasına izin vermeyin.** Deneyimsiz kişiler tarafından kullanıldığında elektrikli el aletleri tehlikelidir.
- ▶ **Elektrikli el aletinizin ve aksesuarlarınızın bakımını özenle yapın. Elektrikli el aletinizin kusursuz olarak çalışmasını engelleyebilecek bir durum olup olmadığını, hareketli parçaların kusursuz olarak işlev görüp görmediklerini ve sıkışıp sıkışmadıklarını, parçaların hasarlı olup olmadığını kontrol edin. Elektrikli el aletini kullanmaya başlamadan önce hasarlı parçaları onartın.** Birçok iş kazası elektrikli el aletlerine yeterli bakım yapılmamasından kaynaklanır.
- ▶ **Kesici uçları daima keskin ve temiz tutun.** Özenle bakımı yapılmış keskin kenarlı kesme uçlarının malzeme içinde sıkışma tehlikesi daha azdır ve daha rahat kullanımı olanağı sağlarlar.
- ▶ **Elektrikli el aletini, aksesuarı, uçları ve benzerlerini, bu özel tip alet için öngörülen talimata göre kullanın. Bu sırada çalışma koşullarını ve yaptığınız işi dikkate alın.** Elektrikli el aletlerinin kendileri için öngörülen alanın dışında kullanılması tehlikeli durumlara neden olabilir.
- ▶ **Tutamak ve kavrama yüzeylerini kuru, yağsız ve temiz tutun.** Kaygan tutamak ve kavrama yüzeyleri, aletin beklenmeyen durumlarda güvenli şekilde tutulmasını ve kontrol edilmesini engeller.

Servis

- ▶ **Elektrikli el aletinizi sadece yetkili personele ve orijinal yedek parça kullanma koşulu ile onartın.** Bu

sayede elektrikli el aletinin güvenliğini sürekli hale getirirsiniz.

Daire testereler için güvenlik talimatı

Kesme prosedürleri

- ▶ **⚠ TEHLİKE: Ellerinizi bıçağın kesme alanından uzak tutun. İkinci elinizi ek tutamak veya motor gövdesi üzerine yerleştirin.** İki elinizle birden testereyi tutarsanız bıçak ellerinizi kesemez.
- ▶ **İş parçasının altına elinizi uzatmayın.** Koruma sizi iş parçasının altındayken bıçaktan koruyamaz.
- ▶ **Kesme derinliğini iş parçasının kalınlığına göre ayarlayın.** İş parçasının altından bıçağın bir tam dışından daha az bir kısmı görünmelidir.
- ▶ **Kesim sırasında iş parçasını asla elinizde veya bacaklarınızın arasında tutmayın. İş parçasını sabit bir platformda emniyete alın.** Vücudunuza gelmesini, bıçak sıkışmasını veya kontrol kaybını en aza etmek için çalışırken doğru biçimde desteklemek çok önemlidir.
- ▶ **Bir çalışma sırasında kesme aletinin gizli bir kablo sistemi veya kendi kablosuyla temas etme ihtimali varsa elektrikli el aletini izolasyonlu tutamak yüzeylerinden tutun.** "İçinden elektrik geçen" bir kabloyla temas edilmesi, elektrikli el aletinin metal parçalarının "elektriğe" maruz kalmasına ve operatöre elektrik çarpmasına neden olabilir.
- ▶ **Yarma yaparken her zaman bir yarma çiti veya düz kenar kılavuzu kullanın.** Bu, kesimin doğruluğunu artırır ve bıçak sıkışması riskini azaltır.
- ▶ **Her zaman mil deliklerine göre doğru boyutta ve biçimde (elmas veya yuvarlak) olan bıçakları kullanın.** Testerenin montaj donanımına uymayan bıçaklar merkezden kaçır ve kontrol kaybına neden olur.
- ▶ **Asla hasarlı veya yanlış bıçak pulları veya somun kullanmayın.** Bıçak pulları ve somun optimum performans ve işlem güvenliği sağlamak amacıyla testereniz için özel olarak tasarlanmıştır.

Geri tepme nedenleri ve ilgili uyarılar

- geri tepme sıkışmış, takılmış veya kötü ayarlanmış bir testere bıçağının ani tepkisidir ve testere kontrol edilemiyorsa aniden iş parçasından çıkıp kalkmasına ve kullanıcıya çarpmasına neden olur;
 - çentik kapandığında bıçak sıkışır veya takılır, bıçak durur ve motorun tepkisi makineyi aniden kullanıcıya doğru geri iter;
 - kesme sırasında bıçak bükülürse veya ayarı bozulursa bıçağın arka ucundaki diş ahsabın üst yüzüne gömülür ve bıçağın çentikten dışarı çıkmasına ve kullanıcıya doğru sıçramasına neden olur.
- Geri tepme, testerenin yanlış kullanımının ve/veya yanlış çalışma prosedürlerinin ya da koşullarının bir sonucudur ve aşağıdaki uygun önlemlerin alınması ile engellenebilir.

- ▶ **Testereyi iki elinizle sıkıca tutun ve kollarınızı geri tepme güçlerine direnebilecek biçimde konumlandırın. Gövdenizi bıçağın herhangi bir yanında tutun ama bıçak ile aynı hizada durmayın.** Geri

tepmе bıçağın arkaya doğru hareket etmesine neden olur, ama gerekli önlemler alınırsa geri tepme kuvveti kullanıcı tarafından kontrol edilebilir.

- ▶ **Bıçak sıkışmışsa veya kesme işlemine herhangi bir nedenden dolayı ara verecekseniz tetiği serbest bırakın ve bıçak tamamen durana kadar testereyi malzeme içinde tutun. Testereyi kesinlikle hareket halindeyken kesme noktasından çıkarmayı veya geri çekmeyi denemeyin, aksi takdirde geri tepme meydana gelebilir.** Bıçağın sıkışmasının nedeni bulun ve problemi çözmek için gereken önlemleri alın.
- ▶ **Testereyi iş parçası içinde yeniden çalıştırdığınızda testere bıçağını çentik içinde merkezleyin, böylece testere dişi malzemeye temas etmez.** Testere bıçağı takılmışsa testere yeniden çalıştırıldığında yukarı doğru hareket edebilir veya iş parçasından geri tepebilir.
- ▶ **Büyük panellerle çalışırken bıçak sıkışması ve geri tepme riskini en aza indirmek için panelleri destekleyin.** Büyük paneller kendi ağırlıkları sayesinde esnemeye meyillidir. Panelin altına her iki taraftan kesme hattına yakın biçimde ve panelin kenarına yakın yerlere destekler yerleştirilmelidir.
- ▶ **Küt veya hasarlı bıçakları kullanmayın.** Keskin olmayan veya yanlış ayarlanan bıçaklar dar çentik oluşturur, bu da fazla sürtünmeye, bıçak sıkışmasına ve geri tepmeye neden olur.
- ▶ **Bıçak derinliği ve gönye ayarlamaya kilit kolları sıkı olmalıdır ve kesmeye başlamadan önce emniyete alınmalıdır.** Eğer kesme sırasında bıçak ayarları bozulursa bu durum sıkışmaya ve geri tepmeye neden olabilir.
- ▶ **Mevcut duvarlarda veya kör alanlarda testereleme yaparken özellikle dikkat edin.** Çıkıntılı bıçak, geri tepmeye neden olabilecek nesnelere kesebilir.

Alt koruma fonksiyonu

- ▶ **Her kullanımdan önce alt korumanın doğru kapanıp kapanmadığını kontrol edin. Eğer alt koruma serbestçe hareket etmiyorsa ve hemen kapanmıyorsa testereyi çalıştırmayın. Alt korumayı kesinlikle açık pozisyonda sıkıştırmayın ve bağlamayın.** Eğer testere yanlışlıkla düşürülürse alt koruma bükülebilir. Çekme tutamağıyla alt korumayı kaldırın ve serbestçe hareket edip etmediğini, bıçağa ve diğer parçalara temas edip etmediğini her adımda ve her kesme derinliğinde kontrol edin.
- ▶ **Alt koruma yayının çalışıp çalışmadığını kontrol edin. Eğer koruma ve yay düzgün çalışmıyorsa el aletini kullanmadan önce bakım yapılmalıdır.** Hasarlı parçalar, esnek birikintiler veya sıkışan artıklar nedeniyle alt koruma zor hareket edebilir.
- ▶ **Alt koruma sadece "daldırılmalı kesimler" ve "bileşik kesimler" gibi özel kesimlerde manuel olarak çekilebilir. Alt korumayı çekme tutamağından çekerek kaldırın ve bıçak malzemeye girer girmez alt korumayı serbest bırakın.** Tüm diğer testereleme işlerinde alt koruma otomatik olarak çalışmalıdır.

- ▶ **Testereyi tezgaha veya zemine yerleştirmeden önce her zaman alt korumanın bıçağı örttüğünden emin olun.** Korumasız, desteksiz bir bıçak testerenin geriye doğru hareket etmesine ve yoluna çıkan her şeyi kesmesine neden olur. Anahtar serbest bırakıldıktan sonra bıçağın durmasının ne kadar sürdüğüne dikkat edin.

Ek güvenlik talimatı

- ▶ **Talaş atma yerini elinizle kavramayın.** Dönen parçalar tarafından yaralanabilirsiniz.
- ▶ **Testereyi başınızın üstünde tutarak çalışmayın.** Bu şekilde elektrikli el aleti üzerinde yeterli kontrolü sağlayamazsınız.
- ▶ **Görünmeyen ikmal hatlarını belirlemek için uygun tarama cihazları kullanın veya yerel tedarik şirketi ile iletişime geçin.** Elektrik kablolarıyla temas yanıklara ve elektrik çarpmasına neden olabilir. Bir gaz borusuna hasar vermek patlamaya neden olabilir. Su borularının hasar görmesi maddi zararlara veya elektrik çarpmasına neden olabilir.
- ▶ **Bu elektrikli el aletini sabit olarak kullanmayın.** Bu alet kesme masasında kullanılmak üzere tasarlanmamıştır.
- ▶ **Dik açılı olmayan „Malzeme içine dalmalı“ kesme işlerinde, testerenin kılavuz plakasının yana doğru kaymaması için gerekli önlemleri alın.** Yana doğru kaydığı takdirde testere bıçağı sıkışabilir ve geri tepme kuvveti oluşabilir.
- ▶ **HSS çelik testere bıçakları kullanmayın.** Bu testere bıçakları kolayca kırılabilir.
- ▶ **Demir içeren metalleri kesmeyin.** Akkor halindeki talaşlar toz emme donanımında tutuşmaya neden olabilir.
- ▶ **Elinizden bırakmadan önce elektrikli el aletinin tam olarak durmasını bekleyin.** Uç takılabilir ve elektrikli el aletinin kontrolünü kaybedebilirsiniz.
- ▶ **Çalışırken elektrikli el aletini iki elinizle sıkıca tutun ve duruşunuzun güvenli olmasına dikkat edin.** Elektrikli el aleti iki elle daha güvenli kullanılır.

Ürün ve performans açıklaması



Bütün güvenlik talimatını ve uyarıları okuyun. Güvenlik talimatlarına ve uyarılara uyulmadığı takdirde elektrik çarpmasına, yangına ve/veya ciddi yaralanmalara neden olunabilir.

Lütfen kullanma kılavuzunun ön kısmındaki resimlere dikkat edin.

Usulüne uygun kullanım

Bu elektrikli el aleti, sabit bir tabanda düz hatlı uzunlamasına ve çapraz kesim işleri ile ahşapta gönyeli kesme işleri için tasarlanmıştır.

Bu aletle demirli metal malzemenin işlenmesine izin yoktur.

Şekli gösterilen elemanlar

Şekli gösterilen elemanların numaraları grafik sayfasındaki elektrikli el aleti resmindeki numaralarla aynıdır.

- | | |
|--|---|
| (1) Koruma kapağı | (14) Taban plakası |
| (2) Açma/kapama şalteri sabitleme tuşu
(3 601 EA2 0K./3 601 EA2 0L./3 601 EA2 0F.) | (15) Gönye açısı ön seçimi için kelebek vida |
| (2) Açma/kapama şalteri kapama emniyeti
(3 601 EA2 08./3 601 EA2 0B./3 601 EA2 04./
3 601 EA2 00./3 601 EA2 07.) | (16) Talaş atma yeri |
| (3) Açma/kapama şalteri | (17) İç altıgen anahtar |
| (4) İlave tutamak | (18) Pullu sıkma vidası |
| (5) Mil kilitleme tuşu | (19) Bağlama flanşı |
| (6) Gönye açısı skalası | (20) Daire testere bıçağı ^{A)} |
| (7) Gönye açısı ön seçimi için kelebek vida | (21) Bağlantı flanşı |
| (8) Paralellik mesnedi kelebek vidası | (22) Testere mili |
| (9) Kesme işareti 45° | (23) Emme adaptörü sabitleme vidası ^{A)} |
| (10) Kesme işareti 0° | (24) Emme adaptörü ^{A)} |
| (11) Paralellik mesnedi | (25) Kesme derinliği ön seçimi sıkma kolu |
| (12) Pandül koruma kapağı | (26) Kesme derinliği skalası |
| (13) Pandül koruma kapağı ayar kolu | (27) Vidalı işkence çifti ^{A)} |
| | (28) Tutamak (izolasyonlu tutamak yüzeyi) |

A) Şekli gösterilen veya tanımlanan aksesuar standart teslimat kapsamında değildir. Aksesuarın tümünü aksesuar programımızda bulabilirsiniz.

Teknik veriler

Daire testere		GKS 235 Turbo	GKS 235 Turbo	GKS 9
Malzeme numarası		3 601 EA2 0..	3 601 EA2 0B.	3 601 EA2 00. 3 601 EA2 07.
Giriş gücü	W	2050	2050	2050
Boştaki devir sayısı	dev/dak	5300	5300	5300
Maks. yük devir sayısı	dev/dak	3500	3500	3500
Maks. kesme derinliği				
- 0° gönye açısında	mm	85	85	85
- 45° gönye açısında	mm	65	65	65
Mil kilidi		●	●	●
Taban plakası ölçüleri	mm	383 x 170	383 x 170	383 x 170
Maks. testere bıçağı çapı	mm	235	235	235
Min. testere bıçağı çapı	mm	230	230	230
Maks. bıçak kalınlığı	mm	2,2	2,2	2,2
Maks. dış kalınlığı/eğimi	mm	3,2	3,2	3,2
Min. dış kalınlığı/eğimi	mm	2,0	2,0	2,0
Bağlama deliği	mm	25	25,4	30
Ağırlık	kg	7,6	7,6	7,6
EPTA-Procedure 01:2014 uyarınca				
Koruma sınıfı		□/ II	□/ II	□/ II

Sadece start akımı sınırlamalı elektrikli el aletleri için: Açma işlemleri kısa süreli gerilim düşmelerine neden olur. Elverişsiz şebeke koşullarında diğer cihazlar olumsuz yönde etkilenebilir. 0,14 Ohm'dan daha küçük şebeke empedanslarında arıza görülmez.

Veriler 230 V'luk bir anma gerilimi [U] için geçerlidir. Farklı gerilimlerde ve farklı ülkelere özgü tiplerde bu veril değişebilir.

Gürültü/Titreşim bilgisi

Gürültü emisyon değerleri EN 62841-2-5 uyarınca belirlenmektedir.

Elektrikli el aletinin A değerlendirmeli gürültü seviyesi tipik olarak: Ses basıncı seviyesi **92 dB(A)**; ses gücü seviyesi **103 dB(A)**. Tolerans K = **3 dB**.

Kulak koruması kullanın!

Toplam titreşim değerleri a_h (üç yönün vektör toplamı) ve tolerans K **EN 62841-2-5** uyarınca belirlenmektedir:

Ahşapta kesme: $a_h = 3,3 \text{ m/s}^2$, $K = 1,5 \text{ m/s}^2$

Bu talimatta belirtilen titreşim seviyesi ve gürültü emisyon değeri EN 62841 uyarınca standartlaştırılmış ölçme yöntemine göre belirlenmiştir ve elektrikli el aletlerinin birbirleri ile kıyaslanmasında kullanılabilir. Bu değerler aynı zamanda titreşim ve gürültü emisyonunun geçici olarak tahmin edilmesine de uygundur.

Belirtilen titreşim seviyesi ve gürültü emisyon değeri elektrikli el aletinin esas kullanımını temsil etmektedir. Ancak elektrikli el aleti farkı uçlar veya yetersiz bakımla kullanılacak olursa, titreşim seviyesi ve gürültü emisyonu farklılık gösterebilir. Bu da titreşim ve gürültü emisyonunu bütün kullanım süresince önemli ölçüde artırabilir.

Titreşim ve gürültü emisyonunun tam olarak tahmin edilebilmesi için, aletin kapalı olduğu veya açık fakat kullanımda olmadığı sürelerin de dikkate alınması gerekir. Bu, titreşim ve gürültü emisyonunu bütün çalışma süresinde önemli ölçüde düşürebilir.

Titreşimin kullanıcıya bindirdiği yük için önceden ek güvenli önlemleri alın. Örneğin: Elektrikli el aletinin ve uçların bakımı, ellerin sıcak tutulması, iş aşamalarının organize edilmesi.

Montaj

- **Sadece müsaade edilen maksimum hızları elektrikli el aletinin boştaki devir sayısından yüksek olan testere bıçaklarını kullanın.**

Daire testere bıçağının takılması/değiştirilmesi

- **Elektrikli el aletinin kendinde bir çalışma yapmadan önce her defasında fişi prizden çekin.**
- **Testere bıçağını takarken koruyucu iş eldivenleri kullanın.** Testere bıçağına temas ederseniz yaralanabilirsiniz.
- **Sadece bu kullanma kılavuzunda ve elektrikli el aletinin üzerinde belirtilen tanıtım verilerine uygun testere bıçakları kullanın .**
- **Kullanılan ucun izin verilen devir sayısı en azından elektrikli el aleti üzerinde belirtilen en yüksek devir sayısı kadar olmalıdır.** Müsaade edilenden hızlı dönen aksesuar kırılabilir ve etrafa yayılabilir.
- **Taşılama disklerini hiçbir zaman uç olarak kullanmayın.**

Testere bıçağı seçimi

Tavsiye edilen testere bıçaklarına ait genel görünüşü bu kullanma kılavuzunun sonunda bulabilirsiniz.

Testere bıçağının sökülmesi (Bakınız: Resim A)

Uç değiştirmek için elektrikli el aletini motor gövdesi ön tarafı üzerine yerleştirin.

- Mil kilitleme tuşuna **(5)** basın ve tuşu basılı tutun.

- **Mil kilitleme tuşuna (5) sadece testere mili dururken basın.** Aksi takdirde elektrikli el aleti hasar görebilir.

- İç altıgen anahtarla **(17)** sıkma vidasını **(18)** ⚙ yönünde çevirerek çıkarın.
- Pandül hareketli koruyucu kapağı **(12)** arkaya getirin ve bu konumda tutun.
- Sıkma flanşını **(19)** ve testere bıçağını **(20)** testere milinden **(22)** çıkarın.

Testere bıçağının takılması (Bakınız: Resim A)

Uç değiştirmek için elektrikli el aletini motor gövdesi ön tarafı üzerine yerleştirin.

- Testere bıçağını **(20)** takılacak bütün sıkma parçalarını temizleyin.
- Pandül hareketli koruyucu kapağı **(12)** geri getirin ve bu konumda tutun.
- Testere bıçağını **(20)** bağlama flanşına **(21)** yerleştirin. Dişlerin kesme yönü (testere bıçağı üzerindeki ok yönü) ve koruyucu kapak **(1)** üzerindeki dönme yönü oku birbiri ile uyumlu olmalıdır.
- Sıkma flanşını **(19)** yerine yerleştirin ve sıkma vidasını **(18)** ⚙ yönünde çevirerek takın. Bağlama flanşını **(21)** ile sıkma flanşının **(19)** doğru konumda takılmasına dikkat edin.
- Mil kilitleme tuşuna **(5)** basın ve tuşu basılı tutun.
- İç altıgen anahtarla **(17)** sıkma vidasını **(18)** ⚙ yönünde çevirerek sıkın. Sıkma torku 10–12 Nm olmalıdır, bu elle sıkma ek olarak ¼ çevirme demektir.

Toz ve talaş emme

Kurşun içeren boyalar, bazı ahşap türleri, mineraller ve metaller gibi maddeler işlenirken ortaya çıkan toz sağlığa zararlı olabilir. Bu tozlara temas etmek veya bu tozları solumak alerjik reaksiyonlara ve/veya kullanıcının veya onun yakınındaki kişilerin nefes alma yollarındaki hastalıklara neden olabilir.

Kayın veya meşe gibi bazı ağaç tozları kanserojen etkiye sahiptir, özellikle de ahşap işleme sanayiinde kullanılan katkı maddeleri (kromat, ahşap koruyucu maddeler) ile birlikte. Asbest içeren malzemeler sadece uzmanlar tarafından işlenmelidir.

- Mümkün olduğu kadar işlediğiniz malzemeye uygun bir toz emme tertibatı kullanın.
- Çalışma yerinizi iyi bir biçimde havalandırın.
- P2 filtre sınıfı filtre takılı soluk alma maskesi kullanmanızı tavsiye ederiz.

İşlenen malzemelere ait ülkenizdeki geçerli yönetmelik hükümlerine uyun.

- **Çalıştığınız yerde toz birikmemesine dikkat edin.** Tozlar kolayca alevlenebilir.

Emme adaptörünün takılması (Bakınız: Resim B)

Emme adaptörünü **(24)** talaş atma yerine **(16)** kilitleme yapıcaya kadar takın. Emme adaptörünü **(24)** ek olarak vida **(23)** ile emniyete alın.

Emme adaptörüne **(24)** 35 mm çapında bir emme hortumu takılabilir.

- ▶ **Emme adaptörü harici toz emme donanımı bağlanmadan takılmamalıdır.** Aksi takdirde emme kanalı tıkanabilir.
- ▶ **Emme adaptörüne toz torbası takılamaz.** Aksi takdirde emme sistemi tıkanabilir.

Optimum emme performansı sağlayabilmek için emme adaptörü (24) düzenli aralıklarla temizlenmelidir.

Harici toz emme

Elektrikli el aletini direkt olarak uzaktan kumandalı bir Bosch çok amaçlı elektrikli süpürgeye prizine takılabilir. Bu elektrikli süpürge, elektrikli el aleti açılınca otomatik olarak çalışmaya başlar.

Elektrik süpürgesi işlenen malzemeye uygun olmalıdır. Özellikle sağlığa zararlı, kanserojen veya kuru tozları vakumlarken özel elektrik süpürgesi (sanayi tipi elektrik süpürgesi) kullanın.

Almanya'da ahşap tozları için TRGS 553 nedeniyle test edilmiş emme donanımları istenmektedir, alete entegre toz emme donanımları profesyonel sektörde kullanılmamaktadır. Diğer malzemeler için profesyonel kullanıcılar karşılanması gerekli hususları yetkili meslek kuruluşları ile açıklığa kavuşturmak zorundadır.

İşletim

İşletim türleri

- ▶ **Elektrikli el aletinin kendinde bir çalışma yapmadan önce her defasında fişi prizden çekin.**

Kesme derinliğinin ayarlanması (Bakınız: Resim C)

- ▶ **Kesme derinliğini iş parçasının kalınlığına uyarlayın.** İş parçasının altında tam bir diş yüksekliğinden daha azının görünmesi gerekir.

Sıkma kolunu (25) gevşetin. Daha küçük kesme derinliği için testereyi taban plakasından (14) çekin, daha büyük kesme derinliği için testereyi taban plakasına (14) doğru bastırın. Kesme derinliği skalasında istediğiniz ölçüyü ayarlayın. Sıkma kolunu (25) tekrar sıkın.

Sıkma kolunun (25) sıkma kuvveti sonradan ayarlanabilir. Sıkma kolunu (25) söküp ve en azından 30° saat hareket yönünün tersinde tekrar sıkın.

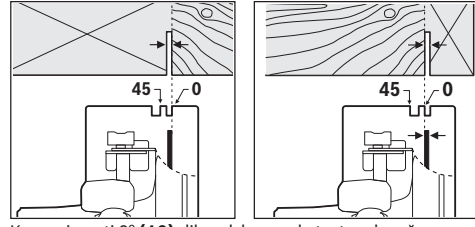
Gönye açısının ayarlanması

Elektrikli el aletini koruyucu kapağın (1) ön tarafına yerleştirin.

Kelebek vidaları (7) ve (15) gevşetin. Testereyi yana hareket ettirin. Skalada (6) istediğiniz ölçüyü ayarlayın. Kelebek vidaları (7) ve (15) tekrar sıkın.

Not: Gönyeli kesme işlerinde kesme derinliği kesme derinliği skalasındaki (26) göstergeden daha küçüktür.

Kesme işaretleri



Kesme işareti 0° (10) dik açılı kesmede testere bıçağının pozisyonunu gösterir. Kesme işareti 45° (9) 45° kesmedeki testere bıçağının pozisyonunu gösterir.

Tam ölçülü kesme yapmak için daire testereyi resimde görüldüğü gibi iş parçasına yerleştirin. Bir deneme kesmesi yapmanızda yarar vardır.

Çalıştırma

- ▶ **Şebeke gerilimine dikkat edin! Akım kaynağının gerilimi elektrikli el aletinin tip etiketinde belirtilen gerilimle aynı olmalıdır. 230V ile işaretlenmiş elektrikli el aletleri 220V ile de çalıştırılabilir.**

Açma/kapama

- ▶ **Tutamağı bırakmadan açma/kapama şalterini kullanabildiğinizden emin olun.**

3 601 EA2 0K./3 601 EA2 0L./3 601 EA2 0F.:

Elektrikli el aletini **çalıştırmak** için açma/kapama şalterine (3) basın ve şalteri basılı tutun.

Basılı açma/kapama şalterini **sabitlemek** (3) için sabitleme tuşuna (2) basın.

Elektrikli el aletini **kapatmak** için açma/kapama şalterini (3) bırakın veya sabitleme tuşu (2) ile kilitlemişse, açma/kapama şalterine (3) kısa süre basın ve bırakın.

3 601 EA2 08./3 601 EA2 0B./3 601 EA2 04./3 601 EA2 00./3 601 EA2 07.:

Elektrikli el aletini **çalıştırmak** için önce kapama emniyetine (2) sonra açma/kapama şalterine (3) basın ve şalteri basılı tutun.

Elektrikli el aletini **kapatmak** açma/kapama şalterini (3) bırakın.

Not: Güvenlik nedenleriyle açma/kapama şalteri (3) kilitlenemez, işleme esnasında sürekli basılı olmalıdır.

Enerjiden tasarruf etmek için elektrikli el aletini sadece kullandığınızda açın.

Çalışırken dikkat edilecek hususlar

Testere bıçağını darbe ve çarpmalara karşı koruyun.

Elektrikli el aletini kesme yönünde düzgün biçimde ve hafif bastırma kuvveti ile hareket ettirin. Çok fazla besleme kuvveti kullanılan uçların kullanım ömrünü önemli ölçüde kısaltır ve elektrikli el aletinde hasara neden olabilir.

Kesme performansı ve kesme kalitesi esas olarak testere bıçağının durumuna ve diş biçimine bağlıdır. Bu nedenle sadece keskin ve işlenen malzemeye uygun testere bıçakları kullanın.

Ahşapta kesme

Testere bıçağının doğru seçimi, ahşap türüne, ahşap kalitesine ve uzunlama veya enine kesmeye göre yapılır.

Ladin ağacı kesilirken uzun, helezonik talaşlar oluşur.

Kayın ve meşe tozları özellikle sağlığa zararlıdır, bu nedenle sadece toz emme donanımı ile çalışın.

Paralellik mesnedi ile kesme (Bakınız: Resim D)

Paralellik mesnedi (11) iş parçası kenarı boyunca hassas kesme işlerine veya ölçülü şeritlerin kesilmesine olanak sağlar.

Kelebek vidayı (8) gevşetin ve paralellik mesnedi (11) skalasını kılavuz içinde taban plakasına (14) itin. İlgili kesme işaretinde (10) veya (9) skala değeri olarak istediğiniz kesme genişliğini ayarlayın, bakınız: bölüm „Kesme işaretleri“. Kelebek vidayı (8) tekrar sıkın.

Yardımcı dayamak ile kesme (Bakınız: Resim E)

Büyük boyutlu iş parçalarını işlerken veya düz kenarları keserken iş parçasına bir tahta veya çitayı yardımcı dayamak olarak sabitleyebilirsiniz ve daire testere taban plakasını yardımcı dayamak boyunca hareket ettirebilirsiniz.

Bakım ve servis**Bakım ve temizlik**

- ▶ **Elektrikli el aletinin kendinde bir çalışma yapmadan önce her defasında fişi prizden çekin.**
- ▶ **İyi ve güvenli çalışabilmek için elektrikli el aletini ve havalandırma aralıklarını temiz tutun.**

Yedek bağlantı kablosu gerekli ise, güvenliğin tehlikeye düşmemesi için Bosch'tan veya yetkili bir servisten temin edilmelidir.

Pandül hareketli koruyucu kapak her zaman serbestçe hareket edebilmeli ve kendiliğinden kapanmalıdır. Bu nedenle pandül hareketli koruyucu kapağın çevresini her zaman temiz tutun. Toz ve talaşları fırça ile temizleyin.

Kaplanmamış testere bıçakları asit içermeyen ince bir yağ tabakası ile korozyona karşı korunabilir. Kesme işlemine başlamadan önce yağı temizleyin, aksi takdirde ahşapta lekeler oluşabilir.

Testere bıçağı üzerindeki reçine veya tutkal kalıntıları kesme kalitesini düşürür. Bu nedenle testere bıçaklarını kullandıktan hemen sonra temizleyin.

Müşteri servisi ve uygulama danışmanlığı

Müşteri servisleri ürününüzün onarım ve bakımı ile yedek parçalarına ait sorularınızı yanıtlar. Demonte görüşleri ve yedek parçalara ait bilgileri şu sayfada da bulabilirsiniz:

www.bosch-pt.com

Bosch uygulama danışma ekibi ürünlerimiz ve aksesuarları hakkındaki sorularınızda sizlere memnuniyetle yardımcı olur.

www.powertool-portal.de, sanatlar ve hafif hizmet kullanıcıları için İnternet portalı.

Bütün başvuru ve yedek parça siparişlerinizde ürünün tip etiketi üzerindeki 10 haneli ürün kodunu mutlaka belirtin.

Sadece Türkiye için geçerlidir: Bosch genel olarak yedek parçaları 7 yıl hazır tutar.**Türkçe**

Bosch Sanayi ve Ticaret A.Ş.

Elektrikli El Aletleri

Aydınevler Mah. İnönü Cad. No: 20

Küçükyalı Ofis Park A Blok

34854 Maltepe-İstanbul

Tel.: 444 80 10

Fax: +90 216 432 00 82

E-mail: iletisim@bosch.com.tr

www.bosch.com.tr

Bulsan Elektrik

İstanbul Cad. Devrez Sok. İstanbul Çarşısı

No: 48/29 İskitler

Ankara

Tel.: +90 312 3415142

Tel.: +90 312 3410302

Fax: +90 312 3410203

E-mail: bulsanbobinaj@gmail.com

Faz Makine Bobinaj

Cumhuriyet Mah. Sanayi Sitesi Motor

İşleri Bölümü 663 Sk. No:18

Antalya

Tel.: +90 242 3465876

Tel.: +90 242 3462885

Fax: +90 242 3341980

E-mail: info@fazmakina.com.tr

Körfez Elektrik

Karaağaç Mah. Sümerbank Cad. No:18/2

Erzincan

Tel.: +90 446 2230959

Fax: +90 446 2240132

E-mail: bilgi@korfezelektrik.com.tr

Değer İş Bobinaj

İsmetpaşa Mah. İlk Belediye Başkan Cad. 5/C

Şahinbey/Gaziantep

Tel.: +90 342 2316432

Fax: +90 342 2305871

E-mail: degerisbobinaj@hotmail.com

Tek Çözüm Bobinaj

Küsget San.Sit.A Blok 11Nolu Cd.No:49/A

Şehitkamil/Gaziantep

Tel.: +90 342 2351507

Fax: +90 342 2351508

E-mail: cozumbobinaj@hotmail.com

Günşah Otomotiv

Beylikdüzü Sanayi Sit. No: 210 Beylikdüzü

İstanbul

Tel.: +90 212 8720066

Fax: +90 212 8724111

E-mail: gunsahelektrik@ttmail.com

Aygem

10021 Sok. No: 11 AOSB Çiğli

İzmir

Tel.: +90232 3768074

Fax: +90 232 3768075

E-mail: boschservis@aygem.com.tr

Sezmen Bobinaj
Ege İş Merkezi 1201/4 Sok. No: 4/B Yenışehir
İzmir
Tel.: +90 232 4571465
Tel.: +90 232 4584480
Fax: +90 232 4573719
E-mail: info@sezmenbobinaj.com.tr

Ankaralı Elektrik
Eski Sanayi Bölgesi 3. Cad. No: 43 Kocasinan
Kayseri
Tel.: +90 352 3364216
Tel.: +90 352 3206241
Fax: +90 352 3206242
E-mail: gunay@ankarali.com.tr

Asal Bobinaj
Eski Sanayi Sitesi Barbaros Cad. No: 24/C
Samsun
Tel.: +90 362 2289090
Fax: +90 362 2289090
E-mail: bpsasalbobinaj@hotmail.com
Üstündağ Elektrikli Aletler
Nusretiye Mah. Boyacılar Aralığı No: 3
Tekirdağ
Tel.: +90 282 6512884
Fax: +90 282 6521966
E-mail: info@ustundagsogutma.com

Marmara Elektrik
Tersane cd. Zencefil Sok.No:6 Karaköy
İstanbul
Tel.: +90 212 2974320
Fax: +90 212 2507200
E-mail: info@marmarabps.com
Bağrıçıklar Oto Elektrik
Motorlu Sanayi Çarşısı Doğruer Sk. No:9 Selçuklu
Konya
Tel.: +90 332 2354576
Tel.: +90 332 2331952
Fax: +90 332 2363492
E-mail: bagriaciklarotoelektrik@gmail.com

**Ermenistan, Azerbaycan, Gürcistan, Kırgızistan,
Moğolistan, Tacikistan, Türkmenistan, Özbekistan**
TOO "Robert Bosch" Power Tools, Satış Sonrası Servis
Rayimbek Cad., 169/1
050050, Almatı, Kazakistan
Servis E-posta: service.pt.ka@bosch.com
Resmi İnternet Sitesi: www.bosch.com, www.bosch-pt.com

Tasfiye

Elektrikli el aleti, aksesuar ve ambalaj malzemesi çevre dostu bir yöntemle tasfiye edilmek üzere tekrar kazanım merkezine gönderilmektedir.



Elektrikli el aletlerini evsel çöplerine atmayın!

Sadece AB ülkeleri için:

Eski elektrikli el aletleri ve elektronik aletlere ilişkin 2012/19/EU sayılı Avrupa Birliği yönetmeliği ve bunların tek

tek ülkelerin hukuklarına uyarlanması uyarınca, kullanım ömrünü tamamlamış elektrikli el aletleri ayrı ayrı toplanmak ve çevre dostu bir yöntemle tasfiye edilmek üzere yeniden kazanım merkezlerine gönderilmek zorundadır.

中文

安全规章

电动工具通用安全警告

警告！ 警告！ 阅读所有警告和所有说明！ 不遵照以下警告和说明会导致电击、着火和/或严重伤害。

保存所有警告和说明书以备查阅。

在所有下列的警告中术语“电动工具”指市电驱动（有线）电动工具或电池驱动（无线）电动工具。

工作场地的安全

- ▶ **保持工作场地清洁和明亮。** 混乱和黑暗的场地会引发事故。
- ▶ **不要在易爆环境，如有易燃液体、气体或粉尘的环境下操作电动工具。** 电动工具产生的火花会点燃粉尘或气体。
- ▶ **让儿童和旁观者离开后操作电动工具。** 注意力不集中会使操作者失去对工具的控制。

电气安全

- ▶ **电动工具插头必须与插座相配。绝不能以任何方式改装插头。需接地的电动工具不能使用任何转换插头。** 未经改装的插头和相配的插座将减少电击危险。
- ▶ **避免人体接触接地表面，如管道、散热片和冰箱。** 如果你身体接地会增加电击危险。
- ▶ **不得将电动工具暴露在雨中或潮湿环境中。** 水进入电动工具将增加电击危险。
- ▶ **不得滥用电线。绝不能用电线搬运、拉动电动工具或拔出其插头。使电线远离热源、油、锐边或运动部件。** 受损或缠绕的软线会增加电击危险。
- ▶ **当在户外使用电动工具时，使用适合户外使用的外接软线。** 适合户外使用的软线将减少电击危险。
- ▶ **如果在潮湿环境下操作电动工具是不可避免的，应使用剩余电流动作保护器（RCD）。** 使用RCD可减小电击危险。

人身安全

- ▶ **保持警觉，当操作电动工具时关注所从事的操作并保持清醒。当你感到疲倦，或在有药物、酒精或治疗反应时，不要操作电动工具。** 在操作电动工具时瞬间的疏忽会导致严重人身伤害。
- ▶ **使用个人防护装置。始终佩戴护目镜。** 安全装置，诸如适当条件下使用防尘面具、防滑安全鞋、安全帽、听力防护等装置能减少人身伤害。

- ▶ **防止意外起动。** 确保开关在连接电源和/或电池盒、拿起或搬运工具时处于关断位置。手指放在已接通电源的开关上或开关处于接通时插入插头可能会导致危险。
- ▶ **在电动工具接通之前，拿掉所有调节钥匙或扳手。** 遗留在电动工具旋转零件上的扳手或钥匙会导致人身伤害。
- ▶ **手不要伸展得太长。时刻注意立足点和身体平衡。** 这样在意外情况下能很好地控制电动工具。
- ▶ **着装适当。不要穿宽松衣服或佩戴饰品。让衣服、手套和头发远离运动部件。** 宽松衣服、配饰或长发可能会卷入运动部件中。
- ▶ **如果提供了与排屑、集尘设备连接用的装置，要确保他们连接完好且使用得当。** 使用这些装置可减少尘屑引起的危险。
- ▶ **即使由于经常使用电动工具而对此非常熟悉，也不要就认为可以高枕无忧而忽略工具的安全规定。** 粗心大意的行为可能在瞬间就造成严重的伤害。

电动工具使用和注意事项 电动工具使用和注意事项

- ▶ **不要滥用电动工具，根据用途使用适当的电动工具。** 选用适当设计的电动工具会使你工作更有效、更安全。
- ▶ **如果开关不能接通或关断工具电源，则不能使用该电动工具。** 如果开关不能接通或关断工具电源，则不能使用该电动工具。
- ▶ **在进行任何调节、更换附件或贮存电动工具之前，必须从电源上拔掉插头和/或使电池盒与工具脱开。** 这种防护性措施将减少工具意外起动的危险。
- ▶ **将闲置不用的电动工具贮存在儿童所及范围之外，并且不要让不熟悉电动工具或对这些说明不了解的人操作电动工具。** 电动工具在未经培训的用户手中是危险的。
- ▶ **保养电动工具。检查运动件是否调整到位或卡住，检查零件破损情况和影响电动工具运行的其他状况。** 如有损坏，电动工具应在使用前修理好。许多事故由维护不良的电动工具引发。
- ▶ **保持切削刀具锋利和清洁。** 保养良好的有锋利切削刃的刀具不易卡住而且容易控制。
- ▶ **按照使用说明书，考虑作业条件和进行的作业来使用电动工具、附件和工具的刀头等。** 将电动工具用于那些与其用途不符的操作可能会导致危险。
- ▶ **保持手柄和握持表面干燥、清洁、无油污。** 在突发情况下，滑溜的手柄和握持表面无法确保安全地握持和控制工具。

维修

- ▶ **将电动工具用于那些与其用途不符的操作可能会导致危险。** 这样将确保所维修的电动工具的安全性。

圆锯安全规章

切割步骤

- ▶ **⚠ 危险：使双手远离切割区域和锯片。用另一只手握住辅助手柄或电机壳体。** 如果双手握住锯子，则不会被锯片切割。
- ▶ **不要把手伸到加工件下面。** 防护罩无法防护加工件下面的锯片。
- ▶ **根据加工件厚度，调整切割深度。** 加工件下方应看到完整锯齿的一部分。
- ▶ **不要手握正在切割的加工件或在切割时将其横放在腿上。** 将加工件固定到稳定的平台上。必须对工作提供适当支持，以降低身体暴露、锯片卡滞或失控。
- ▶ **操作期间，切割工具可能接触暗线或其自带电源线，一定要握住电动工具的绝缘握持面。** 接触“带电”的电线会使电动工具裸露的金属部件“带电”，可能使得操作员触电。
- ▶ **当进行纵锯时，始终使用纵锯挡或直边导板。** 这样能提高切割精确度并降低锯片卡滞概率。
- ▶ **始终使用轴孔尺寸和形状（菱形/圆形）正确的锯片。** 与锯子的安装硬件不匹配的锯片会偏离中心，造成失控。
- ▶ **切勿使用损坏或不合适的锯片垫片或螺栓。** 锯片垫片和螺栓专为您的锯子设计，以实现最优性能和安全操作。

弹回原因和相关警告

— 弹回是针对被夹住、卡住或错位的锯片的突然反应，会造成失控的锯子向上举起并离开加工件，冲向操作员；

— 当锯片被正在关闭的切口紧紧夹住或卡住时，锯片停顿且电机反应驱动切割单元快速朝向操作员回退；

— 如锯片在切割中扭曲或错位，锯片背面边缘的齿会进入木料表面，造成锯片爬出切口并朝操作员回跳。

弹回是锯子不正当使用和/或操作流程或条件不正确的结果，可通过采取以下预防措施来避免。

- ▶ **牢牢把握锯子，将手臂摆好位置，以抵挡回弹力。** 使身体在锯片的一侧，但不要与锯片在一条线上。弹回可能导致锯子向后跳，但如采取适当的预防措施，操作员可以控制回弹力。
- ▶ **当锯片卡滞或由于某种原因中断切割时，松开触发器并保持锯子不动，直至锯片完全停止。** 不要试图在锯子运行时移出或将锯子向后拉，不然会出现回弹。调查并进行修正，以消除锯片缠绕。
- ▶ **当在加工件中重新启动锯子时，将锯片定位在切口中，以便锯齿不卡入材料。** 如锯片缠绕，重新启动时可能向上走或从加工件弹回。
- ▶ **支撑大型板材，以降低锯片夹住和回弹的风险。** 大的板材会因自重而下垂。在板材下方两侧、靠近切割线和加工件边缘的地方提供支撑。
- ▶ **不要使用钝锯片或损坏的锯片。** 未磨锐或设置不当的锯片会产生狭小的切口，导致摩擦过大、锯片卡滞和回弹。

- ▶ **切割前**，锯片深度和斜角调整锁定杆必须牢牢锁定。如在切割时锯片调整装置移动，则可能造成缠绕和弹回。
- ▶ **锯切现有墙体或其它盲区时要格外小心**。凸出的锯片可能会切到导致回弹的物体。

下部防护罩功能

- ▶ **每次使用前**，检查下部防护罩是否能正常关闭。如下部防护罩无法自由活动并立即关闭，则不要操作锯子。不要夹住或绑住下部防护罩使其进入打开位置。如锯子不小心跌落，下部防护罩可能弯曲。用收缩手柄抬起下部防护罩并确保防护罩可自由活动且在任意切割角度和深度都不会触碰锯片或其他零部件。
- ▶ **检查下部防护罩弹簧的运行**。如防护罩和弹簧运行不正常，使用前必须进行检修。因部件损坏、粘胶残留物或碎片堆积，下部防护罩可能运行迟缓。
- ▶ **下部防护罩可手动收回**，仅用于特殊切割，如“切入式切割”和“复合式切割”。用收缩手柄抬起下部防护罩，一旦锯片进入材料，必须松开下部防护罩。对于所有其他锯切，下部防护罩应自动运行。
- ▶ **在将锯子放到凳子或地板上之前**，始终注意下部防护罩覆盖锯片。未受保护且快速移动的锯片会导致锯片倒退，切割所有在其路径上的物件。注意开关松开后，锯片停止所用的时间。

其他安全规章

- ▶ **不要用手抓握排屑槽**。可能会被旋转部件伤到。
- ▶ **不要在头顶操作电锯**。此时您无法完全控制电动工具。
- ▶ **使用合适的侦测装置侦察隐藏的电线**，或者向当地的相关单位寻求支援。接触电线可能引起火灾并让操作者触电。损坏了瓦斯管会引起爆炸。凿穿水管不仅会造成严重的财物损失，也可能导致触电。
- ▶ **不要以固定方式使用电动工具**。它不是为锯台应用而设计的。
- ▶ **在非直角切入时确保电锯的导板不会侧移**。侧移可能会导致锯片夹住并因此而回弹。
- ▶ **不要使用高速钢锯片**。此类锯片容易折断。
- ▶ **不要锯切铁族金属**。带火星的切屑可能会点燃粉尘吸尘器。
- ▶ **等待电动工具完全静止后才能够放下机器**。机器上的工具可能在工作中被夹住，而令您无法控制电动工具。
- ▶ **工作时使用双手握紧电动工具并确保站稳**。使用双手才能够稳定地操作电动工具。

产品和性能说明



请阅读所有安全规章和指示。不遵照以下警告和说明可能导致电击、着火和/或严重伤害。

请注意本使用说明书开头部分的图示。

按照规定使用

本电动工具适合在稳固的底座上对木材进行纵向和横向直线锯割以及斜角锯割。

不可以使用本机器加工铁族金属。

插图上的机件

机件的编号和电动工具详解图上的编号一致。

- (1) 防护罩
- (2) 电源开关的锁定按钮
(3 601 EA2 0K./3 601 EA2 0L./3 601 EA2 0F.)
- (2) 电源开关开机锁
(3 601 EA2 0B./3 601 EA2 0A./3 601 EA2 0C./3 601 EA2 0D./3 601 EA2 0E./3 601 EA2 0F./3 601 EA2 0G./3 601 EA2 0H./3 601 EA2 0I./3 601 EA2 0J./3 601 EA2 0K./3 601 EA2 0L./3 601 EA2 0M./3 601 EA2 0N./3 601 EA2 0O./3 601 EA2 0P./3 601 EA2 0Q./3 601 EA2 0R./3 601 EA2 0S./3 601 EA2 0T./3 601 EA2 0U./3 601 EA2 0V./3 601 EA2 0W./3 601 EA2 0X./3 601 EA2 0Y./3 601 EA2 0Z.)
- (3) 电源开关
- (4) 辅助手柄
- (5) 主轴锁定键
- (6) 斜切角度的刻度
- (7) 斜切角预选的翼形螺栓
- (8) 平行限制器的翼形螺栓
- (9) 切割标记45°
- (10) 切割标记0°
- (11) 平行限制器
- (12) 摆动防护罩
- (13) 活动防护罩的调整杆
- (14) 底板
- (15) 斜切角预选的翼形螺栓
- (16) 锯屑排口
- (17) 内六角扳手
- (18) 带垫片的夹紧螺栓
- (19) 夹紧法兰
- (20) 圆锯锯片^{A)}
- (21) 固定法兰
- (22) 电锯主轴
- (23) 抽吸适配器固定螺栓^{A)}
- (24) 抽吸适配器^{A)}
- (25) 切割深度预选夹紧杆
- (26) 切割深度刻度
- (27) 螺旋夹钳对^{A)}
- (28) 手柄 (绝缘握柄)

A) 图表或说明上提到的附件，并不包含在基本的供货范围中。本公司的附件清单中有完整的附件供应项目。

技术参数

手动圆锯		GKS 235 Turbo	GKS 235 Turbo	GKS 9
物品代码		3 601 EA2 0..	3 601 EA2 0B.	3 601 EA2 00. 3 601 EA2 07.
额定输入功率	瓦	2050	2050	2050
无负载转速	转/分钟	5300	5300	5300
最大负载转速	转/分钟	3500	3500	3500
最大切割深度				
- 斜切角度 0° 时	毫米	85	85	85
- 斜切角度 45° 时	毫米	65	65	65
主轴锁		●	●	●
底板尺寸	毫米	383 x 170	383 x 170	383 x 170
最大锯片直径	毫米	235	235	235
最小锯片直径	毫米	230	230	230
最大锯片体厚度	毫米	2.2	2.2	2.2
最大锯齿厚度/锯齿斜度	毫米	3.2	3.2	3.2
最小锯齿厚度/锯齿斜度	毫米	2.0	2.0	2.0
接头孔径	毫米	25	25.4	30
重量符合 EPTA-Procedure 01:2014	千克	7.6	7.6	7.6
保护等级		□/II	□/II	□/II

仅针对无起动电流限制的电动工具：开动电动工具时，电压会短时下降。如果电源网络状况不佳，可能会干扰其他机器。在电源阻抗小于0.14欧姆时不会产生干扰。

所有参数适用于230伏的额定电压[U]，对于其他不同的电压和国际规格，数据有可能不同。

噪声/振动值

根据EN 62841-2-5确定噪声辐射值。

评价为A的电动工具噪声水平通常为：声压级 92 dB (A)；声功率级103 dB (A)。不确定性系数K = 3 dB。

请佩戴防护耳罩!

根据EN 62841-2-5确定振动总值 a_h （三个方向的矢量和）和不确定性系数K：

切锯木材： $a_h = 3.3 \text{ m/s}^2$ ，K = 1.5 m/s^2

本使用说明书中提供的震动水平和噪音发射值是根据EN 62841中规定的测量方式所测得的，因此可以用来在电动工具之间进行比较。也适用于震动和噪音发射的初步评估。

该震动水平和噪音发射值代表着电动工具用于主要用途时的数值。但是，如果将电动工具挪作他用、使用有所偏差的工具刀头或保养不利，震动水平和噪音发射值可能会不同。这样在整个工作时间内会明显地提高震动和噪音发射量。

为了准确地评估震动和噪音发射，还必须考虑到关机的时间，以及开机后尚未正式工作之前的待命时间。这样在整个工作时间内会明显地降低震动和噪音发射量。

重要的是，采取额外的安全防范措施，保护操作者免受震动伤害，例如：做好电动工具以及工具刀头

的保养工作，工作时手部保持温暖，正确地安排工作的流程等。

安装

- ▶ 所使用的锯片的最高许可转速必须高于电动工具的无负载转速。

安装/更换圆锯锯片

- ▶ 在电动工具上进行所有操作之前都必须从插座上拔出电源插头。
- ▶ 安装锯片时务必穿戴防护手套。手如果接触锯片可能被割伤。
- ▶ 只允许使用符合本使用说明书中和电动工具上给出的特性数据的锯片。
- ▶ 切削附件的允许转速必须至少不低于于电动工具上标出的最高转速。转速高于允许值时，附件可能会爆裂和飞溅。
- ▶ 千万不可以使用研磨片充当刀具。

选择锯片

本说明书的末端，有锯刀的一览表。

拆卸锯片（见图片 A）

更换刀具时最好以马达箱朝下的方式竖起电动工具。

- 按压主轴锁定键 (5) 并按住。
- ▶ **待主轴完全静止后，才可以使用主轴锁定键(5)。** 否则可能会损坏电动工具。
- 用内六角扳手 (17) 将夹紧螺栓 (18) 朝旋转方向①旋出。
- 翻回活动防护罩 (12) 并固定住。
- 将夹紧法兰 (19) 和锯片 (20) 从主轴 (22) 上取下。

安装锯片 (见图片A)

更换刀具时最好以马达箱朝下的方式竖起电动工具。

- 清洁锯片(20)和所有待安装的夹紧件。
- 翻回活动防护罩(12)并固定住。
- 将锯片(20)放到固定法兰(21)上。锯齿的切割方向(锯片上的箭头方向)与防护罩(1)上的旋转方向箭头必须一致。
- 放上夹紧法兰(19)并将夹紧螺栓(18)朝旋转方向②拧紧。请注意固定法兰(21)和夹紧法兰(19)的安装位置是否正确。
- 按压主轴锁定键(5)并按住。
- 用内六角扳手(17)将夹紧螺栓(18)朝旋转方向②拧紧。拧紧力矩约为10–12 Nm, 相当于手动拧紧四分之一周。

吸锯尘/吸锯屑

含铅的颜料以及某些木材、矿物和金属的加工废尘有害健康。机器操作者或者工地附近的人如果接触、吸入这些废尘，可能会有过敏反应或者感染呼吸道疾病。

某些尘埃(例如加工橡木或山毛榉的废尘)可能致癌，特别是和处理木材的添加剂(例如木材的防腐剂等)结合之后。只有经过专业训练的人才能够加工含石棉的物料。

- 尽可能使用适合物料的吸尘装置。
- 工作场所要保持空气流通。
- 最好佩戴P2滤网等级的口罩。

请留心并遵守贵国和加工物料有关的法规。

- ▶ **避免让工作场所堆积过多的尘垢。** 尘埃容易被点燃。

安装吸尘适配器 (见图片 B)

将吸尘适配器 (24) 插到锯屑排口 (16) 上，直至卡止。此外，用螺栓 (23) 固定住吸尘适配器 (24)。可在吸尘适配器 (24) 上连接一根直径为35 mm的抽吸软管。

- ▶ **不得在未连接外部集尘装置的情况下安装吸尘适配器。** 否则可能造成机器的排尘管道阻塞。
- ▶ **吸尘适配器上不得连接集尘袋。** 这样会造成机器的排尘系统阻塞。

为确保最佳的集尘效果，必须定期清洁吸尘适配器 (24)。

外部集尘装置

电动工具可直接连接到带远程启动功能的博世通用吸尘器的电源插座上。开动电动工具时吸尘器会跟着启动。

根据工件的物料选择合适的吸尘装置。

吸尘可能危害健康，可能导致癌症或干燥的废尘时，务必使用特殊的吸尘装置。

在德国要求使用基于TRGS 553检测的木屑集尘装置，自主除尘设备不得用于商业领域。对于其他材料，商业用户必须向负责的专业协会声明特殊要求。

运行

运行模式

- ▶ **在电动工具上进行所有操作之前都必须从插座上拔出电源插头。**

调整切削深度 (参考插图 C)

- ▶ **请根据工件厚度调整切削深度。** 不可以让锯齿完全突出于工件之外。

请松开夹紧杆 (25)。如需减小切削深度，请将锯片拉离底板 (14)，如要增大切削深度，请朝底板 (14) 按压锯片。参考锯深刻度尺调整好锯深。请再次拧紧夹紧杆 (25)。

夹紧杆(25)的夹紧力可以重新调节。为此拧下夹紧杆(25)，然后将其逆时针方向至少错开30° 度重新拧紧。

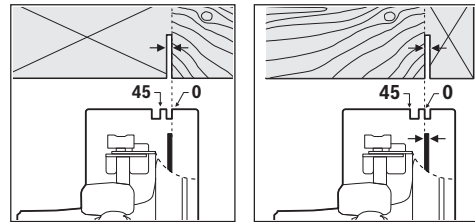
调整斜切角度

最好将电动工具放在防护罩(1)的正面。

请松开翼形螺栓(7)和(15)。将电锯移到侧面。参考刻度尺(6)调整好锯深。请再次拧紧翼形螺栓(7)和(15)。

提示：斜切时，切削深度小于锯深刻度尺 (26) 上显示的数值。

切割标记



切割标记0° (10)表示直角切割时锯片的位置。切割标记45° (9)表示45° 切割时锯片的位置。

为了确保锯割的准确性，请根据插图的指示操作圆锯锯片。最好先进行试锯。

投入使用

- ▶ **注意电源电压！** 电源的电压必须和电动工具铭牌上标示的电压一致。标记为230伏电动工具用220伏的电压可以驱动。

接通/关闭

- ▶ **请确保握住手柄时可以开启/关闭开关。**

3 601 EA2 0K./3 601 EA2 0L./3 601 EA2 0F.:

使用电动工具时按压起停开关 (3) 并按住。

如需锁定被按住的起停开关 (3)，请按压锁定键 (2)。

如需**关闭**电动工具，请松开起停开关 (3)，如果其已被锁定键 (2) 锁住，请短促按压起停开关 (3)，然后再松开。

3 601 EA2 08./3 601 EA2 0B./3 601 EA2 04./
3 601 EA2 00./3 601 EA2 07.:

使用电动工具时先操纵开机锁 (2)，接着按压起停开关 (3) 并按住。

关闭电动工具时，请松开起停开关 (3)。

提示：基于安全的顾虑，起停开关 (3) 无法被锁定。所以操作机器时必须持续地按住开关。

工作提示

保护锯片免受冲撞和敲击。

所以操作电动工具时必须施力均匀，并朝着切割方向轻轻推动。推动电动工具时如果用力过猛，不但会明显降低电动工具的使用寿命，而且可能损坏电动工具。

锯切功率和切割质量主要由锯片的状况和锯片齿形决定。因此只能使用锋利和适合工件材料的锯片。

锯割木材

根据木材的种类、木材的品质以及锯割的方向（顺著木纹锯割或与木纹交叉锯割）选择合适的锯片。顺著木纹锯割红杉时会产生长的螺旋形木屑。

山毛榉和橡木粉尘对健康特别危险，所以只能通过尘粒抽吸设备清理灰尘。

用平行限制器锯切（见图片 D）

平行限制器 (11) 可以沿着工件边缘精确切割或切割相同尺寸的板条。

松开蝶翼螺丝 (8)，将平行限制器 (11) 的刻度推过底座 (14) 中的导向件。将所需的切割宽度设置为相应切割标记 (10) 或 (9) 上的刻度值，参见“切割标记”段落。再次拧紧蝶翼螺丝 (8)。

用平行限制器锯切（见图片 E）

分割大的工件或锯割直边时，可以用弓形夹钳把木板或木条固定在工件上充当辅助挡块，接著再沿着辅助挡块移动底座。

维修和服务

维修和清洁

- ▶ 在电动工具上进行所有操作之前都必须从插座上拔出电源插头。
- ▶ 电动工具和通气孔必须随时保持清洁，以确保工作效率和工作安全。

如果必须更换连接线，务必把这项工作交给博世或者经授权的博世电动工具客户服务执行，以避免危害机器的安全性能。

活动防护罩必须能够无阻地摆动，并且要能够自动关闭。所以防护罩的四周必须随时保持清洁。请用刷子去除粉尘和碎屑。

如果锯片未上保护漆，可以在锯片上涂抹一层薄薄的无酸润滑油以预防锯片生锈。使用机器之前必须清除油层，否则会在木材上留下污斑。

锯片如果沾了残馀的树脂和胶水会影响锯割效果。因此使用机器后必须马上清洁锯片。

客户服务和应用咨询

本公司顾客服务处负责回答有关本公司产品的修理、维护和备件的问题。备件的分解图和信息也可查看：www.bosch-pt.com
博世应用咨询团队乐于就我们的产品及其附件问题提供帮助。

www.powertool-portal.de，适合工匠和DIY者的互联网门户网站。

如需查询和订购备件，请务必提供产品型号铭牌上的10位数货号。

香港和澳门特别行政区

罗伯特博世有限公司
香港北角英皇道625号，
21楼

客户服务热线：+852 2101 0235

传真：+852 2590 9762

电子邮件：info@hk.bosch.com

www.bosch-pt.com.hk

中国大陆

博世电动工具（中国）有限公司，中国浙江省杭州市
滨江区滨康路567号

102/1F服务中心

邮政编码：310052

电话：(0571) 8887 5566 / 5588

传真：(0571) 8887 6688 x 5566# / 5588#

电邮：bsc.hz@cn.bosch.com

中华人民共和国

中国大陆

博世电动工具（中国）有限公司

博世服务中心

中国浙江省杭州市

滨江区

滨康路567号，

310052

电话：(0571) 8887 5566 / 5588

传真：(0571) 8887 6688 x 5566# / 5588#

电子邮件：bsc.hz@cn.bosch.com

www.bosch-pt.com.cn

处理废弃物

必须以符合环保要求的方式回收再利用电动工具、附件和包装材料。



请勿将电动工具扔到生活垃圾中！

仅适用于欧盟国家：

根据废旧电气和电子设备欧洲指令2012/19/EU和转化成的国家法律，必须将无法再使用的电动工具分开收集并以符合环保的方式回收再利用。

繁體中文

安全注意事項

電動工具一般安全注意事項

警告 請詳讀工作臺及電動工具的所有安全警告與使用說明。若不遵照以下列出的指示，將可能導致電擊、著火和/或人員重傷。

保存所有警告和說明書以備查閱。

在所有警告中，「電動工具」此一名詞泛指：以市電驅動的（有線）電動工具或是以電池驅動的（無線）電動工具。

工作場地的安全

- ▶ 保持工作場地清潔和明亮。混亂和黑暗的場地會引發事故。
- ▶ 不要在易爆環境，如有易燃液體、氣體或粉塵的環境下操作電動工具。電動工具產生的火花會點燃粉塵或氣體。
- ▶ 讓兒童和旁觀者離開後操作電動工具。注意力不集中會使您失去對工具的控制。

電氣安全

- ▶ 電動工具插頭必須與插座相配。絕不能以任何方式改裝插頭。需接地的電動工具不能使用任何轉換插頭。未經改裝的插頭和相配的插座將減少電擊危險。
- ▶ 避免人體接觸接地表面，如管道、散熱片和冰箱。如果您身體接地會增加電擊危險。
- ▶ 不得將電動工具暴露在雨中或潮濕環境中。水進入電動工具將增加電擊危險。
- ▶ 不得濫用電線。絕不能用電線搬運、拉動電動工具或拔出其插頭。使電線遠離熱源、油、銳利邊緣或移動零件。受損或纏繞的軟線會增加電擊危險。
- ▶ 當在戶外使用電動工具時，使用適合戶外使用的延長線。適合戶外使用的軟線，將減少電擊危險。
- ▶ 如果在潮濕環境下操作電動工具是不可避免的，應使用剩餘電流動作保護器（RCD）。使用RCD可降低電擊危險。

人身安全

- ▶ 保持警覺，當操作電動工具時關注所從事的操作並保持清醒。當您感到疲倦，或在有藥物、酒精或治療反應時，不要操作電動工具。在操作電動工具時瞬間的疏忽會導致嚴重人身傷害。
- ▶ 使用個人防護裝置。始終佩戴護目鏡。安全裝置，諸如適當條件下使用防塵面具、防滑安全鞋、安全帽、聽力防護等裝置能減少人身傷害。
- ▶ 防止意外起動。確保開關在連接電源和/或電池盒、拿起或搬運工具時處於關閉位置。手指放在已接通電源的開關上或開關處於接通時插入插頭可能會導致危險。

- ▶ 在電動工具接通之前，拿掉所有調節鑰匙或扳手。遺留在電動工具旋轉零件上的扳手或鑰匙會導致人身傷害。
- ▶ 手不要伸展得太長。時刻注意立足點和身體平衡。這樣在意外情況下能很好地控制電動工具。
- ▶ 著裝適當。不要穿寬鬆衣服或佩戴飾品。讓您的衣物及頭髮遠離運動部件。寬鬆衣服、佩飾或長髮可能會捲入運動部件中。
- ▶ 如果提供了與排屑、集塵設備連接用的裝置，要確保他們連接完好且使用得當。使用這些裝置可減少塵屑引起的危險。
- ▶ 切勿因經常使用工具所累積的熟練感而過度自信，輕忽工具的安全守則。任何一個魯莽的舉動都可能瞬間造成人員重傷。

電動工具使用和注意事項

- ▶ 不要濫用電動工具，根據用途使用適當的電動工具。選用適當設計的電動工具會使您工作更有效、更安全。
- ▶ 如果開關不能開啟或關閉工具電源，則不能使用該電動工具。不能用開關來控制的電動工具是危險的且必須進行修理。
- ▶ 在進行任何調整、更換配件或貯存電動工具之前，必須從電源上拔掉插頭並/或取出電池盒。這種防護性措施將減少工具意外起動的危險。
- ▶ 將閒置不用的電動工具貯存在兒童所及範圍之外，並且不要讓不熟悉電動工具或對這些說明不瞭解的人操作電動工具。電動工具在未經培訓的用戶手中是危險的。
- ▶ 保養電動工具與配備。檢查運動件是否調整到位或卡住，檢查零件破損情況和影響電動工具運行的其他狀況。如有損壞，電動工具應在使用前修理好。許多事故由維護不良的電動工具引發。
- ▶ 保持切削刀具鋒利和清潔。保養良好的有鋒利切削刃的刀具不易卡住而且容易控制。
- ▶ 按照使用說明書，考慮作業條件和進行的作業來使用電動工具、配件和工具的刀頭等。將電動工具用於那些與其用途不符的操作可能會導致危險。
- ▶ 把手及握持區應保持乾燥、潔淨，且不得沾染任何油液或油脂。易滑脫的把手及握持區將無法讓您在發生意外狀況時安全地抓緊並控制工具。

檢修

- ▶ 將您的電動工具送交專業維修人員，必須使用同樣的備件進行更換。這樣將確保所維修的電動工具的安全性。

圓鋸機安全注意事項

切割程序

- ▶ **危險：**雙手需遠離切割區域和刀片。請將另一隻手放在輔助把手或馬達外殼上。雙手皆握住電鋸可有效減少手部被刀片割傷的風險。
- ▶ 請勿將手放在工件的下方。若放在工件的下方，防護蓋將無法保護您不受刀片的威脅。
- ▶ 將切割深度調整為工件的厚度。工件下方應不會出現刀片鋸齒的完整鋸齒。

- ▶ 切割時，切勿用手握住待切割的工件或讓工件跨過腿部。將工件固定到穩定的平台。請務必適當地支撐切削工作，盡可能減少身體曝露、刀片卡死或失控。
- ▶ 進行作業時，負責進行切割的工具可能會碰觸到隱藏的配線或電動工具的電線，請從絕緣握把處拿持電動工具。若是觸及「帶電」的電線，可能導致電動工具外露的金屬部件「帶電」，進而使操作人員遭受電擊。
- ▶ 進行劈鋸時，請使用劈鋸護欄或垂直邊緣護欄。這樣可能提升切割精確度並降低刀片卡死的機率。
- ▶ 請務必使用具備正確尺寸和心軸形狀（鑽石或圓形）的刀片。不符合鋸片安裝硬體的刀片在運轉時將會偏離中心，進而導致失控。
- ▶ 請勿使用損壞或不正確的刀片墊片或螺栓。刀片墊片是針對您的電鋸專門設計，能確保其運作效能與操作安全性。

反彈原因與相關警告

– 反彈是在鋸片卡住、夾住或錯位時瞬間產生的反作用力，可能造成電鋸無法控制，讓工件朝向操作人員彈出；

– 刀片被閉合的切口緊緊卡住或夾住時，刀片即無法順利向前移動，而馬達的反作用力則會使裝置朝向操作人員快速向後彈出；

– 如果在切割中刀片扭曲或錯位，則刀片背面邊緣上的鋸齒可能會鑽進木材表面，而使刀片脫出切口或朝向操作人員反彈。

反彈是不當使用電鋸及/或操作程序（條件）不正確所造成的結果。採取以下適當預防措施，則可避免此一情況。

- ▶ 用雙手穩定地握住電鋸上的握把，並放穩雙臂以抵抗反彈的力量。讓您的身體位在刀片的兩側位置，但不與刀片對齊。反彈可能導致電鋸向後彈，但如果採取了適當的預防措施，則可由操作人員來控制反彈的力量。
- ▶ 當刀片因任何原因卡死不動或中斷切割時，請鬆開開關，並讓刀片停留在材質中不要移動，直至完全停止轉動。切勿試圖移開運作中的電鋸，或在刀片移動時將電鋸向後拉，否則可能會出現反彈狀況。瞭解情況並採取更正措施，以消除刀片卡死的原因。
- ▶ 當在工件中重新啟動鋸片時，請將鋸片居中對齊切口，使鋸齒不會與材質啮合。如果鋸片卡死不動，重新啟動可能會使鋸片向前進或從工件反彈。
- ▶ 支撐控制板以降低刀片卡住及發生反彈的風險。大型控制板可能因其本身的重量而下垂。必須在控制板下方兩側、靠近切割線及靠近控制板邊緣加以支撐。
- ▶ 請勿使用已磨鈍或受損的刀片。未磨銳或未正確安裝的刀片會產生窄小的切口，造成阻力過大、刀片卡住和反彈。
- ▶ 在進行切割之前，刀片深度和斜角調整鎖定桿必須鎖緊並固定。切割時，如果刀片調整鎖定桿移動，可能會導致卡死和反彈。

- ▶ 鋸切現有的牆面或其他盲區時需特別小心。穿透的切片可能會切到會造成反彈的物體。

下方防護蓋功能

- ▶ 每次使用之前應檢查下方防護蓋是否正確關閉。若下方防護蓋無法自由移動，請勿操作電鋸並立即關閉。切勿將下方防護蓋夾住或固定在開啟位置。如果電鋸意外掉落，下方防護蓋可能會彎曲。利用回縮把手提起下方防護蓋，並確保防護蓋在所有角度和切割深度下皆可自由移動，且不會接觸到刀片或任何其他零件。
- ▶ 檢查下方防護蓋回位彈簧的操作。如果防護蓋和彈簧未正常運作，則必須在使用前進行維修。下方防護蓋可能會因損壞的零件、黏膠沉積物或碎片的累積而導致運作緩慢。
- ▶ 下方防護蓋只能在進行特殊切割（如「穿孔切割」和「複合切割」）時手動回縮。利用回縮把手升起下方防護蓋，並在刀片進入材質時必須盡快鬆開下方防護蓋。針對所有其他鋸切作業，下方防護蓋將會自動運作。
- ▶ 將電鋸放置在鋸台或地板上之前，請務必以下方防護罩覆蓋刀片。未受保護的慣性移動刀片將會導致電鋸向後移動，並切割移動路徑上的物體。注意在鬆開開關後鋸片停止所需要的時間。

其他安全注意事項

- ▶ 切勿徒手抓握出屑口。此處有旋轉部件，可能造成您受傷。
- ▶ 作業時，請勿讓電鋸的位置高於頭部。否則將無法充份控制電動工具的運作。
- ▶ 使用合適的偵測裝置偵察隱藏的電線，或者向當地的相關單位尋求支援。接觸電線可能引起火災並讓操作者觸電。若損壞瓦斯管會引起爆炸。鑿穿水管不僅會造成嚴重的財物損失，也可能導致觸電。
- ▶ 此電動工具請勿採取定位加工。它的設計並不是用來搭配鋸台使用。
- ▶ 進行非直角的「盲切」時，請固定此電鋸機的導板，以防發生側向偏移。側向偏移可能造成鋸片卡死，而使工具反彈。
- ▶ 請勿使用高合金快速鋼（HSS）材質的鋸片。此類鋸片容易折斷。
- ▶ 請勿鋸切鐵金屬。發燙的加工碎屑可能點燃吸塵裝置。
- ▶ 必須等待電動工具完全靜止後才能將它放下。嵌件工具可能卡住而使電動工具失控。
- ▶ 作業期間請用雙手牢牢握緊電動工具並保持穩固。使用雙手才能夠更穩定地操作電動工具。

產品和功率描述



請詳讀所有安全注意事項和指示。如未遵守安全注意事項與指示，可能導致火災、人員遭受電擊及/或重傷。請留意操作說明書中最前面的圖示。

依規定使用機器

本電動工具適合在穩固的底座上，對木材進行縱向和橫向的直線鋸切。

不可以使用本機器加工鐵族金屬。

插圖上的機件

機件的編號和電動工具詳解圖上的編號一致。

- | | |
|--|--|
| <ul style="list-style-type: none"> (1) 防護罩 (2) 起停開關的鎖止按鈕
(3 601 EA2 0K. / 3 601 EA2 0L. / 3 601 EA2 0F.) (2) 起停開關的作動安全鎖
(3 601 EA2 08. / 3 601 EA2 0B. / 3 601 EA2 04. / 3 601 EA2 00. / 3 601 EA2 07.) (3) 起停開關 (4) 輔助手柄 (5) 主軸鎖止鍵 (6) 斜鋸角刻度尺 (7) 設定斜鋸角的蝶翼螺栓 (8) 平行擋塊的蝶翼螺栓 (9) 45° 切割標記 | <ul style="list-style-type: none"> (10) 0° 切割標記 (11) 平行擋塊 (12) 活動防護罩 (13) 活動防護罩調整桿 (14) 底座 (15) 設定斜鋸角的蝶翼螺栓 (16) 出屑口 (17) 內六角扳手 (18) 夾緊螺栓，含墊片 (19) 緊固法蘭 (20) 圓鋸片^{A)} (21) 配接法蘭 (22) 電鋸主軸 (23) 吸塵轉接頭的固定螺栓^{A)} (24) 吸塵轉接頭^{A)} (25) 設定鋸切深度的緊固扳桿 (26) 鋸深刻度尺 (27) 一對活動夾鉗^{A)} (28) 把手 (絕緣握柄) |
|--|--|

A) 圖表或說明上提到的配件，並不包含在基本的供貨範圍中。本公司的配件清單中有完整的配件供應項目。

技術性數據

手提圓鋸機		GKS 235 Turbo	GKS 235 Turbo	GKS 9
產品機號		3 601 EA2 0..	3 601 EA2 0B.	3 601 EA2 00. 3 601 EA2 07.
額定輸入功率	W	2050	2050	2050
無負載轉速	次 / 分	5300	5300	5300
最大負載轉速	次 / 分	3500	3500	3500
最大鋸切深度				
- 斜鋸角為 0° 時	mm	85	85	85
- 斜鋸角為 45° 時	mm	65	65	65
主軸鎖		●	●	●
底座尺寸	mm	383 x 170	383 x 170	383 x 170
最大鋸片直徑	mm	235	235	235
最小鋸片直徑	mm	230	230	230
鋸片主體的最大厚度	mm	2.2	2.2	2.2
最大鋸齒厚度 / 鋸齒斜度	mm	3.2	3.2	3.2
最小鋸齒厚度 / 鋸齒斜度	mm	2.0	2.0	2.0
接頭孔徑	mm	25	25.4	30
重量符合 EPTA-Procedure 01:2014	kg	7.6	7.6	7.6
絕緣等級		□/II	□/II	□/II

僅適用於未配備起動限流器的電動工具：電動工具啟動時，電壓會突然下降。如果電源供應網狀況不佳，可能會干擾其他機器。電源阻抗小於 0.14 歐姆時，不會產生干擾。

本說明書提供的參數是以 230 伏特為依據，於低電壓地區，此數據有可能不同。

噪音 / 振動值

噪音強度是依照 EN 62841-2-5 之規定而測得的數值。

電動工具的噪音量評等為 A 級，其標準值為：音壓強度 92 dB(A)；聲功率級 103 dB(A)。不確定性係數 $K = 3$ dB。

請佩戴耳罩！

振動總量 a_h （三個方向的向量總和）以及不確定性係數 K 是依照 EN 62841-2-5 測得：

鋸切木材： $a_h = 3.3 \text{ m/s}^2$ ， $K = 1.5 \text{ m/s}^2$

本說明書中所載述的振動值和噪音強度皆是按照 EN 62841 之標準測量程序測得，可與其他電動工具的規格直接進行比較。這些數值亦適合用於初步評估振動強度與噪音強度。

列示的振動值和噪音強度僅代表電動工具的主要用途。電動工具若是用於其他用途、使用非指定嵌件工具、或維護不當，皆可能造成振動值和噪音強度有所偏差，而使整個工作期間的振動強度和噪音強度顯著提高。

為能正確估算振動強度與噪音強度，您應將工具關機或空轉的時間一併納入考量。這麼做可使整個工作期間的振動強度和噪音強度降低。

另外請您制定一套安全措施，以免振動對操作者產生不良影響，例如：維護電動工具與嵌件工具、確保雙手保暖、適當地編排工作步驟。

安裝

- ▶ 所使用的鋸片的最高許可轉速必須高於電動工具的無負載轉速。

安裝 / 更換圓鋸片

- ▶ 維修電動工具或換裝零、配件之前，務必從插座上拔出插頭。
- ▶ 安裝鋸片時務必戴上防護手套。手如果接觸鋸片可能被割傷。
- ▶ 所使用的鋸片必須符合本操作說明書中以及電動工具上所載述之特性參數。
- ▶ 嵌件工具的額定速度必須至少等於電動工具上標示的最高轉速。配件以比其額定速度大的速度運轉會發生爆裂和飛濺。
- ▶ 不得使用砂輪片作為切割工具。

選擇鋸片

本手冊最後面另外刊錄了鋸片一覽表。

拆卸鋸片（請參考圖 A）

更換刀具時最好以馬達機體朝下的方式豎起電動工具。

- 按壓主軸鎖止鍵 (5) 不要放開。
- ▶ 待電鋸主軸完全靜止後，才可以使用主軸鎖止鍵 (5)。否則可能造成電動工具損壞。
- 使用內六角扳手 (17) 將夾緊螺栓 (18) 沿旋轉方向 ① 鬆開。
- 將活動防護罩 (12) 往後翻，並讓它保持在這個位置上。

- 取下電鋸主軸 (22) 上的緊固法蘭 (19) 和鋸片 (20)。

安裝鋸片（請參考圖 A）

更換刀具時最好以馬達機體朝下的方式豎起電動工具。

- 請清潔鋸片 (20) 以及所有即將裝上的緊固件。
- 將活動防護罩 (12) 往後翻，並讓它保持在這個位置上。
- 將鋸片 (20) 裝到配接法蘭 (21) 上。鋸齒的鋸切方向（即鋸片上的箭頭方向）必須與防護罩 (1) 上的旋轉方向指示箭頭一致。
- 裝上緊固法蘭 (19)，並沿旋轉方向 ② 旋入夾緊螺栓 (18)。請注意：配接法蘭 (21) 和緊固法蘭 (19) 的安裝位置必須正確。
- 按壓主軸鎖止鍵 (5) 不要放開。
- 使用內六角扳手 (17) 將夾緊螺栓 (18) 沿旋轉方向 ② 旋緊。旋緊扭力應為 10 - 12 Nm，即徒手再多轉緊 $\frac{1}{4}$ 圈。

吸除廢塵 / 料屑

含鉛顏料、部分木材種類、礦石和金屬的加工廢塵有害健康。機器操作者或施工現場附近的人員如果接觸、吸入這些廢塵，可能會引發過敏反應或感染呼吸道疾病。

某些塵埃（例如加工橡木或山毛櫸的廢塵）可能致癌，特別是與處理木材的添加劑（例如木材的防腐劑等）結合之後。唯有受過專業訓練的人才能夠進行含石棉材料的加工。

- 儘可能使用適合物料的吸塵裝置。
- 工作場所要保持空氣流通。
- 建議佩戴 P2 過濾等級的口罩。

請留意並遵守貴國的物料加工相關法規。

- ▶ 避免讓工作場所堆積過多的塵垢。塵埃容易被點燃。

安裝吸塵轉接頭（請參考圖 B）

將吸塵轉接頭 (24) 插到出屑口 (16) 上，直到確實卡上。另外再用螺栓 (23) 固定吸塵轉接頭 (24)。

吸塵轉接頭 (24) 可連接直徑 35 mm 的吸塵管。

- ▶ 吸塵轉接頭若未外接其他吸塵裝置，則不得安裝在本產品上。否則可能造成機器的排塵管道阻塞。
 - ▶ 吸塵轉接頭不得直接連接集塵袋。這樣會造成機器的排塵系統阻塞。
- 必須定期清潔吸塵轉接頭 (24)，以確保最佳吸塵效果。

外接其他的吸塵裝置

本電動工具可直接連接到博世全能型吸塵器的插座上，該吸塵器具備遙控啟動功能。當您啟動本電動工具時吸塵器也會跟著啟動。

根據工件材質選擇合適的吸塵器。

吸塵可能危害健康，可能致癌或乾燥的廢塵時，務必使用特殊吸塵裝置。

在德國，通過 TRGS 553 檢驗的吸塵裝置用於吸除木屑時，機器本身的吸塵裝置不得做為工商業用

途。做為工商業用途時，本機器若是用於吸除木屑以外的其他物質，則操作人員必須向同業職災保險與預防協會進一步確認相關特殊規定。

操作

操作模式

- ▶ **維修電動工具或換裝零、配件之前，務必從插座上拔出插頭。**

調整鋸切深度（請參考圖 C）

- ▶ **請配合工件厚度來調整鋸切深度。**不可以讓鋸齒完全突出於工件之外。

鬆開緊固扳桿 (25)。鋸切深度較小時，請您將電鋸抽離底座 (14)；鋸切深度較大時，請將電鋸往底座 (14) 方向推入。參考鋸深刻度尺調整好鋸深。將緊固扳桿 (25) 重新拉緊。

緊固扳桿 (25) 的夾力可再進行調整。做法是：旋開緊固扳桿 (25)，然後再逆時針將它旋緊，至少達 30° 錯位。

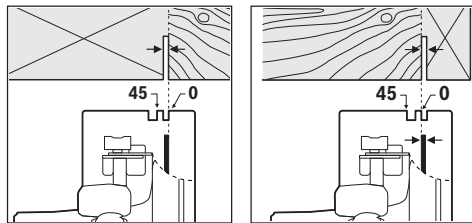
調整斜鋸角

擱放電動工具時，最好以防護罩 (1) 正面朝下之方式放置。

鬆開蝶翼螺絲 (7) 和 (15)。側向翻轉電鋸。參考刻度尺 (6) 調整至所需尺寸。將蝶翼螺絲 (7) 和 (15) 重新旋緊。

提示：進行斜切時，實際的鋸切深度會比鋸深刻度尺 (26) 上顯示的數值還要小。

切割標記



0° 切割標記 (10) 代表的是：進行直角鋸切時鋸片的所在位置。45° 切割標記 (9) 代表的是：進行 45° 鋸切時鋸片的所在位置。

為了確保鋸切的準確性，請按照插圖指示操作圓鋸機。最好先進行試鋸。

操作機器

- ▶ **請注意電源電壓！** 電源的電壓必須和電動工具銘牌上標示的電壓一致。標示為 230 V 的電動工具亦可接上 220 V 電源。

啟動 / 關閉

- ▶ **請確定您不用放開把手，就能操作起停開關。**

3 601 EA2 0K./3 601 EA2 0L./3 601 EA2 0F.:

按下起停開關 (3) 不要放開，即可讓電動工具**持續運轉**。

若要讓起停開關 (3) **保持在壓下狀態**，請按壓鎖止按鍵 (2)。

若要**關閉**電動工具，請直接放開起停開關 (3) 即可，或者您若有使用鎖止按鍵 (2)，則請在起停開關 (3) 上短按一下後放開。

3 601 EA2 08./3 601 EA2 0B./

3 601 EA2 04./3 601 EA2 00./

3 601 EA2 07.:

若要讓電動工具**運轉**，請先按下作動安全鎖 (2) 接著再按住起停開關 (3) 不要放開。

放開起停開關 (3)，即可讓電動工具**停止運轉**。

提示：基於安全考量，無法鎖定起停開關 (3) 的位置，所以操作機器時必須持續按住此開關。

作業注意事項

妥善保護鋸片，避免遭受衝撞和敲擊。

所以操作機器時必須施力均勻，並朝著切割方向輕輕推動工具。操作機器時如果推力過猛會降低鋸片的使用壽命，並且損壞電動工具。

鋸切功率和鋸切效果，基本上是由鋸片的狀況和鋸片上鋸齒的形狀決定。因此只能使用銳利且適用於工件材質的鋸片。

鋸切木材

根據木材的種類、木材的品質以及鋸切的方向（順著木紋鋸切或與木紋交叉鋸切）選擇合適的鋸片。

順著木紋鋸切紅杉時會產生長的螺旋形木屑。

櫟木及橡木的鋸屑對人體健康極為有害，因此加工時請務必搭配吸塵裝置一起使用。

使用平行擋塊進行鋸切（請參考圖 D）

平行擋塊 (11) 可讓您沿著工件邊緣精準鋸切，或鋸切出寬度相同的長條狀。

請鬆開蝶翼螺絲 (8) 然後沿著底座 (14) 上的導槽推挪平行擋塊 (11)。請將對應之切割標記 (10) 或 (9) 的刻度值設為所需鋸切寬度，請參閱「切割標記」小節。將蝶翼螺絲 (8) 重新旋緊。

使用輔助擋塊進行鋸切（請參考圖 E）

加工大型工件或鋸切直邊時，可以用弓形夾鉗把木板或木條固定在工件上充當輔助擋塊，接著再沿著輔助擋塊移動圓鋸機底座。

維修和服務

維修和清潔

- ▶ **維修電動工具或換裝零、配件之前，務必從插座上拔出插頭。**

- ▶ **電動工具和通風口都必須保持清潔，這樣才能夠提高工作品質和安全性。**

如果必須更換連接線，請務必交由博世或者經授權的博世電動工具顧客服務執行，以避免危害機器的安全性能。

活動防護罩必須能夠無阻礙地擺動，並且要能夠自動閉合。所以活動防護罩的四周必須隨時保持清潔。請用軟刷清除粉塵與鋸屑。

鋸片如果沒有保護塗層，可以在鋸片上塗抹一層薄薄的無酸潤滑油以預防鋸片生鏽。使用機器之前必須清除油層，否則會在木材上留下污斑。

鋸片如果黏上了殘餘的樹脂和膠水，將影響鋸切效果。因此使用機器後必須馬上清潔鋸片。

顧客服務處和顧客諮詢中心

本公司顧客服務處負責回答有關本公司產品的維修、維護和備用零件的問題。如需分解圖和備件的資料，請至以下網頁：www.bosch-pt.com

若對本公司產品及其配件有任何疑問，博世應用諮詢小組很樂意為您提供協助。

工匠與 DIY 玩家網路平台入口：www.powertool-portal.de

當您需要諮詢或訂購備用零件時，請務必提供本產品銘牌上的 10 位零件編號。

台灣

台灣羅伯特博世股份有限公司

建國北路一段90 號6 樓

台北市10491

電話：(02) 2515 5388

傳真：(02) 2516 1176

www.bosch-pt.com.tw

製造商地址：

Robert Bosch Power Tools GmbH

羅伯特· 博世電動工具有限公司

70538 Stuttgart / GERMANY

70538 斯圖加特 / 德國

廢棄物處理

必須以符合環保的方式，回收再利用損壞的機器、配件和廢棄的包裝材料。



不可以把電動工具丟入一般的家庭垃圾中。

僅適用於歐盟國家：

依據歐盟的廢電器電子設備指令 2012/19/EU 及其落實在各國當地的法令條文，無法再繼續使用的電動工具必須分別收集起來，然後遵照環保相關法規進行資源回收。

한국어

안전 수칙

전동공구 일반 안전 수칙

⚠ 경고 본 전동공구와 함께 제공된 모든 안전경고, 지시사항, 그림 및 사양을 숙지하십시오. 다음의 지시 사항을 준수하지 않으면 감전, 화재, 또는 심각한 부상을 초래할 수 있습니다.

앞으로 참고할 수 있도록 이 안전수칙과 사용 설명서를 잘 보관하십시오.

다음에서 사용되는 "전동공구"라는 개념은 전원에 연결하여 사용하는 (전선이 있는) 전동 기기나 배터리를 사용하는 (전선이 없는) 전동 기기를 의미합니다.

작업장 안전

- ▶ **작업장을 항상 깨끗이 하고 조명을 밝게 하십시오.** 작업장 환경이 어수선하거나 어두우면 사고를 초래할 수 있습니다.
- ▶ **가연성 유체, 가스 또는 분진이 있어 폭발 위험이 있는 환경에서 전동공구를 사용하지 마십시오.** 전동공구는 분진이나 증기에 점화하는 스파크를 일으킬 수 있습니다.
- ▶ **전동공구를 사용할 때 구경꾼이나 어린이 혹은 다른 사람이 작업장에 접근하지 못하게 하십시오.** 다른 사람이 주의를 산만하게 하면 기기에 대한 통제력을 잃기 쉽습니다.

전기에 관한 안전

- ▶ **전동공구의 전원 플러그가 전원 콘센트에 잘 맞아야 합니다.** 플러그를 절대 변경시켜서는 안 됩니다. (접지된) 전동공구를 사용할 때 어댑터 플러그를 사용하지 마십시오. 변형되지 않은 플러그와 잘 맞는 콘센트를 사용하면 감전의 위험을 줄일 수 있습니다.
- ▶ **파이프 관, 라디에이터, 레인지, 냉장고와 같은 접지 표면에 물이 닿지 않도록 하십시오.** 몸에 닿을 경우 감전될 위험이 높습니다.
- ▶ **전동공구를 비에 맞지 않게 하고 습기 있는 곳에 두지 마십시오.** 전동공구에 물이 들어가면 감전될 위험이 높습니다.
- ▶ **전원 코드를 잘못 사용하는 일이 없도록 하십시오.** 전원 코드를 잡고 전동공구를 운반해서는 안 되며, 콘센트에서 전원 플러그를 뽑을 때 전원 코드를 잡아 당겨서는 절대로 안 됩니다. 전원 코드가 열과 오일에 접촉하는 것을 피하고, 날카로운 모서리나 기기의 가동 부위에 닿지 않도록 주의하십시오. 손상되거나 영긴 전원 코드는 감전을 유발할 수 있습니다.
- ▶ **실외에서 전동공구로 작업할 때는 실외용으로 적당한 연장 전원 코드만을 사용하십시오.** 실외용 연장 전원 코드를 사용하면 감전의 위험을 줄일 수 있습니다.
- ▶ **전동공구를 습기 찬 곳에서 사용해야 할 경우에는 누전 차단기를 사용하십시오.** 누전 차단기를 사용하면 감전 위험을 줄일 수 있습니다.

사용자 안전

- ▶ **신중하게 작업하며, 전동공구를 사용할 때 경솔하게 행동하지 마십시오.** 피로한 상태이거나 약물 복용 및 음주한 후에는 전동공구를 사용하지 마십시오. 전동공구를 사용할 때 잠시라도 주의가 산만해지면 중상을 입을 수 있습니다.
- ▶ **작업자 안전을 위한 장치를 사용하십시오.** 항상 보호 안경을 착용하십시오. 전동공구의 종류와 사용에 따라 먼지 보호 마스크, 미끄러지지 않는 안전화,

- 안전모 또는 귀마개 등의 안전한 복장을 하면 상해의 위험을 줄일 수 있습니다.
- ▶ **실수로 기기가 작동되지 않도록 주의하십시오.** 전동공구를 전원에 연결하거나 배터리를 끼우기 전에, 혹은 기기를 들거나 운반하기 전에, 전원 스위치가 꺼져 있는지 다시 확인하십시오. 전동공구를 운반할 때 전원 스위치에 손가락을 대거나 전원 스위치가 켜진 상태에서 전원을 연결하면 사고 위험이 높습니다.
 - ▶ **전동공구를 사용하기 전에 조절하는 톨이나 키 등을 빼 놓으십시오.** 회전하는 부위에 있는 톨이나 키로 인해 상처를 입을 수 있습니다.
 - ▶ **자신을 과신하지 마십시오.** 불안정한 자세를 피하고 항상 평형을 이룬 상태로 작업하십시오. 안정된 자세와 평형한 상태로 작업해야만이 의외의 상황에서 전동공구를 안전하게 사용할 수 있습니다.
 - ▶ **알맞은 작업복을 입으십시오.** 헐렁한 복장을 하거나 장신구를 착용하지 마십시오. 머리카락이 감는 기기 부위에 가까이 닿지 않도록 주의하십시오. 헐렁한 복장, 장신구 혹은 긴 머리는 가동 부위에 말려 사고를 초래할 수 있습니다.
 - ▶ **분진 추출장치나 수거장치의 조립이 가능한 경우, 이 장치가 연결되어 있는지, 제대로 작동이 되는지 확인하십시오.** 이러한 분진 추출장치를 사용하면 분진으로 인한 사고 위험을 줄일 수 있습니다.
 - ▶ **툴을 자주 사용한다고 해서 안주하는 일이 없게 하고 공구의 안전수칙을 무시하지 않도록 하십시오.** 부주의하게 취급하여 순간적으로 심각한 부상을 입을 수 있습니다.

전동공구의 올바른 사용과 취급

- ▶ **기기를 과부하 상태에서 사용하지 마십시오.** 작업할 때 이에 적당한 전동공구를 사용하십시오. 알맞은 전동공구를 사용하면 지정된 성능 한도 내에서 더 효율적으로 안전하게 작업할 수 있습니다.
- ▶ **전원 스위치가 고장 난 전동공구를 사용하지 마십시오.** 전원 스위치가 작동되지 않는 전동공구는 위험하므로, 반드시 수리를 해야 합니다.
- ▶ **전동공구를 조정하거나 액세서리 부품 교환 혹은 공구를 보관할 때, 항상 전원 콘센트에서 플러그를 미리 빼어 놓거나 배터리를 분리하십시오.** 이러한 조치는 실수로 전동공구가 작동하게 되는 것을 예방합니다.
- ▶ **사용하지 않는 전동공구는 어린이 손이 닿지 않는 곳에 보관하고, 전동공구 사용에 익숙지 않거나 이 사용 설명서를 읽지 않은 사람은 기기를 사용해서는 안 됩니다.** 경험이 없는 사람이 전동공구를 사용하면 위험합니다.
- ▶ **전동공구 및 액세서리를 조심스럽게 관리하십시오.** 가동 부위가 하자 없이 정상적인 기능을 하는지, 걸리는 부위가 있는지, 혹은 전동공구의 기능에 중요한 부품이 손상되지 않았는지 확인하십시오. 손상된 기기의 부품은 전동공구를 다시 사용하기 전에 반드시 수리를 맡기십시오. 제대로 관리하지 않은 전동공구의 경우 많은 사고를 유발합니다.

- ▶ **절단 공구를 날카롭고 깨끗하게 관리하십시오.** 날카로운 절단면이 있고 잘 관리된 절단공구는 걸리는 경우가 드물고 조절하기도 쉽습니다.
- ▶ **전동공구, 액세서리, 장착하는 공구 등을 사용할 때, 이 지시 사항과 특별히 기종 별로 나와있는 사용 방법을 준수하십시오.** 이때 작업 조건과 실시하려는 작업 내용을 고려하십시오. 원래 사용 분야가 아닌 다른 작업에 전동공구를 사용할 경우 위험한 상황을 초래할 수 있습니다.
- ▶ **손잡이 및 잡는 면을 건조하게 유지하고, 오일 및 그 리스가 묻어 있지 않도록 깨끗하게 하십시오.** 손잡이 또는 잡는 면이 미끄러우면 예상치 못한 상황에서 안전한 취급 및 제어가 어려워집니다.

서비스

- ▶ **전동공구 수리는 반드시 전문 인력에게 맡기고, 수리 정비 시 보쉬 순정 부품만을 사용하십시오.** 그렇게 함으로써 기기의 안전성을 오래 유지할 수 있습니다.

등근톱 안전 수칙

절단 작업

- ▶ **⚠ 위험: 절단 영역 및 절단날에 손을 가까이 두지 마십시오.** 다른 한 손은 보조 손잡이 또는 모터 하우징을 잡으십시오. 양손으로 톨을 잡고 있으면, 절단날에 손이 베일 염려가 없습니다.
- ▶ **가공물 아래쪽으로 손을 내밀지 마십시오.** 가드를 사용해도 가공물 아래쪽에 있는 절단날로부터 보호받을 수 있는 것은 아닙니다.
- ▶ **가공물의 두께에 맞춰 절단 깊이를 조정하십시오.** 모든 가공물에서 최대 깊이로 절단하면 안 됩니다.
- ▶ **절단 작업을 진행하는 동안 가공물을 절대 손으로 잡거나 다리에 닿지 않게 하십시오.** 가공물을 작업대에 안전하게 고정시키십시오. 신체 노출, 절단날 고착 또는 통제력 상실 등을 최소화하려면 가공물을 단단히 고정하는 것이 중요합니다.
- ▶ **절단 공구가 숨겨진 배선 또는 코드를 접촉할 가능성이 있는 작업을 수행할 경우, 전동공구의 절연된 손잡이 면만 잡으십시오.** 전류가 흐르는 전선에 접촉되면, 전동공구의 노출된 금속 부분에 전류가 흐르는 상태가 되어 작업자가 감전될 수 있습니다.
- ▶ **컸는 작업을 할 때는 항상 립 펜스나 일자 가이드를 사용하십시오.** 절단 작업의 정확도를 높이고, 톨날이 고착될 가능성을 줄일 수 있습니다.
- ▶ **항상 주축 구멍의 크기와 모양(다이아몬드형 또는 원형)이 맞는 절단날을 사용하십시오.** 절단날이 톨에 장착된 장비와 맞지 않으면 중심을 벗어난 상태로 작동되어 통제력을 잃을 수 있습니다.
- ▶ **손상되거나 올바르게 맞지 않는 톨날 와셔나 볼트를 사용해서는 안 됩니다.** 톨날에 맞는 와셔와 볼트를 사용해야 안전하고 최적화된 작업을 할 수 있습니다.

킥백현상의 원인 및 관련 경고사항

- 킥백(반동)이란 톨날이 딱 끼이거나 고착되거나 어긋나면서 생기는 갑작스런 반작용을 의미하며, 반동이 생기면 통제력을 잃고 톨이 들어올려지면서 가공물을 벗어나 작업자를 향할 수 있습니다.

-작업이 중단된 절단 자국에 톱날이 딱 끼이거나 고착되면, 톱날이 멈추고 모터 반응으로 인해 장비가 갑자기 작업자를 향해 뒤쪽으로 이동될 수 있습니다.
-톱날이 절단 부위에서 비틀리거나 어긋나면, 톱날 뒤쪽 모서리에 있는 톱니가 목재 표면 상단을 파고 들어갈 수 있으며, 이로 인해 톱날이 절단 자국을 타고 내려가서 작업자쪽으로 튀어 오를 수 있습니다.
킥백 현상은 톱을 잘못 사용하거나 잘못된 조작 절차 또는 조건으로 인해 발생하며 아래와 같은 방법으로 예방할 수 있습니다.

- ▶ **양손으로 톱의 손잡이를 단단히 잡고, 팔은 반동력을 견딜 수 있는 위치에 놓으십시오.** 몸을 톱날과 일렬로 두지 말고 톱날 한쪽에 비켜 두십시오. 반동으로 인해 톱이 뒤쪽으로 튕길 수 있지만, 적절한 예방 조치를 취한다면 작업자가 반동력을 조절할 수 있습니다.
- ▶ **어떤 이유로든 날이 고착되거나 절단되지 않을 경우 작동장치에서 손을 떼고 작업 소재에서 톱날이 완전히 멈출 때까지 톱을 잡고 계십시오.** 톱날이 움직이는 동안 또는 반동이 생길 수 있는 상태에서는 가공물에서 톱을 떼어내거나 톱을 뒤쪽으로 당기지 마십시오. 점검을 통해 톱날의 고착 원인을 제거할 수 있는 조치를 취하십시오.
- ▶ **가공물에서 톱을 다시 작동시키면, 톱날의 중심을 절단 자국에 맞춰 톱니가 작업 소재에 걸리지 않도록 하십시오.** 톱날이 고착되면, 톱이 다시 작동되면서 톱날이 가공물을 타고 회전하거나 튕겨나갈 수 있습니다.
- ▶ **큰 패널은 받침대로 받쳐줌으로써 톱날이 끼일 위험 및 반동 위험을 최소화하여 줄이십시오.** 패널이 너무 크면 무게 때문에 아래로 처질 수 있습니다. 받침대는 양쪽 패널 아래 절단선 가까이, 그리고 패널 가장자리 가까이 배치해야 합니다.
- ▶ **무디거나 손상된 톱날을 사용하지 마십시오.** 톱날이 무디거나 올바르게 장착되지 않은 경우 절단 자국이 좁게 형성되면서 과도한 마찰, 톱날 고착 그리고 반동이 생길 수 있습니다.
- ▶ **톱날 깊이 및 경사 조정 고정 레버는 단단히 고정되어 있어야 하며, 절단하기 전에 잘 고정되어 있는지 확인하십시오.** 절단하는 도중에 톱날 조정 상태가 바뀌면, 톱날이 고착되거나 반동이 생길 수 있습니다.
- ▶ **벽 안쪽이나 눈에 잘 보이지 않는 부분을 절단할 때는 특히 주의하십시오.** 돌출된 톱날로 가공물을 자르면서 킥백 현상이 발생할 수 있습니다.

아래쪽 가드 기능

- ▶ **사용하기 전에 항상 아래쪽 가드가 잘 씌워져 있는지 확인하십시오.** 아래쪽 가드가 원하는 대로 움직이지 않을 경우 톱을 작동하지 말고 즉시 가드를 씌우십시오. 아래쪽 가드를 개방된 위치에 고정시키거나 류지 마십시오. 실수로 톱이 떨어진 경우, 아래쪽 가드가 구부러질 수 있습니다. 핸들을 되감아 아래쪽 가드를 들어 올려 가드가 원하는 대로 잘 움직이는지, 톱날 또는 다른 부위를 건드리지 않는지 모든 절단 각도 및 절단 깊이에서 확인하십시오.

- ▶ **아래쪽 가드 스프링이 작동하는지 확인하십시오.** 가드 및 스프링이 제대로 작동하지 않을 경우, 사용하기 전에 서비스를 받아야 합니다. 부품 손상, 끈끈한 침전물 생성 또는 파편들로 인해 가드 작동이 느려질 수 있습니다.
- ▶ **아래쪽 가드는 플런지 절단 및 혼합 절단과 같이 특수한 절단 작업이 이루어지는 경우에만 수동으로 감을 수 있습니다.** 핸들을 되감아 아래쪽 가드를 들어 올리고, 톱날이 소재에 진입하면 바로 아래쪽 가드에서 손을 떼야 합니다. 다른 톱질 작업을 할 경우, 아래쪽 가드는 자동으로 작동되는 것이 맞습니다.
- ▶ **톱을 작업대 또는 바닥에 내려놓기 전에 톱날이 아래쪽 가드에 씌워져 있는지 항상 확인하십시오.** 톱날에 가드가 씌워져 있지 않거나 톱날이 관성에 의해 아직 움직인다면 톱이 뒤쪽으로 이동하면서 그 경로에 놓인 물체를 절단할 수 있습니다. 스위치에서 손을 떼 후 톱날이 멈추기 전까지 시간이 얼마나 걸리는지 확인하십시오.

추가 안전 경고사항

- ▶ **힘 배출구를 손으로 잡지 마십시오.** 회전하는 부품에서 부상을 입을 수 있습니다.
- ▶ **머리 위에서 톱으로 작업하지 마십시오.** 전동공구에 대한 통제력을 잃을 수 있습니다.
- ▶ **보이지 않는 부위에 에너지 배선 및 배관 여부를 확인하려면 적당한 탐지기를 사용하거나 담당 전력 공급회사에 문의하십시오.** 전선에 접하게 되면 화재나 전기 충격을 야기할 수 있습니다. 가스관을 손상시키면 폭발 위험이 있습니다. 수도관을 파손하게 되면 재산 피해를 유발하거나 전기 충격을 야기할 수 있습니다.
- ▶ **전동공구가 고정되지 않은 상태에서 작동하지 마십시오.** 톱 테이블과 함께 사용하기 위한 용도로 설계되지 않았습니다.
- ▶ **직각으로 작업이 진행되지 않는 “플런지 컷” 작업 시 톱의 가이드 플레이트가 측면으로 밀리지 않도록 하십시오.** 측면으로 밀리면 톱날이 끼어 반동이 일어날 수 있습니다.
- ▶ **고속강(HSS)으로 된 톱날은 사용하지 마십시오.** 이런 톱날은 쉽게 부러질 수 있습니다.
- ▶ **철금속에 작업하지 마십시오.** 달아온 칩은 집진 시 점화될 수 있습니다.
- ▶ **전동공구를 내려놓기 전에 기기가 완전히 멈추었는지 확인하십시오.** 삽입공구가 걸리거나 전동공구에 대한 통제가 어려워질 수 있습니다.
- ▶ **전동 공구를 양손으로 꼭 잡고 안전한 자세로 작업하십시오.** 전동공구를 양손으로 잡고 움직이면 더 안전합니다.

제품 및 성능 설명



모든 안전 수칙과 지침을 숙지하십시오. 다음의 안전 수칙과 지침을 준수하지 않으면 화재 위험이 있으며 감전 혹은 중상을 입을 수 있습니다.

사용 설명서 앞 부분에 제시된 그림을 확인하십시오.

규정에 따른 사용

본 전동공구는 목재를 작업대에 단단하게 고정시킨 상태에서 가로 방향 및 세로 방향으로 직선 절단 및 비스듬하게 절단하기 위한 용도로 사용됩니다. 철금속 작업에는 허용되지 않습니다.

제품의 주요 명칭

제품의 주요 명칭에 표기되어 있는 번호는 기기 그림이 나와있는 면을 참고하십시오.

- (1) 안전반
- (2) 전원스위치 잠금 버튼
(3 601 EA2 0K./3 601 EA2 0L./3 601 EA2 0F.)
- (2) 전원스위치 시동 안전 잠금장치
(3 601 EA2 08./3 601 EA2 0B./3 601 EA2 04./3 601 EA2 00./3 601 EA2 07.)
- (3) 전원스위치
- (4) 보조 손잡이
- (5) 스펀들 잠금 버튼
- (6) 마이터 각도용 눈금
- (7) 절단 각도 설정용 날개 나사
- (8) 평행 조절자용 날개 나사
- (9) 절단 표시 45°
- (10) 절단 표시 0°
- (11) 평행 조절자
- (12) 하부 안전반
- (13) 하부 안전반용 조절 레버
- (14) 베이스 플레이트
- (15) 절단 각도 설정용 날개 나사
- (16) 톱날 배출구
- (17) 육각키
- (18) 클램핑 볼트(와셔 포함)
- (19) 고정 플랜지
- (20) 톱날^{A)}
- (21) 수송 플랜지
- (22) 톱 스펀들
- (23) 흡입 어댑터용 고정 나사^{A)}
- (24) 흡입 어댑터^{A)}
- (25) 절단 깊이 설정용 고정 레버
- (26) 절단 깊이 눈금자
- (27) 나사식 고정장치^{A)}
- (28) 손잡이(절연된 손잡이 부위)

A) 도면이나 설명서에 나와있는 액세서리는 표준 공급부품에 속하지 않습니다. 전체 액세서리는 저희 액세서리 프로그램을 참고하십시오.

제품 사양

원형 톱		GKS 235 Turbo	GKS 235 Turbo	GKS 9
제품 번호		3 601 EA2 0..	3 601 EA2 0B.	3 601 EA2 00. 3 601 EA2 07.
소비 전력	W	2050	2050	2050
무부하 속도	min ⁻¹	5300	5300	5300
부하 시 최대 속도	min ⁻¹	3500	3500	3500
최대 절단 깊이				
- 마이터각 0°일 때	mm	85	85	85
- 마이터각 45°일 때	mm	65	65	65
스핀들 잠금장치		●	●	●
베이스 플레이트 치수	mm	383 x 170	383 x 170	383 x 170
최대 톱날 직경	mm	235	235	235
최소 톱날 직경	mm	230	230	230
최대 두께	mm	2.2	2.2	2.2
최대 톱니 두께/톱니 세팅	mm	3.2	3.2	3.2
최소 톱니 두께/톱니 세팅	mm	2.0	2.0	2.0
중심축 직경	mm	25	25.4	30
EPTA-Procedure 01:2014에 따른 중량	kg	7,6	7,6	7,6
보호 등급		□/II	□/II	□/II

시동 전류 제한장치가 없는 전동공구의 경우에만 적용: 돌입 전류는 단시간 전압 강하를 유발합니다. 전원 공급 조건이 좋지 않은 경우 다른 기기에 영향을 미칠 수 있습니다. 전원 공급 시스템 임피던스가 0.14 Ohm 이하인 경우 아무런 이상이 없습니다.

자료는 정격 전압 [U] 230 V를 기준으로 한 것입니다. 전압이 다른 경우 및 국가별 사양에 따라 변동이 있을 수 있습니다.

소음/진동 정보

EN 62841-2-5 표준에 따라 산출된 소음 배출량.

전동공구의 A급 소음레벨은 일반적으로 다음과 같습니다: 소음 수준 **92 dB(A)**; 소음 출력 수준 **103 dB(A)**.
오차 $K = 3 \text{ dB}$.

귀마개를 착용하십시오!

충진동값 a_h (3방향의 벡터합)과 오차 K 는

EN 62841-2-5에 따라 산출됩니다:

목재 톱 작업: $a_h = 3.3 \text{ m/s}^2$, $K = 1.5 \text{ m/s}^2$

지침서에 제시된 진동 레벨 및 소음 배출량은 유럽 표준 EN 62841에서 지정한 절차에 따라 측정되었으며, 전동공구를 서로 비교할 때 활용할 수 있습니다. 진동 레벨 및 소음 배출량을 임의로 평가할 때도 사용할 수 있습니다.

제시된 진동레벨 및 소음 배출량은 전동공구의 주된 용도를 나타냅니다. 전동공구를 다른 용도에 사용하거나 다른 공구 비트를 사용한 경우, 혹은 점검이 제대로 이뤄지지 않은 경우, 진동 레벨 및 소음 배출량에 차이가 발생할 수 있습니다. 이로 인해 전 작업 시간에 걸친 진동 레벨 및 소음 배출량이 현저히 증가할 수 있습니다.

진동 레벨 및 소음 배출량을 정확하게 평가하기 위해서는 장치가 꺼져 있거나, 혹은 켜져 있더라도 실제로 작동하지 않은 시간을 고려해야 합니다. 이로 인해 전 작업 시간에 걸친 진동 레벨 및 소음 배출량이 현저히 감소될 수 있습니다.

진동 작용으로부터 작업자를 안전하게 보호하기 위해 추가적으로 다음과 같은 안전 조치가 필요합니다: 전동공구 및 공구 비트 점검, 손의 온도 유지, 작업순서 점검.

조립

- ▶ 톱날에 허용되는 속도가 전동공구의 최고 무부하 속도보다 높은 톱날만 사용해야 합니다.

원형 톱날 장착하기/교환하기

- ▶ 전동공구를 보수 정비하기 전에 반드시 콘센트에서 전원 플러그를 빼십시오.
- ▶ 톱날을 조립할 때 보호 장갑을 착용하십시오. 톱날에 닿게 되면 상해를 입을 수 있습니다.
- ▶ 이 사용 설명서 및 전동공구에 나와있는 특성 자료에 부합하는 톱날만 사용하십시오.
- ▶ 비트에 허용되는 회전속도는 전동공구에 나와있는 최고 회전속도보다 낮아야 합니다. 허용치 이상으로 빨리 회전하는 액세서리는 깨지거나 날아갈 수 있습니다.
- ▶ 필대로 연마석을 톱날로 사용해서는 안 됩니다.

톱날 선택하기

추천하는 톱날 목록은 본 설명서의 마지막 부분에 나와 있습니다.

톱날 분리하기(그림 A 참고)

공구를 교환할 때 전동공구를 모터 하우징의 앞쪽으로 놓는 것이 제일 좋습니다.

- 스피들 잠금 버튼 (5)을 누른 후 누른 상태를 유지하십시오.

▶ 스피들 잠금 버튼 (5)은 톱 스피들이 완전히 정지된 상태에서만 누르십시오. 그렇게 하지 않으면 전동공구가 손상될 수 있습니다.

- 육각키 (17)를 이용하여 클램핑 볼트 (18)을 ① 방향으로 돌려 푸십시오.
- 하부 안전반 (12)의 방향을 되돌린 후 안전반을 꼭 잡으십시오.
- 고정 플랜지 (19) 및 톱날 (20)을 톱 스피들 (22)에서 빼내십시오.

톱날 조립하기(그림 A 참고)

공구를 교환할 때 전동공구를 모터 하우징의 앞쪽으로 놓는 것이 제일 좋습니다.

- 톱날 (20) 및 조립할 부품을 모두 깨끗이 닦습니다.
- 하부 안전반 (12)의 방향을 되돌린 후 안전반을 꼭 잡으십시오.
- 톱날 (20)을 수용 플랜지 (21)에 올려 놓으십시오. 톱날의 절단 방향(톱날에 적힌 화살표 방향) 및 보호 커버 (1)에 제시된 회전 화살표가 일치해야 합니다.
- 고정 플랜지 (19)를 올려 놓고 볼트 (18)를 ② 방향으로 돌려 체결하십시오. 수용 플랜지 (21) 및 고정 플랜지 (19)의 설치 위치가 올바르게 확인하십시오.
- 스피들 잠금 버튼 (5)을 누른 후 누른 상태를 유지하십시오.
- 육각키 (17)를 이용하여 클램핑 볼트 (18)를 ② 방향으로 조이십시오. 조임 토크는 10-12 Nm이어야 하며, 이는 손으로 ¼ 만큼 회전시킨 것과 같습니다.

분진 및 톱밥 추출장치

납 성분을 포함한 페인트나 몇몇 나무 종류, 또는 광물 성분 그리고 철과 같은 재료의 분진은 건강을 해칠 수 있습니다. 이 분진을 만지거나 호흡할 경우, 사용자나 주변 사람들이 알레르기 반응이나 호흡기 장애를 일으킬 수 있습니다.

떡갈나무나 너도밤나무와 같은 특정한 분진은 암을 유발시키며, 특히 목재 처리용으로 사용되는 부가 원료 (크로마트, 목재 보호제)와 혼합되면 암을 유발시키게 됩니다. 석면 성분을 포함한 재료는 전문가만 작업할 수 있습니다.

- 가능하면 작업물 소재에 적당한 분진 추출장치를 사용하십시오.
- 작업장의 통풍이 잘 되도록 하십시오.
- 필터등급 P2가 장착된 호흡 마스크를 사용하십시오.

작업용 재료에 관해 국가가 지정한 규정을 고려하십시오.

- ▶ **작업장에 분진이 쌓이지 않도록 하십시오.** 분진이 쉽게 발화할 수 있습니다.

흡입 어댑터 조립하기(그림 B 참조)

흡입 어댑터 (24) 가 맞물려 고정될 때까지 톱밥 배출구 (16) 에 끼우십시오. 추가로 나사 (23) 를 이용해 흡입 어댑터 (24) 를 고정시키십시오.

흡입 어댑터 (24) 에 직경 35 mm의 흡입 호스를 연결할 수 있습니다.

- ▶ **흡입 어댑터는 외부 집진기를 사용하지 않을 경우 조립할 수 없습니다.** 흡입관이 막힐 위험이 있기 때문입니다.

- ▶ **흡입 어댑터에 집진포를 연결할 수 없습니다.** 흡입 시스템이 막힐 위험이 있기 때문입니다.

완벽한 집진 효과를 보장하려면 주기적으로 흡입 어댑터 (24) 를 청소해야 합니다.

외부 분진 처리

전동공구는 리모컨이 있는 보쉬 다용도 청소기 소켓에 바로 연결할 수 있습니다. 이 경우 전동공구의 스위치를 켜면 자동으로 작동이 됩니다.

진공 청소기는 작업하는 소재에 적당한 것이어야 합니다.

특히 건강에 유해한 발암성 혹은 건조한 분진을 처리해야 할 경우에는 특수한 청소기를 사용해야 합니다. 독일에서는 톱밥 흡입용으로 TRGS 553 인증을 거친 청소기가 요구되며, 사업장에서 가정용 청소기를 사용할 수 없습니다. 다른 소재의 경우 사업장 소유주는 담당 산재 보험 조합과 함께 특수한 요건에 대해 협의해야 합니다.

작동

작동 모드

- ▶ **전동공구를 보수 정비하기 전에 반드시 콘센트에서 전원 플러그를 빼십시오.**

절단 길이 조절하기(그림 C 참조)

- ▶ **작업물의 두께에 맞춰 절단 깊이를 조절하십시오.** 작업물 아래로 톱날의 톱니가 한 개 이상 보이면 안 됩니다.

클램핑 레버 (25) 를 푸십시오. 절단 깊이가 얇은 경우에는 밀판 (14) 에서 톱을 당겨 빼내고, 절단 깊이가 깊은 경우 톱을 밀판 (14) 쪽으로 누르십시오. 원하는 수치를 절단 깊이 눈금자로 맞춥니다. 클램핑 레버 (25) 를 다시 조이십시오.

클램핑 레버 (25) 의 고정력을 다시 조정할 수 있습니다. 이를 위해 클램핑 레버 (25) 의 체결을 풀고 최소 30° 이상 시계 반대 방향으로 옮겨 다시 조이십시오.

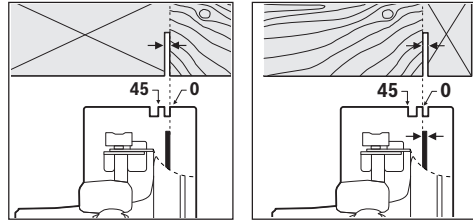
마이터 각도 설정하기

전동공구는 안전반 (1) 의 앞쪽으로 놓는 것이 가장 좋습니다.

날개 나사 (7) 및 (15) 를 푸십시오. 톱을 옆쪽으로 움직입니다. 원하는 수치를 눈금자 (6) 로 맞춥니다. 나사 (7) 및 (15) 를 다시 체결하십시오.

지침: 마이터 절단 작업을 할 경우 절단 깊이는 절단 깊이 눈금자 (26) 에 나와있는 수치보다 적습니다.

절단 표시



절단 표시 0° (10) 는 직각으로 절단할 때의 톱날 위치를 나타냅니다. 절단 표시 45° (9) 는 45°로 절단할 때의 톱날 위치를 나타냅니다.

정확한 절단을 하려면 원형 톱을 그림에 나와있는 것처럼 작업물에 올려보십시오. 제일 좋은 방법은 우선 시험 절단을 해 보십시오.

기계 시동

- ▶ **전원의 전압에 유의하십시오! 공급되는 전원의 전압은 전동공구의 명판에 표기된 전압과 동일해야 합니다.** 230 V 로 표시된 전동공구는 220 V에서도 작동이 가능합니다.

전원 스위치 작동

- ▶ **손잡이에서 손을 떼지 않고 전원 스위치를 작동할 수 있는지 확인하십시오.**

3 601 EA2 0K./3 601 EA2 0L./3 601 EA2 0F.:

전동공구를 작동하려면 전원 스위치 (3) 를 누르고 누른 상태를 유지하십시오.

놀린 상태의 전원 스위치 (3) 를 잠금 상태로 유지하려면 잠금 버튼 (2) 을 누릅니다.

전동공구의 스위치를 끄려면 전원 스위치 (3) 에서 손을 떼거나 잠금 버튼 (2) 을 눌러 잠금 상태인 경우에는 전원 스위치 (3) 를 잠깐 눌렀다가 다시 놓습니다.

3 601 EA2 08./3 601 EA2 0B./3 601 EA2 04./

3 601 EA2 00./3 601 EA2 07.:

전동공구를 작동하려면 먼저 시동 안전 잠금장치 (2) 를 누른 다음 전원 스위치 (3) 를 누른 후 누른 상태를 계속 유지하십시오.

전동공구의 스위치를 끄려면 전원 스위치 (3) 에서 손을 떼면 됩니다.

지침: 작업 안전상의 이유로 전원 스위치 (3) 를 고정할 수 없으므로, 작동 중에 이를 계속 누르고 있어야 합니다.

사용 방법

톱날에 충격을 주지 않도록 하십시오.

전동공구를 일정하게 가볍게 누르면서 절단 방향으로 움직입니다. 무리하게 밀면서 작업하면 날의 수명이 훨씬 짧아지며 전동공구를 손상시킬 수 있습니다.

톱의 성능과 절단작업의 성공 여부는 대부분 톱날 상태와 톱니 형태에 따라 좌우됩니다. 그러므로 반드시 날카롭고 작업하려는 소재에 적당한 톱날만을 사용해야 합니다.

목재에 톱질작업하기

톱날의 올바른 선택은 목재의 종류와 품질 그리고 세로 혹은 가로 절단을 하느냐에 따라 달라집니다.

가문비나무에 세로 절단을 할 경우 긴 나선형의 톱날이 생깁니다.

너도밤나무 및 물푸레나무 분진은 특히 건강에 유해하므로, 항상 집진기를 함께 사용하십시오.

평행 조절자를 이용한 톱 작업(그림 D 참조)

평행 조절자 (11) 를 통해 부재 모서리를 따라 정확한 절단이 실현되거나 규격이 동일한 각재 절단이 가능합니다.

날개 나사 (8) 를 풀고 밀판 (14) 의 가이드를 관통시켜 평행 조절자 (11) 의 눈금자를 미십시오. 원하는 절단 폭을 해당 절단 표시 (10) 또는 (9) 에 있는 눈금값으로 설정하십시오("절단 표시" 단락 참조). 나사 (8) 를 다시 체결하십시오.

보조 스톱퍼를 이용한 톱 작업(그림 E 참조)

크기가 큰 작업물을 절단하거나 직선의 모서리를 자를 경우, 판자나 길쭉한 나무 조각을 보조 가이드로 작업물에 고정한다음에 밀판이 있는 원형 톱을 보조 가이드를 따라 움직이면 됩니다.

보수 정비 및 서비스**보수 정비 및 유지**

- ▶ **전동공구를 보수 정비하기 전에 반드시 콘센트에 서 전원 플러그를 빼십시오.**
- ▶ **안전하고 올바른 작동을 위하여 전동공구와 전동공구의 통풍구를 항상 깨끗이 하십시오.**

연결 코드를 교환해야 할 경우 안전을 기하기 위해 보쉬사나 보쉬 지정 전동공구 서비스 센터에 맡겨야 합니다.

하부 안전반은 항상 자유롭게 움직이고 저절로 닫힐 수 있어야 합니다. 그렇기 때문에 하부 안전반 주위를 항상 깨끗이 해야 합니다. 브러시를 사용하여 분진과 톱밥을 제거하십시오.

코팅되지 않은 톱날은 얇은 중성 오일 층을 통해 부식을 방지합니다. 목재가 더러워질 수 있으므로, 톱질을 시작하기 전에 오일을 다시 제거하십시오.

톱날에 수지나 접착제 찌꺼기가 남아 있으면 제대로 절단이 안 됩니다. 그러므로 톱날을 사용한 후 바로 깨끗이 닦으십시오.

AS 센터 및 사용 문의

AS 센터에서는 귀하 제품의 수리 및 보수정비, 그리고 부품에 관한 문의를 받고 있습니다. 대체 부품에 관한 분해 조립도 및 정보는 인터넷에서도 찾아 볼 수 있습니다 - www.bosch-pt.com

보쉬 사용 문의 팀에서는 보쉬의 제품 및 해당 액세서리에 관한 질문에 기꺼이 답변드릴 것입니다. 전문 작업자 및 개인 작업자를 위한 인터넷 포털 www.powertool-portal.de도 참조할 수 있습니다.

문의나 대체 부품 주문 시에는 반드시 제품 네임 플레이트에 있는 10자리의 부품번호를 알려 주십시오.

콜센터
080-955-0909

처리

기기와 액세서리 및 포장 등은 환경 친화적인 방법으로 재생할 수 있도록 분류하십시오.



전동공구를 가정용 쓰레기로 처리하지 마십시오!

오직 EU 국가에만 해당:

전기장치 및 전자장치 노후기기에 관한 유럽 가이드라인 2012/19/EU 및 국가별 해당 법에 따라 더 이상 사용 불가능한 진공청소기는 별도로 수거하여 환경보호 규정에 따라 재활용해야 합니다.

ไทย**คำเตือนเพื่อความปลอดภัย****คำเตือนเพื่อความปลอดภัยทั่วไปสำหรับเครื่องมือไฟฟ้า****⚠ คำเตือน อ่านคำเตือนเพื่อความปลอดภัย คำแนะนำ ภาพประกอบ และข้อมูล**

จำเพาะทั้งหมดที่จัดส่งมาพร้อมกับเครื่องมือไฟฟ้า การไม่ปฏิบัติตามคำแนะนำทั้งหมดที่ระบุไว้ด้านล่างนี้อาจทำให้ถูกไฟฟ้าดูด เกิดไฟไหม้ และ/หรือได้รับบาดเจ็บอย่างร้ายแรง

เก็บรักษาคำเตือนและคำสั่งทั้งหมดสำหรับเปิดอ่านในภายหลัง

คำว่า "เครื่องมือไฟฟ้า" ในคำเตือนหมายถึง เครื่องมือไฟฟ้าของท่านที่ทำงานด้วยพลังงานไฟฟ้าจากแหล่งจ่ายไฟหลัก (มีสายไฟฟ้า) และเครื่องมือไฟฟ้าที่ทำงานด้วยพลังงานไฟฟ้าจากแบตเตอรี่ (ไร้สาย)

ความปลอดภัยในสถานที่ทำงาน

- ▶ **รักษาสถานที่ทำงานให้สะอาดและมีไฟส่องสว่างดี** สถานที่ที่มีมืดหรือกรงรังนำมาซึ่งอุบัติเหตุ
- ▶ **อย่าใช้เครื่องมือไฟฟ้าทำงานในสภาพบรรยากาศที่จุดติดไฟได้ เช่น ในที่มีของเหลวไวไฟ ก๊าซ หรือฝุ่น** เมื่อใช้เครื่องมือไฟฟ้าจะเกิดประกายไฟซึ่งอาจจุดฝุ่นหรือไอให้ลุกเป็นไฟได้
- ▶ **ขณะใช้เครื่องมือไฟฟ้าทำงาน ต้องกันเด็กและผู้ยี่นดูให้** ออกห่าง การหันเหความสนใจอาจทำให้ท่านขาดการควบคุมเครื่องมือ

ความปลอดภัยเกี่ยวกับไฟฟ้า

- ▶ **ปลั๊กของเครื่องมือไฟฟ้าต้องเหมาะสมพอดีกับเต้าเสียบ** อย่าตัดแปลงปลั๊กไม่ว่าในลักษณะใดๆ อย่างเด็ดขาด
- ▶ **อย่าใช้ปลั๊กพ่วงต่อใดๆ กับเครื่องมือไฟฟ้าที่มีสายดิน** ปลั๊กที่ไม่ตัดแปลงและเต้าเสียบที่เข้ากันช่วยลดความเสี่ยงจากการถูกไฟฟ้าดูด

- ▶ หลีกเลี่ยงอย่าให้ร่างกายสัมผัสกับพื้นผิวที่ต่อสายดินหรือลงกราวด์ไว้ เช่น ท่อ เครื่องทัวความร้อน เต้า และตู้เย็น จะเสี่ยงอันตรายจากการถูกไฟฟ้าดูดมากขึ้น หากกรงและไฟฟ้าวิ่งผ่านร่างกายของท่านลงดิน
- ▶ อย่าให้เครื่องมือไฟฟ้าถูกฝุ่นหรืออยู่ในสภาพเปียกชื้น หากน้ำเข้าในเครื่องมือไฟฟ้า จะเพิ่มความเสี่ยงจากการถูกไฟฟ้าดูด
- ▶ อย่าใช้สายไฟฟ้าในทางที่ผิด อย่าใช้สายไฟฟ้าเพื่อยก ดึง หรือถอดปลั๊กเครื่องมือไฟฟ้า กั้นสายไฟฟ้าออกจากความร้อน น้ำมัน ขอบแหลมคม หรือชิ้นส่วนที่เคลื่อนที่ สายไฟฟ้าที่ชำรุดหรือพันกันยุ่งเพิ่มความเสี่ยงจากการถูกไฟฟ้าดูด
- ▶ เมื่อใช้เครื่องมือไฟฟ้าทำงานกลางแจ้ง ให้ใช้สายไฟที่ต่อที่เหมาะสมสำหรับงานกลางแจ้ง การใช้สายไฟต่อที่เหมาะสมสำหรับงานกลางแจ้ง ช่วยลดอันตรายจากการถูกไฟฟ้าดูด
- ▶ หากไม่สามารถหลีกเลี่ยงการใช้เครื่องมือไฟฟ้าทำงานในสถานที่เปียกชื้นได้ ให้ใช้สวิทช์ตัดวงจรเมื่อเกิดการรั่วไหลของไฟฟ้าจากสายดิน (RCD) การใช้สวิทช์ตัดวงจรเมื่อเกิดการรั่วไหลของไฟฟ้าจากสายดินช่วยลดความเสี่ยงต่อการถูกไฟฟ้าดูด

ความปลอดภัยของบุคคล

- ▶ ท่านต้องอยู่ในสภาพเตรียมพร้อม ระวังระมัดระวังในสิ่งที่ท่านกำลังทำอยู่ และมีสติขณะใช้เครื่องมือไฟฟ้าทำงาน อย่าใช้เครื่องมือไฟฟ้าขณะที่ท่านกำลังเหนื่อย หรืออยู่ภายใต้การครอบงำของฤทธิ์ของยาเสพติด แอลกอฮอล์ และยา เมื่อใช้เครื่องมือไฟฟ้าทำงานในสถานที่ที่ท่านขาดความเอาใจใส่อาจทำให้บุคคลบาดเจ็บอย่างรุนแรงได้
- ▶ ใช้อุปกรณ์ป้องกันร่างกาย สวมแว่นตาป้องกันเสมอ อุปกรณ์ป้องกัน เช่น หนวดกนกกันฝุ่น รองเทากันลื่น หมวกแข็ง หรือประภทกันเสียงดังที่ใช้ตามความเหมาะสมกับสภาพการทำงาน จะลดการบาดเจ็บทางร่างกาย
- ▶ ป้องกันการคิดเครื่องโดยไม่ตั้งใจ ตรวจสอบให้แน่ใจว่าสวิทช์อยู่ในตำแหน่งปิดก่อนเชื่อมต่อเข้ากับแหล่งจ่ายไฟ และ/หรือเบรกเกอร์ตัด ยกหรือถือเครื่องมือการถือเครื่องโดยใช้นิ้วหัวที่ลิวิตซ์ หรือเสียบปลั๊กไฟฟ้าขณะสวิทช์เปิดอยู่ อาจนำไปสู่อุบัติเหตุที่ร้ายแรงได้
- ▶ นำเครื่องมือปรับแต่งหรือประแจปากตายออกก่อนเปิดสวิทช์เครื่องมือไฟฟ้า เครื่องมือหรือประแจปากตายที่วางอยู่กับส่วนของเครื่องที่กำลังหมุนจะทำให้บุคคลบาดเจ็บได้
- ▶ อย่าเอื้อมไกลเกินไป ตั้งทำยีนที่มั่นคงและวางน้ำหนักให้สมดุลตลอดเวลา ในลักษณะที่ท่านสามารถควบคุมเครื่องมือไฟฟ้าในสถานการณ์ที่ไม่คาดคิดได้ดีกว่า
- ▶ แต่งกายอย่างเหมาะสม อย่าใส่เสื้อผ้าหลวมหรือสวมเครื่องประดับ เอาผมและเสื้อผ้าออกจากชิ้นส่วนที่เคลื่อนที่ เสื้อผ้าหลวม เครื่องประดับ และผม ยาวอาจเข้าไปติดในชิ้นส่วนที่เคลื่อนที่
- ▶ หากเครื่องมือไฟฟ้ามีข้อเชื่อมต่อกับเครื่องดูดฝุ่นหรือเครื่องเก็บผง ให้ตรวจสอบให้แน่ใจว่าได้เชื่อมต่อและใช้งานอย่างถูกต้อง การใช้อุปกรณ์ดูดฝุ่นช่วยลดอันตรายที่เกิดจากฝุ่นได้

- ▶ เมื่อใช้งานเครื่องมือบ่อยครั้งจะเกิดความคุ้นเคย อย่าให้ความคุ้นเคยทำให้ท่านเกิดความชะล่าใจและละเลยกฎเกณฑ์ด้านความปลอดภัยในการใช้งานเครื่อง การทำงานอย่างไม่มีระมัดระวังอาจทำให้เกิดการบาดเจ็บอย่างร้ายแรงภายในเสี้ยววินาที

การใช้และการดูแลรักษาเครื่องมือไฟฟ้า

- ▶ อย่างฝืนกำลังเครื่องมือไฟฟ้า ใช้เครื่องมือไฟฟ้าที่ถูกต้องตรงตามลักษณะงานของท่าน เครื่องมือไฟฟ้าที่ถูกดองจะทำงานได้ดีกว่าและปลอดภัยกว่าในระดับสมรรถภาพที่ออกแบบไว้
 - ▶ อย่าใช้เครื่องมือไฟฟ้าถ้าสวิทช์ไม่สามารถเปิดปิดได้ เครื่องมือไฟฟ้าที่ไม่สามารถควบคุมการเปิดปิดด้วยสวิทช์ใด เป็นเครื่องมือไฟฟ้าที่ไม่ปลอดภัยและต้องล้างซ่อมแซม
 - ▶ ก่อนปรับแต่งเครื่อง เปลี่ยนอุปกรณ์ประกอบ หรือเก็บเครื่องเข่าที่ ต้องถอดปลั๊กออกจากแหล่งจ่ายไฟ และ/หรือถอดเบรกเกอร์ที่คอกออกจากเครื่องมือไฟฟ้าหากถอดออกได้
 - ▶ มาตรการป้องกันเพื่อความปลอดภัยนี้ช่วยลดความเสี่ยงจากการติดเครื่องโดยไม่ตั้งใจ
 - ▶ เมื่อเลิกใช้งานเครื่องมือไฟฟ้า ให้เก็บเครื่องมือไฟฟ้าในที่ที่เด็กหยิบไม่ถึง และไมอนุญาตให้บุคคลที่ไม่คุ้นเคยกับเครื่องหรือบุคคลที่ไม่ได้อ่านคำแนะนำนำเหล่านี้ใช้เครื่องมือไฟฟ้าเป็นของตนเองอันตรายหากตกอยู่ในมือของผู้ใช้ที่ไม่ได้รับการฝึกฝน
 - ▶ บำรุงรักษาเครื่องมือไฟฟ้าและอุปกรณ์ประกอบ ตรวจสอบชิ้นส่วนที่เคลื่อนที่ว่าวางไม่ตรงแนวหรือติดขัดหรือไม่ ตรวจสอบการแตกหักของชิ้นส่วนและสภาพอื่นใดที่อาจมีผลต่อการทำงานของเครื่องมือไฟฟ้า หากชำรุดต้องส่งเครื่องมือไฟฟ้าไปซ่อมแซมก่อนใช้งาน อุบัติเหตุหลายอย่างเกิดขึ้นเนื่องจากดูแลรักษาเครื่องมือไม่ดีพอ
 - ▶ รักษาเครื่องมือตัดให้คมและสะอาด หากบำรุงรักษาเครื่องมือที่มีขอบตัดแหลมคมอย่างถูกต้องจะสามารถตัดได้ลื่นไม่ติดขัดและควบคุมได้ง่ายกว่า
 - ▶ ใช้เครื่องมือไฟฟ้า อุปกรณ์ประกอบ เครื่องมือ และอุปกรณ์อื่นๆ ตรงตามคำแนะนำนำเหล่านี้ โดยคำนึงถึงเงื่อนไขการทำงานและงานที่จะทำ การใช้เครื่องมือไฟฟ้าทำงานที่ต่างไปจากวัตถุประสงค์การใช้งานของเครื่อง อาจนำไปสู่สถานการณ์ที่เป็นอันตรายได้
 - ▶ ดูแลค้ำจับและพื้นผิวจับให้แห้ง สะอาด และปราศจากคราบน้ำมันและจาระบี ตามจับและพื้นผิวจับที่ลื่นทำให้หยิบจับได้ไม่ปลอดภัย และไม่สามารถควบคุมเครื่องมือในสถานการณ์ที่ไม่คาดคิด
- การบริการ**
- ▶ ส่งเครื่องมือไฟฟ้าของท่านเข้ารับบริการจากช่างซ่อมที่มีคุณสมบัติเหมาะสม โดยใช้อะไหล่ที่เหมือนกันเท่านั้น ในลักษณะนี้ท่านจะแน่ใจว่าเครื่องมือไฟฟ้าอยู่ในสภาพที่ปลอดภัย
- คำเตือนเพื่อความปลอดภัยสำหรับเสียงเวียนชั้นตอนการตัด**
- ▶ **!** **อันตราย:** เขามี้ออกห่างจากใบเลื่อยและบริเวณงานตัด ใช้มืออีกข้างหนึ่งของท่านจับที่ค้ำจับเพิ่มหรือ

- ที่ครอบมอเตอร์ หากมีทั้งสองถือเครื่องเลื่อยอยู่ มือจะไม่ถูกใบเลื่อยตัด
 - ▶ **อย่าเอื้อมจับด้านล่างของชิ้นงาน** กระบ้งป้องกันใบเลื่อยไม่สามารถป้องกันท่านจากใบเลื่อยได้ชิ้นงานได้
 - ▶ **ปรับความลึกการตัดให้เหมาะสมกับความหนาของชิ้นงาน** ฟันเลื่อยควรไหลยื่นออกมาทางด้านบนของชิ้นงานน้อยกว่าหนึ่งฟันเต็ม
 - ▶ **อย่าถือชิ้นงานไว้ในมือหรือจับตามใบหน้าของท่าน** ขณะที่ทำการตัดอย่างเด็ดขาด ให้ยึดชิ้นงานกับแท่นรองที่มั่นคง การรองรับชิ้นงานอย่างถูกต้องเป็นเรื่องสำคัญ ทั้งนี้เพื่อลดการสัมผัสกับร่างกาย การติดขัดของใบเลื่อย หรือการสูญเสียการควบคุม
 - ▶ **เมื่อทำงานในบริเวณที่เครื่องมือตัดอาจสัมผัสสายไฟฟ้าที่ซ่อนอยู่หรือสายไฟฟ้าของตัวเอง** ต้องจับเครื่องมือไฟฟ้าตรงพื้นผิวจับที่หุ้มฉนวน การสัมผัสกับสายที่ "มีกระแสไฟฟ้า" ไหลผ่าน จะทำให้ส่วนที่เป็นโลหะของเครื่องมือไฟฟ้าที่ไม่มีฉนวนหุ้มเกิด "มีกระแสไฟฟ้า" ด้วย และส่งผลให้ผู้ใช้เครื่องถูกไฟฟ้าดูดได้
 - ▶ **เมื่อตัดขอบ ให้ใช้ริ้วขอบ (rip fence) หรือตัวนำขอบตรงเสมอ** ในลักษณะนี้จะทำให้ตัดได้แม่นยำยิ่งขึ้น และลดโอกาสที่ใบเลื่อยจะติดขัด
 - ▶ **ใช้ใบเลื่อยที่มีขนาดและรูปทรงของรูแกน (สี่เหลี่ยมขนมเปียกปูนหรือกลม) ที่ถูกต้องเสมอ** ใบเลื่อยที่มีขนาดไม่พอดีกับตัวยึดของเครื่องเลื่อยจะวิ่งเยื้องศูนย์ ทำให้เสียการควบคุม
 - ▶ **อย่าใช้แหวนรองหรือโบลท์สำหรับใบเลื่อยที่ชำรุดหรือไม่ถูกต้องอย่างเด็ดขาด** แหวนรองหรือโบลท์สำหรับใบเลื่อยนี้ถูกออกแบบเป็นพิเศษสำหรับเครื่องเลื่อยของท่าน เพื่อการทำงานอย่างมีประสิทธิภาพและเกิดความปลอดภัยสูงสุด
- การตีกลับและคำเตือนเกี่ยวข้อง**
- การตีกลับคือปฏิกิริยาสะท้อนกลับที่เกิดขึ้นฉับพลันจากใบเลื่อยที่งอ ติดขัด หรือไม่ได้ศูนย์ ทำให้เครื่องเลื่อยที่ควบคุมไม่ได้โดยตัวออกจากชิ้นงาน และเคลื่อนเข้าหาผู้ใช้เครื่อง
 - เมื่อใบเลื่อยงอหรือติดขัดแน่นอนเนื่องจากกล่องเลื่อยบิดลง ใบเลื่อยจะถูกปลิว และแรงสะท้อนของมอเตอร์จะขับเครื่องกลับเข้าหาผู้ใช้เครื่องอย่างรวดเร็ว
 - หากใบเลื่อยเกิดบิดหรือไม่ได้ศูนย์ในร่องตัด ฟันเลื่อยที่ขอบหลังของใบเลื่อยอาจทิ่มเข้าที่ผิวหนังของมือ ทำให้ใบเลื่อยได้ออกจากกล่องเลื่อยและกระโดดกลับมายังผู้ใช้เครื่อง
- การตีกลับเป็นผลจากการใช้เครื่องมือเลื่อยผิดวัตถุประสงค์ และ/หรือมีสภาพหรือขั้นตอนการทำงานที่ไม่ถูกต้อง และสามารถหลีกเลี่ยงได้โดยเตรียมตัวป้องกันไว้ก่อนอย่างถูกต้องดังต่อไปนี้
- ▶ **ใช้มือทั้งสองจับเครื่องเลื่อยให้แน่น และตั้งท่าแขนของท่านไว้ตามแรงตีกลับ** ตั้งตำแหน่งร่างกายของท่านให้อยู่ห่างด้านข้างของใบเลื่อยด้านใดด้านหนึ่ง แต่อย่าอยู่ในแนวเดียวกับกับใบเลื่อย การตีกลับอาจทำให้เครื่องกระโดดถอยหลัง แต่ผู้ใช้เครื่องสามารถควบคุมแรงตีกลับได้ หากได้เตรียมตัวป้องกันไว้ก่อนอย่างถูกต้อง
 - ▶ **เมื่อใบเลื่อยเกิดติดขัด หรือการตัดถูกขัดจังหวะด้วยสาเหตุใดๆก็ตาม** ให้ปล่อยนิ้วจากสวิตช์ และจับเครื่องเลื่อยให้แน่นอยู่ในวัสดุจนกว่าใบเลื่อยจะหยุดสนิท อย่าพยายามเอาเครื่องเลื่อยออกจากชิ้นงานหรือดึงเครื่องเลื่อยไปข้างหลังขณะใบเลื่อยกำลังหมุนอยู่อย่างเด็ด

- ขาด มิฉะนั้นอาจเกิดการตีกลับได้ ตรวจสอบสาเหตุและดำเนินการแก้ไขเพื่อกำจัดสาเหตุการติดขัดของใบเลื่อย
- ▶ **เมื่อสตาร์ทเครื่องเลื่อยอีกครั้งในชิ้นงาน ให้ตั้งใบเลื่อยไว้ตรงกลางในกล่องเลื่อยโดยไม่ให้ฟันเลื่อยชนในวัสดุ** หากใบเลื่อยติดขัด ใบเลื่อยอาจกระโดดหรือตีกลับจากชิ้นงานเมื่อสตาร์ทเครื่องเลื่อยอีกครั้ง
- ▶ **หมุนแผ่นชิ้นงานที่มีขนาดใหญ่เพื่อลดความเสี่ยงที่ใบเลื่อยจะติดขัดและเกิดการตีกลับ** แผ่นชิ้นงานที่มีขนาดใหญ่มักจะห้อยหย่อนตามความถ่วงน้ำหนักของตัวแผ่นเอง ต้องใช้ที่รองหมุนได้แผ่นชิ้นงานทั้งสองข้าง คือไกลเสนต์ดัดและไกลขอบแผ่นชิ้นงาน
- ▶ **อย่าใช้ใบเลื่อยที่ทื่อหรือชำรุด** ใบเลื่อยที่ไม่ได้ลับคมหรือปรับตั้งไว้อย่างไม่ถูกต้องจะไหลคล่องเลื่อยที่แคบ ทำให้เกิดการเสียดสีมากเกินไป ใบเลื่อยเกิดติดขัดและตีกลับ
- ▶ **ก่อนตัด ต้องขันคัมปรับความลึกใบเลื่อยและคัมปรับความลาดเอียงของมุมตัดให้แน่น** หากการปรับใบเลื่อยเคลื่อนที่ขณะที่ทำการตัด อาจทำให้ใบเลื่อยติดขัดและตีกลับได้
- ▶ **ใช้ความระมัดระวังเป็นพิเศษเมื่อเลื่อยเข้าไปในผนังที่มีอยู่หรือบริเวณจุดบอดอื่นๆ** ใบเลื่อยที่ยื่นออกมาอาจตัดวัตถุที่อาจทำให้เกิดการตีกลับ

การทำงานของกระบ้งล่าง

- ▶ **ตรวจสอบกระบ้งล่างให้บิดอย่างถูกต้องก่อนใช้งานทุกครั้ง** อย่าใช้เครื่องเลื่อยหากกระบ้งล่างเคลื่อนไหวไปมาอย่างอิสระ ไม่ได้และไม่ปิดในทันที อย่าหนีหรือหุ้กกระบ้งล่างให้อยู่ในตำแหน่งเปิดหากเครื่องเลื่อยตกหล่นโดยบังเอิญ กระบ้งล่างอาจเด้งเปิด กระบ้งล่างด้วยคัมจับที่ซึกรันได้ และคู่มือในจาวกระบ้งล่างเคลื่อนไหวไปมาได้อย่างอิสระ และไม่แตะใบเลื่อยหรือส่วนอื่นใดในมุมตัดและความลึกการตัดทั้งหมด
- ▶ **ตรวจสอบการทำงานของสปริงของกระบ้งล่าง** หากกระบ้งและสปริงทำงานไม่ถูกต้อง ต้องนำไปซ่อมบำรุงก่อนใช้งาน กระบ้งล่างอาจทำงานเฉื่อยเนื่องจากชิ้นส่วนชำรุด ซึ่กับถูกพดมากองติดเหนียว หรือกองสะสมกัน
- ▶ **อาจใช้มีซึกรันกระบ้งล่างเฉพาะเมื่อต้องการตัดแบบพิเศษเท่านั้น เช่น "การจางตัด" และ "การตัดแบบผสม"** เปิดกระบ้งล่างด้วยคัมจับที่ซึกรันได้ และต้องปล่อยกระบ้งล่างในทันทีที่ใบเลื่อยชนเข้าในวัสดุสำหรับการเลื่อยแบบอื่นทั้งหมด กระบ้งล่างควรตรงทำงานโดยอัตโนมัติ
- ▶ **ตรวจดูให้กระบ้งล่างครอบใบเลื่อยทุกครั้งก่อนวางเครื่องเลื่อยลงบนโต๊ะทำงานหรือบนพื้นใบเลื่อยที่ไม่ถูกปกป้องและยังคงวิ่งต่อจะทำให้เครื่องเลื่อยเดินถอยหลัง ตัดสิ่งใดก็ตามที่ขวางทาง ฟุ้งค้ำนี้ถึงระยะเวลาที่ใบเลื่อยจะหยุดหลังจากปิดสวิตช์แล้ว**

คำแนะนำเพื่อความปลอดภัยเพิ่มเติม

- ▶ **อย่ายื่นมือเข้าไปในช่องฟันซี่กับออก** ท่านอาจได้รับบาดเจ็บจากชิ้นส่วนที่หมุนอยู่
- ▶ **อย่าใช้เครื่องเลื่อยทำงานเหนือศีรษะ** ในลักษณะนี้ท่านจะไม่สามารถควบคุมเครื่องมือไฟฟ้าได้อย่างเพียงพอ
- ▶ **ใช้เครื่องตรวจจับที่เหมาะสมเพื่อตรวจหาสายไฟฟ้าหรือท่อสารเคมีใดๆก็ตามที่อาจซ่อนอยู่ในบริเวณทำงานหรือติดกับวัสดุหรือสารเคมีใดๆก็ตามในพื้นที่เพื่อขอความช่วยเหลือ** การสัมผัสกับสายไฟฟ้าอาจทำให้เกิดไฟ

- ใหม่หรือถูกไฟฟาด การทำให้ท่อแก๊สเสียหายอาจทำให้เกิดระเบิด การเจาะเขาในท่อทำให้ทรัพย์สินเสียหาย หรืออาจเป็นเหตุให้ถูกไฟฟาดได้
- ▶ **อย่าใช้เครื่องมือไฟฟ้าโดยตรง** เครื่องอยู่กับที่ เครื่องไม่ได้ออกแบบไว้สำหรับใช้กับโต๊ะเลื่อย
- ▶ **ตรวจสอบให้แน่ใจว่าเฟลตนำของเครื่องเลื่อยจะไม่เคลื่อนไปด้านหลังในขณะที่ทำ "การจางตัด" ที่ไม่ได้ทำในเชิงตั้งฉาก** การเคลื่อนไปด้านหลังอาจทำให้ใบเลื่อยติดขัดและเกิดการตีกลับได้
- ▶ **อย่าใช้ใบเลื่อยที่ทำจากเหล็กกล้ารอบสูง (High Speed Steel, HSS)** ใบเลื่อยนี้แตกง่าย
- ▶ **อย่าเลื่อยโลหะจำพวกเหล็ก** เศษขี้เลื่อยร้อนสีแดงสามารถจุดระเบิดฝุ่นในลูกใหม่ได้
- ▶ **รอให้เครื่องมือไฟฟ้าหยุดสนิทก่อนวางเครื่องลงบนพื้น** เครื่องมือที่ปล่อยอาจติดขัดและทำให้สูญเสียการควบคุมเครื่องมือไฟฟ้า
- ▶ **จับเครื่องมือไฟฟ้าให้แน่นด้วยมือทั้งสองข้างและตั้งท่ายืนให้มั่นคงขณะทำงาน** ท่านจะสามารถนำทางเครื่องมือไฟฟ้าได้ปลอดภัยกว่าเมื่อจับเครื่องด้วยมือทั้งสองข้าง

- (2) ปุ่มลอคให้สวิตช์เปิด-ปิดทำงาน (3 601 EA2 0K./3 601 EA2 0L./3 601 EA2 0F.)
- (2) ปุ่มลอคไม่ให้สวิตช์เปิด-ปิดทำงาน (3 601 EA2 08./3 601 EA2 0B./3 601 EA2 04./3 601 EA2 00./3 601 EA2 07.)
- (3) สวิตช์เปิด-ปิด
- (4) ด้ามจับเพิ่ม
- (5) ปุ่มลอคแกน
- (6) มาตราส่วนมุมเอียง
- (7) น็อตปิ๊กสำหรับการเลือกมุมเอียงล่วงหน้า
- (8) น็อตปิ๊กสำหรับแผงกำหนดแนวขนาน
- (9) เครื่องหมายตัด 45°
- (10) เครื่องหมายตัด 0°
- (11) แผงกำหนดแนวขนาน
- (12) กระบังป้องกันใบเลื่อยชนิดชักรันได้
- (13) คันจับสำหรับกระบังป้องกันใบเลื่อยชนิดชักรันได้
- (14) แผ่นฐาน
- (15) น็อตปิ๊กสำหรับการเลือกมุมเอียงล่วงหน้า
- (16) ช่องพนช็อบออก
- (17) ประแจขันหกเหลี่ยม
- (18) โบลท์ยึดพร้อมแหวนรอง
- (19) น็อตยึด
- (20) ใบเลื่อย^{A)}
- (21) น็อตรอง
- (22) แกนเครื่อง
- (23) สกรูยึดสำหรับข้อต่อท่อดูดออก^{A)}
- (24) ข้อต่อท่อดูดออก^{A)}
- (25) คันหนีบสำหรับเลือกความลึกการตัดล่วงหน้า
- (26) มาตราส่วนความลึกการตัด
- (27) ชุดแคลมป์ยึดวัสดุ^{A)}
- (28) ด้ามจับ (พื้นผิวจับหุ้มฉนวน)
- A) อุปกรณ์ประกอบที่แสดงภาพหรืออธิบายไม่รวมอยู่ในการจัดส่งมาตรฐาน

รายละเอียดผลิตภัณฑ์และข้อมูลจำเพาะ



อ่านค่าเตือนเพื่อความปลอดภัยและคำแนะนำทั้งหมด การไม่ปฏิบัติตามค่าเตือนและคำสั่งอาจเป็นสาเหตุให้ถูกไฟฟาด เกิดไฟไหม้และ/หรือได้รับบาดเจ็บอย่างร้ายแรง

กรุณาดูภาพประกอบในส่วนหน้าของคู่มือการใช้งาน

ประโยชน์การใช้งานของเครื่อง

เครื่องมือไฟฟ้านี้ใช้สำหรับตัดไม้ตามยาวและตามขวางโดยตัดเป็นเส้นตรง รวมทั้งตัดเป็นมุมเอียงโดยขณะวางอย่างมั่นคงบนชิ้นงาน ห้ามใช้เลื่อยโลหะกลุ่มเหล็ก

ส่วนประกอบที่แสดงภาพ

ลำดับเลขของส่วนประกอบผลิตภัณฑ์อ้างอิงถึงส่วนประกอบของเครื่องที่แสดงในหน้าภาพประกอบ

- (1) กระบังป้องกันใบเลื่อย

ข้อมูลทางเทคนิค

เลื่อยวงเดือน		GKS 235 Turbo	GKS 235 Turbo	GKS 9
หมายเลขสินค้า		3 601 EA2 0..	3 601 EA2 0B.	3 601 EA2 00. 3 601 EA2 07.
กำลังไฟฟ้าฟัดด้านเข้า	วัตต์	2050	2050	2050
ความเร็วรอบเดินตัวเปล่า	รอบ/นาที	5300	5300	5300
ความเร็วรอบขณะใช้งาน สูงสุด	รอบ/นาที	3500	3500	3500
ความลึกการตัด สูงสุด				
- สำหรับมุมเอียง 0°	มม.	85	85	85
- สำหรับมุมเอียง 45°	มม.	65	65	65
ลอคแกน		●	●	●
ขนาดแผ่นฐาน	มม.	383 x 170	383 x 170	383 x 170

ตัวอย่างเดือน		GKS 235 Turbo	GKS 235 Turbo	GKS 9
เส้นผ่าศูนย์กลางใบเลื่อย สูงสุด	มม.	235	235	235
เส้นผ่าศูนย์กลางใบเลื่อย ต่ำสุด	มม.	230	230	230
ความหนาใบเลื่อย สูงสุด	มม.	2.2	2.2	2.2
ความหนาฟันเลื่อย/ตรงที่แต่งฟันเลื่อย สูงสุด	มม.	3.2	3.2	3.2
ความหนาฟันเลื่อย/ตรงที่แต่งฟันเลื่อย น้อยสุด	มม.	2.0	2.0	2.0
รูปประกอบ	มม.	25	25.4	30
น้ำหนักตามระเบียบการ EPTA-Procedure 01:2014	กก.	7.6	7.6	7.6
ระดับความปลอดภัย		□/	□/	□/

เฉพาะสำหรับเครื่องมือไฟฟ้าที่ไม่มีกรงจำกัดกระแสไฟฟ้าเมื่อสาร์ทเครื่อง: กระบวนการเปิดเครื่องจะทำให้แรงดันไฟฟ้าตกลงชั่วขณะ ในกรณีที่สภาวะการจ่ายไฟฟ้าไม่เอื้ออำนวย อาจเกิดคลื่นรบกวนอุปกรณ์/เครื่องอื่นๆ ได้ หากความต้านทานของระบบต่ำกว่า 0.14 โอห์ม คาดว่าจะไม่เกิดความผิดปกติ

ค่าที่เห็นใช้ได้นับแรงดันไฟฟ้าอิมมอล [U] 230 โวลต์ค่าเหล่านี้อาจเปลี่ยนแปลงไปสำหรับแรงดันไฟฟ้าที่แตกต่างกันและโมเดลที่ผลิตสำหรับเฉพาะประเทศ

ข้อมูลเกี่ยวกับเสียงและการสั่นตัว

ค่าการปล่อยเสียงกำหนดตาม EN 62841-2-5.

ตามปกติระดับเสียงแบบถ่วงน้ำหนัก-A ของเครื่องมือไฟฟ้าคือ: ระดับความดันเสียง 92 เดซิเบล (A); ระดับกำลังเสียง 103 เดซิเบล (A) ความคลาดเคลื่อน K = 3 เดซิเบล

สวมอุปกรณ์ป้องกันเสียงดัง!

ค่าความสั่นสะเทือนรวม a_{hv} (ผลรวมเชิงเวกเตอร์ของสามทิศทาง) และความคลาดเคลื่อน K กำหนดตาม EN 62841-2-5:

การสั่นสะเทือน: $a_{hv} = 3.3 \text{ m/s}^2$, $K = 1.5 \text{ m/s}^2$

ระดับการสั่นสะเทือนและค่าการปล่อยเสียงที่ใหไว้ในเอกสารขอมูลนี้ได้รับการตรวจวัดตามมาตรฐานการทดสอบที่กำหนดใน EN 62841 และสามารถนำไปใช้สำหรับเปรียบเทียบเครื่องมือไฟฟ้าหนึ่งกับเครื่องมืออื่น ๆ ได้ค่านี้อาจใช้สำหรับประเมินการปล่อยแรงสั่นสะเทือนและการปล่อยเสียงเบื้องต้นได้อีกด้วย ระดับการสั่นสะเทือนและค่าการปล่อยเสียงที่ใหไว้นี้แสดงการใช้งานส่วนใหญ่ของเครื่องมือไฟฟ้าอย่างไรก็ตาม หากเครื่องมือไฟฟ้าถูกใช้เพื่อทำงานประเภทอื่น ไซรรมกับอุปกรณ์ประกอบที่ติดตั้งไป หรือได้รับการบำรุงรักษาไม่ดีพอ ระดับการสั่นสะเทือนและค่าการปล่อยเสียงอาจแตกต่างกันไปจากค่าที่ใหไว้ปัจจุบันเหล่านี้อาจส่งผลให้ระดับการสั่นสะเทือนและระดับเสียงเพิ่มขึ้นอย่างชัดเจนตลอดระยะเวลาการทำงานทั้งหมด

สำหรับการประเมินการปล่อยแรงสั่นสะเทือนและการปล่อยเสียงอย่างถูกต้อง ควรนำเวลาขณะใช้เครื่องมือไฟฟ้าปิดสวิทช์หรือขณะที่เครื่องกำลังวิ่งแต่ไม่ได้ทำงานจริงมาพิจารณาด้วย ปัจจุบันเหล่านี้อาจส่งผลให้ระดับการสั่นสะเทือนและระดับเสียงลดลงอย่างชัดเจนตลอดระยะเวลาการทำงานทั้งหมด กำหนดมาตรการเพื่อความปลอดภัยเพิ่มเติมเพื่อป้องกันผู้ใช้งานจากผลกระทบจากการสั่นสะเทือน ต. ย. เช่น: บำรุงรักษาเครื่องมือไฟฟ้าและอุปกรณ์ประกอบ ทำมือให้อุ่นไว จัดลำดับกระบวนการทำงาน

การติดตั้ง

- ▶ ใช้เฉพาะใบเลื่อยที่มีความเร็วสูงสุดที่อนุญาตสูงกว่าความเร็วรอบตัวเปล่าของเครื่องมือไฟฟ้า

การใส่/การเปลี่ยนใบเลื่อย

- ▶ ดึงปลั๊กไฟออกจากเต้าเสียบก่อนปรับแต่งเครื่อง
- ▶ สวมถุงมือป้องกันอันตรายเมื่อติดตั้งใบเลื่อย การสัมผัสกับใบเลื่อยจะทำให้บาดเจ็บได้
- ▶ ใช้เฉพาะใบเลื่อยที่ตรงตามข้อกำหนดที่ระบุไว้ในคู่มือการใช้งานนี้และบนเครื่องมือไฟฟ้าเท่านั้น
- ▶ ความเร็วรอบที่อนุญาตของเครื่องมืออย่างน้อยที่สุดต้องสูงเท่ากับความเร็วรอบสูงสุดที่ระบุไว้บนเครื่องมือไฟฟ้า อุปกรณ์ประกอบที่หมุนเร็วกว่าความเร็วรอบกำหนดของตัวเองอาจกระเด็นออกเป็นชิ้นๆ
- ▶ อย่านำงานขัดมาใช้เป็นเครื่องมืออย่างเด็ดขาด

การเลือกใบเลื่อย

กรุณาดูภาพรวมของใบเลื่อยที่แนะนำในตอนท้ายของคู่มือการใช้งาน

การถอดใบเลื่อย (ดูภาพประกอบ A)

- เมื่อต้องการเปลี่ยนเครื่องมือตัด ทางที่ดีที่สุดควรวางเครื่องโดยกลับเอาด้านหัวของที่ครอบมอเตอร์ลง
- กดปุ่มล็อกแกน (5) และกดค้างไว้
 - ▶ กดปุ่มล็อกแกน (5) เมื่อใบเลื่อยหยุดนิ่งอยู่กับที่แล้วเท่านั้น มิฉะนั้นเครื่องอาจชำรุดได้
 - ใช้ประแจขันหกเหลี่ยม (17) ขันโบลท์ยึด (18) ออกโดยหมุนไปในทิศทางหมุน ⚙
 - กระดกกระบังป้องกันใบเลื่อยชนิดซักรันด์ (12) ไปด้านหลังและจับไว้ให้แน่น
 - ถอดนอตยึด (19) และใบเลื่อย (20) ออกจากแกนเครื่อง (22)

การติดตั้งใบเลื่อย (รูปภาพประกอบ A)

- เมื่อต้องการเปลี่ยนเครื่องมือตัด ทางที่ดีที่สุดควรวางเครื่องโดยกลับเอาด้านหัวของที่ครอบมอเตอร์ลง
- ทำความสะอาดใบเลื่อย (20) และชิ้นส่วนยึดหนีบที่จะติดตั้งทั้งหมด
 - กระดกกระบังป้องกันใบเลื่อยชนิดซักรันได้ (12) ไปด้านหลังและจับไว้ให้แน่น
 - ประกอบใบเลื่อย (20) เข้ากับนอตรอง (21) ทิศทางตัดของฟัน (ทิศทางการหมุนใบเลื่อย) และทิศทางหมุนของลูกศรที่แสดงบนกระบังป้องกันใบเลื่อย (1) ต้องชี้ไปทางเดียวกัน
 - ประกอบนอตยึด (19) และชิ้นโบลท์ยึด (18) เข้าโดยหมุนไปในทิศทางหมุน ๑ ตรวจสอบให้นอตรอง (21) และนอตยึด (19) อยู่ในตำแหน่งประกอบที่ถูกต้อง
 - กดปุ่มลอคแกน (5) และกดคางไว้
 - ใช้ประแจขันทกเหลี่ยม (17) ขันโบลท์ยึด (18) ให้แน่นโดยหมุนไปในทิศทางหมุน ๑ แรงแผดการขันควรอยู่ระหว่าง 10-12 นิวตันเมตร ซึ่งมีค่าเท่ากับการหมุนด้วยมือจนตึงบวก ¼ รอบ

การดูดฝุ่น/ซีเลื้อย

- ฝุ่นที่ได้จากวัสดุ เช่น เคลือบผิวที่มีสารตะกั่ว ไม้ยางประเภทเรซาดู และโลหะ อาจเป็นอันตรายต่อสุขภาพ การสัมผัสหรือการหายใจเอาฝุ่นเข้าไปอาจทำให้เกิดปฏิกิริยาแพ้ฝุ่น และ/หรือน้ำมาซึ่งโรคติดเชื้อระบบหายใจแก่ผู้ใช้เครื่องมือหรือผู้ที่ยืนอยู่ใกล้เคียง
- ฝุ่นบางประเภท เช่น ฝุ่นไม้โอ๊ก หรือไม้บีช นับเป็นสารที่ทำให้เกิดมะเร็ง โดยเฉพาะอย่างยิ่งเมื่อผสมกับสารเติมแต่งเพื่อบำบัดไม้ (โครเมต ผลิตภัณฑ์รักษาเนื้อไม้) สำหรับวัสดุที่มีแอลเบสทดสอบใหญ่เชี่ยวชาญทำงานเท่านั้น
- ใช้ระบบดูดฝุ่นออกที่เหมาะสมกับประเภทวัสดุ มากเท่าที่จะทำได้
 - จัดสถานที่ทำงานให้มีการระบายอากาศที่ดี
 - ขอแนะนำให้สวมหน้ากากป้องกันการติดเชื้อที่มีระดับ-ไล่กรอง P2

ปฏิบัติตามกฎข้อบังคับสำคัญอื่นๆ ที่เกี่ยวข้องกับวัสดุชิ้นงานที่บังคับใช้ในประเทศของท่าน

- ▶ **ป้องกันการสะสมของฝุ่นในสถานที่ทำงาน**
ฝุ่นสามารถถูกใหม่อย่างง่ายดาย

การติดตั้งขอต้อดูดออก (รูปภาพประกอบ B)

เสียบขอต้อดูดออก (24) เข้าบนช่องพ่นซีกบออก (16) จนเข้าลอค ให้ยึดขอต้อดูดออก (24) ด้วยสกรูยึด (23) อีกที่

ท่อดูดฝุ่นขนาดเส้นผ่าศูนย์กลาง 35 มม. สามารถต่อเข้ากับขอต้อดูดออก (24)

- ▶ **อย่าติดตั้งขอต้อดูดออกหากไม่มีการต่อเข้ากับเครื่องดูดฝุ่นภายนอก** มิฉะนั้นขอต้อดูดออกอาจอุดตันได้
- ▶ **อย่าสวมถุงเก็บผงเข้ากับขอต้อดูดออก** มิฉะนั้นระบบดูดออกอาจอุดตันได้

เพื่อให้ดูดผงออกได้อย่างมีประสิทธิภาพมากที่สุด ต้องทำความสะอาดขอต้อดูดออก (24) เป็นประจำ

การดูดฝุ่นด้วยเครื่องดูดฝุ่นภายนอก

เครื่องนี้สามารถต่อโดยตรงเข้ากับเต้าเสียบของเครื่องดูดฝุ่นสารพัดประโยชน์ของ บอช ที่มีการควบคุมการสตาร์ทเครื่องทางไกล เครื่องดูดฝุ่นจะเริ่มทำงานโดยอัตโนมัติเมื่อเปิดเครื่อง

เครื่องดูดฝุ่นต้องเหมาะสำหรับใช้ดูดวัสดุที่จะทำงานในกรณีดูดฝุ่นแห้งที่เป็นอันตรายต่อสุขภาพอย่างยิ่งหรืออาจก่อให้เกิดมะเร็งได้ ให้ใช้เครื่องดูดฝุ่นพิเศษในประเทศเยอรมนี ต้องใช้อุปกรณ์ดูดฝุ่นที่ผ่านการทดสอบตามกฎระเบียบทางเทคนิคสำหรับวัตถุอันตราย TRGS 553 เพื่อดูดฝุ่นจากไม้ ต้องไม่ใช้การดูดฝุ่นในตัวในภาคธุรกิจสำหรับวัตถุอื่นๆ ผู้ประกอบการเชิงพาณิชย์ต้องชี้แจงข้อกำหนดเฉพาะกับสมาคมวิชาชีพที่รับผิดชอบ

การปฏิบัติงาน

รูปแบบการทำงาน

- ▶ **ดึงปลั๊กไฟออกจากเต้าเสียบก่อนปรับแต่งเครื่อง**

การปรับความลึกการตัด (รูปภาพประกอบ C)

- ▶ **ปรับความลึกการตัดให้เหมาะสมกับความหนาของชิ้นงาน**
พื้นเลื่อยควรไหลยื่นออกมาทางด้านล่างของชิ้นงานน้อยกว่าหนึ่งฟุตเต็ม

คลายคันหนีบ (25) ออก สำหรับความลึกการตัดน้อย ให้ดึงเครื่องเลื่อยออกจากแม่ฐาน (14) สำหรับความลึกการตัดมาก ให้ดันเครื่องเลื่อยเข้าหาแม่ฐาน (14) ปรับความลึกการตัดที่ต้องการที่มาตรารส่วนความลึกการตัด ชิ้นคันหนีบ (25) กลับเข้าที่แน่น

แรงขันตึงของคันหนีบ (25) สามารถปรับเข้าได้ เมื่อต้องการปรับเข้า ให้ขันคันหนีบ (25) ออกและขันกลับเข้าอีกครั้งโดยหมุนเอียงอย่างน้อย 30° ในทิศทางเข็มนาฬิกา

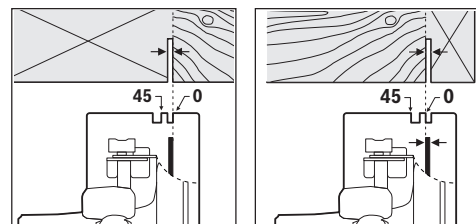
การปรับมุมตัด

ทางที่ดีที่สุดควรวางเครื่องมือไฟฟ้าโดยจับด้านหน้าของกระบังป้องกันใบเลื่อย (1) ลง

คลายนอตปีก (7) และ (15) ออกเอียงเครื่องเลื่อยไปทางด้านข้าง ปรับขนาดที่ต้องการที่มาตรารส่วน (6) ชิ้นนอตปีก (7) และ (15) กลับเข้าที่แน่น

หมายเหตุ: สำหรับการตัดมุมเอียง จะได้ความลึกการตัดน้อยกว่าค่าที่แสดงบนมาตรารส่วนความลึกการตัด (26)

เครื่องหมายตัด



เครื่องหมายตัด 0° (10) แสดงตำแหน่งของใบเลื่อยสำหรับการตัดเป็นมุมฉาก เครื่องหมายตัด 45° (9) แสดงตำแหน่งของใบเลื่อยสำหรับการตัด 45°

เพื่อให้ได้การตัดที่แม่นยำ ให้จับเลื่อยวางเดือนเข้าหาชิ้นงานดังแสดงในภาพ ทางที่ดีที่สุดควรฝึกซ้อมการตัดก่อน

การเริ่มต้นปฏิบัติงาน

- ▶ **ให้สังเกตแรงดันไฟฟ้า! แรงดันไฟฟ้าจากแหล่งจ่ายไฟฟ้าต้องมีค่าตรงกับค่าแรงดันไฟฟ้าที่ระบุไว้บนแผ่นป้ายทึดัดเครื่อง เครื่องมือ**

ไฟฟ้าที่มีเครื่องหมาย 230 โวลต์ สามารถใช้งานกับ 220 โวลต์ ได้ด้วย

การเปิด-ปิดเครื่อง

- ▶ ตรวจสอบให้แน่ใจว่าท่านสามารถใช้งานสวิตช์เปิด-ปิดได้โดยไม่ต้องปลดอยตามจับ

3 601 EA2 0K./3 601 EA2 0L./3 601 EA2 0F.:

เมื่อต้องการสแตทเครื่องมือไฟฟ้า ให้กดสวิตช์เปิด-ปิด (3) และกดค้างไว้

เมื่อต้องการล็อกล้อสวิตช์เปิด-ปิด (3) ที่กดค้างไว้ ให้กดปุ่มล๊อคให้สวิตช์เปิด-ปิดทำงาน (2)

เมื่อต้องการปิดสวิตช์เครื่องมือไฟฟ้า ให้ปล่อยนิ้วจากสวิตช์เปิด-ปิด (3) หรือในกรณีที่ถูกล็อคด้วยปุ่มล๊อค (2) ให้กดสวิตช์เปิด-ปิด (3) สั้นๆ และปล่อยนิ้ว

3 601 EA2 08./3 601 EA2 0B./3 601 EA2 04./

3 601 EA2 00./3 601 EA2 07.:

เมื่อต้องการสแตทเครื่องมือไฟฟ้า ในขั้นแรกให้กดปุ่มล๊อคไม่ให้สวิตช์เปิด-ปิดทำงาน (2) และจากนั้นจึงกดสวิตช์เปิด-ปิด (3)

ปิดสวิตช์ เครื่องมือไฟฟ้าโดยปล่อยนิ้วจากสวิตช์เปิด-ปิด (3)

หมายเหตุ: ด้วยเหตุผลด้านความปลอดภัย จึงไม่สามารถล็อกล้อสวิตช์เปิด-ปิด (3) ได้ จะต้องกดสวิตช์เปิด-ปิดตลอดเวลาปฏิบัติงาน

ข้อแนะนำในการทำงาน

ต้องป้องกันใบเลื่อยไม่ให้ถูกกระทบกระเทือน

เคลื่อนเครื่องอย่างสม่ำเสมอและอ่อนเบาๆ ไปในทิศทางตัด การเคลื่อนเครื่องไปข้างหน้าเกินกำลังจะบั่นทอนอายุการใช้งานของเครื่องมือตัดและอาจทำให้เครื่องมือไฟฟ้าชำรุดได้

ประสิทธิภาพการเลื่อยและคุณภาพการตัดขึ้นอยู่กับสภาพและลักษณะพื้นของใบเลื่อยเป็นหลัก ดังนั้นให้ใช้เฉพาะใบเลื่อยที่คมและเหมาะกับประเภทวัสดุชิ้นงานเท่านั้น

การเลื่อยไม้

หลักการเลือกใบเลื่อยที่ถูกตัดอง คือต้องเลือกตามประเภทของไม้ คุณภาพของไม้ และต้องดูว่าต้องการตัดตามยาวหรือตามขวาง เมื่อตัดไม้จำพวกสนตามแนวยาว จะได้เศษไม้ขุดเป็นวงยาว ฝุ่นไม่เือก และไม่มีข เป็นอันตรายต่อสุขภาพอย่างยิ่ง ดังนั้นเมื่อทำงานต้องจุดฝุ่นออกเสมอ

การเลื่อยโดยใช้แฉงกำหนดแนวขนาน (ดูภาพประกอบ D)

แฉงกำหนดแนวขนาน (11) ทำให้สามารถตัดเลื่อยขอบชิ้นงาน และตัดเป็นท่อนยาวในขนาดเท่าๆ กันได้อย่างเที่ยงตรง คลายน็อตปิ๊ก (8) และเลื่อนมาตราส่วนของแฉงกำหนดแนวขนาน (11) ผ่านตัวนำในแผ่นฐาน (14) ตั้งความกว้างการตัดที่ต้องการเป็นคามাত্রาส่วนไว้ที่เครื่องหมายตัด (10) หรือ (9) ที่เกี่ยวข้อง ดูบท "เครื่องหมายตัด" ขันนอตปิ๊ก (8) กลับเข้าที่เดิม

การเลื่อยโดยใช้แฉงช่วยนำทาง (ดูภาพประกอบ E)

สำหรับการตัดชิ้นงานขนาดใหญ่หรือตัดขอบตรง ให้หนีบแฉงกระดานหรือท่อนไมยยาวเข้ากับชิ้นงานเพื่อใช้เป็นแฉงช่วยนำทาง ท่านสามารถเคลื่อนแผ่นฐานของเลื่อยวงเดือนเลื่อยไปตามแฉงช่วยนำทาง

การบำรุงรักษาและการบริการ

การบำรุงรักษาและการทำความสะอาด

- ▶ ดึงปลั๊กไฟออกจากเต้าเสียบก่อนปรับแต่งเครื่อง
- ▶ เพื่อให้ทำงานได้อย่างถูกต้องและปลอดภัย ต้องรักษาเครื่องและช่องระบายอากาศให้สะอาดอยู่เสมอ

เมื่อจำเป็นต้องเปลี่ยนสายไฟฟ้า ให้ส่งเครื่องให้บริษัท บอช หรือศูนย์บริการลูกค้าสำหรับเครื่องมือไฟฟ้า บอช ที่ได้รับมอบหมายทำการเปลี่ยนไฟ เพื่อหลีกเลี่ยงอันตรายด้านความปลอดภัย

กระบังป้องกันใบเลื่อยชนิดชักกรันใต้ต้องเคลื่อนไหวไปมาได้อย่างอิสระและปิดได้โดยอัตโนมัติตลอดเวลา ดังนั้นต้องรักษาบริเวณรอบๆ กระบังป้องกันใบเลื่อยชนิดชักกรันใต้ให้สะอาดอยู่เสมอ เอาฝุ่นและเศษผงออกโดยใช้แปรงขัดใบเลื่อยที่ไม่ได้เคลือบสามารถใช้น้ำมันที่ไม่มีการทาบางอย่างเพื่อป้องกันสนิม ต้องเช็ดน้ำมันออกก่อนใช้ใบเลื่อย มิฉะนั้นน้ำมันจะเหมือนไม่ทำให้สกรปรกได้

เศษเหลือของยางไม้และกาวบนใบเลื่อยทำให้ตัดได้ไม่ดี ดังนั้นให้ทำความสะอาดใบเลื่อยทันทีหลังใช้งาน

การบริการหลังการขายและการให้คำปรึกษาการใช้งาน

ศูนย์บริการหลังการขายของเรายินดีตอบคำถามของท่านที่เกี่ยวกับการบำรุงรักษาและการซ่อมแซมผลิตภัณฑ์รวมทั้งเรื่องอะไหล่ ภาพแยกชิ้นและข้อมูลเกี่ยวกับอะไหล่ยังสามารถดูได้ใน: www.bosch-pt.com ทีมงานที่ปรึกษาของ บอช ยินดีให้ข้อมูลเกี่ยวกับผลิตภัณฑ์ของเราและอุปกรณ์ประกอบต่างๆ www.powertool-portal.de เว็บไซต์สำหรับช่างฝีมือและช่างสมัครเล่น

เมื่อต้องการสอบถามและสั่งซื้ออะไหล่ กรุณาแจ้งหมายเลขสินค้า 10 หลักบนแผนป้ายรุ่นของผลิตภัณฑ์ทุกครั้ง

ไทย

ไทย บริษัท โรเบิร์ต บอช จำกัด

เอฟวายไอ เซ็นเตอร์ อาคาร 1 ชั้น 5

เลขที่ 2525 ถนนพระราม 4

แขวงคลองเตย เขตคลองเตย

กรุงเทพฯ 10110

โทร: +66 2012 8888

แฟกซ์: +66 2064 5800

www.bosch.co.th

ศูนย์บริการซ่อมและฝึกอบรม บอช

อาคาร ลาซาลทาวเวอร์ ชั้น G ห้องเลขที่ 2

บานเลขที่ 10/11 หมู่ 16

ถนนศรีนครินทร์

ตำบลบางแก้ว อำเภอบางพลี

จังหวัดสมุทรปราการ 10540

ประเทศไทย

โทรศัพท์ 02 7587555

โทรสาร 02 7587525

การกำจัดขยะ

เครื่องมือไฟฟ้า อุปกรณ์ประกอบ และที่บล็อ ต้องนำไปแยกประเภทวัสดุเพื่อการรีไซเคิลที่เป็นมิตรต่อสิ่งแวดล้อม



อย่าทิ้งเครื่องมือไฟฟ้าลงในขยะครัวเรือน!

สำหรับประเทศสมาชิกสหภาพยุโรปเท่านั้น:

ตามระเบียบสหภาพยุโรป 2012/19/EU เกี่ยวกับเศษเหลือทิ้งของผลิตภัณฑ์ไฟฟ้าและอิเล็กทรอนิกส์และการนำไปปฏิบัติในกฎหมายระดับประเทศ ต้องเก็บคัดแยกเครื่องมือไฟฟ้าที่ไม่สามารถใช้งานได้อีกต่อไปและส่งเข้าสู่กระบวนการรีไซเคิลที่ไม่ทำลายสภาพแวดล้อม

Bahasa Indonesia

Petunjuk Keselamatan

Petunjuk keselamatan umum untuk perkakas listrik

⚠ PERINGATAN Baca semua peringatan, petunjuk, ilustrasi, dan spesifikasi

keselamatan yang diberikan bersama perkakas listrik ini. Kesalahan dalam menjalankan petunjuk di bawah ini dapat mengakibatkan sengatan listrik, kebakaran, dan/atau cedera serius.

Simpanlah semua peringatan dan petunjuk untuk penggunaan di masa mendatang.

Istilah "perkakas listrik" dalam peringatan mengacu pada perkakas listrik yang dioperasikan dengan listrik (menggunakan kabel) atau perkakas listrik yang dioperasikan dengan baterai (tanpa kabel).

Keamanan tempat kerja

- ▶ **Jaga kebersihan dan pencahayaan area kerja.** Area yang berantakan atau gelap dapat memicu kecelakaan.
- ▶ **Jangan mengoperasikan perkakas listrik di lingkungan yang dapat memicu ledakan, seperti adanya cairan, gas, atau debu yang mudah terbakar.** Perkakas listrik dapat memancarkan bunga api yang kemudian mengakibatkan debu atau uap terbakar.
- ▶ **Jauhkan dari jangkauan anak-anak dan pengamat saat mengoperasikan perkakas listrik.** Gangguan dapat menyebabkan hilangnya kendali.

Keamanan listrik

- ▶ **Steker perkakas listrik harus sesuai dengan stopkontak. Jangan pernah memodifikasi steker. Jangan menggunakan steker adaptor bersama dengan perkakas listrik yang terhubung dengan sistem grounding.** Steker yang tidak dimodifikasi dan stopkontak yang cocok akan mengurangi risiko sengatan listrik.
- ▶ **Hindari kontak badan dengan permukaan yang terhubung dengan sistem grounding, seperti pipa, radiator, kompor, dan lemari es.** Terdapat peningkatan

risiko terjadinya sengatan listrik jika badan Anda terhubung dengan sistem grounding.

- ▶ **Perkakas listrik tidak boleh terpapar hujan atau basah.** Air yang masuk ke dalam perkakas listrik menambah risiko terjadinya sengatan listrik.
- ▶ **Jangan menyalahgunakan kabel. Jangan gunakan kabel untuk membawa, menarik, atau melepas steker perkakas listrik. Jauhkan kabel dari panas, minyak, tepi yang tajam, atau komponen yang bergerak.** Kabel listrik yang rusak atau tersangkut menambah risiko terjadinya sengatan listrik.
- ▶ **Saat mengoperasikan perkakas listrik di luar ruangan, gunakan kabel ekstensi yang sesuai untuk penggunaan di luar ruangan.** Penggunaan kabel yang cocok untuk pemakaian di luar ruangan mengurangi risiko terjadinya sengatan listrik.
- ▶ **Jika perkakas listrik memang harus dioperasikan di tempat yang lembap, gunakan pemutus arus listrik residu (RCD).** Penggunaan RCD akan mengurangi risiko terjadinya sengatan listrik.

Keselamatan personel

- ▶ **Tetap waspada, perhatikan aktivitas yang sedang dikerjakan dan gunakan akal sehat saat mengoperasikan perkakas listrik. Jangan gunakan perkakas listrik saat mengalami kelelahan atau di bawah pengaruh narkoba, alkohol, atau obat-obatan.** Jika perkakas listrik dioperasikan dengan daya konsentrasi yang rendah, hal tersebut dapat menyebabkan cedera serius.
- ▶ **Gunakan peralatan pelindung diri. Selalu kenakan pelindung mata.** Penggunaan perlengkapan pelindung seperti penutup telinga, helm, sepatu anti licin, dan masker debu akan mengurangi cedera.
- ▶ **Hindari start yang tidak disengaja. Pastikan switch berada di posisi off sebelum perkakas listrik dihubungkan ke sumber daya listrik dan/atau baterai, diangkat, atau dibawa.** Membawa perkakas listrik dengan jari menempel pada tombol atau perkakas listrik dalam keadaan hidup dapat memicu kecelakaan.
- ▶ **Singkirkan kunci penyetel atau kunci pas sebelum menghidupkan perkakas listrik.** Perkakas atau kunci pas yang masih menempel pada komponen perkakas listrik yang berputar dapat menyebabkan cedera.
- ▶ **Jangan melampaui batas. Berdirilah secara mantap dan selalu jaga keseimbangan.** Hal ini akan memberikan kontrol yang lebih baik terhadap perkakas listrik pada situasi yang tak terduga.
- ▶ **Kenakan pakaian dengan wajar. Jangan mengenakan perhiasan atau pakaian yang longgar. Jauhkan rambut dan pakaian dari komponen yang bergerak.** Pakaian yang longgar, rambut panjang, atau perhiasan dapat tersangkut dalam komponen yang bergerak.
- ▶ **Jika disediakan perangkat untuk sambungan pengisapan debu dan alat pengumpulan, pastikan perangkat tersebut terhubung dan digunakan dengan**

benar. Penggunaan alat pengumpulan dapat mengurangi bahaya yang disebabkan oleh debu.

- ▶ **Jangan berpuas diri dan mengabaikan prinsip keselamatan karena terbiasa mengoperasikan perkakas.** Tindakan yang kurang hati-hati dapat mengakibatkan cedera serius dalam waktu sepersekian detik.

Penggunaan dan pemeliharaan perkakas listrik

- ▶ **Jangan memaksakan perkakas listrik. Gunakan perkakas listrik yang sesuai untuk pekerjaan yang dilakukan.** Perkakas listrik yang sesuai akan bekerja dengan lebih baik dan aman sesuai tujuan penggunaan.
- ▶ **Jangan gunakan perkakas listrik dengan switch yang tidak dapat dioperasikan.** Perkakas listrik yang switchnya yang tidak berfungsi dapat menimbulkan bahaya dan harus diperbaiki.
- ▶ **Lepaskan steker dari sumber listrik dan/atau lepas baterai, jika dapat dilepaskan dari perkakas listrik sebelum menyetel, mengganti aksesoris, atau menyimpan perkakas listrik.** Tindakan preventif akan mengurangi risiko menghidupkan perkakas listrik secara tidak disengaja.
- ▶ **Jauhkan dan simpan perkakas listrik dari jangkauan anak-anak dan jangan biarkan orang-orang yang tidak mengetahui cara menggunakan perkakas listrik, mengoperasikan perkakas listrik.** Perkakas listrik dapat membahayakan jika digunakan oleh orang-orang yang tidak terlatih.
- ▶ **Lakukan pemeliharaan perkakas listrik dan aksesoris. Periksa komponen yang bergerak apabila tidak lurus atau terikat, kerusakan komponen, dan kondisi lain yang dapat mengganggu pengoperasian perkakas listrik. Apabila rusak, perbaiki perkakas listrik sebelum digunakan.** Kecelakaan sering terjadi karena perkakas listrik tidak dirawat dengan baik.
- ▶ **Jaga ketajaman dan kebersihan alat.** Alat pemotong dengan pisau pemotong yang tajam dan dirawat dengan baik tidak akan mudah tersangkut dan lebih mudah dikendalikan.
- ▶ **Gunakan perkakas listrik, aksesoris, dan komponen perkakas dll sesuai dengan petunjuk ini, dengan mempertimbangkan kondisi kerja dan pekerjaan yang akan dilakukan.** Penggunaan perkakas listrik untuk tujuan berbeda dari fungsinya dapat menyebabkan situasi yang berbahaya.
- ▶ **Jaga gagang dan permukaan genggam agar tetap kering, bersih, dan bebas dari minyak dan lemak.** Gagang dan permukaan genggam yang licin tidak menjamin keamanan kerja dan kontrol alat yang baik pada situasi yang tidak terduga.

Servis

- ▶ **Minta teknisi berkualifikasi untuk menyervis perkakas listrik dengan hanya menggunakan suku cadang yang identik.** Dengan demikian, hal ini akan memastikan keamanan perkakas listrik.

Petunjuk Keselamatan untuk gergaji sirkular

Prosedur pemotongan

- ▶ **⚠ BAHAYA: Jauhkan tangan dari area pemotongan dan bilah pisau. Jaga tangan yang lain agar tetap pada gagang tambahan atau housing mesin.** Jika kedua tangan menggenggam gergaji, tangan Anda tidak akan terkena bilah pisau.
- ▶ **Jangan pegang bagian bawah benda kerja.** Pelindung tidak dapat melindungi tangan Anda dari bilah pisau di bawah benda kerja.
- ▶ **Sesuaikan kedalaman pemotongan dengan ketebalan benda kerja.** Kurangnya gerigi bilah pisau dapat terlihat dari bawah benda kerja.
- ▶ **Jangan pernah pegang benda kerja di tangan atau kaki saat memotong. Jaga agar benda kerja tetap berada pada landasan yang stabil.** Penting untuk menunjang pekerjaan dengan benar agar dapat mengurangi paparan ke badan, bilah pisau tersangkut, atau kehilangan kendali.
- ▶ **Saat menggunakan perkakas listrik, pegang perkakas listrik pada permukaan gagang isolator karena alat pemotong dapat saja bersentuhan dengan kabel yang tidak terlihat atau kabel alat pemotong itu sendiri.** Kontak dengan kabel yang dialiri listrik juga akan menyebabkan terbukanya bagian logam dari alat yang dialiri listrik sehingga berisiko mengakibatkan sengatan listrik pada operator.
- ▶ **Selalu gunakan rip fence atau pemandu tepian lurus saat melakukan pembelahan.** Hal ini akan meningkatkan keakuratan pemotongan dan mengurangi kemungkinan bilah pisau tersangkut.
- ▶ **Selalu gunakan bilah pisau dengan ukuran dan bentuk lubang poros yang sesuai (wajik versus bulat).** Bilah pisau yang tidak sesuai dengan perangkat keras yang terpasang pada gergaji akan bergerak tidak simetris dan mengakibatkan kehilangan kendali.
- ▶ **Jangan pernah menggunakan cincin pengencang bilah gergaji atau baut yang rusak atau tidak tepat.** Cincin pengencang bilah gergaji dan baut telah dirancang khusus untuk gergaji Anda guna memberikan performa yang optimal dan keselamatan saat pengoperasian.

Penyebab sentakan dan peringatan terkait

- sentakan merupakan reaksi yang terjadi secara tiba-tiba akibat bilah pisau gergaji terjepit, macet, atau tidak sejajar, sehingga menyebabkan gergaji yang tidak terkendali terangkat dan terlempar dari benda kerja ke arah operator;
- ketika bilah pisau terjepit atau macet dengan kencang pada celah potongan, bilah pisau akan berhenti bergerak dan mesin akan bereaksi dengan menggerakkan unit dengan cepat ke belakang, ke arah operator;
- jika bilah pisau terpelintir atau tidak sejajar pada potongan, gerigi di tepi belakang bilah pisau dapat menembus permukaan atas kayu sehingga menyebabkan bilah pisau melonjak keluar dari celah potongan dan terpental ke belakang, ke arah operator.

Sentakan merupakan akibat dari penggunaan yang salah pada gergaji dan/atau prosedur atau syarat pengoperasian atau syarat-syarat penggunaan yang tidak tepat, namun dapat dihindari dengan melakukan tindakan pencegahan yang tepat seperti yang diberikan di bawah ini.

- ▶ **Pertahankan genggaman yang erat pada gergaji dengan menggunakan kedua tangan dan posisikan lengan Anda untuk melawan gaya sentakan. Posisikan tubuh Anda ke salah satu sisi bilah pisau, tetapi tidak sejajar dengan bilah pisau.** Sentakan dapat menyebabkan gergaji terpental ke belakang, tetapi gaya sentakan dapat dikendalikan oleh operator, jika operator melakukan tindakan pencegahan yang benar.
- ▶ **Ketika bilah pisau tersangkut atau pemotongan terhenti oleh suatu sebab, lepaskan pemicu dan tahan gergaji pada material tanpa bergerak hingga bilah pisau benar-benar berhenti. Jangan pernah mencoba melepaskan gergaji dari benda kerja atau menarik gergaji ke belakang saat bilah pisau sedang bergerak atau sentakan dapat terjadi.** Periksa dan lakukan reparasi untuk mengatasi penyebab bilah pisau tersangkut.
- ▶ **Saat melanjutkan penggergajian pada benda kerja, pusatkan bilah gergaji pada celah pemotongan sehingga gerigi gergaji tidak masuk ke material.** Jika bilah gergaji tersangkut, bilah dapat naik atau tersentak dari benda kerja ketika gergaji dinyalakan kembali.
- ▶ **Berikan penyangga pada panel yang besar untuk mengurangi risiko bilah terjepit dan tersentak.** Panel yang besar cenderung akan merosot akibat besarnya beban. Penyangga harus ditempatkan di bawah panel pada kedua sisi, di dekat garis potongan dan di dekat tepi panel.
- ▶ **Jangan gunakan bilah pisau yang tumpul atau rusak.** Set bilah pisau yang tidak tajam atau tidak tepat akan menghasilkan celah potongan yang sempit dan menyebabkan gesekan yang berlebihan, bilah gergaji menjadi tersangkut, dan menyebabkan terjadinya sentakan.
- ▶ **Kedalaman bilah pisau dan tuas pengunci penyetel kemiringan harus kencang dan aman sebelum lanjut memotong.** Jika penyetelan bilah pisau bergeser ketika memotong, hal ini dapat menyebabkan bilah pisau tersangkut dan tersentak.
- ▶ **Gunakan dengan sangat hati-hati saat menggergaji ke dinding atau area lain yang sulit dilihat.** Bilah pisau yang menonjol dapat memotong objek yang dapat menyebabkan sentakan.

Fungsi pelindung bawah

- ▶ **Pastikan pelindung bawah dapat menutup dengan benar setiap sebelum digunakan. Jangan operasikan gergaji jika pelindung bawah tidak dapat bergerak bebas dan menutup secara tiba-tiba. Jangan jepit atau ikat pelindung bawah pada posisi terbuka.** Jika gergaji secara tidak sengaja jatuh, pelindung dapat menjadi bengkok. Angkat pelindung bawah dengan gagang penarik dan pastikan pelindung dapat bergerak bebas

serta tidak bersentuhan dengan bilah pisau atau bagian lainnya pada semua sudut dan kedalaman pemotongan.

- ▶ **Periksa pengoperasian pegas pelindung bawah. Jika pelindung dan pegas tidak beroperasi dengan benar, komponen tersebut harus diservis terlebih dahulu sebelum digunakan.** Pelindung bawah mungkin akan beroperasi dengan lambat akibat adanya komponen yang rusak, endapan cairan yang lengket, atau tumpukan kotoran.
- ▶ **Pelindung bawah dapat ditarik secara manual hanya untuk pemotongan khusus seperti "pemotongan ke bawah" (plunge cut) dan "pemotongan gabungan" (compound cut). Angkat pelindung bawah pada gagang penarik dan segera setelah bilah pisau masuk ke material, pelindung bawah akan terlepas.** Untuk semua penggergajian lainnya, pelindung bawah beroperasi secara otomatis.
- ▶ **Selalu pastikan pelindung bawah menutupi bilah pisau sebelum meletakkan gergaji pada bangku atau lantai.** Bilah pisau yang tidak terlindungi dan berputar akan menyebabkan gergaji bergerak ke belakang, dan memotong apa saja yang ada di jalurnya. Perhatikan waktu yang dibutuhkan bilah pisau untuk berhenti setelah switch dipindah.

Petunjuk Keselamatan tambahan

- ▶ **Jangan memegang chip ejector.** Anda dapat mengalami cedera akibat komponen yang berputar.
- ▶ **Jangan mengoperasikan alat di atas kepala.** Mengoperasikan alat dengan cara demikian membuat perkakas tidak dapat dikendalikan dengan stabil.
- ▶ **Gunakanlah alat detektor logam yang cocok untuk mencari kabel dan pipa yang tidak terlihat atau hubungi perusahaan pengadaan setempat.** Sentuhan dengan kabel-kabel listrik dapat mengakibatkan api dan kontak listrik. Pipa gas yang dirusak dapat mengakibatkan ledakan. Pipa air yang dirusak mengakibatkan kerusakan barang-barang atau dapat mengakibatkan kontak listrik.
- ▶ **Jangan mengoperasikan perkakas listrik secara stasioner.** Alat ini tidak dirancang untuk pengoperasian dengan meja gergaji.
- ▶ **Selama melakukan "plunge cut" yang tidak diarahkan ke posisi ortogonal, pastikan pelat pemandu gergaji tidak bergeser.** Mata gergaji yang bergeser ke samping dapat menjadi terbelit dan menyebabkan terjadinya sentakan.
- ▶ **Jangan menggunakan mata gergaji berbahan baja HSS (High-speed Steel).** Mata gergaji dari bahan ini mudah patah.
- ▶ **Jangan menggunakan logam besi.** Serbuk yang berkilau dapat menyulut api pada ekstraksi debu.
- ▶ **Sebelum meletakkan perkakas listrik, tunggulah hingga perkakas berhenti berputar.** Alat kerja dapat tersangkut dan menyebabkan perkakas listrik tidak dapat dikendalikan.
- ▶ **Pegang erat perkakas listrik dengan kedua tangan selama mengoperasikannya dan pastikan Anda berdiri**

di posisi aman. Gunakan perkakas listrik dengan kedua tangan secara hati-hati.

Spesifikasi produk dan performa



Bacalah semua petunjuk keselamatan dan petunjuk penggunaan. Kesalahan dalam menjalankan petunjuk keselamatan dan petunjuk penggunaan dapat mengakibatkan kontak listrik, kebakaran, dan/atau luka-luka

yang berat.

Perhatikan ilustrasi yang terdapat pada sisi sampul panduan pengoperasian.

Tujuan penggunaan

Perkakas listrik ini cocok untuk mengerjakan pemotongan memanjang dan melintang dengan garis pemotongan tegak lurus dan serong pada kayu serta dikerjakan di atas permukaan yang stabil.

Jangan menggunakan perkakas listrik untuk mengerjakan logam besi.

Ilustrasi komponen

Nomor-nomor dari bagian-bagian perkakas pada gambar sesuai dengan gambar perkakas listrik pada halaman bergambar.

- (1) Kap pelindung
- (2) Tombol pengunci untuk switch on/off (3 601 EA2 0K./3 601 EA2 0L./3 601 EA2 0F.)
- (2) Kunci pengaman untuk switch on/off (3 601 EA2 08./3 601 EA2 0B./3 601 EA2 04./3 601 EA2 00./3 601 EA2 07.)
- (3) Switch on/off

- (4) Gagang tambahan
- (5) Tombol penahan spindle kerja
- (6) Skala sudut potong
- (7) Baut kupu-kupu untuk penyetelan awal sudut potong
- (8) Baut kupu-kupu untuk mistar sejajar
- (9) Tanda pemotongan 45°
- (10) Tanda pemotongan 0°
- (11) Mistar sejajar
- (12) Kap pelindung yang bisa bergerak
- (13) Tuas untuk penyetelan kap pelindung
- (14) Pelat dasar
- (15) Baut kupu-kupu untuk penyetelan awal sudut potong
- (16) Pembuangan serbuk
- (17) Kunci L
- (18) Sekrup penjepit dengan cakram
- (19) Flensa penjepit
- (20) Mata gergaji untuk mesin gergaji bundar^{A)}
- (21) Flensa dudukan
- (22) Spindle gergaji
- (23) Baut pemasangan untuk adaptor isap^{A)}
- (24) Adaptor isap^{A)}
- (25) Tuas untuk pemilihan awal kedalaman pemotongan
- (26) Skala untuk kedalaman pemotongan
- (27) Sepasang klem^{A)}
- (28) Gagang (genggaman isolator)

A) Aksesori yang ada pada gambar atau yang dijelaskan tidak termasuk dalam lingkup pengiriman standar. Semua aksesori yang ada dapat Anda lihat dalam program aksesori kami.

Data teknis

Mesin gergaji tangan bundar		GKS 235 Turbo	GKS 235 Turbo	GKS 9
Nomor seri		3 601 EA2 0..	3 601 EA2 0B.	3 601 EA2 00. 3 601 EA2 07.
Input daya nominal	W	2050	2050	2050
Kecepatan idle	min ⁻¹	5300	5300	5300
Kecepatan putar maks. dengan beban	min ⁻¹	3500	3500	3500
Kedalaman pemotongan maks.				
- dengan sudut potong 0°	mm	85	85	85
- dengan sudut potong 45°	mm	65	65	65
Penguncian spindle		●	●	●
Dimensi pelat dasar	mm	383 x 170	383 x 170	383 x 170
Diameter maks. mata gergaji	mm	235	235	235
Diameter min. mata gergaji	mm	230	230	230
ketebalan maks. bilah baja	mm	2,2	2,2	2,2
Ketebalan/pengaturan gigi maks.	mm	3,2	3,2	3,2
Ketebalan/pengaturan gigi min.	mm	2,0	2,0	2,0

Mesin gergaji tangan bundar		GKS 235 Turbo	GKS 235 Turbo	GKS 9
Lubang pemasangan	mm	25	25,4	30
Berat sesuai dengan EPTA-Procedure 01:2014	kg	7,6	7,6	7,6
Klasifikasi keamanan		☐/II	☐/II	☐/II

Hanya untuk perkakas listrik tanpa limiter arus start-up: Proses pengaktifan akan menurunkan tegangan sesaat. Gangguan pada perangkat lainnya dapat terjadi saat kondisi jaringan tidak menguntungkan. Jika impedansi jaringan di bawah 0,14 Ohm, tidak akan terjadi gangguan.

Data-data berlaku untuk tegangan nominal [U] 230 V. Pada tegangan yang lebih rendah dan pada model khusus mancanegara data-data ini bisa berlainan.

Informasi bunyi/getaran

Nilai emisi kebisingan ditentukan berdasarkan

EN 62841-2-5.

Tingkat kebisingan kategori A pada perkakas listrik biasanya adalah: tingkat tekanan suara **92 dB(A)**; tingkat daya akustik **103 dB(A)**. Ketidakpastian $K = 3$ dB.

Gunakan pelindung telinga!

Nilai total getaran a_n (jumlah vektor tiga arah) dan ketidakpastian K ditentukan berdasarkan **EN 62841-2-5:**

Menggergaji kayu: $a_n = 3,3 \text{ m/s}^2$, $K = 1,5 \text{ m/s}^2$

Tingkat getaran yang terdapat dalam petunjuk ini dan nilai emisi kebisingan telah diukur sesuai dengan standardisasi metode pengukuran dalam EN 62841 dan dapat digunakan bersama untuk perbandingan perkakas listrik. Nilai tersebut juga sesuai untuk perkiraan sementara emisi getaran dan kebisingan.

Tingkat getaran yang ditetapkan dan nilai emisi kebisingan menunjukkan penggunaan utama perkakas listrik. Jika perkakas listrik digunakan untuk hal lain dengan alat sisipan lainnya atau dengan perawatan yang tidak memadai, maka tingkat getaran dan nilai emisi kebisingan dapat berbeda. Hal ini dapat meningkatkan emisi getaran dan kebisingan secara signifikan pada saat alat dioperasikan.

Untuk perkiraan emisi getaran dan kebisingan yang tepat, waktu juga harus dipertimbangkan saat alat dinyalakan atau digunakan, tetapi tidak benar-benar saat dioperasikan. Hal ini dapat mengurangi emisi getaran dan kebisingan pada saat alat dioperasikan.

Perhatikan petunjuk keamanan untuk melindungi pengguna dari efek getaran seperti misalnya: merawat perkakas listrik dan alat sisipan, menjaga agar tangan tetap hangat, mengatur alur kerja.

Cara memasang

- ▶ **Hanya selalu gunakan mata gergaji dengan kecepatan putaran maksimal yang diizinkan yang lebih tinggi daripada kecepatan putaran tanpa beban dari perkakas listrik.**

Memasang/mengganti mata gergaji untuk mesin gergaji bundar

- ▶ **Sebelum mulai dengan pekerjaan pada perkakas listrik, tariklah steker dari stopkontak.**
- ▶ **Pakailah sarung tangan pelindung pada waktu memasang mata gergaji.** Terdapat risiko cedera jika menyentuh mata gergaji.
- ▶ **Gunakanlah hanya mata gergaji yang sesuai dengan data yang tercantum di panduan pengoperasian dan pada perkakas listrik.**
- ▶ **Kecepatan putaran alat kerja yang diperbolehkan harus setidaknya sebesar kecepatan putaran maksimal yang tercantum pada perkakas listrik.** Aksesori yang berputar lebih cepat dari kecepatan putaran yang diizinkan dapat patah dan beterbangan.
- ▶ **Janganlah sekali-kali menggunakan mata gerinda sebagai alat kerja mesin gergaji ini.**

Memilih mata gergaji

Temukan ikhtisar mengenai mata gergaji yang disarankan di akhir petunjuk ini.

Melepas mata gergaji (lihat gambar A)

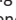

Untuk mengganti alat kerja, sebaiknya perkakas listrik diletakkan pada bagian depan housing mesin.

- Tekan dan tahan tombol penahan poros kerja (5).
- ▶ **Tekan tombol penahan poros kerja (5) hanya pada poros gergaji stasioner.** Jika tidak, perkakas listrik dapat rusak.
- Putar keluar baut pengencang (18) dengan kunci allen (17) ke arah ①.
- Ayunkan kap pelindung (12) dan pegang dengan kuat.
- Lepas flensa penjepit (19) dan mata gergaji (20) dari poros gergaji (22).

Memasang mata gergaji (lihat gambar A)

Untuk mengganti alat kerja, sebaiknya perkakas listrik diletakkan pada bagian depan housing mesin.

- Bersihkan mata gergaji (20) dan komponen penjepit yang dipasang.
- Ayunkan kap pelindung yang bisa bergerak (12) dan pegang dengan kuat.
- Pasang mata gergaji (20) pada flensa dudukan (21). Arah pemotongan gerigi (arah tanda panah pada mata gergaji)

- dan tanda arah putaran pada kap pelindung **(1)** harus sesuai.
- Pasang flensa penjepit **(19)** dan kencangkan baut pengencang **(18)** ke arah . Perhatikan posisi pemasangan yang benar dari flensa dudukan **(21)** dan flensa penjepit **(19)**.
 - Tekan dan tahan tombol penahan spindle kerja **(5)**.
 - Kencangkan baut pengencang **(18)** dengan kunci L **(17)** ke arah . Torsi pengencangan harus sebesar 10-12 Nm yang sesuai dengan kekuatan tangan sebesar ¼ putaran.

Pengisap debu/serbuk

Debu dari bahan-bahan seperti cat yang mengandung timbal, beberapa jenis kayu, bahan mineral dan logam dapat berbahaya bagi kesehatan. Menyentuh atau menghirup debu tersebut dapat mengakibatkan reaksi alergi dan/atau penyakit saluran pernapasan bagi pengguna atau orang yang berada di dekatnya.

Beberapa debu tertentu seperti misalnya debu kayu pohon ek atau pohon fagus silvatica dianggap dapat mengakibatkan penyakit kanker, terutama dalam campuran dengan bahan-bahan tambahan untuk pengolahan kayu (kromat, obat pengawet kayu). Bahan-bahan yang mengandung asbestos hanya boleh dikerjakan oleh orang-orang yang ahli.

- Gunakanlah hanya pengisap debu yang cocok untuk mengisap bahan yang dikerjakan.
- Pastikan terdapat ventilasi udara yang baik di tempat kerja.
- Dianjurkan untuk memakai masker anti debu dengan filter kelas P2.

Taatilah peraturan-peraturan untuk bahan-bahan yang dikerjakan yang berlaku di negara Anda.

- **Hindari debu yang banyak terkumpul di tempat kerja.** Debu dapat tersulut dengan mudah.

Memasang adaptor isap (lihat gambar B)

Pasang adaptor isap **(24)** pada saluran serbuk **(16)** hingga adaptor isap terkunci. Kencangkan adaptor isap **(24)** dengan baut **(23)**.

Pada adaptor isap **(24)** dapat dihubungkan slang pengisap dengan diameter sebesar 35 mm.

- **Adaptor isap tidak boleh dipasang tanpa alat pengisap eksternal yang terhubung.** Jika tidak demikian, saluran pengisapan dapat tersumbat.
- **Tidak boleh ada kantung debu yang terhubung ke adaptor isap.** Jika tidak, sistem pengisap dapat tersumbat.

Untuk menjamin pengisapan yang optimal, adaptor isap harus dibersihkan **(24)** secara teratur.

Pengisap eksternal

Perkakas listrik dapat dihubungkan secara langsung ke stopkontak pada pengisap debu serbaguna dari Bosch dengan perangkat start jauh. Jika perkakas listrik dihidupkan, mesin pengisap ikut hidup secara otomatis. Pengisap debu harus cocok untuk material yang dikerjakan.

Gunakan mesin pengisap khusus saat mengisap debu yang sangat berbahaya bagi kesehatan, pemicu kanker, atau debu kering.

Di Jerman, ekstraktor debu yang teruji diperlukan untuk debu kayu berdasarkan TRGS 553, pengisapan ini tidak boleh digunakan di sektor komersial. Untuk material lainnya, operator komersial harus menjelaskan persyaratan khusus dengan asosiasi dagang yang bertanggung jawab.

Penggunaan

Mode pengoperasian

- **Sebelum mulai dengan pekerjaan pada perkakas listrik, tarikhlah steker dari stopkontak.**

Mengatur kedalaman pemotongan (lihat gambar C)

- **Sesuaikan kedalaman pemotongan dengan ketebalan benda kerja.** Mata gergaji hanya boleh melampaui bagian bawah dari benda kerja maksimal setinggi satu gigi.

Lepaskan tuas pengencang **(25)**. Untuk kedalaman pemotongan yang lebih kecil, tarik gergaji dari pelat dasar **(14)**, untuk kedalaman pemotongan yang lebih besar, tekan gergaji ke arah pelat dasar **(14)**. Setel ukuran yang diinginkan pada skala kedalaman pemotongan. Kencangkan kembali tuas pengencang **(25)**.

Kekencangan tuas **(25)** bisa diatur kembali. Untuk melakukannya, lepaskan tuas **(25)** kemudian kencangkan kembali tuas setidaknya 30° berlawanan arah jarum jam.

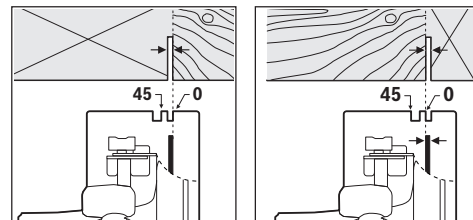
Mengatur sudut pemotongan

Perkakas listrik sebaiknya diletakkan pada bagian depan dari kap pelindung **(1)**.

Lepaskan baut kupu-kupu **(7)** dan **(15)**. Gerakkan mesin gergaji ke samping. Setel ukuran yang diinginkan pada skala **(6)**. Kencangkan kembali baut kupu-kupu **(7)** dan **(15)**.

Catatan: Kedalaman pemotongan lebih kecil dari nilai yang ditampilkan pada skala kedalaman pemotongan **(26)**.

Tanda pemotongan



Tanda pemotongan 0° **(10)** menunjukkan posisi mata gergaji pada pemotongan persegi. Tanda pemotongan 45° **(9)** menunjukkan posisi pada mata gergaji pemotongan 45°.

Untuk melakukan pemotongan yang tepat, dekatkan mesin gergaji bundar pada benda kerja seperti terlihat pada gambar. Sebaiknya dilakukan uji coba pemotongan dahulu.

Cara penggunaan

- ▶ **Perhatikan tegangan listrik!** Tegangan jaringan listrik harus sesuai dengan tegangan listrik yang tercantum pada label tipe perkakas listrik. Perkakas listrik dengan daya sebesar 230 V seperti yang diindikasikan pada label dapat juga dioperasikan pada daya 220 V.

Menghidupkan/mematikan perkakas listrik

- ▶ **Pastikan bahwa Anda dapat mengoperasikan tombol untuk menghidupkan dan mematikan tanpa perlu melepaskan handle.**

3 601 EA2 0K./3 601 EA2 0L./3 601 EA2 0F.:

Untuk **penggunaan** perkakas listrik pertama kali, tekan dan tahan tombol on/off (3).

Untuk **mengunci** tombol on/off yang telah ditekan (3) tekan tombol pengunci (2).

Untuk **menonaktifkan** perkakas listrik, lepaskan tombol on/off (3) jika tombol dikunci dengan tombol pengunci (2), tekan singkat tombol on/off (3) dan kemudian lepaskan.

3 601 EA2 08./3 601 EA2 0B./3 601 EA2 04./ 3 601 EA2 00./3 601 EA2 07.:

Untuk **penggunaan** perkakas listrik pertama kali, tekan switch pengaman (2) dan tekan serta tahan **kemudian** tombol on/off (3).

Untuk **menonaktifkan** perkakas listrik, lepaskan tombol on/off (3).

Catatan: Demi alasan keselamatan, tombol on/off (3) tidak bisa dikunci, melainkan selama penggunaan perkakas, tombol harus selalu ditekan.

Petunjuk pengoperasian

Lindungi mata gergaji dari benturan dan tumbukan.

Gerakkan perkakas listrik secara merata dan dengan dorongan ringan ke arah pemotongan. Dorongan yang terlalu kuat akan sangat mengurangi masa pakai alat kerja dan dapat merusak perkakas listrik.

Daya dan kualitas pemotongan tergantung pada keadaan dan bentuk gigi dari mata gergaji. Karena itu, hanya gunakan mata gergaji yang tajam dan sesuai untuk bahan yang akan dikerjakan.

Menggergaji kayu

Pemilihan mata gergaji yang sesuai didasarkan pada jenis kayu, kualitas kayu dan jenis pemotongan, apakah memanjang atau melintang.

Pada pemotongan memanjang pada kayu cemara terdapat serpihan kayu yang berbentuk spiral dan panjang.

Debu kayu beech dan kayu oak sangat berbahaya bagi kesehatan, karena itu, hanya operasikan perkakas dengan pengisap debu.

Menggergaji dengan mistar sejajar (lihat gambar D)

Mistar sejajar (11) memungkinkan pemotongan yang tepat pada sepanjang tepi benda kerja atau bagian dari potongan yang sama.

Lepaskan baut kupu-kupu (8) dan geser skala pada mistar sejajar (11) melalui pemandu pada pelat dasar (14). Atur

lebar pemotongan yang diinginkan sebagai nilai skala pada tanda pemotongan yang sesuai (10) atau (9), lihat pada bab "Tanda pemotongan". Kencangkan kembali baut kupu-kupu (8).

Menggergaji dengan alat penghenti (lihat gambar E)

Untuk memotong benda-benda yang besar atau memotong tepian yang lurus, Anda bisa mengencangkan sebuah papan atau lis sebagai penghenti benda kerja dan memandu gergaji bundar dengan pelat dasar pada alat penghenti.

Perawatan dan servis

Perawatan dan pembersihan

- ▶ **Sebelum mulai dengan pekerjaan pada perkakas listrik, tariklah steker dari stopkontak.**
- ▶ **Perkakas listrik dan lubang ventilasi harus selalu dibersihkan agar perkakas dapat digunakan dengan baik dan aman.**

Jika kabel listrik harus diganti, pekerjaan ini harus dilakukan oleh Bosch atau Service Center untuk perkakas listrik Bosch yang resmi, agar keselamatan kerja selalu terjamin.

Kap pelindung harus selalu dapat bergerak secara bebas dan harus dapat menutup sendiri. Karena itu, jaga kebersihan area di sekitar kap pelindung. Bersihkan debu dan serpihan menggunakan sikat.

Mata gergaji yang tidak dilapisi bisa dilindungi dari korotan dengan mengolesinya dengan minyak yang tidak mengandung asam. Sebelum menggunakan mesin gergaji, bersihkan mata gergaji dari minyak karena kayu bisa tercemar karenanya.

Sisa-sisa damar dan lem pada mata gergaji akan memengaruhi hasil pemotongan. Karena itu, bersihkan mata gergaji setelah penggunaan.

Layanan pelanggan dan konsultasi penggunaan

Layanan pelanggan Bosch menjawab semua pertanyaan Anda tentang reparasi dan perawatan serta tentang suku cadang produk ini. Gambaran teknis (exploded view) dan informasi mengenai suku cadang dapat ditemukan di:

www.bosch-pt.com

Tim konsultasi penggunaan Bosch akan membantu Anda menjawab pertanyaan seputar produk kami beserta aksesorinya.

www.powertool-portal.de, portal internet untuk perajin dan tukang.

Jika Anda hendak menanyakan sesuatu atau memesan suku cadang, selalu sebutkan nomor model yang terdiri atas 10 angka dan tercantum pada label tipe produk.

Indonesia

PT Robert Bosch
Palma Tower 10th Floor
Jalan RA Kartini II-S Kaveling 6
Pondok Pinang, Kebayoran Lama
Jakarta Selatan 12310
Tel.: (021) 3005 5800
Fax: (021) 3005 5801

E-Mail: boschpowertools@id.bosch.com
www.bosch-pt.co.id

Cara membuang

Perkakas listrik, aksesoris, dan kemasan sebaiknya didaur ulang secara ramah lingkungan.



Jangan membuang perkakas listrik ke dalam sampah rumah tangga!

Hanya untuk negara Uni Eropa:

Menurut European Directive 2012/19/EU tentang limbah peralatan listrik dan elektronik dan kaitannya dengan hukum nasional, listrik yang tidak lagi dapat digunakan harus dikumpulkan secara terpisah dan didaur ulang dengan cara yang ramah lingkungan.

Tiếng Việt

Hướng dẫn an toàn

Hướng dẫn an toàn chung cho dụng cụ điện

⚠ CẢNH BÁO Hãy đọc toàn bộ các cảnh báo an toàn, hướng dẫn, hình ảnh và thông số kỹ thuật được cung cấp cho dụng cụ điện cầm tay này. Không tuân thủ mọi hướng dẫn được liệt kê dưới đây có thể bị điện giật, gây cháy và /hay bị thương tật nghiêm trọng.

Hãy giữ tất cả tài liệu về cảnh báo và hướng dẫn để tham khảo về sau.

Thuật ngữ "dụng cụ điện cầm tay" trong phần cảnh báo là để cập đến sự sử dụng dụng cụ điện cầm tay của bạn, loại sử dụng điện nguồn (có dây cắm điện) hay vận hành bằng pin (không dây cắm điện).

Khu vực làm việc an toàn

- ▶ **Giữ nơi làm việc sạch và đủ ánh sáng.** Nơi làm việc bừa bộn và tối tăm dễ gây ra tai nạn.
- ▶ **Không vận hành dụng cụ điện cầm tay trong môi trường dễ gây nổ, chẳng hạn như nơi có chất lỏng dễ cháy, khí đốt hay rác.** Dụng cụ điện cầm tay tạo ra các tia lửa nên có thể làm rác bén cháy hay bốc khói.
- ▶ **Không để trẻ em hay người đến xem đứng gần khi vận hành dụng cụ điện cầm tay.** Sự phân tâm có thể gây ra sự mất điều khiển.

An toàn về điện

- ▶ **Phích cắm của dụng cụ điện cầm tay phải thích hợp với ổ cắm.** Không bao giờ được cài biến lại phích cắm dưới mọi hình thức. Không được sử dụng phích tiếp hợp nối tiếp đất (dây mát). Phích cắm nguyên bản và ổ cắm đúng loại sẽ làm giảm nguy cơ bị điện giật.

- ▶ **Tránh không để thân thể tiếp xúc với đất hay các vật có bề mặt tiếp đất như đường ống, lò sưởi, hàng rào và tủ lạnh.** Có nhiều nguy cơ bị điện giật hơn nếu cơ thể bạn bị tiếp hay nối đất.
- ▶ **Không được để dụng cụ điện cầm tay ngoài mưa hay ở tình trạng ẩm ướt.** Nước vào máy sẽ làm tăng nguy cơ bị điện giật.
- ▶ **Không được lạm dụng dây dẫn điện.** Không bao giờ được nắm dây dẫn để xách, kéo hay rút phích cắm dụng cụ điện cầm tay. Không để dây gần nơi có nhiệt độ cao, dầu nhớt, vật nhọn bén và bộ phận chuyển động. Làm hỏng hay cuộn rối dây dẫn làm tăng nguy cơ bị điện giật.
- ▶ **Khi sử dụng dụng cụ điện cầm tay ngoài trời, dùng dây nối thích hợp cho việc sử dụng ngoài trời.** Sử dụng dây nối thích hợp cho việc sử dụng ngoài trời làm giảm nguy cơ bị điện giật.
- ▶ **Nếu việc sử dụng dụng cụ điện cầm tay ở nơi ẩm ướt là không thể tránh được, dùng thiết bị ngắt mạch tự động (RCD) bảo vệ nguồn.** Sử dụng thiết bị ngắt mạch tự động RCD làm giảm nguy cơ bị điện giật.

An toàn cá nhân

- ▶ **Hãy tỉnh táo, biết rõ mình đang làm gì và hãy sử dụng ý thức khi vận hành dụng cụ điện cầm tay.** Không sử dụng dụng cụ điện cầm tay khi đang mệt mỏi hay đang bị tác động do chất gây nghiện, rượu hay dược phẩm gây ra. Một thoáng mất tập trung khi đang vận hành dụng cụ điện cầm tay có thể gây thương tích nghiêm trọng cho bản thân.
- ▶ **Sử dụng trang bị bảo hộ cá nhân.** Luôn luôn đeo kính bảo vệ mắt. Trang bị bảo hộ như khẩu trang, giày chống trượt, nón bảo hộ, hay dụng cụ bảo vệ tai khi được sử dụng đúng nơi đúng chỗ sẽ làm giảm nguy cơ thương tật cho bản thân.
- ▶ **Phòng tránh máy khởi động bất ngờ.** Bảo đảm công tắc máy ở vị trí tắt trước khi cắm vào nguồn điện và/hay lắp pin vào, khi nhấc máy lên hay khi mang xách máy. Ngáng ngón tay vào công tắc máy để xách hay kích hoạt dụng cụ điện cầm tay khi công tắc ở vị trí mở dễ dẫn đến tai nạn.
- ▶ **Lấy mọi chìa hay khóa điều chỉnh ra trước khi mở điện dụng cụ điện cầm tay.** Khóa hay chìa còn gắn dính vào bộ phận quay của dụng cụ điện cầm tay có thể gây thương tích cho bản thân.
- ▶ **Không rướn người.** Luôn luôn giữ tư thế đứng thích hợp và thăng bằng. Điều này tạo cho việc điều khiển dụng cụ điện cầm tay tốt hơn trong mọi tình huống bất ngờ.
- ▶ **Trang phục thích hợp.** Không mặc quần áo rộng thùng thình hay mang trang sức. Giữ tóc và quần áo xa khỏi các bộ phận chuyển

động. Quần áo rộng lùng thùng, đồ trang sức hay tóc dài có thể bị cuốn vào các bộ phận chuyển động.

- ▶ **Nếu có các thiết bị đi kèm để nối máy hút bụi và các phụ kiện khác, bảo đảm các thiết bị này được nối và sử dụng tốt.** Việc sử dụng các thiết bị gom hút bụi có thể làm giảm các độc hại liên quan đến bụi gây ra.
- ▶ **Không để thói quen do sử dụng thường xuyên dụng cụ khiến bạn trở nên chủ quan và bỏ qua các quy định an toàn dụng cụ.** Một hành vi bất cẩn có thể gây ra thương tích nghiêm trọng chỉ trong tích tắc.

Sử dụng và bảo dưỡng dụng cụ điện cầm tay

- ▶ **Không được ép máy.** Sử dụng dụng cụ điện cầm tay đúng loại theo đúng ứng dụng của bạn. Dụng cụ điện cầm tay đúng chức năng sẽ làm việc tốt và an toàn hơn theo đúng tiến độ mà máy được thiết kế.
- ▶ **Không sử dụng dụng cụ điện cầm tay nếu như công tắc không tắt và mở được.** Bất kỳ dụng cụ điện cầm tay nào mà không thể điều khiển được bằng công tắc là nguy hiểm và phải được sửa chữa.
- ▶ **Rút phích cắm ra khỏi nguồn điện và/hay pin ra khỏi dụng cụ điện cầm tay nếu có thể tháo được, trước khi tiến hành bất kỳ điều chỉnh nào, thay phụ kiện, hay cất dụng cụ điện cầm tay.** Các biện pháp ngăn ngừa như vậy làm giảm nguy cơ dụng cụ điện cầm tay khởi động bất ngờ.
- ▶ **Cất giữ dụng cụ điện cầm tay không dùng tới nơi trẻ em không lấy được và không cho người chưa từng biết dụng cụ điện cầm tay hay các hướng dẫn này sử dụng dụng cụ cầm tay.** Dụng cụ điện cầm tay nguy hiểm khi ở trong tay người chưa được chỉ cách sử dụng.
- ▶ **Bảo quản dụng cụ điện cầm tay và các phụ kiện.** Kiểm tra xem các bộ phận chuyển động có bị sai lệch hay kẹt, các bộ phận bị rạn nứt và các tình trạng khác có thể ảnh hưởng đến sự vận hành của máy. Nếu bị hư hỏng, phải sửa chữa máy trước khi sử dụng. Nhiều tai nạn xảy ra do bảo quản dụng cụ điện cầm tay tồi.
- ▶ **Giữ các dụng cụ cắt bén và sạch.** Bảo quản đúng cách các dụng cụ cắt có cạnh cắt bén làm giảm khả năng bị kẹt và dễ điều khiển hơn.
- ▶ **Sử dụng dụng cụ điện cầm tay, phụ kiện, đầu cài v. v., đúng theo các chỉ dẫn này, hãy lưu ý đến điều kiện làm việc và công việc phải thực hiện.** Sự sử dụng dụng cụ điện cầm tay khác với mục đích thiết kế có thể tạo nên tình huống nguy hiểm.
- ▶ **Giữ tay cầm và bề mặt nắm luôn khô ráo, sạch sẽ và không dính dầu mỡ.** Tay cầm và

bề mặt nắm trơn trượt không đem lại thao tác an toàn và kiểm soát dụng cụ trong các tình huống bất ngờ.

Bảo dưỡng

- ▶ **Đưa dụng cụ điện cầm tay của bạn đến thợ chuyên môn để bảo dưỡng, chỉ sử dụng phụ tùng đúng chủng loại để thay.** Điều này sẽ đảm bảo sự an toàn của máy được giữ nguyên.

Các hướng dẫn an toàn cho cửa tròn

Các quy trình cắt

- ▶ **⚠ NGUY HIỂM: Không được cho tay vào khu vực cắt và lưỡi cắt. Đặt một tay lên tay nắm phụ, hoặc vô động cơ.** Nếu dùng cả hai tay để giữ máy cửa, lưỡi cửa sẽ không thể làm đứt tay.
- ▶ **Không được chạm tay vào phía dưới phôi gia công.** Nắp bảo vệ không thể bảo vệ bạn khỏi lưỡi cửa phía dưới phôi gia công.
- ▶ **Điều chỉnh độ sâu cắt theo độ dày của phôi gia công.** Phải nhìn thấy ít nhất một rãnh của cửa lưỡi cửa phía dưới phôi gia công.
- ▶ **Trong khi cắt, tuyệt đối không dùng tay nắm phôi được cắt hoặc đặt phôi ngang chân của bạn. Cố định phôi gia công vào sàn thao tác cố định.** Việc cố định phôi để giảm thiểu diện tích tiếp xúc với cơ thể, giảm thiểu làm kẹt lưỡi cửa hoặc mất kiểm soát là rất quan trọng.
- ▶ **Cắm dụng cụ điện tại các bề mặt cầm nắm cách điện, khi thực hiện một thao tác tại vị trí mà dụng cụ cắt có thể tiếp xúc với dây điện ngầm hoặc dây điện của thiết bị.** Việc tiếp xúc "trực tiếp" với dây có điện cũng có thể làm cho các phần kim loại hở của dụng cụ điện cầm tay có điện và có thể gây ra điện giật cho người vận hành.
- ▶ **Khi xẻ dọc, luôn sử dụng lá chắn dọc thờ hoặc thanh dẫn hướng cạnh thẳng.** Điều này cải thiện độ chính xác của đường cắt và giảm sự bó lưỡi cửa.
- ▶ **Luôn sử dụng lưỡi cửa đúng kích cỡ và hình dáng (lưỡi kim cương khác với lưỡi tròn) của lỗ tâm.** Các lưỡi không khớp với các phụ kiện cứng ghép nối của máy cửa sẽ làm lệch tâm và có thể làm mất kiểm soát.
- ▶ **Tuyệt đối không sử dụng vòng đệm hoặc chốt lưỡi cửa bị hỏng hoặc không đúng.** Vòng đệm và chốt lưỡi cửa được thiết kế đặc biệt cho máy cửa của bạn, để mang lại hiệu suất và an toàn hoạt động tối ưu.

Nguyên nhân gây ra lực phản hồi và các cảnh báo liên quan

– Lực phản hồi là một lực tác động đột ngột lên lưỡi cửa bị bó, kẹt hoặc bị lệch tâm làm cho không kiểm soát được lưỡi cửa khi nâng và đẩy phôi về phía người vận hành;

– khi lưỡi cửa bị bó hoặc kẹt chặt khi đóng rãnh cửa, lưỡi cửa sẽ dừng lại và quán tính của động cơ làm cho thiết bị chạy nhanh hơn hướng về phía người vận hành;

– nếu lưỡi cửa bị xoắn hoặc lệch tâm trong đường cửa, răng cửa ở cạnh sau của lưỡi cửa có thể cắt sâu vào bề mặt phía trên của tấm gỗ và làm cho lưỡi cửa chệch khỏi rãnh cửa và nảy ngược trở lại phía người vận hành.

Lực phản hồi là do việc sử dụng sai và/hoặc quy trình hoặc điều kiện vận hành sai máy cửa và có thể phòng tránh bằng cách áp dụng các biện pháp phòng ngừa phù hợp được nêu dưới đây.

- ▶ **Giữ chặt tay nắm trên máy cửa bằng cả hai tay và giữ chặt tay của bạn để chịu được các lực phản hồi. Giữ cơ thể của bạn về một trong hai phía của lưỡi cửa, nhưng không được thẳng hàng với lưỡi cửa.** Lực phản hồi có thể làm cho máy cửa bật ngược trở lại, tuy nhiên người vận hành có thể kiểm soát được các lực phản hồi nếu áp dụng các biện pháp phòng ngừa phù hợp.
- ▶ **Khi lưỡi cửa bị kẹt hoặc khi dừng cửa vì bất kỳ lý do nào đó, hãy nhả công tắc bấm của máy cửa và giữ cố định máy cửa trong vật liệu tới khi lưỡi cửa đã dừng quay hẳn. Tuyệt đối không cố gắng lấy máy cửa ra khỏi phôi hoặc kéo ngược máy cửa trong khi lưỡi cửa vẫn đang quay nếu không lực phản hồi có thể xảy ra.** Kiểm tra và có biện pháp khắc phục để loại bỏ nguyên nhân kẹt lưỡi cửa.
- ▶ **Khi khởi động lại máy cửa đang ở trong phôi gia công, chỉnh tâm lưỡi cửa vào đúng rãnh cửa sao cho rãnh cửa không bị mắc vào vật liệu.** Nếu lưỡi cửa bị kẹt, nó có thể trật rãnh cửa hoặc sinh ra lực phản hồi từ phôi khi khởi động lại máy cửa.
- ▶ **Sử dụng các panô lớn để giảm thiểu rủi ro bị kẹt lưỡi cửa và lực phản hồi.** Các panô lớn thường võng xuống dưới trọng lượng riêng của chúng. Cần phải đặt các tấm đỡ phía dưới panô ở cả hai phía, gần đường cửa và gần cạnh của panô.
- ▶ **Không sử dụng lưỡi cửa hỏng hoặc cùn.** Lưỡi cửa không sắc hoặc không phù hợp có thể tạo ra rãnh cửa hẹp gây ra lực ma sát quá mức, bó lưỡi cửa và lực phản hồi.
- ▶ **Độ sâu của lưỡi cửa và các tay siết điều chỉnh phải chặt và chắc chắn trước khi tiến hành cửa.** Nếu lưỡi cửa dịch chuyển trong khi cửa, nó có thể làm kẹt lưỡi cửa và gây ra lực phản hồi.
- ▶ **Sử dụng thêm biện pháp an toàn khi cắt rãnh vào các vách hiện có hoặc các khu vực không nhìn thấy khác.** Lưỡi cửa nhỏ ra có thể cắt các vật thể và có thể gây ra lực phản hồi.

Chức năng nắp bảo vệ phía dưới

- ▶ **Kiểm tra nắp bảo vệ phía dưới đã đóng kín hay chưa trước mỗi lần sử dụng. Không được vận hành máy cửa nếu nắp bảo vệ phía dưới không di chuyển tự do và đóng lại được. Tuyệt đối không kẹp hoặc gắn nắp bảo vệ phía dưới vào vị trí mở.** Nếu tình cờ làm rơi máy cửa, nắp bảo vệ phía dưới có thể bị cong. Nâng nắp bảo vệ phía dưới lên bằng tay nắm co rút và đảm bảo nó di chuyển tự do và không được chạm vào lưỡi cửa hoặc bất kỳ bộ phận nào khác ở tất cả các góc và độ sâu của đường cửa.
- ▶ **Kiểm tra hoạt động của lò xo bảo vệ phía dưới. Nếu nắp bảo vệ và lò xo không hoạt động tốt, phải sửa chữa chúng trước khi sử dụng.** Nếu nắp bảo vệ dưới hoạt động chậm do các bộ phận bị hư hỏng, nhựa lỏng hoặc tích tụ các mảnh vụn cửa.
- ▶ **Có thể co rút nắp bảo vệ phía dưới bằng tay chỉ với các đường cửa đặc biệt như các "đường cửa rãnh chìm" và "đường cửa ghép".** Nâng nắp bảo vệ phía dưới lên bằng tay nắm co rút và ngay khi lưỡi cửa cắt vào vật liệu, phải nhả nắp bảo vệ phía dưới ra. Đối với các đường cửa khác, phải vận hành nắp bảo vệ phía dưới một cách tự động.
- ▶ **Luôn quan sát nắp bảo vệ xem có che kín lưỡi cắt không trước khi đặt máy cửa xuống bàn làm việc hoặc sàn nhà.** Lưỡi cửa không được bảo vệ sẽ làm cho máy cửa bật ngược lại và cắt vào bất kỳ điểm nào trong đường cửa. Cần để ý đến thời gian cần thiết để dừng lưỡi cửa sau khi nhả công tắc.

Các cảnh báo phụ thêm

- ▶ **Không cầm vào bộ phun vỏ bào bằng tay.** Nó có thể làm bạn bị thương ở các bộ phận xoay.
- ▶ **Không làm việc với cửa ở trên đầu.** Bạn không kiểm soát đủ trên dụng cụ điện.
- ▶ **Dùng thiết bị dò tìm thích hợp để xác định nếu có các công trình công cộng lắp đặt ngầm trong khu vực làm việc hay liên hệ với Cty công trình công cộng địa phương để nhờ hỗ trợ.** Đụng chạm đường dẫn điện có thể gây ra hỏa hoạn và điện giật. Làm hư hại đường dẫn khí ga có thể gây nổ. Làm thủng đường dẫn nước gây hư hỏng tài sản hay có khả năng gây ra điện giật.
- ▶ **Không được vận hành tĩnh dụng cụ điện.** Nó không được thiết kế để vận hành với bàn cửa.
- ▶ **Khi „Phay cắt chìm“, mà không được tiến hành ở góc bên phải, hãy cố định tấm dẫn hướng của cửa để chống di chuyển sang bên.** Việc di chuyển sang bên có thể dẫn đến kẹp lưỡi cửa và gây dội ngược.

- ▶ **Không được sử dụng lưỡi cưa bằng thép HSS.** Những loại lưỡi cưa như vậy có thể vỡ dễ dàng.
- ▶ **Không cưa kim loại đen.** Các vỏ bảo nóng sáng có thể đốt cháy hệ thống hút bụi.
- ▶ **Luôn luôn đợi cho máy hoàn toàn ngừng hẳn trước khi đặt xuống.** Dụng cụ lắp vào máy có thể bị kẹp chặt dẫn đến việc dụng cụ điện cầm tay bị mất điều khiển.
- ▶ **Giữ máy thật chắc bằng cả hai tay trong khi làm việc và luôn luôn giữ tư thế đứng cho thích hợp và cân bằng.** Dùng hai tay để điều khiển máy thì an toàn hơn.

Mô Tả Sản Phẩm và Đặc Tính Kỹ Thuật



Đọc kỹ mọi cảnh báo an toàn và mọi hướng dẫn. Không tuân thủ mọi cảnh báo và hướng dẫn được liệt kê dưới đây có thể bị điện giật, gây cháy và / hay bị thương tật nghiêm trọng.

Xin lưu ý các hình minh họa trong phần trước của hướng dẫn vận hành.

Sử dụng đúng cách

Máy được thiết kế để cắt gỗ theo đường dọc thẳng và chéo góc cũng như cắt vật chéo góc khi vật liệu gia công được kẹp giữ vững chắc.

Không được phép gia công kim loại màu.

Các bộ phận được minh họa

Sự đánh số các biểu trưng của sản phẩm là để tham khảo hình minh họa của máy trên trang hình ảnh.

- (1) Chắn bảo vệ lưỡi
- (2) Nút khóa giữ công tắc Tắt/Mở (3 601 EA2 0K./3 601 EA2 0L./3 601 EA2 0F.)

- (2) Khóa an toàn của công tắc Tắt/Mở (3 601 EA2 08./3 601 EA2 0B./3 601 EA2 04./3 601 EA2 00./3 601 EA2 07.)
- (3) Công tắc Tắt/Mở
- (4) Tay nắm phụ
- (5) Nút khóa trục
- (6) Thước đo góc vuông miệng
- (7) Bu-long tai hồng dùng để chọn trước góc xiên
- (8) Bu-long tai hồng của đường cấp cạnh
- (9) Dấu cắt 45°
- (10) Dấu cắt 0°
- (11) Đường Cấp Cạnh
- (12) Chắn đàn hồi bảo vệ lưỡi
- (13) Cần đàn hồi dùng để kéo thật chắn bảo vệ lưỡi vào
- (14) Chân đế khuôn bao
- (15) Bu-long tai hồng dùng để chọn trước góc xiên
- (16) Vít khóa cầu thanh
- (17) Chia vận sáu cạnh
- (18) Vít siết với đĩa
- (19) Bích kẹp
- (20) Lưỡi Cưa^{A)}
- (21) Mặt bích tiếp nhận
- (22) Trục cưa
- (23) Vít cố định bộ thích ứng hút^{A)}
- (24) Bộ thích ứng hút^{A)}
- (25) Cần khóa dùng để chọn trước cỡ sâu cắt
- (26) Thước đo cỡ sâu cắt
- (27) Cặp kẹp vít^{A)}
- (28) Tay nắm (bề mặt nắm cách điện)

A) Phụ tùng được trình bày hay mô tả không phải là một phần của tiêu chuẩn hàng hóa được giao kèm theo sản phẩm. Bạn có thể tham khảo tổng thể các loại phụ tùng, phụ kiện trong chương trình phụ tùng của chúng tôi.

Thông số kỹ thuật

Cưa Đĩa		GKS 235 Turbo	GKS 235 Turbo	GKS 9
Mã số máy		3 601 EA2 0..	3 601 EA2 0B.	3 601 EA2 00. 3 601 EA2 07.
Công suất vào danh định	W	2050	2050	2050
Tốc độ không tải	min ⁻¹	5300	5300	5300
Tốc độ quay chịu tải, tối đa	min ⁻¹	3500	3500	3500
Công suất cắt, tối đa				
– ở góc vát chéo 0°	mm	85	85	85
– ở góc vát chéo 45°	mm	65	65	65
Khóa trục		●	●	●
Các kích thước chân đế khuôn bao	mm	383 x 170	383 x 170	383 x 170
đường kính lưỡi cưa tối đa	mm	235	235	235
đường kính lưỡi cưa tối thiểu	mm	230	230	230

Cửa Dĩa		GKS 235 Turbo	GKS 235 Turbo	GKS 9
Độ dày lưỡi cửa, tối đa	mm	2,2	2,2	2,2
Độ dày răng cửa/phân bố, tối đa	mm	3,2	3,2	3,2
Độ dày răng cửa/phân bố, tối thiểu	mm	2,0	2,0	2,0
Lỗ lắp vào	mm	25	25,4	30
Trọng lượng theo Quy trình EPTA-Procedure 01:2014	kg	7,6	7,6	7,6
Cấp độ bảo vệ		□/II	□/II	□/II

Chỉ dành cho dụng cụ điện không có giới hạn dòng điện khởi động: Chu trình khởi động làm giảm điện áp xảy ra thoáng nhanh. Sự gây nhiễu động đối với các thiết bị/máy móc khác có thể xảy ra trong trường hợp ở vào tình trạng không thuận lợi của hệ thống điện nguồn. Không có sự cố xảy ra đối với hệ thống có trở kháng dưới 0,14 Ohm.

Các giá trị đã cho có hiệu lực cho điện thế danh định [U] 230 V. Đối với điện thế thấp hơn và các loại máy dành riêng cho một số quốc gia, các giá trị này có thể thay đổi.

Thông tin về Tiếng ồn/Độ rung

Giá trị phát thải tiếng ồn được xác minh phù hợp với **EN 62841-2-5**.

Mức ồn loại A của dụng cụ điện thường là: Mức áp suất âm thanh **92 dB(A)**; Mức công suất âm thanh **103 dB(A)**. Hệ số bất định K = **3 dB**.

Hãy đeo thiết bị bảo vệ tai!

Tổng giá trị rung $a_{h,v}$ (tổng vector của ba hướng) và hệ số bất định K được xác định theo **EN 62841-2-5**:

Cửa gỗ: $a_{h,v} = 3,3 \text{ m/s}^2$, $K = 1,5 \text{ m/s}^2$

Độ rung và giá trị phát thải tiếng ồn ghi trong những hướng dẫn này được đo phù hợp với một trong những quy trình đo theo tiêu chuẩn EN 62841 và có thể được sử dụng để so sánh với các dụng cụ điện. Chúng cũng thích hợp cho việc đánh giá tạm thời áp lực rung và phát thải tiếng ồn.

Độ rung và giá trị phát thải tiếng ồn này đại diện cho những ứng dụng chính của dụng cụ điện. Tuy nhiên nếu dụng cụ điện được dùng cho các ứng dụng khác, với những phụ tùng khác hoặc bảo trì kém thì độ rung và giá trị phát thải tiếng ồn cũng có thể thay đổi. Điều này có thể làm tăng áp lực rung và phát thải tiếng ồn trong toàn bộ thời gian làm việc một cách rõ ràng.

Để đánh giá chính xác áp lực rung và phát thải tiếng ồn cần phải tính toán những lần máy chạy tắt hay bật nhưng không thực sự hoạt động. Điều này có thể làm giảm áp lực rung và phát thải tiếng ồn trong toàn bộ thời gian làm việc một cách rõ ràng.

Thiết lập các biện pháp an toàn bổ sung để bảo vệ nhân viên vận hành trước ảnh hưởng do rung, ví dụ như: Bảo trì dụng cụ điện và các phụ tùng thay thế, giữ ẩm tay, thiết lập các quy trình làm việc.

Sự lắp vào

- ▶ Chỉ sử dụng lưỡi cửa có tốc độ tối đa cho phép cao hơn tốc độ không tải của dụng cụ điện.

Lắp/Thay Lưỡi Cửa

- ▶ Trước khi tiến hành bất cứ việc gì trên máy, kéo phích cắm điện nguồn ra.
- ▶ Khi lắp ráp lưỡi cửa, hãy mang găng tay bảo hộ vào. Nguy cơ gây thương tích khi chạm vào lưỡi cửa.
- ▶ Chỉ sử dụng lưỡi cửa phù hợp với các đặc tính kỹ thuật được ghi rõ trong các hướng dẫn sử dụng và trên dụng cụ điện.
- ▶ Tốc độ danh định của phụ tùng phải ít nhất là bằng với tốc độ tối đa được ghi trên dụng cụ điện cầm tay. Phụ tùng chạy nhanh hơn tốc độ danh định của chúng có thể văng vỡ ra.
- ▶ Trong bất kỳ trường hợp nào cũng không được sử dụng đĩa mài làm phụ tùng.

Chọn Lưỡi Cửa

Bạn sẽ tìm thấy một tổng quan các lưỡi cửa khuyến nghị ở cuối hướng dẫn vận hành.

Tháo dỡ lưỡi cửa (xem hình A)

Để thay dụng cụ cắt, tốt nhất là nên đặt máy lên bên bề mặt có vỏ bọc động cơ.

- Nhấn nút khóa trục (5) và nhấn giữ.

- ▶ Chỉ cho nút khóa trục hoạt động (5) khi trục cửa đã đứng yên. Nếu không, máy có thể bị làm hỏng.

- Dùng chìa vặn sáu cạnh (17) để xoay bu-lông bắt cố định (18) theo hướng xoay ❶ ra ngoài.
- Hãy xoay chắn đàn hồi bảo vệ lưỡi (12) lùi và giữ chặt.
- Hãy tháo bích kẹp (19) và lưỡi cửa (20) khỏi trục cửa (22).

Lắp lưới cửa (xem hình A)

Để thay dụng cụ cắt, tốt nhất là nên đặt máy lên bên bề mặt có vỏ bọc động cơ.

- Làm sạch lưới cửa (20) và tất cả bộ phận kẹp cần lắp.
- Hãy xoay chắn đàn hồi bảo vệ lưới (12) lùi và giữ chặt.
- Hãy đặt lưới cửa (20) lên mặt bích tiếp nhận (21). Hướng cắt của răng (Hướng mũi tên trên lưới cửa) và mũi tên hướng xoay trên chắn bảo vệ lưới (1) phải khớp.
- Đặt bích kẹp (19) lên và vặn bu-lông bắt cố định vào (18) theo hướng xoay \ominus . Hãy chú ý vị trí lắp ráp của mặt bích tiếp nhận (21) và bích kẹp (19).
- Nhấn nút khóa trục (5) và nhấn giữ.
- Dùng chìa vặn sáu cạnh (17) để siết chặt bu-lông bắt cố định (18) theo hướng xoay \ominus . Mô-men xoắn phải đạt 10-12 Nm, tương ứng với $\frac{1}{4}$ vòng chặt vừa tay.

Hút Dăm/Bụi

Mạt bụi từ các vật liệu được sơn phủ ngoài có chứa chì trên một số loại gỗ, khoáng vật và kim loại có thể gây nguy hại đến sức khoẻ con người. Đụng chạm hay hít thở các bụi này có thể làm người sử dụng hay đứng gần bị dị ứng và/hoặc gây nhiễm trùng hệ hô hấp.

Một số mặt bụi cụ thể, ví dụ như bụi gỗ sồi hay dẫu, được xem là chất gây ung thư, đặc biệt là có liên quan đến các chất phụ gia dùng xử lý gỗ (chất cromat, chất bảo quản gỗ). Có thể chỉ nên để thợ chuyên môn gia công các loại vật liệu có chứa amiăng.

- Cách xa ở mức có thể được, sử dụng hệ thống hút thích hợp cho loại vật liệu.
- Tạo không khí thông thoáng nơi làm việc.
- Khuyến nghị nên mang mặt nạ phòng độc có bộ lọc cấp P2.

Tuân thủ các qui định của quốc gia bạn liên quan đến loại vật liệu gia công.

- ▶ **Tránh không để rác tích tụ tại nơi làm việc.** Rác có thể dễ dàng bắt lửa.

Lắp bộ thích ứng hút (xem hình B)

Hãy gắn bộ thích ứng hút (24) lên vít khóa cầu thanh (16) đến khi vào khớp. Hãy cố định bộ thích ứng hút (24) bằng vít (23).

Tại bộ thích ứng hút (24) một ống hút có thể được kết nối với đường kính 35 mm.

- ▶ **Bộ thích ứng hút không được phép lắp mà không có máy hút bụi ngoài đã kết nối.** Nếu không, đường hút có thể bị tắc nghẽn.
- ▶ **Tại bộ thích ứng hút không được phép kết nối túi chứa bụi.** Nếu không, hệ thống hút có thể bị tắc nghẽn.

Để đảm bảo sự hút được tốt nhất, bộ phận hút (24) ghép nối phải được làm sạch thường xuyên.

Máy Hút Bụi Ngoài

Dụng cụ điện có thể được kết nối trực tiếp với ổ cắm của máy hút bụi đa năng Bosch bằng thiết bị khởi động từ xa. Máy hút chân không khởi động tự động khi máy được mở.

Máy hút bụi phải thích hợp dành cho loại vật liệu đang gia công.

Khi hút bụi khô loại đặc biệt gây nguy hại đến sức khỏe hoặc gây ra ung thư, hãy sử dụng máy hút bụi loại chuyên dụng.

Ở Đức, cần phải sử dụng thiết bị hút bụi gỗ được kiểm tra trên cơ sở TRGS 553, loại máy hút bụi cá nhân không được phép sử dụng trong lĩnh vực chuyên nghiệp. Đối với các chất liệu khác, nhà điều hành cơ sở kinh doanh phải làm rõ các yêu cầu đặc biệt với hiệp hội bảo hiểm trách nhiệm của chủ lao động có thẩm quyền.

Vận Hành

Chế độ hoạt động

- ▶ **Trước khi tiến hành bất cứ việc gì trên máy, kéo phích cắm điện nguồn ra.**

Điều chỉnh cỡ sâu cắt (xem hình C)

- ▶ **Điều chỉnh cỡ sâu cắt phù hợp với độ dày của phôi gia công.** Phải nhìn thấy được gần như nguyên răng của lưới cửa bên dưới vật liệu gia công.

Nhà tay gạt siết (25). Để có cỡ sâu cắt nhỏ hơn, hãy kéo cửa ra khỏi chân đế khuôn bao (14), để có cỡ sâu cắt lớn hơn hãy ấn cửa vào chân đế khuôn bao (14). Chính đặt cỡ sâu cắt theo yêu cầu trên thước đo cỡ sâu. Siết lại tay gạt siết (25).

Lực kẹp của tay gạt siết (25) có thể được điều chỉnh lại. Hãy mở vít của tay gạt siết (25) và siết lại tối thiểu 30° ngược chiều kim đồng hồ.

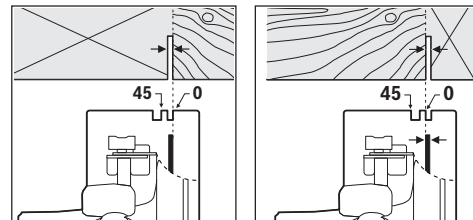
Làm trơn khi cắt kim loại

Tốt nhất là đặt dụng cụ điện lên mặt trước của chắn bảo vệ lưới (1).

Nới lỏng bu-lông tai hồng (7) và (15). Kéo nghiêng cửa sang một bên. Chính đặt cỡ sâu cắt theo yêu cầu trên thước đo (6). Vặn chặt lại bu-lông tai hồng (7) và (15).

Lưu ý: Khi cắt mép vát, cỡ sâu cắt sẽ nhỏ hơn giá trị được hiển thị trên thước đo cỡ sâu (26).

Các Vạch Cắt



Dấu cắt 0° (10) hiển thị vị trí của lưỡi cưa ở vết cắt vuông góc. Dấu cắt 45° (9) hiển thị vị trí của lưỡi cưa ở vết cắt 45°.

Để cắt chính xác, chỉnh đặt máy cưa đĩa tựa vào vật gia công như đã được trình bày trong hình. Tốt nhất là nên thực hiện việc cắt thử trước.

Bắt Đầu Vận Hành

- ▶ **Hãy cẩn thận với nguồn điện! Điện thế nguồn phải đúng với điện thế đã ghi rõ trên nhãn máy. Dụng cụ điện được ghi 230 V cũng có thể được vận hành ở 220 V.**

Bật Mở và Tắt

- ▶ **Hãy đảm bảo rằng, bạn có thể nhấn Công tắc bật/tắt, mà không cần nhả tay nắm.**

3 601 EA2 0K./3 601 EA2 0L./3 601 EA2 0F.:

Để vận hành thử dụng cụ điện hãy nhấn công tắc Tắt/Mở (3) và nhấn giữ.

Để khóa công tắc bật/tắt đã nhấn (3) hãy nhấn nút khóa giữ (2).

Để tắt dụng cụ điện, hãy nhả công tắc bật/tắt (3) hoặc nếu nó được khóa bằng nút khóa giữ (2), hãy nhấn công tắc bật/tắt (3) nhanh và nhả.

3 601 EA2 08./3 601 EA2 0B./3 601 EA2 04./3 601 EA2 00./3 601 EA2 07.:

Để vận hành thử dụng cụ điện hãy nhấn khóa an toàn (2) và sau đó nhấn công tắc tắt/mở và nhấn giữ (3).

Để tắt máy, nhả công tắc Tắt/Mở (3) ra.

Hướng dẫn: Vì lý do an toàn, công tắc chuyển mạch Tắt/Mở (3) không thể khóa tự chạy được, mà phải giữ nhấn trong suốt quá trình vận hành.

Hướng Dẫn Sử Dụng

Bảo vệ lưỡi cưa không bị va đập và dụng cụ chạm mạnh.

Đẩy máy đều tay và cho nạp tải vừa phải đi theo chiều cắt. Sự nạp tải quá mức làm giảm đáng kể tuổi thọ của dụng cụ cắt và có thể làm hư hỏng máy.

Hiệu suất cưa và chất lượng của sự cưa cắt tùy thuộc chủ yếu vào điều kiện, kiểu dáng răng của lưỡi cưa. Vì vậy, chỉ nên sử dụng các lưỡi cưa bên, thích hợp với loại vật liệu được gia công.

Cưa Gỗ

Sự lựa chọn đúng loại lưỡi cưa dựa trên loại và chất lượng gỗ và cách cắt theo yêu cầu, cắt theo chiều dọc hay chiều chéo góc.

Khi xé dọc gỗ cây vân sấm, đảm bảo được tạo ra thường xoắn dài.

Bụi gỗ sỏi và bụi gỗ dễ gai đặc biệt gây hại cho sức khỏe, do đó chỉ làm việc với thiết bị hút bụi.

Cưa với thanh cữ (xem hình D)

Thanh cữ (11) cho phép cắt chính xác dọc theo cạnh phi gia công hoặc cắt các dải cùng kích thước.

Hãy nhả bu-long tai hồng (8) và đẩy thước đo của thanh cữ (11) qua đường dẫn vào chân đế khuôn bao (14). Hãy đặt chiều rộng cắt mong muốn dưới dạng giá trị thang đo ở vạch cắt tương ứng (10) hoặc (9), xem phần „Các vạch cắt“. Hãy vận chặt lại bu-long tai hồng (8).

Cưa với dưỡng phụ (xem hình E)

Để cưa vật gia công rộng bản hoặc có cạnh thẳng, dùng ván hay thanh kẹp vào vật gia công như là một dưỡng phụ; có thể đẩy chân đế của cưa đĩa tựa dọc theo dưỡng phụ.

Bảo Dưỡng và Bảo Quản

Bảo Dưỡng Và Làm Sạch

- ▶ **Trước khi tiến hành bất cứ việc gì trên máy, kéo phích cắm điện nguồn ra.**
- ▶ **Để được an toàn và máy hoạt động đúng chức năng, luôn luôn giữ máy và các khe thông gió được sạch.**

Nếu như cần phải thay dây dẫn điện thì công việc này phải do hãng Bosch, hay một đại lý được Bosch ủy nhiệm thực hiện để tránh gặp sự nguy hiểm do mất an toàn.

Chấn dãn hồi bảo vệ lưỡi phải luôn luôn có thể chuyển động tự do, co thắt tự động. Vì vậy, luôn luôn giữ cho phạm vi chung quanh chấn bảo vệ lưỡi đàn hồi được sạch. Làm sạch bụi và đảm bảo bàn chải.

Lưỡi cưa không được phủ ngoài, có thể bảo vệ được bằng cách dùng loại dầu nhờn không axit phủ một lớp mỏng chống gỉ sét lên. Phải lau sạch dầu nhờn lại trước khi sử dụng, nếu không, sẽ làm gỗ bị bẩn.

Cặn nhựa và keo dính trên lưỡi cưa tạo ra đường cắt có chất lượng tối. Vì vậy, làm sạch lưỡi cưa ngay sau mỗi lần sử dụng.

Dịch vụ hỗ trợ khách hàng và tư vấn sử dụng

Bộ phận phục vụ hàng sau khi bán của chúng tôi trả lời các câu hỏi liên quan đến việc bảo dưỡng và sửa chữa các sản phẩm cũng như phụ tùng thay thế của bạn. Sơ đồ mô tả và thông tin về phụ tùng thay thế cũng có thể tra cứu theo dưới đây:

www.bosch-pt.com

Đội ngũ tư vấn sử dụng của Bosch sẽ giúp bạn giải đáp các thắc mắc về sản phẩm và phụ kiện.

www.powertool-portal.de, cổng thông tin điện tử cho thợ thủ công và người làm việc vật.

Trong tất cả các phản hồi và đơn đặt phụ tùng, xin vui lòng luôn luôn nhập số hàng hóa 10 chữ số theo nhãn của hàng hóa.

Việt Nam

CN CÔNG TY TNHH BOSCH VIỆT NAM TẠI

TP.HCM

Tầng 14, Ngôi Nhà Đức, 33 Lê Duẩn

Phường Bến Nghé, Quận 1, Thành Phố Hồ Chí Minh

Tel.: (028) 6258 3690

Fax: (028) 6258 3692 - 6258 3694

Hotline: (028) 6250 8555

Email: tuvankhachhang-pt@vn.bosch.com

www.bosch-pt.com.vn

www.baohanhbosch-pt.com.vn

Campuchia

Công ty TNHH Robert Bosch (Campuchia)

Đơn nguyên 8BC, GT Tower, Tầng 08,

Đường 169, Tiệp Khắc Blvd, Sangkat Veal Vong,

Khan 7 Makara, Phnom Penh

VAT TIN: 100 169 511

Tel.: +855 23 900 685

Tel.: +855 23 900 660

www.bosch.com.kh

Sự thải bỏ

Máy, linh kiện và bao bì phải được phân loại để tái chế theo hướng thân thiện với môi trường.



Không được thải bỏ dụng cụ điện vào chung với rác sinh hoạt!

Chỉ dành cho các quốc gia thuộc khối Liên minh Châu Âu (EU):

Theo chỉ thị Châu Âu 2012/19/EU về thiết bị điện, thiết bị điện tử cũ và việc sử dụng theo luật quốc gia, các dụng cụ điện cầm tay không còn giá trị sử dụng phải được thu gom riêng và tái chế theo luật môi trường.

◀ إن لم يكن بالإمكان تجنب تشغيل العدة الكهربائية في الأجواء الرطبة، فاستخدم مفتاح للوقاية من التيار المتخلف. إن استخدام مفتاح للوقاية من التيار المتخلف يقلل خطر الصدمات الكهربائية.

أمان الأشخاص

◀ كن يقظاً وانتبه إلى ما تفعله واستخدم العدة الكهربائية بتعقل. لا تستخدم عدة كهربائية عندما تكون متعباً أو عندما تكون تحت تأثير المخدرات أو الكحول أو الأدوية. عدم الانتباه للحظة واحدة عند استخدام العدة الكهربائية قد يؤدي إلى إصابات خطيرة.

◀ قم لارتداء تجهيزات الحماية الشخصية. وارتد دائماً نظارات واقية. يحد ارتداء تجهيزات الحماية الشخصية، كقناع الوقاية من الغبار وأحذية الأمان الواقية من الانزلاق والخوذ أو واقية الأذنين، حسب ظروف استعمال العدة الكهربائية، من خطر الإصابة بجروح.

◀ تجنب التشغيل بشكل غير مقصود. تأكد من كون العدة الكهربائية مطفأة قبل توصيلها بالتيار الكهربائي و/أو بالمركم، وقبل رفعها أو حملها. إن كنت تضع إصبعك على المفتاح أثناء حمل العدة الكهربائية أو إن وصلت الجهاز بالشبكة الكهربائية بينما لامفتاح على وضع التشغيل، قد يؤدي إلى وقوع الحوادث.

◀ انزع أداة الضبط أو مفتاح الربط قبل تشغيل العدة الكهربائية. قد تؤدي الأداة أو المفتاح المتواجد في جزء دوار من الجهاز إلى الإصابة بجروح.

◀ تجنب أوضاع الجسم غير الطبيعية. قف بأمان وحافظ على توازنك دائماً. سيسمح لك ذلك بالتحكم في الجهاز بشكل أفضل في المواقف الغير متوقعة.

◀ قم بارتداء ثياب مناسبة. لا ترتد الثياب الفضفاضة أو الحلى. احرص على إبقاء الشعر والملابس بعيداً عن الأجزاء المتحركة. قد تتشابك الثياب الفضفاضة والحلى والشعر الطويل بالأجزاء المتحركة.

◀ إن جاز تركيب تجهيزات شفط وتجميع الغبار، فتأكد من أنها موصولة وبأنه يتم استخدامها بشكل سليم. قد يقلل استخدام تجهيزات لشفط الغبار من المخاطر الناتجة عن الغبار.

◀ لا تستخدم العدة الكهربائية بلا مبالاة وتتجاهل قواعد الأمان الخاصة بها نتيجة لتعودك على استخدام العدة الكهربائية وكثرة استخدامها. فقد يتسبب الاستخدام دون حرص في حدوث إصابة بالغة تحدث في أجزاء من الثانية.

حسن معاملة واستخدام العدد الكهربائية

◀ لا تفرط بتحميل الجهاز. استخدم لتنفيذ أشغالك العدة الكهربائية المخصصة لذلك. إنك تعمل بشكل أفضل وأكثر أماناً بواسطة العدة الكهربائية الملائمة في مجال المذكور.

◀ لا تستخدم العدة الكهربائية إن كان مفتاح تشغيلها تالف. العدة الكهربائية التي لم يعد من الممكن التحكم بها عن طريق مفتاح التشغيل والإطفاء تعتبر خطيرة ويجب أن يتم إصلاحها.

عربي

إرشادات الأمان

الإرشادات العامة للأمان بالعدد الكهربائية

◀ **تحذير** اطلع على كافة تحذيرات الأمان والتعليمات والصور

والمواصفات المرفقة بالعدة الكهربائية. عدم اتباع التعليمات الواردة أدناه قد يؤدي إلى حدوث صدمة كهربائية، إلى نشوب حريق و/أو الإصابة بجروح خطيرة.

احتفظ بجميع الملاحظات التحذيرية والتعليمات للمستقبل.

يقصد بمصطلح «العدة الكهربائية» المستخدم في الملاحظات التحذيرية، العدد الكهربائية الموصولة بالشبكة الكهربائية (بواسطة كابل الشبكة الكهربائية) وأيضاً العدد الكهربائية المزودة بمركم (دون كابل الشبكة الكهربائية).

الأمان بمكان الشغل

◀ حافظ على نظافة مكان شغلك وإضاءةه بشكل جيد. الفوضى في مكان الشغل ونظافات العمل غير المضاءة قد تؤدي إلى وقوع الحوادث.

◀ لا تشتغل بالعدة الكهربائية في نطاق معرض لخطر الانفجار مثل الأماكن التي تتوفر فيه السوائل أو الغازات أو الأبخرة القابلة للاشتعال. العدد الكهربائية تولد شرراً قد يتطاير، فيشعل الأبخرة والأبخرة.

◀ حافظ على بقاء الأطفال وغيرهم من الأشخاص بعيداً عندما تستعمل العدة الكهربائية. تشتت الانتباه قد يتسبب في فقدان السيطرة على الجهاز.

الأمان الكهربائي

◀ يجب أن يتلائم قابس العدة الكهربائية مع المقبس. لا يجوز تغيير القابس بأي حال من الأحوال. لا تستعمل القوايس المهينة مع العدد الكهربائية المؤرضة (ذات طرف أرضي). تخفض القوايس التي لم يتم تغييرها والمقابس الملائمة من خطر الصدمات الكهربائية.

◀ تجنب ملامسة جسمك للأسطح المؤرضة كالأنياب والمبردات والمواقد أو التلآجات. يزداد خطر الصدمات الكهربائية عندما يكون جسمك مؤرض أو موصل بالأرضي.

◀ أبعد العدة الكهربائية عن الأمطار أو الرطوبة. يزداد خطر الصدمات الكهربائية إن تسرب الماء إلى داخل العدة الكهربائية.

◀ لا تسئ استعمال الكابل. لا تستخدم الكابل في حمل العدة الكهربائية أو سحبها أو سحب القابس من المقبس. احرص على إبعاد الكابل عن الحرارة والزيت والمواف المادية أو الأجزاء المتحركة. تزيد الكابلات التالفة أو المتشابكة من خطر الصدمات الكهربائية.

◀ عند استخدام العدة الكهربائية خارج المنزل اقتصر على استخدام كابلات التمديد الصالحة للاستعمال الخارجي. يقلل استعمال كابل تمديد مخصص للاستعمال الخارجي من خطر الصدمات الكهربائية.

- ◀ اسحب القابس من المقبس و/أو اخلع المركم، إذا كان قابلاً للخلع، قبل ضبط الجهاز وقبل استبدال الملحقات أو قبل تخزين الجهاز. تمنع هذه الإجراءات وقائية تشغيل العدة الكهربائية بشكل غير مقصود.
 - ◀ احتفظ بالعدد الكهربائية التي لا يتم استخدامها بعيداً عن متناول الأطفال. لا تسمح باستخدام العدة الكهربائية لمن لا خبرة له بها أو لمن لم يقرأ تلك التعليمات. العدد الكهربائية خطيرة إن تم استخدامها من قبل أشخاص دون خبرة.
 - ◀ اعتن بالعدة الكهربائية والملحقات بشكل جيد. تأكد أن أجزاء الجهاز المتحركة مركبة بشكل سليم وغير مستعصبة عن الحركة، وتفحص ما إن كانت هناك أجزاء مكسورة أو في حالة تؤثر على سلامة أداء العدة الكهربائية. ينبغي إصلاح هذه الأجزاء التالفة قبل إعادة تشغيل الجهاز. الكثير من الحوادث مصدرها العدد الكهربائية التي تتم صيانتها بشكل رديء.
 - ◀ احرص على إبقاء عدد القطع نظيفة وحادة. إن عدد القطع ذات حواف القطع الحادة التي تم صيانتها بعناية تتكلم بشكل أقل ويمكن توجيهها بشكل أيسر.
 - ◀ استخدم العدد الكهربائية والتوابع وربش الشغل إلخ. وفقاً لهذه التعليمات. تراعى أثناء ذلك ظروف الشغل والعمل المراد تنفيذه.
 - ◀ استخدم العدد الكهربائية لغير الأشغال المخصصة لأجلها قد يؤدي إلى حدوث الحلات الفظيرة.
 - ◀ احرص على إبقاء المقابض وأسطح المسك جافة ونظيفة وخالية من الزيوت والشحوم. المقابض وأسطح المسك الزلقة لا تتيح التشغيل والتحكم الآمن في العدة في المواقف غير المتوقعة.
- الخدمة**
- ◀ احرص على إصلاح عدتك الكهربائية فقط بواسطة العمال المتخصصين وباستعمال قطع الغيار الأصلية فقط. يضمن ذلك المحافظة على أمان الجهاز.
- إرشادات الأمان للمناشير الدائرية**
- خطوات القطع**
- ⚠ **خطر:** أبعد يديك عن حيز القطع وعن النصل. ضع يدك الأخرى على المقبض الإضافي، أو علبه الموتور. إذا كانت اليدين تمسكان بالمنشار فلن تتعرضا للإصابة من جراء النصل.
 - ◀ لا تستمر في القطع حتى تصل إلى أسفل قطعة الشغل. لا يمكن لغطاء الوقاية أن يحميك من النصل أسفل قطعة الشغل.
 - ◀ اضبط عمق القطع ليناسب سمك قطعة الشغل. ينبغي أن يظهر أقل من سن كامل من أسنان النصل أسفل قطعة الشغل.
 - ◀ لا تمسك أبداً بقطعة الشغل في يديك أو بين ساقيك أثناء عملية القطع. احرص على تثبيت قطعة الشغل على منصة عمل ثابتة. من المهم سند قطعة الشغل بشكل مناسب لتقليل تعرض الجسم للخطر أو إعاقة النصل أو فقدان السيطرة.
 - ◀ أمسك العدة الكهربائية من أسطح المسك المعزولة، عند القيام بعمل قد يترتب عليه
- أسباب الصدمة الارتدادية والتحذيرات المتعلقة بها**
- الصدمة الارتدادية هي رد فعل مفاجئ لتعثر نصل المنشار أو انمشاره أو مغازاته بشكل خاطئ، مما يتسبب في فقدان السيطرة على المنشار وتحركه إلى أعلى بعيداً عن قطعة الشغل في اتجاه المشغل.
 - في حالة تعثر النصل أو انمشاره بقوة عند نهاية الشق، يتوقف النصل ويدفع رد فعل الموتور الوحدة بسرعة إلى الخلف في اتجاه المشغل،
 - في حالة التواء النصل أو خطأ محازاته مع خط القطع فقد تدخل أسنان الحافة الخلفية للنصل في السطح العلوي للخشب مما يتسبب في خروج النصل من الشق وارتداده في اتجاه المشغل.
 - تعتبر الصدمة الارتدادية نتيجة للاستخدام الخاطئ للمنشار و/أو لخطوات تشغيل غير صحيحة أو لظروف غير ملائمة، ويمكن تجنبها عن طريق أخذ الاحتياطات المناسبة المبينة أدناه.
 - ◀ احرص دائماً على إحكام مسك المنشار بيدك الأثني، وعلى وضعية أذرع تتيح لك مقاومة القوى الارتدادية. قف على أحد جانبي النصل، ولا تقف في خط واحد معه. قد تتسبب الصدمة الارتدادية في اندفاع المنشار للخلف إلا أنه يمكن للمشغل السيطرة على القوى الارتدادية في حالة اتخاذه الاحتياطات المناسبة.
 - ◀ في حالة تعرض النصل للإعاقة أو في حالة إيقافك لعملية القطع لأي سبب من الأسباب، اترك الزناد وقم بإيقاف المنشار داخل الخامة إلى أن يتوقف النصل تماماً. لا تحاول أبداً جذب المنشار من قطعة الشغل أو شده للخلف بينما النصل في حالة حركة أو معرض لصدمة ارتدادية. ابحث عن السبب وقم بإجراءات تصحيحية لإزالة سبب تعرض النصل للإعاقة.
 - ◀ في حالة إعادة تشغيل المنشار داخل قطعة العمل احرص على مركزة النصل في الشق بحيث تكون أسنان المنشار غير متشابكة مع الخامة. في حالة تعرض النصل للإعاقة فقد يتحرك لأعلى أو يسبب صدمة ارتدادية من قطعة الشغل عند إعادة تشغيل النصل.
 - ◀ احرص على سند الألواح الكبيرة لتقليل مخاطر تعثر النصل أو الصدمة الارتدادية. تميل الألواح

خط الماء يشكل الأضرار المادية أو قد يؤدي إلى الصدمات الكهربائية.

- ◀ لا تتم بتشغيل العدة الكهربائية من وضع ثابت. فهي ليست مصممة للتشغيل على قاعدة المنشار.
- ◀ احرص أثناء «القطع الغاطس»، الذي يتم بزواوية غير قائمة، على تأمين اللوح الدليلي للمنشار ضد التحرك الجانبي. فقد يؤدي التحرك الجانبي إلى انحصار شفرة المنشار وبالتالي حدوث ارتداد.
- ◀ لا تستخدم نصال المنشار المصنوعة من الفولاذ HSS. فنصال المنشار هذه قد تنكسر بسهولة.
- ◀ لا تقم بنشر خامات حديدية. فقد تتسبب النشارة المتوهجة في إشعال الأتربة المشفوفة.
- ◀ انتظر إلى أن تتوقف العدة الكهربائية عن الحركة قبل أن تضعها جانباً. قد تتكلم عدة الشغل فتؤدي إلى فقدان السيطرة على العدة الكهربائية.
- ◀ أمسك العدة الكهربائية جيداً بكلتا يديك عند العمل، واحرص على أن تكون في وضعية ثابتة. يتم توجيه العدة الكهربائية بأمان بواسطة اليدين الائتنيين.

وصف المنتج والأداء

اقرأ جميع إرشادات الأمان والتعليمات. ارتكاب الأخطاء عند تطبيق إرشادات الأمان والتعليمات، قد يؤدي إلى حدوث صدمات كهربائية أو إلى نشوب الحرائق و/أو الإصابة بجروح خطيرة.



يرجى الرجوع إلى الصور الموجودة في الجزء الأول من دليل التشغيل.

الاستعمال المخصص

العدة الكهربائية مخصصة لتنفيذ القطوع الطولية والعرضية بالاسناد الثابت وبمسار مستقيم ومائل بالخشب. غير مسموح بمعالجة المعادن الحديدية.

الأجزاء المصورة

يشير ترقيم الأجزاء المصورة إلى رسوم العدة الكهربائية الموجودة في صفحة الرسوم التخطيطية.

- (1) غطاء وقاية
- (2) زر تثبيت مفتاح التشغيل والإطفاء (3 601 EA2 0K./3 601 EA2 0L./3 601 EA2 0F.)
- (2) قفل تشغيل مفتاح التشغيل والإطفاء (3 601 EA2 08./3 601 EA2 0B./3 601 EA2 07.)
- (3) مفتاح التشغيل والإطفاء
- (4) مقبض إضافي
- (5) زر تثبيت محور الدوران
- (6) مقياس زوايا الشطب المائلة
- (7) لولب منحج لاختيار زاوية الشطب مسبقاً
- (8) لولب منحج لمصدر التوازن
- (9) علامة القطع 45°
- (10) علامة القطع 0°

الكبيرة للهبوط نتيجة لوزنها الكبير. يجب وضع سادات تحت اللوح على الجانبين بالقرب من خط القطع وبالقرب من حافة اللوح.

- ◀ لا تستخدم أنصال تالفة أو ثقيلة الحركة. الأنصال غير المادية والمضبوطة بشكل غير صحيح تتسبب في شقوق ضيقة مما يسبب احتكاك إضافي، وبالتالي تعرض النصل للإعاقة والصدمة الارتدادية.
- ◀ يجب أن تكون أذرع تأمين ضبط عمق النصل وميل القطع مشدودة بثبات قبل القيام بالقطع. في حالة تحرك ضبط النصل أثناء القطع فقد يتسبب في إعاقة أو صدمة ارتدادية.
- ◀ تصرف بحرص شديد عند استخدام المنشار في الجدران أو المناطق الأخرى التي يتعدز رؤيتها. فقد يقوم النصل البارز بقطع أجسام تتسبب في حدوث صدمة ارتدادية.

وظيفة غطاء الوقاية السفلي

- ◀ افحص غطاء الوقاية السفلي قبل كل استخدام من حيث الخلق بشكل سليم. لا تتم بتشغيل المنشار إذا لم يكن غطاء الوقاية السفلي حر الحركة ويمكن غلقه على الفور. لا تقم أبداً بقمط أو ربط غطاء الوقاية السفلي في وضع الفتح. في حالة سقوط المنشار فقد يتعرض غطاء الوقاية السفلي للالتئام. ارفع غطاء الوقاية السفلي باستخدام المقبض القابل للإدخال وتأكد أنه حر الحركة ولا يلامس النصل أو أي جزء آخر في كافة زوايا وأعماق القطع.

- ◀ افحص عمل نابض غطاء الوقاية السفلي. إذا كان غطاء الوقاية والنابض لا يعملان بشكل مناسب، يجب إجراء أعمال الصيانة عليهم قبل الاستخدام. قد يعمل غطاء الوقاية السفلي ببطء نتيجة لوجود أجزاء تالفة أو رواسب ملتصقة أو لتراكم الشوائب.

- ◀ يمكن إدخال غطاء الوقاية السفلي يدوياً مع بعض أنواع القطع الخاصة مثل «القطوع الغاطسة» و«القطوع المدمجة». ارفع غطاء الوقاية السفلي عن طريق سحب المقبض، وبمجرد وصول النصل إلى الخامة، يجب ترك غطاء الحماية السفلي. بالنسبة لجميع أعمال القطع الأخرى يجب أن يعمل غطاء الوقاية السفلي بشكل أوتوماتيكي.

- ◀ تأكد أن غطاء الوقاية السفلي يغطي النصل قبل وضع المنشار لأسفل على الطاولة أو على الأرضية. النصل المستمر في الدوران غير المغطى قد يتسبب في تحرك المنشار للخلف ليقطع أي شيء في طريقه. انتبه للوقت الذي يستغرقه النصل حتى يتوقف بعد ترك المفتاح.

إرشادات الأمان الإضافية

- ◀ لا تدخل يدك في مقذف النشارة. فقد تتعرض للإصابة من جراء الأجزاء الدوارة.
- ◀ لا تعمل بالمنشار فوق مستوى الرأس. فعندئذ لا يُتاح لك السيطرة الكافية على العدة الكهربائية.
- ◀ استخدم أجهزة تنقيب ملائمة للعثور على خطوط الامداد غير الظاهرة، أو استعن بشركة الامداد المحلية. ملائمة الخطوط الكهربائية قد تؤدي إلى اندلاع النار وإلى الصدمات الكهربائية. حدوث أضرار بخط الغاز قد يؤدي إلى حدوث انفجارات. اختراق

- (11) مصدر التوازي
(12) غطاء وقاية متأرجح
(13) ذراع ضبط غطاء الوقاية المتأرجح
(14) صفيحة القاعدة
(15) لولب منحج لاختيار زاوية الشطب مسبقا
(16) مقذوف النشارة
(17) مفتاح سداسي الرأس المجوف
(18) لولب شد مع وردة
(19) شفة شد
(20) نصل المنشار الدائري^(A)
- (21) فلانشة التثبيت
(22) محور دوران المنشار
(23) لولب تثبيت مهابن الشفط^(A)
(24) مهابن الشفط^(A)
(25) ذراع شد لضبط عمق القطع مسبقا
(26) مقياس عمق القطع
(27) زوج ملازم^(A)
(28) مقبض (مقبض مسك معزول)
(A) لا يتضمن إطار التوريد الاعتيادي التوايح المصورة أو المشروحة. تجد التوايح الكاملة في برنامجنا للتوايح.

البيانات الفنية

GKS 9	GKS 235 Turbo	GKS 235 Turbo	منشار يدوي دائري	رقم الصنف
3 601 EA2 00. 3 601 EA2 07.	3 601 EA2 0B.	3 601 EA2 0..		
2050	2050	2050	واط	قدرة الدخل الاسمية
5300	5300	5300	دقيقة ⁻¹	عدد اللغات اللاحملي
3500	3500	3500	دقيقة ⁻¹	أقصى عدد دوران حملي
				عمق القطع الأقصى
85	85	85	مم	- مع زاوية شطب مائلة 0°
65	65	65	مم	- مع زاوية شطب مائلة 45°
●	●	●		قفل محور الدوران
170 x 383	170 x 383	170 x 383	مم	أبعاد صفيحة القاعدة
235	235	235	مم	أقصى قطر نصل للمنشار
230	230	230	مم	أدنى قطر لنصل المنشار
2,2	2,2	2,2	مم	سمك النصل الأقصى
3,2	3,2	3,2	مم	سمك/تفليح الأسنان الأقصى
2,0	2,0	2,0	مم	سمك/تفليح الأسنان الأدنى
30	25,4	25	مم	فجوة الحوض
7,6	7,6	7,6	كجم	الوزن حسب EPTA-Procedure 01:2014
II/□	II/□	II/□		فئة الحماية

فقط في الجهد الكهربائي غير المزودة بمحدد تيار بدء التشغيل: تتسبب عمليات التشغيل في انخفاضات في الجهد لفترات قصيرة. عند الاستخدام غير المناسب لشبكة الكهرباء قد تحدث أضرار بأجهزة أخرى. في حالة وجود مقاومة بالشبكة أقل من 0,14 أوم فليس من المتوقع حدوث اختلالات.

تسري البيانات على جهد اسمي [U] يبلغ 230 فلت. قد تختلف تلك البيانات حسب اختلاف الجهد والطرازات الخاصة بكل دولة.

التركيب

- حرك غطاء الوقاية المتأرجح (12) إلى الخلف وثبته.
- قم بتركيب نصل المنشار (20) على فلانشة التثبيت (21). يجب أن يتطابق اتجاه قص الأسنان (اتجاه السهم على نصل المنشار) مع سهم اتجاه الدوران على غطاء الحماية (1).
- قم بتركيب فلانشة التثبيت (19) وقم بربط لولب الشد (18) في اتجاه الدوران ②. احرص على وضع التثبيت الصحيح لفلانشة التثبيت (21) وفلانشة الشد (19).
- اضغط على زر تثبيت محور الدوران (5) واحتفظ به مضغوطاً.
- باستخدام مفتاح سداسي الرأس المجوف (17) اربط لولب الشد (18) في اتجاه الدوران ②. ينبغي أن يبلغ عزم الربط 10-12 نيوتن متر، وهذا يماثل إحكام الربط اليدوي بالإضافة إلى ¼ لفة.

شفط الغبار/النشارة

- إن غبار بعض المواد كالطلاء الذي يحتوي على الرصاص، وبعض أنواع الخشب والفلزات والمعادن، قد تكون مضرّة بالصحة. إن ملامسة أو استنشاق غبار قد يؤدي إلى أعراض حساسية و/أو إلى أمراض الجهاز التنفسي لدى المستخدم أو لدى الأشخاص المتواجدين على مقربة من المكان.
- تعتبر بعض الأغبرة المعينة، كأغبرة البلوط والزنان، مسببة للسرطان، ولا سيما عند الارتباط بالمواد الإضافية لمعالجة الخشب (ملع حامض الكروميك، المواد الحافظة للخشب). يجوز أن يتم معالجة المواد التي تحتوي على الأسبستوس من قبل العمال المتخصصين فقط دون غيرهم.
- استخدم شاقطة غبار ملائمة للمادة قدر الإمكان.
- حافظ على تهوية مكان الشغل بشكل جيد.
- ينصح بارتداء قناع ووقاية للتنفس بفئة المرشع P2. تراعى الأحكام السارية في بلدكم بالنسبة للمواد المرغوب معالجتها.
- ◀ **تجنب تراكم الغبار بمكان العمل.** يجوز أن تشتعل الأغبرة بسهولة.

تركيب مهائئ (انظر الصورة B)

- أدخل مهائئ الشفط (24) في مقذف النشارة (16) إلى أن يثبت. قم بشكل إضافي بتأمين مهائئ الشفط (24) باستخدام اللولب (23).
- يمكن توصيل مهائئ الشفط (24) بخراطوم شفط يبلغ قطره 35 مم.
- ◀ **لا يجوز تركيب مهائئ الشفط إن لم يتم توصيل شاقطة خارجية.** وإلا فقد تنسد قناة الشفط.
- ◀ **لا يجوز توصيل كيس الغبار بمهائئ الشفط.** وإلا فقد يتعرض نظام الشفط للانسداد.
- ينبغي تنظيف مهائئ الشفط (24) بشكل منتظم لتأمين عملية شفط مثالية.

الشفط الخارجي

- يمكن توصيل العدة الكهربائية مباشرة بمقبس شاقطة بوش الخوائية المتعددة الاستعمال المزودة بتجهيزة التشغيل عن بعد. ويتم تشغيلها بشكل آلي عند تشغيل العدة الكهربائية.
- يجب أن تصلع شاقطة الغبار الخوائية للاستعمال مع مادة الشغل المرغوب معالجتها.

◀ **استخدم فقط نصال المنشار التي تزيد سرعتها القصوى المسموحة عن عدد الدوران اللاحملي بالعدة الكهربائية.**

تركيب/استبدال نصل المنشار الدائري

- ◀ **اسحب القابس من مقبس الشبكة الكهربائية قبل إجراء أي عمل على العدة الكهربائية.**
- ◀ **ارتد قفازات واقية عند تركيب نصل المنشار.** يؤدي ملامسة نصل المنشار إلى تشكل خطر الإصابة بجروح.
- ◀ **استخدم فقط أنصال المنشار التي توافق البيانات المذكورة في دليل الاستعمال هذا وعلى العدة الكهربائية.**
- ◀ **يجب أن توافق عدد لفات عدة الشغل المسموع به عدد اللفات الأقصى المذكور على العدة الكهربائية على الأقل.** إن التوابع التي تدور بسرعة تزيد عن السرعة المسموحة، قد تنكسر وتنتاير.
- ◀ **لا تستخدم أفراس التجليخ كعدد شغل أبدا.**

اختيار نصل المنشار

تجد في نهاية هذا الدليل عرضا عاما لأنصال المنشار الموصى بها.

فك نصل المنشار (انظر الصورة A)

- يفضل وضع العدة الكهربائية على الجهة الجبهية لهيكل المحرك من أجل استبدال العدد.
- اضغط على زر تثبيت محور الدوران (5) واحتفظ به مضغوطاً.

اضغط زر تثبيت محور الدوران (5) فقط عندما يكون محور دوران المنشار متوقفاً عن الحركة.

- وإلا، فقد تتعرض العدة الكهربائية للضرر.
- باستخدام مفتاح سداسي الرأس المجوف (17) أدّر لولب الشد (18) في اتجاه الدوران ① لفكه.
- حرك غطاء الوقاية المتأرجح (12) إلى الخلف وثبته.
- اخلع فلانشة الشد (19) ونصل المنشار (20) من بريمة المنشار (22).

تركيب شفرة المنشار (انظر الصورة A)

- يفضل وضع العدة الكهربائية على الجهة الجبهية لهيكل المحرك من أجل استبدال العدد.
- قم بتنظيف نصل المنشار (20) وجميع الأجزاء المراد تركيبها.

بدء التشغيل

يراعى جهد الشبكة الكهربائية! يجب أن يتطابق جهد منبع التيار مع البيانات المذكورة على لوحة صنع العدة الكهربائية. يمكن أن يتم تشغيل العدد الكهربائية المميزة بعلامة 230 فلت في مقبس 220 فلت أيضا.

التشغيل والإيقاف

تأكد أنه بإمكانك الضغط على زر التشغيل/الإيقاف دون ترك المقبض اليدوي.

3 601 EA2 0K./3 601 EA2 0L./3 601 EA2 0F.:

لغرض تشغيل العدة الكهربائية اضغط على مفتاح التشغيل والإطفاء (3) وحافظ على إبقائه مضغوطا. لغرض تثبيت مفتاح التشغيل/الإطفاء المضغوط (3) اضغط على زر التثبيت (2).

لغرض إطفاء العدة الكهربائية اترك مفتاح التشغيل والإطفاء (3) أو إذا كان مثبتا عن طريق زر التثبيت (2) اضغط على مفتاح التشغيل والإطفاء (3) لوهلة قصيرة ثم اتركه.

3 601 EA2 08./3 601 EA2 0B./3 601 EA2 04./3 601 EA2 00./3 601 EA2 07.:

لغرض تشغيل العدة الكهربائية، اضغط أولا على قفل التشغيل (2) واضغط بعدها على مفتاح التشغيل والإطفاء (3) واحتفظ به مضغوطا.

لغرض إيقاف العدة الكهربائية اترك مفتاح التشغيل والإيقاف (3).

ملحوظة لا يمكن تثبيت مفتاح التشغيل والإطفاء (3) لأسباب متعلقة بالأمان، بل يجب أن يتم ضغطه طوال فترة التشغيل.

إرشادات العمل

ينبغي وقاية نصال المنشار من الصدمات والطرقات. قم بتوجيه العدة الكهربائية بشكل متزن وبضغط خفيف في اتجاه القطع. الدفع الأمامي الزائد يقلل إلى حد كبير من العمر الافتراضي لعدد الشغل ويمكن أن يسبب أضرار بالعدة الكهربائية. تتعلق قدرة النشر وجودة القطع بشكل كبير بحالة وبشكل أسنان نصل المنشار، لذلك ينبغي استخدام نصال المنشار الحادة والملائمة للمادة المرغوب معالجتها فقط.

نشر الخشب

يتعلق اختيار نصل المنشار الملائم بنوع الخشب وبجودة الخشب وإن كان من المطلوب إجراء القطوع الطولية أو العرضية.

في عمليات القطع الطولي في خشب الصنوبر تنشأ نشارة طويلة ولولبية الشكل.

إن أغبرة الزان والبلوط شديدة الضرر بالصحة، لذلك ينبغي العمل فقط بالاتصال مع شاقطة للأغبرة.

النشر مع مصدر التوازي (انظر الصورة D)

يسمح مصدر التوازي (11) بإجراء القطوع الدقيقة على مسار حافة قطعة الشغل أو بقطع الخطوط المتساوية.

قم بحل اللولب المجمع (8) قم بتحريك تدريع مصدر التوازي (11) عبر المسار الدليلي في صفيحة القاعدة (14). اضبط عرض القص المرغوب كقيمة قياسية على

استخدم شاقطة غبار خوائية خاصة عند شطف الأغبرة المضررة بالصحة أو المسببة للسرطان أو الشديدة الجفاف.

في ألمانيا يلزم استخدام تجهيزات شطف مختبرة وفقا لقواعد TRGS 553 مع غبار الخشب، ولا يجوز استخدام تجهيزة الشطف الذاتي في المجال الصناعي. بالنسبة للخامات الأخرى ينبغي أن يتوضخ المشغل الصناعي من الرابطة المهنية عن المتطلبات الخاصة بها.

التشغيل

طرق التشغيل

اسحب القابس من مقبس الشبكة الكهربائية قبل إجراء أي عمل على العدة الكهربائية.

ضبط عمق القطع (انظر الصورة C)

قم بمواءمة عمق القطع مع سمك قطعة الشغل. ينبغي أن يقل ما يمكن رؤيته تمت قطعة الشغل عن ارتفاع السن الكامل.

قم بفق ذراع الشد (25). بالنسبة لأعماق الصغيرة اخلع المنشار من صفيحة القاعدة (14) بالنسبة لأعماق القطع الكبيرة، اضغط المنشار في اتجاه صفيحة القاعدة (14). اضبط المقاس المرغوب في مقياس عمق القطع. أحكم ربط ذراع الشد (25) مرة أخرى.

يمكن ضبط قوة شد ذراع الشد (25) بشكل لاحق. فك ذراع الشد (25) من أجل ذلك ثم أعد ربطها بإحكام بعد إمانتها بمقدار 30 درجة على الأقل بعكس اتجاه دوران عقارب الساعة.

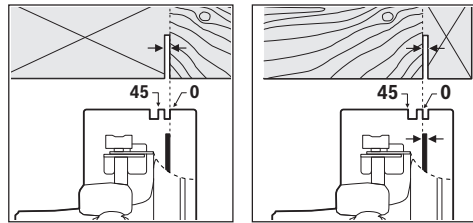
ضبط زوايا الشطب المائلة

يفضل وضع العدة الكهربائية على جهة غطاء الوقاية الجبهية (1).

قم بفق اللوالب المجنحة (7) و (15). اقلب المنشار إلى الجانب. اضبط المقاس المرغوب في التدريع (6). أعد ربط اللولبين المجنحين (7) و (15) مرة أخرى.

إرشاد: عند إجراء قطع الشطب المائلة يكون عمق القطع أصغر من القيمة المشار إليها على مقياس عمق القطع (26).

علامات القطع



وتبين علامة القطع °0 (10) وضع نصل المنشار في حالة القطع بزواوية قائمة. وتبين علامة القطع °45 (9) وضع نصل المنشار في حالة القطع بزواوية °45. ركز المنشار الدائري على قطعة الشغل كما يظهر ذلك في الصورة، من أجل الحصول على خط قطع دقيق. يفضل إجراء نشر تجريبي.

هاتف: +966126971777-311
فاكس: +97317704257
بريد إلكتروني: h.berjas@eajb.com.sa
مصر
يونيمار
20 مركز خدمات
التجمع الأول - القاهرة الجديدة
هاتف: +20 2224 76091-95
هاتف: +20 2224 78072-73
فاكس: +20222478075
بريد إلكتروني: adelzaki@unimaregypt.com

العراق

مجموعة الصهبا للتكنولوجيا
شارع مطار المثنى
بغداد
هاتف: +9647901906953
هاتف دبي: +97143973851
بريد إلكتروني: bosch@sahbatechnology.com
الأردن

الجذور العربية Roots Arabia - الأردن
شارع ناصر بن جميل، المبنى 37 الرابية
11194 عمان
هاتف: +962 6 5545778
بريد إلكتروني: bosch@rootsjordan.com

الكويت

شركة القرين لتجارة السيارات
منطقة الشويخ الصناعية، مبنى 1، قطعة 16، شارع
رقم 3
صندوق بريد صندوق 164 - 13002 الصفاة
هاتف: 24810844
فاكس: 24810879
بريد إلكتروني: josephkr@aaalmutawa.com
لبنان

طحيني هنا وشركاه ش.ذ.م.م.
صندوق بريد صندوق 90-449

جديده
الدورة-بيروت
هاتف: +9611255211
بريد إلكتروني: service-pt@tehini-hana.com

المغرب

روبر بوش المغرب ش.ذ.م.م.
53، زنفة الملازم محروود محمد
20300 كازابلانكا
بريد إلكتروني: sav.outillage@ma.bosch.com
عُمان

ملتن للتجارة والمقاولات ش.م.م.
صندوق بريد صندوق 131
حي روي، 112 سلطة عُمان
هاتف: +968 99886794

بريد إلكتروني: malatanpowertools@malatan.net

قطر

الدولية لعلوم البناء ش.م.م.
صندوق بريد صندوق 51،
هاتف الدوحة: +974 40065458
فاكس: +974 4453 8585

بريد إلكتروني: csd@icsdoha.com

المملكة العربية السعودية

علامة القطع (10) أو (9)، راجع الفقرة «تعليم المقاطع». اربط الولب المجمع (8) مرة أخرى بإحكام.

النشر مع مصد مساعد (انظر الصورة E)

من أجل قص قطع الشغل الكبيرة أو لقص المواف المستقيمة يمكنك أن تثبت لوح خشبي أو عارضة كمصد مساعد على قطعة الشغل، لتوجه المنشار الدائري بواسطة صفيحة القاعدة على مسار المصد المساعد.

الصيانة والخدمة

الصيانة والتنظيف

◀ اسحب القابس من مقبس الشبكة الكهربائية قبل إجراء أي عمل على الحدة الكهربائية.

◀ للعمل بشكل جيد وآمن حافظ دائماً على نظافة الحدة الكهربائية وفتحات التهوية .

إن تطلب الأمر استبدال كابل التوصيل، فينبغي أن يتم ذلك من قبل شركة بوش أو من قبل مركز خدمة عملاء وكالة بوش للعدد الكهربائية، لتجنب التعرض للمخاطر.

يجب أن يكون غطاء الوقاية المترجع قابلاً للحركة بطلاقة وللإغلاق من تلقاء نفسه دائماً. حافظ لأجل ذلك دائماً على نظافة النطاق الموجود حول غطاء الوقاية المتأرجح. قم بإزالة الغبار والنشارة باستخدام فرشاة.

أنصال المنشار غير المطلوبة يمكن حمايتها من التآكل عن طريق طبقة رقيقة من الزيت غير المحتوي على أحماض. امسح الزيت قبل البدء بالشغل وإلا فقد يتسخ الخشب بالبقع.

إن بقايا الراتنج والغراء على نصال المنشار تؤدي إلى القطوع الرديئة، لذلك ينبغي تنظيف نصل المنشار فوراً بعد الاستعمال.

خدمة العملاء واستشارات الاستخدام

يجيب مركز خدمة العملاء على الأسئلة المتعلقة بإصلاح المنتج وصيانتها، بالإضافة لقطع الغيار. تجد الرسوم التفصيلية والمعلومات الخاصة بقطع الغيار في الموقع: www.bosch-pt.com

يسر فريق Bosch لاستشارات الاستخدام مساعدتك إذا كان لديك أي استفسارات بخصوص منتجاتنا وملحقاتها.

www.powertool-portal.de، بوابة الإنترنت للرفيين والعمال اليدويين.

عند إرسال أية استفسارات أو طلبيات بخصوص قطع غيار يلزم ذكر رقم الصنف ذو الخانات العشر وفقاً للوحة صنع المنتج.

الجزائر

سيستال

منطقة الحدادين الصناعية

06000 بجاية

هاتف: +213 (0) 982 400 991/2

فاكس: +213 (0) 3 420 1569

بريد إلكتروني: sav@siestal-dz.com

البحرين

مؤسسة حاتم الجفالي للمعدات الفنية.

مملكة البحرين، طريق سترة السريع، منطقة العكر

الجفالي وأخوانه للمعدات الفنية (جيتكو)
الكيلو 14، طريق المدينة، منطقة البوادي
21431 جدة

هاتف: +966 2 6672222 فرع 1528

فاكس: +966 2 6676308

بريد إلكتروني: roland@eajb.com.sa

سوريا

مؤسسة دلال للأدوات الكهربائية
صندوق بريد صندوق 1030
حلب

هاتف: +963212116083

بريد إلكتروني: rita.dallal@hotmail.com

تونس

روبرت بوش تونس ش.ذ.م.م

7 زنقة ابن بطوطة Z.A. سان جوبان

مقرين رياض

2014 ابن عروس

هاتف: +216 71 427 496/879

فاكس: +216 71 428 621

بريد إلكتروني: sav.outillage@tn.bosch.com

الإمارات العربية المتحدة

المركزية للسيارات والمعدات ذ.م.م، صندوق بريد
1984 صندوق

شارع الوحدة - مبنى صناع القديمة
الشارقة

هاتف: +971 6 593 2777

فاكس: +971 6 533 2269

بريد إلكتروني: powertools@centralmotors.ae

اليمن

مؤسسة أبو الرجال التجارية

صناع، شارع الزبير، أمام مبنى البرلمان الجديد

هاتف: +967-1-202010

فاكس: +967-1-279029

بريد إلكتروني: tech-tools@abualrejal.com

التخلص من العدة الكهربائية

ينبغي تسليم العدد الكهربائية والتوابع والعبوة إلى
مركز معالجة النفايات بطريقة محافظة على البيئة.

لا ترم العدد الكهربائية ضمن النفايات المنزلية.



فقط لدول الاتحاد الأوروبي:

حسب التوجيه الأوروبي EU/2012/19 بصدد الأجهزة
الكهربائية والإلكترونية القديمة وتطبيقه ضمن
القانون المحلي، ينبغي جمع العدد الكهربائية التي لم
تعد صالحة للاستعمال بشكل منفصل، وتسليمها لمركز
يقوم بإعادة استغلالها بطريقة محافظة على البيئة.

آفارسى

دستورات ایمنى

نكات ایمنى عمومى برای ابزارهای برقى

⚠ هشدار کلیه هشدارها، دستورالعملها،

تصاویر و مشخصات ارائه شده به همراه ابزار برقى را مطالعه کنید. اشتباهات ناشی از عدم رعایت این دستورات ایمنى ممکن است باعث برق گرفتگی، سوختگی و یا سایر جراحات های شدید شود.

کلیه هشدارهای ایمنى و راهنماییها را برای آینده خوب نگهداری کنید.

عبارت «ابزار برقى» در هشدارها به ابزارهایی که به پرز برق متصل میشوند (با سیم برق) و یا ابزارهای برقى باترى دار (بدون سیم برق) اشاره دارد.

ایمنى محل کار

◀ محیط کار را تمیز و روشن نگه دارید. محیطهای در هم ریخته یا تاریک احتمال بروز حادثه را افزایش میدهند.

◀ ابزار برقى را در محیطهایی که خطر انفجار وجود دارد و حاوی مایعات، گازها و بخارهای محترقه هستند، به کار نگیرید. ابزارهای برقى جرقههایی ایجاد میکنند که میتوانند باعث آتش گرفتن گرد و غبارهای موجود در هوا شوند.

◀ هنگام کار با ابزار برقى، کودکان و سایر افراد را از دستگاه دور نگه دارید. در صورتیکه حواس شما پرت شود، ممکن است کنترل دستگاه از دست شما خارج شود.

ایمنى الکتریكى

◀ دوشاخه ابزار برقى باید با پرز برق تناسب داشته باشد. هیچگونه تغییری در دوشاخه ایجاد نکنید. مبدل دوشاخه نباید همراه با ابزار برقى دارای اتصال زمین استفاده شود. دوشاخههای اصل و تغییر داده نشده و پرزهای مناسب، خطر برق گرفتگی را کاهش میدهند.

◀ از تماس بدنى با قطعات متصل به سیم اتصال زمین مانند لوله، شوفاژ، اجاق برقى و یخچال خودداری کنید. در صورت تماس بدنى با سطوح و قطعات دارای اتصال به زمین و همچنین تماس شما با زمین، خطر برق گرفتگی افزایش می یابد.

◀ ابزارهای برقى را در معرض باران و رطوبت قرار ندهید. نفوذ آب به ابزار برقى، خطر شوک الکتریكى را افزایش میدهد.

◀ از سیم دستگاه برای مقاصد دیگر استفاده نکنید. هرگز برای حمل ابزار برقى، کشیدن آن یا خارج کردن دوشاخه از سیم دستگاه استفاده نکنید. کابل دستگاه را از حرارت، روغن، لپههای تیز یا قطعات متحرک دور نگه دارید. کابلهای آسیب دیده و یا گره خورده خطر شوک الکتریكى را افزایش میدهند.

◀ هنگام استفاده از ابزار برقى در محیطهای باز، تنها از کابل رابطى استفاده کنید که برای محیط باز نیز مناسب باشد. کابل های رابط مناسب برای محیط باز، خطر برق گرفتگی را کم می کنند.

◀ در صورت لزوم کار با ابزار برقى در محیط و اماکن مرطوب، باید از یک کلید حفاظتی جریان خطا و نشتی زمین (کلید قطع کننده اتصال با زمین) استفاده کنید. استفاده از کلید حفاظتی جریان خطا و نشتی زمین خطر برق گرفتگی را کاهش می دهد.

رعایت ایمنى اشخاص

◀ حواس خود را خوب جمع کنید، به کار خود دقت کنید و با فکر و هوشیاری کامل با ابزار برقى کار کنید. در صورت خستگی و یا در صورتی که مواد مخدر، الکل و دارو استفاده کردهاید، با ابزار برقى کار نکنید. یک لحظه بی توجهی هنگام کار با ابزار برقى، میتواند جراحات های شدیدی به همراه داشته باشد.

◀ از تجهیزات ایمنى شخصی استفاده کنید. همواره از عینک ایمنى استفاده نمایید. استفاده از تجهیزات ایمنى مانند ماسک ضد گرد و غبار، کفشهای ایمنى ضد لغزش، کلاه ایمنى و گوشی محافظ متناسب با نوع کار با ابزار برقى، خطر مجروح شدن را کاهش میدهد.

◀ مواظب باشید که ابزار برقى بطور ناخواسته بکار نیفتد. قبل از وارد کردن دوشاخه دستگاه در

پرز برق، اتصال آن به باترى، برداشتن آن و یا حمل دستگاه، باید دقت کنید که ابزار برقى خاموش باشد. در صورتی که هنگام حمل دستگاه انگشت شما روی دکمه قطع و وصل باشد و یا دستگاه را در حالت روشن به برق بزنید، ممکن است سوانع کاری پیش آید.

◀ قبل از روشن کردن ابزار برقى، همه ابزارهای تنظیم کننده و آپارها را از روی دستگاه بردارید. ابزار و آپارهایی که روی بخش های چرخنده دستگاه قرار دارند، میتوانند باعث ایجاد جراحات شوند.

◀ وضعیت بدن شما باید در حالت عادى قرار داشته باشد. برای کار جای مطمئنی برای خود انتخاب کرده و تعادل خود را همواره حفظ کنید. به این ترتیب میتوانید ابزار برقى را در وضعیتهای غیر منتظره بهتر تحت کنترل داشته باشید.

◀ لباس مناسب بپوشید. از پوشیدن لباسهای گشاد و حمل زینت آلات خودداری کنید. موها و لباس خود را از بخشهای در حال چرخش دستگاه دور نگه دارید. لباسهای گشاد، موی بلند و زینت آلات ممکن است در قسمتهای در حال چرخش دستگاه گیر کنند.

◀ در صورتی که تجهیزاتی برای اتصال وسائل مکش گرد و غبار و یا وسیله جمع کننده گرد و غبار ارائه شده است، باید مطمئن شوید که این وسائل درست نصب و استفاده می شوند. استفاده از وسائل مکش گرد و غبار مصونیت شما را در برابر گرد و غبار زیادتر میکند.

◀ آشنایی با ابزار به دلیل کار کردن زیاد با آن نباید باعث سهل انگاری شما و نادیده گرفتن اصول ایمنى شود. بی دقتی ممکن است باعث بروز جراحاتی در عرض کسری از ثانیه شود.

- ◀ **استفاده صحیح از ابزار برقی و مراقبت از آن**
- ◀ **از وارد کردن فشار زیاد روی دستگاه خودداری کنید. برای هر کاری، از ابزار برقی مناسب با آن استفاده کنید.** بکار گرفتن ابزار برقی مناسب باعث میشود که بتوانید از توان دستگاه بهتر و با اطمینان بیشتر استفاده کنید.
- ◀ **در صورت ایراد در کلید قطع و وصل ابزار برقی، از دستگاه استفاده نکنید.** ابزار برقی که نمی توان آنها را قطع و وصل کرد، خطرناک بوده و باید تعمیر شوند.
- ◀ **قبل از تنظیم ابزار برقی، تعویض متعلقات و یا کنار گذاشتن آن، دوشاخه را از برق بکشید و یا باتری آنرا خارج کنید.** رعایت این اقدامات پیشگیری ایمنی از راه افتادن ناخواسته ابزار برقی جلوگیری می کند.
- ◀ **ابزار برقی را در صورت عدم استفاده، از دسترس کودکان دور نگه دارید و اجازه ندهید که افراد ناوارد و یا اشخاصی که این دفترچه راهنما را نخوانده اند، با این دستگاه کار کنند.** فرار گرفتن ابزار برقی در دست افراد ناوارد و بی تجربه خطرناک است.
- ◀ **از ابزار برقی و متعلقات خوب مراقبت کنید.** مواظب باشید که قسمت های متحرک دستگاه خوب کار کرده و گیر نکنند. همچنین دقت کنید که قطعات ابزار برقی شکسته و یا آسیب دیده نباشند. قطعات آسیب دیده را قبل از شروع به کار تعمیر کنید. علت بسیاری از سوانح کاری، عدم مراقبت کامل از ابزارهای برقی می باشد.
- ◀ **ابزار برش را تیز و تمیز نگه دارید.** ابزار برشی که خوب مراقبت شده و از لبه های تیز برخوردار است، کمتر در قطعه کار گیر کرده و بهتر قابل هدایت است.
- ◀ **ابزار برقی، متعلقات، متنهاي دستگاه و غيره را مطابق دستورات این جزوه راهنما به کار گیرید و به شرایط کاری و نوع کار نیز توجه داشته باشید.** استفاده از ابزار برقی برای عملیاتی به جز مقاصد در نظر گرفته شده، میتواند به بروز شرایط خطرناک منجر شود.
- ◀ **دستها و سطوح عایق را همواره خشک، تمیز و عاری از روغن و گریس نگه دارید.** دسته های لغزنده مانع ایمنی و کنترل در کار در شرایط غیر منتظره هستند.
- سرویس**
- ◀ **برای تعمیر ابزار برقی فقط به متخصصین حرفهای رجوع کنید و از قطعات یدکی اصل استفاده نمایید.** این باعث خواهد شد که ایمنی دستگاه شما تضمین گردد.
- دستورات ایمنی برای اره های گردبر**
- فرایندهای برش**
- ◀ **دستهای خود را از محدوده برش و تیغه اره دور نگه دارید.** با دست دیگر خود دسته کمکی و یا بدنه موتور را بگیرید. چنانچه با هر دو دست خود دستگاه اره را بگیرید، دستهای شما به وسیله تیغه اره آسیب نمی بینند.
- ◀ **هرگز زیر قطعه کار را نگیرید.** قاب محافظ قادر به محافظت شما از آسیب دیدگی توسط تیغه اره در ناحیه زیر قطعه کار نمیباشد.
- ◀ **میزان عمق برش را با ضخامت قطعه کار متناسب و تنظیم کنید.** کمتر از ارتفاع یک دندانه کامل تیغه اره باید از زیر قطعه کار قابل رؤیت باشد.
- ◀ **هرگز قطعه کار را هنگام برش در دستها یا روی پای خود نگه ندارید.** قطعه کار را به وسیله یک قرارگاه و یا سکوی محکم، تثبیت کنید. مهم است که قطعه کار به خوبی مهار شده باشد تا خطر تماس بدنی، گیر کردن تیغه اره و یا از دست دادن کنترل کاهش یابد.
- ◀ **در صورت انجام کارهایی که امکان برخورد با کابلهای حامل جریان برق مخفی وجود دارد، ابزار برقی را از دسته عایق بگیرید.** در صورت برخورد با یک کابل حامل "جریان برق" ممکن است قسمتهای فلزی ابزار برقی حامل "جریان برق" شوند و باعث برق گرفتگی کاربر گردند.
- ◀ **هنگام برش همواره از یک راهنمای برش و یا راهنمای برش مستقیم برای کنارها استفاده کنید.** این کار باعث افزایش دقت میشود و احتمال شکستن تیغه را کاهش میدهد.
- ◀ **همواره از تیغه اره های دارای اندازه و سوراخ نگهدارنده مناسب (مثلا شکل گرد یا لوزی) استفاده کنید.** تیغه ارههایی که با قطعه های مونتاژ اره متناسب نباشند، به صورت غیر مدور حرکت میکنند و باعث از دست دادن کنترل میشوند.
- ◀ **هرگز از پیچ یا واشر آسیب دیده یا نامناسب استفاده نکنید.** واشرها و پیچهای مخصوص تیغه اره، برای دستیابی به عملکرد بهینه و ایمنی عملیات ساخته شده اند.
- پس زدن دستگاه و هشدارهای ایمنی**
- پس زدن نتیجه واکنش ناگهانی تیغه اره بلوکه شده، گیر کرده یا اشتباه هدایت شده است که باعث بلند شدن تیغه اره از قطعه کار و حرکت آن به سمت کاربر میشود؛
- چنانچه تیغه اره در شیار در حال بسته شدن تیغه اره گیر کند یا بلوکه شود، از کار میافتد و نیروی موتور، اره را به سمت کاربر پرت میکند؛
- در صورتیکه تیغه اره در محل برش بچرخد یا اشتباه هدایت شود، امکان گیر کردن دندانه های لبه عقبی تیغه اره در سطح قطعه کار وجود دارد که در این صورت تیغه اره از شیار بیرون میپرد و به سمت کاربر پرت میشود.
- پس زدن نتیجه استفاده نادرست از تیغه اره و/یا روشها یا شرایط کاری غیر صحیح است و با رعایت اقدامات ایمنی مناسب به شرح زیر میتوان از آن جلوگیری بعمل آورد.
- ◀ **اره را با هر دو دست محکم بگیرید و بازوهای خود را در حالتی قرار دهید که قادر به کنترل نیروی پس زننده دستگاه باشید.** همواره با دستگاه به نحوی کار کنید که بدن شما با تیغه اره در یک مسیر قرار نگیرد، بلکه در سطح جانبی، کنار تیغه اره قرار داشته باشد. پس زدن باعث جهش تیغه اره به عقب میشود، اما کاربر دستگاه

- باعث كندى در عملكرد حفاظ ايمنى پايينى تيغه ميشوند.
- ◀ **حفاظ ايمنى پايينى فقط براى برشهاى خاص مانند "برشهاى جيبى" و "برشهاى تركيبى" ميتواند بالا برده شود.** حفاظ ايمنى پايينى را به وسيله اهرم بالا ببريد و به محض فرو رفتن تيغه اره در قطعه كار، اهرم را رها كنيد. هنگام ساير اره كارها، حفظ ايمنى پايينى بايد به صورت اتوماتيك عمل كند.
 - ◀ **قبل از قرار دادن اره بر روى ميز كار و يا روى زمين، مطمئن شويد حفاظ ايمنى پايينى روى تيغه اره را پوشانده است.** تيغه اره بدون حفاظ و در حال چرخش باعث عقب راندن اره ميشود و هر آنچه را كه سر رانش قرار بگيرد، ميبرد. به مدت زمان لازم براى متوقف شدن تيغه اره بعد از رها شدن كلید، توجه داشته باشيد.
- ساير راهنمايىهاى ايمنى**
- ◀ **دستهاى خود را به محل خروج تراشه نزديك نكنيد.** ممكن است، خود را با قسمتهاى در حال چرخش مجروح كنيد.
 - ◀ **با اره بالای سرتان كار نكنيد.** اينگونه كنترل كافى روى ابزار برقى نداريد.
 - ◀ **براى پيدا كردن لوله ها و سيم هاى پنهان موجود در ساختمان و محدوده كار، از يك دستگاه ردياب مخصوص براى يافتن لوله ها و سيمهاى تاسيسات استفاده كنيد و يا با شركت هاى كارهاى تاسيسات ساختمان و خدمات مربوطه تماس بگيريد.** تماس با كابل و سيمهاى برق ممكن است باعث آتشسوزى و يا برق گرفتگى شود. ايراد و آسیب دیدگی لوله گاز ميتواند باعث انفجار شود. سوراخ شدن لوله آب، باعث خسارت و يا برق گرفتگى ميشود.
 - ◀ **از ابزار برقى به صورت نصب شده استفاده نكنيد.** ابزار برقى براى كار روى ميز اره مناسب نيست.
 - ◀ **هنگام انجام "برش عمقى" كه به صورت عمودى انجام نمى شود، صفحه راهنماى اره را در برابر حركت جانبي ايمن كنيد.** حركت جانبي ممكن است منجر به گير كردن تيغه اره و ضربه به عقب شود.
 - ◀ **از تيغه ارههاى فولادى HSS استفاده نكنيد.** اينگونه تيغه هاى اره ممكن است سريع بشكنند.
 - ◀ **فلزات آهنى را اره نكنيد.** تراشهاى گداخته ميتوانند باعث آتشسوزى در مكنده گرد و غبار شوند.
 - ◀ **قبل از كنار گذاشتن ابزار برقى صبر كنيد تا دستگاه بطور كامل از كار و حركت بایستد.** ابزار ممكن است به قطعه كار گير كرده و كنترل ابزار برقى از دست شما خارج شود.
 - ◀ **ابزار برقى را هنگام كار با دو دست محكم بگيريد و وضعيت خود را ثابت و مطمئن كنيد.** ابزار برقى با دو دست مطمئن تر هدايت مى شود.
- مى تواند با اقدامات ايمنى مناسب و با رعايت احتياط بر اين گونه نيروها مسلط باشد.
- ◀ **در صورت گير كردن تيغه اره و يا متوقف ساختن كارتان به هر دليلی، دستگاه را خاموش نموده و اره را ثابت نگه داريد تا تيغه اره كاملاً متوقف شود.** هرگز تا زمانى كه تيغه اره در حال چرخش است، سعى نكنيد آنرا از داخل قطعه كار خارج كنيد و يا اره را به عقب بكشيد، در غير اين صورت امكان پس زدن و ضربه برگشتى وجود دارد. علت گير كردن تيغه اره را جستجو كرده و آنرا برطرف كنيد.
 - ◀ **هنگام روشن كردن مجدد اره در داخل قطعه كار، تيغه اره را در وسط شكاف برش قرار دهيد، به طورى كه دندانهاى تيغه اره در قطعه كار درگير نشود.** در صورت گير كردن تيغه اره، ممكن است هنگام روشن كردن مجدد دستگاه، تيغه اره از قطعه كار بيرون بيايد يا پس بزند.
 - ◀ **سطوح و قطعات بزرگ را خوب مهار كنيد تا خطر پس زدن و يا گير كردن تيغه اره كاهش يابد.** قطعات پهن و بزرگ ممكن است تمت تأثير وزن خود خم شوند. از اينرو بايد در دو طرف قطعه كار، هم در نزديكى خط برش و هم در نزديكى لبه قطعه، تكيهگاه قرار داده شود.
 - ◀ **از به كار بردن تيغههاى كند يا آسیب دیده خودداري كنيد.** تيغههاى كند اره يا درست قرار نگرفتن آنها، باعث ايجاد يك شكاف برش تنگ و در نتيجه منجر به افزايش اصطكاك، گير كردن تيغه اره و پس زدن دستگاه ميشوند.
 - ◀ **قبل از شروع اره كارى، نخست اهرمهاى مهار تنظيم عمق و تنظيم زاويه برش را محكم كنيد.** چنانچه تنظيمات در حين اره كارى تغيير يابند، امكان گير كردن تيغه اره و ضربه برگشتى دستگاه وجود دارد.
 - ◀ **هنگام ارهكارى درون ديوارهاى موجود يا ساير نفاذ كور بيشتر احتياط كنيد.** تيغه اره فرو رفته ميتواند در اجسام كج شده، گير كند و باعث پس زدن شود.
- عملكرد حفاظ پايينى**
- ◀ **قبل از هر بار استفاده، كنترل كنيد كه حفاظ ايمنى پايينى تيغه اره (حفاظ ايمنى خودكار) پخوبى بسته شود.** چنانچه حفاظ ايمنى پايينى آزادانه حركت نميكند و يا فوراً بسته نميشود، اره را مورد استفاده قرار ندهيد. هرگز حفاظ ايمنى پايينى تيغه را در وضعيت باز مهار نكنيد و يا آنرا با وسيلههاى نينديد. چنانچه اره به طور اتفاقى سقوط كند، ممكن است حفاظ ايمنى پايينى تيغه خميده و كج شود. با استفاده از اهرم برگشت پذير، قاب محافظ پايينى را بالا ببريد و مطمئن شويد كه آزادانه حركت ميكند و در كليه زوايا و عمقهاى برش، با تيغه اره و ساير قسمتها برخورد نميكند.
 - ◀ **عملكرد فنر حفاظ ايمنى پايينى تيغه را كنترل كنيد.** چنانچه حفاظ ايمنى و فنر آن به درستي عمل نميكنند، پيش از به كار بردن دستگاه اره، آنها را سرويس و تعمير كنيد. قطعات آسیب دیده، رسوبات چسبنده و يا تجمع تراشه و خاك اره

توضیحات محصول و کارکرد



همه دستورات ایمنی و راهنماییها را بخوانید. اشتباهات ناشی از عدم رعایت این دستورات ایمنی ممکن است باعث برقگرفتگی، سوختگی و یا سایر جراحات های شدید شود.

به تصویرهای واقع در بخشهای اول دفترچه راهنما توجه کنید.

موارد استفاده از دستگاه

این ابزار برقی برای برش های طولی و عرضی قطعات چوبی با مسیر برش مستقیم و همچنین برش های زاویه دار (زاویه فارسی بر)، در حالیکه دستگاه بطور محکم بر روی قطعه کار قرار گرفته باشد، در نظر گرفته شده است.

کار روی اجسام غیر فلزی مجاز نیست.

اجزاء دستگاه

شماره های اجزاء دستگاه که در تصویر مشاهده میشود، مربوط به شرح ابزار برقی می باشد که تصویر آن در این دفترچه آمده است.

(1) قاب محافظ

(2) دکمه تثبیت برای کلید قطع و وصل

(3 601 EA2 0K./3 601 EA2 0L./3 601 EA2 0F.)

(2) دکمه قفل برای کلید قطع و وصل

(3 601 EA2 08./3 601 EA2 0B./3 601 EA2 04./3 601 EA2 00./3 601 EA2 07.)

(3) کلید قطع و وصل

(4) دسته کمکی

(5) دکمه قفل محور

مشخصات فنی

GKS 9	GKS 235 Turbo	GKS 235 Turbo	اره گردبر
3 601 EA2 00. 3 601 EA2 07.	3 601 EA2 0B.	3 601 EA2 0..	شماره فنی
2050	2050	2050	قدرت ورودی نامی
5300	5300	5300	سرعت در حالت آزاد
3500	3500	3500	حداکثر سرعت چرخش زیر بار
			بیشینه ی عمق برش
85	85	85	- برای زاویه ی فارسی 0°
65	65	65	- برای زاویه ی فارسی 45°
●	●	●	قفل کننده محور دستگاه
383 x 170	383 x 170	383 x 170	اندازه های صفحه پایه
235	235	235	بیشینه قطر تیغه اره
230	230	230	کمینه قطر تیغه اره
2,2	2,2	2,2	حداکثر ضخامت تیغه اره
3,2	3,2	3,2	حداکثر ضخامت و اندازه دندان تیغه اره
2,0	2,0	2,0	حداقل ضخامت و اندازه دندان تیغه اره
30	25,4	25	قطر سوراخ میانی تیغه

- (6) درجه بندی زاویه فارسی بر
- (7) پیچ پروانه ای برای انتخاب زاویه فارسی بر
- (8) پیچ پروانه ای برای خط کش راهنمای موازی
- (9) علامت برش 45°
- (10) علامت برش 0°
- (11) خط کش راهنمای موازی
- (12) حفاظ ایمنی (قاب محافظ) خودکار (متحرک)
- (13) اهرم جابجائی و تنظیم حفاظ ایمنی خودکار
- (14) کفی (صفحه پایه)
- (15) پیچ پروانه ای برای انتخاب زاویه فارسی بر
- (16) محل خروج تراشه و خاک اره
- (17) آچار آلن
- (18) پیچ مهار با واشر
- (19) فلانتر مهار (مهره رو)
- (20) تیغه اره گردبر^(A)
- (21) فلانتر گیرنده
- (22) محور اره
- (23) پیچ تثبیت آداپتور مکش^(A)
- (24) آداپتور مکش^(A)
- (25) اهرم مهار برای انتخاب عمق برش
- (26) درجه بندی عمق برش
- (27) گیره پیچی^(A)
- (28) دسته (دارای سطح عایق)
- (A) کلیه متعلقاتی که در تصویر با در متن آمده است، بطور معمول همراه دستگاه ارائه نمی شود. لطفاً لیست کامل متعلقات را از فهرست برنامه متعلقات اکتباس نمایید.

GKS 9	GKS 235 Turbo	GKS 235 Turbo	اره گردبُر
7,6	7,6	7,6	وزن مطابق استاندارد EPTA-Procedure 01:2014
/□	/□	/□	کلاس ایمنی

تنها برای ابزارهای برقی بدون محدود کننده جریان برق راه اندازی: مراحل راهاندازی باعث تولید کاهش ولتاژ کوتاه مدت میشوند. در صورت وجود شرایط نامناسب ممکن است، سایر دستگاهها دچار اختلال شوند. در صورت مقاومت شبکه کمتر از 0,14 اهم انتظار بروز اختلال نمی رود.

مقادیر برای ولتاژ نامی [230] ولت میباشد. برای ولتاژهای مختلف و تولیدات مخصوص کشورها، ممکن است این مقادیر، متفاوت باشند.

نصب

◀ فقط از تیغه های اره ای استفاده کنید که حداکثر سرعت مجاز آنها از سرعت در حالت آزاد (بدون بار) ابزار برقی شما بیشتر باشد.

- نحوه جاگذاری/ تعویض تیغه اره**
- ◀ پیش از انجام هرگونه کاری بر روی ابزار الکتریکی، دوشاخه اتصال آنرا از داخل پریز برق بیرون بکشید.
 - ◀ به هنگام مونتاژ تیغه اره از دستکش ایمنی استفاده کنید. در تماس با تیغه اره خطر آسیب دیدگی و جراحت وجود دارد.
 - ◀ فقط از تیغه های اره ای استفاده کنید که دارای مشخصات و ارقام فنی مندرج در این دفترچه راهنما باشند و طبق استاندارد EN 847-1 کنترل و آزمایش شده و مطابق آن علامتگذاری شده باشند.
 - ◀ میزان تحمل سرعت مجاز متعلقات سایش و برش باید حداقل معادل با حداکثر سرعت تعیین شده بر روی ابزار برقی باشد. ابزار و متعلقاتی که سریعتر از حد مجاز میچرخند، ممکن است بشکنند و به اطراف پرتاب بشوند.
 - ◀ به هیچ وجه از صفحه سنگ بعنوان متعلقات برش استفاده نکنید.

انتخاب تیغه اره

لیستی از تیغه اره های توصیه شده را در انتهای این دفترچه می یابید.

نصب تیغه اره (رجوع شود به تصویر A)

- برای تعویض ابزار و متعلقات، بهتر است ابزار برقی را بر روی پیشانی (سطح خارجی) بدنه موتور قرار بدهید.
- دکمه قفلکننده (5) را فشار دهید و آن را فشرده نگه دارید.
 - ◀ **دکمه قفلکننده (5) را فقط در صورت توقف کامل محور دستگاه فشار دهید.** در غیر اینصورت امکان آسیب دیدن ابزار برقی وجود دارد.
 - با آچار آلن (17) پیچ مهار (18) را در جهت ❶ بیرون بکشید.
 - پیچ پاندولی (12) را به عقب برانید و آن را محکم نگه دارید.
 - فلانژ مهار (19) و تیغه اره (20) را از محور اره (22) جدا کنید.

نصب تیغه اره (رجوع شود به تصویر A)

- برای تعویض ابزار و متعلقات، بهتر است ابزار برقی را بر روی پیشانی (سطح خارجی) بدنه موتور قرار بدهید.
- تیغه اره (20) و تمام قسمتهای مهار را تمیز کنید.
 - پیچ پاندولی (12) را به عقب برانید و آن را محکم نگه دارید.

دستگاه مکنده باید برای قطعه کار مورد نظر مناسب باشد.

برای مکش گرد و غباری که برای سلامتی مضرند و سرطان زا هستند و یا برای مکش تراشه های خشک باید از یک دستگاه مکنده مخصوص استفاده کنید.

در کشور آلمان به دلیل اتصالات آزمایش شده مکنده بر اساس TRGS 553، نایستی مکش خود در محیط صنعتی انجام گردد. برای سایر موارد بایستی مسئول شرکت صنعتی، باید های مربوط را با صنف خود در میان بگذارد.

طرز کار با دستگاه

انواع عملکرد

◀ **پیش از انجام هرگونه کاری بر روی ابزار الکتریکی، دوشاخه اتصال آنرا از داخل پریز برق بیرون بکشید.**

تنظیم عمق برش (رجوع کنید به تصویر C)

◀ **عمق برش را نسبت به ضخامت قطعه کار تنظیم کنید.** بایستی کمتر از ارتفاع یک دندان کامل تیغه اره از زیر قطعه کار قابل رؤیت باشد.

اهرم مهار (25) را باز کنید. برای برش با عمق کمتر، اره را از صفحه پایه (14) کنار بکشید، برای برش با عمق بیشتر، اره را به طرف صفحه پایه (14) برانید. اندازه عمق برش مورد نیاز را از روی جدول درجه بندی عمق برش تنظیم کنید. اهرم مهار (25) را دوباره سفت کنید.

نیروی مهارکنندگی اهرم مهار (25) را میتوان بعداً هم تغییر داد. اهرم مهار (25) را بدین منظور باز کنید و آن را دستکم حدود 30° در خلاف جهت چرخش عقربه های ساعت دوباره سفت کنید.

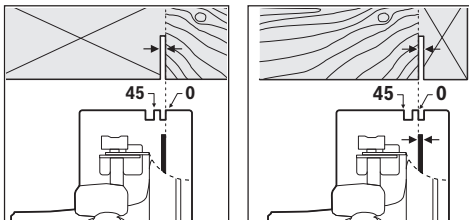
تنظیم زاویه برش فارسی

بهتر است ابزار برقی را روی طرف پیشانی قاب محافظ (1) قرار دهید.

پیچهای پروانه های (7) و (15) را باز کنید. اره را به پهلو بچرخانید. اندازه دلخواه را روی درجه بندی (6) تنظیم کنید. پیچهای پروانه های (7) و (15) را دوباره سفت کنید.

نکته: برای برشهای با زاویه فارسی، عمق برش کمتر از مقدار نشان داده شده روی درجه بندی عمق برش (26) است.

نحوه علامت گذاری های برش



علامت برش 0° (10) وضعیت تیغه اره را در برش با زاویه ی عمودی نشان می دهد. علامت برش 45° (9) وضعیت تیغه اره را در برش با زاویه ی 45° نشان می دهد.

- تیغه اره (20) را روی فلائز گیرنده (21) قرار دهید. جهت برش دندانها (جهت فلش روی تیغه اره) و فلش جهت چرخش روی قاب محافظ (1) بایستی با هم مطابقت داشته باشند.

- فلائز مهار (19) را روی پیچ مهار (18) در جهت چرخش 2 قرار دهید. به حالت نصب فلائز گیرنده (21) و فلائز مهار (19) توجه کنید.

- دکمه قفلکننده (5) را فشار دهید و آن را فشرده نگه دارید.

- با آچار آلن (17) پیچ مهار (18) را در جهت چرخش 2 بیرون بکشید. گشتاور سفت کردن بایستی 10-12 نیوتنمتر باشد، این برابر است با سفت کردن با دست بعلاوه 1/4 چرخش.

مکش گرد، براده و تراشه

گرد و غبار موادی مانند رنگ های دارای سرب، بعضی از چوب ها، مواد معدنی و فلزات میتوانند برای سلامتی مضر باشند. دست زدن و یا تنفس کردن گرد و غبار ممکن است باعث بروز آلرژی و یا بیماری مجاری تنفسی شخص استفاده کننده و یا افرادی که در آن نزدیکی میباشند، بشود.

گرد و غبارهای مخصوصی مانند گرد و غبار درخت بلوط و یا درخت راش سرطان زا هستند، بخصوص ترکیب آنها با سایر موادی که برای کار بر روی چوب (کرومات، مواد برای محافظت از چوب) بکار برده میشوند، فقط افراد متخصص مجازند با موادی که دارای آزبست میباشند کار کنند.

- حتی الامکان از یک دستگاه مکش مناسب و درخور ماده (قطعه کار) استفاده کنید.

- توجه داشته باشید که محل کار شما از تهویه هوای کافی برخوردار باشد.

- توصیه میشود از ماسک تنفسی ایمنی با درجه فیلتر P2 استفاده کنید.

به قوانین و مقررات معتبر در کشور خود در رابطه با استفاده از مواد و قطعات کاری توجه کنید.

◀ **از تجمع گرد و غبار در محل کار جلوگیری کنید.** گرد و غبار می توانند به آسانی مشتعل شوند.

نصب آداپتور مکنده (رجوع شود به تصویر B)

آداپتور مکش (24) را در لوله خروجی تراشه (16) فرو کنید تا جابجاقتند. آداپتور مکش (24) را به همراه پیچ (23) تثبیت کنید.

به آداپتور مکش (24) می توان یک شلنگ مکش با قطر 35 میلیمتر متصل کرد.

◀ **آداپتور مکش را نباید بدون اتصال مکنده مجزا نصب کرد.** در غیر اینصورت کانال مکش مسدود میشود.

◀ **روی آداپتور مکش نباید هیچ کیسه مکشی نصب گردد.** در غیر اینصورت سیستم مکش مسدود میشود.

برای تضمین مکش بهینه بایستی آداپتور مکش (24) مرتب تمیز شود.

مکش گرد و غبار توسط مکنده مجزا

ابزار برقی را میتوان مستقیم به یک پریز مکنده عمومی Bosch مجهز به سیستم فعالسازی از راه دور متصل کرد. با روشن کردن ابزار برقی، دستگاه مکش متصل شده نیز بطور اتوماتیک روشن می شود.

ارهکاری با خطکش راهنمای موازی (رجوع کنید به تصویر D)

خطکش راهنمای موازی (11) برش دقیق در امتداد لبه قطعه کار یا برش نوارهای یکاندازه را فراهم می کند.

پیچ پروانه‌های (8) را باز کنید و درجه بندی خطکش راهنمای موازی (11) را در شیار صفحه پایه (14) برانید. عرض برش دلخواه را به عنوان مقدار درجه بندی روی علامت برش مربوط (10) یا (9) تنظیم کنید، رجوع کنید به بخش، «علامتهای برش». پیچ پروانه‌های (8) را دوباره سفت کنید.

ارهکاری با نگهدارنده کمکی (رجوع کنید به تصویر E)

برای کار بر روی قطعات بزرگ و یا برای برش لبه های مستقیم می‌توانید از یک شیئی مانند یک تخته باریک بعنوان خط کش راهنمای برش به این ترتیب استفاده کنید که آنرا به قطعه کار محکم کنید و اره گرد را با کفی آن در امتداد خط کش راهنمای کمکی حرکت دهید.

مراقبت و سرویس

مراقبت، تعمیر و تمیز کردن دستگاه

پیش از انجام هرگونه کاری بر روی ابزار الکتریکی، دوشاخه اتصال آنرا از داخل پریز برق بیرون بکشید.

ابزار الکتریکی و شیارهای تهویه آنرا تمیز نگاه دارید، تا ایمنی شما در کار تضمین گردد.

در صورت نیاز به یک کابل بدکی برای اتصال به شبکه برق، بایستی به شرکت بوش و یا به نمایندگی مجاز بوش (خدمات پس از فروش) برای ابزار آلات برقی بوش مراجعه کنید تا از بروز خطرات ایمنی جلوگیری بعمل آید.

حفاظ ایمنی خودکار باید همواره آزادانه قابل حرکت باشد و بتواند بطور خودکار بسته شود. از اینرو محدوده حفاظ ایمنی خودکار را همیشه تمیز نگهدارید. گرد و غبار و تراشه ها را با یک قلم مو بردارید.

کاغذ سنباده های بدون پوشش می توانند با یک لایه ی روغن بدون اسید از زنگ زدگی محافظت شوند. پیش از اره کاری، روغن را پاک کنید، زیرا احتمال لک شدن چوب وجود دارد.

صمغ درخت و یا بقایای چسب چوب بر روی تیغه اره باعث کاهش کیفیت برش میشود. از اینرو تیغه اره را بلافاصله پس از استفاده تمیز کنید.

خدمات و مشاوره با مشتریان

دفتر خدمات پس از فروش به سئوالات شما در باره تعمیرات، سرویس و همچنین قطعات یدکی و متعلقات پاسخ خواهد داد. نقشه‌های سه بعدی و اطلاعات در مورد قطعات یدکی را در تارنمای زیر

میباید: www.bosch-pt.com

تیم مشاوره کاربری Bosch به سئوالات شما در مورد محصولات ما و متعلقات آنها پاسخ می دهد.

www.powertool-portal.de. سامانه اینترنتی برای

صنعتگران و مشاغل فنی.

برای انجام یک برش دقیق طبق اندازه، اره را طبق تصویر بر روی قطعه کار قرار دهید. بهتر است یک برش آزمایشی انجام دهید.

راه اندازی و نحوه کاربرد دستگاه

به ولتاژ شبکه برق توجه کنید! ولتاژ منبع جریان برق باید با مقادیر موجود بر روی برچسب ابزار الکتریکی مطابقت داشته باشد. ابزارهای برقی را که با ولتاژ 230 V ولت مشخص شده اند، می توان تحت ولتاژ 220 V ولت نیز بکار برد.

نحوه روشن و خاموش کردن

از فعال کردن کلید قطع و وصل بدون رها کردن دسته مطمئن شوید.

3 601 EA2 0K./3 601 EA2 0L./3 601 EA2 0F.

برای راهاندازی ابزار برقی، کلید قطع و وصل (3) را فشار داده و آنرا در حالت فشرده نگهدارید.

برای ثابت کردن کلید قطع و وصل فشرده شده (3) دکمه ی تثبیت (2) را فشار دهید.

جهت خاموش کردن ابزار برقی، کلید قطع و وصل (3) را رها کنید یا در صورت قفل بودن دکمه تثبیت (2) کلید قطع و وصل (3) را کوتاه فشار دهید و آن را رها کنید.

3 601 EA2 08./3 601 EA2 0B./3 601 EA2 04./

3 601 EA2 00./3 601 EA2 07.

جهت راهاندازی ابزار برقی، ابتدا قفل کلید (2) را فعال کنید و سپس کلید قطع و وصل (3) را فشرده نگهدارید.

برای خاموش کردن ابزار برقی، کلید قطع و وصل (3) را رها کنید.

نکته: بنا به دلایل ایمنی، کلید قطع و وصل (3) را نمی توان تثبیت و قفل کرد، بلکه آنرا باید در حین کار همواره در حالت فشرده نگهداشت.

راهنمائیهای عملی

تیغه های اره را در برابر ضربه و فشار محافظت کنید. ابزار برقی را با فشار کم و متعادل در جهت برش برانید. فشار زیاد از طول عمر ابزارها می کاهد و به ابزار برقی آسیب می رساند.

قدرت برش و کیفیت برش عمدتاً به وضعیت و فرم دندانه های تیغه اره بستگی دارند. از این رو فقط از تیغه های اره تیز و متناسب با جنس قطعه کار مورد نظر استفاده کنید.

نحوه اره کردن چوب

انتخاب صحیح تیغه اره بر حسب نوع چوب، کیفیت چوب و اینکه برش طولی یا برش عرضی صورت میگیرد، انجام میشود.

در برش های طولی چوب کاج، تراشه های طویل و مارپیچ ایجاد میشود.

گرد و غبارهای درخت بلوط و راش برای سلامتی مضر هستند، به همین دلیل تنها با مکنده گرد و غبار کار کنید.

برای هرگونه سؤال و یا سفارش ابزار بدکی و متعلقات، حتماً شماره فنی ده رقمی کالا را مطابق برچسب روی ابزار برقی اطلاع دهید.

ایران

روبرت بوش ایران - شرکت بوش تجارت پارس
میدان ونک، خیابان شهید خدای، خیابان آفتاب
ساختمان مادیران، شماره 3، طبقه سوم.
تهران 1994834571
تلفن: 42039000 +9821

از رده خارج کردن دستگاه

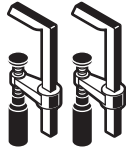
ابزار برقی، متعلقات و بسته بندی آن، باید طبق مقررات حفظ محیط زیست از رده خارج و بازیافت شوند.

ابزارهای برقی را داخل زباله دان خانگی نیاندازید!

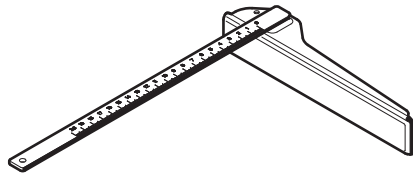


فقط برای کشورهای عضو اتحادیه اروپا:

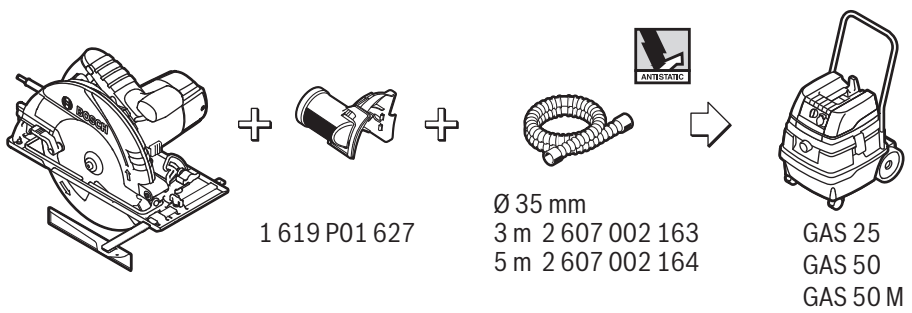
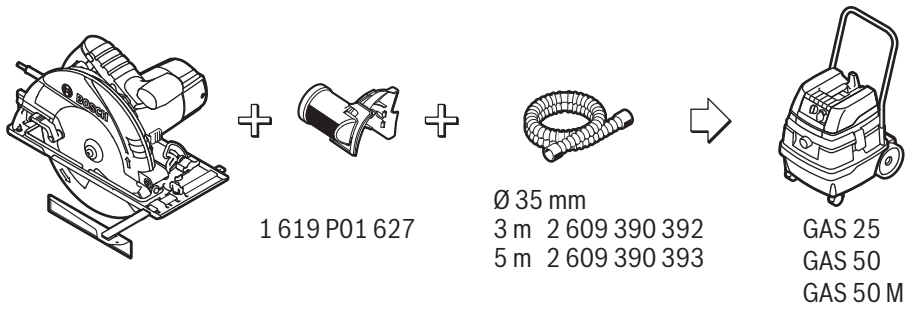
طبق آئین نامه و دستورالعمل اروپائی EU/2012/19 در باره دستگاههای کهنه الکتریکی و الکترونیکی و تبدیل آن به حق ملی، باید ابزارهای برقی غیرقابل استفاده را جداگانه جمع آوری کرد و نسبت به بازیافت مناسب با محیط زیست اقدام بعمل آورد.



1 607 960 008

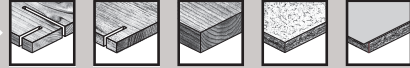


1 608 190 007



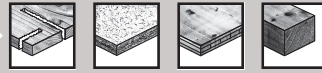


optiline
WOOD



speedline
WOOD

fast
CUT



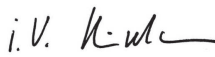


CONSTRUCT
WOOD

fast
CUT



CE

en	EU Declaration of Conformity	We declare under our sole responsibility that the stated products comply with all applicable provisions of the directives and regulations listed below and are in conformity with the following standards. Technical file at: *	
	Hand-held circular saw	Article number	
fr	Déclaration de conformité UE	Nous déclarons sous notre propre responsabilité que les produits décrits sont en conformité avec les directives, règlements normatifs et normes énumérés ci-dessous. Dossier technique auprès de : *	
	Scie circulaire à main	N° d'article	
pt	Declaração de Conformidade UE	Declaramos sob nossa exclusiva responsabilidade que os produtos mencionados cumprem todas as disposições e os regulamentos indicados e estão em conformidade com as seguintes normas. Documentação técnica pertencente à: *	
	Serra circular manual	N.º do produto	
tr	AB Uygunluk beyanı	Tek sorumlu olarak, tanımlanan ürünün aşağıdaki yönetmelik ve direktiflerin geçerli bütün hükümlerine ve aşağıdaki standartlara uygun olduğunu beyan ederiz. Teknik belgelerin bulunduğu yer: *	
	Daire testere	Ürün kodu	
	GKS 235 Turbo	3 601 EA2 0..	2006/42/EC
	GKS 235 Turbo	3 601 EA2 0B.	2014/30/EU
	GKS 9	3 601 EA2 00.	2011/65/EU
	GKS 9	3 601 EA2 07.	
			EN 62841-1:2015 EN 62841-2-5:2014 EN 55014-1:2006+A1:2009+A2:2011 EN 55014-2:2015 EN 61000-3-2:2014 EN 61000-3-3:2013 EN 50581:2012
			 BOSCH
			* Robert Bosch Power Tools GmbH (PT/ECS) 70538 Stuttgart GERMANY
			Henk Becker Executive Vice President Engineering and Manufacturing
			Helmut Heinzelmann Head of Product Certification
			 
			Robert Bosch Power Tools GmbH, 70538 Stuttgart, GERMANY Stuttgart, 19.09.2018