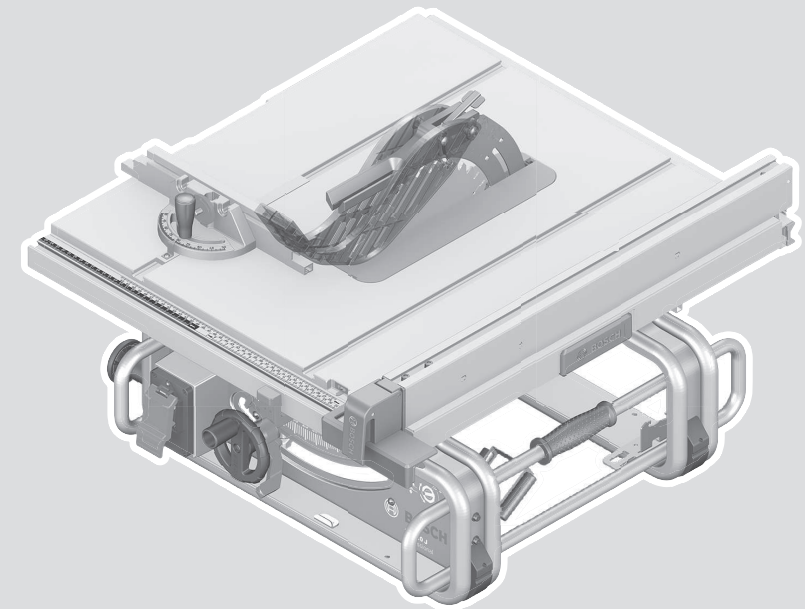




GTS 10 J Professional **HEAVY DUTY**



Robert Bosch Power Tools GmbH
70538 Stuttgart
GERMANY

www.bosch-pt.com

1 609 92A 5P7 (2020.09) PS / 105

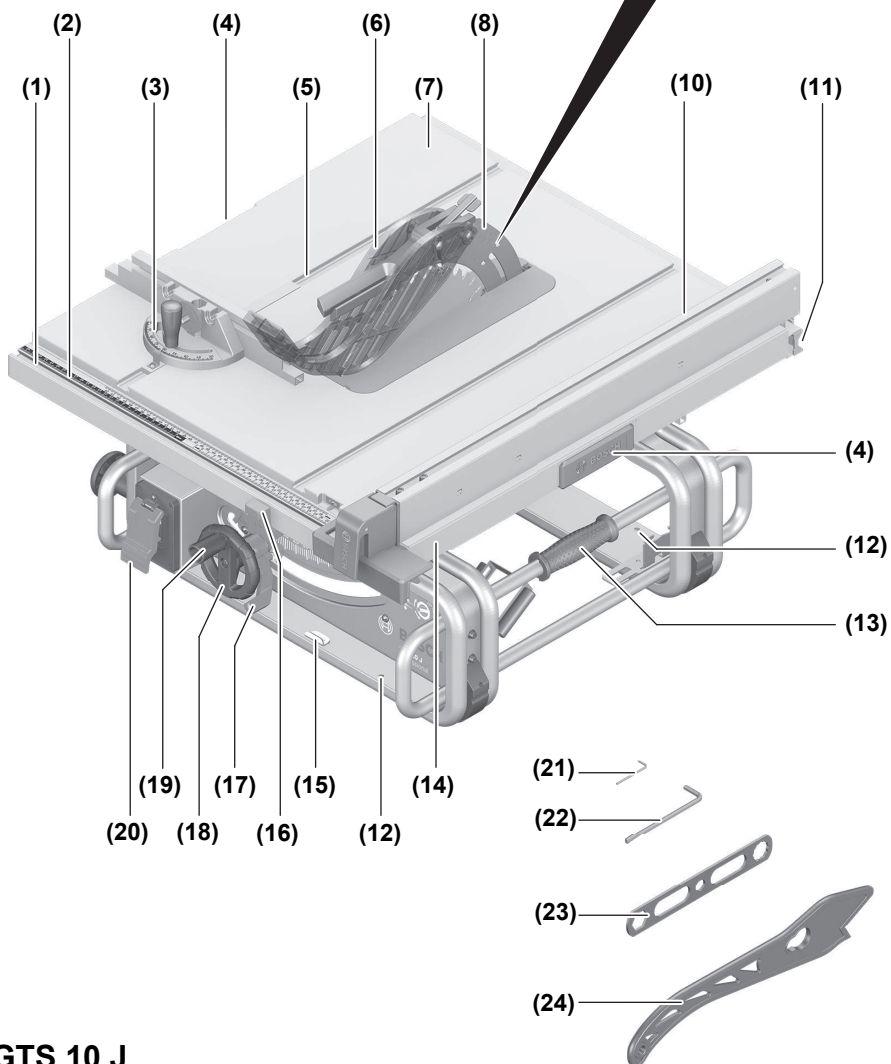
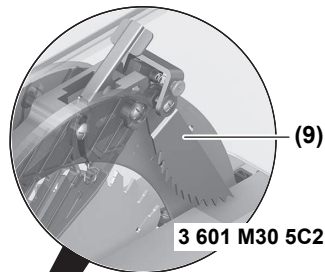


1 609 92A 5P7

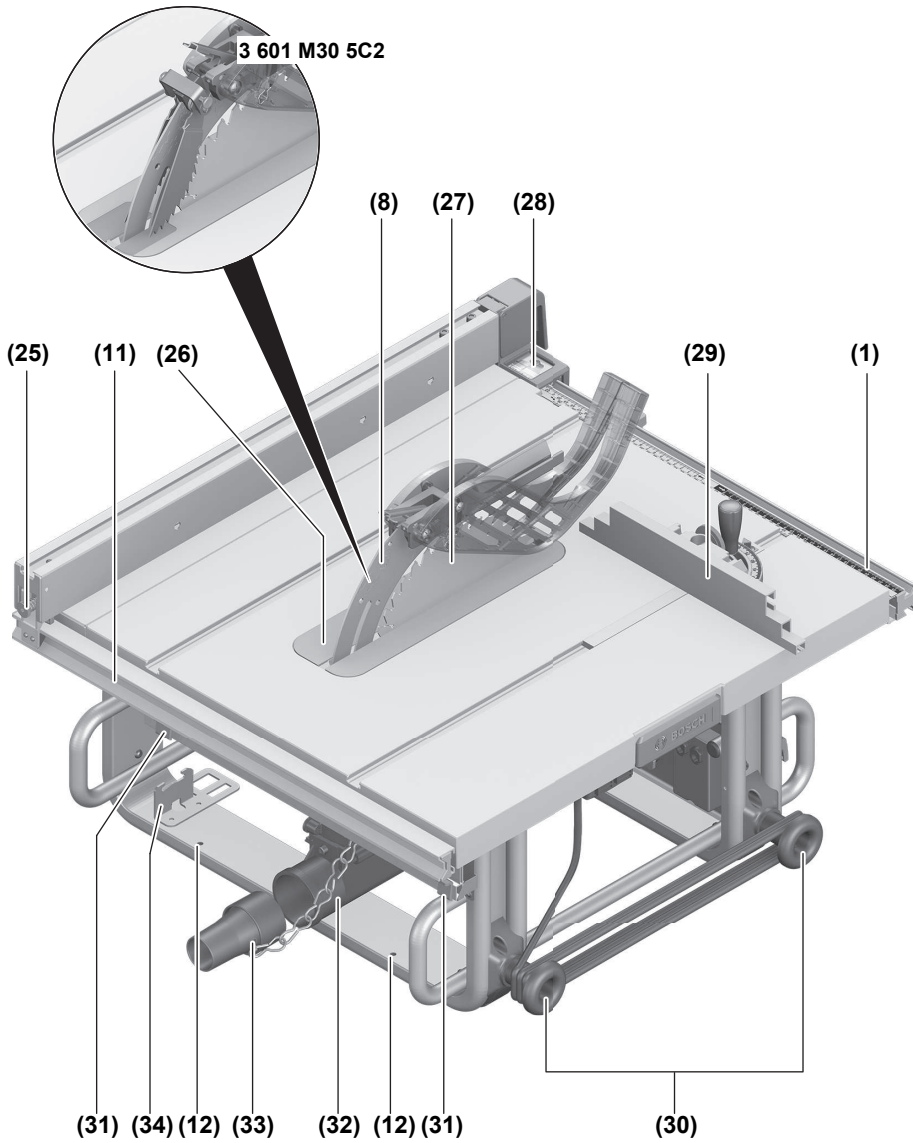
- en Original instructions
- zh 正本使用说明书
- zh 原始使用說明書
- ko 사용 설명서 원본
- th หนังสือคู่มือการใช้งานฉบับต้นแบบ
- id Petunjuk-Petunjuk untuk Penggunaan Orisinal
- vi Bản gốc hướng dẫn sử dụng

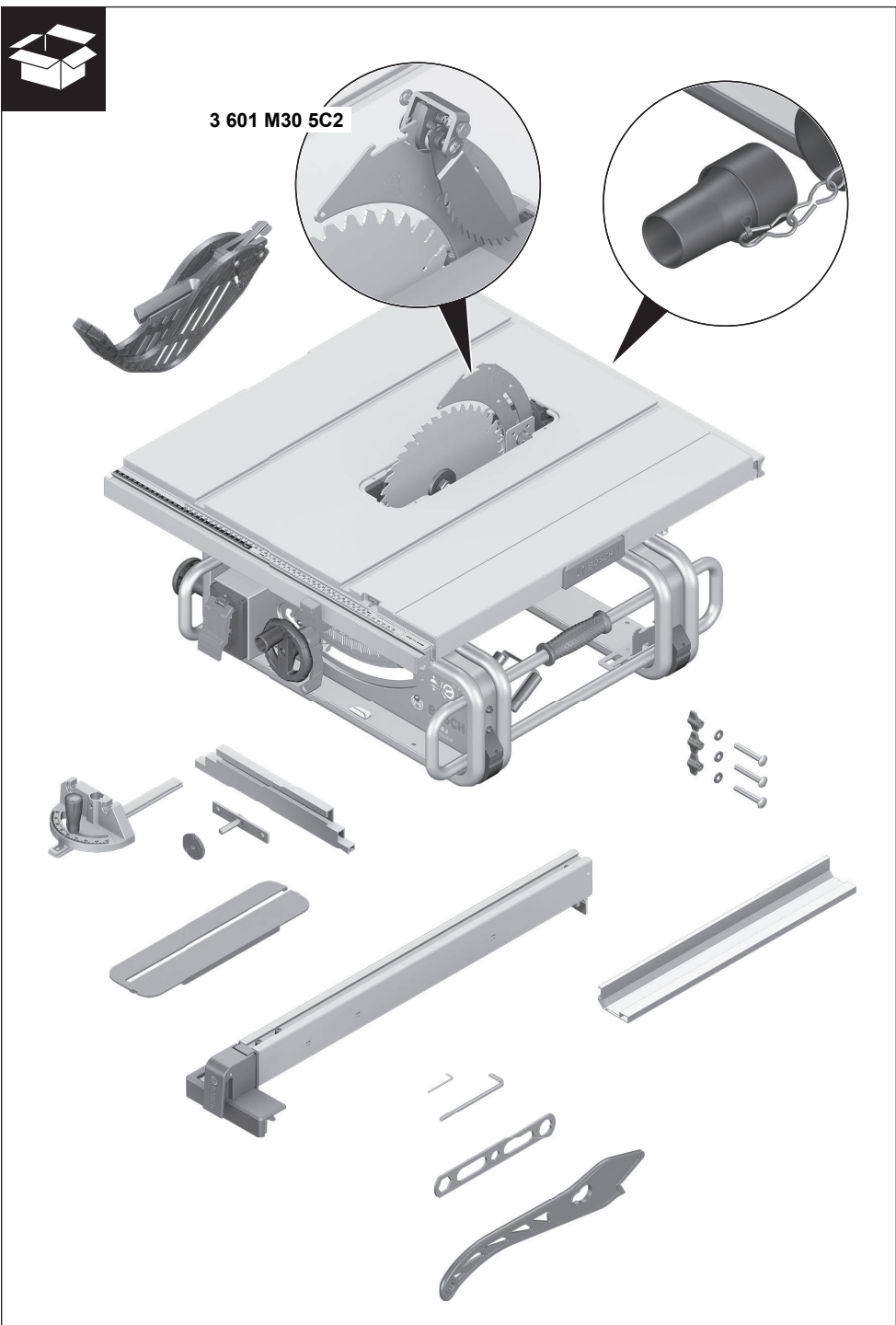


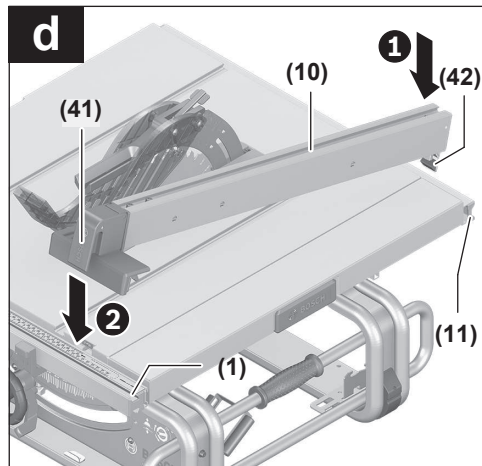
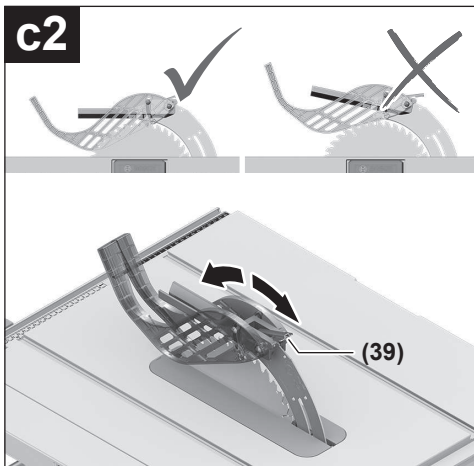
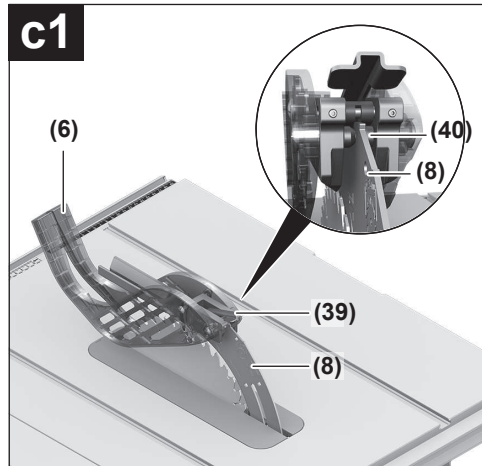
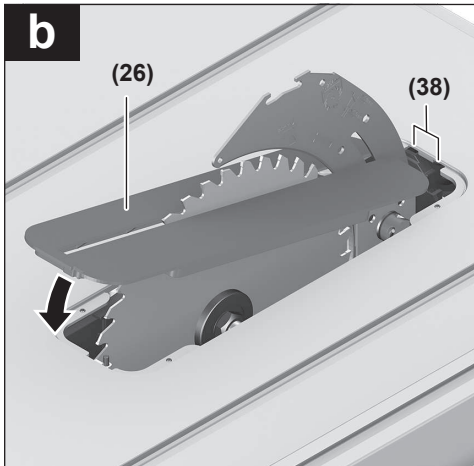
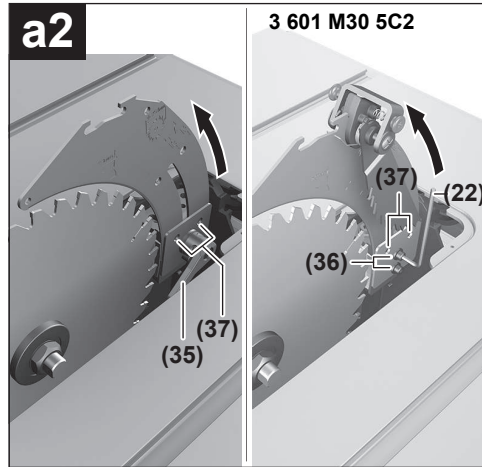
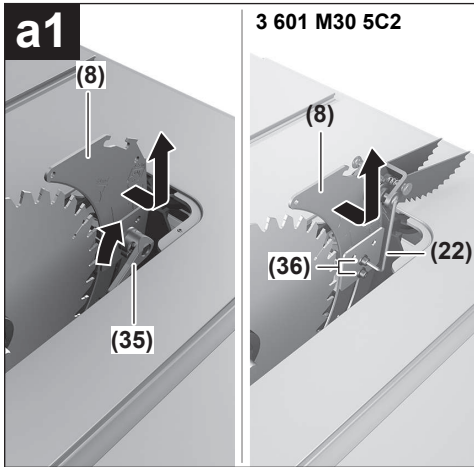
| | | |
|------------------------|---------|----|
| English | Page | 15 |
| 中文 | 页 | 27 |
| 繁體中文 | 頁 | 38 |
| 한국어 | 페이지 | 48 |
| ไทย | หน้า | 61 |
| Bahasa Indonesia | Halaman | 77 |
| Tiếng Việt | Trang | 91 |

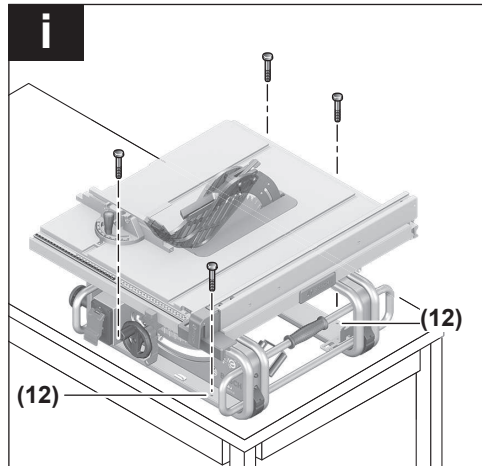
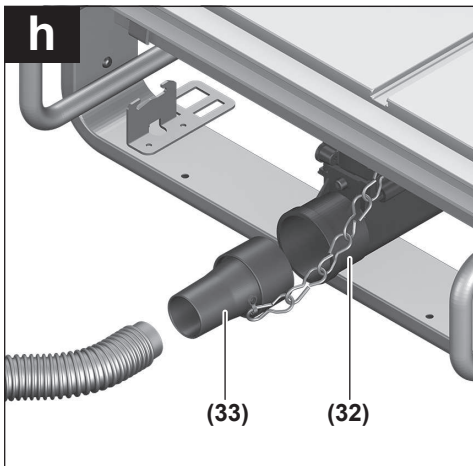
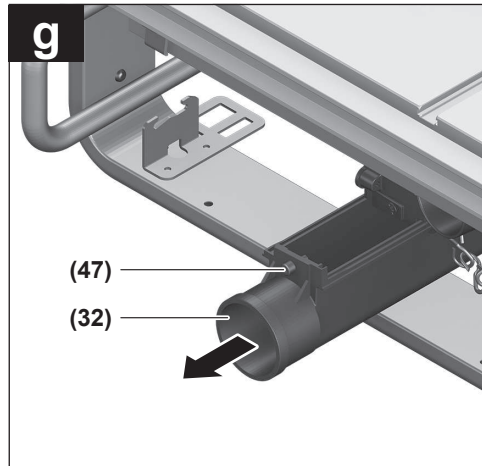
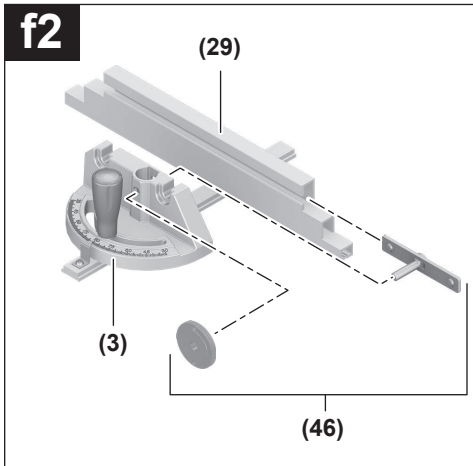
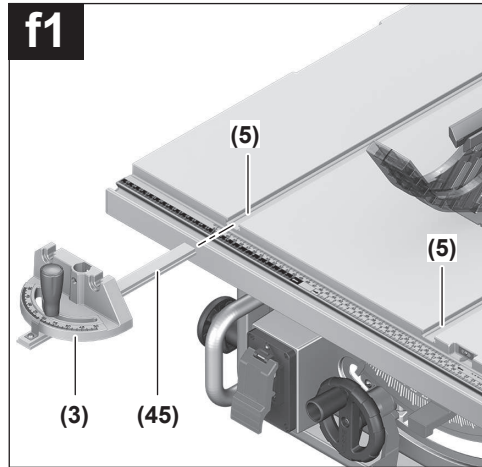
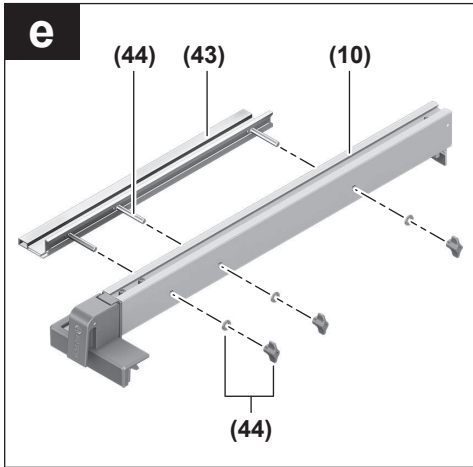


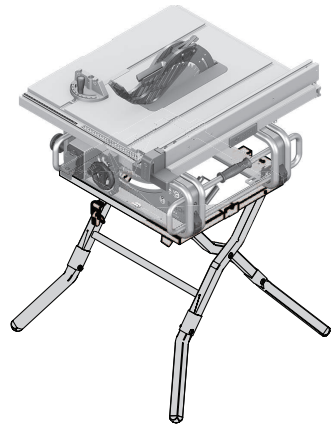
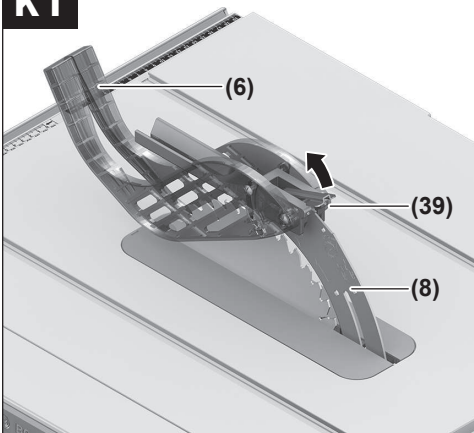
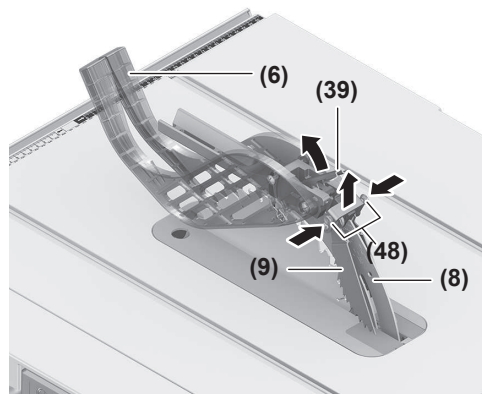
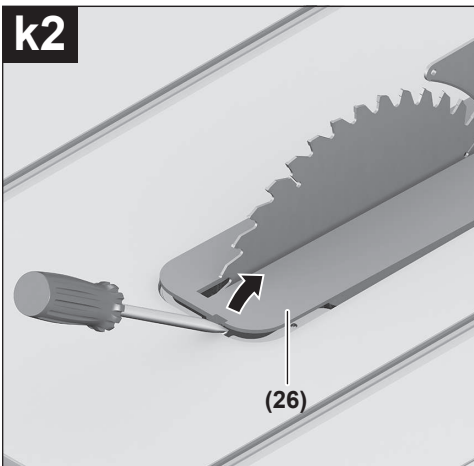
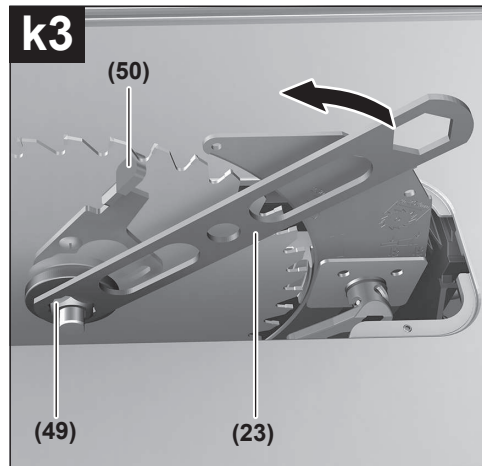
GTS 10 J

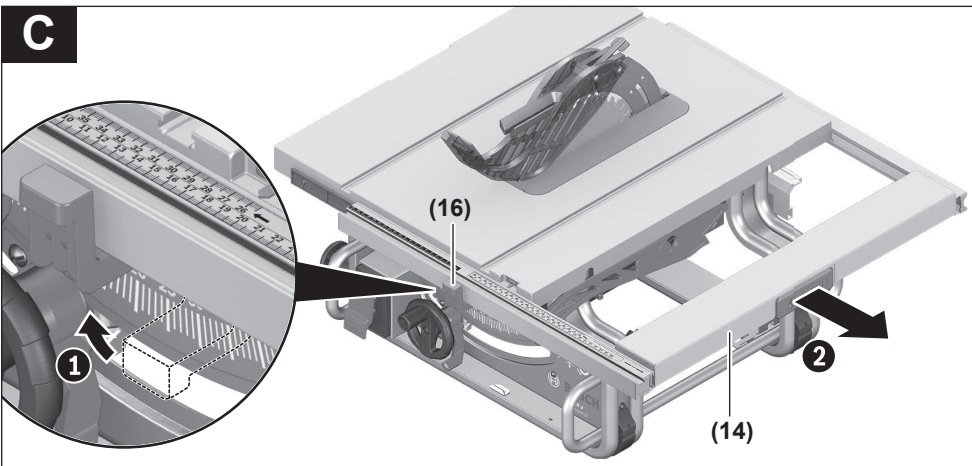
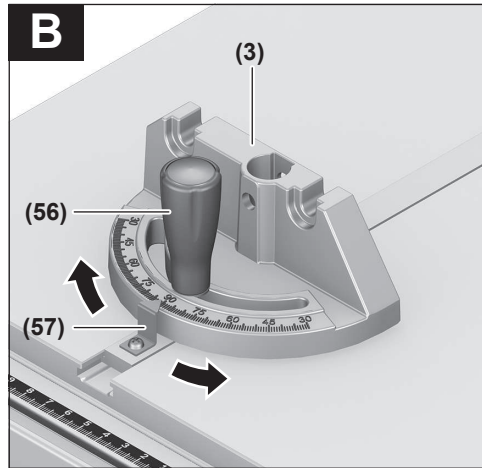
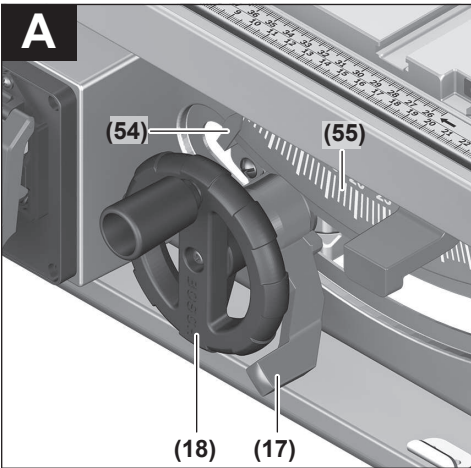
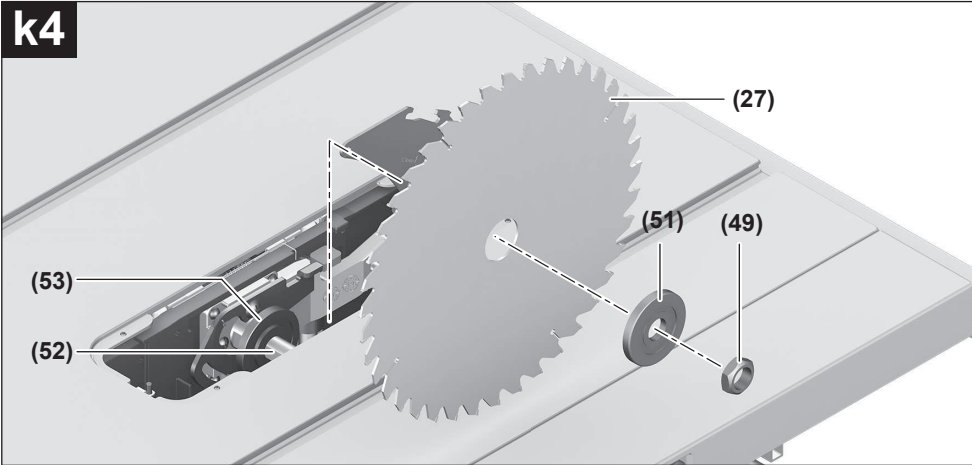


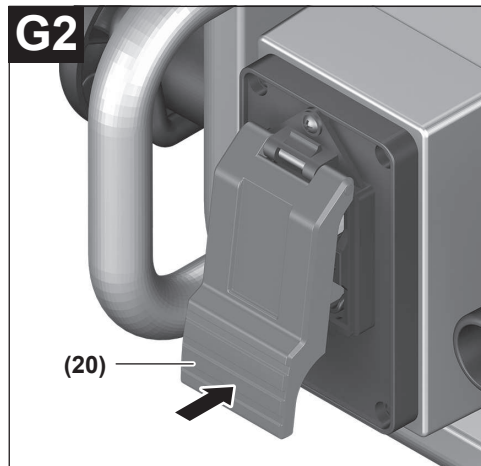
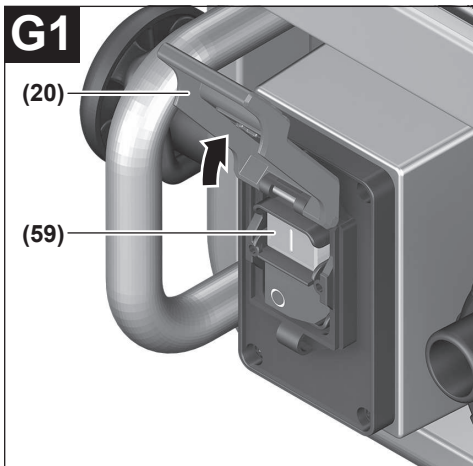
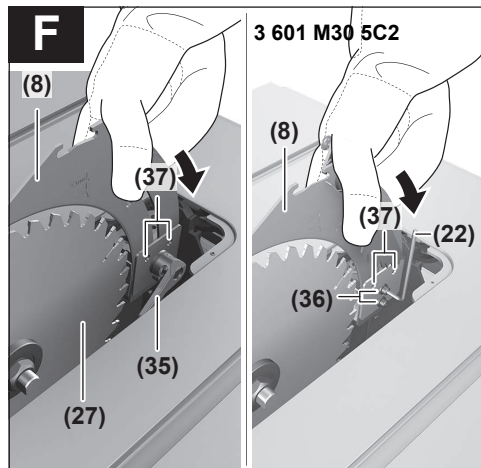
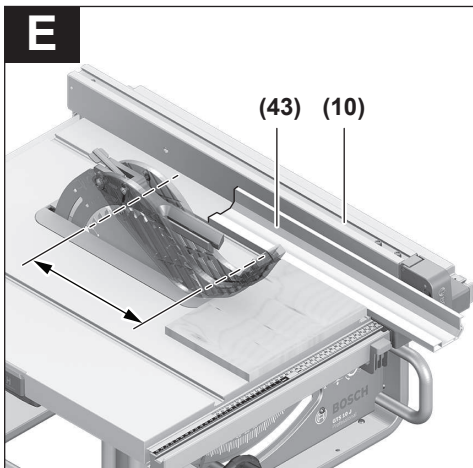
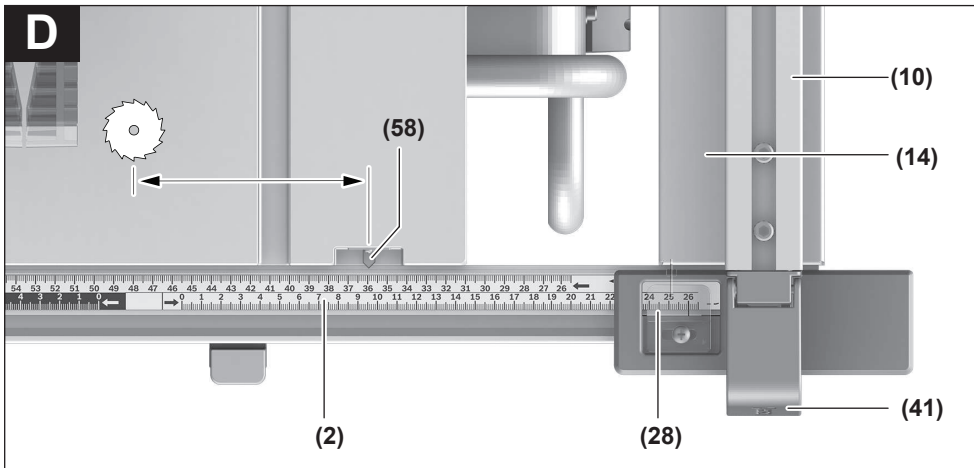


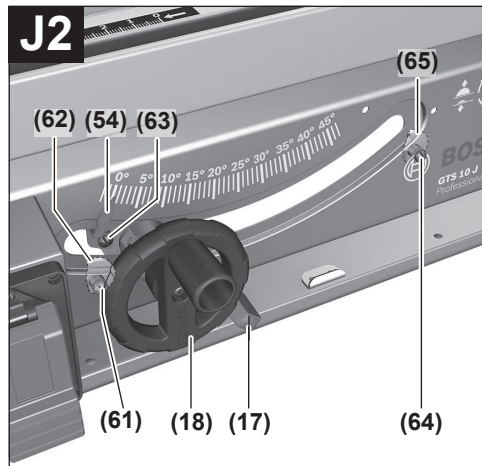
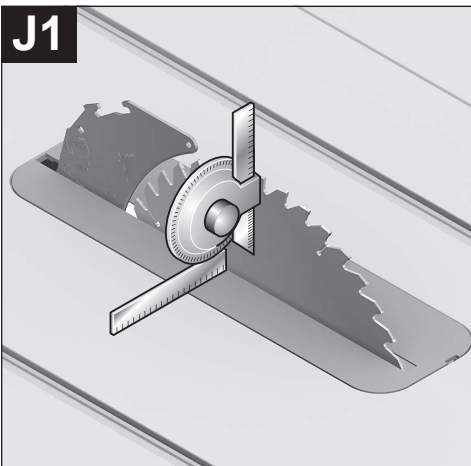
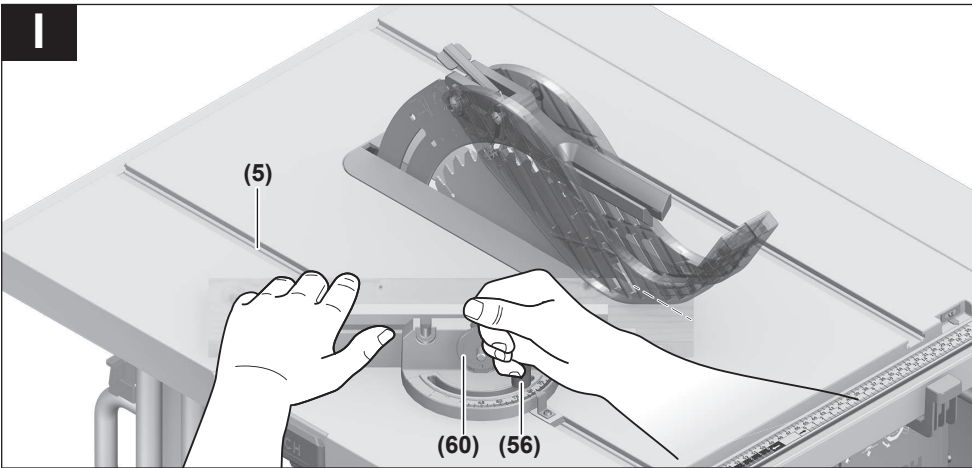
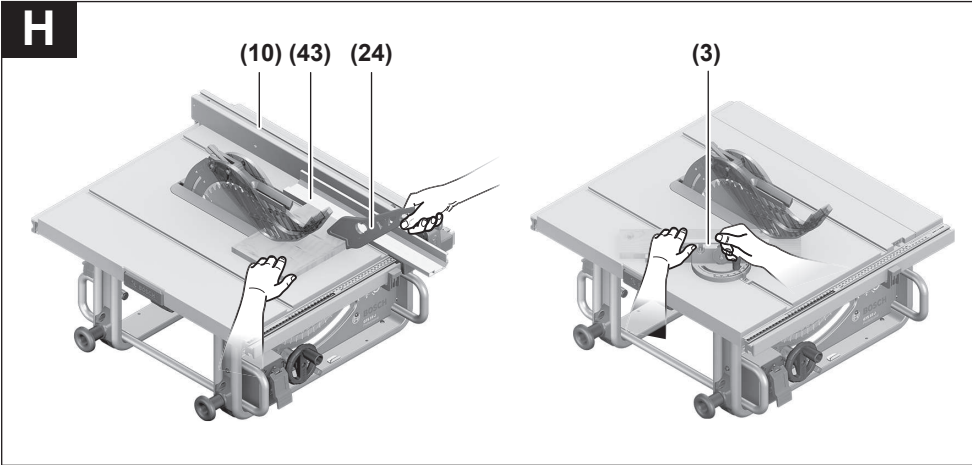


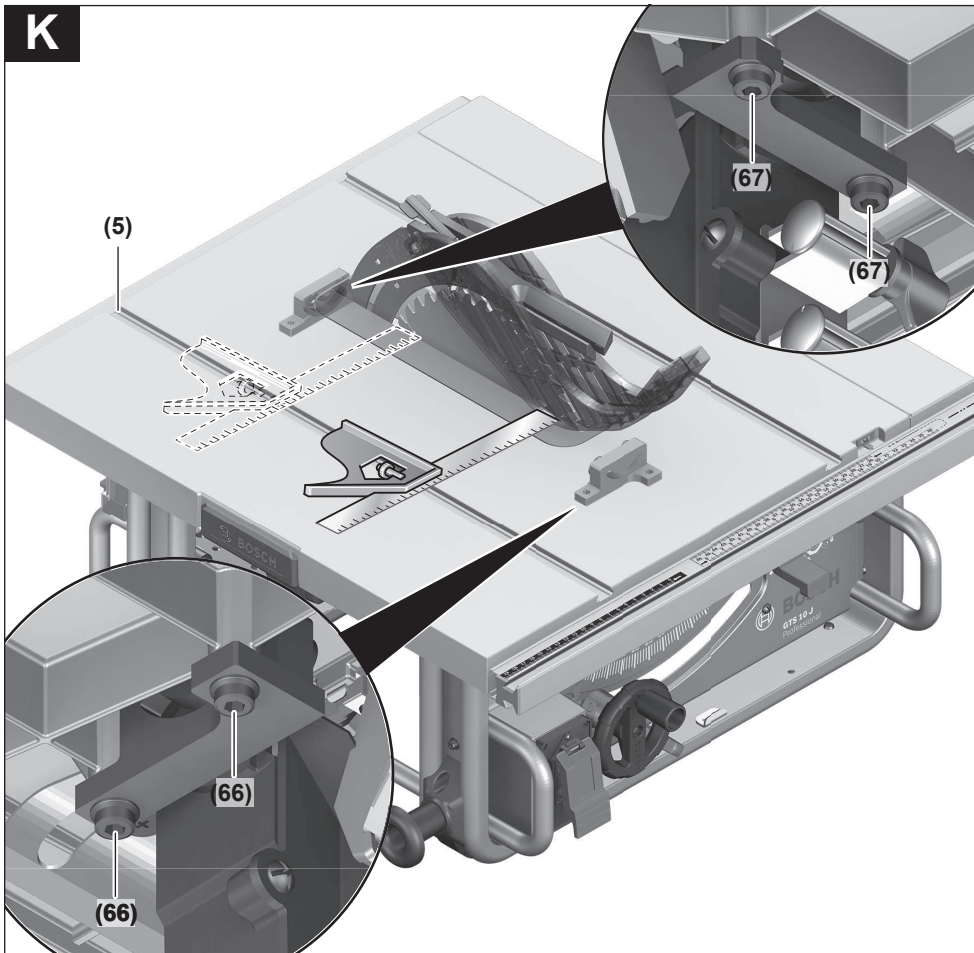
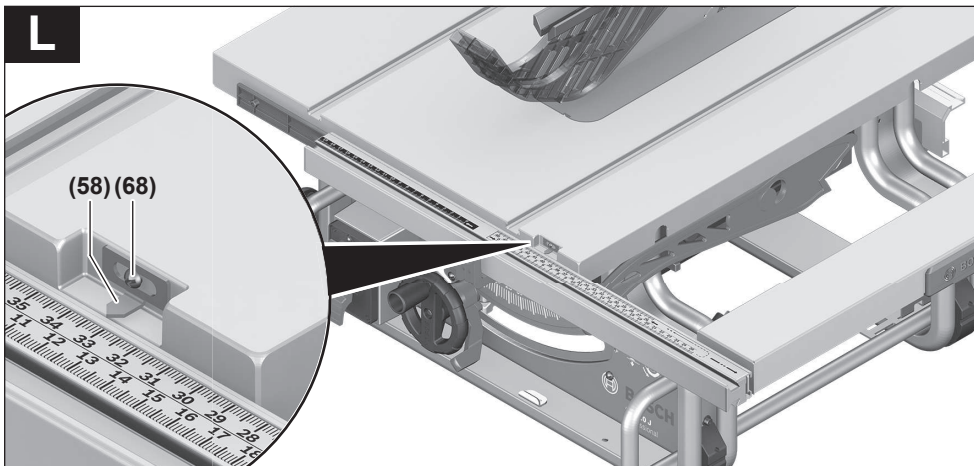


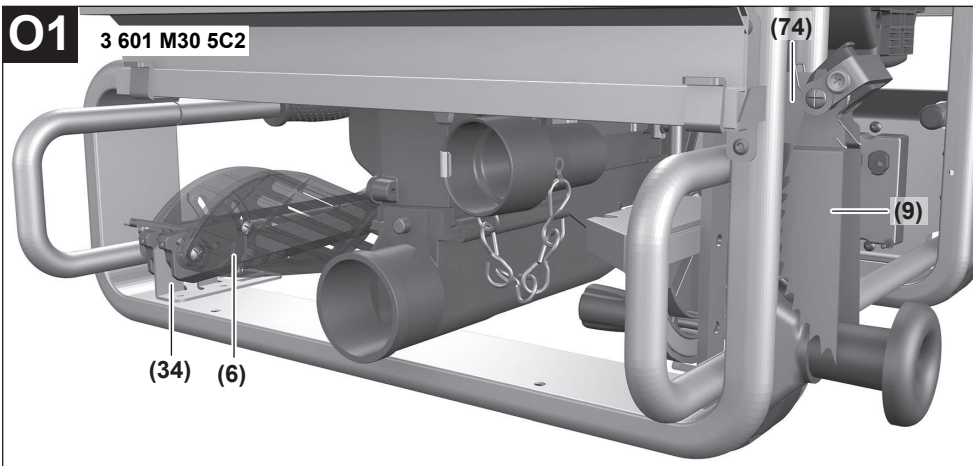
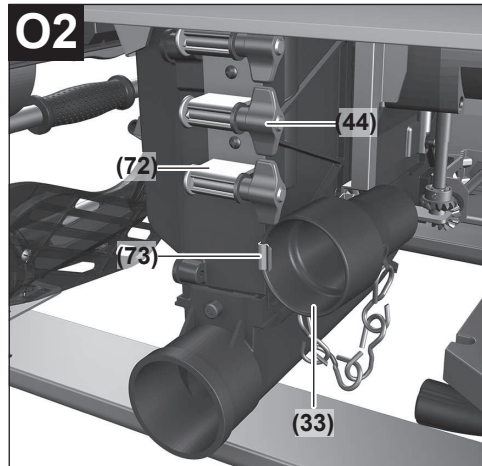
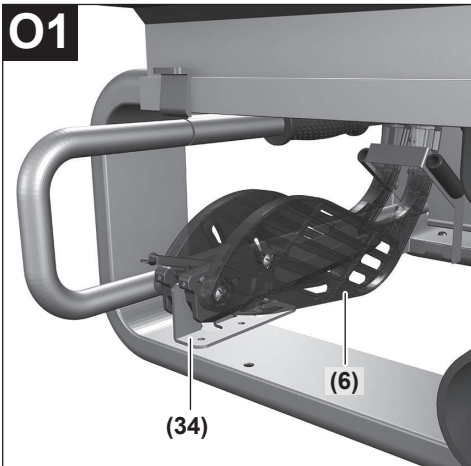
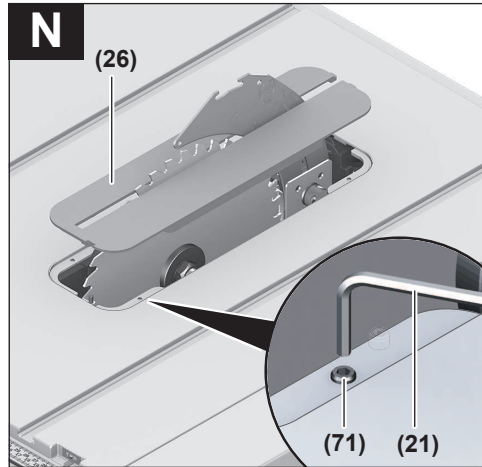
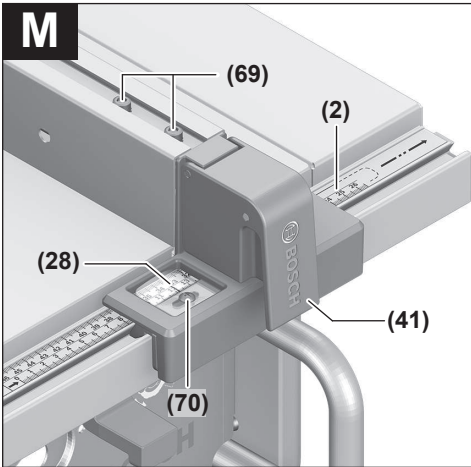
j**k1****3 601 M30 5C2****k2****k3**

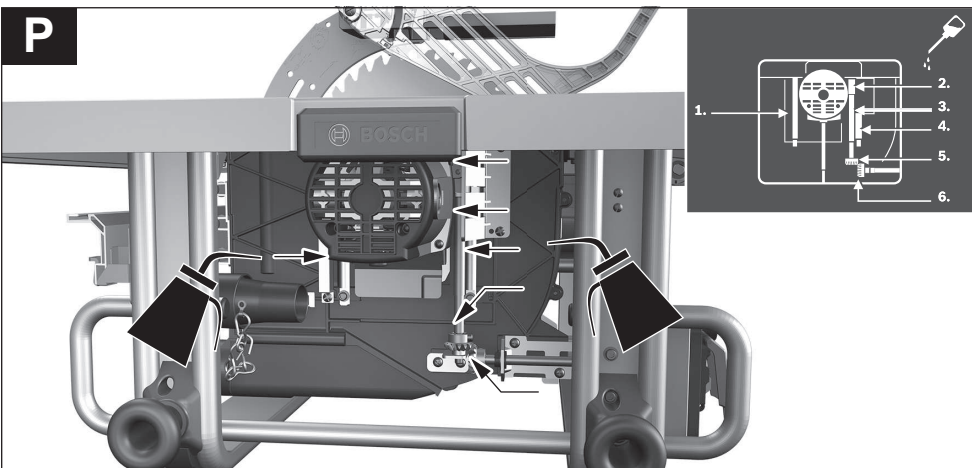
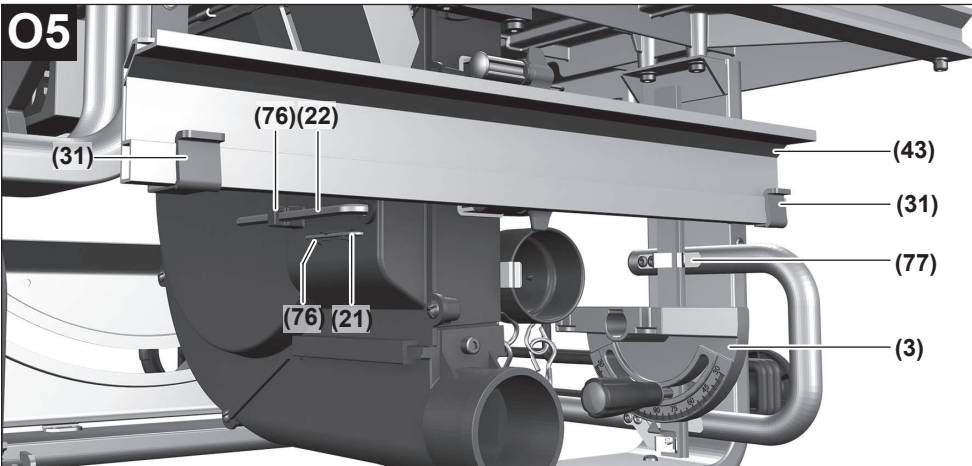
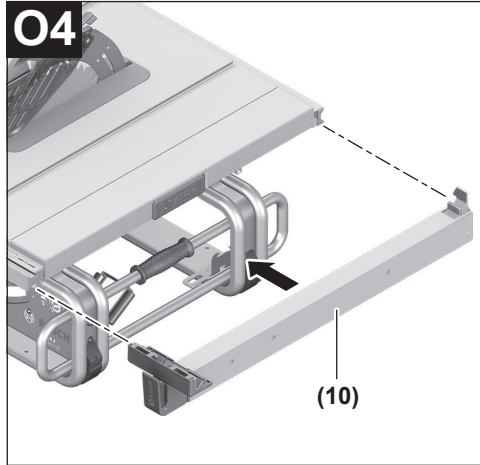
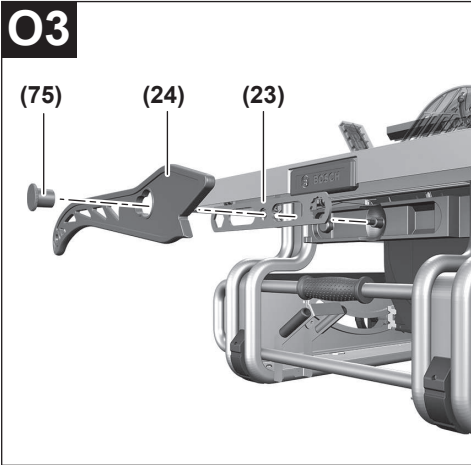






K**L**





English

Safety instructions

General Power Tool Safety Warnings

⚠ WARNING Read all safety warnings, instructions, illustrations and specifications provided with this power tool. Failure to follow all instructions listed below may result in electric shock, fire and/or serious injury.

Save all warnings and instructions for future reference.

The term "power tool" in the warnings refers to your mains-operated (corded) power tool or battery-operated (cordless) power tool.

Work area safety

- ▶ **Keep work area clean and well lit.** Cluttered or dark areas invite accidents.
- ▶ **Do not operate power tools in explosive atmospheres, such as in the presence of flammable liquids, gases or dust.** Power tools create sparks which may ignite the dust or fumes.
- ▶ **Keep children and bystanders away while operating a power tool.** Distractions can cause you to lose control.

Electrical safety

- ▶ **Power tool plugs must match the outlet. Never modify the plug in any way. Do not use any adapter plugs with earthed (grounded) power tools.** Unmodified plugs and matching outlets will reduce risk of electric shock.
- ▶ **Avoid body contact with earthed or grounded surfaces, such as pipes, radiators, ranges and refrigerators.** There is an increased risk of electric shock if your body is earthed or grounded.
- ▶ **Do not expose power tools to rain or wet conditions.** Water entering a power tool will increase the risk of electric shock.
- ▶ **Do not abuse the cord. Never use the cord for carrying, pulling or unplugging the power tool. Keep cord away from heat, oil, sharp edges or moving parts.** Damaged or entangled cords increase the risk of electric shock.
- ▶ **When operating a power tool outdoors, use an extension cord suitable for outdoor use.** Use of a cord suitable for outdoor use reduces the risk of electric shock.
- ▶ **If operating a power tool in a damp location is unavoidable, use a residual current device (RCD) protected supply.** Use of an RCD reduces the risk of electric shock.

Personal safety

- ▶ **Stay alert, watch what you are doing and use common sense when operating a power tool. Do not use a power tool while you are tired or under the influence of drugs, alcohol or medication.** A moment of inatten-

tion while operating power tools may result in serious personal injury.

- ▶ **Use personal protective equipment. Always wear eye protection.** Protective equipment such as a dust mask, non-skid safety shoes, hard hat or hearing protection used for appropriate conditions will reduce personal injuries.
- ▶ **Prevent unintentional starting. Ensure the switch is in the off-position before connecting to power source and/or battery pack, picking up or carrying the tool.** Carrying power tools with your finger on the switch or energising power tools that have the switch on invites accidents.
- ▶ **Remove any adjusting key or wrench before turning the power tool on.** A wrench or a key left attached to a rotating part of the power tool may result in personal injury.
- ▶ **Do not overreach. Keep proper footing and balance at all times.** This enables better control of the power tool in unexpected situations.
- ▶ **Dress properly. Do not wear loose clothing or jewellery. Keep your hair and clothing away from moving parts.** Loose clothes, jewellery or long hair can be caught in moving parts.
- ▶ **If devices are provided for the connection of dust extraction and collection facilities, ensure these are connected and properly used.** Use of dust collection can reduce dust-related hazards.
- ▶ **Do not let familiarity gained from frequent use of tools allow you to become complacent and ignore tool safety principles.** A careless action can cause severe injury within a fraction of a second.

Power tool use and care

- ▶ **Do not force the power tool. Use the correct power tool for your application.** The correct power tool will do the job better and safer at the rate for which it was designed.
- ▶ **Do not use the power tool if the switch does not turn it on and off.** Any power tool that cannot be controlled with the switch is dangerous and must be repaired.
- ▶ **Disconnect the plug from the power source and/or remove the battery pack, if detachable, from the power tool before making any adjustments, changing accessories, or storing power tools.** Such preventive safety measures reduce the risk of starting the power tool accidentally.
- ▶ **Store idle power tools out of the reach of children and do not allow persons unfamiliar with the power tool or these instructions to operate the power tool.** Power tools are dangerous in the hands of untrained users.
- ▶ **Maintain power tools and accessories. Check for misalignment or binding of moving parts, breakage of parts and any other condition that may affect the power tool's operation. If damaged, have the power tool repaired before use.** Many accidents are caused by poorly maintained power tools.

- ▶ **Keep cutting tools sharp and clean.** Properly maintained cutting tools with sharp cutting edges are less likely to bind and are easier to control.
- ▶ **Use the power tool, accessories and tool bits etc. in accordance with these instructions, taking into account the working conditions and the work to be performed.** Use of the power tool for operations different from those intended could result in a hazardous situation.
- ▶ **Keep handles and grasping surfaces dry, clean and free from oil and grease.** Slippery handles and grasping surfaces do not allow for safe handling and control of the tool in unexpected situations.

Service


- ▶ **Have your power tool serviced by a qualified repair person using only identical replacement parts.** This will ensure that the safety of the power tool is maintained.

Safety instructions for table saws

Guarding related warnings

- ▶ **Keep guards in place. Guards must be in working order and be properly mounted.** A guard that is loose, damaged, or is not functioning correctly must be repaired or replaced.
- ▶ **Always use saw blade guard, riving knife and anti-kickback device for every through-cutting operation.** For through-cutting operations where the saw blade cuts completely through the thickness of the workpiece, the guard and other safety devices help reduce the risk of injury.
- ▶ **Immediately reattach the guarding system after completing an operation (such as rabbeting, dadoing or resawing cuts) which requires removal of the guard, riving knife and/or anti-kickback device.** The guard, riving knife and anti-kickback device help to reduce the risk of injury.
- ▶ **Make sure the saw blade is not contacting the guard, riving knife or the workpiece before the switch is turned on.** Inadvertent contact of these items with the saw blade could cause a hazardous condition.
- ▶ **Adjust the riving knife as described in this instruction manual.** Incorrect spacing, positioning and alignment can make the riving knife ineffective in reducing the likelihood of kickback.
- ▶ **For the riving knife and anti-kickback device to work, they must be engaged in the workpiece.** The riving knife and anti-kickback device are ineffective when cutting workpieces that are too short to be engaged with the riving knife and anti-kickback device. Under these conditions a kickback cannot be prevented by the riving knife and anti-kickback device.
- ▶ **Use the appropriate saw blade for the riving knife.** For the riving knife to function properly, the saw blade diameter must match the appropriate riving knife and the body of the saw blade must be thinner than the thickness of the riving knife and the cutting width of the saw blade must be wider than the thickness of the riving knife.

Cutting procedures warnings

- ▶  **DANGER: Never place your fingers or hands in the vicinity or in line with the saw blade.** A moment of inattention or a slip could direct your hand towards the saw blade and result in serious personal injury.
- ▶ **Feed the workpiece into the saw blade only against the direction of rotation.** Feeding the workpiece in the same direction that the saw blade is rotating above the table may result in the workpiece, and your hand, being pulled into the saw blade.
- ▶ **Never use the mitre gauge to feed the workpiece when ripping and do not use the rip fence as a length stop when cross cutting with the mitre gauge.** Guiding the workpiece with the rip fence and the mitre gauge at the same time increases the likelihood of saw blade binding and kickback.
- ▶ **When ripping, always apply the workpiece feeding force between the fence and the saw blade. Use a push stick when the distance between the fence and the saw blade is less than 150mm, and use a push block when this distance is less than 50 mm.** "Work helping" devices will keep your hand at a safe distance from the saw blade.
- ▶ **Use only the push stick provided by the manufacturer or constructed in accordance with the instructions.** This push stick provides sufficient distance of the hand from the saw blade.
- ▶ **Never use a damaged or cut push stick.** A damaged push stick may break causing your hand to slip into the saw blade.
- ▶ **Do not perform any operation "freehand". Always use either the rip fence or the mitre gauge to position and guide the workpiece.** "Freehand" means using your hands to support or guide the workpiece, in lieu of a rip fence or mitre gauge. Freehand sawing leads to misalignment, binding and kickback.
- ▶ **Never reach around or over a rotating saw blade.** Reaching for a workpiece may lead to accidental contact with the moving saw blade.
- ▶ **Provide auxiliary workpiece support to the rear and/or sides of the saw table for long and/or wide workpieces to keep them level.** A long and/or wide workpiece has a tendency to pivot on the table's edge, causing loss of control, saw blade binding and kickback.
- ▶ **Feed workpiece at an even pace. Do not bend or twist the workpiece. If jamming occurs, turn the tool off immediately, unplug the tool then clear the jam.** Jamming the saw blade by the workpiece can cause kickback or stall the motor.
- ▶ **Do not remove pieces of cut-off material while the saw is running.** The material may become trapped between the fence or inside the saw blade guard and the saw blade pulling your fingers into the saw blade. Turn the saw off and wait until the saw blade stops before removing material.

- ▶ **Use an auxiliary fence in contact with the table top when ripping workpieces less than 2 mm thick.** A thin workpiece may wedge under the rip fence and create a kickback.

Kickback causes and related warnings

Kickback is a sudden reaction of the workpiece due to a pinched, jammed saw blade or misaligned line of cut in the workpiece with respect to the saw blade or when a part of the workpiece binds between the saw blade and the rip fence or other fixed object.

Most frequently during kickback, the workpiece is lifted from the table by the rear portion of the saw blade and is propelled towards the operator.

Kickback is the result of saw misuse and/or incorrect operating procedures or conditions and can be avoided by taking proper precautions as given below.

- ▶ **Never stand directly in line with the saw blade. Always position your body on the same side of the saw blade as the fence.** Kickback may propel the workpiece at high velocity towards anyone standing in front and in line with the saw blade.
- ▶ **Never reach over or in back of the saw blade to pull or to support the workpiece.** Accidental contact with the saw blade may occur or kickback may drag your fingers into the saw blade.
- ▶ **Never hold and press the workpiece that is being cut off against the rotating saw blade.** Pressing the workpiece being cut off against the saw blade will create a binding condition and kickback.
- ▶ **Align the fence to be parallel with the saw blade.** A misaligned fence will pinch the workpiece against the saw blade and create kickback.
- ▶ **Use a featherboard to guide the workpiece against the table and fence when making non-through cuts such as rabbeting, dadoing or resawing cuts.** A featherboard helps to control the workpiece in the event of a kickback.
- ▶ **Support large panels to minimise the risk of saw blade pinching and kickback.** Large panels tend to sag under their own weight. Support(s) must be placed under all portions of the panel overhanging the table top.
- ▶ **Use extra caution when cutting a workpiece that is twisted, knotted, warped or does not have a straight edge to guide it with a mitre gauge or along the fence.** A warped, knotted, or twisted workpiece is unstable and causes misalignment of the kerf with the saw blade, binding and kickback.
- ▶ **Never cut more than one workpiece, stacked vertically or horizontally.** The saw blade could pick up one or more pieces and cause kickback.
- ▶ **When restarting the saw with the saw blade in the workpiece, centre the saw blade in the kerf so that the saw teeth are not engaged in the material.** If the saw blade binds, it may lift up the workpiece and cause kickback when the saw is restarted.
- ▶ **Keep saw blades clean, sharp, and with sufficient set. Never use warped saw blades or saw blades with**

cracked or broken teeth. Sharp and properly set saw blades minimise binding, stalling and kickback.

Table saw operating procedure warnings

- ▶ **Turn off the table saw and disconnect the power cord when removing the table insert, changing the saw blade or making adjustments to the riving knife, anti-kickback device or saw blade guard, and when the machine is left unattended.** Precautionary measures will avoid accidents.
- ▶ **Never leave the table saw running unattended. Turn it off and don't leave the tool until it comes to a complete stop.** An unattended running saw is an uncontrolled hazard.
- ▶ **Locate the table saw in a well-lit and level area where you can maintain good footing and balance. It should be installed in an area that provides enough room to easily handle the size of your workpiece.** Cramped, dark areas, and uneven slippery floors invite accidents.
- ▶ **Frequently clean and remove sawdust from under the saw table and/or the dust collection device.** Accumulated sawdust is combustible and may self-ignite.
- ▶ **The table saw must be secured.** A table saw that is not properly secured may move or tip over.
- ▶ **Remove tools, wood scraps, etc. from the table before the table saw is turned on.** Distraction or a potential jam can be dangerous.
- ▶ **Always use saw blades with correct size and shape (diamond versus round) of arbour holes.** Saw blades that do not match the mounting hardware of the saw will run off-centre, causing loss of control.
- ▶ **Never use damaged or incorrect saw blade mounting means such as flanges, saw blade washers, bolts or nuts.** These mounting means were specially designed for your saw, for safe operation and optimum performance.
- ▶ **Never stand on the table saw, do not use it as a stepping stool.** Serious injury could occur if the tool is tipped or if the cutting tool is accidentally contacted.
- ▶ **Make sure that the saw blade is installed to rotate in the proper direction. Do not use grinding wheels, wire brushes, or abrasive wheels on a table saw.** Improper saw blade installation or use of accessories not recommended may cause serious injury.

Additional safety warnings

- ▶ **When mounting the saw blade, wear protective gloves.** This poses a risk of injury.
- ▶ **Do not use HSS saw blades.** Such saw blades can easily break.
- ▶ **Never use the tool without the table insert. Replace table insert if defective.** Without flawless table inserts, injuries are possible from the saw blade.
- ▶ **Keep your work area clean.** Material mixtures are particularly hazardous. Light metal dust may catch fire or explode.

- ▶ **Choose the saw blade suited to the material you want to work on.**
- ▶ **Only use saw blades that match the specifications given in this operating manual and that are tested and marked in accordance with EN 847-1**
- ▶ **Only use saw blades that are recommended by the power tool manufacturer and are suitable for using on the material you want to saw.**
- ▶ **Only advance the workpiece towards the saw blade when it is running.** Otherwise there is a risk of kickback occurring if the saw blade catches in the workpiece.

Products sold in GB only:

Your product is fitted with an BS 1363/A approved electric plug with internal fuse (ASTA approved to BS 1362).

If the plug is not suitable for your socket outlets, it should be cut off and an appropriate plug fitted in its place by an authorised customer service agent. The replacement plug should have the same fuse rating as the original plug.

The severed plug must be disposed of to avoid a possible shock hazard and should never be inserted into a mains socket elsewhere.

Symbols

The following symbols may be important for the operation of your power tool. Please take note of these symbols and their meaning. Correctly interpreting the symbols will help you to operate the power tool more effectively and safely.

Symbols and their meaning



Keep hands away from the cutting area while the power tool is running. Contact with the saw blade can lead to injuries.



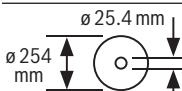
Wear a dust mask.



Wear hearing protection. Exposure to noise can cause hearing loss.



Wear safety goggles.

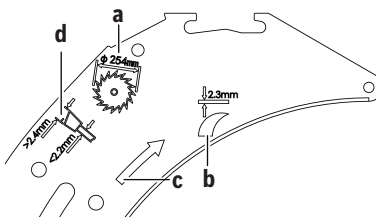


Take note of the dimensions of the saw blade. The hole diameter must fit the tool spindle without play. If it is necessary to use reducers, ensure that the dimensions of the re-

Symbols and their meaning

ducers are suitable for the base blade thickness and the saw blade hole diameter, as well as the tool spindle diameter. Wherever possible, use the reducers provided with the saw blade.

The saw blade diameter must match the information specified on the symbol.

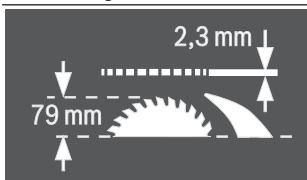


a The saw blade must be no more than 254 mm in diameter.

b The riving knife is 2.3 mm thick.

c The cutting direction of the teeth (direction of the arrow on the saw blade) must match the direction of the arrow on the riving knife.

d When changing the saw blade, make sure that the cutting width is no smaller than 2.4 mm and the base blade thickness is no larger than 2.2 mm. Otherwise, there is a risk that the riving knife will hook into the workpiece.



The riving knife is 2.3 mm thick.

The maximum possible workpiece height is 79 mm.



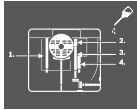
Left-hand side:

Indicates the direction of rotation of the crank for lowering (**transport position**) and raising (**work position**) the saw blade.

Right-hand side:

Indicates the position of the locking lever for securing the saw blade and setting the bevel angle (saw blade can be swivelled).

Symbols and their meaning



Oil the power tool as necessary at the points indicated.



Protection class II power tools are strengthened or double-insulated.



The CE mark provides confirmation from the manufacturer that the power tool complies with the applicable EU Directives.

Product Description and Specifications



Read all the safety and general instructions.

Failure to observe the safety and general instructions may result in electric shock, fire and/or serious injury.

Please observe the illustrations at the beginning of this operating manual.

Intended use

The power tool is a stationary machine for cutting in a straight line with and against the grain in hardwood, softwood, chipboard and fibreboard. Mitre angles of -60° to $+60^\circ$ as well as bevel angles of -2° to 47° are possible.

It is also possible to saw aluminium profiles and plastic using the appropriate saw blades.

Product Features

The numbering of the product features refers to the diagram of the power tool on the graphics page.

- | | |
|--|---|
| <ul style="list-style-type: none"> (1) Guide groove for parallel guide (2) Scale for spacing between saw blade and parallel guide (3) Angle guide (4) Recessed handles (5) Guide groove for angle guide (6) Protective cover (7) Saw table (8) Riving knife (9) Anti-kickback pawls^{A)} (10) Parallel guide (11) V guide groove on the saw table for the parallel guide (12) Mounting holes (13) Carrying handle (14) Saw table expansion (15) Fixing clip for the GTA 600 saw stand (16) Clamping handle for saw table expansion | <ul style="list-style-type: none"> (17) Locking lever for setting the bevel angle (18) Hand wheel (19) Crank for raising and lowering the saw blade (20) On/off switch safety flap (21) Hex key (2 mm) (22) Hex key (5 mm) (23) Ring spanner (23 mm) (24) Push stick (25) Adjusting screw for adjusting the clamping force of the parallel guide (26) Table insert (27) Saw blade (28) Magnifying glass (29) Profile rail (30) Cable holder (31) Holding clip for storing the additional parallel guide (32) Chip ejector (33) Dust extraction adapter (34) Bracket for storing the protective cover (35) Clamping lever for riving knife (36) Hex socket screws for riving knife^{A)} (37) Positioning pins for riving knife (38) Recesses for table insert (39) Clamping lever for protective cover (40) Guide pin for protective cover (41) Clamping handle for parallel guide (42) V guide for parallel guide (43) Additional parallel guide (44) "Additional parallel guide" fastening set (45) Guide rail for angle guide (46) "Profile rail" fastening set (47) Fastening screw for chip ejector (48) Push buttons for retracting the guide bolt of the anti-kickback pawls^{A)} (49) Clamping nut (50) Spindle locking lever (51) Clamping flange (52) Tool spindle (53) Mounting flange (54) Angle indicator (vertical) (55) Scale for bevel angles (56) Locking knob for all mitre angles (57) Angle indicator on the angle guide (58) Saw table spacing indicator (59) On button (60) Knurled nut for profile rail |
|--|---|

- (61) Cross-head screw for setting the 0° stop
- (62) Stop for 0° bevel angle
- (63) Screw for bevel angle indicator
- (64) Cross-head screw for setting the 45° stop
- (65) Stop for 45° bevel angle
- (66) Hex socket screws (5 mm) on the front for adjusting the parallelism of the saw blade
- (67) Hex socket screws (5 mm) on the rear for adjusting the parallelism of the saw blade
- (68) Screw for saw table spacing indicator
- (69) Hex socket screws (5 mm) for adjusting the parallelism of the parallel guide
- (70) Screw for parallel guide spacing indicator
- (71) Adjusting screws for table insert
- (72) Bracket for storing the "additional parallel guide" fastening set
- (73) Holding clip for storing the dust extraction adapter
- (74) Bracket for storing the anti-kickback pawls^{A)}
- (75) Securing nut for the ring spanner and for hanging the push stick
- (76) Bracket for storing the hex key
- (77) Holding clip for storing the angle guide

A) Country version **3 601 M30 5C2**

Technical Data

| Table saw | | GTS 10 J |
|---|-------------------|----------------------|
| Article number | | 3 601 M30 5.. |
| Rated power input | W | 1800 |
| Rated voltage | V | 220–240 |
| Frequency | Hz | 50/60 |
| No-load speed | min ⁻¹ | 3650 |
| Starting current limitation | | ● |
| Weight according to EPTA-Procedure 01:2014 | kg | 26.2 |
| Protection class | | □ / II |
| Dimensions (including detachable parts of the tool) | | |
| Width x depth x height | mm | 640 x 706 x 330 |
| Dimensions of suitable saw blades | | |
| Saw blade diameter | mm | 254 |
| Base blade thickness | mm | < 2.2 |
| Min. tooth thickness/offset | mm | > 2.4 |
| Hole diameter | mm | 25.4 |

Maximum workpiece dimensions: (see "Maximum workpiece dimensions", page 24)

The specifications apply to a rated voltage [U] of 230 V. These specifications may vary at different voltages and in country-specific models.

Assembly

- ▶ **Avoid starting the power tool unintentionally. The mains plug must not be connected to the power supply during assembly or when carrying out any kind of work on the power tool.**

Items included

Check to ensure that all the parts listed below have been supplied before using the power tool for the first time:

- Table saw with fitted saw blade (27) and riving knife (8)
- Angle guide (3)
- Profile rail (29)
- "Profile rail" fastening set (46) (guide plate, knurled nut, screw, washer)
- Parallel guide (10)
- Additional parallel guide (43)
- "Additional parallel guide" fastening set (44) (3 fastening screws, 3 washers, 3 wing nuts)
- Protective cover (6)
- Anti-kickback pawls (9) (Country version **3 601 M30 5C2**)
- Hex key (22)
- Hex key (21)
- Ring spanner (23)
- Push stick (24)
- Table insert (26)
- Dust extraction adapter (33)

Note: Check the power tool for possible damage.

Before continuing to use the power tool, carefully check that all protective devices or slightly damaged parts are working perfectly and according to specifications. Check that the moving parts are working perfectly and without jamming; check whether any parts are damaged. All parts must be fitted correctly and all the conditions necessary to ensure smooth operation must be met.

If the protective devices or any parts become damaged, you must have them properly repaired or replaced by an authorised service centre.

Fitting individual components

- Carefully remove all parts included in the delivery from their packaging.
- Remove all packing material from the power tool and the accessories provided.
- Make sure that you remove the packaging material beneath the motor block.

The following parts of the tool are attached directly to the housing: Push stick (24), ring spanner (23), hex key (22) and (21), parallel guide (10), angle guide (3), dust extraction adapter (33), additional parallel guide (43) with fastening set (44), protective cover (6).

- If you require one of these parts, remove it carefully from its storage location.

Positioning the riving knife (see figures a1–a2)

Note: If necessary, clean all parts to be fitted before you position them.

- Turn the crank (19) clockwise as far as possible so that the saw blade (27) is in the highest possible position above the saw table.
- Loosen the clamping lever (35).
or
country version 3 601 M30 5C2 : Loosen the hex socket screws (36) with the hex key (22).
- Slide the riving knife (8) towards the clamping lever (35) until it can be pulled upwards.
- Pull the riving knife all the way up until it is positioned exactly over the centre of the saw blade.
- Allow both pins (37) to engage in the lower bore holes in the riving knife and then retighten the clamping lever (35) or the hex socket screws (36).

Fitting the table insert (see figure b)

- Hook the table insert (26) into the rear recesses (38) of the tool chamber.
- Guide the table insert down.
- Press down on the table insert until it engages in the front of the tool chamber.

The front side of the table insert (26) must lie flush with or a little below the saw table; the rear must lie flush with or a little above the saw table.

Fitting the protective cover (see figures c1–c2)

Note: Only fit the protective cover when the riving knife is in the top position directly over the centre of the saw blade (see figure a2). Do not fit the protective cover when the riving knife is in the bottom position (position when delivered/position for sawing grooves) (see figure a1).

- Loosen the clamping lever (39) and remove the protective cover (6) from the bracket (34).
- Hold the saw blade guard (upper metal rail) of the protective cover (6) with one hand, while using the other hand to move the clamping lever (39) up.
- Push the guide pin (40) backwards into the groove on the riving knife (8).
- Move the protective cover (6) down until the saw blade guard (upper metal rail) is **parallel** with the surface of the saw table (7).
- Push the clamping lever (39) down. The clamping lever must be felt and heard to engage; the protective cover (6) must be securely and safely fitted.

► **Always check that the blade guard can move properly before use. Do not use the power tool if the blade guard cannot move freely and does not close immediately.**

Fitting the parallel guide (see figure d)

The parallel guide (10) can be positioned on either the left or the right of the saw blade.

- Loosen the clamping handle (41) of the parallel guide (10). This lightens the load on the V guide (42).

- First insert the parallel guide with the V guide into the guide groove (11) of the saw table. Then position the parallel guide in the front guide groove (1) of the saw table. The parallel guide can now be moved freely.
- To secure the parallel guide, push the clamping handle (41) down.

Fitting the additional parallel guide (see figure e)

To saw narrow workpieces and bevel angles, you must fit the additional parallel guide (43) on the parallel guide (10). The additional parallel guide can be fitted on the left or right of the parallel guide (10) as required.

Use the "additional parallel guide" fastening set (44) (two fastening screws, two washers, two wing nuts) for fitting the guide.

- Slide the fastening screws through the lateral holes on the parallel guide (10).
- The heads of the screws are used to guide the additional parallel guide.
- Slide the additional parallel guide (43) over the heads of the fastening screws.
- Place the washers on the fastening screws and tighten the screws using the wing nuts.

Fitting the angle guide (see figure f1-f2)

- Push the rail (45) of the angle guide (3) into one of the guide grooves (5) provided in the saw table.

To make it easier to position long workpieces, the angle guide can be extended with the profile rail (29).

- If necessary, fit the profile rail on the angle guide using the fastening set (46).

Dust/chip extraction

The dust from materials such as lead paint, some types of wood, minerals and metal can be harmful to human health. Touching or breathing in this dust can trigger allergic reactions and/or cause respiratory illnesses in the user or in people in the near vicinity.

Certain dusts, such as oak or beech dust, are classified as carcinogenic, especially in conjunction with wood treatment additives (chromate, wood preservative). Materials containing asbestos may only be machined by specialists.

- Use a dust extraction system that is suitable for the material wherever possible.
- Provide good ventilation at the workplace.
- It is advisable to wear a P2 filter class breathing mask.

The regulations on the material being machined that apply in the country of use must be observed.

The dust/chip extraction system can be blocked by dust, chips or fragments of the workpiece.

- Switch the power tool off and pull the mains plug out of the socket.
- Wait until the saw blade has come to a complete stop.
- Determine the cause of the blockage and eliminate it.
- **Avoid dust accumulation at the workplace.** Dust can easily ignite.

- ▶ **To prevent the risk of fire when sawing aluminium, empty the chip ejector and do not use chip extraction.**

Emptying the chip ejector (see figure g)

You can empty the chip ejector (32) to remove workpiece fragments and large chips.

- Switch the power tool off and pull the mains plug out of the socket.
- Wait until the saw blade has come to a complete stop.
- Loosen the fastening screw (47) using the hex key (22).
- Pull out the chip ejector (32) and remove the workpiece fragments and chips.
- Refit the chip ejector on the power tool.

External dust extraction (see figure h)

Use the dust extraction adapter (33) provided to connect a dust extractor to the chip ejector (32).

- Securely attach the dust extraction adapter (33) and the dust extraction hose.

The dust extractor must be suitable for the material being worked.

When extracting dry dust that is especially detrimental to health or carcinogenic, use a special dust extractor.

Stationary or flexible mounting

- ▶ **To ensure safe handling, the power tool must be mounted on a flat, stable work surface (e.g. work bench) before use.**

Mounting on a work surface (see figure i)

- Use suitable screw fasteners to secure the power tool to the work surface. The holes (12) are used for this purpose.

Mounting on a Bosch saw stand (see figure j)

Thanks to their height-adjustable legs, Bosch saw stands (e.g. GTA 600) provide firm support for the power tool on any surface.

- ▶ **Read all the warnings and instructions included with the saw stand.** Failure to observe the warnings and follow instructions may result in electric shock, fire and/or serious injury.
- ▶ **Assemble the saw stand properly before mounting the power tool.** Correct assembly is important to prevent the risk of collapsing.
- Mount the power tool on the saw stand in the transport position.

Changing the saw blade (see figures k1–k4)

- ▶ **Pull the plug out of the socket before carrying out any work on the power tool.**
- ▶ **When mounting the saw blade, wear protective gloves.** This poses a risk of injury.
- ▶ **Only use saw blades the maximum permitted speed of which is higher than the no-load speed of the power tool.**

- ▶ **Only use saw blades that match the specifications given in this operating manual and that are tested and marked in accordance with EN 847-1**

- ▶ **Only use saw blades that are recommended by the power tool manufacturer and are suitable for use on the material you want to saw.** This prevents the saw tooth tips from overheating and the plastic you want to saw from melting.

- ▶ **Only use saw blades that are recommended by the power tool manufacturer and are suitable for using on the material you want to saw.**

- ▶ **Do not use HSS saw blades.** Such saw blades can easily break.

Removing the saw blade

- Turn the crank (19) clockwise as far as possible so that the saw blade (27) is in the highest possible position above the saw table.
- Open the clamping lever (39) and pull the protective cover (6) out of the groove on the riving knife (8).
- Additionally, for country version 3 601 M30 5C2 : Press the push buttons (48) and retract the anti-kickback pawls (9) from the hole in the riving knife (8).
- Use a screwdriver to lift the table insert (26) at the front and remove it from the tool chamber.
- Turn the clamping nut (49) using the ring spanner (23) while pulling the spindle locking lever (50) until it engages.
- Keep pulling the spindle locking lever and unscrew the clamping nut anticlockwise.
- Remove the clamping flange (51).
- Remove the saw blade (27).

Fitting the saw blade

If necessary, clean all the parts you want to fit before installing them.

- Place the new saw blade on the mounting flange (53) of the tool spindle (52).

Note: Use sufficiently large saw blades. The radial clearance between the saw blade and the riving knife must not exceed 3–8 mm (max.).

- ▶ **When mounting the saw blade, ensure that the cutting direction of the teeth (direction of the arrow on the saw blade) matches the direction of the arrow on the riving knife.**

- Fit the clamping flange (51) and the clamping nut (49).
- Turn the clamping nut (49) using the ring spanner (23) while pulling the spindle locking lever (50) until it engages.
- Tighten the clamping nut by turning it clockwise.
- Reinsert the table insert (26).
- Refit the protective cover (6).
- In addition for country version 3 601 M30 5C2 : Refit the anti-kickback pawls (9).

Operation

- **Pull the plug out of the socket before carrying out any work on the power tool.**

Transport position and work position of the saw blade

Transport position

- Remove the protective cover (6), remove the table insert (26) and place the riving knife (8) in the bottom position. Reinsert the table insert (26).
- Turn the crank (19) anticlockwise until the teeth of the saw blade (27) lie below the saw table (7).
- Push the saw table expansion (14) in fully. Push the clamping handle (16) down. This fixes the saw table expansion in place.

Work position

- Position the riving knife (8) in the top position directly over the centre of the saw blade, insert the table insert (26) and fit the protective cover (6).
- Turn the crank (19) clockwise until the top teeth of the saw blade (27) are approx. 3–6 mm above the work-piece.

Setting mitre and bevel angles

To ensure precise cuts, the basic settings of the power tool must be checked and adjusted as necessary after intensive use.

Setting Bevel Angles (saw blade) (see figure A)

The bevel angle can be set between -2° and 47° .

- Loosen the locking lever (17) by turning it anticlockwise.

Note: When the locking lever is fully loosened, gravity causes the saw blade to tilt into a position that corresponds to approximately 30° .

- Pull or push the hand wheel (18) along the slotted link until the angle indicator (54) shows the required bevel angle.
- Hold the hand wheel in this position and retighten the locking lever (17).

For quick and precise setting of the standard bevel angles of 0° and 45° , there are pre-set stops ((62)),((65)).

Setting mitre angles (angle guide) (see figure B)

The mitre angle can be set between 60° (left-hand side) and 60° (right-hand side).

- Loosen the locking knob (56) if it is tightened.
- Turn the angle guide until the angle indicator (57) shows the required mitre angle.
- Retighten the locking knob (56).

Extending the saw table

The free end of long and heavy workpieces must have something placed underneath it or be supported.

Saw table expansion (see figure C)

The saw table expansion (14) increases the width of the saw table (7) on the right to a maximum of 625 mm.

- Pull the clamping handle (16) for the saw table expansion all the way up.
- Pull out the saw table expansion (14) to the required length.
- Push the clamping handle (16) down. This fixes the saw table expansion in place.

Adjusting the parallel guide

The parallel guide (10) can be positioned on either the left (black scale) or the right (silver scale) of the saw blade. The marking in the magnifying glass (28) indicates the set distance of the parallel guide to the saw blade on the scale (2). Position the parallel guide on the required side of the saw blade.

Adjusting the parallel guide when the saw table is not pulled out

- Loosen the clamping handle (41) of the parallel guide (10). Move the parallel guide until the marking in the magnifying glass (28) indicates the desired distance from the saw blade.
When the saw table is not pulled out, the lower marking on the silver scale applies (2).
- To secure it in place, push the clamping handle (41) back down.

Adjusting the parallel guide when the saw table is pulled out (see figure D)

- Position the parallel guide on the right of the saw blade. Move the parallel guide until the marking in the magnifying glass (28) shows 26 cm on the lower scale.
To secure it in place, push the clamping handle (41) back down.
- Pull the clamping handle (16) for the saw table expansion all the way up.
- Pull out the saw table expansion (14) until the spacing indicator (58) shows the desired distance from the saw blade on the upper scale.
- Push the clamping handle (16) down.
This fixes the saw table expansion in place.

Adjusting the additional parallel guide (see figure E)

To saw narrow workpieces and bevel angles, you must fit the additional parallel guide (43) on the parallel guide (10).

The additional parallel guide can be fitted on the left or right of the parallel guide (10) as required.

When sawing, workpieces can become jammed between the parallel guide and the saw blade, caught in the saw blade as it rises and ejected.

You should therefore set the additional parallel guide so that the end of the guide is between the front tooth of the saw blade and the front edge of the riving knife.

- To do so, loosen all wing nuts of the fastening set (44) and move the additional parallel guide until only the front two screws are used for attachment.
- Retighten the wing nuts.

Adjusting the riving knife

The riving knife (8) prevents the saw blade (27) from becoming jammed in the kerf. Otherwise there is a risk of kickback occurring if the saw blade catches in the workpiece. It is therefore important to ensure that the riving knife is set up correctly:

- The radial clearance between the saw blade and the riving knife must not exceed 3–8 mm (max.).
- The thickness of the riving knife must be smaller than the cutting width and larger than the base blade thickness.
- The riving knife must always be aligned with the saw blade.
- For normal cuts, the riving knife must always be in the highest possible position.

Adjusting the riving knife height (see figure F)

The height of the riving knife must be adjusted in order to saw grooves.

- ▶ **Only use the power tool for grooving or routing if a suitable protective guard (e.g. tunnel blade guard, featherboard) is in place.**
- Open the clamping lever (39) and pull the protective cover (6) out of the groove on the riving knife (8). To prevent damage to the protective guard, store it in the bracket (34) provided on the housing (see also figure O1).
- Additionally, for country version **3 601 M30 5C2** : Press the push buttons (48) together and retract the anti-kickback pawls (9) from the hole in the riving knife (8). To securely store the anti-kickback pawls, fix them in the bracket (74) provided on the housing (see also figure O1).
- Turn the crank (19) clockwise as far as possible so that the saw blade (27) is in the highest possible position above the saw table.
- Loosen the clamping lever (35).
or
country version **3 601 M30 5C2** : Loosen the hex socket screws (36) with the hex key (22).
- Pull the riving knife off the pins (37) (pull the clamping lever (35) outwards slightly) and push the riving knife (8) down as far as possible.
- Allow both pins (37) to engage in the upper bore holes in the riving knife and then retighten the clamping lever (35).

Start-up

- ▶ **Pay attention to the mains voltage.** The voltage of the power source must match the voltage specified on the rating plate of the power tool.

- ▶ **Products that are only sold in AUS and NZ:** Use a residual current device (RCD) with a nominal residual current of 30 mA or less.

Switching on (see figure G1)

- Fold up the safety flap (20).
- To start, press the green "on" button (59).
- Drop the safety flap (20) back down.

Switching off (see figure G2)

- Press the safety flap (20).

Power outage

The on/off switch acts as a zero-voltage switch that prevents the power tool from starting up again following a power outage (e.g. if the mains plug is removed during operation). To restart the power tool following a power outage, press the green "on" button (59) again.

Practical advice

General sawing instructions

- ▶ **Before making any cuts, first make sure that the saw blade cannot come into contact with the stops or any other parts of the tool at any time.**
- ▶ **Only use the power tool for grooving or routing if a suitable protective guard (e.g. tunnel blade guard, featherboard) is in place.**
- ▶ **Do not use the power tool for cutting slots (stopped grooves).**

Protect the saw blade against impact and shock. Do not subject the saw blade to lateral pressure.

The riving knife must be aligned with the saw blade in order to prevent the workpiece from jamming.

Do not saw workpieces that have become bent or twisted out of shape. The workpiece must always have a straight edge to face against the parallel guide.

Always store the push stick on the power tool.

Position of the operator (see figure H)

- ▶ **Never stand directly in line with the saw blade. Always position your body on the same side of the saw blade as the fence.** Kickback may propel the workpiece at high velocity towards anyone standing in front and in line with the saw blade.
- Keep hands, fingers and arms away from the rotating saw blade.

Pay attention to the following instructions:

- Hold the workpiece firmly with both hands and press it securely against the saw table.
- When using narrow workpieces or sawing bevel angles, always use the push stick (24) and the additional parallel guide (43) provided.

Maximum workpiece dimensions

| Bevel angle | max. height of the workpiece [mm] |
|-------------|-----------------------------------|
| 0° | 79 |

| Bevel angle | max. height of the workpiece [mm] |
|-------------|-----------------------------------|
| 45° | 56 |

Sawing

Making straight cuts

- Adjust the parallel guide (10) to the desired cutting width.
- Place the workpiece on the saw table in front of the protective cover (6).
- Use the crank (19) to raise or lower the saw blade as far up or down as needed to position the top teeth of the saw blade (27) approx. 3–6 mm above the workpiece.
- Switch on the power tool.
- Saw through the workpiece applying uniform feed. If you apply too much pressure, the tip of the saw blade could overheat and damage the workpiece.
- Switch off the power tool and wait until the saw blade has come to a complete stop.

Sawing a bevel angle

- Set the required saw blade bevel angle. If the saw blade is tilted to the left, the parallel guide (10) must be to the right of the blade.
- Follow the work steps set out in the (see "Making straight cuts", page 25) section

Sawing mitre angles (see figure I)

- Set the required mitre angle on the angle guide (3).
- Place the workpiece on the profile rail (29). The profile must not be positioned along the cut line. If it is, loosen the knurled nut (60) and reposition the profile rail.
- Use the crank (19) to raise or lower the saw blade as far up or down as needed to position the top teeth of the saw blade (27) approx. 3–6 mm above the workpiece.
- Switch the power tool on.
- Hold the workpiece against the profile rail (29) with one hand; place your other hand on the locking knob (56) and slide the angle guide slowly forwards in the guide groove (5).
- Switch off the power tool and wait until the saw blade has come to a complete stop.

Checking and adjusting the basic settings

To ensure precise cuts, the basic settings of the power tool must be checked and adjusted as necessary after intensive use.

Experience and suitable special tools are required for this. A Bosch after-sales service point will handle this work quickly and reliably.

Adjusting the stops for a standard bevel angle 0°/45°

- Bring the power tool into the work position.
- Set the saw blade to a bevel angle of 0°.
- Remove the blade guard (6).

Checking (see figure J1)

- Set an angle gauge to 90° and place it on the saw table (7).

The leg of the angle gauge must be flush with the saw blade (27) along its entire length.

Setting (see figure J2)

- Loosen the screw (61). This enables the 0° stop (62) to be moved.
- Loosen the locking lever (17).
- Slide the hand wheel (18) towards the 0° stop until the leg of the angle gauge is flush with the saw blade along its entire length.
- Hold the hand wheel in this position and retighten the locking lever (17).
- Retighten the screw (61).

If the angle indicator (54) is not aligned with the 0° mark on the scale (55) following adjustment, loosen the screw (63) using a conventional cross-headed screwdriver and align the angle indicator along the 0° mark.

Repeat the work step above for the bevel angle of 45° (loosen the screw (64); move the 45° stop (65)). The angle indicator (54) must not be repositioned when doing this.

Parallelism of the saw blade with the guide grooves of the angle guide (see figure K)

- Bring the power tool into the work position.
- Remove the blade guard (6).

Checking

- Use a pencil to mark the first left-hand saw tooth that is visible at the back above the table insert.
- Set an angle gauge to 90° and place it on the edge of the guide groove (5).
- Move the leg of the angle gauge until it touches the marked saw tooth and read the distance between the saw blade and the guide groove.
- Turn the saw blade until the marked tooth at the front lies above the table insert.
- Move the angle gauge along the guide groove up to the marked saw tooth.
- Measure the distance between the saw blade and the guide groove again.

The two measured distances must be identical.

Setting

- Loosen the hex socket screws (66) at the front beneath the saw table and the hex socket screws (67) at the rear beneath the saw table using the hex key (22) provided.
- Carefully move the saw blade until it lies parallel with the guide groove (5).
- Retighten all screws (66) and (67).

Adjusting the saw table spacing indicator (see figure L)

- Position the parallel guide on the right of the saw blade. Move the parallel guide until the marking in the magnifying glass (28) shows 26 cm on the lower scale. To secure it in place, push the clamping handle (41) back down.

- Pull the clamping handle (16) all the way up and pull the saw table expansion (14) out as far as possible.

Checking

The upper scale (2) of the spacing indicator (58) must show the same value as the marking in the magnifying glass (28) on the lower scale (2).

Setting

- Pull the saw table expansion (14) out fully.
- Loosen the screw (68) with a cross-headed screwdriver and align the spacing indicator (58) along the 26 cm mark on the upper scale (2).

Adjusting the parallelism of the parallel guide (see figure M)

- Bring the power tool into the work position.
- Remove the blade guard (6).
- Loosen the clamping handle (41) of the parallel guide and move it until it touches the saw blade.

Checking

The parallel guide (10) must touch the saw blade along its entire length.

Setting

- Loosen the hex socket screws (69) using the hex key (22) provided.
- Carefully move the parallel guide (10) until it touches the saw blade along its entire length.
- Hold the parallel guide in this position and push the clamping handle (41) down again.
- Retighten the hex socket screws (69).

Adjusting the clamping force of the parallel guide

The clamping force of the parallel guide (10) can deteriorate after frequent use.

- Tighten the adjusting screw (25) until the parallel guide can be securely fixed to the saw table again.

Adjusting the magnifying glass of the parallel guide (see figure M)

- Bring the power tool into the work position.
- Remove the protective cover (6).
- Move the parallel guide (10) from the right until it touches the saw blade.

Checking

The marking in the magnifying glass (28) must be in line with the 0 mm mark on the scale (2).

Setting

- Loosen the screw (70) using a cross-headed screwdriver and align the marking along the 0 mm mark.

Adjusting the level of the table insert (see figure N)

Checking

The front side of the table insert (26) must lie flush with or a little below the saw table; the rear must lie flush with or a little above the saw table.

Setting

- Remove the table insert (26).

- Use the hex key (22) to set the correct level of the four adjusting screws (71).

Storage and transport

Storing tool elements (see figures O1–O5)

You can attach certain tool elements to the power tool to store them.

- Detach the additional parallel guide (43) from the parallel guide (10).
- Place all loose components of the tool in their storage compartments on the housing (see the following table).

| Figure | Tool element | Storage compartment |
|--------|---|---|
| O1 | Protective cover (6) | Place in the recess on the bracket (34) and secure using the clamping lever (39) |
| O1 | Anti-kickback pawls (9) (Country version 3 601 M30 5C2) | Press the push buttons (48) together and allow them to engage in the hole of the bracket (74) |
| O2 | "Additional parallel guide" fastening set (44) | Clip into the brackets (72) |
| O2 | Dust extraction adapter (33) | Slide into the holding clips (73) |
| O3 | Ring spanner (23) | Secure in the storage compartment using the securing nut (75) |
| O3 | Push stick (24) | Suspend using the securing nut (75) and slide to secure |
| O4 | Parallel guide (10) | Turn around, suspend from below in the guide rails and secure the clamping handle (41) |
| O5 | Hex key (22) Hex key (21) | Slide into the brackets (76) |
| O5 | Angle guide (3) | Slide into the holding clips (77) |
| O5 | Additional parallel guide (43) | Slide into the holding clips (31) (short side facing up, long side facing the rear) |

Transporting the power tool

Before transporting the power tool, the following steps must be carried out:

- Bring the power tool into the transport position.
- Remove all accessories that cannot be securely fitted to the power tool.
If possible, transport unused saw blades in an enclosed container.
- Slide the saw table expansion (14) in fully and push the clamping handle (16) down to secure it in place.
- Wrap the power cable around the cable holder (30).
- Use the carrying handles (13) to lift or transport the tool.

► **Only use the transport devices to transport the power tool and never the protective devices.**

Maintenance and Service

Maintenance and Cleaning

- ▶ **Pull the plug out of the socket before carrying out any work on the power tool.**
- ▶ **To ensure safe and efficient operation, always keep the power tool and the ventilation slots clean.**

In order to avoid safety hazards, if the power supply cord needs to be replaced, this must be done by **Bosch** or by an after-sales service centre that is authorised to repair **Bosch** power tools.

Cleaning

Always remove dust and chips after working by blowing out with compressed air or using a brush.

Lubricating the power tool



Lubricant:

SAE 10/SAE 20 engine oil

- Oil the power tool as necessary at the points indicated (see figure P).

An authorised Bosch after-sales service point will handle this work quickly and reliably.

- ▶ **Dispose of lubricants and cleaning products in an environmentally friendly manner, taking legal regulations into account.**

Noise reduction measures

Measures implemented by the manufacturer:

- Soft start
- Provided with a saw blade specially developed for noise reduction

Measures implemented by the operator:

- Low-vibration mounting on a stable work surface
- Use of saw blades with noise-reducing functions
- Regular cleaning of the saw blade and power tool

Accessories

| | Article number |
|--|----------------|
| Dust bag | 2 610 015 511 |
| Dust extraction adapter | 2 610 015 509 |
| Y adapter TSVH 3 | 2 610 015 513 |
| Angle guide | 2 610 015 507 |
| Push stick | 2 610 015 022 |
| GTA 600 saw stand | 0 601 B22 001 |
| Saw blades for wood and fibreboard, panels and strips | |
| 254 x 25.4 mm saw blade, 40 teeth | 2 608 640 901 |
| 254 x 25.4 mm saw blade, 60 teeth | 2 608 640 902 |

After-Sales Service and Application Service

Our after-sales service responds to your questions concerning maintenance and repair of your product as well as spare parts. You can find explosion drawings and information on spare parts at: www.bosch-pt.com

The Bosch product use advice team will be happy to help you

with any questions about our products and their accessories.

In all correspondence and spare parts orders, please always include the 10-digit article number given on the nameplate of the product.

Malaysia

Robert Bosch Sdn. Bhd. (220975-V) PT/SMY

No. 8A, Jalan 13/6

46200 Petaling Jaya

Selangor

Tel.: (03) 79663194

Toll-Free: 1800 880188

Fax: (03) 79583838

E-Mail: kiathoe.chong@my.bosch.com

www.bosch-pt.com.my

You can find further service addresses at:

www.bosch-pt.com/serviceaddresses

Disposal

The power tool, accessories and packaging should be recycled in an environmentally friendly manner.



Do not dispose of power tools along with household waste.

中文

安全规章

电动工具通用安全警告

警告！ 阅读所有警告和所有说明！不遵照以下警告和说明会导致电

击、着火和 / 或严重伤害。

保存所有警告和说明书以备查阅。

在所有下列的警告中术语“电动工具”指市电驱动（有线）电动工具或电池驱动（无线）电动工具。

工作场地的安全

- ▶ **保持工作场地清洁和明亮。** 混乱和黑暗的场地会引发事故。
- ▶ **不要在易爆环境，如有易燃液体、气体或粉尘的环境下操作电动工具。** 电动工具产生的火花会点燃粉尘或气体。
- ▶ **让儿童和旁观者离开后操作电动工具。** 注意力不集中会使操作者失去对工具的控制。

电气安全

- ▶ **电动工具插头必须与插座相配。** 绝不能以任何方式改装插头。需接地的电动工具不能使用任何转换插头。未经改装的插头和相配的插座将减少电击危险。
- ▶ **避免人体接触接地表面，如管道、散热片和冰箱。** 如果你身体接地会增加电击危险。

- ▶ 不得将电动工具暴露在雨中或潮湿环境中。水进入电动工具将增加电击危险。
- ▶ 不得滥用电线。绝不能用电线搬运、拉动电动工具或拔出其插头。使电线远离热源、油、锐边或运动部件。受损或缠绕的软线会增加电击危险。
- ▶ 当在户外使用电动工具时，使用适合户外使用的外接软线。适合户外使用的软线将减少电击危险。
- ▶ 如果在潮湿环境下操作电动工具是不可避免的，应使用剩余电流动作保护器（RCD）。使用RCD可减小电击危险。

人身安全

- ▶ 保持警觉，当操作电动工具时关注所从事的操作并保持清醒。当你感到疲倦，或在有药物、酒精或治疗反应时，不要操作电动工具。在操作电动工具时瞬间的疏忽会导致严重人身伤害。
- ▶ 使用个人防护装置。始终佩戴护目镜。安全装置，诸如适当条件下使用防尘面具、防滑安全鞋、安全帽、听力防护等装置能减少人身伤害。
- ▶ 防止意外启动。确保开关在连接电源和/或电池盒、拿起或搬运工具时处于关闭位置。手指放在已接通电源的开关上或开关处于接通时插入插头可能会导致危险。
- ▶ 在电动工具接通之前，拿掉所有调节钥匙或扳手。遗留在电动工具旋转零件上的扳手或钥匙会导致人身伤害。
- ▶ 手不要伸展得太长。时刻注意立足点和身体平衡。这样在意外情况下能很好地控制电动工具。
- ▶ 着装适当。不要穿宽松衣服或佩戴饰品。让衣服、手套和头发远离运动部件。宽松衣服、配饰或长发可能会卷入运动部件中。
- ▶ 如果提供了与排屑、集尘设备连接用的装置，要确保他们连接完好且使用得当。使用这些装置可减少尘屑引起的危险。
- ▶ 即使由于经常使用电动工具而对此非常熟悉，也不要就认为可以高枕无忧而忽略工具的安全规定。粗心大意的行为可能在瞬间就造成严重的伤害。

电动工具使用和注意事项 电动工具使用和注意事项

- ▶ 不要滥用电动工具，根据用途使用适当的电动工具。选用适当设计的电动工具会使你工作更有效、更安全。
- ▶ 如果开关不能接通或关闭工具电源，则不能使用该电动工具。如果开关不能接通或关闭工具电源，则不能使用该电动工具。
- ▶ 在进行任何调节、更换附件或贮存电动工具之前，必须从电源上拔掉插头和/或使电池盒与工具脱离。这种防护性措施将减少工具意外启动的危险。
- ▶ 将闲置不用的电动工具贮存在儿童所及范围之外，并且不要让不熟悉电动工具或对这些说明不了解的人操作电动工具。电动工具在未经培训的用户手中是危险的。
- ▶ 保养电动工具。检查运动件是否调整到位或卡住，检查零件破损情况和影响电动工具运行的其

他状况。如有损坏，电动工具应在使用前修好。许多事故由维护不良的电动工具引发。

- ▶ 保持切削刀具锋利和清洁。保养良好的有锋利切削刃的刀具不易卡住而且容易控制。
- ▶ 按照使用说明书，考虑作业条件和进行的作业来使用电动工具、附件和工具的刀头等。将电动工具用于那些与其用途不符的操作可能会导致危险。
- ▶ 保持手柄和握持表面干燥、清洁、无油污。在突发情况下，滑溜的手柄和握持表面无法确保安全地握持和控制工具。

维修


- ▶ 将你的电动工具送交专业维修人员，使用同样的备件进行修理。这样将确保所维修的电动工具的安全性。

台锯安全说明

防护罩警告

- ▶ 请装好防护罩。防护罩必须处于工作状态并正确安装。如果防护罩松开、损坏或工作不正常，必须修理或更换。
- ▶ 每次进行贯穿锯切时都必须使用锯片防护罩、劈板刀和防反弹装置。贯穿锯切即锯片贯穿加工件整个厚度进行锯切操作，使用防护罩和其他安全装置有助于降低人身伤害风险。
- ▶ 完成一些需要拆下防护罩、劈板刀和防反弹装置的操作后（如开槽、刨槽或再次锯切），应立即重新安装上这些安全防护系统。防护罩、劈板刀和防反弹装置有助于降低人身伤害风险。
- ▶ 在打开开关之前，切勿让锯片接触防护罩、劈板刀或加工件。如果不小心让锯片接触这些部件，将导致危险。
- ▶ 根据指导手册中的说明，调整锯尾刀。如果分隔、放置或对齐不正确，锯尾刀降低弹回几率的效果将丧失。
- ▶ 锯尾刀和防反弹装置只有契合加工件才能发挥作用。如果加工件太短，使得锯尾刀和防反弹装置无法与其契合，则锯尾刀和防反弹装置无效。此时锯尾刀防反弹装置无法防止弹回。
- ▶ 为锯尾刀选用合适的锯片。为了让锯尾刀正常生效，锯片直径必须与相应锯尾刀匹配，锯片主体必须比锯尾刀薄，锯片锯切宽度必须大于锯尾刀厚度。

锯切过程警告

- ▶  危险：切勿将手指或整个手放在锯片周围或与锯片在同一直线上。稍有疏忽或滑动即会让您的手朝着锯片前进，从而导致严重的人身伤害。
- ▶ 只能逆旋转方向将加工件送入锯片。如果送入加工件的方向与在台面上方旋转的锯片的旋转方向相同，可能会导致加工件以及您的手卷入锯片。
- ▶ 纵锯时，切勿使用斜榫规送入加工件；使用斜榫规进行横截时，切勿使用纵锯挡作为纵向挡块。同时使用纵锯挡和斜榫规引导加工件的前进方向会增加锯片卡滞和弹回的几率。

- ▶ 纵锯时，必须在挡块和锯片之间施加工件进给力。如果挡块和刀片之间的距离小于150 mm，则使用推杆，如果该距离小于50 mm，则使用推块。“工作辅助”装置将使您的手与锯片保持安全距离。
- ▶ 只能使用制造商提供的推杆或按照说明书制作的推杆。推杆使手和锯片保持足够距离。
- ▶ 切勿使用损坏或切断的推杆。损坏的推杆可能断裂，导致您的手滑入锯片。
- ▶ 切勿“徒手”进行任何操作。必须使用纵锯挡或斜棒规定位、引导加工件。“徒手”的意思是用手代替纵锯挡或斜棒来支撑或引导加工件。徒手锯切操作会导致偏移、卡滞或弹回。
- ▶ 切勿接近正在旋转的锯片的上方或周围。接近加工件可能导致意外地接触正在转动的锯片。
- ▶ 对于较长和 / 或较宽的加工件，要在锯台附近和 / 或两侧使用辅助加工件支撑装置进行支撑，使其保持水平。较长和 / 或较宽的加工件有绕着台面边缘旋转的趋势，导致失控、锯片卡滞以及弹回。
- ▶ 应以平稳的速度送入加工件。不得弯折、扭转加工件。如果卡住，立即关闭电源，拔出刀具，清理卡住的地方。加工件卡住锯片会导致弹回或电机停转。
- ▶ 锯片仍在旋转时切勿清理锯切废料。废料可能卡在挡块和锯片防护罩之间或之中，锯片会将您的手指卷入。应先关闭电锯，等待锯片停转，然后进行清理。
- ▶ 纵锯厚度小于2 mm的加工件时，应使用与台面接触的辅助挡块。薄加工件可能会卡在纵锯挡下面，造成弹回。

弹回原因和相关警告

弹回是加工件在锯片卡住、加工件中的锯切线偏离锯片方向或加工件的一部分卡在锯片和纵锯挡或其他固定物中间时，加工件出现的突然反应。

弹回时最常见的情况是，锯片的后部将加工件从台面上抬起，推向操作员一端。

弹回是锯子不正当使用和 / 或操作流程或条件不正确的结果，可通过采取以下预防措施来避免。

- ▶ 站立时切勿与锯片成直线。身体和挡块要位于锯片的同一侧。弹回会以极高速度将加工件推向站在锯片前方、与锯片呈直线排列的人。
- ▶ 切勿从锯片上方或后方拉动或支撑加工件。这可能造成意外接触加工件，或者因弹回而将您的手指卷入锯片。
- ▶ 切勿顶住旋转刀片扶持或按压正在锯切的加工件。顶住旋转刀片按压正在锯切的加工件将造成卡滞或弹回。
- ▶ 对齐挡块，使其与锯片平行。未对齐的挡块会将加工件挤向锯片，引起弹回。
- ▶ 在进行非贯穿锯切时，如开槽、刨槽或再锯切，使用薄边板令加工件沿着台面和挡块运动。薄边板在发生弹回时有助于控制加工件。
- ▶ 支撑大型板材，以降低锯片夹住和回弹的风险。大的板材会因自重而下垂。面板悬伸在台面外的所有部位都要进行支撑。

- ▶ 锯切有扭转、节疤、弯曲或边缘不直的加工件时要格外小心，要用斜棒规和挡块对准方向。有扭转、节疤、弯曲的加工件不稳定，会导致切口与锯片不对齐、卡滞或弹回。
- ▶ 切勿锯切垂直或水平堆放的多件加工件。锯片可能带动一件或多件加工件引起弹回。
- ▶ 如果在锯片留在加工件中时重新启动电锯，锯片应位于切口中央，以免锯齿卡入材料。如果锯片卡滞，再重新启动电锯时可能会带动加工件，引起弹回。
- ▶ 锯片应保持清洁、锋利、充分调整。切勿使用弯曲的锯片或锯齿损伤的锯片。锋利而正确调整的锯片会降低卡滞、停转和弹回的风险。

台锯操作过程警告

- ▶ 当取出台面插件、更换锯片、调整锯尾刀、防反弹装置或锯片护罩以及机器无人看守时，要关闭台锯并切断电源。采取预防措施可防止发生意外。
- ▶ 台锯运转时切不可无人看管。关闭台锯，待其彻底停止才可离开。无人看管的运转台锯存在不可控危险。
- ▶ 台锯应放在照明良好的水平区域，用户应能平衡舒适地站立。安装区域应有足够空间，以便轻松操作各种大小的加工件。局促、阴暗的区域和湿滑不平的地面会引发意外事故。
- ▶ 应经常清理锯台下方和 / 或废料收集装置中的锯屑。堆积在一起的锯屑是易燃物，有可能自燃。
- ▶ 台锯必须安全固定。未安全固定的台锯有可能移动或倾翻。
- ▶ 打开台锯之前应从台面上取走各种工具、木料。分心以及可能发生的卡夹都存在危险。
- ▶ 始终使用轴孔尺寸和形状（菱形/圆形）正确的锯片。与台锯的安装硬件不匹配的锯片会偏离中心，造成失控。
- ▶ 切勿使用损坏的或不合适的锯片安装零件，如法兰、锯片垫片、螺栓或螺母。这些安装零件是为确保电锯安全运行和最优性能而专门设计。
- ▶ 切勿站立在台锯上，切勿将其作为踏凳。如果工具倾翻或意外接触到锯切工具，可能导致严重人身伤害。
- ▶ 确保正确安装锯片，使其按照正确方向旋转。切勿对台锯使用砂轮、钢丝刷或磨轮。刀片安装不当或使用不建议使用的附件可能导致严重人身伤害。

其他安全规章

- ▶ 安装锯片时务必穿戴防护手套。有受伤的危险。
- ▶ 不要使用高速钢锯片。此类锯片容易折断。
- ▶ 请勿在没有台板的情况下使用电动工具。请更换损坏的台板。如果没有完好的台板，您可能会被锯片割伤。
- ▶ 工作场地应保持清洁。材料混合特别危险。轻金属粉尘可能会起火燃烧或爆炸。
- ▶ 请为希望加工的材料选择合适的锯片。

- ▶ 只允许使用符合本使用说明书中和电动工具上给出的特性数据，并通过EN 847-1标准认证且有相应认证标识的锯片。
- ▶ 只能使用由本电动工具制造商所推荐的锯片，以及适合加工物料的锯片。
- ▶ 仅当锯片运转时，才能将工件向其迎去。否则如果锯片卡在工件中，会有反弹的危险。

符号

以下符号可以帮助您正确地使用本电动工具。请牢记各符号和它们的代表意思。正确了解各符号的代表意思，可以帮助您更有把握更安全地操作本电动工具。

符号和它们的代表意义



当电动工具运转时，切勿把手放在锯切范围内。如果手碰触到锯片，有受伤危险。



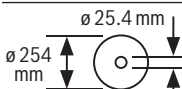
请佩戴防尘面具。



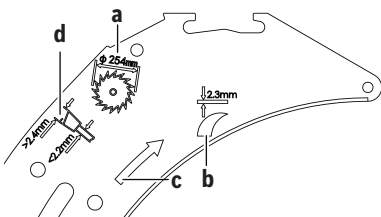
请佩戴耳罩。工作噪音会损坏听力。



请佩戴护目镜。



请留心锯片的尺寸。锯片上的孔径必须和工具主轴完全吻合，不能有空隙。如需使用缩径套，应注意根据锯片厚度、锯片孔径以及工具主轴直径来调整缩径套的尺寸。尽可能使用与锯片配套的缩径套。锯片直径必须与图标上的说明一致。



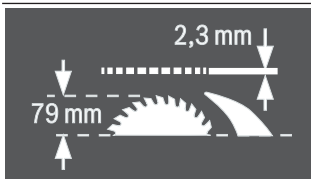
a 允许的最大锯片直径为254毫米。

b 劈开楔的厚度为2.3毫米。

符号和它们的代表意义

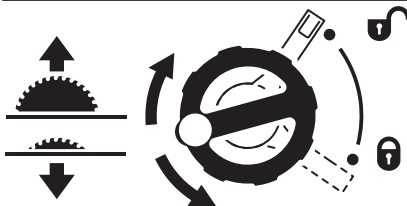
c 锯齿的锯切方向（锯片上的箭头方向）必须和劈开楔上的箭头方向一致。

d 更换锯片时，请确保切割宽度不小于2.4毫米，锯片主体的厚度不大于2.2毫米。否则劈开楔（毫米）可能卡在工件中。



劈开楔的厚度为2.3毫米。

工件的最大许可高度为79毫米。

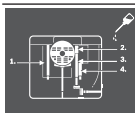


左侧：

显示手柄降低锯片（运输位置）时的旋转方向和升高锯片（工作位置）时的旋转方向。

右侧：

显示用来固定锯片和调整垂直斜切角度（可翻转锯片）的锁定杆的位置。



视需要润滑电动工具，请在指示的位置添加润滑油。



防护等级为II的电动工具已加强绝缘或双重绝缘。



产品带有CE标志，表明制造商确认该电动工具符合适用的欧盟指令。

产品和性能说明



请阅读所有安全规章和指示。不遵照以下警告和说明可能导致电击、着火和/或严重伤害。

请注意本使用说明书开头部分的图示。

按照规定使用

本电动工具适合以站立的方式在软木和硬木、刨花板和纤维板上进行纵向和横向的直线锯割。水平斜切角度的范围为 -60° 至 $+60^{\circ}$ ，垂直斜切角度的范围为 -2° 至 47° 。

使用相应的锯片也可以锯切铝制型材和塑料。

插图上的机件

机件的编号和电动工具详解图上的编号一致。

- (1) 平行限制器导槽
- (2) 用于测量锯片至平行限制器距离的刻度尺
- (3) 角度挡块
- (4) 握柄槽
- (5) 针对角度挡块的导槽
- (6) 保护盖
- (7) 锯台
- (8) 劈开楔
- (9) 反弹锁^{A)}
- (10) 平行限制器
- (11) 锯台上用于平行限制器的V型导槽
- (12) 安装孔
- (13) 提柄
- (14) 锯台扩展件
- (15) 针对工作桌GTA 600的固定夹圈
- (16) 锯台扩展件夹紧手柄
- (17) 锁定杆, 用来调整垂直方向的斜切角度
- (18) 手轮
- (19) 用来升高和降低锯片的手柄
- (20) 电源开关安全挡板
- (21) 内六角扳手 (2毫米)
- (22) 内六角扳手 (5毫米)
- (23) 环形扳手 (23毫米)
- (24) 推棒
- (25) 平行限制器张力调整螺栓
- (26) 锯台插入件
- (27) 锯片
- (28) 放大镜
- (29) 型材挡轨
- (30) 电线支架
- (31) 用于存储辅助平行限制器的固定夹
- (32) 出屑口
- (33) 吸尘适配器
- (34) 用于存储保护盖的支架
- (35) 劈开楔夹紧杆
- (36) 劈开楔内六角螺栓^{A)}
- (37) 劈开楔定位销
- (38) 锯台插入件凹槽
- (39) 保护盖夹紧杆
- (40) 保护盖导向螺栓
- (41) 平行限制器的拧紧柄
- (42) 平行限制器的V型导向件
- (43) 辅助平行限制器
- (44) “辅助平行限制器”固定套件
- (45) 角度挡块的导轨
- (46) “型材挡轨”固定套件
- (47) 出屑口的固定螺栓
- (48) 用于抽回反弹锁导向螺栓的按钮^{A)}
- (49) 夹紧螺母
- (50) 主轴制动杆
- (51) 夹紧法兰
- (52) 主轴
- (53) 固定法兰
- (54) 角度指示器 (垂直)
- (55) 斜切角度刻度尺 (垂直)
- (56) 任意斜切角度的固定旋钮 (水平)
- (57) 角度挡块上的角度指示器
- (58) 锯台上的距离指示器
- (59) 起动开关
- (60) 针对型材挡轨的滚轮螺母
- (61) 用于调整0度挡块的十字螺栓
- (62) 0度斜切角度的挡块 (垂直)
- (63) 角度指示器螺栓 (垂直)
- (64) 用于调整45度挡块的十字螺栓
- (65) 45度斜切角度的挡块 (垂直)
- (66) 前部内六角螺栓 (5毫米), 用于调整锯片的平行度
- (67) 后部内六角螺栓 (5毫米), 用于调整锯片的平行度
- (68) 螺丝, 针对锯台上的距离指示器
- (69) 内六角螺栓 (5毫米), 用于调整平行限制器的平行度
- (70) 平行限制器距离指示器螺栓
- (71) 锯台插入件调整螺栓
- (72) 用于存储“辅助平行限制器”固定套件的支架
- (73) 用于存储吸尘适配器的固定夹
- (74) 用于存储反弹锁的支架^{A)}
- (75) 固定环形扳手的螺母, 也可以拿来悬挂推棒
- (76) 用于存储内六角扳手的支架
- (77) 用于存储角度挡块的固定夹

A) 国家版本 **3 601 M30 5C2**

技术参数

| 圆锯机 | | GTS 10 J |
|----------------------------|------|----------------------|
| 物品代码 | | 3 601 M30 5.. |
| 额定输入功率 | 瓦 | 1800 |
| 额定电压 | 伏特 | 220-240 |
| 频率 | 赫兹 | 50/60 |
| 无负载转速 | 转/分钟 | 3650 |
| 起动电流限制 | | ● |
| 重量符合EPTA-Procedure 01:2014 | 公斤 | 26.2 |
| 保护等级 | | □/II |

| 圆锯机 | | GTS 10 J |
|---------------|----|-----------------|
| 尺寸 (包括可拆卸的机件) | | |
| 宽度 x 深度 x 高度 | 毫米 | 640 x 706 x 330 |
| 合适锯片的尺寸 | | |
| 锯片直径 | 毫米 | 254 |
| 锯片主体的厚度 | 毫米 | < 2.2 |
| 最小锯齿厚度/锯齿斜度 | 毫米 | > 2.4 |
| 固定孔直径 | 毫米 | 25.4 |

最大工件尺寸：(参见“最大工件尺寸”，页 35)

所有参数适用于230伏的额定电压[U]，对于其他不同的电压和国际规格，数据有可能不同。

安装

- ▶ 避免意外启动电动工具。安装锯片时或在电动工具上所有工作时，电源插头都不允许连接电源。

供货范围

电动工具初次投入运行前请检查下列零件是否均配套提供：

- 安装了锯片(27)和劈开楔(8)的台式圆锯
- 角度挡块(3)
- 型材挡轨(29)
- 型材挡轨固定套件(46) (导板、滚花螺母、螺栓、垫片)
- 平行限制器(10)
- 附加平行限制器(43)
- 附加平行限制器固定套件(44) (3个固定螺栓、3个垫片、3个翼形螺母)
- 保护盖(6)
- 反弹锁(9) (国家版本 3 601 M30 5C2)
- 内六角扳手(22)
- 内六角扳手(21)
- 环形扳手(23)
- 推棒(24)
- 锯台插入件(26)
- 吸尘适配接头(33)

提示：检查电动工具是否有损坏之处。

使用电动工具之前，必须详细检查防护装置或轻微损坏的零件是否仍然运作正常。检查活动性零件是否功能正常不会被夹住，以及该零件有否受损。所有的零件都必须安装正确，并且符合规定以确保机器的正常功能。

损坏的防护装置和零件必须按照规定交给合格的专业修理厂修理或更换。

安装各部件

- 小心地从包装中取出所有的供货物品。
 - 拆除电动工具和附带附件上的所有包装材料。
 - 注意，必须拆除马达缸体下方的包装材料。
- 直接在壳体上固定以下机件：推棒(24)、环形扳手(23)、内六角扳手(22)和(21)、平行限制器(10)、角度挡块(3)、吸尘适配器(33)、带固定套件(44)的辅助平行限制器(43)、保护盖(6)。

- 如果您需要其中的某个机件，请将其小心地从储槽中取出。

定位劈开楔 (参见插图a1-a2)

提示：必要的话，在定位之前清洁所有的零部件。

- 将手柄(19)顺时针旋转到限位，使锯片(27)处于锯台上方最高位置。
- 松开夹紧杆(35)。
- 或
- 国家版本 3 601 M30 5C2：用内六角扳手(22)松开内六角螺栓(36)。
- 将劈开楔(8)朝夹紧杆(35)方向推动，直至可以朝上拉伸。
- 将劈开楔向上拉到顶，使其精确定位在锯片中央。
- 将两个销钉(37)卡入劈开楔的下部孔中，然后再次拧紧夹紧杆(35)或内六角螺栓(36)。

安装锯台插入件 (参见插图b)

- 将锯台插入件(26)钩入工具槽的后部凹槽(38)中。
- 向下引导锯台插入件。
- 按压锯台插入件，直至前部卡入工具槽。

锯台插入件(26)的正面必须与锯台齐平或略微低于锯台，背面必须与锯台齐平或略微高于锯台。

安装保护盖 (参见插图c1-c2)

提示：只有当劈开楔精确位于锯片中心上方最高处位置时，才可以安装保护盖 (参见插图a2)。如果劈开楔位于最下方位置 (交付状态或锯切凹槽的位置)，则不可以安装保护盖 (参见插图a1)。

- 松开夹紧杆(39)，然后将保护盖(6)从支架(34)中取出。
- 用手握住保护盖(6)的锯片保护装置 (上方金属导轨)，用另一只手将夹紧杆(39)向上移动。
- 将导向螺栓(40)向后推入劈开楔(8)的凹槽中。
- 向下移动保护盖(6)，直至锯片保护装置 (上方金属导轨) 与锯台(7)表面平行。
- 向下按压夹紧杆(39)。必须听到夹紧杆卡入的声音，确保保护盖(6)已牢牢安装好。

- ▶ 每次使用前，请检查保护盖是否顺畅移动。如果保护盖无法自由移动或无法立即关闭，请勿使用电动工具。

安装平行限制器 (参见插图d)

平行限制器(10)可以定位在锯片的左侧或右侧。

- 松开平行限制器(10)的夹紧手柄(41)。从而卡住V型导向件(42)。
- 首先将带V型导向件的平行限制器放入锯台的导槽(11)。然后将平行限制器定位到锯台的前部导槽(1)中。
- 现在您可以随心所欲地移动平行限制器。
- 如需固定平行限制器，请将夹紧手柄(41)向下按压。

安装辅助平行限制器 (参见插图e)

锯切狭长工件和垂直斜切角度时，必须将辅助平行限制器(43)安装到辅助平行限制器(10)上。

视需求而定，辅助平行限制器可以安装在平行限制器(10)的左侧或右侧。

安装时，请使用“辅助平行限制器”固定套件(44)（2个固定螺栓、2个垫圈、2个翼形螺母）。

- 将固定螺栓穿过平行限制器(10)上的侧孔。
- 此时螺栓头可以充当平行限制器附件的导引。
- 将辅助平行限制器(43)推到固定螺栓头上方。
- 将垫圈放到固定螺栓上，然后借助翼形螺母拧紧螺栓。

安装角度挡块（参见插图f1-f2）

- 将角度挡块(3)的导轨(45)装入规定的锯台导槽(5)中。

可以通过型材挡轨(29)加宽角度挡块，以便更好地紧靠长工件。

- 必要时，可借助固定套件(46)将型材挡轨安装到角度挡块上。

抽吸粉尘/切屑

含铅的颜料以及某些木材、矿物和金属的加工废尘有害健康。机器操作者或者工地附近的人如果接触、吸入这些废尘，可能会有过敏反应或者感染呼吸道疾病。

某些尘埃（例如加工橡木或山毛榉的废尘）可能致癌，特别是和处理木材的添加剂（例如木材的防腐剂等）结合之后。只有经过专业训练的人才能够加工含石棉的物料。

- 尽可能使用适合物料的吸尘装置。
- 工作场所要保持空气流通。
- 最好佩戴P2滤网等级的口罩。

请留心并遵守贵国和加工物料有关的法规。

尘/屑吸集装置可能因为废尘、废屑或工件的残屑而造成堵塞。

- 关闭电动工具，并且从插座中拔出插头。
- 静候让锯片完全停止转动。
- 找出造成阻塞的原因，并且排除障碍。
- ▶ **避免让工作场所堆积过多的尘垢。**尘埃容易被点燃。
- ▶ **为避免锯切金属铝时发生火灾，请清空出屑口且不要使用锯屑抽吸装置。**

清空出屑口（参见插图g）

可以清空出屑口(32)来清除工件碎屑和大切屑。

- 关闭电动工具，并且从插座中拔出插头。
- 静候让锯片完全停止转动。
- 将固定螺栓(47)用内六角扳手(22)松开。
- 拉出出屑口(32)，清除工件碎屑和切屑。
- 再度将出屑口安装在电动工具上。

外部抽吸装置（参见插图h）

使用配套的吸尘适配器(33)，以便将吸尘器与出屑口(32)连接到一起。

- 将吸尘适配器(33)和吸尘器软管牢牢插到一起。

根据工件的物料选择合适的集尘装置。

抽吸可能危害健康、可能导致癌症或干燥的废尘时，务必使用特殊的集尘装置。

固定或活动的安装方式

- ▶ **为了能够稳定地操作机器，正式使用之前，必须将电动工具固定在平坦、稳固的工作平面上（例如工作台）。**

安装在工作面上（参见插图i）

- 使用合适的螺栓连接将电动工具固定在工作面上。为此需要钻孔(12)。

安装在博世工作台上（参见插图j）

博世工作台（GTA 600）有可调整高度的桌脚，使电动工具能够站立在任何底面上。

- ▶ **阅读工作台附带的所有警告提示和说明。**如果不遵守警告提示和说明，可能会导致触电、火灾和/或严重受伤的后果。
- ▶ **安装电动工具之前必须先正确地组装工作台。**正确组装工作台非常重要，这样可以避免工作台倒塌。
- 将电动工具以运输位置安装在工作台上。

更换锯片（参见插图k1-k4）

- ▶ **在电动工具上进行所有操作之前都必须从插座上拔出电源插头。**
- ▶ **安装锯片时务必穿戴防护手套。**有受伤的危险。
- ▶ **所使用的锯片的最高许可转速必须高于电动工具的空载转速。**
- ▶ **只允许使用符合本使用说明书中和电动工具上给出的特性数据，并通过EN 847-1标准认证且有相应认证标识的锯片。**
- ▶ **只能使用由本电动工具制造商所推荐的锯片，以及适合加工物料的锯片。**
- ▶ **只能使用由本电动工具制造商所推荐的锯片，以及适合加工物料的锯片。**
- ▶ **不要使用高速钢锯片。**此类锯片容易折断。

拆卸锯片

- 将手柄(19)顺时针旋转到限位，使锯片(27)处于锯台上方最高位置。
- 打开夹紧杆(39)，将保护盖(6)从劈开楔(8)的凹槽中拉出。
- 对于国家版本 3 601 M30 5C2，还需要执行的操作：
将按钮(48)压到一起，然后将反弹锁(9)从劈开楔(8)的孔中拉出。
- 用螺丝起子机抬起锯台插入件(26)前部，然后将其从工具槽中取出。
- 用环形扳手(23)转动夹紧螺母(49)，同时拉动主轴制动杆(50)，直至卡止。
- 继续拉住制动杆，并朝着反时钟的转向拧出夹紧螺母。
- 取下夹紧法兰(51)。
- 取下锯片(27)。

安装锯片

必要的话，在安装之前清洁所有的零部件。

- 将新锯片放到工具主轴(52)的固定法兰(53)上。

提示：请勿使用过小的锯片。锯片和劈开楔之间的径向间隙不得超过3 - 8毫米。

► **安装时请注意，锯齿的锯切方向（锯片上的箭头方向）必须和劈开楔上的箭头方向一致！**

- 装上夹紧法兰(51)和夹紧螺母(49)。
- 用环形扳手(23)转动夹紧螺母(49)，同时拉动主轴制动杆(50)，直至卡止。
- 顺着时钟的转向拧紧夹紧螺母。
- 再次装入锯台插入件(26)。
- 再次安装保护盖(6)。
- 对于国家版本 **3 601 M30 5C2**，还需要执行的操作：
再次装上反弹锁(9)。

运行

► **在电动工具上进行所有操作之前都必须从插座上拔出电源插头。**

锯片的运输位置和工作位置

运输位置

- 移除保护盖(6)和锯台插入件(26)，将劈开楔(8)定位到底部位置。再次装入锯台插入件(26)。
- 将手柄(19)逆时针转动，直至锯片(27)的锯齿处于锯台(7)下方。
- 将锯台扩展件(14)向内推到底。
向下按压夹紧手柄(16)。由此固定好锯台扩展件。

工作位置

- 将劈开楔(8)精确定位到锯片中心的最上方位置，然后装入锯台插入件(26)并安装保护盖(6)。
- 将手柄(19)顺时针转动，直至锯片(27)的上部锯齿处于工件上方约3 - 6毫米的位置。

设置垂直和水平斜切角度

为了确保精确的锯切，在频繁使用之后必须检查电动工具的基本设定，必要时进行适度调整。

设置垂直斜切角度（锯片）（参见插图A）

垂直斜切角度的调整范围为 -2° 至 47° 。

- 逆时针松开锁定杆(17)。
- 提示：**完全松开锁定杆时，锯片因重力倾斜到约30度的位置。
- 沿着连杆拉动或按压手轮(18)，直至角度指示器(54)显示所需的垂直斜切角度。
- 让手轮保持在这个位置，并重新拧紧锁定杆(17)。

出厂时已设置好的限位挡块 ((62), (65)) 用于快速精确地设定垂直标准角度0度和45度。

设置水平斜切角度（角度挡块）（参见插图B）

水平斜切角度的调整范围可在 60° （左侧）至 60° （右侧）之间调整。

- 如果固定旋钮(56)被拧紧了，请先松开。
- 转动角度挡块，直至角度指示器(57)显示所需的斜切角度。

- 再次拧紧固定旋钮(56)。

加大锯台

如果工件又长又重，必须在它悬空的末端放上衬垫或做好支撑。

锯台扩展件（参见插图C）

锯台扩展件(14)可将锯台(7)向右最多扩展625毫米。

- 将锯台扩展件的夹紧手柄(16)向上拉到顶。
- 向外拉动锯台扩展件(14)，直至达到所需的长度。
- 向下按压夹紧手柄(16)。由此固定好锯台扩展件。

调整平行限制器

平行限制器(10)可以定位在锯片的左侧（黑色刻度）或右侧（银色刻度）。放大镜(28)中的标记表示刻度尺(2)上平行限制器至锯片的设定距离。将平行限制器定位至所需的锯片侧面。

在锯台未拉出时

调整平行限制器

- 松开平行限制器(10)的夹紧手柄(41)。移动平行限制器，直至放大镜(28)中的标记显示至锯片的所需距离。
锯台未拉出时，适用银色刻度尺(2)的下部标记。
- 固定时，请再次向下按压夹紧手柄(41)。

在锯台拉出时

调整平行限制器（参见插图D）

- 把平行限制器放在锯片的右侧。
移动平行限制器，直至放大镜(28)中的标记在下方刻度尺上显示26厘米。
固定时，请再次向下按压夹紧手柄(41)。
- 将锯台扩展件的夹紧手柄(16)向上拉到顶。
- 向外拉动锯台扩展件(14)，直至距离指示器(58)在上方刻度尺上显示至锯片的所需距离。
- 向下按压夹紧手柄(16)。
由此固定好锯台扩展件。

设置辅助平行限制器（参见插图E）

锯切狭长工件和垂直斜切角度时，必须将辅助平行限制器(43)安装到平行限制器(10)上。

视需求而定，辅助平行限制器可以安装在平行限制器(10)的左侧或右侧。

锯割时工件可能卡在平行限制器和锯片之间，上升中的锯片会钩住该工件并将它向外抛开。因此要调整好平行限制器的附件，得让导引的尽头位在锯片最前端的锯齿和劈开楔的前缘之间。

- 为此，松开固定套件(44)的所有翼形螺母并移动辅助平行限制器，直至仅两个前部螺栓用于固定。
- 再度拧紧翼形螺母。

调整劈开楔

劈开楔(8)可以防止锯片(27)卡在锯缝中。如果锯片被夹在工件中可能产生反弹。

因此要随时注意，是否已经正确地调整好劈开楔：

- 锯片和劈开楔之间的径向间隙不得超过3 - 8毫米。
- 劈开楔的厚度必须小于锯缝的宽度，并且大于锯片主体的厚度。
- 劈开楔必须总是和锯片位在同一直线上。
- 就一般的分割线而言，劈开楔必须尽可能地位在最高的位置。

设置劈开楔的高度（参见插图F）

剖凹槽时必须调整劈开楔的高度。

▶ 仅可在装备相应保护装置（比如通道保护罩、推力环）的情况下使用电动工具来开槽或翻边。

- 打开夹紧杆(39)，将保护盖(6)从劈开楔(8)的凹槽中拉出。
为避免保护罩损坏，请将其存放在规定的壳体支架(34)上（另见图片O1）。
- 对于国家版本 3 601 M30 5C2，还需要执行的操作：
将按钮(48)压到一起，然后将反弹锁(9)从劈开楔(8)的孔中拉出。
为妥善存放反弹锁，请将其固定到规定的壳体支架(74)上（另见图片O1）。
- 将手柄(19)顺时针旋转到限位，使锯片(27)处于锯台上方最高位置。
- 松开夹紧杆(35)。
或
国家版本 3 601 M30 5C2：用内六角扳手(22)松开内六角螺栓(36)。
- 将劈开楔从销钉(37)上拉开（略微向外拉动夹紧杆(35)），然后向下移动劈开楔(8)，直至限位。
- 将两个销钉(37)卡入劈开楔的上部孔中，然后再次拧紧夹紧杆(35)。

投入使用

▶ **注意电源电压！** 电源的电压必须和电动工具铭牌上标示的电压一致。

接通（参见插图G1）

- 向上翻起安全挡板(20)。
- 调试时，请按压绿色的起动开关(59)。
- 再次落下安全挡板(20)。

关闭（参见插图G2）

- 按压安全挡板(20)。

停电

本机器的起停开关是所谓的零位开关。它可以防止电动工具在停电之后（例如在操作中中途拔出电源插头）自行起动。

为了此后再次使用电动工具，必须重新按压绿色的起动开关(59)。

工作提示

一般性的锯切提示

- ▶ 进行任何锯割之前必须先确定锯片绝对不会碰触挡块或其它的机件。
- ▶ 仅可在装备相应保护装置（比如通道保护罩、推力环）的情况下使用电动工具来开槽或翻边。
- ▶ 不得将本电动工具用于开槽（末端在工件内的槽）。

保护锯片免受冲撞和敲击。不可以侧压锯片。劈开楔必须和锯片位在同一直线上，以预防工件被夹住。

不可以加工变形的工件。为了能够紧靠在平行限制器上，工件至少必须具有一道笔直的边缘。

推棒要存放在电动工具上。

操作者的位置（参见插图H）

- ▶ 站立时切勿与锯片成直线。身体和挡块要位于锯片的同一侧。弹回会以极高速度将加工工件推向站在锯片前方、与锯片呈直线排列的人。
- 手掌、手指和手臂必须远离转动中的锯片。

请注意以下各指示：

- 使用双手握好工件并将工件牢牢地压在锯台上。
- 锯切狭长工件和垂直斜切角度时，应始终使用配套的推棒(24)和辅助平行限制器(43)。

最大工件尺寸

| 垂直斜切角度 | 最大工件高度 [毫米] |
|--------|-------------|
| 0度 | 79 |
| 45度 | 56 |

锯切

锯割直线

- 将平行限制器(10)调整到所需的切割宽度。
- 将工件放到锯台的保护盖(6)前部。
- 通过手柄(19)尽可能地升高或降低锯片，直至锯片(27)的上部锯齿处于工件上方约3 - 6毫米的位置。
- 接通电动工具的电源。
- 施力均匀地锯切工件。
如果施力过大，则锯片尖可能过热，工件可能会损坏。
- 关闭电动工具并等待，直至锯片完全停止转动。

锯割垂直方向的斜切角度

- 请设置所需的锯片垂直斜切角度。
锯片向左倾斜时，平行限制器(10)必须位于锯片的右侧。
- 遵循相应的工作步骤：（参见“锯割直线”，页 35）

锯切水平斜切角度（参见插图I）

- 请通过角度挡块(3)设置所需的水平斜切角度。
- 将工件放到型材挡轨(29)上。
型材不可以放在锯线上。这种情况下，请松开滚花螺母(60)并移动型材挡轨。

- 通过手柄(19)尽可能地升高或降低锯片，直至锯片(27)的上部锯齿处于工件上方约3 - 6毫米的位置。
- 接通电动工具的电源。
- 用一只手对着型材挡轨(29)按压工件，再用另一只手通过固定旋钮(56)缓慢地在导槽(5)中向前移动角度挡块。
- 关闭电动工具并等待，直至锯片完全停止转动。

检查和调整基本设定

为了确保精确的锯切，在频繁使用之后必须检查电动工具的基本设定，必要时进行适度调整。

检查时不仅要有足够的经验，而且还要使用特殊工具。

博世的客户服务中心能够快速可靠地执行这项工作。

调整垂直标准斜切角度0度/45度的挡块

- 将电动工具调整在工作位置上。
- 请设置锯片的0度垂直斜切角度。
- 拆下保护盖(6)。

检查 (参见插图J1)

- 将角规调整到90度并将其放到锯台(7)上。角规的支脚必须与锯片(27)在整个长度上齐平。

调整 (参见插图J2)

- 松开螺栓(61)。从而可以移动0度挡块(62)。
- 松开锁定杆(17)。
- 对着0度挡块推动手轮(18)，直至角规的支脚和锯片在整个长度上齐平。
- 让手轮保持在这个位置，并重新拧紧锁定杆(17)。
- 重新拧紧螺栓(61)。

如果角度指示器(54)在调整后未指向刻度尺(55)的0度标记线，请用市售十字螺丝刀松开螺栓(63)，并沿着0度标记校准角度指示器。

对于45度的垂直斜切角度，请相应地执行上述工作步骤（松开螺栓(64)；移动45度挡块(65)）。同时不得再次调整角度指示器(54)。

锯片与角度挡块导槽的平行度 (参见插图K)

- 将电动工具调整在工作位置上。
- 移除保护盖(6)。

检查

- 用铅笔标出锯台插件上方后部可看到的第一个左锯齿。
 - 将角规调整到90度，并将其放到导槽(5)的边缘上。
 - 移动角规的支脚，直至触碰到标记的锯齿，然后读取锯片和导槽之间的距离。
 - 转动锯片，直至标记的前部锯齿位于锯台插件上方。
 - 沿着导槽移动角规，并将它移动到被做上记号的锯齿上。
 - 再度测量锯片和导槽之间的距离。
- 这两个测量值必须相同。

调整

- 用配套的内六角扳手(22)松开锯台下方的前部内六角螺栓(66)和锯台下方的后部内六角螺栓(67)。
- 小心地移动锯片，直至与导槽(5)平行。
- 重新拧紧所有螺栓(66)和(67)。

距调整锯台的距离指示器 (参见插图L)

- 把平行限制器放在锯片的右侧。移动平行限制器，直至放大镜(28)中的标记在下方刻度尺上显示26厘米。
- 固定时，请再次向下按压夹紧手柄(41)。
- 将夹紧手柄(16)向上拉到顶，然后将锯台扩展件(14)向外拉动，直至挡块。

检查

距离指示器(58)在上部刻度尺(2)上显示的数值必须与放大镜(28)下部刻度尺(2)上的标记相同。

调整

- 向外拉动锯台扩展件(14)，直至挡块。
- 用十字螺丝刀松开螺栓(68)，并沿着上部刻度尺(2)的26厘米标记校准距离指示器(58)。

调整平行限制器的平行度 (参见插图M)

- 将电动工具调整在工作位置上。
- 移除保护盖(6)。
- 松开并移动平行限制器的夹紧手柄(41)，直至与锯片接触。

检查

平行限制器(10)必须在整个长度上接触锯片。

调整

- 用随附的内六角扳手(22)松开内六角螺栓(69)。
- 小心地移动平行限制器(10)，直至在整个长度上接触锯片。
- 让平行限制器保持在这个位置，并重新向下按压夹紧手柄(41)。
- 重新拧紧内六角螺栓(69)。

调整平行限制器的张力

频繁使用后可能会减弱平行限制器(10)的张力。

- 拧紧调整螺栓(25)，直至平行限制器可以再次牢固地固定到锯台上。

调整平行限制器的放大镜 (参见插图M)

- 将电动工具调整在工作位置上。
- 去除保护盖(6)。
- 从右侧移动平行限制器(10)，直至接触到锯片。

检查

放大镜(28)的标记必须与刻度尺(2)的0毫米标记成一条线。

调整

- 用十字螺丝刀松开螺栓(70)，然后沿着0毫米标记对齐标记。

调整锯台插件的水平高度 (参见插图N)

检查

锯台插件(26)的正面必须与锯台齐平或略微低于锯台，背面必须与锯台齐平或略微高于锯台。

调整

- 移除锯台插入件(26)。
- 用内六角扳手(22)正确调整四个调整螺栓(71)的水平高度。

存储和运输

存放机件 (参见插图O1-O5)

本电动工具也提供了存放机件的机会，您可以将某些机件固定在电动工具上。

- 松开平行限制器(10)上的辅助平行限制器(43)。
- 将所有已松下的机件插到壳体的储存槽中(参见下表)。

| 图 片 | 机件 | 储存槽 |
|--------|--------------------------------|---------------------------|
| O1 | 保护盖(6) | 挂到支架的凹槽(34)中并用夹紧杆(39)拧紧 |
| O1 | 反弹锁(9) (国家版本 3 601 M30 5C2) | 将按钮(48)压到一起，然后卡入支架(74)的孔中 |
| O2 | “辅助平行限制器”固定套件(44) | 卡入支架(72) |
| O2 | 吸尘适配器(33) | 推入固定夹(73) |
| O3 | 环形扳手(23) | 用固定螺母(75)固定到工具槽中 |
| O3 | 推棒(24) | 挂到固定螺母(75)上方并通过移动进行固定 |
| O4 | 平行限制器(10) | 转动，从下方挂入导轨，固定住夹紧手柄(41) |
| O5 | 内六角扳手(22) 内六角扳手(21) | 推入支架(76) |
| O5 | 角度挡块(3) | 推入固定夹(77) |
| O5 | 辅助平行限制器(43) | 推入固定夹(31) (短边向上; 长边向后) |

搬运电动工具

运输电动工具之前必须先执行以下各步骤:

- 将电动工具调整在运输位置上。
- 拆除所有无法固定安装在电动工具上的附件。运输时必须尽可能把不使用的锯片放置在封闭的盒子中。
- 将锯台扩展件(14)向内移到底，然后向下按压夹紧手柄(16)来固定。
- 将电源线缠到电线支架(30)上。
- 需要提升或搬运时可使用提柄(13)。
- ▶ **搬动电动工具时只能使用运输装置，不可以利用防护装置来运输电动工具。**

维修和服务

维护和清洁

- ▶ **在电动工具上进行所有操作之前都必须从插座上拔出电源插头。**
- ▶ **电动工具和通气孔必须随时保持清洁，以确保工作效率和工作安全。**

如果必须更换连接线，务必把这项工作交给Bosch或者经授权的Bosch电动工具顾客服务执行，以避免危害机器的安全性能。

清洁

每次工作结束后，使用压缩空气或毛刷清除机器上的灰尘和锯屑。

润滑电动工具



润滑剂:

发动机油SAE 10/SAE 20

- 必要时润滑电动工具，请在指示的位置添加润滑油(参见插图P)。

经过授权的博世客户服务中心，能够既快速又可靠地执行上述工作。

- ▶ **必须根据环保单位的规定处理不用的润滑油和清洁剂。务必遵守法律的规定。**

降低噪音的措施

制造商提供的方法:

- 缓速启动
- 提供特别为了降低噪音而研发的锯片

操作者自己能做的措施:

- 将机器安装在稳固的工作面上，可以降低震动
- 使用具备了降低噪音功能的锯片
- 定期清洁锯片和电动工具

附件

| | 物品代码 |
|--------------------------|---------------|
| 集尘袋 | 2 610 015 511 |
| 吸尘适配器 | 2 610 015 509 |
| Y型转接头TsvH 3 | 2 610 015 513 |
| 角度挡块 | 2 610 015 507 |
| 推棒 | 2 610 015 022 |
| 工作台GTA 600 | 0 601 B22 001 |
| 用于木材和板材、装饰板和木条的锯片 | |
| 锯片, 254 x 25.4毫米, 40齿 | 2 608 640 901 |
| 锯片, 254 x 25.4毫米, 60齿 | 2 608 640 902 |

客户服务和应用咨询

本公司顾客服务处负责回答有关本公司产品的修理、维护和备件的问题。备件的展开图纸和信息也可查看: www.bosch-pt.com
博世应用咨询团队乐于就我们的产品及其附件问题提供帮助。

询问和订购备件时，务必提供机器铭牌上标示的10位数物品代码。

中国大陆

博世电动工具（中国）有限公司
 中国 浙江省 杭州市
 滨江区 滨康路567号
 102/1F 服务中心
 邮政编码: 310052
 电话: (0571)8887 5566 / 5588
 传真: (0571)8887 6688 x 5566# / 5588#
 电邮: bsc.hz@cn.bosch.com
 www.bosch-pt.com.cn

制造商地址:

Robert Bosch Power Tools GmbH
 罗伯特·博世电动工具有限公司
 70538 Stuttgart / GERMANY
 70538 斯图加特 / 德国

其他服务地址请见:

www.bosch-pt.com/serviceaddresses

处理废弃物

必须以符合环保要求的方式回收再利用电动工具、附件和包装材料。



请勿将电动工具扔到生活垃圾中!

繁體中文**安全注意事項****電動工具一般安全注意事項**

警告 請詳讀工作臺及電動工具的所有安全警告與使用說明。若不遵照以下列出的指示，將可能導致電擊、著火和/或人員重傷。

保存所有警告和說明書以備查閱。

在所有警告中，「電動工具」此一名詞泛指：以市電驅動的（有線）電動工具或是以電池驅動的（無線）電動工具。

工作場地的安全

- ▶ **保持工作場地清潔和明亮。** 混亂和黑暗的場地會引發事故。
- ▶ **不要在易爆環境，如有易燃液體、氣體或粉塵的環境下操作電動工具。** 電動工具產生的火花會點燃粉塵或氣體。
- ▶ **讓兒童和旁觀者離開後操作電動工具。** 注意力不集中會使您失去對工具的控制。

電氣安全

- ▶ **電動工具插頭必須與插座相配。** 絕不能以任何方式改裝插頭。需接地的電動工具不能使用任何轉換插頭。未經改裝的插頭和相配的插座將減少電擊危險。

- ▶ **避免人體接觸接地表面，如管道、散熱片和冰箱。** 如果您身體接地會增加電擊危險。
- ▶ **不得將電動工具暴露在雨中或潮濕環境中。** 水進入電動工具將增加電擊危險。
- ▶ **不得濫用電線。** 絕不能用電線搬運、拉動電動工具或拔出其插頭。使電線遠離熱源、油、銳利邊緣或移動零件。受損或纏繞的軟線會增加電擊危險。
- ▶ **當在戶外使用電動工具時，使用適合戶外使用的延長線。** 適合戶外使用的軟線，將減少電擊危險。
- ▶ **如果在潮濕環境下操作電動工具是不可避免的，應使用剩餘電流動作保護器（RCD）。** 使用RCD可降低電擊危險。

人身安全

- ▶ **保持警覺，當操作電動工具時關注所從事的操作並保持清醒。** 當您感到疲倦，或在有藥物、酒精或治療反應時，不要操作電動工具。在操作電動工具時瞬間的疏忽會導致嚴重人身傷害。
- ▶ **使用個人防護裝置。** 始終佩戴護目鏡。安全裝置，諸如適當條件下使用防塵面具、防滑安全鞋、安全帽、聽力防護等裝置能減少人身傷害。
- ▶ **防止意外起動。** 確保開關在連接電源和/或電池盒、拿起或搬運工具時處於關閉位置。手指放在已接通電源的開關上或開關處於接通時插入插頭可能會導致危險。
- ▶ **在電動工具接通之前，拿掉所有調節鑰匙或扳手。** 遺留在電動工具旋轉零件上的扳手或鑰匙會導致人身傷害。
- ▶ **手不要伸展得太長。** 時刻注意立足點和身體平衡。這樣在意外情況下能很好地控制電動工具。
- ▶ **著裝適當。** 不要穿寬鬆衣服或佩戴飾品。讓您的衣物及頭髮遠離運動部件。寬鬆衣服、佩飾或長髮可能會捲入運動部件中。
- ▶ **如果提供了與排屑、集塵設備連接用的裝置，要確保他們連接完好且使用得當。** 使用這些裝置可減少塵屑引起的危險。
- ▶ **切勿因經常使用工具所累積的熟練感而過度自信，輕忽工具的安全守則。** 任何一個魯莽的舉動都可能瞬間造成人員重傷。

電動工具使用和注意事項

- ▶ **不要濫用電動工具，根據用途使用適當的電動工具。** 選用適當設計的電動工具會使您工作更有效、更安全。
- ▶ **如果開關不能開啟或關閉工具電源，則不能使用該電動工具。** 不能用開關來控制的電動工具是危險的且必須進行修理。
- ▶ **在進行任何調整、更換配件或貯存電動工具之前，必須從電源上拔掉插頭並/或取出電池盒。** 這種防護性措施將減少工具意外起動的危險。
- ▶ **將閒置不用的電動工具貯存在兒童所及範圍之外，並且不要讓不熟悉電動工具或對這些說明不瞭解的人操作電動工具。** 電動工具在未經培訓的用戶手中是危險的。
- ▶ **保養電動工具與配備。** 檢查運動件是否調整到位或卡住，檢查零件破損情況和影響電動工具運行

的其他狀況。如有損壞，電動工具應在使用前修理好。許多事故由維護不良的電動工具引發。

- ▶ 保持切削刀具鋒利和清潔。保養良好的有鋒利切削刃的刀具不易卡住而且容易控制。
- ▶ 按照使用說明書，考慮作業條件和進行的作業來使用電動工具、配件和工具的刀頭等。將電動工具用於那些與其用途不符的操作可能會導致危險。
- ▶ 把手及握持區應保持乾燥、潔淨，且不得沾染任何油液或油脂。易滑脫的把手及握持區將無法讓您在發生意外狀況時安全地抓緊並控制工具。

檢修


- ▶ 將您的電動工具送交專業維修人員，必須使用同樣的備件進行更換。這樣將確保所維修的電動工具的安全性。

圓鋸台安全說明

防護裝置相關警示

- ▶ 將防護裝置放好。防護裝置功能需正常且正確安裝。鬆脫、損壞或功能不正常的防護裝置均必須修復或更換。
- ▶ 每次切割作業均必須使用鋸片防護裝置、劈刀及防反彈裝置。針對鋸片會將加工件的整個厚度均切開的切割作業，防護裝置與其他安全裝置有助於降低受傷風險。
- ▶ 在完成需要拆除防護裝置、劈刀及（或）防反彈裝置的作業（如開槽口、刨槽或二次鋸切等）後請立即重新裝上防護系統。防護裝置、劈刀與防反彈裝置有助於降低受傷風險。
- ▶ 在啟動前請確認鋸片未與防護裝置、劈刀或加工件接觸。鋸片意外接觸這些東西可能會造成危險。
- ▶ 請依本說明書中的指示來調整劈刀。不正確的間隔、定位和校準皆可能會無法有效降低劈刀反彈的情況。
- ▶ 若要使用劈刀及防反彈裝置，必須將其與工件啮合。若加工件過短而無法啟動劈刀和防反彈裝置，則劈刀及防反彈裝置無法運作。在此情況下，劈刀及防反彈裝置會無法防止反彈。
- ▶ 使用適當的劈刀鋸片。為使劈刀正常運作，鋸片直徑必須與劈刀配合且鋸片刀體必須比劈刀薄且鋸片的切割寬度必須比劈刀的厚度寬。

切割程序警示

- ▶  **危險：請勿將您的手或手指放在鋸片附近或其路徑上。**一不小心或滑動，均可能讓您的手靠近鋸片而造成嚴重的人身傷害。
- ▶ 將加工件推向鋸片時請務必與旋轉方向相反。若以和鋸片在鋸台上旋轉的方向相同之方向推入加工件，均可能使加工件及您的手被鋸片拉過去。
- ▶ 在劈鋸作業時切勿使用角度量規推送加工件，且搭配角度量規進行交叉切割時請勿用碎片護欄作為長度擋塊。同時用碎片護欄及角度量規會增加鋸片卡住及反彈的機會。
- ▶ 進行劈鋸作業時，請從護欄與鋸片間推送加工件。當護欄與鋸片間的距離小於150 mm時請使

用推桿，當距離小於50 mm時則請使用推塊。「作業協助」裝置可讓您的手與鋸片保持安全距離。

- ▶ 請僅使用製造商提供或依說明製作的推桿。此推桿可讓手與鋸片保持足夠的距離。
- ▶ 請勿使用損壞或切斷的推桿。損壞的推桿可能會斷掉而讓您的手滑到鋸片中。
- ▶ 請勿「徒手」進行任何操作。請務必使用碎片護欄或角度量規進行加工件定位與導引。「徒手」指用手代替碎片護欄或角度量規支撐或引導加工件。徒手鋸切會造成不對齊、卡住或反彈。
- ▶ 請勿靠近接近轉動中的鋸片。嘗試接觸加工件時可能會意外與移動中的鋸片接觸。
- ▶ 針對長且／或寬的加工件請在鋸台後方及／或兩側使用輔助工作件支撐裝置使其保持水平。長且／或寬的加工件易在鋸台邊緣處翻覆，造成失控、鋸片卡住及反彈。
- ▶ 請以穩定的節奏推送加工件。請勿彎折或扭曲加工件。若發生卡住的情況，請立即將工具關閉，把電源拔掉後排除卡住的情況。鋸片被加工件卡住為造成反彈或使馬達空轉。
- ▶ 請勿在鋸片運作時將切掉的材料去除。這些材料可能會卡在護欄間或鋸片內而將您的手指拉向鋸片。移除材料前請關閉鋸片並等其完全停止。
- ▶ 在劈鋸厚度低於2 mm的加工件時，請在鋸台上方使用輔助護欄。較薄的加工件可能會落到碎片護欄底下而造成反彈。

反彈原因與相關警告

反彈是加工件因擠壓、卡住的鋸片或加工件的切割線與鋸片不對齊，或部分加工件卡在鋸片與碎片護欄或其他固定物間所造成的情況。

通常在反彈時，加工件會被鋸片的後段從鋸台上升起並朝操作員飛過來。

反彈是不當使用電鋸及／或操作程序（條件）不正確所造成的結果。採取以下適當預防措施，則可避免此一情況。

- ▶ 請勿站在鋸片的延伸線上。隨時站在鋸片旁有護欄的那一側。反彈會使加工件高速飛向站在鋸片延伸線上的人員。
- ▶ 請勿從鋸片後方拉動或支撐加工件。如此可能會意外接觸鋸片或因反彈而將手指拉進鋸片中。
- ▶ 請勿將切割中的加工件旋轉中的鋸片壓。將加工件朝鋸片壓會造成卡住的情況或反彈。
- ▶ 將護欄與鋸片保持平行。未校準的護欄會將加工件朝鋸片擠壓而造成反彈。
- ▶ 進行非穿透式切割如開槽口、刨槽或二次鋸切時，請使用羽毛板引導加工件進入鋸台與護欄。羽毛板有助於在反彈時控制加工件。
- ▶ 支撐控制板以降低鋸片卡住及發生反彈的風險。大型控制板可能因其本身的重量而下垂。支撐裝置必須位於控制板懸在鋸台外的部分之下方。
- ▶ 切割扭曲、交錯、捲曲或無垂直邊緣可使用角度量規或沿護欄引導之加工件時請特別小心。捲曲、交錯或扭曲的加工件會不穩定並造成鋸片不對齊、卡住及反彈的情況。

- ▶ 請勿以垂直或水平堆疊的方式一次切割多個加工件。鋸片會推起多個加工件而造成反彈。
- ▶ 當在加工件中重新啟動鋸片時，請將鋸片與切割線對齊讓鋸齒不會卡在材料中。若鋸片卡住，可能會使加工件升起而在鋸片重新啟動時造成反彈。
- ▶ 請保持鋸片清潔、銳利並有充足的鋸齒量。切勿使用扭曲的鋸片或有破損之鋸牙的鋸片。尖銳且鋸齒量足的鋸片可降低卡住、空轉及反彈的情況。

圓鋸台操作程序警告

- ▶ 拆卸鋸台插件、更換鋸片或調整劈刀、防反彈裝置或鋸片防護裝置及機器無人操作時，請關閉圓鋸台並拔掉電源線。採取預防措施有助於避免意外。
- ▶ 請勿將運作中的圓鋸台處於無人管理的狀態。請將其關閉並等到其完全停住後再離開。運轉中但無人管理的鋸片會有意外風險。
- ▶ 請將圓鋸台放在光線充足且水平的區域，讓您能有穩定站立的空間。其應安裝在能讓您有足夠空間控制您加工件的區域中。狹窄、陰暗且不平坦且失滑的地面容易造成意外。
- ▶ 請常清潔並清除鋸台下方及（或）塵屑收集裝置中的鋸屑。堆積的鋸屑具易燃性，可能會自燃。
- ▶ 圓鋸台必須妥善固定。未妥善固定的圓鋸台可能會移動或翻覆。
- ▶ 在啟動圓鋸台前請將工具、木塊等從鋸台上移開。否則可能會造成分心或有卡住的危險。
- ▶ 請務必使用具備正確尺寸和心軸形狀（鑽石或圓形）的鋸片。不符合鋸片安裝硬體的刀片在運轉時將會偏離中心，進而導致失控。
- ▶ 請勿使用損壞或不正確的鋸片安裝工具如法蘭、鋸片墊片、螺絲或螺帽等。這些安裝工具是針對您的鋸台專門設計，能確保其運作安全與性能。
- ▶ 請勿站在圓鋸台上，請勿用其當作踏腳台。若工具翻覆或不小心接觸到切割工具，會造成嚴重的傷害。
- ▶ 安裝鋸片時請確認其轉動的方向正確。請勿在圓鋸台上使用研磨輪、鋼絲刷或砂磨輪。未妥當安裝鋸片或使用非建議之配件均會造成嚴重受傷。

其他安全注意事項

- ▶ 安裝鋸片時務必穿戴防護手套。人員可能有受傷之虞。
- ▶ 請勿使用高合金快速鋼（HSS）材質的鋸片。此類鋸片容易折斷。
- ▶ 操作工具時一定要使用工作桌嵌件。工作桌嵌件如已故障，請更換之。少了完好的工作桌嵌件，您可能會被鋸片割傷。
- ▶ 作業區請保持整潔。複合材質是極具危險性的材質。輕質合金粉塵可能會起火或爆炸。
- ▶ 請您根據欲進行加工的材料，選用合適的鋸片。
- ▶ 根據本說明書中以及本電動工具上載述的技術數據，選擇合適的鋸片。必須選用通過 EN 847-1 認證而且具有此一認證標示的鋸片。

- ▶ 只能使用由本電動工具製造商推薦且適用於加工材料的鋸片。
- ▶ 唯有在鋸片已處於運作狀態下，才可將工件移過去進行加工。否則如果鋸片卡在工件中，會有反彈的危險。

符號

以下符號可以幫助您正確地使用本電動工具。請牢記各符號和它們的代表意義。正確了解各符號代表的意思，可以幫助您更有把握更安全地操作本電動工具。

符號和它們的代表意義



當電動工具運轉時，切勿把手放在鋸切範圍內。手如果觸碰鋸片有被割傷的危險。



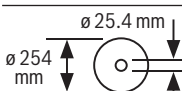
請佩戴防塵面罩。



請佩戴耳罩。工作噪音會損壞聽力。

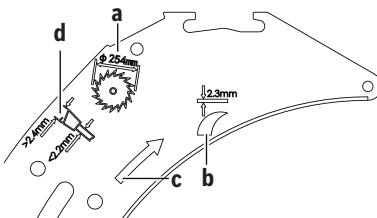


請佩戴護目鏡。



請注意鋸片的尺寸。鋸片上的內孔直徑必須和工具主軸完全吻合，不能有空隙。如果必須使用異徑管，則應注意：異徑管尺寸必須與鋸片主體厚度、鋸片內孔直徑以及工具主軸直徑相配。請儘可能使用鋸片隨附的異徑管。

鋸片直徑必須與符號上的數值相符。



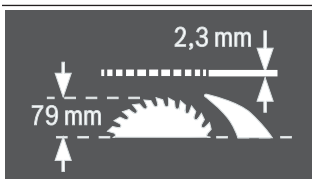
a 鋸片直徑的最大容許值是 254 mm。

b 劈開楔的厚度是 2.3 mm。

符號和它們的代表意義

c 鋸齒的鋸切方向（即鋸片上的箭頭指示方向）必須與劈開楔上的箭頭指示方向一致。

d 更換鋸片時請注意：鋸切寬度不得小於 2.4 mm 且鋸片主體的厚度不得大於 2.2 mm。否則劈開楔有卡在工件中之虞。



劈開楔的厚度是 2.3 mm。

能處理的最大工件高度是 79 mm。

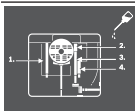


左邊：

為您指示降低（進入搬運位置）及升高（進入工作位置）鋸片時手搖桿應旋轉的方向。

右邊：

為您指示想要固定鋸片時制動桿應設定的位置以及調整垂直斜鋸角時制動桿應設定的位置（鋸片可翻轉）。



視需要潤滑電動工具，請在指示的位置添加潤滑油。



絕緣等級 II 的電動工具代表該產品採用加強絕緣或是雙重絕緣的設計。



CE 標章代表製造商認證此電動工具符合歐盟現行指令。

產品和規格



請詳讀所有安全注意事項和指示。如未遵守安全注意事項與指示，可能導致火災、人員遭受電擊及／或重傷。

請留意操作說明書中最前面的圖示。

依規定使用機器

本電動工具適合以站立的方式在軟木和硬木，塑合板和纖維板上進行縱向與橫向的直線鋸切。此時可加工的水平斜鋸角為 -60° 至 $+60^\circ$ ，可加工的垂直斜鋸角為 -2° 至 47° 。

安裝合適的鋸片後，也可以鋸切鋁製型材和塑膠。

插圖上的機件

機件的編號和電動工具詳解圖上的編號一致。

- (1) 平行擋塊的導槽
- (2) 鋸片與平行擋塊之間的距離刻度尺
- (3) 角度擋塊
- (4) 把手凹槽
- (5) 角度擋塊的導槽
- (6) 護罩
- (7) 鋸台
- (8) 劈開楔
- (9) 反彈制止裝置^{A)}
- (10) 平行擋塊
- (11) 鋸台上供平行擋塊使用的 V 形導槽
- (12) 安裝孔
- (13) 提把
- (14) 鋸台加寬件
- (15) 用於工作台 GTA 600 的固定夾圈
- (16) 鋸台加寬件的緊固握把
- (17) 制動桿，用來調整垂直方向的斜角鋸切角度
- (18) 手轉輪
- (19) 用來升高和降低鋸片的手搖柄
- (20) 起停開關的安全掀蓋
- (21) 內六角扳手 (2 mm)
- (22) 內六角扳手 (5 mm)
- (23) 環形扳手 (23 mm)
- (24) 推棒
- (25) 平行擋塊夾力校正螺栓
- (26) 鋸台嵌件
- (27) 鋸片
- (28) 放大鏡
- (29) 型材擋軌
- (30) 電線托架
- (31) 用以收納輔助平行擋塊的固定夾
- (32) 出屑口
- (33) 吸塵轉接頭
- (34) 用以收納護罩的托架
- (35) 劈開楔的夾緊桿
- (36) 劈開楔的內六角螺栓^{A)}
- (37) 劈開楔的定位插銷
- (38) 供鋸台嵌件使用的開口
- (39) 護罩的夾緊桿
- (40) 護罩的導向銷
- (41) 平行擋塊的緊固握把
- (42) 平行擋塊的 V 形導向件
- (43) 輔助平行擋塊
- (44) 「輔助平行擋塊」固定套件

- (45) 角度擋塊的導引軌
- (46) 「型材擋軌」固定套件
- (47) 出屑口的固定螺栓
- (48) 可讓您抽回反彈制止裝置導向銷的按鈕^{A)}
- (49) 迫緊螺母
- (50) 主軸制動桿
- (51) 緊固法蘭
- (52) 工具主軸
- (53) 配接法蘭
- (54) 角度指針 (垂直)
- (55) 斜鋸角刻度尺 (垂直)
- (56) 偏斜鋸角的鎖定旋鈕 (水平)
- (57) 角度擋塊上的角度指針
- (58) 鋸台上的距離指針
- (59) 啟動鈕
- (60) 固定型材擋軌的滾花螺母
- (61) 可調整 0° 擋塊的十字螺栓
- (62) 0° 斜鋸角擋塊 (垂直)
- (63) 角度指針的固定螺栓 (垂直)
- (64) 可調整 45° 擋塊的十字螺栓
- (65) 45° 斜鋸角擋塊 (垂直)
- (66) 用以將鋸片調成平行的前方內六角螺栓 (5 mm)
- (67) 用以將鋸片調成平行的後方內六角螺栓 (5 mm)
- (68) 固定鋸台之距離指針的螺栓
- (69) 用以將平行擋塊調成平行的內六角螺栓 (5 mm)
- (70) 固定平行擋塊之距離指針的螺栓
- (71) 鋸台嵌件的校正螺栓
- (72) 用以收納「輔助平行擋塊」固定套件的托架
- (73) 用以收納吸塵轉接頭的固定夾
- (74) 用以收納反彈制止裝置的托架^{A)}
- (75) 環形扳手的固定螺母，也可以拿來懸掛推棒
- (76) 用以收納內六角扳手的托架
- (77) 用以收納角度擋塊的固定夾

A) 國家規格編號 3 601 M30 5C2

技術性數據

| 桌上型圓鋸機 | | GTS 10 J |
|-----------------------------|-------|---------------|
| 產品機號 | | 3 601 M30 5.. |
| 額定輸入功率 | W | 1800 |
| 額定電壓 | V | 220-240 |
| 頻率 | Hz | 50/60 |
| 無負載轉速 | 次 / 分 | 3650 |
| 起動限流器 | | ● |
| 重量符合 EPTA-Procedure 01:2014 | kg | 26.2 |

| 桌上型圓鋸機 | | GTS 10 J |
|---------------|----|-----------------|
| 絕緣等級 | | □/II |
| 尺寸 (包含可拆式機件) | | |
| 寬度 x 深度 x 高度 | mm | 640 x 706 x 330 |
| 適用鋸片的尺寸 | | |
| 鋸片直徑 | mm | 254 |
| 鋸片主體的厚度 | mm | < 2.2 |
| 最小鋸齒厚度 / 鋸齒斜度 | mm | > 2.4 |
| 孔徑 | mm | 25.4 |

最大工件尺寸：(參見「最大工件尺寸」，頁 46)

本說明書提供的參數是以 230 伏特為依據，於低電壓地區，此數據有可能不同。

安裝

▶ 請避免意外啟動電動工具。安裝時以及進行電動工具的維護修理工作時，機器的插頭都不可以插在插座中。

供貨範圍

初次使用本電動工具之前，先檢查以下各部件是否包含在供貨範圍中：

- 桌上型圓鋸機包含已裝上的鋸片 (27) 以及劈開塊 (8)
- 角度擋塊 (3)
- 型材擋軌 (29)
- 「型材擋軌」固定套件 (46) (導向板、滾花螺母、螺栓、墊片)
- 平行擋塊 (10)
- 輔助平行擋塊 (43)
- 「輔助平行擋塊」固定套件 (44) (3 顆固定螺栓、3 個墊片、3 個蝶翼螺母)
- 護罩 (6)
- 反彈制止裝置 (9) (國家規格編號 3 601 M30 5C2)
- 內六角扳手 (22)
- 內六角扳手 (21)
- 環形扳手 (23)
- 推棒 (24)
- 鋸台嵌件 (26)
- 吸塵轉接頭 (33)

提示：檢查電動工具是否有壞損之處。

使用電動工具之前，必須仔細檢查防護裝置或輕微損壞的零件是否仍然運作正常。檢查活動零件是否功能正常、沒有被卡死，以及是否有任何零件有否受損。所有零件都必須安裝正確，並且符合規定以確保機器能夠正常運作。損壞的防護裝置和零件必須按照規定交給合格的專業修理廠修理或更換。

安裝各部件

- 小心地從包裝中取出所有隨附零件。
- 拆除電動工具和隨附配件上的所有包裝材料。
- 注意，必須拆除馬達缸體下方的包裝材料。

直接固定在機殼上的機件如下：推棒 (24)、環形扳手 (23)、內六角扳手 (22) 和 (21)、平行擋塊 (10)、角度擋塊 (3)、吸塵轉接頭 (33)、輔助平行擋塊 (43) 及其固定套件 (44)、護罩 (6)。

– 若您需要使用其中任一機件，請小心地將它從收納位置上取出。

將劈開楔移至正確工作位置 (請參考圖 a1-a2)

提示：必要時，請在移至正確工作位置前，清潔所有有待安裝的零部件。

- 將手搖桿 (19) 順時針轉到底，讓鋸片 (27) 升至鋸台上方可到達的最高位置。
- 鬆開夾緊桿 (35)。
- 或
國家規格編號 **3 601 M30 5C2**：用內六角扳手 (22) 鬆開內六角螺栓 (36)。
- 將劈開楔 (8) 往夾緊桿 (35) 方向移至能夠往上拉的位置。
- 將劈開楔往上拉到底，使它定位在鋸片正中間上方位置。
- 讓兩根插銷 (37) 卡入至劈開楔上的下方開孔中，然後將夾緊桿 (35) 拉緊或重新旋緊內六角螺栓 (36)。

安裝鋸台嵌件 (請參考圖 b)

- 將鋸台嵌件 (26) 掛入至工具槽的後方開口 (38) 內。
 - 將鋸台嵌件往下推入。
 - 按壓鋸台嵌件，使它的前端卡入工具槽內。
- 鋸台嵌件的前端 (26) 必須與鋸台齊平或比它略低一些，而後端則必須與鋸台齊平或比它略高一些。

安裝護罩 (請參考圖 c1-c2)

提示：劈開楔必須位在鋸片正中間上方的最高位置，您才能安裝護罩 (請參考圖示 a2)。當劈開楔位於最低位置時 (即交貨狀態或鋸切溝槽時的位置)，請勿安裝護罩 (請參考圖示 a1)。

- 鬆開夾緊桿 (39) 然後將護罩 (6) 從托架 (34) 中取出。
- 一隻手固定住護罩 (6) 的鋸片防護裝置 (上方金屬導軌)，然後用另一隻手夾緊桿 (39) 往上扳。
- 將導向銷 (40) 往後推入劈開楔 (8) 的溝槽內。
- 將護罩 (6) 往下移，使鋸片防護裝置 (上方金屬導軌) 與鋸台 (7) 表面平行。
- 將夾緊桿 (39) 往下壓。必須感覺到並聽到夾緊桿卡入，這才表示護罩 (6) 已確實裝好並且固定妥當。
- ▶ 每次使用前都要檢查護罩是否活動自如。如果護罩因無法自由移動而無法立即閉合，切勿使用電動工具。

安裝平行擋塊 (請參考圖 d)

平行擋塊 (10) 可以設置在鋸片的左邊或是右邊。

- 鬆開平行擋塊 (10) 的緊固握把 (41)。V 形導向件 (42) 將隨之鬆開。
- 請先將平行擋塊的 V 形導向件裝入至鋸台導槽 (11) 內。接著再調整平行擋塊在鋸台前方導槽

(1) 中的位置。

現在您可以隨心所欲地移動平行擋塊。

- 若要固定平行擋塊，請將緊固握把 (41) 往下壓。

安裝輔助平行擋塊 (請參考圖 e)

鋸切細長形工件及鋸切垂直斜鋸角時，必須在平行擋塊 (10) 上安裝輔助平行擋塊 (43)。

輔助平行擋塊可視需要安裝在平行擋塊 (10) 的左邊或右邊。

安裝時，請您使用「輔助平行擋塊」固定套件 (44) (2 顆固定螺栓、2 個墊片、2 個蝶翼螺母)。

- 將固定螺栓穿過平行擋塊 (10) 的側面開孔後推入。
- 此時螺栓頭可做為導引輔助平行擋塊之用。
- 將輔助平行擋塊 (43) 推至固定螺栓的螺栓頭上方。
- 將墊片套在固定螺栓上，利用蝶翼螺母旋緊這顆螺栓。

安裝角度擋塊 (請參考圖 f1-f2)

– 將角度擋塊 (3) 的導引軌 (45) 套進鋸台上專門為其設置的其中一個導槽 (5) 內。

工件較長時，為確保其穩固靠置，可利用型材擋軌 (29) 延伸角度擋塊。

- 請您視需要利用固定套件 (46) 將型材擋軌安裝在角度擋塊上。

吸除廢塵／料屑

含鉛顏料、部分木材種類、礦石和金屬的加工廢塵有害健康。機器操作者或施工現場附近的人員如果接觸、吸入這些廢塵，可能會引發過敏反應或感染呼吸道疾病。

某些塵埃 (例如加工橡木或山毛櫸的廢塵) 可能致癌，特別是與處理木材的添加劑 (例如木材的防腐劑等) 結合之後。唯有受過專業訓練的人才能夠進行含石棉物料的加工。

- 儘可能使用適合物料的吸塵裝置。
- 工作場所要保持空氣流通。
- 建議佩戴 P2 過濾等級的口罩。

請留意並遵守貴國的物料加工相關法規。

廢塵／料屑收集裝置可能被廢塵、廢屑或工件殘屑堵塞。

- 關閉電動工具，並且從插座中拔出插頭。
- 請您稍候，讓鋸片完全停止轉動。
- 找出造成堵塞的原因，並排除障礙。

▶ 避免讓工作場所堆積過多的塵垢。塵埃容易被點燃。

▶ 為了避免鋸切鋁材時釀成火災，請將出屑口清除乾淨並且不要使用集塵袋。

將出屑口清除乾淨 (請參考圖 g)

您可將出屑口 (32) 清除乾淨，以便去除工件碎片及大塊鋸屑。

- 關閉電動工具，並且從插座中拔出插頭。
- 請您稍候，讓鋸片完全停止轉動。
- 請用內六角扳手 (22) 鬆開固定螺栓 (47)。

- 將出屑口 (32) 拔出，清除上面的工件碎片和鋸屑。
- 重新將出屑口安裝在電動工具上。

外接的吸塵裝備 (請參考圖 h)

請使用隨附的吸塵轉接頭 (33)，以便將吸塵器連接至出屑口 (32)。

- 將吸塵轉接頭 (33) 和吸塵軟管牢牢套上。

根據工件材質選擇合適的吸塵器。

吸集可能危害健康、可能致癌或乾燥的廢塵時，務必使用特殊吸塵器。

固定式安裝或活動式安裝

- ▶ 為了能夠穩定地操作機器，正式使用機器之前，必須把電動工具固定在平坦、穩固的工作平面上 (例如工作桌)。

安裝在工作平面上 (請參考圖 i)

- 使用合適的夾鉗把電動工具固定在工作平面上。必須利用安裝孔 (12) 來進行固定。

安裝在博世工作台上 (請參考圖 j)

博世工作台 (例如 GTA 600) 擁有可調整高度的桌腳，使電動工具能夠穩固站在任何底座上。

- ▶ 請詳讀工作桌附帶的所有警告指示和說明。若未遵循警告指示和說明可能遭受電擊、發生火災並/或造成嚴重傷害。

- ▶ 安裝電動工具之前必須先正確地組裝工作台。重點是要正確地組裝工作台，以避免工作台倒塌。
- 把電動工具調整至搬運位置並將它安裝在工作台上。

更換鋸片 (請參考圖 k1-k4)

- ▶ 維修電動工具或換裝零、配件之前，務必從插座上拔出插頭。
- ▶ 安裝鋸片時務必穿戴防護手套。人員可能有受傷之虞。
- ▶ 所使用的鋸片的最高許可轉速必須高于電動工具的無負載轉速。
- ▶ 根據本說明書中以及本電動工具上載述的技術數據，選擇合適的鋸片。必須選用通過 EN 847-1 認證而且具有此一認證標示的鋸片。
- ▶ 只能使用由本電動工具製造商推薦且適用於加工材料的鋸片。
- ▶ 只能使用由本電動工具製造商推薦且適用於加工材料的鋸片。
- ▶ 請勿使用高合金快速鋼 (HSS) 材質的鋸片。此類鋸片容易折斷。

拆卸鋸片

- 將手搖桿 (19) 順時針轉到底，讓鋸片 (27) 升至鋸台上方可到達的最高位置。
- 打開夾緊桿 (39) 然後將護罩 (6) 從劈開楔 (8) 上的溝槽拉出。
- 國家規格編號 3 601 M30 5C2 需額外：壓攏按鈕 (48) 並將反彈制止裝置 (9) 從劈開楔 (8) 的開孔中拔出。

- 用螺絲起子撬開鋸台嵌件 (26) 前端，然後將它從工具槽中取出。
- 用環形扳手 (23) 旋轉迫緊螺母 (49) 並同時拉起主軸制動桿 (50) 直到卡緊為止。
- 繼續拉住主軸制動桿，並沿逆時針方向旋出迫緊螺母。
- 取下緊固法蘭 (51)。
- 取出鋸片 (27)。

安裝鋸片

必要時，請在安裝前清潔所有待安裝的零部件。

- 將新的鋸片裝到工具主軸 (52) 的配接法蘭 (53) 上。

提示：請勿使用尺寸過小的鋸片。鋸片與劈開楔之間的最大徑向間隙為 3 - 8 mm。

- ▶ 安裝時請注意，鋸齒的鋸切方向 (即鋸片上的箭頭指示方向) 必須與劈開楔上的箭頭指示方向一致！

- 將固定法蘭 (51) 和迫緊螺母 (49) 裝上。
- 用環形扳手 (23) 旋轉迫緊螺母 (49) 並同時拉起主軸制動桿 (50) 直到卡緊為止。
- 將迫緊螺母順時針旋緊。
- 重新裝入鋸台嵌件 (26)。
- 重新裝上護罩 (6)。
- 國家規格編號 3 601 M30 5C2 需額外：重新安裝反彈制止裝置 (9)。

操作

- ▶ 維修電動工具或換裝零、配件之前，務必從插座上拔出插頭。

鋸片的搬運位置和工作位置

搬運位置

- 拆下護罩 (6)、取出鋸台嵌件 (26) 並將劈開楔 (8) 移至最低位置。重新裝入鋸台嵌件 (26)。
- 逆時針旋轉手搖桿 (19)，直到鋸片 (27) 的鋸齒沈入至鋸台 (7) 下。
- 將鋸台加寬件 (14) 往內完全推入。將緊固握把 (16) 往下壓。鋸台加寬件將因此固定。

工作位置

- 將劈開楔 (8) 移至鋸片正中間上方的最高位置，裝入鋸台嵌件 (26) 然後再安裝護罩 (6)。
- 順時針旋轉手搖桿 (19)，直到鋸片 (27) 的上方鋸齒位於工件上方約 3 - 6 mm 的位置。

調整垂直與水平斜鋸角

為確保精準鋸切，頻繁使用之後必須檢查電動工具的基本設定，必要時須適度調整。

調整垂直斜鋸角 (鋸片) (請參考圖 A)

垂直斜鋸角的調整範圍在 -2° 至 47° 之間。

- 逆時針旋轉制動桿 (17)，以便將它鬆開。

提示：當制動桿完全鬆開的那一刻，鋸片會因為地心引力而傾斜約 30° 左右。

- 沿著連桿拉起或按壓手轉輪 (18)，直到角度指針 (54) 指在所需的垂直斜鋸角上。
- 讓手轉輪保持在這個位置上，然後將制動桿 (17) 重新旋緊。

為能快速準確地調整至垂直方向基本角度 0° 和 45°，出貨時已裝上調好的擋塊 ((62)、(65))。

調整水平斜鋸角 (角度擋塊) (請參考圖 B)

水平斜鋸角的調整範圍在 60° (左側) 與 60° (右側) 之間。

- 鎖定旋鈕 (56) 若已鎖上，請將它鬆開。
- 轉動角度擋塊，直到角度指針 (57) 指在所需的斜鋸角上。
- 將鎖定旋鈕 (56) 重新鎖緊。

加大鋸台

如果工件又長又重，必須在它懸空的末端底下墊上襯墊或做好支撐。

鋸台加寬件 (請參考圖 C)

鋸台加寬件 (14) 可將鋸台 (7) 往右加寬至最大 625 mm。

- 將鋸台加寬件的緊固握把 (16) 往上拉到底。
- 將鋸台加寬件 (14) 往外拉至所需長度。
- 將緊固握把 (16) 往下壓。鋸台加寬件將因此固定。

調整平行擋塊

平行擋塊 (10) 可以設置在鋸片的左邊 (黑色刻度尺) 或右邊 (銀色刻度尺)。放大鏡 (28) 裡的標線所指位置即是，鋸片與平行擋塊之間的目前距離刻度 (2)。

依照您的需要，將平行擋塊放置到鋸片的任一側。

調整平行擋塊 不拉出鋸台

- 鬆開平行擋塊 (10) 的緊固握把 (41)。移動平行擋塊，使放大鏡 (28) 裡的標線指在所需的鋸片間隔距離上。
- 若不拉出鋸台，則應以銀色刻度尺 (2) 下方標示的數字為準。
- 若要固定位置，請將緊固握把 (41) 重新往下壓。

調整平行擋塊

拉出鋸台 (請參考圖 D)

- 把平行擋塊放在鋸片的右側。
- 移動平行擋塊，使放大鏡 (28) 裡的標線指在下方刻度尺的 26 cm 位置上。
- 若要固定位置，請將緊固握把 (41) 重新往下壓。
- 將鋸台加寬件的緊固握把 (16) 往上拉到底。
- 將鋸台加寬件 (14) 往外拉，使距離指示器 (58) 指在所需的鋸片間隔距離上，請以上方刻度尺為準。
- 將緊固握把 (16) 往下壓。鋸台加寬件將因此固定。

調整輔助平行擋塊 (請參考圖 E)

鋸切細長形工件及鋸切垂直斜鋸角時，必須在平行擋塊 (10) 上安裝輔助平行擋塊 (43)。

輔助平行擋塊可視需要安裝在平行擋塊 (10) 的左邊或右邊。

鋸切時工件可能卡在平行擋塊與鋸片之間，往上移動的鋸片會鉤住該工件並把它向外拋出。

因此要調整好輔助平行擋塊，須讓導引末端位在鋸片的最前端鋸齒與劈開楔前緣之間。

- 其做法是：鬆開固定套件 (44) 的所有蝶翼螺母，並移動輔助平行擋塊，直到只剩前面的兩顆螺栓仍發揮固定的作用。
- 重新旋緊蝶翼螺母。

調整劈開楔

劈開楔 (8) 可防止鋸片 (27) 卡死在鋸縫裡。如果鋸片被夾在工件中可能產生反彈。

因此要隨時注意，是否已正確地調整好劈開楔：

- 鋸片與劈開楔之間的最大徑向間隙為 3 - 8 mm。
- 劈開楔的厚度必須小於鋸縫寬度，並且大於鋸片主體的厚度。
- 劈開楔必須永遠與鋸片位於同一直線上。
- 就一般的切割線而言，劈開楔必須儘可能位在最高位置。

調整劈開楔高度 (請參考圖 F)

鋸切凹槽時您必須調整劈開楔的高度。

▶ **使用本電動工具進行挖槽或壓鉗時，請務必搭配適當的防護裝置 (例如隧道式防護罩、防彈止回羽毛板)。**

- 打開夾緊桿 (39) 然後將護罩 (6) 從劈開楔 (8) 上的溝槽拉出。
- 為避免防護罩損壞，請將它收納在機殼上的專用托架 (34) 裡 (另請參考圖 O1)。
- 國家規格編號 3 601 M30 5C2 需額外：壓攏按鈕 (48) 然後將反彈制止裝置 (9) 從劈開楔 (8) 的開孔中拔出。
- 為確保反彈制止裝置安全存放，請將它固定在機殼上的專用托架 (74) 裡 (另請參考圖 O1)。
- 將手搖桿 (19) 順時針轉到底，讓鋸片 (27) 升至鋸台上方可到達的最高位置。
- 鬆開夾緊桿 (35)。
- 或
國家規格編號 3 601 M30 5C2：用內六角扳手 (22) 鬆開內六角螺栓 (36)。
- 將劈開楔從插銷 (37) 上拔出 (夾緊桿 (35) 需稍微往外拉)，然後將劈開楔 (8) 向下推到底。
- 讓兩根插銷 (37) 卡入至劈開楔上的上方開孔中，然後將夾緊桿 (35) 重新拉緊。

操作機器

▶ **注意電源的電壓！** 電源的電壓必須和電動工具銘牌上標示的電壓一致。

啟動 (請參考圖 G1)

- 將安全掀蓋 (20) 往上翻。
- 若要讓機器運轉，請按壓綠色的啟動鈕 (59)。

- 讓安全掀蓋 (20) 自行落下，回到原位。

關閉 (請參考圖 G2)

- 按壓安全掀蓋 (20)。

停電

本機器的起停開關是所謂的零電壓開關。它可以防止電動工具在停電之後 (例如在操作中途拔出電源插頭) 自行起動。
之後若想讓電動工具重新運轉，必須再次按壓綠色啟動鈕 (59)。

作業注意事項

一般性的鋸切指示

- ▶ 進行任何鋸切之前必須先確定鋸片絕對不會碰觸擋塊或其它機件。
- ▶ 使用本電動工具進行挖槽或壓鉚時，請務必搭配適當的防護裝置 (例如隧道式防護罩、防彈止回羽毛球板)。
- ▶ 請勿使用本電動工具進行挖槽作業 (即工件上的凹槽未延伸至邊緣)。

保護鋸片，以免受遭衝擊和碰撞。不可以側壓鋸片。

劈開楔必須與鋸片呈同一直線，以防止工件卡死。不可以加工已被拉扯移位的工件。為了能緊靠在平行擋塊上，工件至少必須具備一道筆直的邊緣。推棒一律要存放在電動工具上。

操作者的位置 (請參考圖 H)

- ▶ 請勿站在鋸片的延伸線上。隨時站在鋸片旁有護欄的那一側。反彈會使加工件高速飛向站在鋸片延伸線上的人員。
- 手掌、手指和手臂必須遠離轉動中的鋸片。

請遵照以下各項指示：

- 使用雙手握好工件並將工件牢牢地壓在鋸台上。
- 鋸切細長形工件及鋸切垂直斜鋸角時，請務必使用隨附的推棒 (24) 和輔助平行擋塊 (43)。

最大工件尺寸

| 垂直斜鋸角 | 最大工件高度 [mm] |
|-------|-------------|
| 0° | 79 |
| 45° | 56 |

鋸切

鋸切直線

- 將平行擋塊 (10) 調至所需的鋸切寬度。
- 將工件放到鋸台上、護罩 (6) 前方。
- 利用手搖桿 (19) 將鋸片升高或降低，使鋸片 (27) 的上方鋸齒位於工件上方約 3 - 6 mm 的位置。
- 啟動電動工具。
- 鋸切工件時必須施力均勻。
如果用力過猛，鋸片的齒尖可能會過熱而造成工件受損。
- 關閉電動工具並等待鋸片完全停止轉動。

鋸切垂直斜鋸角

- 將鋸片調整所需的垂直斜鋸角。
鋸片若往左傾，則平行擋塊 (10) 必須位於鋸片的右邊。
- 相關工作步驟請遵循：(參見「鋸切直線」，頁 46)

鋸切水平斜鋸角 (請參考圖 I)

- 請到角度擋塊 (3) 上，設定好所需的水平斜鋸角。
- 放上工件，請讓它貼靠型材擋軌 (29) 上。
型材不可以放在鋸線之上。出現這種情況時，請鬆開滾花螺母 (60) 並移動型材擋軌的位置。
- 利用手搖桿 (19) 將鋸片升高或降低，使鋸片 (27) 的上方鋸齒位於工件上方約 3 - 6 mm 的位置。
- 啟動電動工具。
- 一隻手將工件抵住型材擋軌 (29)，另一隻手放在鎖定旋鈕 (56) 上將角度擋塊沿著導槽 (5) 慢慢往前推。
- 關閉電動工具並等待鋸片完全停止轉動。

檢查和調整基本設定

為確保精準鋸切，頻繁使用之後必須檢查電動工具的基本設定，必要時須適度調整。

檢查時不但要具備足夠的經驗，而且得使用特殊工具。

博世客戶服務中心能夠既快速又可靠地執行這項工作。

調整垂直方向的 0°/45° 基本斜鋸角擋塊

- 把電動工具調整至工作位置。
- 調整鋸片的 0° 垂直斜鋸角。
- 拆卸護罩 (6)。

檢查 (請參考圖 J1)

- 請用量角規設為 90°，然後將它放置到鋸台 (7) 上。

量角規的柄部必須全長與鋸片 (27) 齊平。

調整 (請參考圖 J2)

- 鬆開螺栓 (61)。於是您就能移動 0° 擋塊 (62) 了。
 - 鬆開制動桿 (17)。
 - 將手轉輪 (18) 推向 0° 擋塊，使量角規的柄部全長與鋸片齊平。
 - 讓手轉輪保持在這個位置上，然後將制動桿 (17) 重新旋緊。
 - 將螺栓 (61) 重新旋緊。
- 調整後，若角度指針 (54) 未與刻度尺 (55) 的 0° 記號呈一直線，請用一般市售十字螺絲起子鬆開螺栓 (63)，將角度指針對準 0° 記號。
- 請針對 45° 垂直斜鋸角，重複上述工作步驟 (鬆開螺栓 (64)；挪動 45° 擋塊 (65))。此時，不得重新調整角度指針 (54)。

確認鋸片與角度擋塊導槽之間是否平行 (請參考圖 K)

- 把電動工具調整至工作位置。

- 拆卸護罩 (6)。

檢查

- 用鉛筆標出從鋸台嵌件後面露出的第一顆左側鋸齒。
- 請將量角規設為 90°，然後將它靠在導槽 (5) 邊緣上。
- 移動量角規的柄部，讓它觸及做上記號的那顆鋸齒，然後記下鋸片與導槽之間的間隔距離。
- 轉動鋸片，使做上記號的那顆鋸齒剛好露出在鋸台嵌件前方。
- 沿著導槽移動量角規，讓它解及做上記號的那顆鋸齒。
- 再度測量鋸片與導槽之間的距離。

這兩個測量值必須相同。

調整

- 用隨附的內六角扳手 (22) 鬆開鋸台前方底下的內六角螺栓 (66) 以及鋸台後方底下的內六角螺栓 (67)。
- 小心地移動鋸片，使它與導槽 (5) 平行。
- 重新旋緊所有螺栓 (66) 和 (67)。

調整鋸台的距離指示器 (請參考圖 L)

- 把平行擋塊放在鋸片的右側。
移動平行擋塊，使放大鏡 (28) 裡的標線指在下方刻度尺的 26 cm 位置上。
若要固定位置，請將緊固握把 (41) 重新往下壓。
- 將緊固握把 (16) 往上完全提起，並將鋸台加寬件 (14) 往外拉到底。

檢查

距離指示器 (58) 在上方刻度尺 (2) 上所指著的讀數必須與下方刻度尺 (2) 上放大鏡 (28) 裡標線所指的數值相同。

調整

- 將鋸台加寬件 (14) 往外拉到底。
- 用十字螺絲起子鬆開螺栓 (68)，然後將距離指示器 (58) 對準上方刻度尺 (2) 的 26 cm 記號。

將平行擋塊調整成平行 (請參考圖 M)

- 把電動工具調整至工作位置。
- 拆卸護罩 (6)。
- 鬆開平行擋塊的緊固握把 (41)，然後將它移至與鋸片接觸為止。

檢查

平行擋塊 (10) 必須全長接觸鋸片。

調整

- 用隨附的內六角扳手 (22) 鬆開內六角螺栓 (69)。
- 小心地將平行擋塊 (10) 移動至全長接觸鋸片為止。
- 讓平行擋塊保持在這個位置上，然後將緊固握把 (41) 重新往下推。
- 將內六角螺栓 (69) 重新旋緊。

調整平行擋塊的夾力

頻繁使用之後，平行擋塊 (10) 的夾力可能變小。

- 請將校正螺栓 (25) 一直旋緊至平行擋塊能夠重新牢牢固定在鋸台上為止。

調整平行擋塊的放大鏡 (請參考圖 M)

- 把電動工具調整至工作位置。
- 拆卸護罩 (6)。
- 從右側將平行擋塊 (10) 移至接觸鋸片為止。

檢查

放大鏡 (28) 的標線必須與刻度尺 (2) 的 0 mm 記號呈一直線。

調整

- 請用十字螺絲起子鬆開螺栓 (70)，然後將標線對準 0 mm 記號。

調整鋸台嵌件的水平位置 (請參考圖 N)

檢查

鋸台嵌件的前端 (26) 必須與鋸台齊平或比它略低一些，而後端則必須與鋸台齊平或比它略高一些。

調整

- 拆卸鋸台嵌件 (26)。
- 請用內六角扳手 (22) 將四顆校正螺栓 (71) 調至正確水平位置。

收納與搬運

收納機件 (請參考圖 O1-O5)

本電動工具也具備機件收納功能，您可以將某些機件直接固定在電動工具上。

- 將輔助平行擋塊 (43) 從平行擋塊 (10) 上鬆開。
- 將所有零散的機件插入至機殼上各自的專屬收納位置 (詳見下表)。

| 圖 片 | 機件 | 收納位置 |
|--------|-----------------------------------|--------------------------------------|
| O1 | 護罩 (6) | 掛在托架 (34) 開口上，然後將夾緊桿 (39) 拉緊以便固定 |
| O1 | 反彈制止裝置 (9) (國家規格編號 3 601 M30 5C2) | 將按鈕 (48) 壓攏，然後讓它卡止在托架 (74) 的開孔上 |
| O2 | 「輔助平行擋塊」固定套件 (44) | 夾在托架 (72) 裡 |
| O2 | 吸塵轉接頭 (33) | 推入至固定夾 (73) 裡 |
| O3 | 環形扳手 (23) | 利用固定螺母 (75) 固定在工具收納處 |
| O3 | 推棒 (24) | 掛在固定螺母 (75) 上，並稍微移動即可固定 |
| O4 | 平行擋塊 (10) | 翻轉 180 度，從下面掛在導引軌上，然後再將緊固握把 (41) 固定住 |
| O5 | 內六角扳手 (22) 內六角扳手 (21) | 推入至托架 (76) 裡 |
| O5 | 角度擋塊 (3) | 推入至固定夾 (77) 裡 |
| O5 | 輔助平行擋塊 (43) | 推入至固定夾 (31) 裡 (較短側往上；較長側往後) |

搬運電動工具

搬運電動工具之前必須先執行以下步驟：

- 把電動工具調整至搬運位置。
- 拆除所有無法被固定在電動工具上的配件。搬運時必須儘可能把不使用的鋸片放置在密封盒子中。
- 將鋸台加寬件 (14) 往內推到底，並將緊固握把 (16) 往下壓進行固定。
- 將電源線纏繞在電線托架 (30) 上。
- 請從提把 (13) 處抬高或搬運。
- ▶ 搬動電動工具時只能使用搬運裝置。不可以利用防護裝置來搬運電動工具。

維修和服務**維修和清潔**

- ▶ 維修電動工具或換裝零、配件之前，務必從插座上拔出插頭。
- ▶ 電動工具和通風口都必須保持清潔，這樣才能夠提高工作品質和安全性。

如果必須更換連接線，請務必交由 **Bosch** 或者經授權的 **Bosch** 電動工具顧客服務執行，以避免危害機器的安全性能。

清潔

每次工作結束後都要使用壓縮空氣或軟刷清除機器上的灰塵和鋸屑。

潤滑電動工具**潤滑劑：**

機油 SAE 10/SAE 20

- 視需要潤滑電動工具，請在指示的位置添加潤滑油（請參考圖 P）。

經過授權的博世客戶服務中心能夠既快速又可靠地執行上述工作。

- ▶ 潤滑油、清潔劑必須以符合環保要求的方式進行廢棄處置。請您務必遵守相關法律規定。

降低噪音的措施

製造商提供的方法：

- 緩速起動
- 提供特別為了降低噪音而研發的鋸片

操作者自己能做的措施：

- 將機器安裝在穩固的工作面上，可以降低震動
- 使用具備降低噪音功效的鋸片
- 定期清潔鋸片和電動工具

配件

| | 產品機號 |
|--------------------------|---------------|
| 集塵袋 | 2 610 015 511 |
| 吸塵轉接頭 | 2 610 015 509 |
| Y 型轉接頭 TSVH 3 | 2 610 015 513 |
| 角度擋塊 | 2 610 015 507 |
| 推棒 | 2 610 015 022 |
| 工作台 GTA 600 | 0 601 B22 001 |
| 適用於木材與木板、嵌板和木條的鋸片 | |

產品機號

| | |
|-------------------------|---------------|
| 鋸片 254 x 25.4 mm，40 個鋸齒 | 2 608 640 901 |
| 鋸片 254 x 25.4 mm，60 個鋸齒 | 2 608 640 902 |

顧客服務處和顧客諮詢中心

本公司顧客服務處負責回答有關本公司產品的維修、維護和備用零件的問題。以下的網頁中有分解圖和備用零件相關資料：www.bosch-pt.com 如果對本公司產品及其配件有任何疑問，博世應用諮詢小組很樂意為您提供協助。當您需要諮詢或訂購備用零件時，請務必提供本產品型號銘牌上 10 位數的產品機號。

台灣

台灣羅伯特博世股份有限公司

建國北路一段90 號6 樓

台北市10491

電話：(02) 7734 2588

傳真：(02) 2516 1176

www.bosch-pt.com.tw

製造商地址：

Robert Bosch Power Tools GmbH

羅伯特·博世電動工具有限公司

70538 Stuttgart / GERMANY

70538 斯圖加特/ 德國

以下更多客戶服務處地址：

www.bosch-pt.com/serviceaddresses

廢棄物處理

必須以符合環保的方式，回收再利用損壞的機器、配件和廢棄的包裝材料。



不可以把電動工具丟入一般的家庭垃圾中。

한국어**안전 수칙****전동공구 일반 안전 수칙****⚠ 경고**

본 전동공구와 함께 제공된 모든 안전경고, 지시사항, 그림 및 사양을 숙지하십시오.

다음의 지시 사항을 준수하지 않으면 감전, 화재, 또는 심각한 부상을 초래할 수 있습니다.

앞으로 참고할 수 있도록 이 안전수칙과 사용 설명서를 잘 보관하십시오.

다음에서 사용되는 "전동공구"라는 개념은 전원에 연결하여 사용하는 (전선이 있는) 전동 기기나 배터

리를 사용하는 (전선이 없는) 전동 기기를 의미합니다.

작업장 안전

- ▶ **작업장을 항상 깨끗이 하고 조명을 밝게 하십시오.** 작업장 환경이 어수선하거나 어두우면 사고를 초래할 수 있습니다.
- ▶ **가연성 유체, 가스 또는 분진이 있어 폭발 위험이 있는 환경에서 전동공구를 사용하지 마십시오.** 전동공구는 분진이나 증기에 점화하는 스파크를 일으킬 수 있습니다.
- ▶ **전동공구를 사용할 때 구경꾼이나 어린이 혹은 다른 사람이 작업장에 접근하지 못하게 하십시오.** 다른 사람이 주의를 산만하게 하면 기기에 대한 통제력을 잃기 쉽습니다.

전기에 관한 안전

- ▶ **전동공구의 전원 플러그가 전원 콘센트에 잘 맞아야 합니다.** 플러그를 절대 변경시켜서는 안 됩니다. (접지된) 전동공구를 사용할 때 어댑터 플러그를 사용하지 마십시오. 변형되지 않은 플러그와 잘 맞는 콘센트를 사용하면 감전의 위험을 줄일 수 있습니다.
- ▶ **파이프 관, 라디오에터, 레인지, 냉장고와 같은 접지 표면에 몸이 닿지 않도록 하십시오.** 몸에 닿을 경우 감전될 위험이 높습니다.
- ▶ **전동공구를 비에 맞지 않게 하고 습기 있는 곳에 두지 마십시오.** 전동공구에 물이 들어가면 감전될 위험이 높습니다.
- ▶ **전원 코드를 잘못 사용하는 일이 없도록 하십시오.** 전원 코드를 잡고 전동공구를 운반해서는 안 되며, 콘센트에서 전원 플러그를 뽑을 때 전원 코드를 잡아 당겨서는 절대로 안 됩니다. 전원 코드가 열과 오일에 접촉하는 것을 피하고, 날카로운 모서리나 기기의 가동 부위에 닿지 않도록 주의 하십시오. 손상되거나 영긴 전원 코드는 감전을 유발할 수 있습니다.
- ▶ **실외에서 전동공구로 작업할 때는 실외용으로 적당한 연장 전원 코드만을 사용하십시오.** 실외용 연장 전원 코드를 사용하면 감전의 위험을 줄일 수 있습니다.
- ▶ **전동공구를 습기 찬 곳에서 사용해야 할 경우에는 누전 차단기를 사용하십시오.** 누전 차단기를 사용하면 감전 위험을 줄일 수 있습니다.

사용자 안전

- ▶ **신중하게 작업하며, 전동공구를 사용할 때 경솔하게 행동하지 마십시오.** 피로한 상태이거나 약을 복용 및 음주한 후에는 전동공구를 사용하지 마십시오. 전동공구를 사용할 때 잠시라도 주의가 산만해지면 중상을 입을 수 있습니다.
- ▶ **작업자 안전을 위한 장치를 사용하십시오.** 항상 보안경을 착용하십시오. 전동공구의 종류와 사용에 따라 먼지 보호 마스크, 미끄러지지 않는 안전화, 안전모 또는 귀마개 등의 안전한 복장을 하면 상해의 위험을 줄일 수 있습니다.
- ▶ **실수로 기기가 작동되지 않도록 주의하십시오.** 전동공구를 전원에 연결하거나 배터리를 끼우기 전에, 혹은 기기를 들거나 운반하기 전에, 전원 스

위치가 꺼져 있는지 다시 확인하십시오. 전동공구를 운반할 때 전원 스위치에 손가락을 대거나 전원 스위치가 켜진 상태에서 전원을 연결하면 사고 위험이 높습니다.

- ▶ **전동공구를 사용하기 전에 조절하는 틀이나 키 등을 빼 놓으십시오.** 회전하는 부위에 있는 틀이나 키로 인해 상처를 입을 수 있습니다.
- ▶ **자신을 과신하지 마십시오.** 불안정한 자세를 피하고 항상 평형을 이룬 상태로 작업하십시오. 안정된 자세와 평형한 상태로 작업해야만이 의외의 상황에서도 전동공구를 안전하게 사용할 수 있습니다.
- ▶ **알맞은 작업복을 입으십시오.** 헐렁한 복장을 하거나 장신구를 착용하지 마십시오. 머리카락이 가동하는 기기 부위에 가까이 닿지 않도록 주의 하십시오. 헐렁한 복장, 장신구 혹은 긴 머리는 가동 부위에 말려 사고를 초래할 수 있습니다.
- ▶ **분진 추출장치나 수거장치의 조립이 가능한 경우, 이 장치가 연결되어 있는지, 제대로 작동이 되는지 확인하십시오.** 이러한 분진 추출장치를 사용하면 분진으로 인한 사고 위험을 줄일 수 있습니다.
- ▶ **틀을 자주 사용한다고 해서 안주하는 일이 없게 하고 공구의 안전 수칙을 무시하지 않도록 하십시오.** 부주의하게 취급하여 순간적으로 심각한 부상을 입을 수 있습니다.

전동공구의 올바른 사용과 취급

- ▶ **기기를 과부하 상태에서 사용하지 마십시오.** 작업할 때 이에 적당한 전동공구를 사용하십시오. 알맞은 전동공구를 사용하면 지정된 성능 한도 내에서 더 효율적으로 안전하게 작업할 수 있습니다.
- ▶ **전원 스위치가 고장 난 전동공구를 사용하지 마십시오.** 전원 스위치가 작동되지 않는 전동공구는 위험하므로, 반드시 수리를 해야 합니다.
- ▶ **전동공구를 조정하거나 액세서리 부품 교환 혹은 공구를 보관할 때, 항상 전원 콘센트에서 플러그를 미리 빼어 놓거나 배터리를 분리하십시오.** 이러한 조치는 실수로 전동공구가 작동하게 되는 것을 예방합니다.
- ▶ **사용하지 않는 전동공구는 어린이 손이 닿지 않는 곳에 보관하고, 전동공구 사용에 익숙지 않거나 이 사용 설명서를 읽지 않은 사람은 기기를 사용해서는 안 됩니다.** 경험이 없는 사람이 전동공구를 사용하면 위험합니다.
- ▶ **전동공구 및 액세서리를 조심스럽게 관리하십시오.** 가동 부위가 하자 없이 정상적인 기능을 하는지, 걸리는 부위가 있는지, 혹은 전동공구의 기능에 중요한 부품이 손상되지 않았는지 확인하십시오. 손상된 기기의 부품은 전동공구를 다시 사용하기 전에 반드시 수리를 맡기십시오. 제대로 관리하지 않은 전동공구의 경우 많은 사고를 유발합니다.
- ▶ **절단 공구를 날카롭고 깨끗하게 관리하십시오.** 날카로운 절단면이 있고 잘 관리된 절단공구는 걸리는 경우가 드물고 조절하기도 쉽습니다.

- ▶ **전동공구, 액세서리, 장착하는 공구 등을 사용할 때, 이 지시 사항과 특별히 기종 별로 나와있는 사용 방법을 준수하십시오.** 이때 작업 조건과 실시하려는 작업 내용을 고려하십시오. 원래 사용 분 야가 아닌 다른 작업에 전동공구를 사용할 경우 위험한 상황을 초래할 수 있습니다.
- ▶ **손잡이 및 잡는 면을 건조하게 유지하고, 오일 및 그리스가 묻어 있지 않도록 깨끗하게 하십시오.** 손잡이 또는 잡는 면이 미끄러우면 예상치 못한 상황에서 안전한 취급 및 제어가 어려워집니다.

서비스

- ▶ **전동공구 수리는 반드시 전문 인력에게 맡기고, 수리 정비 시 보쉬 순정 부품만을 사용하십시오.** 그렇게 함으로써 기기의 안전성을 오래 유지할 수 있습니다.

테이블쏘 안전 사용 지침

가드 관련 경고사항

- ▶ **가드를 제자리에 설치하십시오.** 가드는 올바른 방향으로 설치해야 합니다. 고정되지 않거나, 손상되었거나, 정상적으로 작동하지 않는 가드는 수리하거나 교체해야 합니다.
- ▶ **절단 작업을 할 때마다 톱날 가드와 원형톱 분할날, 킥백 방지용 장치를 사용하십시오.** 톱날이 가공물을 완전히 절단하는 작업에서는 가드와 다른 안전 장치가 부상 위험을 줄여줍니다.
- ▶ **가드와 원형톱 분할날 및/또는 킥백 방지용 장치 없이 진행하는 작업(예: 반턱가공, 홈파기, 재제 재)을 완료하면 가드 시스템을 바로 다시 장착하십시오.** 가드와 원형톱 분할날, 킥백 방지용 장치를 이용하면 부상 위험을 줄일 수 있습니다.
- ▶ **톱날이 가드, 원형톱 분할날, 가공물에 닿지 않은 상태에서 전원을 켜야 합니다.** 톱날이 가드, 원형톱 분할날, 가공물에 닿으면 위험한 상황이 발생할 수 있습니다.
- ▶ **본 지침의 설명을 참조하여 원형톱 분할날을 조정하십시오.** 배치, 위치, 정렬이 잘못되면 원형톱 분할날의 킥백(kickback) 방지 효과가 줄어들 수 있습니다.
- ▶ **원형톱 분할날 및 킥백 방지용 장치를 가지고 작업할 경우 가공물에 잘 맞물리게 하십시오.** 절단하는 가공물이 너무 짧아서 원형톱 분할날 및 킥백 방지용 장치에 제대로 맞물리지 않으면 원형톱 분할날 및 킥백 방지용 장치가 제대로 작동하지 못합니다. 이러한 조건에서는 원형톱 분할날 및 킥백 방지용 장치로 킥백 현상을 방지할 수 없습니다.
- ▶ **원형톱 분할날에 맞는 톱날을 사용하십시오.** 원형톱 분할날이 제대로 작동하려면 톱날의 직경이 원형톱 분할날의 직경과 같아야 하고, 톱날이 원형톱 분할날보다 얇아야 하며, 톱날의 절단 폭이 원형톱 분할날의 두께보다 커야 합니다.

절단 작업 관련 경고사항

- ▶ **⚠ 위험: 손가락이나 손이 톱날 근처에 있지 않도록 하십시오.** 순간 집중하지 않거나 미끄러지

면 손이 톱날에 닿으면서 심각한 부상을 입을 수 있습니다.

- ▶ **가공물을 톱날의 회전 반대 방향으로 밀어 넣으십시오.** 테이블 위에서 톱날의 회전 방향으로 가공물을 밀어 넣으면 가공물과 손이 톱날로 끌려 들어갈 수 있습니다.
- ▶ **커기 작업 시 가공물을 밀어 넣을 때는 마이터 게이지를 사용하면 안 되며, 마이터 게이지를 이용해 자르기 작업을 할 때는 립 펜스를 길이 제한 장치로 사용하면 안 됩니다.** 립 펜스와 마이터 게이지를 동시에 이용해 가공물을 밀어 넣으면 톱날 끼임과 킥백 현상이 발생할 가능성이 커집니다.
- ▶ **커기 작업을 할 때는 펜스와 톱날 사이로 가공물을 밀어 넣어야 합니다.** 펜스와 톱날의 간격이 150 mm 미만이면 푸시 스틱을 사용하고, 50 mm 미만이면 푸시 블록을 사용하십시오. “작업 보조” 장치를 이용하여 손과 톱날 사이의 안전 거리를 유지하십시오.
- ▶ **제조업체에서 제공하거나 지침에 따라 제작된 푸시 스틱만 사용하십시오.** 푸시 스틱을 이용하면 톱날과 손 사이의 거리를 충분히 유지할 수 있습니다.
- ▶ **손상되거나 절단된 푸시 스틱은 사용하지 마십시오.** 손상된 푸시 스틱을 이용하면 손이 미끄러지면서 톱날에 닿을 수 있습니다.
- ▶ **“손으로만” 작업하지 마십시오.** 가공물을 배치하거나 밀어 넣는 방향을 잡을 때 립 펜스나 마이터 게이지를 사용해야 합니다. “손으로만” 작업한다는 것은 립 펜스나 마이터 게이지 대신 손으로 가공물을 지탱하거나 밀어 넣는 것을 말합니다. 손으로 직접 가공물을 조절하면서 톱질을 하면 어긋나거나, 끼임 또는 킥백 현상이 발생할 수 있습니다.
- ▶ **회전하는 톱날이나 그 주변으로 손을 내밀어서는 안 됩니다.** 가공물을 손으로 잡으려고 하면 회전하는 톱날에 손이 닿을 수 있습니다.
- ▶ **길거나 넓은 가공물이 수평 상태를 유지하게 하려면 테이블의 뒷부분이나 측면에서 보조 가공물 지지대를 사용하십시오.** 길거나 넓은 가공물은 테이블의 가장자리에서 회전하면서 재료를 어렵게 하고, 톱날 끼임, 킥백 현상을 일으키는 경우가 많습니다.
- ▶ **일정한 속도로 가공물을 밀어 넣으십시오.** 가공물을 구부리거나 뒤리지 마십시오. 중간에 걸리면 공구를 즉시 끄고, 전원을 차단한 다음, 걸린 부분을 제거하십시오. 톱날이 가공물이 걸리면 킥백 현상이 발생하거나 모터가 정지할 수 있습니다.
- ▶ **톱날이 회전하는 중에는 잘린 가공물의 조각을 제거하지 마십시오.** 펜스와 톱날 가드 사이에 재료가 끼이면서 손가락이 톱날에 닿을 수 있습니다. 테이블쏘를 끄고 톱날이 정지한 다음에 걸린 재료를 제거하십시오.
- ▶ **2 mm 미만의 가공물을 밀어 넣을 때는 테이블 위에 보조 펜스를 설치하십시오.** 두께가 얇은 가공물은 립 펜스 아래에 끼여 킥백 현상이 발생할 수 있습니다.

킥백 현상의 원인 및 관련 경고사항

킥백은 톱날에서 가공물 끼임 또는 걸림이 발생하거나, 톱날과 평행하지 않은 방향으로 가공물이 절단되거나, 가공물의 일부가 톱날과 립 펜스 또는 다른 고정된 물체 사이에 끼일 때 가공물이 갑자기 튀어나가는 현상입니다.

대부분의 경우 가공물이 톱날의 뒷부분에 의해 들어올려지면서 작업자 쪽으로 튀어나옵니다.

킥백 현상은 톱을 잘못 사용하거나 잘못된 조작 절차 또는 조건으로 인해 발생하며 아래와 같은 방법으로 예방할 수 있습니다.

- ▶ 톱날 바로 뒤에 서지 마십시오. 항상 톱날 펜스와 같은 선상에 있어야 합니다. 킥백 현상이 발생할 경우 톱날의 바로 앞이나 톱날과 같은 선상에 있는 사람에게 가공물이 매우 빠르게 날아갈 수 있습니다.
- ▶ 가공물을 닫기거나 지지하기 위해 톱날 위나 뒤 쪽으로 손을 뺀지 마십시오. 톱날에 손이 닿거나 킥백 현상 때문에 손가락이 톱날로 빨려 들어갈 수 있습니다.
- ▶ 회전하는 톱날로 절단 중인 가공물을 잡아서 누르지 마십시오. 톱날로 절단 중인 가공물을 누르면 끼임 또는 킥백 현상이 발생할 수 있습니다.
- ▶ 펜스를 톱날과 평행하게 설치하십시오. 펜스가 톱날과 평행하지 않으면 톱날에 가공물이 끼면서 킥백 현상이 발생할 수 있습니다.
- ▶ 반턱가공, 홈파기, 재제재 등의 비관통 절단 작업 시에는 페더보드를 이용해 가공물의 방향을 잡으십시오. 페더보드를 이용하면 톱날에 가공물이 끼면서 킥백 현상이 발생할 수 있습니다.
- ▶ 큰 패널은 받침대로 받침으로써 톱날이 끼일 위험 및 반동 위험을 최소한으로 줄이십시오. 패널이 너무 크면 무게 때문에 아래로 처질 수 있습니다. 받침대는 테이블 밖으로 나온 부분 전체를 고르게 지지해야 합니다.
- ▶ 뒤틀리거나, 울퉁불퉁하거나, 휘거나, 가장자리가 일직선이 아닌 가공물을 절단할 때는 마이터 게이지 또는 펜스를 이용해 특히 주의하면서 가공물의 방향을 잡으십시오. 휘거나, 울퉁불퉁하거나, 뒤틀린 가공물은 안정적이지 않기 때문에 잘린 자국이 톱날과 평행하지 않거나 끼임 및 킥백 현상이 발생할 수 있습니다.
- ▶ 2개 이상의 가공물을 수직 또는 수평으로 중첩하여 자르기 작업을 하지 마십시오. 톱날이 1개 이상의 가공물을 들어 올리면서 킥백 현상이 발생할 수 있습니다.
- ▶ 가공물에 톱날이 들어간 상태에서 톱을 다시 작동시킬 때는 톱날의 중심을 절단 자국에 맞춰서 톱날이 가공물에 걸리지 않게 하십시오. 톱날이 고착되면 톱이 다시 작동할 때 가공물이 들어올려지면서 킥백 현상이 발생할 수 있습니다.
- ▶ 톱날을 항상 깨끗하고 날카로운 상태로 유지하고 충분한 세트를 준비하십시오. 흰 톱날이나 금이 가거나 깨진 톱날은 절대 사용하지 마십시오. 톱날을 날카롭고 제대로 설치된 상태에서 사용하면 끼임, 멈춤, 킥백 현상을 최소화할 수 있습니다.

테이블쏘 작동 관련 경고사항

- ▶ 테이블 인서트를 제거하거나, 톱날을 교체하거나, 원형톱 분할날, 킥백 방지용 장치 또는 톱날 가드를 조정할 때, 그리고 테이블쏘를 사용하지 않을 때는 전원을 끄고 전원 코드를 뽑으십시오. 사전 예방을 통해 사고를 최소화할 수 있습니다.
- ▶ 테이블쏘를 방치된 상태에서 작동하지 마십시오. 테이블쏘를 끄고 기계가 완전히 정지할 때까지 옆에서 지켜봐야 합니다. 테이블쏘가 방치된 상태에서 작동하면 제어할 수 없는 위험이 발생할 수 있습니다.
- ▶ 테이블쏘는 조명이 잘 들어오고 작업자가 올바른 자세를 잡을 수 있는 평평한 장소에 설치하십시오. 가공물을 손쉽게 다룰 수 있을 정도의 여유 공간이 있어야 합니다. 너무 비좁거나, 어둡거나, 평평하지 않거나, 미끄러운 장소에서는 사고가 발생할 수 있습니다.
- ▶ 톱날 아래와 톱밥 수집 장치에서 톱밥을 수시로 청소하십시오. 톱밥이 쌓이면 가연성이 높아져 자연 발화가 발생할 수 있습니다.
- ▶ 테이블쏘는 단단하게 고정해야 합니다. 제대로 고정하지 않은 테이블쏘는 움직이거나 쓰러질 수 있습니다.
- ▶ 테이블쏘를 켜기 전에 테이블에서 공구, 나무 조각 등을 치우십시오. 작업에 집중하지 못하거나 엉킴 현상이 발생하면 위험할 수 있습니다.
- ▶ 항상 주축 구멍의 크기와 모양(다이아몬드형 또는 원형)이 맞는 톱날을 사용하십시오. 톱날이 장착된 장비와 맞지 않으면 중심을 벗어난 상태로 작동되어 제어가 어려울 수 있습니다.
- ▶ 손상되거나 올바르지 않은 톱날 장착용 제품(예: 플랜지, 톱날 워셔, 볼트, 너트)를 사용해서는 안 됩니다. 톱날에 맞는 장착 제품을 사용하여 안전하고 최적화된 작업을 할 수 있습니다.
- ▶ 테이블쏘 위에 올라서거나 테이블쏘를 발판으로 사용하지 마십시오. 테이블쏘가 쓰러지거나 톱날에 신체가 닿으면 심각한 부상을 입을 수 있습니다.
- ▶ 톱날은 올바른 방향으로 회전하도록 설치해야 합니다. 테이블쏘 위에서 회전 슛돌, 와이어 브러시, 연삭 휠을 사용하지 마십시오. 톱날을 잘못 설치하거나 액세서리를 잘못 사용하면 심각한 부상을 입을 수 있습니다.

추가 안전 경고사항

- ▶ 톱날을 조립할 때 보호 장갑을 착용하십시오. 부상을 입을 수 있습니다.
- ▶ 고속강(HSS)으로 된 톱날은 사용하지 마십시오. 이런 톱날은 쉽게 부러질 수 있습니다.
- ▶ 전동공구를 작동할 때 항상 테이블 익스텐션을 사용해야 합니다. 손상된 테이블 익스텐션을 교체 주십시오. 하자가 있는 테이블 익스텐션을 사용하지 않으면 톱날에 상처를 입을 수 있습니다.
- ▶ 작업장을 청결하게 유지하십시오. 자재가 혼합되면 특히 위험합니다. 경합금 분진은 연소 또는 폭발을 일으킬 수 있습니다.

- ▶ 가공하고자 하는 소재에 알맞는 톱날을 선택하십시오.
- ▶ 이 사용 설명서 및 전동공구에 나와있는 특성 자료에 부합하며 EN 847-1 인증 표시가 있는 톱날만 사용하십시오.
- ▶ 본 전동공구의 제조사가 추천하는 작업 소재에 적당한 톱날만 사용하십시오.
- ▶ 톱날이 작동되는 상태에서만 작업물을 톱날에 대십시오. 그렇게 하지 않으면 톱날이 작업물에 걸려 반동이 생길 위험이 있습니다.

기호

다음에 나와있는 기호는 귀하의 전동공구를 사용하는데 중요할 수 있습니다. 그러므로 기호와 그 의미를 잘 기억해 두십시오. 기호를 제대로 이해하면 전동공구를 더욱 쉽고 안전하게 사용할 수 있습니다.

기호와 설명



전동공구가 작동하는 동안 손을 톱날 쪽으로 두지 마십시오. 톱날에 닿게 되면 상해 위험이 있습니다.



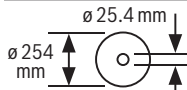
분진 마스크를 착용하십시오.



귀마개를 착용하십시오. 소음으로 인해 청각을 상실할 수 있습니다.



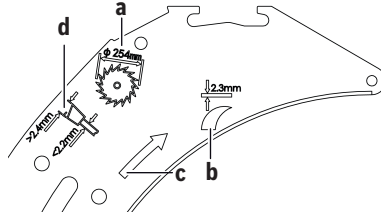
보안경을 착용하십시오.



톱날의 치수를 확인하십시오. 구멍의 직경은 톱스핀들에 정확히 맞아야 합니다. 리덕션 링 사용해야 하는 경우, 리덕션 링의 치수가 톱날 두께와 구멍의 직경, 톱스핀들의 직경에 맞는지 확인하십시오. 톱날과 함께 공급되는 리덕션 링을 최대한 활용하십시오.

톱날 직경은 기호에 적혀 있는 내용과 일치해야 합니다.

기호와 설명

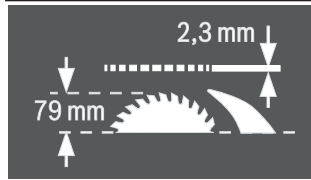


a 톱날 직경은 최대 254 mm까지 허용됩니다.

b 톱날 판 두께는 2.3 mm입니다.

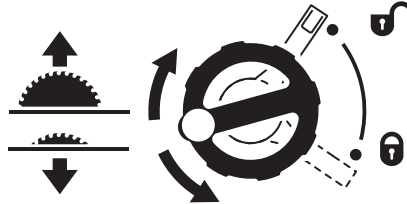
c 톱니의 절단 방향(톱날에 표시된 화살표 방향)은 반드시 톱날 판에 있는 화살표 방향과 일치해야 합니다.

d 톱날을 교체할 때는 절단 폭이 2.4 mm 이상이어야 하고, 톱날 두께는 2.2 mm 이하여야 하며 유의하십시오. 그렇지 않을 경우 톱날 판이 작업물 안에 끼이게 될 위험이 있습니다.



톱날 판 두께는 2.3 mm입니다.

최대로 작업 가능한 작업을 높이는 79 mm입니다.

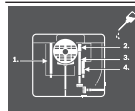


좌측:

이는 회전 방향을 나타내는 것으로 크랭크를 내리고(운반 위치), 톱날을 올리게 됩니다(작업 위치).

우측:

톱날을 고정하고 수직 마이터 각도를 설정할 때(톱날이 움직임) 잠금 레버의 위치를 나타냅니다.



필요에 따라 전동공구의 다음 부위에 오일을 바르십시오.



보호 등급 II의 전동공구는 이중 또는 보강 절연 처리되어 있습니다.



CE 마크를 통해 제조사는 해당 전동공구가 통용되는 유럽 지침을 준수함을 알립니다.

제품 및 성능 설명



모든 안전 수칙과 지침을 숙지하십시오.
다음의 안전 수칙과 지침을 준수하지 않으면 화재 위험이 있으며 감전 혹은 중상을 입을 수 있습니다.

사용 설명서 앞 부분에 제시된 그림을 확인하십시오.

규정에 따른 사용

본 전동공구는 고정식 장치로 경목 및 연목, 파티클 보드와 파이버 보드를 가로 및 세로로 직선 절단하는 데 사용됩니다. 이때 수평 마이터 각도는 -60° ~ $+60^{\circ}$ 까지, 수직 마이터 각도는 -2° ~ 47° 까지 가능합니다.

적합한 톱날을 사용하면 알루미늄 프로파일과 플라스틱을 절단할 수도 있습니다.

제품의 주요 명칭

제품의 주요 명칭에 표기되어 있는 번호는 기기 그림이 나와있는 면을 참고하십시오.

- | | |
|---|---|
| <ul style="list-style-type: none"> (1) 평행 조절자용 가이드 홈 (2) 평행 조절자에 대한 톱날 간격 눈금 (3) 각도 스톱퍼 (4) 홈 파인 잡는 부위 (5) 각도 스톱퍼용 가이드 홈 (6) 보호 커버 (7) 톱 테이블 (8) 톱날 판 (9) 반동 방지 장치^{A)} (10) 평행 조절자 (11) 톱 테이블의 평행 조절자용 V 가이드 홈 (12) 조립용 구멍 (13) 운반용 손잡이 (14) 톱 테이블 연장장치 (15) 절단기 스탠드 GTA 600용 고정 브래킷 (16) 톱 테이블 연장장치용 고정 레버 (17) 수직 마이터 각도 조절용 잠금 레버 (18) 핸드휠 (19) 톱날을 올리고 내리는 손잡이 (20) 전원 스위치 안전캡 (21) 육각키(2 mm) (22) 육각키(5 mm) (23) 링 스페너(23 mm) (24) 푸시 스틱 (25) 평행 조절자 고정력 조정 나사 (26) 테이블 인서트 (27) 톱날 (28) 확대경 (29) 프로파일 레일 (30) 케이블 홀더 | <ul style="list-style-type: none"> (31) 보조 평행 조절자 보관용 고정 클립 (32) 톱밥 배출구 (33) 공구 연동 어댑터 (34) 보호 커버 보관을 위한 홀더 (35) 톱날 판 클램핑 레버 (36) 톱날 판 육각 구멍 볼트^{A)} (37) 톱날 판용 위치 조정 핀 (38) 테이블 인서트용 홈 (39) 보호 커버 클램핑 레버 (40) 보호 커버 가이드 핀 (41) 평행 조절자의 고정 레버 (42) 평행 조절자의 V 가이드 (43) 보조 평행 조절자 (44) "보조 평행 조절자" 고정 세트 (45) 각도 스톱퍼의 가이드 레일 (46) "프로파일 레일" 고정 세트 (47) 톱밥 배출구 고정 나사 (48) 반동 방지 장치 가이드 볼트를 되당기기 위한 누름 버튼^{A)} (49) 클램핑 너트 (50) 스핀들 잠금 레버 (51) 고정 플랜지 (52) 툴 스프링들 (53) 수용 플랜지 (54) 각도 표시기(수직) (55) (수직) 마이터 각도용 눈금 (56) 다양한 (수평) 마이터 각도를 위한 잠금 손잡이 (57) 각도 스톱퍼에 있는 각도 표시기 (58) 톱 테이블의 간격 표시기 (59) ON 버튼 (60) 프로파일 레일용 널드 너트 (61) 스톱퍼 0° 설정용 십자형 볼트 (62) (수직) 0° 마이터 각도용 스톱퍼 (63) (수직) 각도 표시기용 볼트 (64) 스톱퍼 45° 설정용 십자형 볼트 (65) (수직) 45° 마이터 각도용 스톱퍼 (66) 톱날의 평행도 설정용 앞쪽 육각 구멍 볼트(5 mm) (67) 톱날의 평행도 설정용 뒤쪽 육각 구멍 볼트(5 mm) (68) 톱 테이블의 간격 표시기용 나사 (69) 평행 조절자의 평행도 설정용 육각 구멍 볼트(5 mm) (70) 평행 조절자의 간격 표시기용 나사 (71) 테이블 인서트용 조정 나사 (72) "보조 평행 조절자" 고정 세트 보관을 위한 홀더 (73) 공구 연동 어댑터 보관용 고정 클립 |
|---|---|

- (74) 반동 방지 장치 보관을 위한 홀더^{A)}
- (75) 링 스페너와 푸시 스틱 고정 너트
- (76) 육각키 보관을 위한 홀더
- (77) 각도 스토퍼 보관용 고정 클립

A) 국가 사양 **3 601 M30 5C2**

제품 사양

| 테이블쏘 | | GTS 10 J | |
|-------------------------------|-------------------|----------------------|--|
| 제품 번호 | | 3 601 M30 5.. | |
| 소비 전력 | W | 1800 | |
| 정격 전압 | V | 220 - 240 | |
| 주파수 | Hz | 50/60 | |
| 무부하 속도 | min ⁻¹ | 3650 | |
| 시동 전류 제한장치 | | ● | |
| EPTA-Procedure 01:2014에 따른 총량 | kg | 26.2 | |
| 보호 등급 | | □/ | |
| 치수(탈착식 기기 부품 포함) | | | |
| 너비 x 깊이 x 높이 | mm | 640 x 706 x 330 | |
| 적당한 톱날의 크기 | | | |
| 톱날 직경 | mm | 254 | |
| 톱날 두께 | mm | < 2.2 | |
| 최소 톱니 두께/톱니 세팅 | mm | > 2.4 | |
| 구멍 직경 | mm | 25.4 | |

최대작업물 치수 (참조 „최대 작업물 치수“, 페이지 58)
 자료는 정격 전압 [U] 230V를 기준으로 한 것입니다. 전압이 다른 경우 및 국가별 사양에 따라 변동이 있을 수 있습니다.

조립

- ▶ 실수로 전동공구가 작동하지 않도록 주의하십시오. 조립을 하거나 전동공구에 모든 작업을 하기 전에 반드시 콘센트에서 전원 플러그를 빼 놓으십시오.

공급 내역

전동공구를 처음 사용하기 전에 먼저 아래에 열거된 부품이 모두 공급되었는지 확인해 보십시오:

- 톱날 (27) 및 톱날 판 (8) 이 장착된 테이블쏘
- 각도 스토퍼 (3)
- 프로파일 레일 (29)
- "프로파일 레일" 고정 세트 (46) (가이드 판, 널드 너트, 나사, 와셔)
- 평행 조절자 (10)
- 보조 평행 조절자 (43)
- "보조 평행 조절자" 고정 세트 (44) (고정 나사 3개, 와셔 3개, 날개 너트 3개)
- 보호 커버 (6)
- 반동 방지 장치 (9) (국가별 사양 **3 601 M30 5C2**)
- 육각키 (22)

- 육각키 (21)
- 링 스페너 (23)
- 푸시 스틱 (24)
- 테이블 인서트 (26)
- 흡입 어댑터 (33)

지침: 흡기 전동공구가 손상되지 않았는지 확인해 보십시오.

전동공구를 계속 사용하기 전에 보호장치나 경미하게 손상된 부품이 아무 하자 없이 제대로 기능을 하는지 조심스럽게 확인해 보아야 합니다. 또한 가동 부위가 하자 없이 정상적인 기능을 하는지, 걸리는 부위가 없는지 혹은 부품이 손상되지 않았는지 확인하십시오. 기기를 제대로 작동하려면 모든 부품이 올바르게 조립되어 있어야 하고 모든 조건을 만족해야 합니다.

손상된 보호장치나 부품은 지정 서비스 센터에 맡겨 수리하거나 교환하도록 해야 합니다.

개별 부품 조립하기

- 모든 공급되는 부품을 조심스럽게 포장에서 꺼내십시오.
- 전동기기와 함께 공급되는 액세서리에서 포장재를 빼십시오.
- 모터 아래에 있는 포장재를 제거하십시오.
- 하우징에 직접 고정되어 있는 부품: 푸시 스틱 (24), 링 스페너 (23), 육각키 (22)(21), 평행 조절자 (10), 각도 스토퍼 (3), 공구 연동 어댑터 (33), 보조 평행 조절자 (43) 및 고정 세트 (44) 보호 커버 (6).
- 이 부품 중 필요한 부품이 있으면, 보관함에서 해당 부품을 조심스럽게 꺼내십시오.

톱날 판 위치 설정하기(그림 a1-a2 참조)

지침: 필요한 경우 위치를 정렬하기 전에 조립하려는 모든 부품을 깨끗이 닦으십시오.

- 손잡이 (19) 를 톱날 (27) 이 톱 테이블 위로 제대로 나올 때까지 시계 방향으로 끝까지 돌리십시오.
- 클램핑 레버 (35) 를 푸십시오.
또는
국가별 사양 **3 601 M30 5C2**: 육각 구멍 볼트 (36) 를 육각키 (22) 를 이용하여 푸십시오.
- 톱날 판 (8) 을 클램핑 레버 (35) 방향으로 밀어서 톱날 판이 위쪽으로 당겨질 수 있게 하십시오.
- 톱날 판을 맨 위쪽으로 당겨서 톱날 판이 톱날의 정중앙에 위치하게 하십시오.
- 양쪽의 핀 (37) 이 톱날 판의 아래쪽 구멍에 맞물리게 한 후, 클램핑 레버 (35) 또는 육각 구멍 볼트 (36) 를 다시 조이십시오.

테이블 인서트 조립하기(그림 b 참조)

- 테이블 인서트 (26) 를 끼우는 부위의 뒤쪽 홈 (38) 에 걸리게 끼우십시오.
- 테이블 인서트를 아래쪽으로 설치하십시오.
- 테이블 인서트가 끼우는 부위 앞쪽에 고정될 때까지 테이블 인서트를 누르십시오.

테이블 인서트 (26)의 앞면은 가장자리가 일치되게 하거나 톱 테이블 약간 아래쪽에 위치해야 하며, 뒷면은 가장자리가 일치되게 하거나 톱 테이블 약간 위쪽에 위치해야 합니다.

보호 커버 조립하기(그림 c1 - c2 참조)

지침: 보호 커버는 톱날 판이 정확하게 톱날 중앙 맨 위쪽에 위치할 경우에만 조립하십시오(그림 a2 참조). 톱날 판이 맨 아래쪽에 위치하고 있다면(출고 상태 또는 홈 톱 작업 위치), 보호 커버를 조립하지 마십시오(그림 a1 참조).

- 클램핑 레버 (39)를 풀고, 보호 커버 (6)를 홀더 (34)로부터 빼내십시오.
- 한 손으로는 보호 커버 (6)의 톱날 보호 장치(위쪽 금속 레일)를 꼭 잡은 채, 다른 한 손으로 클램핑 레버 (39)를 위쪽으로 향하게 하십시오.
- 가이드 핀 (40)을 뒤쪽으로 밀어서 톱날 판 (8) 홈 안으로 넣습니다.
- 톱날 보호 장치(위쪽 금속 레일)가 톱 테이블 (7) 표면에 **나란하게** 위치할 때까지 보호 커버 (6)를 아래쪽으로 끼우십시오.
- 클램핑 레버 (39)를 아래쪽으로 미십시오. 클램핑 레버가 확실하게 맞물려 잠기는 느낌 및 소리가 나야 합니다. 아울러 보호 커버 (6)는 안전하게 고정되어 장착된 상태여야 합니다.

▶ **사용하기 전 항상 보호 커버가 이상 없이 움직이는지 확인하십시오. 만약 보호 커버의 움직임이 자유롭지 못하고, 곧바로 닫혀지지 않는다면, 전 동공구를 사용하지 마십시오.**

평행 조절자 조립하기(그림 d 참조)

평행 조절자 (10)는 톱날의 좌측 또는 우측에 위치할 수 있습니다.

- 평행 조절자 (10)의 고정 레버 (41)를 푸십시오. 이렇게 하면 V 가이드 (42)에 가해지는 힘이 제거됩니다.
- 먼저 평행 조절자를 V 가이드와 함께 톱 테이블의 가이드 홈 (11)에 끼우십시오. 그리고 나서 평행 조절자를 톱 테이블의 앞쪽 가이드 홈 (1)에 위치시키십시오. 평행 조절자는 이제 원하는 대로 이동시킬 수 있습니다.
- 평행 조절자를 고정하려면 고정 레버 (41)를 다시 아래쪽으로 누르십시오.

보조 평행 조절자 조립하기(그림 e 참조)

폭이 좁은 작업물을 톱으로 절단하고, 수직 마이터 각도로 톱 작업하려면, 반드시 보조 평행 조절자 (43)를 평행 조절자 (10)에 추가로 장착해야 합니다.

보조 평행 조절자는 필요에 따라 평행 조절자 (10)의 좌측 또는 우측에 조립할 수 있습니다.

조립하려면 "보조 평행 조절자" 고정 세트 (44) (고정 나사 2개, 와셔 2개, 날개 너트 2개)를 사용하십시오.

- 평행 조절자 (10)의 측면 홈에 고정 나사를 밀어 넣으십시오.
- 이때 나사 헤드는 보조 평행 조절자의 가이드 역할을 합니다.

- 보조 평행 조절자 (43)는 고정 나사의 헤드 위쪽으로 밀어 넣습니다.
- 와셔를 고정 나사에 설치하고 날개 너트를 이용해 나사를 조이십시오.

각도 스토퍼 조립하기(그림 f1-f2 참조)

- 각도 스토퍼 (3)의 레일 (45)을 톱 테이블의 해당 가이드 홈 (5) 중 한 곳에 끼우십시오. 긴 작업물을 고정하기 위해 각도 스토퍼를 프로파일 레일 (29)을 이용해 연장할 수 있습니다.
- 필요에 따라 고정 세트 (46)를 사용하여 프로파일 레일을 각도 스토퍼에 조립하십시오.

분진 및 톱밥 추출장치

납 성분을 포함한 페인트나 몇몇 나무 종류, 또는 광물 성분 그리고 철과 같은 재료의 분진은 건강을 해칠 수 있습니다. 이 분진을 만지거나 호흡할 경우, 사용자나 주변 사람들이 알레르기 반응이나 호흡기 장애를 일으킬 수 있습니다.

떡갈나무나 너도밤나무와 같은 특정한 분진은 암을 유발시키며, 특히 목재 처리용으로 사용되는 부가 원료 (크로마트, 목재 보호제)와 혼합되면 암을 유발시키게 됩니다. 석면 성분을 포함한 재료는 전문 가만 작업할 수 있습니다.

- 가능하면 작업물 소재에 적당한 분진 추출장치를 사용하십시오.
- 작업장의 통풍이 잘 되도록 하십시오.
- 필터등급 P2가 장착된 호흡 마스크를 사용하십시오.

작업용 재료에 관해 국가가 지정한 규정을 고려하십시오.

분진 및 톱밥 추출장치가 분진, 톱밥 혹은 작업물의 파편으로 막힐 수 있습니다.

- 이러한 경우 전동공구의 스위치를 끄고 전원 콘센트에서 플러그를 뽑으십시오.
- 톱날이 완전히 정지할 때까지 기다리십시오.
- 막히게 된 원인을 찾아 해결하십시오.

▶ **작업장에 분진이 쌓이지 않도록 하십시오.** 분진이 쉽게 발화할 수 있습니다.

▶ **알루미늄 소재 톱 작업 시 화재를 방지하려면, 톱밥 배출구의 내용물을 비우고, 톱밥 추출장치를 사용하지 마십시오.**

톱밥 배출구 비우기(그림 g 참조)

작업물의 부스러기와 큰 톱밥을 제거하기 위해 아래쪽 톱밥 배출구 (32)를 비울 수 있습니다.

- 이러한 경우 전동공구의 스위치를 끄고 전원 콘센트에서 플러그를 뽑으십시오.
- 톱날이 완전히 정지할 때까지 기다리십시오.
- 고정 나사 (47)를 육각키 (22)를 이용하여 푸십시오.
- 톱밥 배출구 (32)를 빼낸 후 작업물의 부스러기와 톱밥을 제거하십시오.
- 톱밥 배출구를 다시 전동공구에 조립하십시오.

외부 분진 처리(그림 h 참조)

함께 공급된 공구 연동 어댑터 (33) 를 사용하여 진공청소기를 튼납 배출구 (32) 에 연결하십시오.

- 공구 연동 어댑터 (33) 및 진공청소기 호스를 단단히 끼우십시오.

진공 청소기는 작업하는 소재에 적당한 것이어야 합니다.

특히 건강에 유해한 발암성 혹은 건조한 분진을 처리해야 할 경우에는 특수한 청소기를 사용해야 합니다.

고정식 혹은 이동식 조립

- ▶ 안전한 작업을 하려면 전동공구를 사용하기 전에 먼저 작업대 처럼 안정적이고 평평한 작업면 위에 조립해야 합니다.

작업대에 조립하기(그림 i 참조)

- 전동공구를 적당한 고정 볼트를 사용하여 작업대에 고정하십시오. 이때 구멍 (12) 을 사용하십시오.

보쉬 절단기 스탠드에 조립하기(그림 j 참조)

보쉬의 절단기 스탠드(예: GTA 600)를 사용하면 높이 조절이 가능한 발이 있어 전동공구를 각종 바닥면에 안정된 상태로 세울 수 있습니다.

- ▶ 절단기 스탠드에 첨부되어 있는 모든 경고 사항과 사용 설명서를 자세히 읽고 지켜야 합니다. 경고 사항과 사용 설명서를 준수하지 않으면 화재 위험이 있으며 감전 혹은 중상을 입을 수 있습니다.
- ▶ 전동공구를 조립하기 전에 절단기 스탠드를 제대로 세워야 합니다. 절단기 스탠드를 올바르게 세워야 쓰러질 위험이 줄어듭니다.
- 전동공구를 운반 시의 위치로 절단기 스탠드 위에 조립하십시오.

튼날 교환하기(그림 k1-k4 참조)

- ▶ 전동공구를 보수 정비하기 전에 반드시 콘센트에서 전원 플러그를 빼십시오.
- ▶ 튼날을 조립할 때 보호 장갑을 착용하십시오. 부상을 입을 수 있습니다.
- ▶ 튼날에 허용되는 속도가 전동공구의 최고 무부하 속도보다 높은 튼날만 사용해야 합니다.
- ▶ 이 사용 설명서 및 전동공구에 나와있는 특성 자료에 부합하며 EN 847-1 인증 표시가 있는 튼날만 사용하십시오.
- ▶ 본 전동공구는 제조사가 권장하는 튼날 및 작업에 적합한 자재만 사용하십시오. 이를 통해 튼니 끝 부분의 과열 현상 및 작업할 플라스틱 자재가 녹아내리는 현상을 방지할 수 있습니다.
- ▶ 본 전동공구의 제조사가 추천하는 작업 소재에 적당한 튼날만 사용하십시오.
- ▶ 고속강(HSS)으로 된 튼날은 사용하지 마십시오. 이런 튼날은 쉽게 부러질 수 있습니다.

튼날 탈착하기

- 손잡이 (19) 를 튼날 (27) 이 튼 테이블 위로 최대한 나올 때까지 끝까지 돌리십시오.

- 클램핑 레버 (39) 를 풀고, 보호 커버 (6) 를 튼날 판 (8) 의 홈으로부터 당기십시오.
- 국가별 사양 3 601 M30 5C2 의 경우 추가 사항:
누름 버튼 (48) 을 함께 눌러 반동 방지 장치 (9) 를 튼날 판 (8) 구멍에서 당기십시오.
- 스크류 드라이버를 사용해서 테이블 인서트 (26) 앞쪽을 들어올린 후 끼우는 부위에서 분리하십시오.
- 클램핑 너트 (49) 를 링 스페너 (23) 를 사용해서 돌리고, 이와 동시에 스프링 잠금 레버 (50) 가 맞물려 잠길 때까지 당기십시오.
- 스프링 잠금 레버를 당긴 상태에서 클램핑 너트를 시계 반대방향으로 돌려 풀어 줍니다.
- 고정 플랜지 (51) 를 분리하십시오.
- 튼날 (27) 을 분리하십시오.

튼날 장착하기

필요에 따라, 장착하기 전에 조립하려는 모든 부품을 깨끗이 닦으십시오.

- 톨 스프링 (52) 의 고정 플랜지 (53) 에 새 튼날을 끼우십시오.

지침: 너무 작은 튼날을 사용하지 마십시오. 튼날과 튼날 판 사이의 반경 방향 틈새는 최대 3 - 8 mm여야 합니다.

- ▶ 튼날을 끼울 때 튼니의 절단 방향(튼날에 표시된 화살표 방향)이 튼날 판에 나와 있는 화살표 방향과 일치하도록 유의하십시오!
- 고정 플랜지 (51) 및 클램핑 너트 (49) 를 끼우십시오.
- 클램핑 너트 (49) 를 링 스페너 (23) 를 사용해서 돌리고, 이와 동시에 스프링 잠금 레버 (50) 가 맞물려 잠길 때까지 당기십시오.
- 클램핑 너트를 시계 방향으로 조이십시오.
- 테이블 인서트 (26) 를 다시 끼우십시오.
- 보호 커버 (6) 를 다시 장착하십시오.
- 국가별 사양 3 601 M30 5C2 의 경우 추가 사항:
반동 방지 장치 (9) 를 다시 장착하십시오.

작동

- ▶ 전동공구를 보수 정비하기 전에 반드시 콘센트에서 전원 플러그를 빼십시오.

튼날의 운반 및 작동 치

운반 시 위치

- 튼날 커버 (6) 를 제거하려면, 테이블 인서트 (26) 를 제거한 후 튼날 판 (8) 을 맨 아래쪽에 위치시키십시오. 테이블 인서트 (26) 를 다시 끼우십시오.
- 손잡이 (19) 를 튼날 (27) 의 튼니가 튼 테이블 (7) 의 아래쪽에 있을 때까지 시계 반대방향으로 돌리십시오.
- 튼 테이블 연장장치 (14) 를 안쪽으로 완전히 밀어 넣습니다.

고정 레버 (16) 를 아래쪽으로 미십시오. 이를 통해 톱 테이블 연장장치가 고정됩니다.

작업 위치

- 톱날 판 (8) 을 톱날 중앙 맨 위쪽으로 가져온 후, 테이블 인서트 (26) 를 끼우고 톱날 커버 (6) 를 조립하십시오.
- 톱날 (27) 의 위쪽 톱니가 작업물의 약 3 - 6 mm 위쪽에 위치할 때까지 손잡이 (19) 를 돌리십시오.

수직 및 수평 마이터 각도 설정하기

정밀한 절단 작업을 하려면 전동공구를 집중적으로 사용하고 나서 그 기본 세팅 사항을 확인해 보고 필요에 따라 다시 설정해야 합니다.

수직 마이터 각도 설정하기(톱날)(그림 A 참조)

수직 마이터 각도는 -2° ~ 47° 범위에서 설정할 수 있습니다.

- 잠금 레버 (17) 를 시계 반대 방향으로 푸십시오.
- 지침:** 잠금 레버가 완전히 풀리게 되면 톱날이 중력으로 인해 약 30° 에 해당하는 위치로 기울어집니다.
- 핸드휠 (18) 을 각도 표시기 (54) 에 원하는 수직 마이터 각도가 보일 때까지 연결부를 따라 당기거나 누르십시오.
- 핸드휠을 이 위치에서 꼭 잡고 잠금 레버 (17) 를 다시 조입니다.

수직 표준 각도인 0° 와 45° 를 신속하고 정확하게 설정하기 위해 공장에서 설정된 스토퍼((62), (65))가 있습니다.

수평 마이터 각도 설정하기(각도 스토퍼)(그림 B 참조)

수평 마이터 각도는 60° (좌측) ~ 60° (우측) 범위에서 설정할 수 있습니다.

- 잠금 손잡이 (56) 가 조여져 있으면 이를 푸십시오.
- 각도 표시기 (57) 에 원하는 마이터 각도가 보일 때까지 각도 스토퍼를 돌리십시오.
- 잠금 손잡이 (56) 를 다시 조이십시오.

톱 테이블 연장하기

길고 무거운 작업물에 작업할 경우, 과적되지 않은 끝부분의 아래쪽을 받쳐 주어야 합니다.

톱 테이블 연장장치(그림 C 참조)

톱 테이블 연장장치 (14) 는 톱 테이블 (7) 을 최대 625 mm 우측으로 늘려줍니다.

- 톱 테이블 연장장치용 고정 레버 (16) 를 완전히 위쪽으로 당기십시오.
- 원하는 길이에 맞춰 톱 테이블 연장장치 (14) 를 바깥쪽으로 당기십시오.
- 고정 레버 (16) 를 아래쪽으로 미십시오. 이를 통해 톱 테이블 연장장치가 고정됩니다.

평행 조절자 설정하기

평행 조절자 (10) 는 톱날의 좌측(흑색 눈금) 또는 우측(은색 눈금)에 위치할 수 있습니다. 확대

경 (28) 에 있는 표시는 눈금 (2) 에 나와 있는 평행 조절자에서 톱날까지의 설정된 간격을 나타냅니다. 평행 조절자를 톱날의 원하는 측면에 위치시키십시오.

톱 테이블을 분리하지 않은 상태에서 평행 조절자 설정하기

- 평행 조절자 (10) 의 고정 레버 (41) 를 푸십시오. 확대경 (28) 의 표시가 원하는 톱날까지의 간격이 될 때까지 평행 조절자를 밀니다. 톱 테이블을 분리하지 않은 상태에서는 아래쪽 은색 눈금 (2) 표시가 적용됩니다.
- 고정하려면 고정 레버 (41) 를 다시 아래쪽으로 누르십시오.

톱 테이블을 분리하지 않은 상태에서 평행 조절자 설정하기(그림 D 참조)

- 평행 조절자를 톱날의 오른쪽에 두십시오. 확대경 (28) 의 표시가 아래쪽 눈금에 26 cm가 보일 때까지 평행 조절자를 밀니다. 고정하려면 고정 레버 (41) 를 다시 아래쪽으로 누르십시오.
- 톱 테이블 연장장치용 고정 레버 (16) 를 완전히 위쪽으로 당기십시오.
- 톱 테이블 연장장치 (14) 를 바깥쪽으로 당겨 간격 표시기 (58) 가 위쪽 눈금에 원하는 톱날과의 간격이 표시되게 하십시오.
- 고정 레버 (16) 를 아래쪽으로 미십시오. 이를 통해 톱 테이블 연장장치가 고정됩니다.

보조 평행 조절자 설정하기(그림 E 참조)

폭이 좁은 작업물을 톱으로 절단하고, 수직의 마이터 각도를 톱질하려면, 반드시 보조 평행 조절자 (43) 를 평행 조절자 (10) 에 추가로 장착해야 합니다.

보조 평행 조절자는 필요에 따라 평행 조절자 (10) 의 좌측 또는 우측에 조립할 수 있습니다.

절단 작업 시 작업물이 평행 조절자와 톱날 사이에 걸리거나, 올라오는 톱날에 박히거나 튕길 수 있습니다.

그러므로 가이드 끝이 톱날의 맨 앞쪽 톱니와 톱날 판의 앞 모서리 사이에 정지하도록 보조 평행 조절자를 조절하십시오.

- 이를 위해 고정 세트 (44) 의 모든 날개 너트를 풀어 보조 평행 조절자를 밀어 양쪽의 앞쪽 볼트만 고정 역할을 하도록 하십시오.
- 날개 너트를 다시 조입니다.

톱날 판 조절하기

톱날 판 (8) 은 톱날 (27) 이 절단 톱에 걸리는 것을 방지해 줍니다. 그렇지 않으면 톱날이 작업물에 박히게 되어 반동이 생길 위험이 있습니다.

그러므로 항상 톱날 판이 제대로 설정되어 있는지 확인해 보십시오:

- 톱날과 톱날 판 사이의 변경 방향 틈새는 최대 3 - 8 mm여야 합니다.
- 톱날 판의 두께는 절단 폭보다 작고 톱날 두께보다 커야 합니다.

- 톱날 판은 항상 톱날과 일직선 상에 있어야 합니다.
- 일반적인 절단 작업 시 톱날 판은 항상 가장 높은 위치에 있어야 합니다.

톱날 판 높이 설정하기(그림 F 참조)

- 홈파기 작업을 하려면 톱날 판의 높이를 조절해야 합니다.
- ▶ **홈을 파거나 축내기 작업을 하기 위해 전동공구를 사용할 때는 반드시 이에 적합한 해당 보호장치(예: 터널 보호 커버, 스러스트 칼라)를 구비해야 합니다.**
 - 클램핑 레버 (39) 를 풀고, 보호 커버 (6) 를 톱날 판 (8) 의 홈으로부터 당기십시오. 보호 커버가 손상되지 않게 보호하려면, 이를 하우징의 해당 홈더 (34) 에 보관하십시오(그림 O1 참조).
 - 국가별 사양 **3 601 M30 5C2** 의 경우 추가 사항: 누름 버튼 (48) 을 함께 눌러 반동 방지 장치 (9) 를 톱날 판 (8) 구멍에서 당기십시오. 반동 방지 장치가 손상되지 않게 보관하려면, 반동 방지 장치를 하우징의 해당 홈더 (74) 에 고정하십시오(그림 O1 참조).
 - 손잡이 (19) 를 톱날 (27) 이 톱 테이블 위로 최대한 나올 때까지 시계 방향으로 끝까지 돌리십시오.
 - 클램핑 레버 (35) 를 푸십시오.
 - 국가별 사양 **3 601 M30 5C2** : 육각 구멍 볼트 (36) 를 육각키 (22) 를 이용하여 푸십시오.
 - 톱날 판을 핀 (37) 으로부터 당기고(클램핑 레버 (35) 를 약간 바깥쪽으로 당김), 톱날 판 (8) 을 끝까지 아래쪽으로 미십시오.
 - 양쪽의 핀 (37) 이 톱날 판의 아래쪽 구멍에 맞물리게 한 후, 클램핑 레버 (35) 를 다시 조이십시오.

기계 시동

- ▶ **전원 전압에 유의하십시오!** 공급되는 전원의 전압은 전동공구의 명판에 표기된 전압과 동일해야 합니다.

전원 켜기(그림 G1 참조)

- 안전캡 (20) 을 위쪽으로 젖히십시오.
- 작동시키려면 ON 버튼 (59) 을 누르십시오.
- 안전캡 (20) 을 다시 아래쪽으로 내리십시오.

전원 끄기(그림 G2 참조)

- 안전 플랩 (20) 을 누르십시오.

정전

전원 스위치는 정전 후(작동 중에 전원 플러그를 뽑거나 등)에 전동공구의 재시동을 방지하는 스위치로 전압 스위치입니다.

이후에 다시 전동공구를 작동시키려면, 녹색 ON 버튼 (59) 을 다시 눌러야 합니다.

사용 방법

절단기에 관한 일반 사항

- ▶ **모든 절단작업 시 우선 톱날이 절대로 멈출 나사나 기타 기기의 부위에 접하지 않도록 해야 합니다.**
- ▶ **홈을 파거나 축내기를 하기 위해 전동공구를 사용할 때는 반드시 이에 적합한 해당 보호장치(예: 터널 보호 커버, 스러스트 칼라)를 구비해야 합니다.**
- ▶ **(홈 작업이 완료된 작업물에서) 슬롯 작업용으로 본 전동공구를 사용하지 마십시오.**

톱날에 충격을 주거나 힘을 가하지 마십시오. 측면에서 톱날에 압력을 가하지 마십시오.

작업물이 걸리는 것을 방지하려면 쇠기가 톱날과 일직선으로 있어야 합니다.

비틀어진 작업물에 작업하지 마십시오. 작업물은 평행 조절자에 대기 위해 모서리가 항상 직선이어야 합니다.

푸시 스틱을 항상 전동공구에 보관하십시오.

작업자의 위치(그림 H 참조)

- ▶ **톱날 바로 뒤에 서지 마십시오. 항상 톱날 펜스와 같은 선상에 있어야 합니다.** 킥백 현상이 발생할 경우 톱날의 바로 앞이나 톱날과 같은 선상에 있는 사람에게 가공물이 매우 빠르게 날아갈 수 있습니다.
- 손, 손가락, 팔을 회전하는 톱날 가까이에 두지 마십시오.

이때 다음의 사항을 준수하십시오:

- 작업물을 두 손으로 안전하게 잡고 톱 테이블 위로 꼭 누르십시오.
- 폭이 좁은 작업물 및 수직 마이터 각도를 톱 작업하려면, 항상 함께 배송된 푸시 스틱 (24) 및 보조 평행 조절자 (43) 를 사용하십시오.

최대 작업물 치수

| 수직 마이터 각도 | 작업물 최대 높이 [mm] |
|-----------|----------------|
| 0° | 79 |
| 45° | 56 |

톱 작업

직선형 절단 작업

- 평행 조절자 (10) 를 원하는 절단 폭으로 설정하십시오.
- 작업물을 톱 테이블 위의 보호 커버 (6) 앞에 놓으십시오.
- 톱날 (27) 의 위쪽 톱니가 작업물 표면 위로 약 3 - 6 mm 정도 나오게 될 때까지 손잡이 (19) 로 톱날을 올리고 내리십시오.
- 전동공구의 스위치를 켜십시오.
- 일정한 속도로 작업물에 절단작업을 하십시오. 압력을 너무 세게 가하면, 톱날 끝이 과열되어 작업물이 손상될 수 있습니다.
- 전동공구의 스위치를 끄고 나서 톱날이 완전히 정지할 때까지 기다립니다.

수직 마이터 각도로 절단하기

- 톱날에서 원하는 수직 마이터 각도를 설정하십시오.
톱날이 좌측으로 기울어진 경우 평행 조절자 (10) 는 톱날의 우측에 있어야 합니다.
- (참조 „직선형 절단 작업“, 페이지 58)의 작업 절차를 준수하십시오.

수평 마이터 각도로 절단하기(그림 I 참조)

- 각도 스토퍼 (3) 에서 원하는 수평 마이터 각도를 설정하십시오.
- 작업물을 프로파일 레일 (29) 에 올려 놓으십시오.
프로파일이 절단선에 위치해서는 안 됩니다. 이러한 경우 널드 너트 (60) 를 풀고, 프로파일 레일의 위치를 옮기십시오.
- 톱날 (27) 의 위쪽 톱니가 작업물 표면 위로 약 3 - 6 mm 정도 나오게 될 때까지 손잡이 (19) 로 톱날을 올리고 내리십시오.
- 전동공구의 스위치를 켜십시오.
- 한 손으로 작업물을 프로파일 레일 (29) 을 향해 누르면서 다른 손으로는 잠금 손잡이 (56) 에서 각도 스토퍼를 가이드 홈 (5) 앞쪽으로 천천히 미십시오.
- 전동공구의 스위치를 끄고 나서 톱날이 완전히 정지할 때까지 기다립니다.

기본 세팅 확인 및 조절하기

정밀한 절단 작업을 하려면 전동공구를 집중적으로 사용하고 나서 그 기본 세팅 사항을 확인해 보고 필요에 따라 다시 설정해야 합니다.

이 경우 경험이 있어야 하고 해당하는 특수공구가 필요합니다.

보쉬 지정 서비스 센터에서 작업을 올바르게 신속하게 처리합니다.

수직 표준 마이터 각도 0°/45° 스토퍼 설정하기

- 전동공구를 작업 위치로 둡니다.
- 톱날에서 수직 마이터 각도를 0°로 설정하십시오.
- 보호 커버 (6) 를 제거하십시오.

확인하기(그림 J1 참조)

- 각도 게이지를 90°에 맞추고, 톱 테이블 (7) 위에 놓습니다.
- 각도 게이지의 암이 전체 길이에 걸쳐 톱날 (27) 과 정확히 맞아야 합니다.

설정하기(그림 J2 참조)

- 나사 (61) 를 푸십시오. 나사를 풀면 0° 스토퍼 (62) 를 움직일 수 있습니다.
- 잠금 레버 (17) 를 푸십시오.
- 각도 게이지의 레그가 톱날과 완전히 일직선이 될 때까지 핸드휠 (18) 을 0° 스토퍼 쪽으로 밀니다.
- 핸드휠을 이 위치에서 꺾 잡고 잠금 레버 (17) 를 다시 조입니다.
- 나사 (61) 를 다시 조입니다.

조정 후 각도 표시기 (54) 가 눈금 (55) 의 0° 표시와 일치하지 않을 경우, 일반 십자 스크류 드라이버를 이용하여 볼트 (63) 를 풀고 각도 표시기를 0° 표시에 맞춰 정렬하십시오.

수직 마이터 각도 45°의 경우에도 위에서 설명한 작업 단계를 반복하십시오(나사 (64) 풀기; 45° 스토퍼 (65) 밀기). 이때 각도 표시기 (54) 를 다시 조정해서는 안 됩니다.

각도 스토퍼의 가이드 홈과 톱날 간의 평행성(그림 K 참조)

- 전동공구를 작업 위치로 둡니다.
- 보호 커버 (6) 를 제거하십시오.

확인하기

- 테이블 인서트 위 뒤쪽에서 보이게 연필로 첫 번째 좌측 톱니를 표시하십시오.
- 각도 게이지를 90°에 맞추고, 가이드 홈 (5) 의 모서리에 놓습니다.
- 각도 게이지의 레그가 표시된 톱니에 닿을 때까지 밀고 톱날과 가이드 홈 사이의 간격을 확인하십시오.
- 표시된 톱니가 테이블 인서트 위의 전면에 올 때까지 톱날을 돌리십시오.
- 각도 게이지를 가이드 홈을 따라 표시된 톱니까지 밀어 줍니다.
- 다시 톱날과 가이드 홈 사이의 간격을 측정하십시오.

양쪽에서 측정된 간격이 동일해야 합니다.

설정하기

- 톱 테이블 아래 전면에 있는 육각 구멍 볼트 (66) 및 톱 테이블 아래 후면에 있는 육각 구멍 볼트 (67) 를 함께 공급되는 육각키 (22) 로 풀어줍니다.
- 톱날이 가이드 홈 (5) 과 평행이 될 때까지 조심스럽게 톱날을 움직이십시오.
- 모든 볼트 (66) 및 (67) 를 다시 꺾 조입니다.

톱 테이블 간격 표시기 설정하기(그림 L 참조)

- 평행 조절자를 톱날의 오른쪽에 두십시오.
- 확대경 (28) 의 표시가 아래쪽 눈금에 26 cm가 보일 때까지 평행 조절자를 밀니다.
- 고정하려면 고정 레버 (41) 를 다시 아래쪽으로 누르십시오.
- 고정 레버 (16) 를 맨위쪽으로 당기고, 톱 테이블 연장장치 (14) 를 바깥쪽으로 끝까지 당기십시오.

확인하기

간격 표시기 (58) 의 위쪽 눈금 (2) 은 아래쪽 눈금 (2) 에 있는 확대경 (28) 의 표시와 동일해야 합니다.

설정하기

- 톱 테이블 연장장치 (14) 를 바깥쪽으로 끝까지 당기십시오.
- 십자형 스크류 드라이버로 나사 (68) 를 풀고 간격 표시기 (58) 를 위쪽 눈금 (2) 의 26 cm 표시를 따라 맞추십시오.

평행 조절자의 평행도 설정하기(그림 M 참조)

- 전동공구를 작업 위치로 둡니다.
- 보호 커버 (6) 를 제거하십시오.
- 평행 조절자의 고정 레버 (41) 를 풀고, 평행 조절자가 톱날과 접촉되는 위치로 옮기십시오.

확인하기

평행 조절자 (10) 는 반드시 전체 길이에 걸쳐 톱날과 접촉되어야 합니다.

설정하기

- 육각 구멍 볼트 (69) 를 동봉된 육각키 (22) 를 이용하여 푸십시오.
- 평행 조절자가 전체 길이에 걸쳐 톱날과 접촉될 때까지 평행 조절자 (10) 를 조심스럽게 움직이십시오.
- 이 위치에서 평행 조절자를 그대로 멈춘 후, 고정 레버 (41) 를 다시 아래쪽으로 누르십시오.
- 육각 구멍 볼트 (69) 를 다시 단단히 조이십시오.

평행 조절자의 고정력 조절하기

평행 조절자 (10) 를 자주 사용하면 고정력이 줄어들 수 있습니다.

- 평행 조절자가 다시 톱 테이블 상에서 단단히 고정될 수 있을 때까지 조정 나사 (25) 를 계속 조이십시오.

평행 조절자의 확대경 설정하기(그림 M 참조)

- 전동공구를 작업 위치로 둡니다.
- 보호 커버 (6) 를 제거하십시오.
- 평행 조절자 (10) 가 톱날에 닿을 때까지 오른쪽에서부터 평행 조절자를 미십시오.

확인하기

확대경 (28) 의 표시는 눈금 (2) 의 0-mm 표시와 일치선 상에 있어야 합니다.

설정하기

- 십자형 스크류 드라이버로 나사 (70) 를 풀고 표시를 0-mm 표시를 따라 맞추십시오.

테이블 인서트 레벨 설정하기(그림 N 참조)**확인하기**

테이블 인서트 (26) 의 앞면은 가장자리가 일치되게 하거나 톱 테이블 약간 아래쪽에 위치해야 하며, 뒷면은 가장자리가 일치되게 하거나 톱 테이블 약간 위쪽에 위치해야 합니다.

설정하기

- 테이블 인서트 (26) 를 제거하십시오.
- 육각키를 (22) 이용해서 네 개의 조정 나사 (71) 가 올바른 레벨에 올 수 있게 설정하십시오.

보관 및 운반**기기 부품 보관하기(그림 O1-O5 참조)**

전동공구 자체에 안전하게 특정한 부품을 고정하여 보관할 수 있습니다.

- 보조 평행 조절자 (43) 를 평행 조절자 (10) 에서 푸십시오.
- 느슨한 상태의 모든 기기 부품을 하우징의 해당 보관함에 끼우십시오(다음 표 참조).

| 그림 | 기기 부품 | 보관 부위 |
|----|-------------------------------------|---|
| O1 | 보호 커버 (6) | 홀더 (34) 의 홈에 넣고, 클램핑 레버 (39) 를 사용해서 조이십시오 |
| O1 | 반동 방지 장치 (9) (국가별 사양 3 601 M30 5C2) | 누름 버튼 (48) 을 함께 누른 후 홀더 (74) 의 구멍에 끼워지게 하십시오 |
| O2 | "보조 평행 조절자" 고정 세트 (44) | 홀더 (72) 에 고정시키십시오 |
| O2 | 공구 연동 어댑터 (33) | 고정 클립 (73) 에 끼우십시오 |
| O3 | 링 스페너 (23) | 공구함에 있는 고정 너트 (75) 를 이용해 고정시키십시오 |
| O3 | 푸시 스틱 (24) | 고정 너트 (75) 를 통해 견후 밀어서 고정시키십시오 |
| O4 | 평행 조절자 (10) | 돌려서 아래서부터 가이드 레일에 걸고 고정 레버 (41) 로 고정시키십시오 |
| O5 | 육각키 (22) 육각키 (21) | 홀더 (76) 에 끼우십시오 |
| O5 | 각도 스톱퍼 (3) | 고정 클립 (77) 에 끼우십시오 |
| O5 | 보조 평행 조절자 (43) | 고정 클립 (31) 에 끼우십시오(짧은 쪽이 위쪽을 향하고, 긴 쪽이 뒤쪽을 향하게) |

전동공구 운반하기

전동공구를 운반하기 전에 다음의 조치를 취해야 합니다:

- 전동공구를 운반할 때의 위치로 놓습니다.
- 전동공구에 고정되어 있지 않은 모든 액세서리 부품을 제거하십시오.
- 사용하지 않는 톱날들은 운반할 때 가능하면 케이스에 넣어 잠가 두십시오.
- 톱 테이블 연장장치 (14) 를 완전히 안쪽으로 밀어넣고, 고정 레버 (16) 를 아래로 밀어 고정하십시오.
- 전원 케이블을 케이블 홀더 (30) 에 감으십시오.
- 공구를 들거나 옮길 때는 운반용 손잡이 (13) 를 사용하십시오.

▶ 전동공구를 운반할 때는 운반용 장치만 사용해야 하며, 어떠한 경우에도 보호 장치를 사용하지 마십시오.

보수 정비 및 서비스

보수 정비 및 유지

- ▶ 전동공구를 보수 정비하기 전에 반드시 콘센트에서 전원 플러그를 빼십시오.
- ▶ 안전하고 올바른 작동을 위하여 전동공구와 전동공구의 통풍구를 항상 깨끗이 하십시오.

연결 코드를 교환해야 할 경우 안전을 기하기 위해 **Bosch** 또는 **Bosch** 지정 전동공구 서비스 센터에 맡겨야 합니다.

세탁

매번 작업을 마치고 나서 분진과 톱밥을 압력 공기로 불어 내거나 브러시를 사용하여 제거하십시오.

전동공구의 윤활



윤활제:

- 모터 오일 SAE 10/SAE 20
- 필요에 따라 전동공구의 다음 부위에 오일을 바르십시오(그림 P 참조).

보수 공인 서비스 센터에서 작업을 올바르게 신속하게 처리합니다.

- ▶ 윤활제 및 세척제는 환경 친화적인 방법으로 폐기하십시오. 해당 법 규정에 유의하십시오.

소음 감소 조치

제조사의 조치:

- 소프트 스타트 기능
 - 소음 감소용으로 특수 개발된 톱날과 함께 공급
- 작업자의 조치:
- 안정된 작업면에 진동이 적게 조립
 - 소음 감소 기능이 있는 톱날 사용
 - 톱날과 전동공구의 정기적인 교체

액세서리

| | 제품 번호 |
|--------------------------|------------|
| 먼지 백 | 2610015511 |
| 공구 연동 어댑터 | 2610015509 |
| Y-어댑터 TSVH 3 | 2610015513 |
| 각도 스톱퍼 | 2610015507 |
| 푸시 스틱 | 2610015022 |
| 절단기 스탠드 GTA 600 | 0601B22001 |
| 목재, 판 소재 및 패널용 톱날 | |
| 톱날 254 x 25.4 mm, 40개 톱 | 2608640901 |
| 니 | |
| 톱날 254 x 25.4 mm, 60개 톱 | 2608640902 |
| 니 | |

AS 센터 및 사용 문의

AS 센터에서는 귀하 제품의 수리 및 보수정비, 그리고 부품에 관한 문의를 받고 있습니다. 대체 부품에 관한 분해 조립도 및 정보는 인터넷에서도 찾아 볼 수 있습니다. www.bosch-pt.com
보수 사용 문의 팀에서는 보수의 제품 및 해당 액세서리에 관한 질문에 기꺼이 답변 드릴 것입니다.

문의나 대체 부품 주문 시에는 반드시 제품 네임 플레이트에 있는 10자리의 부품번호를 알려 주십시오.

콜센터
080-955-0909

다른 AS 센터 주소는 아래 사이트에서 확인할 수 있습니다:

www.bosch-pt.com/serviceaddresses

처리

기기와 액세서리 및 포장 등은 환경 친화적인 방법으로 재활용 할 수 있도록 분류하십시오.



전동공구를 가정용 쓰레기로 처리하지 마십시오!

ไทย

คำเตือนเพื่อความปลอดภัย

คำเตือนเพื่อความปลอดภัยทั่วไปสำหรับเครื่องมือไฟฟ้า

คำเตือน อ่านคำเตือนเพื่อความปลอดภัย คำแนะนำ ภาพประกอบ และข้อมูล

จำเพาะทั้งหมดที่จัดส่งมาพร้อมกับเครื่องมือไฟฟ้า

การไม่ปฏิบัติตามคำแนะนำทั้งหมดที่ระบุไว้ด้านล่างนี้อาจทำให้เกิดไฟฟ้าดูด เกิดไฟไหม้ และ/หรือได้รับบาดเจ็บอย่างร้ายแรง

เก็บรักษาคำเตือนและคำสั่งทั้งหมดสำหรับเปิดอ่านในภายหลัง

คำว่า "เครื่องมือไฟฟ้า" ในคำเตือนหมายถึง เครื่องมือไฟฟ้าของท่านที่ทำงานด้วยพลังงานไฟฟ้าจากแหล่งจ่ายไฟหลัก (มีสายไฟฟ้า) และเครื่องมือไฟฟ้าที่ทำงานด้วยพลังงานไฟฟ้าจากแบตเตอรี่ (ไร้สาย)

ความปลอดภัยในสถานที่ทำงาน

- ▶ รักษาสถานที่ทำงานให้สะอาดและมีไฟส่องสว่างดี สถานที่ที่มีมืดหรืออครุงรังนำมาซึ่งอุบัติเหตุ
- ▶ อย่าใช้เครื่องมือไฟฟ้าทำงานในสภาพบรรยากาศที่จุดติดไฟได้ เช่น ในที่มีมีของเหลวไวไฟ ก๊าซ หรือฝุ่น เมื่อใช้เครื่องมือไฟฟ้าจะเกิดประกายไฟซึ่งอาจจุดฝุ่นหรือไอให้ลุกเป็นไฟได้

- ▶ **ขณะใช้เครื่องมือไฟฟ้าทำงาน ต้องกันเด็กและผู้ยืนดูให้ออกห่าง**
การหันเหความสนใจอาจทำให้ท่านขาดการควบคุมเครื่องไว้

ความปลอดภัยเกี่ยวกับไฟฟ้า

- ▶ **ปลั๊กของเครื่องมือไฟฟ้าต้องเหมาะสมพอดีกับเต้าเสียบ อย่าตัดแปลงปลั๊กไม่ว่าในลักษณะใดๆ อย่างเด็ดขาด อย่าใช้ปลั๊กพ่วงต่อใดๆ กับเครื่องมือไฟฟ้าที่มีสายดิน ปลั๊กที่ไม่ตัดแปลงและเต้าเสียบที่เข้ากันช่วยลดความเสี่ยงจากการถูกไฟฟ้าดูด**
- ▶ **หลีกเลี่ยงอย่าให้ร่างกายสัมผัสกับพื้นผิวที่ต่อสายดินหรือลงกราวด์ไว้ เช่น ท่อ เครื่องทำความร้อน เตา และตู้เย็น จะเสี่ยงอันตรายจากการถูกไฟฟ้าดูดมากขึ้นหากกระแสไฟฟ้าวิ่งผ่านร่างกายของท่านลงดิน**
- ▶ **อย่าให้เครื่องมือไฟฟ้าถูกฝนหรืออยู่ในสภาพเปียกชื้น หากน้ำเข้าในเครื่องมือไฟฟ้า จะเพิ่มความเสี่ยงจากการถูกไฟฟ้าดูด**
- ▶ **อย่าใช้สายไฟฟ้าในทางที่ผิด อย่าใช้สายไฟฟ้าเพื่อยก ดึง หรือถอดปลั๊กเครื่องมือไฟฟ้า กับสายไฟฟ้าออกจากความร้อน น้ำมัน ขอบแหลมคม หรือชิ้นส่วนที่เคลื่อนที่ สายไฟฟ้าที่ชำรุดหรือพันกันยุ่งเพิ่มความเสี่ยงจากการถูกไฟฟ้าดูด**
- ▶ **เมื่อใช้เครื่องมือไฟฟ้าทำงานกลางแจ้ง ให้ใช้สายไฟต่อที่เหมาะสมสำหรับงานกลางแจ้ง การใช้สายไฟต่อที่เหมาะสมสำหรับงานกลางแจ้ง ช่วยลดอันตรายจากการถูกไฟฟ้าดูด**
- ▶ **หากไม่สามารถหลีกเลี่ยงการใช้เครื่องมือไฟฟ้าทำงานในสถานที่เปียกชื้นได้ ให้ใช้สวิตช์ตัดวงจรเมื่อเกิดการรั่วไหลของไฟฟ้าจากสายดิน (RCD) การใช้สวิตช์ตัดวงจรเมื่อเกิดการรั่วไหลของไฟฟ้าจากสายดินช่วยลดความเสี่ยงต่อการถูกไฟฟ้าดูด**

ความปลอดภัยของบุคคล

- ▶ **ท่านต้องอยู่ในสภาพเตรียมพร้อม ระมัดระวังในสิ่งที่ท่านกำลังทำอยู่ และมีสติขณะใช้เครื่องมือไฟฟ้าทำงาน อย่าใช้เครื่องมือไฟฟ้าขณะที่ท่านกำลังเหนื่อย หรืออยู่ภายใต้การครอบงำของฤทธิ์ของยาเสพติด แอลกอฮอล์ และยา เมื่อใช้เครื่องมือไฟฟ้าทำงานในช่วงเวลาที่ท่านขาดความเอาใจใส่อาจทำให้บุคคลบาดเจ็บอย่างรุนแรงได้**
- ▶ **ใช้อุปกรณ์ปกป้องร่างกาย สวมแว่นตาป้องกันเสมอ อุปกรณ์ปกป้อง เช่น หน้ากากกันฝุ่น รองเท้ากันลื่น หมวกแข็ง หรือประบกหูกันเสียงดังที่ใช่ตามความเหมาะสมกับสภาพการทำงาน จะลดการบาดเจ็บทางร่างกาย**

- ▶ **ป้องกันการติดเครื่องโดยไม่ตั้งใจ ตรวจสอบให้แน่ใจว่าสวิตช์อยู่ในตำแหน่งปิดก่อนเชื่อมต่อเข้ากับแหล่งจ่ายไฟ และ/หรือแบตเตอรี่แพ็ค ยกหรือถือเครื่องมือถือเครื่องโดยใช้นิ้วหัวที่สวิตช์ หรือเสียบปลั๊กไฟฟ้าขณะสวิตช์เปิดอยู่ อาจนำไปสู่อุบัติเหตุที่ร้ายแรงได้**
- ▶ **นำเครื่องมือปรับแต่งหรือประแจปากตายออกก่อนเปิดสวิตช์เครื่องมือไฟฟ้า เครื่องมือหรือประแจปากตายที่วางอยู่กับส่วนของเครื่องที่กำลังหมุนจะทำให้บุคคลบาดเจ็บได้**
- ▶ **อย่าเอื้อมไกลเกินไป ตั้งทำขึ้นที่มั่นคงและวางน้ำหนักให้สมดุลตลอดเวลา ในลักษณะนี้ท่านสามารถควบคุมเครื่องมือไฟฟ้าในสถานการณ์ที่ไม่คาดคิดได้ดีกว่า**
- ▶ **แต่งกายอย่างเหมาะสม อย่าใส่เสื้อผ้าหลวมหรือสวมเครื่องประดับ เอาผมและเสื้อผ้าออกจากชิ้นส่วนที่เคลื่อนที่ เสื้อผ้าหลวม เครื่องประดับ และผม ยาวอาจเข้าไปติดในชิ้นส่วนที่เคลื่อนที่**
- ▶ **หากเครื่องมือไฟฟ้ามีข้อเชื่อมต่อกับเครื่องดูดฝุ่นหรือเครื่องเก็บผง ให้ตรวจสอบให้แน่ใจว่าได้เชื่อมต่อและใช้งานอย่างถูกต้อง การใช้อุปกรณ์ดูดฝุ่นช่วยลดอันตรายที่เกิดจากฝุ่นได้**
- ▶ **เมื่อใช้งานเครื่องบ่อยครั้งจะเกิดความคุ้นเคย อย่านำความคุ้นเคยทำให้ท่านเกิดความชะล่าใจและละเลยกฎเกณฑ์ด้านความปลอดภัยในการใช้งานเครื่อง การทำงานอย่างไม่ระมัดระวังอาจทำให้เกิดการบาดเจ็บอย่างร้ายแรงภายในเสี้ยววินาที**

การใช้และการดูแลรักษาเครื่องมือไฟฟ้า

- ▶ **อย่าฝืนกำลังเครื่องมือไฟฟ้า ใช้เครื่องมือไฟฟ้าที่ถูกต้องตรงตามลักษณะงานของท่าน เครื่องมือไฟฟ้าที่ถูกต้องจะทำงานได้ดีกว่าและปลอดภัยกว่าในระดับสมรรถภาพที่ออกแบบไว้**
- ▶ **อย่าใช้เครื่องมือไฟฟ้าถ้าสวิตช์ไม่สามารถเปิดปิดได้ เครื่องมือไฟฟ้าที่ไม่สามารถควบคุมการเปิดปิดด้วยสวิตช์ได้ เป็นเครื่องมือไฟฟ้าที่ไม่ปลอดภัยและต้องส่งซ่อมแซม**
- ▶ **ก่อนปรับแต่งเครื่อง เปลี่ยนอุปกรณ์ประกอบ หรือเก็บเครื่องเข้าที่ ต้องถอดปลั๊กออกจากแหล่งจ่ายไฟ และ/หรือถอดแบตเตอรี่แพ็คออกจากเครื่องมือไฟฟ้าหากถอดออกได้**
มาตรฐานป้องกันเพื่อความปลอดภัยนี้ช่วยลดความเสี่ยงจากการติดเครื่องโดยไม่ตั้งใจ
- ▶ **เมื่อเลิกใช้งานเครื่องมือไฟฟ้า ให้เก็บเครื่องไว้ในที่ที่เด็กหยิบไม่ถึง และไม่อนุญาตให้บุคคลที่ไม่คุ้นเคยกับเครื่องมือไฟฟ้าเป็นของอันตรายหากตกอยู่ในมือของผู้ใช้ที่ไม่ได้รับการฝึกฝน**

- ▶ บำรุงรักษาเครื่องมือไฟฟ้าและอุปกรณ์ประกอบ ตรวจสอบชิ้นส่วนที่เคลื่อนที่ว่าว่าง ไม่ตรงแนวหรือติดขัดหรือไม่ ตรวจสอบการแตกหักของชิ้นส่วนและสภาพอื่นใดที่อาจมีผลต่อการทำงานของเครื่องมือไฟฟ้า หากชำรุดต้องส่งเครื่องมือไฟฟ้าไปซ่อมแซมก่อนใช้งาน อุบัติเหตุหลายอย่างเกิดขึ้นเนื่องจากดูแลรักษาเครื่องมือไม่ดีพอ
- ▶ รักษาเครื่องมือตัด ให้คมและสะอาด หากบำรุงรักษาเครื่องมือที่มีขอบตัดแหลมคมอย่างถูกต้อง จะสามารถตัดได้ลื่นไม่ติดขัดและควบคุมได้ง่ายกว่า
- ▶ ใช้เครื่องมือไฟฟ้า อุปกรณ์ประกอบ เครื่องมือ และอุปกรณ์อื่น ๆ ตรงตามคำแนะนำเหล่านี้ โดยคำนึงถึงเงื่อนไขการทำงานและงานที่จะทำ การใช้เครื่องมือไฟฟ้าทำงานที่ต่างไปจากวัตถุประสงค์การใช้งานของเครื่อง อาจนำไปสู่สถานการณ์ที่เป็นอันตรายได้
- ▶ ดูแลตามจับและพื้นผิวจับให้แห้ง สะอาด และปราศจากคราบน้ำมันและจาระบี ตามจับและพื้นผิวจับที่ลื่นทำให้หยิบจับได้ไม่ปลอดภัย และไม่สามารถควบคุมเครื่องมือในสถานการณ์ที่ไม่คาดคิด

การบริการ

- ▶ ส่งเครื่องมือไฟฟ้าของท่านเข้ารับบริการจากช่างซ่อมที่มีคุณสมบัติเหมาะสม โดยใช้อะไหล่ที่เหมือนกันเท่านั้น ในลักษณะนี้ท่านจะแน่ใจได้ว่าเครื่องมือไฟฟ้าอยู่ในสภาพที่ปลอดภัย


คำเตือนเพื่อความปลอดภัยสำหรับเลื่อยตั้งโต๊ะ

คำเตือนเกี่ยวกับการป้องกัน

- ▶ กระจับป้องกันต้องล็อคเข้าที่ กระจับป้องกันต้องอยู่ในสภาพใช้งานได้และติดตั้งอย่างถูกต้อง ต้องซ่อมแซมหรือเปลี่ยนกระจับป้องกันที่หลวม หัก หรือทำงานไม่ถูกต้อง
- ▶ ใช้กระจับป้องกันใบเลื่อย ลิมแยก และอุปกรณ์ป้องกันการตีกลับทุกครั้งที่ทำารตัดผ่านชิ้นงานทั้งชิ้น สำหรับการตัดผ่านชิ้นงานทั้งชิ้นที่ใบเลื่อยตัดผ่านความหนาของชิ้นงานทั้งหมด กระจับป้องกันและอุปกรณ์ความปลอดภัยอื่นๆ จะช่วยลดความเสี่ยงต่อการบาดเจ็บ
- ▶ ติดตั้งระบบการป้องกันกลับเข้าที่ทันทีหลังเสร็จสิ้นการทำงาน (เช่น การบาก การตัดร่อง (dado) หรือการทำไม้เข้าเป็นแผ่นบางๆ) ซึ่งจำเป็นต้องถอดกระจับป้องกัน ลิมแยก และ/หรืออุปกรณ์ป้องกันการตีกลับออก กระจับป้องกัน ลิมแยก และอุปกรณ์ป้องกันการตีกลับช่วยลดความเสี่ยงต่อการบาดเจ็บ
- ▶ ตรวจสอบให้แน่ใจว่าใบเลื่อยจะไม่สัมผัสกระจับป้องกัน ลิมแยก หรือชิ้นงานก่อนเปิดสวิตช์ หากใบเลื่อยสัมผัสสิ่งเหล่านี้โดยไม่ตั้งใจ อาจทำให้เกิดสภาพที่เป็นอันตรายได้

- ▶ ปรับตั้งลิมแยกตามข้ออธิบายไว้ในคู่มือการใช้งานนี้ การเว้นระยะห่าง ตำแหน่ง และการวางแนวที่ไม่ถูกต้องอาจทำให้ลิมแยกไม่สามารถลดโอกาสที่จะเกิดการตีกลับ
- ▶ เพื่อให้ลิมแยกและอุปกรณ์ป้องกันการตีกลับทำงาน ลิมแยกและอุปกรณ์ป้องกันการตีกลับจะทำงานไม่ได้ผล เมื่อตัดชิ้นงานที่มีขนาดลึกลงกว่าที่จะชนเข้ากับลิมแยก และอุปกรณ์ป้องกันการตีกลับ ภายใต้อันตรายนี่ลิมแยกและอุปกรณ์ป้องกันการตีกลับจะไม่สามารถป้องกันการเกิดการตีกลับ
- ▶ ใช้ใบเลื่อยที่เหมาะสมสำหรับลิมแยก เพื่อให้ลิมแยกทำงานได้อย่างถูกต้อง เส้นผ่านศูนย์กลางของใบเลื่อยต้องเข้ากันกับลิมแยกที่เหมาะสม และตัวใบเลื่อยต้องยาวกว่าความหนาของลิมแยก และความกว้างการตัดของใบเลื่อยต้องมากกว่าความหนาของลิมแยก

คำเตือนเกี่ยวกับขั้นตอนการตัด

- ▶  **อันตราย:** อย่าให้นิ้วหรือมือของท่านเข้าใกล้หรืออยู่ในแนวเดียวกับใบเลื่อยอย่างเด็ดขาด ในช่วงเวลาที่ขาดความเอาใจใส่หรือการสั่นไหวอาจจุดมือของท่านเข้าหาใบเลื่อย และอาจทำให้ได้รับบาดเจ็บสาหัสได้
- ▶ บ่อนชิ้นงานเข้าหาใบเลื่อยตรงข้ามกับทิศทางการหมุนเท่านั้น การบ่อนชิ้นงานไปในทิศทางเดียวกับที่ใบเลื่อยหมุนเหนือโต๊ะอาจส่งผลให้ชิ้นงานและมือของท่านถูกดูดเข้าไปในใบเลื่อย
- ▶ อย่าใช้เกจวัดมุมในแนวระนาบ (mitre gauge) เพื่อบ่อนชิ้นงานเมื่อตัดขอบ (ripping) อย่างเด็ดขาด และอย่าใช้รั้วขอบ (rip fence) เป็นตัวหยุดความยาวเมื่อตัดขวางเส้น (cross cutting) ด้วยเกจวัดมุมในแนวระนาบ การใช้รั้วขอบและเกจวัดมุมในแนวระนาบในเวลาเดียวกันเพื่อเคลื่อนนำชิ้นงานจะเพิ่มโอกาสให้ใบเลื่อยติดขัดและเกิดการตีกลับ
- ▶ เมื่อตัดขอบ ให้ใช้แรงบ่อนชิ้นงานระหว่างรั้วกับใบเลื่อยเสมอ ใช้ไม้ดันเมื่อระยะห่างระหว่างรั้วและใบเลื่อยน้อยกว่า 150 มม. และใช้บล็อกดันเมื่อระยะห่างนี้มากกว่า 50 มม. อุปกรณ์ "ช่วยทำงาน" จะทำให้มือของท่านอยู่ห่างจากใบเลื่อยในระยะปลอดภัย
- ▶ ใช้เฉพาะ ไม้ดันจากบริษัทผู้ผลิตหรือที่สร้างขึ้นตามคำแนะนำเท่านั้น ไม้ดันนี้ช่วยให้อุปกรณ์ห่างจากใบเลื่อยอย่างเพียงพอ
- ▶ อย่าใช้ไม้ดันที่ชำรุดหรือถูกตัดอย่างเด็ดขาด ไม้ดันที่ชำรุดอาจแตกหักและทำให้มือของท่านสั่นไหวเข้าไปในใบเลื่อยได้

- ▶ **อย่าใช้ “มือเปล่า” ทำงานใดๆ ให้ใช้รั้วขอยหรือเกว้ดคุมในแนวระนาบเพื่อจัดตำแหน่งและเคลื่อนนำชิ้นงานเสมอ** “มือเปล่า” หมายถึงการใช้มือของท่านเพื่อหมุนหรือเคลื่อนนำชิ้นงานแทนรั้วขอยหรือเกว้ดคุมในแนวระนาบ การเลื่อยด้วยมือเปล่าจะทำให้ไม่ตรงแนว ติดขัด และเกิดการตีกลับ
- ▶ **อย่าเอื้อมมือไปรอบๆ หรือเหนือใบเลื่อยที่กำลังหมุนอย่างเด็ดขาด** การเข้าถึงชิ้นงานอาจทำให้สัมผัสใบเลื่อยที่กำลังเคลื่อนที่โดยไม่ตั้งใจ
- ▶ **สำหรับชิ้นงานที่ยาวและ/หรือกว้าง ให้หนุนเสริมชิ้นงานตรงด้านหลังและ/หรือด้านข้างของโต๊ะเลื่อยเพื่อให้ชิ้นงานไต่ระดับ** ชิ้นงานที่ยาวและ/หรือกว้างมักจะหมุนบนขอบโต๊ะ ทำให้สูญเสียการควบคุม ใบเลื่อยติดขัด และเกิดการตีกลับ
- ▶ **ป้อนชิ้นงานด้วยความเร็วสม่ำเสมอ อย่าโค้งงอหรือบิดชิ้นงาน** หากเกิดการติดขัด ให้ปิดสวิทช์เครื่องทันที ถอดปลั๊กไฟฟ้า จากนั้นจึงแก้ไขปัญหาการติดขัด หากชิ้นงานทำให้ใบเลื่อยติดขัด อาจเกิดการตีกลับหรือมอเตอร์หยุดกลางคัน
- ▶ **อย่าโยกย้ายชิ้นวัสดุที่ตัดออกในขณะที่เครื่องเลื่อยกำลังทำงาน** วัสดุอาจติดอยู่ระหว่างรั้วหรือภายในกระบ้งป้องกันใบเลื่อย และใบเลื่อยอาจจุดนิ้วของท่านเข้าไปในใบเลื่อย ปิดสวิทช์เครื่องเลื่อยและรอให้ใบเลื่อยหยุดนิ่งก่อนนำวัสดุออกมา
- ▶ **ใช้รั้วเสริมวางชิดด้านบนโต๊ะเมื่อตัดขอยชิ้นงานที่มีความหนาน้อยกว่า 2 มม.** ชิ้นงานบางๆ อาจแทรกติดอยู่ใต้รั้วตัดขอยและทำให้เกิดการตีกลับ

การตีกลับและคำเตือนเกี่ยวข้อง

การตีกลับคือแรงสะท้อนกะทันหันของชิ้นงานเนื่องจากใบเลื่อยถูกบีบอัด ติดขัด หรือเสียดในชิ้นงานไม่ตรงแนวเดียวกันกับใบเลื่อย หรือเมื่อส่วนหนึ่งของชิ้นงานติดแน่นอยู่ระหว่างใบเลื่อยและรั้วตัดขอย หรือวัตถุอื่น ๆ บ่อยที่สุดในระหว่างการตีกลับคือชิ้นงานจะถูกยกขึ้นจากโต๊ะโดยส่วนท้ายของใบเลื่อย และถูกดันไปยังผู้ใช้เครื่อง การตีกลับเป็นผลจากการใช้เครื่องเลื่อยผิดวัตถุประสงค์ และ/หรือมีสภาพหรือขั้นตอนการทำงานที่ไม่ถูกต้อง และไม่สามารถหลีกเลี่ยงได้โดยเตรียมตัวป้องกันไว้ก่อนอย่างถูกต้องต่อไปนี้

- ▶ **อย่ายืนในแนวเดียวกับกับใบเลื่อยโดยตรงอย่างเด็ดขาด** ให้วางตำแหน่งของลำตัวของท่านไว้ด้านเดียวกับกับใบเลื่อยและรั้วเสมอ การตีกลับอาจดันชิ้นงานอย่างรวดเร็วไปยังทุกๆ คนที่ยืนอยู่ตรงหน้าและอยู่ในแนวเดียวกับกับใบเลื่อย

- ▶ **อย่าเอื้อมมือไปรอบๆ หรือเข้าด้านหลังของใบเลื่อยเพื่อดึงหรือหมุนชิ้นงานอย่างเด็ดขาด** การสัมผัสใบเลื่อยโดยไม่ตั้งใจอาจเกิดขึ้นได้ หรือการตีกลับอาจจุดนิ้วของท่านเข้าไปในใบเลื่อย
- ▶ **อย่าจับและกดชิ้นงานที่ถูกตัดออกเข้าหาใบเลื่อยที่กำลังหมุนอย่างเด็ดขาด** การกดชิ้นงานที่ถูกตัดออกเข้าหาใบเลื่อยจะทำให้เกิดการติดขัดและการตีกลับ
- ▶ **จัดแนวรั้วให้ขนานกับใบเลื่อย** รั้วที่ไม่ตรงแนวจะบีบอัดชิ้นงานเข้ากับใบเลื่อยและทำให้เกิดการตีกลับ
- ▶ **ใช้หวีดกันชิ้นงาน (featherboard) เพื่อนำชิ้นงานเข้าหาโต๊ะและรั้วเมื่อไม่ตัดผ่านชิ้นงานทั้งชิ้น** เช่น การตัดฉาก การตัดร่อง (dado) หรือการผ่าไม้เข้าเป็นแผ่นบาง หวีดกันชิ้นงานช่วยควบคุมชิ้นส่วนในกรณีที่เกิดการตีกลับ
- ▶ **หนุนแผ่นกระดานที่มีขนาดใหญ่เพื่อลดความเสี่ยงที่ใบเลื่อยจะถูกบีบอัดและตีกลับ** แผ่นชิ้นงานที่มีขนาดใหญ่มักจะห้อยตามความกว้างน้ำหนักของตัวแผ่นเอง ต้องวางตัวหนุนไว้ใต้ทุกส่วนของแผ่นกระดานที่ยื่นออกมาจากด้านบนโต๊ะ
- ▶ **ใช้ความระมัดระวังเป็นพิเศษเมื่อตัดชิ้นงานที่มีดงเป็นตะปุ่มตะป่ำ โกงผิดรูป หรือไม่มีขอบตรงที่จะนำชิ้นงานไปตามเกว้ดคุมในแนวระนาบหรือตามแนวรั้วได้** ชิ้นส่วนที่ผิดรูป เป็นตะปุ่มตะป่ำ หรือบิดงอจะคลอนแคลนและทำให้รอยตัดไม่ตรงแนวกับใบเลื่อย ติดขัด และเกิดการตีกลับ
- ▶ **อย่าตัดชิ้นงานมากกว่าหนึ่งชิ้นโดยเรียงซ้อนกันในแนวตั้งหรือแนวนอนอย่างเด็ดขาด** ใบเลื่อยอาจกดชิ้นงานหนึ่งชิ้นหรือมากกว่าขึ้นมา และทำให้เกิดการตีกลับ
- ▶ **เมื่อสตาร์ทเครื่องเลื่อยอีกครั้งโดยมีใบเลื่อยอยู่ในชิ้นงาน ให้วางใบเลื่อยไว้ตรงกลางในร่องตัดในลักษณะที่ฟันเลื่อยไม่ชนเข้าในวัสดุ** หากใบเลื่อยติดขัด ใบเลื่อยอาจยกชิ้นงานขึ้น และทำให้เกิดการตีกลับเมื่อเครื่องเลื่อยสตาร์ทอีกครั้ง
- ▶ **รักษาใบเลื่อยให้สะอาด คม และมีการปรับตั้งอย่างเพียงพอ** อย่าใช้ใบเลื่อยที่โค้งผิดรูป หรือใบเลื่อยที่ฟันแตกหรือหักอย่างเด็ดขาด ใบเลื่อยที่คมและได้รับการปรับตั้งอย่างถูกต้องช่วยลดการตีกลับ การสะดุดตัม และการตีกลับ

คำเตือนเกี่ยวกับขั้นตอนการทำงานของเลื่อยตั้งโต๊ะ

- ▶ **ปิดสวิทช์เลื่อยตั้งโต๊ะและถอดสายไฟฟ้าออกเมื่อนำแผ่นบิตของใบเลื่อยออก เปลี่ยนใบเลื่อย หรือทำการปรับลิ้มแยก อุปกรณ์ป้องกันการตีกลับ หรือกระบังป้องกันใบเลื่อย และเมื่อปล่อยเครื่องทิ้งไว้โดยไม่ดูแล** มาตรการป้องกันล่วงหน้าจะหลีกเลี่ยงอุบัติเหตุ

- ▶ อย่าปล่อยให้เลื่อยตั้งโต๊ะทำงานโดยไม่ดูแลอย่างเด็ดขาด ให้ปิดสวิทช์เครื่อง และอย่าเดินออกจากเครื่องจนกว่าเครื่องจะหยุดนิ่งอยู่กับที่ เครื่องเลื่อยที่ทำงานโดยไม่ดูแลคืออันตรายที่ไม่สามารถควบคุมได้
- ▶ วางเลื่อยตั้งโต๊ะในบริเวณที่มีแสงไฟสว่างและพื้นที่ราบเรียบที่ท่านสามารถยืนอย่างมั่นคงและสมดุล ควรติดตั้งเครื่องในพื้นที่ที่มีช่องว่างเพียงพอที่จะจัดการกับขนาดของชิ้นงานของท่านได้อย่างง่ายดาย บริเวณที่คับแคบและมืด และพื้นที่ลื่นและขรุขระนำมาซึ่งอุบัติเหตุ
- ▶ ทำความสะอาดและเอาขี้เลื่อยออกจากโต๊ะเลื่อยและ/หรืออุปกรณ์เก็บฝุ่นบ่อยๆ ขี้เลื่อยที่สะสมสามารถติดไฟได้และอาจลุกไหม้เองได้
- ▶ ต้องยึดเลื่อยตั้งโต๊ะไว้อย่างแน่นหนา เลื่อยตั้งโต๊ะที่ไม่ยึดไว้อย่างถูกต้องอาจเลื่อนหรือพลิกคว่ำ
- ▶ เอาเครื่องมือ เศษไม้ ฯลฯ ออกจากโต๊ะก่อนเปิดสวิทช์เลื่อยตั้งโต๊ะ สิ่งที่ทำให้เสียสมาธิหรือการติดขัดที่อาจเกิดขึ้นอาจเป็นอันตราย
- ▶ ใช้ใบเลื่อยที่มีขนาดและรูปทรงรูขี้ดที่ถูกต้องเสมอ (สีเหลี่ยมขนแป้นหรือกลม) ใบเลื่อยที่ไม่เข้าชุดกับอุปกรณ์ติดตั้งของเครื่องเลื่อยจะวิ่งไม่อยู่กึ่งกลางและทำให้สูญเสียการควบคุม
- ▶ อย่าใช้อุปกรณ์ติดตั้งใบเลื่อยที่ชำรุดหรือไม่ถูกต้อง เช่น หนาแปลก ใบเลื่อย แหวนรอง โบลท์ หรือนอตอย่างเด็ดขาด อุปกรณ์ติดตั้งเหล่านี้ถูกออกแบบเป็นพิเศษสำหรับเครื่องเลื่อยของท่าน เพื่อทำงานให้ได้อย่างมีประสิทธิภาพสูงสุดและเพื่อความปลอดภัยในการทำงาน
- ▶ อย่ายืนบนเลื่อยตั้งโต๊ะอย่างเด็ดขาด อย่าใช้เลื่อยตั้งโต๊ะเป็นเก้าอี้บันได หากเครื่องล้มคว่ำหรือหากสัมผัสเครื่องมือตัดโดยไม่ตั้งใจ อาจทำให้ได้รับบาดเจ็บสาหัสได้
- ▶ ตรวจสอบให้แน่ใจว่าได้ติดตั้งใบเลื่อยโดยให้หมุนไปในทิศทางที่ถูกต้อง อย่าใช้ล่อเจียร์ใน แปรงลาวด หรือล่อขั้ดบนเลื่อยตั้งโต๊ะ การติดตั้งใบเลื่อยอย่างไม่ถูกต้องหรือการใช้อุปกรณ์ประกอบที่ไม่ได้แนะนำ อาจทำให้ได้รับบาดเจ็บสาหัสได้

คำแนะนำเพื่อความปลอดภัยเพิ่มเติม

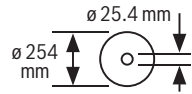
- ▶ สวมถุงมือป้องกันอันตรายเมื่อติดตั้งใบเลื่อย อันตรายจากการบาดเจ็บ
- ▶ อย่าใช้ใบเลื่อยที่มาจากเหล็กกล้ารอบสูง (High Speed Steel, HSS) ใบเลื่อยนี้แตกง่าย
- ▶ อย่าใช้เครื่องมือไฟฟ้าโดยไม่ใส่แผ่นแทรกโต๊ะ เปลี่ยนแผ่นแทรกโต๊ะที่ชำรุด หากไม่ใช้แผ่นแทรกโต๊ะที่มีสภาพสมบูรณ์แบบ ท่านอาจได้รับบาดเจ็บจากใบเลื่อย

- ▶ รักษาสถานที่ทำงานให้สะอาด การผสมผสานของวัสดุเป็นอันตรายอย่างยิ่งฝุ่นละอองโลหะอาจเผาไหม้หรือระเบิดได้
- ▶ เลือกใบเลื่อยที่เหมาะสมสำหรับวัสดุที่ท่านต้องการตัด
- ▶ ใช้เฉพาะใบเลื่อยที่ตรงตามข้อกำหนดที่ระบุไว้ในคู่มือการใช้งานนี้และบนเครื่องมือไฟฟ้า และโคหนานการทดสอบตามมาตรฐาน EN 847-1 และทำเครื่องหมายไว้เท่านั้น
- ▶ ใช้เฉพาะใบเลื่อยที่บริษัทผู้ผลิตเครื่องมือแนะนำให้ใช้และต้องเป็นใบเลื่อยที่เหมาะสมสำหรับเลื่อยวัสดุที่ต้องการตัด
- ▶ นำชิ้นงานเข้าหาใบเลื่อยที่กำลังวิ่งอยู่เท่านั้น มิฉะนั้นจะเกิดอันตรายจากการตีกลับเมื่อใบเลื่อยเกิดติดขัดอยู่ในชิ้นงาน

สัญลักษณ์

สัญลักษณ์ต่อไปนี้มีมีความสำคัญต่อการใช้เครื่องมือไฟฟ้าของท่าน กรุณาจดจำสัญลักษณ์และความหมาย การแปลความสัญลักษณ์ได้ถูกต้องจะช่วยให้ท่านใช้เครื่องมือไฟฟ้าได้ดีและปลอดภัยกว่า

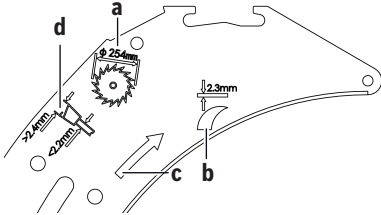
| สัญลักษณ์และความหมายของสัญลักษณ์ | |
|---|--|
|  | เอามือออกจากบริเวณตัดขณะเครื่องกำลังวิ่ง อันตรายจากการบาดเจ็บเมื่อไปสัมผัสกับใบเลื่อย |
|  | สวมหน้ากากป้องกันฝุ่น |
|  | สวมอุปกรณ์ป้องกันเสียง การรับฟังเสียงดังอาจทำให้สูญเสียการได้ยิน |
|  | สวมแว่นตาป้องกันอันตราย |



สังเกตขนาดของใบเลื่อย เส้นผ่าศูนย์กลางวิ่งต้องเข้ากับความหนาเครื่องมือโดยไม่มีช่องหลวม หากจำเป็นต้องใช้ตัวลดขนาดให้ตรวจสอบให้แน่ใจว่าขนาดของตัวลดนั้นตรงกับความต้องการ

สัญลักษณ์และความหมายของสัญลักษณ์

ใบ และเส้นผ่าศูนย์กลางรูของใบเลื่อย รวมทั้งเส้นผ่าศูนย์กลางของแกนเครื่องมือ หากเป็นไปไม่ได้ให้ใช้ตัวเลขขนาดที่จัดลงมาพร้อมกับใบเลื่อย เส้นผ่าศูนย์กลางใบเลื่อยต้องสอดคล้องกับข้อมูลบนสัญลักษณ์

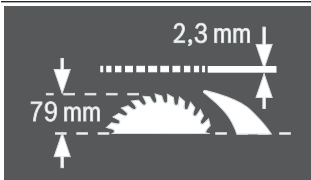


ก ใบเลื่อยจะต้องมีขนาดเส้นผ่าศูนย์กลางไม่เกิน 254 มม.

ข ความหนาของลิ้มแยกคือ 2.3 มม.

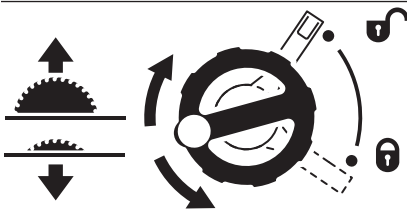
ค ทิศทางการตัดของฟัน (ทิศทางของลูกศรบนใบเลื่อย) ต้องตรงกับทิศทางของลูกศรบนลิ้มแยก

ง เมื่อเปลี่ยนใบเลื่อย ต้องตรวจสอบให้แน่ใจว่ามีความกว้างการตัดไม่น้อยกว่า 2.4 และความหนาของใบเลื่อยไม่เกิน 2.2 มม. มิฉะนั้นอาจมีความเสี่ยงที่ลิ้มแยกจะติดขัดอยู่ในชิ้นงาน



ความหนาของลิ้มแยกคือ 2.3 มม.

ความสูงชิ้นงานที่เป็นไปได้สูงสุดคือ 79 มม.



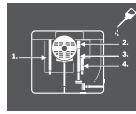
ด้านซ้าย:

แสดงทิศทางการหมุนของข้อเหวี่ยงเพื่อลดใบเลื่อย (ตำแหน่งขนซ้าย) และยกใบเลื่อย (ตำแหน่งทำงาน)

ด้านขวา:

แสดงตำแหน่งของคันล็อกเพื่อล็อกใบเลื่อยและเมื่อปรับมุมเอียงในแนวตั้ง (ใบเลื่อยเอียงได้)

สัญลักษณ์และความหมายของสัญลักษณ์



ห่อสินค้าเครื่องมือนี้อาจมีความจำเป็นอย่างยิ่งตรงตำแหน่งที่ระบุ



เครื่องมือไฟฟ้าที่มีระดับความปลอดภัย II มีฉนวนสองชั้นหรือฉนวนเสริม



โดยฉลาก CE ผู้ผลิตยืนยันว่าเครื่องมือไฟฟ้าสอดคล้องกับกฎระเบียบ EU ที่บังคับใช้

รายละเอียดผลิตภัณฑ์และข้อมูล

จำเพาะ



อ่านคำเตือนเพื่อความปลอดภัยและคำแนะนำทั้งหมด การไม่ปฏิบัติตามคำเตือนและคำสั่งอาจเป็นสาเหตุให้ถูกไฟฟ้าดูด เกิดไฟไหม้ และ/หรือได้รับบาดเจ็บอย่างร้ายแรง

กรุณาคุณภาพประกอบในส่วนหน้าของคู่มือการใช้งาน

ประโยชน์การใช้งานของเครื่อง

เครื่องมือไฟฟ้านี้เป็นเครื่องประจำที่ ใช้สำหรับตัดเป็นแนวตรงทั้งตามยาวและตามขวางในไม้เนื้ออ่อนและไม้เนื้อแข็ง รวมทั้งพาร์ติเคิลบอร์ดและไฟเบอร์บอร์ด สามารถตัดมุมเอียงในแนวนอนจาก -60° ถึง $+60^\circ$ และมุมเอียงในแนวตั้งจาก -2° ถึง 47°

เมื่อใช้ใบเลื่อยที่เหมาะสมยังสามารถเลื่อยไปโฟลอะลูมิเนียมและวัสดุสังเคราะห์ได้อีกด้วย

ส่วนประกอบที่แสดงภาพ

ลำดับเลขของส่วนประกอบผลิตภัณฑ์อ้างอิงถึงส่วนประกอบของเครื่องที่แสดงในหน้าภาพประกอบ

- (1) ร่องนำสำหรับแผงกำหนดแนวขนาน
- (2) มาตราส่วนสำหรับระยะห่างใบเลื่อยไปยังแผงกำหนดแนวขนาน
- (3) ฉากหยุดมุม
- (4) ด้ามจับเว้า
- (5) ร่องนำสำหรับฉากหยุดมุม
- (6) กระจับป้องกัน
- (7) โตะเลื่อย
- (8) ลิ้มแยก
- (9) ตัวล็อกการตีกลับ^(A)
- (10) แผงกำหนดแนวขนาน

- (11) ตัวนำรูปตัว V บนโต๊ะเลื่อยสำหรับแผงกำหนดแนว
ขนาน
- (12) รูสำหรับติดตั้ง
- (13) ค้ำมือถือ
- (14) ล้วนขยายโต๊ะเลื่อย
- (15) คลิปยึดสำหรับโต๊ะเลื่อย GTA 600
- (16) ค้ำมือหนีบสำหรับส่วนขยายโต๊ะเลื่อย
- (17) คันล็อกสำหรับปรับมุมเอียงในแนวตั้ง
- (18) ล้อหมุนมือ
- (19) ข้อเหวี่ยงเพื่อลดหรือยกใบเลื่อย
- (20) บานพับเพื่อความปลอดภัยสำหรับสวิทช์เปิด-ปิด
- (21) ประแจขันหกเหลี่ยม (2 มม.)
- (22) ประแจขันหกเหลี่ยม (5 มม.)
- (23) ประแจแหวน (23 มม.)
- (24) ไม้ค้ำ
- (25) สกรูปรับสำหรับปรับแรงหนีบของแผงกำหนดแนว
ขนาน
- (26) แผ่นแทรกโต๊ะ
- (27) ใบเลื่อย
- (28) แวนขยาย
- (29) รางโปรไฟล์
- (30) ที่ม้วนเก็บสายไฟฟ้า
- (31) คลิปยึดสำหรับจัดเก็บแผงกำหนดแนวขนานเพิ่ม
- (32) ช่องพ่นซีคกับออก
- (33) ข้อต่อท่อดูดออก
- (34) ที่ยึดสำหรับจัดเก็บกระบะบั้งป้องกัน
- (35) คันหนีบสำหรับลิ้มแยก
- (36) สกรูหัวจมทกเหลี่ยมสำหรับลิ้มแยก^{A)}
- (37) หมุดตำแหน่งสำหรับลิ้มแยก
- (38) ช่องสำหรับแผ่นแทรกโต๊ะ
- (39) คันหนีบสำหรับกระบะบั้งป้องกัน
- (40) หมุดนำสำหรับกระบะบั้งป้องกัน
- (41) ค้ำมือหนีบของแผงกำหนดแนวขนาน
- (42) ตัวนำรูปตัว V ของแผงกำหนดแนวขนาน
- (43) แผงกำหนดแนวขนานเพิ่ม
- (44) ชุดยึด "แผงกำหนดแนวขนานเพิ่ม"
- (45) รางนำของฉากหยุดมุม
- (46) ชุดยึด "รางโปรไฟล์"
- (47) สกรูยึดสำหรับช่องพ่นซีคกับออก
- (48) ปุ่มกดสำหรับดึงกลับหมุดนำของตัวล็อกการตี
กลับ^{A)}
- (49) น็อตยึด
- (50) คันล็อกแกน
- (51) หน้าแปลนยึด
- (52) แกนเครื่องมือ
- (53) หน้าแปลนติดตั้ง
- (54) เข็มซีมูม (แนวตั้ง)
- (55) มาตราส่วนสำหรับมุมเอียง (แนวตั้ง)
- (56) ลูกบิดล็อกสำหรับมุมเอียงทั้งหมด (แนวนอน)
- (57) เข็มซีมูมบนฉากหยุดมุม
- (58) เข็มซีมูมระยะห่างโต๊ะเลื่อย
- (59) ปุ่มเปิด
- (60) น็อตหัวเป็นสันสำหรับรางโปรไฟล์
- (61) สกรูหัวร่องกากบาทสำหรับปรับตัวหยุด 0°
- (62) ตัวหยุดสำหรับมุมเอียง 0° (แนวตั้ง)
- (63) สกรูสำหรับเข็มซีมูม (แนวตั้ง)
- (64) สกรูหัวร่องกากบาทสำหรับปรับตัวหยุด 45°
- (65) ตัวหยุดสำหรับมุมเอียง 45° (แนวตั้ง)
- (66) สกรูหัวจมทกเหลี่ยม (5 มม.) ด้านหน้าสำหรับการ
ปรับความขนานของใบเลื่อย
- (67) สกรูหัวจมทกเหลี่ยม (5 มม.) ด้านท้ายสำหรับการ
ปรับความขนานของใบเลื่อย
- (68) สกรูสำหรับเข็มซีมูมระยะห่างโต๊ะเลื่อย
- (69) สกรูหัวจมทกเหลี่ยม (5 มม.) สำหรับการปรับ
ความขนานของแผงกำหนดแนวขนาน
- (70) สกรูสำหรับเข็มซีมูมระยะห่างแผงกำหนดแนวขนาน
- (71) สกรูปรับสำหรับแผ่นแทรกโต๊ะ
- (72) ที่ยึดสำหรับจัดเก็บชุดยึด "แผงกำหนดแนวขนาน
เพิ่ม"
- (73) คลิปยึดสำหรับจัดเก็บข้อต่อท่อดูดออก
- (74) ที่ยึดสำหรับจัดเก็บตัวล็อกการตีกลับ^{A)}
- (75) น็อตยึดสำหรับประแจแหวนและสำหรับแขวนไม้ค้ำ
- (76) ที่ยึดสำหรับจัดเก็บประแจขันหกเหลี่ยม
- (77) คลิปยึดสำหรับจัดเก็บฉากหยุดมุม

A) รุ่นประเทศ 3 601 M30 5C2

ข้อมูลทางเทคนิค

เลื่อยตั้งโต๊ะ

GTS 10 J

หมายเลขสินค้า

3 601 M30 5..

| เลื่อยตัดโต๊ะ | | GTS 10 J |
|---|-------------------|-----------------|
| กำลังไฟฟ้าที่ติดตั้ง | วัตต์ | 1800 |
| แรงดันไฟฟ้าที่ติดตั้ง | โวลต์ | 220-240 |
| ความเร็วรอบ | เฮิร์ตซ์ | 50/60 |
| ความเร็วรอบเดินตัวเปล่า | นาที ¹ | 3650 |
| การจำกัดกระแสไฟฟ้าเมื่อสตาร์ทเครื่อง | | ● |
| น้ำหนักตามระเบียบการ-EPTA-Procedure 01:2014 | กก. | 26.2 |
| ระดับความปลอดภัย | | □/ |
| ขนาด (รวมชิ้นส่วนของเครื่องที่ถอดออกได้) | | |
| กว้าง x ลึก x สูง | มม. | 640 x 706 x 330 |
| ขนาดของใบเลื่อยที่เหมาะสม | | |
| เส้นผ่าศูนย์กลางใบเลื่อย | มม. | 254 |
| ความหนาใบ | มม. | < 2.2 |
| ความหนาฟันเลื่อย/ตรงที่แต่งฟันเลื่อย ต่ำสุด | มม. | > 2.4 |
| เส้นผ่าศูนย์กลางรูประกอบ | มม. | 25.4 |

ขนาดชิ้นงานสูงสุด: (ดู "ขนาดชิ้นงานสูงสุด", หน้า 73)

ค่าที่ให้นี้ใช้ได้กับแรงดันไฟฟ้าอโนมอล [U] 230 โวลต์ค่าเหล่านี้ อาจเปลี่ยนแปลงไปสำหรับแรงดันไฟฟ้าที่แตกต่างกัน และโมเดลที่ผลิตสำหรับเฉพาะประเทศ

การติดตั้ง

- ▶ **หลีกเลี่ยงอย่าให้เครื่องติดขึ้นเองโดยไม่ตั้งใจ ขณะติดตั้งและเมื่อทำการปรับแต่งใดๆ ที่เครื่องมือไฟฟ้า ต้องไม่ต่อปลั๊กไฟฟ้าเข้ากับแหล่งจ่ายไฟฟ้าหลัก**

รายการสิ่งของที่จะจัดส่ง

ก่อนใช้เครื่องทำงานเป็นครั้งแรก ให้ตรวจสอบว่าชิ้นส่วนทั้งหมดที่ระบุด้านล่างนี้ได้จัดส่งมาด้วยหรือไม่:

- เลื่อยตัดโต๊ะพร้อมใบเลื่อย (27) และลิ้มแยก (8) ติดตั้งมาแล้ว
- จากชุดมุม (3)
- รางโปรไฟล์ (29)
- ชุดยึด "รางโปรไฟล์" (46) (เพลดินา น็อตหัวเป็นสัน สกรู ประเก็นวงแหวน)
- แผงกำหนดแนวขนาน (10)
- แผงกำหนดแนวขนานเพิ่ม (43)

- ชุดยึด "แผงกำหนดแนวขนานเพิ่ม" (44) (สกรูยึด 3 ตัว ประเก็นวงแหวน 3 ชิ้น น็อตปีก 3 ตัว)
- กระบังป้องกัน (6)
- ตัวล็อกการตีกลับ (9) (รุ่นประเทศ 3 601 M30 5C2)
- ประแจขันทกเหลี่ยม (22)
- ประแจขันทกเหลี่ยม (21)
- ประแจแหวน (23)
- ไม้ดัน (24)
- แผ่นแทรกโต๊ะ (26)
- ขอดต่อท่อตัดออก (33)

หมายเหตุ: ตรวจสอบเครื่องมือไฟฟ้าเพื่อหาจุดชำรุดที่อาจมีก่อนใช้เครื่องมือไฟฟ้าต่อไปต้องตรวจสอบอุปกรณ์ป้องกันอันตรายว่าทำงานอย่างถูกต้องหรือไม่ ส่วนชำรุดเล็กน้อยใดๆ ต้องได้รับการตรวจสอบอย่างละเอียดถี่ถ้วนเพื่อจะมั่นใจว่า เครื่องจะทำงานได้อย่างไม่มีข้อบกพร่อง ตรวจสอบชิ้นส่วนที่เคลื่อนไหวว่าทำงานอย่างถูกต้องและติดขัดหรือไม่ หรือมีชิ้นส่วนเสียหายหรือไม่ ชิ้นส่วนทั้งหมดต้องติดตั้งอย่างถูกต้องและตรงตามเงื่อนไขทั้งหมดเพื่อให้แน่ใจว่าจะทำงานได้อย่างไม่ผิดพลาด ท่านต้องส่งเครื่องไปยังโรงซ่อมที่เชี่ยวชาญและเป็นที่ยอมรับเพื่อทำการซ่อมแซมหรือเปลี่ยนอุปกรณ์ป้องกันอันตรายและชิ้นส่วนที่เสียหายอย่างถูกต้อง

การติดตั้งส่วนประกอบแต่ละชิ้น

- นำชิ้นส่วนทั้งหมดที่จะจัดส่งมาออกจากหีบห่ออย่างระมัดระวัง
- นำวัสดุหีบห่อทั้งหมดออกจากเครื่องมือไฟฟ้าและอุปกรณ์ประกอบที่จะจัดส่งมา
- ตรวจสอบให้แน่ใจว่าได้เอาวัสดุบรรจุภัณฑ์ได้บล็อกมอเตอร์ออกมาแล้ว

ชิ้นส่วนของเครื่องต่อไปนี้จะถูกยึดกับตัวเรือนโดยตรง: ไม้ดัน (24) ประแจแหวน (23) ประแจขันทกเหลี่ยม (22) และ (21) แผงกำหนดแนวขนาน (10) จากชุดมุม (3) ขอดต่อท่อตัดออก (33) แผงกำหนดแนวขนานเพิ่ม (43) พร้อมชุดยึด (44) กระบังป้องกัน (6)

- หากท่านต้องใช้ชิ้นส่วนของเครื่องขึ้นใดชิ้นหนึ่ง ให้เอาออกจากตำแหน่งจัดเก็บอย่างระมัดระวัง

การจัดตำแหน่งลิ้มแยก (ดูภาพประกอบ a1-a2)

หมายเหตุ: หากจำเป็น ให้ทำความสะอาดชิ้นส่วนทั้งหมดที่จะติดตั้งก่อนจัดวางตำแหน่ง

- หมุนข้อเหวี่ยง (19) ตามเข็มนาฬิกาจนสุดเพื่อให้ใบเลื่อย (27) อยู่ในตำแหน่งสูงสุดเหนือโต๊ะเลื่อย
- คลายคันทัน (35) ออก หรือ

รูปประเทศ **3 601 M30 5C2** : คลายสกรูหัวจมหกเหลี่ยม (36) ออกด้วยประแจขันหกเหลี่ยม (22)

- เลื่อนลิ้มแยก (8) ไปในทิศทางคันหนีบ (35) จนสามารถดึงขึ้นด้านบน
- ดึงลิ้มแยกทั้งหมดขึ้นด้านบนจนอยู่ในตำแหน่งเหนือกึ่งกลางใบเลื่อยพอดี
- ให้หมุดทั้งสอง (37) ขมเข้าในรูด้านล่างของลิ้มแยก และดึงคันหนีบ (35) หรือ ขันสกรูหัวจมหกเหลี่ยม (36) กลับให้แน่นอีกครั้ง

การติดตั้งแผ่นแทรกโตะ (รูปภาพประกอบ b)

- เกี่ยวแผ่นแทรกโตะ (26) เข้าในช่องด้านท้าย (38) ของช่องเครื่อง
- จับแผ่นแทรกโตะลง
- กดบนแผ่นแทรกโตะจนแผ่นขมเข้าตรงด้านหน้าในช่องเครื่องมือ

ด้านหน้าของแผ่นแทรกโตะ (26) จะต้องราบเป็นระดับเดียวกันหรืออยู่ต่ำกว่าโตะเลื่อยเล็กน้อย ด้านท้ายจะต้องราบเป็นระดับเดียวกันหรืออยู่เหนือโตะเลื่อยเล็กน้อย

การติดตั้งกระบังป้องกัน (รูปภาพประกอบ c1-c2)

หมายเหตุ: ติดตั้งกระบังป้องกันเฉพาะเมื่อลิ้มแยกอยู่ในตำแหน่งด้านบนสุดเหนือกึ่งกลางใบเลื่อยพอดี (รูปภาพประกอบ a2) อย่าติดตั้งกระบังป้องกันเมื่อลิ้มแยกอยู่ในตำแหน่งต่ำสุด (สภาพจัดส่งจากโรงงานหรือตำแหน่งเลื่อยร่อง) (รูปภาพประกอบ a1)

- คลายคันหนีบ (39) ออกและถอดกระบังป้องกัน (6) ออกจากที่ยึด (34)
- จับคาร์ดใบเลื่อย (รางโลหะด้านบน) ของกระบังป้องกัน (6) ให้แน่นด้วยมือข้างหนึ่ง และเลื่อนคันหนีบ (39) ขึ้นด้วยมืออีกข้างหนึ่ง
- ดันหมุดนำ (40) ไปด้านหลังลงในร่องบนลิ้มแยก (8)
- เลื่อนกระบังป้องกัน (6) ลงจนคาร์ดใบเลื่อย (รางโลหะด้านบน) ขนานกับพื้นผิวโตะเลื่อย (7)
- ดันตามหนีบ (39) ลง คันหนีบต้องขมเข้าอย่างรู้สึกได้และได้ยินเสียง กระบังป้องกัน (6) ต้องถูกติดตั้งอย่างแน่นหนาและปลอดภัย
- ▶ ก่อนใช้งานแต่ละครั้งให้ตรวจสอบว่ากระบังป้องกันเคลื่อนไหวได้อย่างถูกต้อง อย่าใช้เครื่องมือไฟฟ้าหากกระบังป้องกันไม่สามารถเคลื่อนไหวได้อย่างอิสระและไม่ปิดทันที

การติดตั้งแฉกกำหนดแนวขนาน (รูปภาพประกอบ d)

ท่านสามารถวางแฉกกำหนดแนวขนาน (10) ได้ทั้งทางซ้ายหรือทางขวาของใบเลื่อย

- คลายตามหนีบ (41) ของแฉกกำหนดแนวขนาน (10) ออก ในลักษณะนี้ตัวนำรูปตัว V (42) จะถูกปลด
- ในขั้นแรกให้สอดแฉกกำหนดแนวขนานโดยให้ตัวนำรูปตัว V อยู่ในร่องตัวนำ (11) ของโตะเลื่อย จากนั้นจึงจัดแฉกกำหนดแนวขนานให้เข้าในร่องนำด้านหน้า (1) ของโตะเลื่อย ตอนนี้ท่านสามารถเลื่อนแฉกกำหนดแนวขนานได้อย่างอิสระ
- เมื่อต้องการล็อกแฉกกำหนดแนวขนานให้กดตามหนีบ (41) ลง

การติดตั้งแฉกกำหนดแนวขนานเพิ่ม (รูปภาพประกอบ e)

สำหรับการเลื่อยชิ้นงานแคบและการเลื่อยมุมเฉียงในแนวตั้ง ท่านต้องติดตั้งแฉกกำหนดแนวขนานเพิ่ม (43) เข้ากับแฉกกำหนดแนวขนาน (10) แฉกกำหนดแนวขนานเพิ่มสามารถติดตั้งทางซ้ายหรือทางขวาเข้ากับแฉกกำหนดแนวขนาน (10) ได้ตามต้องการ

สำหรับการติดตั้งให้ใช้ชุดยึด "แฉกกำหนดแนวขนานเพิ่ม" (44) (สกรูยึด 2 ตัว ประเก็นวงแหวน 2 ชิ้น น็อตปีก 2 ตัว)

- ใส่สกรูยึดผ่านรูด้านข้างในแฉกกำหนดแนวขนาน (10)
- หัวของสกรูทำหน้าที่เป็นตัวนำสำหรับแฉกกำหนดแนวขนานเพิ่ม
- เลื่อนแฉกกำหนดแนวขนานเพิ่ม (43) ไปเหนือหัวของสกรูยึด
- ประกอบประเก็นวงแหวนเข้ากับสกรูยึดและยึดให้แน่นด้วยนอตปีก

การติดตั้งฉากหยุดมุม (รูปภาพประกอบ f1-f2)

- สอดรางนำ (45) ของฉากหยุดมุม (3) เข้าในร่องนำ (5) ร่องใดร่องหนึ่งของโตะเลื่อยที่ทำไว้สำหรับจุดประสงค์นี้เพื่อให้จัดวางชิ้นงานขนาดยาวได้ง่ายขึ้น ท่านสามารถขยายฉากหยุดมุมด้วยรางโปรไฟล์ (29)
- หากต้องการ ให้ติดตั้งรางโปรไฟล์เข้ากับฉากหยุดมุมด้วยชุดยึด (46)

การดูแลฝุ่น/ขี้เลื่อย

ฝุ่นที่ได้จากวัสดุ เช่น เคลือบผิวที่มีสารตะกั่ว ไม้บางประเภท แร่ธาตุ และโลหะ อาจเป็นอันตรายต่อสุขภาพ การสัมผัสหรือการหายใจเอาฝุ่นเข้าไปอาจทำให้เกิดปฏิกิริยาแพ้ฝุ่น และ/หรือนำมาซึ่งโรคติดเชื้อระบบหายใจแก่ผู้ใช้เครื่องมือหรือผู้ที่ยืนอยู่ใกล้เคียง ฝุ่นบางประเภท เช่น ฝุ่นไม้อัด หรือไม้ขี้ ไม้ เป็นสารที่ทำให้เกิดมะเร็ง โดยเฉพาะอย่างยิ่งเมื่อผสมกับสารเติมแต่งเพื่อบำบัดไม้ (โครเมต ผลิตภัณฑ์รักษาเนื้อไม้) สำหรับวัสดุที่มีแอลสเบทอสต้องให้ผู้เชี่ยวชาญทำงานเท่านั้น

- ใช้ระบบดูดฝุ่นออกที่เหมาะสมกับประเภทวัสดุ มากเท่าที่จะทำได้
- จัดสถานที่ทำงานให้มีการระบายอากาศที่ดี
- ขอแนะนำให้สวมหมวกปกป้องการติดเชื้อที่มีระดับ-ไลกรอง P2

ปฏิบัติตามกฎข้อบังคับสำคัญอื่นๆ ที่เกี่ยวกับวัสดุชิ้นงานที่บังคับใช้ในประเทศของท่าน

อุปกรณ์ดูดฝุ่น/ซีลีย้อาจอุดตันด้วยฝุ่น ซีลีย้อหรือสะเก็ดชิ้นงาน

- ปิดสวิทช์เครื่อง และดึงปลั๊กไฟออกจากเต้าเสียบ
- รอจนใบเลื่อยหยุดสนิท
- หาลาเหตุของการอุดตันและทำการแก้ไข

▶ **ป้องกันการสะสมของฝุ่นในสถานที่ทำงาน**
ฝุ่นสามารถถูกใหม่อย่างง่ายดาย

▶ **เพื่อป้องกันการเกิดไฟไหม้เมื่อเลื่อยอะลูมิเนียม ให้เทียงฝุ่นในช่องพ่นซีกบออก และอย่าใช้การดูดฝุ่น/ซีลีย้อ**

การเทียงฝุ่นในช่องพ่นซีกบออก (ดูภาพประกอบ g)

ท่านสามารถเทียงสะเก็ดชิ้นงานและเศษตัดชิ้นใหญ่ออกจากช่องพ่นซีกบออก (32) ได้

- ปิดสวิทช์เครื่องและดึงปลั๊กไฟออกจากเต้าเสียบ
- รอจนใบเลื่อยหยุดสนิท
- คลายสกรูยึด (47) ออกด้วยประแจขันหกเหลี่ยม (22)
- ดึงช่องพ่นซีกบออก (32) ออกมาและเทียงสะเก็ดชิ้นงานและเศษตัด
- ติดตั้งช่องพ่นซีกบออกกลับเข้าที่บนเครื่องมือไฟฟ้า

การดูดฝุ่นด้วยเครื่องดูดฝุ่นภายนอก (ดูภาพประกอบ h)

ใช้ข้อต่อท่อดูดออก (33) ที่จัดส่งมาเพื่อเชื่อมต่อเครื่องดูดฝุ่นเข้ากับช่องพ่นซีกบออก (32)

- เสียบข้อต่อท่อดูดออก (33) และท่อดูดฝุ่นเข้าให้แน่น
- เครื่องดูดฝุ่นต้องมีลักษณะการใช้งานที่เหมาะสมกับประเภทวัสดุชิ้นงาน

ในกรณีดูดฝุ่นแห้งที่เป็นอันตรายต่อสุขภาพอย่างยิ่งหรืออาจก่อให้เกิดมะเร็งได้ ให้ใช้เครื่องดูดฝุ่นพิเศษ

การติดตั้งแบบประจำที่หรือแบบคล่องตัว

▶ **เพื่อความคมเครื่องให้ได้อย่างปลอดภัย ก่อนใช้งานต้องติดตั้งเครื่องบนพื้นผิวที่มั่นคงและราบเสมอกัน (ต. ย. เช่น โต๊ะทำงานของช่าง)**

การติดตั้งบนพื้นี่ทำงาน (ดูภาพประกอบ i)

- ยึดเครื่องมือไฟฟ้าเข้ากับพื้นี่ทำงานด้วยสกรูยึดที่เหมาะสม สำหรับการยึดให้ใช้รู (12)

การติดตั้งบนโต๊ะทำงาน มอซ (ดูภาพประกอบ j)

โต๊ะทำงานของ Bosch (ต. ย. เช่น GTA 600) มีขาปรับระดับความสูงได้ทำให้สามารถกำหนดเครื่องมือไฟฟ้าได้อย่างมั่นคงบนทุกพื้นี่ผิว

▶ **อ่านค่าเดือนเพื่อความปลอดภัยและคำสั่งทั้งหมดที่แนบมากับโต๊ะเลื่อย** การไม่ปฏิบัติตามค่า

เดือนเพื่อความปลอดภัยและคำสั่งอาจเป็นสาเหตุให้ถูกไฟฟ้าดูด เกิดไฟไหม้ และ/หรือได้รับบาดเจ็บอย่างร้ายแรง

▶ **ต่อโต๊ะทำงานอย่างถูกต้องก่อนติดตั้งเครื่องมือไฟฟ้า**

จำเป็นต้องต่อให้เรียบร้อยถูกต้องเพื่อหลีกเลี่ยงอันตรายจากการล้มคว่ำ

- ติดตั้งเครื่องมือไฟฟ้าในตำแหน่งขนย้ายบนโต๊ะทำงาน

การเปลี่ยนใบเลื่อย (ดูภาพประกอบ k1-k4)

▶ **ดึงปลั๊กไฟออกจากเต้าเสียบก่อนปรับแต่งเครื่อง**

▶ **สวมถุงมือป้องกันอันตรายเมื่อติดตั้งใบเลื่อย** อันตรายจากการบาดเจ็บ

▶ **ใช้เฉพาะใบเลื่อยที่มีความเร็วสูงสุดที่อนุญาตสูงกว่าความเร็วรอบตัวเปล่าของเครื่องมือไฟฟ้า**

▶ **ใช้เฉพาะใบเลื่อยที่ตรงตามข้อกำหนดที่ระบุไว้ในคู่มือการใช้งานนี้และบนเครื่องมือไฟฟ้า และ ได้ผ่านการทดสอบตามมาตรฐาน EN 847-1 และทำเครื่องหมายไว้เท่านั้น**

▶ **ใช้เฉพาะใบเลื่อยที่บริษัทผู้ผลิตเครื่องมือแนะนำให้ใช้ และต้องเป็นใบเลื่อยที่เหมาะสมสำหรับเลื่อยวัสดุที่ต้องการตัด**

▶ **ใช้เฉพาะใบเลื่อยที่บริษัทผู้ผลิตเครื่องมือแนะนำให้ใช้ และต้องเป็นใบเลื่อยที่เหมาะสมสำหรับเลื่อยวัสดุที่ต้องการตัด**

▶ **อย่าใช้ใบเลื่อยที่ทำจากเหล็กกล้าความเร็วสูง (High Speed Steel, HSS) ใบเลื่อยนี้แตกง่าย**

การถอดใบเลื่อย

- หมุนข้อเหวี่ยง (19) ตามเข็มนาฬิกาจนสุดเพื่อให้ใบเลื่อย (27) อยู่ในตำแหน่งสูงสุดเหนือโต๊ะเลื่อย
- เปิดคันหนึบ (39) และดึงกระบังป้องกัน (6) ออกจากร่องบนลิ้มแยก (8)
- เพิ่มเดมสำหรับรุ่นประเทศ 3 601 M30 5C2 : กดปุ่มกด (48) เข้าที่กันและดึงตัวล็อกการตีกลับ (9) ออกจากรูในลิ้มแยก (8)
- ใช้ไขควงยกแผ่นแทรกโต๊ะ (26) ตรงด้านหน้าขึ้นและถอดออกจากช่องเครื่องมือ
- หมุนน็อตยึด (49) ด้วยประแจแหวน (23) และในขณะเดียวกันให้ดึงคันล็อกแกน (50) จนพบเข้าล็อก

- ดึงคันล็อคแกนไว้และขันน็อตยึดออกโดยหมุนทวนเข็มนาฬิกา
- ถอดหน้าแปลนยึด (51) ออก
- ถอดใบเลื่อย (27) ออก

การติดตั้งใบเลื่อย

ก่อนการประกอบให้ทำความสะอาดชิ้นส่วนที่ติดตั้งทั้งหมด หากจำเป็น

- สวมใบเลื่อยใหม่เข้าบนหน้าแปลนติดตั้ง (53) ของแกนเครื่องมือ (52)

หมายเหตุ: อย่าใช้ใบเลื่อยที่มีขนาดเล็กเกินไป ระยะห่างในแนวรัศมีระหว่างใบเลื่อยและลิ้มแยกสูงสุดต้องไม่เกิน 3 - 8 มม.

▶ เมื่อติดตั้งใบเลื่อยให้ตรวจสอบให้แน่ใจว่าทิศทางการตัดของฟัน (ทิศทางลูกศรบนใบเลื่อย) ตรงกับทิศทางลูกศรบนลิ้มแยก!

- ประกอบหน้าแปลนยึด (51) และน็อตยึด (49) เข้า
- หมุนน็อตยึด (49) ด้วยประแจทวน (23) และในขณะที่เดียวกันให้ดึงคันล็อคแกน (50) จนขมเข้าล็อค
- ขันน็อตยึดตามเข็มนาฬิกาเข้าให้แน่น
- ใส่แผ่นแทรกโต๊ะ (26) เข้าอีกครั้ง
- ติดตั้งกระบังป้องกัน (6) อีกครั้ง
- เพิ่มเติมสำหรับรุ่นประเทศ 3 601 M30 5C2 : ติดตั้งตัวล็อคการตีกลับ (9) อีกครั้ง

การปฏิบัติงาน

▶ ดึงปลั๊กไฟออกจากเต้าเสียบก่อนปรับแต่งเครื่อง

ตำแหน่งขนย้ายและตำแหน่งทำงานของใบเลื่อย

ตำแหน่งขนย้าย

- ถอดกระบังป้องกัน (6) ออก ถอดแผ่นแทรกโต๊ะ (26) ออก และจัดวางลิ้มแยก (8) ในตำแหน่งต่ำสุด ใส่แผ่นแทรกโต๊ะ (26) เข้าอีกครั้ง
- หมุนข้อเหวี่ยง (19) ทวนเข็มนาฬิกาจนฟันของใบเลื่อย (27) อยู่ใต้โต๊ะเลื่อย (7)
- เลื่อนส่วนขยายโต๊ะเลื่อย (14) เข้าด้านในทั้งหมด กดค้ำหมับ (16) ลง ในลักษณะนี้ส่วนขยายโต๊ะเลื่อยจะถูกล๊อค

ตำแหน่งทำงาน

- จัดวางลิ้มแยก (8) ในตำแหน่งบนสุดเหนือกึ่งกลางใบเลื่อยพอดี ใส่แผ่นแทรกโต๊ะ (26) เข้า และติดตั้งกระบังป้องกัน (6)

- หมุนข้อเหวี่ยง (19) ตามเข็มนาฬิกาจนฟันบนของใบเลื่อย (27) อยู่เหนือชิ้นงานประมาณ 3 - 6 มม.

การปรับมุมเอียงในแนวตั้งและแนวนอน

เพื่อให้แน่ใจว่าจะตัดชิ้นงานได้อย่างแม่นยำ หลังการใช้งานหนักท่านต้องตรวจสอบการปรับพื้นฐานของเครื่องมือไฟฟ้าและปรับตั้ง หากจำเป็น

การปรับมุมเอียงในแนวตั้ง (ใบเลื่อย) (ดูภาพประกอบ A)

มุมเอียงในแนวตั้งสามารถปรับตั้งได้ในช่วงระหว่าง -2° ถึง 47°

- คลายคันล็อค (17) ออกในทิศทวนเข็มนาฬิกา

หมายเหตุ: หากคลายคันล็อคออกจนหมด แรงโน้มถ่วงจะทำให้ใบเลื่อยเอียงไปในตำแหน่งที่เท่ากับประมาณ 30°

- ดึงหรือดันล๊อคหมุนมือ (18) ไปตาม slotted link จนเข็มชี้มุม (54) แสดงมุมเอียงในแนวตั้งที่ต้องการ
- จับล๊อคหมุนมือไว้ในตำแหน่งนี้และยึดคันล็อค (17) กลับให้แน่นอีกครั้ง

สำหรับการปรับมุมมาตรฐานในแนวตั้ง 0° และ 45°

อย่างรวดเร็วและแม่นยำ มีตัวหยุด ((62), (65)) ที่ตั้งมาจากโรงงาน

การปรับมุมเอียงในแนวนอน (จากหยุดมุม) (ดูภาพประกอบ B)

มุมเอียงในแนวนอนสามารถปรับตั้งได้ในช่วงระหว่าง 60° (ด้านซ้าย) ถึง 60° (ด้านขวา)

- คลายลูกบิดล๊อค (56) ออกหากถูกขันแน่น
- หมุนฉากหยุดมุมจนเข็มชี้มุม (57) แสดงมุมเอียงที่ต้องการ
- ขันลูกบิดล๊อค (56) เข้าอีกครั้ง

การเพิ่มขนาดของโต๊ะเลื่อย

ต้องหมุนส่วนปลายของชิ้นงานที่หนักและมีขนาดยาวที่ลอยอยู่

ส่วนขยายโต๊ะเลื่อย (ดูภาพประกอบ C)

ส่วนขยายโต๊ะเลื่อย (14) เพิ่มความกว้างของโต๊ะเลื่อย (7) ทางด้านขวาได้สูงสุด 625 มม.

- ดึงค้ำหมับ (16) ของส่วนขยายโต๊ะเลื่อยขึ้นด้านบนทั้งหมด
- ดึงส่วนขยายโต๊ะเลื่อย (14) ออกตามความยาวที่ต้องการ
- กดค้ำหมับ (16) ลง ในลักษณะนี้ส่วนขยายโต๊ะเลื่อยจะถูกล๊อค

การปรับแต่งกำหนดแนวขนาน

แผงกำหนดแนวขนาน (10) สามารถจัดวางได้ทั้งทางซ้าย (มาตราส่วนสีน้ำตาล) หรือทางขวา (มาตราส่วนสีเงิน) ของใบ

เลื่อย เครื่องหมายในแวนชยาย (28) แสดงระยะห่างที่ตั้งไว้ระหว่างแวงกำหนดแนวขนานและใบเลื่อยบนมาตราส่วน (2) จัดวางแวงกำหนดแนวขนานบนด้านที่ต้องการของใบเลื่อย

การปรับแวงกำหนดแนวขนานเมื่อไม่ถึงโต๊ะเลื่อยออก

- คลายค้ำหนีบ (41) ของแวงกำหนดแนวขนาน (10) ออก เลื่อนแวงกำหนดแนวขนานจนเครื่องหมายในแวนชยาย (28) แสดงระยะห่างจากใบเลื่อยที่ต้องการเมื่อไม่ถึงโต๊ะเลื่อยออกให้ใช้เครื่องหมายด้านล่างของมาตราส่วนสีเงิน (2)
- เมื่อต้องการล็อคให้กดค้ำหนีบ (41) ลงอีกครั้ง

การปรับแวงกำหนดแนวขนานเมื่อถึงโต๊ะเลื่อยออก (ดูภาพประกอบ D)

- จัดวางแวงกำหนดแนวขนานบนด้านขวาของใบเลื่อย เลื่อนแวงกำหนดแนวขนานจนเครื่องหมายในแวนชยาย (28) แสดงบนมาตราส่วนล่างตัวเลข 26 ซม. เมื่อต้องการล็อคให้กดค้ำหนีบ (41) ลงอีกครั้ง
- ดึงค้ำหนีบ (16) ของส่วนชยายโต๊ะเลื่อยขึ้นด้านบนทั้งหมด
- ดึงส่วนชยายโต๊ะเลื่อย (14) ออกมาด้านบนจนเข็มชี้ระยะห่าง (58) แสดงระยะห่างจากใบเลื่อยที่ต้องการบนมาตราส่วนด้านบน
- กดค้ำหนีบ (16) ลง ในลักษณะนี้ส่วนชยายโต๊ะเลื่อยจะถูกล็อค

การปรับแวงกำหนดแนวขนานเพิ่ม (ดูภาพประกอบ E)

สำหรับการเลื่อยชิ้นงานแคบและการเลื่อยมุมเอียงในแนวตั้ง ท่านต้องติดตั้งแวงกำหนดแนวขนานเพิ่ม (43) เข้ากับแวงกำหนดแนวขนาน (10)

แวงกำหนดแนวขนานเพิ่มสามารถติดตั้งทางซ้ายหรือทางขวาเข้ากับแวงกำหนดแนวขนาน (10) ได้ตามต้องการ ขณะเลื่อย ชิ้นงานอาจเกิดติดขัดอยู่ระหว่างแวงกำหนดแนวขนานและใบเลื่อย ถูกใบเลื่อยส่วนขึ้นเกี่ยวจับและเหวี่ยงออกไป

ดังนั้นจึงควรปรับตั้งแวงกำหนดแนวขนานเพิ่มในลักษณะให้ตอนท้ายของแวงอยู่ระหว่างพื้นหน้าของใบเลื่อยและขอบด้านหน้าของลิ้มแยก

- สำหรับการปรับตั้ง ให้คลายน็อตปิ๊กทั้งหมดของชุดยึด (44) ออก และเลื่อนแวงกำหนดแนวขนานเพิ่มจนใช้เพียงสกรูด้านหน้าสองตัวเท่านั้นสำหรับยึด
- ยึดน็อตปิ๊กกลับให้แน่นอีกครั้ง

การปรับลิ้มแยก

ลิ้มแยก (8) ช่วยป้องกันใบเลื่อย (27) ไม่ให้ติดขัดในร่องตัด มีฉะนั้นจะเกิดความเสียหายจากการตีกลับทาบใบเลื่อยถูกมีบบั๊ตอยู่ในชิ้นงาน

ดูแลให้ลิ้มแยกได้รับการปรับอย่างถูกต้องเสมอ:

- ระยะห่างในแนวรัศมีระหว่างใบเลื่อยและลิ้มแยกสูงสุดต้องไม่เกิน 3 - 8 มม.
- ความหนาของลิ้มแยกต้องน้อยกว่าความกว้างการตัดและมากกว่าความหนาของใบเลื่อย
- ลิ้มแยกต้องอยู่ในแนวเดียวกันกับใบเลื่อยเสมอ
- สำหรับการตัดปกติ ลิ้มแยกต้องอยู่ในตำแหน่งสูงสุดเท่าที่เป็นไปได้เสมอ

การปรับความสูงของลิ้มแยก (ดูภาพประกอบ F)

สำหรับการเลื่อยร่อง ต้องปรับความสูงของลิ้มแยก

▶ ใช้เครื่องมือไฟฟ้าสำหรับเซาะร่องหรือहारอยบากร่วมกับอุปกรณ์ป้องกันที่เหมาะสมเท่านั้น (ค. ย. เช่น กระจับป้องกันทรงอุโมงค์ หัวดินไม้)

- เปิดค้ำหนีบ (39) และดึงกระจับป้องกัน (6) ออกจากร่องบนลิ้มแยก (8) สำหรับการป้องกันการไม่ไห้กระจับป้องกันเสียหาย ให้จัดเก็บไว้ในที่ยึด (34) ที่ให้มาบนตัวเรือน (ดูภาพประกอบ O1 ด้วย)
- เพิ่มเติมสำหรับรุ่นประเทศ 3 601 M30 5C2 : กดปุ่มกด (48) เข้าหากันและดึงตัวล็อคการตีกลับ (9) ออกจากรูในลิ้มแยก (8) สำหรับการจัดเก็บตัวล็อคการตีกลับ ให้ยึดไว้ในที่ยึด (74) ที่ให้มาบนตัวเรือน (ดูภาพประกอบ O1 ด้วย)
- หมุนข้อเหวี่ยง (19) ตามเข็มนาฬิกาจนสุดเพื่อให้ใบเลื่อย (27) อยู่ในตำแหน่งสูงสุดเหนือโต๊ะเลื่อย
- คลายค้ำหนีบ (35) ออก หรือ รุ่นประเทศ 3 601 M30 5C2 : คลายสกรูหัววงหกเหลี่ยม (36) ออกด้วยประแจขันหกเหลี่ยม (22)
- ดึงลิ้มแยกออกจากมุม (37) (ดึงค้ำหนีบ (35) ออกด้านบนเล็กน้อย) และดันลิ้มแยก (8) ลงจนสุด
- ปลดปล่อยให้มุมทั้งสอง (37) ขมเข้าในรูด้านบนที่ลิ้มแยกและชั้นค้ำหนีบ (35) กลับให้แน่นอีกครั้ง

การเริ่มต้นปฏิบัติงาน

- ▶ ให้สังเกตแรงดันไฟฟ้า! แรงดันไฟฟ้าจากแหล่งจ่ายไฟฟ้าต้องมีค่าตรงกับค่าแรงดันไฟฟ้าที่ระบุไว้บนแผ่นป้ายพิกัดเครื่อง

เปิดสวิตช์ (คุณภาพประกอบ G1)

- พับบานพับเพื่อความปลอดภัย (20) ขึ้นด้านบน
- เมื่อต้องการเริ่มต้นทำงานให้กดปุ่มเปิดสวิตช์ (59)
- ปลอ่ยบานพับเพื่อความปลอดภัย (20) ลงอีกครั้ง

ปิดสวิตช์ (คุณภาพประกอบ G2)

- กดบนบานพับเพื่อความปลอดภัย (20)

ไฟฟ้าดับ

สวิตช์เปิด-ปิด เป็นสวิตช์ชนิดที่เรียกกันว่าสวิตช์แรงดันศูนย์ที่ป้องกันไม่ให้เครื่องมือไฟฟ้าเริ่มทำงานอีกครั้งหลังไฟฟ้าดับ (ต. ย. เช่น เมื่อถอดปลั๊กไฟออกระหว่างการใช้งาน) หากต้องการให้เครื่องมือไฟฟ้าเริ่มต้นทำงานอีกครั้งหลังไฟฟ้าดับ ให้กดปุ่มเปิดสวิตช์ (59) อีกครั้ง

ข้อแนะนำในการทำงาน**คำแนะนำทั่วไปสำหรับการเลื่อย**

- ▶ สำหรับการตัดทั้งหมด อันดับแรกต้องตรวจสอบให้แน่ใจว่าใบเลื่อยจะไม่สามารถสัมผัสกับตัวหยุดหรือชิ้นส่วนอื่นๆ ของเครื่องตลอดเวลา
- ▶ ใช้เครื่องมือไฟฟ้าสำหรับเช่าหรือหำร่อยบากรวมกับอุปกรณ์ป้องกันที่เหมาะสมเท่านั้น (ต. ย. เช่น กระบังป้องกันทรงอุโมงค์ หัวคั้นไม้)
- ▶ อย่าใช้เครื่องมือไฟฟ้าสำหรับตัดช่องที่แคบยาว (ร่องลึนสุดในชิ้นงาน)

ป้องกันใบเลื่อยไม่ให้ถูกกระทบกระแทก อย่ากดใบเลื่อยลงทางด้านข้าง

ลิ้มแยกตั้งอยู่ในแนวเดียวกันกับใบเลื่อยเพื่อป้องกันไม่ให้ชิ้นงานติดขัด

อย่าเลื่อยชิ้นงานที่บิดเบี้ยว ชิ้นงานต้องมีขอบตรงเสมอเพื่อประกบกับแผงกำหนดแนวขนาน จัดเก็บไม้ค้ำไว้กับเครื่องมือไฟฟ้าเสมอ

ตำแหน่งของผู้ใช้งานเครื่อง (คุณภาพประกอบ H)

- ▶ **อย่ายืนในแนวเดียวกันกับใบเลื่อยโดยตรงอย่างเด็ดขาด** ให้วางตำแหน่งของลำตัวของท่านไว้ด้านเดียวกันกับใบเลื่อยและหัวเสมอ การตีกลับอาจดันชิ้นงานอย่างรวดเร็วไปยังทุกๆ คนที่ยืนอยู่ตรงหน้าและอยู่ในแนวเดียวกันกับใบเลื่อย

- เอามือ นิ้ว และแขนออกห่างจากใบเลื่อยที่กำลังหมุน

ปฏิบัติตามคำสั่งต่อไปนี้:

- จับชิ้นงานอย่างแน่นหนาด้วยมือทั้งสองข้างและกดทาบกับโต๊ะเลื่อยอย่างมั่นคง
- สำหรับชิ้นงานแคบและสำหรับการเลื่อยมุมเฉียงในแนวตั้ง ให้ใช้ไม้ค้ำ (24) และแผงกำหนดแนวขนานเพิ่ม (43) ที่จัดส่งมาเสมอ

ขนาดชิ้นงานสูงสุด

| มุมเอียงในแนวตั้ง | ความสูงชิ้นงานสูงสุด [มม.] |
|-------------------|----------------------------|
| 0° | 79 |
| 45° | 56 |

การเลื่อย**การเลื่อยตัดตรง**

- ปรับแผงกำหนดแนวขนาน (10) ตามความกว้างการตัดที่ต้องการ
- วางชิ้นงานบนโต๊ะเลื่อยที่ด้านหน้ากระบังป้องกัน (6)
- ยกหรือลดใบเลื่อยด้วยข้อเหวี่ยง (19) จนฟันบนของใบเลื่อย (27) อยู่เหนือชิ้นงานประมาณ 3 - 6 มม.
- เปิดสวิตช์เครื่องมือไฟฟ้า
- เลื่อยผ่านชิ้นงานด้วยอัตราป้อนคงที่ หากใช้แรงกดมากเกินไป ปลายใบเลื่อยอาจร้อนเกินไปและชิ้นงานอาจเสียหายได้
- ปิดสวิตช์เครื่องมือไฟฟ้าและรอจนใบเลื่อยหยุดสนิท

การเลื่อยมุมเอียงในแนวตั้ง

- ปรับตั้งมุมเอียงในแนวตั้งของใบเลื่อยที่ต้องการเมื่อใบเลื่อยเอียงไปทางซ้าย แผงกำหนดแนวขนาน (10) ต้องอยู่ทางด้านขวาของใบเลื่อย
- ทำตามขั้นตอนการทำงาน: (ดู "การเลื่อยตัดตรง", หน้า 73)

การเลื่อยมุมเอียงในแนวนอน (คุณภาพประกอบ I)

- ปรับมุมเอียงในแนวนอนที่ต้องการที่ฉากหยุดมุม (3)
- วางชิ้นงานทาบกับรางโปรไฟล์ (29) โปรไฟล์ต้องไม่อยู่ในแนวเส้นตัด ในกรณีนี้ให้ใช้คลายบัตหัวเป็นสัน (60) ออกและเปลี่ยนตำแหน่งรางโปรไฟล์
- ยกหรือลดใบเลื่อยด้วยข้อเหวี่ยง (19) จนฟันบนของใบเลื่อย (27) อยู่เหนือชิ้นงานประมาณ 3 - 6 มม.
- เปิดสวิตช์เครื่องมือไฟฟ้า
- กดชิ้นงานทาบกับรางโปรไฟล์ (29) ด้วยมือข้างหนึ่ง และจับลูกบิดล็อก (56) เพื่อเลื่อนฉากหยุดมุมไปข้างหน้าในร่องนำ (5) อย่างช้าๆ ด้วยมืออีกข้างหนึ่ง
- ปิดสวิตช์เครื่องมือไฟฟ้า และรอจนใบเลื่อยหยุดสนิท

การตรวจสอบและปรับตั้งการปรับพื้นฐาน

เพื่อให้แน่ใจว่าจะตัดชิ้นงานได้อย่างแม่นยำ หลังการใช้งานหนักท่านต้องตรวจสอบการปรับพื้นฐานของเครื่องมือไฟฟ้าและปรับตั้ง หากจำเป็น สำหรับเรื่องนี้ท่านต้องมีประสบการณ์และเครื่องมือพิเศษที่สอดคล้องกัน

ศูนย์บริการลูกค้า บ้อช

ให้บริการบำรุงรักษาได้รวดเร็วและเชื่อถือได้

การปรับตัวหยุดสำหรับมุมเอียงมาตรฐานในแนวตั้ง 0°/45°

- จัดเครื่องมือไฟฟ้าให้อยู่ในตำแหน่งทำงาน
- ตั้งมุมเอียงในแนวตั้งของใบเลื่อยที่ 0°
- ถอดกระบังป้องกัน (6) ออก

การตรวจสอบ (รูปภาพประกอบ J1)

- ตั้งเกจวัดมุมที่ 90° และวางไวน์บนโต๊ะเลื่อย (7)

ขาของเกจวัดมุมต้องทาเรียบกับใบเลื่อย (27) ตลอดความยาวทั้งหมด

การปรับ (รูปภาพประกอบ J2)

- คลายสลกรู (61) ออกในลักษณะนี้จะสามารถเลื่อนตัวหยุด 0° (62) ได้
- คลายคันล๊อค (17) ออก
- เลื่อนล้อหมุนมือ (18) ไปทางตัวหยุด 0° จนขาของเกจวัดมุมทาเรียบกับใบเลื่อยตลอดความยาวทั้งหมด
- จับล้อหมุนมือไว้ในตำแหน่งนี้ และยึดคันล๊อค (17) กลับให้แน่นอีกครั้ง
- ยึดสลกรู (61) กลับให้แน่นอีกครั้ง

เมื่อปรับแล้ว หากเข็มชี้มุม (54) ไม่อยู่ในเส้นแนวเดียวกับเครื่องหมาย 0° ของมาตราส่วน (55) ให้คลายสลกรู (63) ออกด้วยไขควงปากแฉกที่มีจำหน่ายทั่วไปและปรับแนวเข็มชี้มุมให้เทียบเคียงเครื่องหมาย 0°

ทำซ้ำขั้นตอนทำงานดังกล่าวข้างต้นสำหรับมุมเอียงในแนวตั้ง 45° (คลายสลกรู (64) ออก เลื่อนตัวหยุด 45° (65)) ในขั้นตอนนี้เข็มชี้มุม (54) จะต้องไม่ถูกปรับเลื่อนอีกครั้ง

ความขนานของใบเลื่อยกับร่องนำของฉากหยุดมุม (รูปภาพประกอบ K)

- จัดเครื่องมือไฟฟ้าให้อยู่ในตำแหน่งทำงาน
- ถอดกระบังป้องกัน (6) ออก

การตรวจสอบ

- ใช้ดินสอทำเครื่องหมายที่พื้นเลื่อยซี่แรกทางด้านซ้ายที่มองเห็นได้ทางด้านหลังเหนือแผ่นแทรกโต๊ะ
- ตั้งเกจวัดมุมที่ 90° และวางไวน์ที่ขอบของร่องนำ (5)
- เลื่อนขาของเกจวัดมุมจนขาสัมผัสพื้นเลื่อยที่ทำเครื่องหมายไว้ และอ่านค่าระยะห่างระหว่างใบเลื่อยและร่องนำ
- หมุนใบเลื่อยจนพื้นที่ทำเครื่องหมายไว้ที่ด้านหน้าอยู่เหนือแผ่นแทรกโต๊ะ
- เลื่อนเกจวัดมุมไปตามร่องนำไปยังพื้นเลื่อยที่ทำเครื่องหมายไว้
- วัดระยะห่างระหว่างใบเลื่อยและร่องนำอีกครั้ง

ระยะห่างทั้งสองจะต้องเหมือนกัน

การปรับ

- คลายสลกรูหัวจมหกเหลี่ยม (66) ด้านหน้าใต้โต๊ะเลื่อย และสลกรูหัวจมหกเหลี่ยม (67) ด้านท้ายใต้โต๊ะเลื่อยออกด้วยประแจขันหกเหลี่ยม (22) ที่จัดส่งมา
- เลื่อนใบเลื่อยอย่างระมัดระวังจนใบเลื่อยขนานกับร่องนำ (5)
- ยึดสลกรู (66) และ (67) ทั้งหมดกลับให้แน่นอีกครั้ง

การปรับเข็มชี้ระยะห่างของโต๊ะเลื่อย (รูปภาพประกอบ L)

- จัดวางแผงกำหนดแนวขนานบนด้านขวาของใบเลื่อยเลื่อนแผงกำหนดแนวขนานจนเครื่องหมายในแนวขยาย (28) แสดงบนมาตราส่วนล่างตัวเลข 26 ซม. เมื่อต้องการล๊อคให้กดค้ำหนีบ (41) ลงอีกครั้ง
- ดึงค้ำหนีบ (16) ขึ้นด้านบนทั้งหมดและดึงส่วนขยายโต๊ะ (14) ออกด้านบนออกจนสุด

การตรวจสอบ

เข็มชี้ระยะห่าง (58) ต้องแสดงค่าบนมาตราส่วนบน (2) เหมือนกับค่าที่เครื่องหมายในแนวขยาย (28) แสดงบนมาตราส่วนล่าง (2)

การปรับ

- ดึงส่วนขยายโต๊ะ (14) ออกด้านบนออกจนสุด
- คลายสลกรู (68) ออกด้วยไขควงปากแฉก และจัดแนวเข็มชี้ระยะห่าง (58) ตามเครื่องหมาย 26 ซม. ของมาตราส่วนบน (2)

การปรับความขนานของแผงกำหนดแนวขนาน (รูปภาพประกอบ M)

- จัดเครื่องมือไฟฟ้าให้อยู่ในตำแหน่งทำงาน
- ถอดกระบังป้องกัน (6) ออก
- คลายค้ำหนีบ (41) ของแผงกำหนดแนวขนานออก และเลื่อนไปจนสัมผัสใบเลื่อย

การตรวจสอบ

แผงกำหนดแนวขนาน (10) ต้องสัมผัสใบเลื่อยตลอดความยาวทั้งหมด

การปรับ

- คลายสลกรูหัวจมหกเหลี่ยม (69) ออกด้วยประแจขันหกเหลี่ยม (22) ที่จัดส่งมา
- เลื่อนแผงกำหนดแนวขนาน (10) อย่างระมัดระวังจนสัมผัสใบเลื่อยตลอดความยาวทั้งหมด
- จับแผงกำหนดแนวขนานไว้ในตำแหน่งนี้ และกดค้ำหนีบ (41) ลงอีกครั้ง
- ยึดสลกรูหัวจมหกเหลี่ยม (69) กลับให้แน่นอีกครั้ง

การปรับแรงหนีบของแฉงกำหนดแนวขนาน

แรงหนีบของแฉงกำหนดแนวขนาน (10) อาจลดลงหลังใช้ งานบ่อยครั้ง

- ชั้นสกรูปรับ (25) ไปจนแฉงกำหนดแนวขนานสามารถยึด แน่นบนโต๊ะเลื่อยอีกครั้ง

การปรับแวนขยายของแฉงกำหนดแนวขนาน (ดูภาพ ประกอบ M)

- จัดเครื่องมือไฟฟ้าให้อยู่ในตำแหน่งทำงาน
- ถอดกระบังป้องกัน (6)
- เลื่อนแฉงกำหนดแนวขนาน (10) จากด้านขวาจนสัมผัส ไม้เลื่อย

การตรวจสอบ

เครื่องหมายของแวนขยาย (28) ต้องอยู่ในแนวเดียวกันกับ เครื่องหมาย 0° มม. ของมาตราส่วน (2)

การปรับ

- คลายสกรู (70) ออกด้วยไขควงปากแฉกและจัดแนวเข็ม ชีวระยะห่างตามเครื่องหมาย 0 มม.

การปรับระดับของแผ่นแทรกโต๊ะ (ดูภาพประกอบ N)**การตรวจสอบ**

ด้านหน้าของแผ่นแทรกโต๊ะ (26) จะต้องราบเป็นระดับ เดียวกันหรืออยู่ต่ำกว่าโต๊ะเลื่อยเล็กน้อย ด้านท้ายจะต้องราบ เป็นระดับเดียวกันหรืออยู่เหนือโต๊ะเลื่อยเล็กน้อย

การปรับ

- ถอดแผ่นแทรกโต๊ะ (26) ออก
- ไขประแจขันทกเหลี่ยม (22) เพื่อปรับระดับที่ถูกตั้งของ สกรูปรับสี่ตัว (71)

การจัดเก็บและการขนย้าย**การจัดเก็บชิ้นส่วนของเครื่อง (ดูภาพประกอบ O1-O5)**

สำหรับการจัดเก็บ ท่านสามารถยึดชิ้นส่วนบางตัวของเครื่อง เข้ากับเครื่องมือไฟฟ้าได้

- ถอดแฉงกำหนดแนวขนานเพิ่ม (43) ออกจากแฉงกำหนด แนวขนาน (10)
- ไล่วินิจฉัยเครื่องมือที่ปลดออกได้ทั้งหมดไว้ในช่องจัดเก็บ บนตัวเรือน (ดูตารางต่อไปนี้)

ภาพ ชิ้นส่วนของเครื่อง ช่องจัดเก็บ

ประ
กอบ

| | | |
|----|----------------------------------|--|
| O1 | กระบังป้องกัน (6) | แขวนในช่องของที่ยึด (34) และขันให้แน่นด้วยคันทนียบ (39) |
| O1 | ตัวล้อการตีกลับ (9) (รุ่นประเทศ) | กดปุ่มกด (48) เข้าหากันและ ปลดปล่อยให้ขบเข้าในรูของที่ยึด (74) |

ภาพ ชิ้นส่วนของเครื่อง ช่องจัดเก็บ

| | | |
|----|---|--|
| | 3 601 M30 5C2) | |
| O2 | ชุดยึด "แฉงกำหนด แนวขนาน เพิ่ม" (44) | หนีบในที่ยึด (72) |
| O2 | ข้อต่อท่อดูดออก (33) | เลื่อนเข้าไปในคลิปยึด (73) |
| O3 | ประแจแหวน (23) | ยึดในช่องจัดเก็บด้วยนอตยึด (75) |
| O3 | ไม้ดัน (24) | แขวนบนนอตยึด (75) และ เลื่อนเพื่อยึดให้แน่น |
| O4 | แฉงกำหนดแนว ขนาน (10) | หมุนกลับด้าน แขนงจากด้าน ล่างเข้าไปในรางนำ และยึดด้วย หนีบ (41) |
| O5 | ประแจขันทกเหลี่ยม (22) ประแจขันทกเหลี่ยม (21) | เลื่อนเข้าไปในที่ยึด (76) |
| O5 | จากหยุดมุม (3) | เลื่อนเข้าไปในคลิปยึด (77) |
| O5 | แฉงกำหนดแนว ขนานเพิ่ม (43) | เลื่อนเข้าไปในคลิปยึด (31) (ด้าน ลึ้นหันขึ้น ด้านยาวหันไปทางด้าน ท้าย) |

การยกเครื่องมือไฟฟ้า

ก่อนขนย้ายเครื่องมือไฟฟ้าต้องทำตามขั้นตอนต่อไปนี้:

- จัดเครื่องมือไฟฟ้าให้อยู่ในตำแหน่งขนย้าย
- ถอดอุปกรณ์ประกอบทั้งหมดที่ไม่สามารถติดตั้งกับเครื่อง มือไฟฟ้าได้อย่างแน่นอน หากเป็นไปได้ให้ขนย้ายใบเลื่อยที่ไม่ใช้งานโดยใส่ ในภาชนะบรรจุที่ปิดฝา
- เลื่อนส่วนขยายโต๊ะเลื่อย (14) เข้าด้านในทั้งหมดและกด ตามหนีบ (16) ลงเพื่อยึดให้แน่น
- ม้วนสายไฟฟารอบที่ม้วนเก็บสายไฟฟ้า (30)
- ใช้ด้ามถือ (13) เพื่อยกหรือขนย้าย

▶ เมื่อขนย้ายเครื่องมือไฟฟ้า ให้ยกจับที่อุปกรณ์สำหรับขน ย้ายเท่านั้น และอย่ายก จับที่อุปกรณ์มืองกันอันตรายอย่างเด็ดขาด

การบำรุงรักษาและการบริการ

การบำรุงรักษาและการทำความสะอาด

- ▶ ดึงปลั๊กไฟออกจากเต้าเสียบก่อนปรับแต่งเครื่อง
- ▶ เพื่อให้ทำงานได้อย่างถูกต้องและปลอดภัย ต้องรักษาเครื่องและช่องระบายอากาศให้สะอาดอยู่เสมอ

หากจำเป็นต้องเปลี่ยนสายไฟฯ ต้องส่งเครื่องให้ Bosch หรือศูนย์บริการหลังการขายที่ได้รับมอบหมายสำหรับเครื่องมือไฟฟ้า Bosch เปลี่ยนให้ ทั้งนี้เพื่อหลีกเลี่ยงอันตราย

การทำความสะอาด

หลังเสร็จงานทุกครั้ง ให้เอาผง

ฝุ่นและเศษออกโดยเป่าด้วยอากาศอัดหรือใช้แปรงขัด

การหล่อลื่นเครื่องมือไฟฟ้า



สารหล่อลื่น:

น้ำมันเครื่อง SAE 10/SAE 20

- หล่อลื่นเครื่องมือไฟฟ้าตามความจำเป็นตรงตำแหน่งที่ระบุ (ดูภาพประกอบ P)

ศูนย์บริการลูกค้า บอช ที่ได้รับมอบหมายสามารถทำงานนี้ได้อย่างรวดเร็วและเชื่อถือได้

- ▶ กำหนดสารหล่อลื่นและสารทำความสะอาดในลักษณะที่เป็นมิตรต่อสิ่งแวดล้อม ปฏิบัติตามข้อบังคับทางกฎหมาย

มาตรการลดเสียงรบกวน

มาตรการโดยผู้ผลิต:

- การลดระดับเสียงรบกวน
- การส่งมอบพร้อมใบเลื่อยที่พัฒนาขึ้นเป็นพิเศษสำหรับลดเสียงรบกวน

มาตรการโดยผู้ใช้:

- การติดตั้งแบบให้มีการสันสะเทือนน้อยบนพื้นผิวทำงานที่มั่นคง
- การใช้ใบเลื่อยที่มีคุณสมบัติลดเสียงรบกวน
- การทำความสะอาดใบเลื่อยและเครื่องมือไฟฟ้าเป็นประจำ

อุปกรณ์ประกอบ

| | หมายเลขสินค้า |
|---------------------|---------------|
| ถุงเก็บผง | 2 610 015 511 |
| ข้อต่อท่อดูดออก | 2 610 015 509 |
| Y-อะแดปเตอร์ TSVH 3 | 2 610 015 513 |
| ฉากหยุดมุม | 2 610 015 507 |
| ไม้ดัน | 2 610 015 022 |
| โต๊ะเลื่อย GTA 600 | 0 601 B22 001 |

หมายเลขสินค้า

ใบเลื่อยสำหรับไม้และวัสดุที่เป็นแผ่น แผ่นกระดาน และแผ่นไม้ยาว/คิ้วบัว

ใบเลื่อย 254 x 25.4 มม. 40 ซี่ฟัน 2 608 640 901

ใบเลื่อย 254 x 25.4 มม. 60 ซี่ฟัน 2 608 640 902

การบริการหลังการขายและการให้คำปรึกษาการใช้งาน

ศูนย์บริการหลังการขายของเรายินดีตอบคำถามของท่านที่เกี่ยวกับการบำรุงรักษาและการซ่อมแซมผลิตภัณฑ์รวมทั้งเรื่องอะไหล่ ภาพเขียนแบบการประกอบและข้อมูลเกี่ยวกับอะไหล่ กรุณาดูใน: www.bosch-pt.com

ทีมงานที่ปรึกษาของ บอช ยินดีให้ข้อมูลเกี่ยวกับผลิตภัณฑ์ของเราและอุปกรณ์ประกอบต่างๆ

เมื่อต้องการสอบถามและสั่งซื้ออะไหล่ กรุณาแจ้งหมายเลขสินค้า 10 หลักบนแผ่นป้ายรุ่นของผลิตภัณฑ์ทุกครั้ง

ไทย

ไทย บริษัท โรเบิร์ต บอช จำกัด

เอฟวายไอ เซ็นเตอร์ อาคาร 1 ชั้น 5

เลขที่ 2525 ถนนพระราม 4

แขวงคลองเตย เขตคลองเตย กรุงเทพฯ 10110

โทร: +66 2012 8888

แฟกซ์: +66 2064 5800

www.bosch.co.th

ศูนย์บริการซ่อมและฝึกอบรม บอช

อาคาร ลาซาลทาวเวอร์ ชั้น G ห้องเลขที่ 2

บ้านเลขที่ 10/11 หมู่ 16

ถนนศรีนครินทร์ ตำบลบางแก้ว อำเภอบางพลี

จังหวัดสมุทรปราการ 10540

ประเทศไทย

โทรศัพท์ 02 7587555

โทรสาร 02 7587525

สามารถดูที่อยู่ศูนย์บริการอื่นๆ ได้ที่:

www.bosch-pt.com/serviceaddresses

การกำจัดขยะ

เครื่องมือไฟฟ้า อุปกรณ์ประกอบ และที่บ่อ ต้องนำ

ไปแยกประเภทวัสดุเพื่อการรีไซเคิลที่เป็นมิตรต่อสิ่งแวดล้อม



อย่าทิ้งเครื่องมือไฟฟ้าลงในขยะครัวเรือน!

Bahasa Indonesia

Petunjuk Keselamatan

Petunjuk keselamatan umum untuk perkakas listrik

⚠ PERINGATAN Baca semua peringatan, petunjuk, ilustrasi, dan spesifikasi

keselamatan yang diberikan bersama perkakas listrik ini. Kesalahan dalam menjalankan petunjuk di bawah ini dapat mengakibatkan sengatan listrik, kebakaran, dan/atau cedera serius.

Simpanlah semua peringatan dan petunjuk untuk penggunaan di masa mendatang.

Istilah "perkakas listrik" dalam peringatan mengacu pada perkakas listrik yang dioperasikan dengan listrik (menggunakan kabel) atau perkakas listrik yang dioperasikan dengan baterai (tanpa kabel).

Keamanan tempat kerja

- ▶ **Jaga kebersihan dan pencahayaan area kerja.** Area yang berantakan atau gelap dapat memicu kecelakaan.
- ▶ **Jangan mengoperasikan perkakas listrik di lingkungan yang dapat memicu ledakan, seperti adanya cairan, gas, atau debu yang mudah terbakar.** Perkakas listrik dapat memancarkan bunga api yang kemudian mengakibatkan debu atau uap terbakar.
- ▶ **Jauhkan dari jangkauan anak-anak dan pengamat saat mengoperasikan perkakas listrik.** Gangguan dapat menyebabkan hilangnya kendali.

Keamanan listrik

- ▶ **Steker perkakas listrik harus sesuai dengan stopkontak. Jangan pernah memodifikasi steker. Jangan menggunakan steker adaptor bersama dengan perkakas listrik yang terhubung dengan sistem grounding.** Steker yang tidak dimodifikasi dan stopkontak yang cocok akan mengurangi risiko sengatan listrik.
- ▶ **Hindari kontak badan dengan permukaan yang terhubung dengan sistem grounding, seperti pipa, radiator, kompor, dan lemari es.** Terdapat peningkatan risiko terjadinya sengatan listrik jika badan Anda terhubung dengan sistem grounding.
- ▶ **Perkakas listrik tidak boleh terpapar hujan atau basah.** Air yang masuk ke dalam perkakas listrik menambah risiko terjadinya sengatan listrik.
- ▶ **Jangan menyalahgunakan kabel. Jangan gunakan kabel untuk membawa, menarik, atau melepas steker perkakas listrik. Jauhkan kabel dari panas, minyak, tepi yang tajam, atau komponen yang bergerak.** Kabel listrik yang rusak atau tersangkut menambah risiko terjadinya sengatan listrik.
- ▶ **Saat mengoperasikan perkakas listrik di luar ruangan, gunakan kabel ekstensi yang sesuai untuk penggunaan di luar ruangan.** Penggunaan kabel yang

cocok untuk pemakaian di luar ruangan mengurangi risiko terjadinya sengatan listrik.

- ▶ **Jika perkakas listrik memang harus dioperasikan di tempat yang lembap, gunakan pemutus arus listrik residu (RCD).** Penggunaan RCD akan mengurangi risiko terjadinya sengatan listrik.

Keselamatan personel

- ▶ **Tetap waspada, perhatikan aktivitas yang sedang dikerjakan dan gunakan akal sehat saat mengoperasikan perkakas listrik. Jangan gunakan perkakas listrik saat mengalami kelelahan atau di bawah pengaruh narkoba, alkohol, atau obat-obatan.** Jika perkakas listrik dioperasikan dengan daya konsentrasi yang rendah, hal tersebut dapat menyebabkan cedera serius.
- ▶ **Gunakan peralatan pelindung diri. Selalu kenakan pelindung mata.** Penggunaan perlengkapan pelindung seperti penutup telinga, helm, sepatu anti licin, dan masker debu akan mengurangi cedera.
- ▶ **Hindari start yang tidak disengaja. Pastikan switch berada di posisi off sebelum perkakas listrik dihubungkan ke sumber daya listrik dan/atau baterai, diangkat, atau dibawa.** Membawa perkakas listrik dengan jari menempel pada tombol atau perkakas listrik dalam keadaan hidup dapat memicu kecelakaan.
- ▶ **Singkirkan kunci penyetal atau kunci pas sebelum menghidupkan perkakas listrik.** Perkakas atau kunci pas yang masih menempel pada komponen perkakas listrik yang berputar dapat menyebabkan cedera.
- ▶ **Jangan melampaui batas. Berdirilah secara mantap dan selalu jaga keseimbangan.** Hal ini akan memberikan kontrol yang lebih baik terhadap perkakas listrik pada situasi yang tak terduga.
- ▶ **Kenakan pakaian dengan wajar. Jangan mengenakan perhiasan atau pakaian yang longgar. Jauhkan rambut dan pakaian dari komponen yang bergerak.** Pakaian yang longgar, rambut panjang, atau perhiasan dapat tersangkut dalam komponen yang bergerak.
- ▶ **Jika disediakan perangkat untuk sambungan pengisapan debu dan alat pengumpulan, pastikan perangkat tersebut terhubung dan digunakan dengan benar.** Penggunaan alat pengumpulan dapat mengurangi bahaya yang disebabkan oleh debu.
- ▶ **Jangan berpuas diri dan mengabaikan prinsip keselamatan karena terbiasa mengoperasikan perkakas.** Tindakan yang kurang hati-hati dapat mengakibatkan cedera serius dalam waktu sepersekian detik.

Penggunaan dan pemeliharaan perkakas listrik

- ▶ **Jangan memaksakan perkakas listrik. Gunakan perkakas listrik yang sesuai untuk pekerjaan yang dilakukan.** Perkakas listrik yang sesuai akan bekerja dengan lebih baik dan aman sesuai tujuan penggunaan.
- ▶ **Jangan gunakan perkakas listrik dengan switch yang tidak dapat dioperasikan.** Perkakas listrik yang

switchnya yang tidak berfungsi dapat menimbulkan bahaya dan harus diperbaiki.

- ▶ **Lepaskan steker dari sumber listrik dan/atau lepas baterai, jika dapat dilepaskan dari perkakas listrik sebelum menyatel, mengganti aksesoris, atau menyimpan perkakas listrik.** Tindakan preventif akan mengurangi risiko menghidupkan perkakas listrik secara tidak disengaja.
- ▶ **Jauhkan dan simpan perkakas listrik dari jangkauan anak-anak dan jangan biarkan orang-orang yang tidak mengetahui cara menggunakan perkakas listrik, mengoperasikan perkakas listrik.** Perkakas listrik dapat membahayakan jika digunakan oleh orang-orang yang tidak terlatih.
- ▶ **Lakukan pemeliharaan perkakas listrik dan aksesoris. Periksa komponen yang bergerak apabila tidak lurus atau terikat, kerusakan komponen, dan kondisi lain yang dapat mengganggu pengoperasian perkakas listrik. Apabila rusak, perbaiki perkakas listrik sebelum digunakan.** Kecelakaan sering terjadi karena perkakas listrik tidak dirawat dengan baik.
- ▶ **Jaga ketajaman dan kebersihan alat.** Alat pemotong dengan pisau pemotong yang tajam dan dirawat dengan baik tidak akan mudah tersangkut dan lebih mudah dikendalikan.
- ▶ **Gunakan perkakas listrik, aksesoris, dan komponen perkakas dll sesuai dengan petunjuk ini, dengan mempertimbangkan kondisi kerja dan pekerjaan yang akan dilakukan.** Penggunaan perkakas listrik untuk tujuan berbeda dari fungsinya dapat menyebabkan situasi yang berbahaya.
- ▶ **Jaga gagang dan permukaan genggam agar tetap kering, bersih, dan bebas dari minyak dan lemak.** Gagang dan permukaan genggam yang licin tidak menjamin keamanan kerja dan kontrol alat yang baik pada situasi yang tidak terduga.

Servis

- ▶ **Minta teknisi berkualifikasi untuk menyervis perkakas listrik dengan hanya menggunakan suku cadang yang identik.** Dengan demikian, hal ini akan memastikan keamanan perkakas listrik.

Petunjuk keselamatan untuk gergaji meja

Peringatan terkait perlindungan

- ▶ **Jaga pelindung agar tetap berada di tempatnya. Pelindung harus berfungsi dengan baik dan terpasang dengan benar.** Pelindung yang longgar, rusak, atau tidak berfungsi dengan benar harus diperbaiki atau diganti.
- ▶ **Selalu gunakan pelindung mata pisau, riving knife, dan perangkat anti sentakan untuk setiap pengoperasian through-cutting.** Untuk pengoperasian through-cutting yaitu bilah gergaji memotong hingga menembus benda kerja, pelindung dan perangkat keselamatan lainnya membantu mengurangi risiko cedera.

- ▶ **Segera pasang kembali sistem perlindungan setelah menyelesaikan pengoperasian (seperti pembuatan rabbet, dado, atau pemotongan ulang) yang mengharuskan melepas pelindung, riving knife, dan/atau perangkat anti sentakan.** Pelindung, riving knife, dan perangkat anti sentakan membantu mengurangi risiko cedera.
- ▶ **Pastikan bilah gergaji tidak menyentuh pelindung, riving knife, atau benda kerja sebelum gergaji dinyalakan.** Apabila bilah gergaji menyentuh benda-benda tersebut, maka dapat menyebabkan kondisi yang berbahaya.
- ▶ **Atur riving knife seperti yang telah diinstruksikan pada buku panduan pengguna.** Jarak, posisi, dan penyejajaran yang tidak benar dapat membuat riving knife tidak bekerja dengan efektif dalam mencegah sentakan.
- ▶ **Agar riving knife dan perangkat anti sentakan dapat bekerja, riving knife harus bertaut dengan benda kerja.** Riving knife dan perangkat anti sentakan menjadi tidak efektif saat memotong benda kerja yang terlalu pendek untuk disatukan dengan riving knife dan perangkat anti sentakan. Dalam kondisi ini, sentakan tidak dapat dicegah oleh riving knife dan perangkat anti sentakan.
- ▶ **Gunakan bilah gergaji yang sesuai untuk riving knife.** Agar riving knife dapat berfungsi dengan benar, diameter bilah gergaji harus sesuai dengan riving knife dan bodi bilah pisau harus lebih tipis dari riving knife, dan ketebalan pemotongan bilah gergaji harus lebih besar dari ketebalan riving knife.

Peringatan prosedur pemotongan

- ▶ **⚠️ AWAS: Jangan pernah posisikan jari atau tangan Anda di sekitar atau pada jalur bilah gergaji.** Jika Anda tidak waspada atau terpeleset, hal tersebut dapat menyebabkan tangan Anda menyentuh bilah gergaji dan menyebabkan cedera serius.
- ▶ **Hanya arahkan benda kerja ke bilah gergaji berlawanan dengan arah putaran gergaji.** Mengarahkan benda kerja searah bilah gergaji saat berputar di atas meja dapat menyebabkan benda kerja, dan tangan Anda tertarik ke arah bilah gergaji.
- ▶ **Jangan pernah gunakan pengukur miter untuk mengarahkan benda kerja ketika membelah dan jangan gunakan penahan rip sebagai pembatas panjang ketika melakukan pemotongan silang dengan pengukur miter.** Mengarahkan benda kerja dengan penahan rip dan pengukur miter secara bersamaan meningkatkan kemungkinan bilah gergaji terjepit dan menyentak.
- ▶ **Ketika membelah, selalu tekan benda kerja di antara penahan dan bilah gergaji. Gunakan tongkat dorong ketika jarak antara penahan dan bilah gergaji kurang dari 150mm, dan gunakan balok pendorong ketika jaraknya kurang dari 50mm.** Perangkat "Pembantu

pekerjaan” akan menjaga tangan Anda dalam jarak aman dari bilah gergaji.

- ▶ **Hanya gunakan tongkat dorong yang disediakan oleh produsen atau dibuat sesuai dengan instruksi.** Tongkat dorong ini memberikan jarak aman bagi tangan terhadap bilah gergaji.
- ▶ **Jangan pernah gunakan tongkat dorong yang rusak atau terpotong.** Tongkat dorong yang rusak dapat pecah dan menyebabkan tangan Anda terlepas ke arah bilah gergaji.
- ▶ **Jangan pernah lakukan pengoperasian apa pun “dengan tangan kosong”.** Selalu gunakan penahan rip atau pengukur miter untuk memosisikan dan mengarahkan benda kerja. “Bekerja dengan tangan kosong” berarti menggunakan tangan Anda untuk menopang atau mengarahkan benda kerja, alih-alih menggunakan penahan rip atau pengukur miter. Penggergajian dengan tangan kosong menyebabkan pemotongan tidak rapi, terjepit, dan sentakan.
- ▶ **Jangan pernah meraih benda apa pun di sekitar atau di atas bilah gergaji yang sedang berputar.** Meraih benda kerja dapat menyebabkan kecelakaan ketika bilah gergaji masih berputar.
- ▶ **Berikan penopang tambahan untuk benda kerja di belakang dan/atau di samping meja gergaji untuk benda kerja yang panjang dan/atau lebar agar tetap rata.** Benda kerja yang panjang dan/atau lebar seringkali berubah posisi pada tepian meja sehingga menyebabkan kehilangan kontrol, dan bilah gergaji terjepit dan menyentak.
- ▶ **Arahkan benda kerja dengan kecepatan yang stabil. Jangan teukuk atau pelintir benda kerja. Jika terjadi kemacetan, segera matikan perkakas, cabut steker lalu hilangkan penyebab kemacetan.** Bilah gergaji yang macet akibat benda kerja dapat menyebabkan sentakan atau menyebabkan mesin mati.
- ▶ **Jangan menyingkirkan potongan material ketika gergaji masih berputar.** Material tersebut dapat terjebak di antara penahan atau di dalam pelindung bilah gergaji dan bilah gergaji dapat menarik jari Anda. Matikan gergaji dan tunggu hingga bilah gergaji berhenti berputar sebelum melepas material.
- ▶ **Gunakan penahan tambahan yang menyentuh bagian atas meja ketika membelah benda kerja dengan ketebalan kurang dari 2 mm.** Benda kerja yang tipis dapat terjepit di bawah penahan rip dan menghasilkan sentakan.

Penyebab sentakan dan peringatan terkait

Sentakan adalah reaksi seketika dari benda kerja akibat bilah gergaji yang terjepit, macet, atau garis pemotongan benda kerja tidak sejajar dengan bilah gergaji atau ketika bagian dari benda kerja terjepit di antara bilah gergaji dan penahan rip atau benda lainnya yang terpasang di tempatnya.

Seringkali saat terjadi sentakan, benda kerja terangkat dari meja dari bagian belakang bilah gergaji dan terlontar ke arah operator.

Sentakan merupakan akibat dari penggunaan yang salah pada gergaji dan/atau prosedur atau syarat pengoperasian atau syarat-syarat penggunaan yang tidak tepat, namun dapat dihindari dengan melakukan tindakan pencegahan yang tepat seperti yang diberikan di bawah ini.

- ▶ **Jangan pernah berdiri searah dengan bilah gergaji. Selalu posisikan tubuh Anda di sisi yang sama dengan penahan pada sisi bilah gergaji.** Sentakan dapat melontarkan benda kerja dengan kecepatan tinggi ke arah siapa pun yang berdiri di depan atau searah dengan bilah gergaji.
- ▶ **Jangan pernah meraih ke belakang atau ke atas bilah gergaji untuk menarik atau menopang benda kerja.** Kecelakaan dengan bilah gergaji dapat terjadi atau sentakan dapat menarik jari Anda ke arah bilah gergaji.
- ▶ **Jangan pernah menahan dan menekan benda kerja yang sedang dipotong menggunakan bilah gergaji yang berputar.** Menekan benda kerja yang sedang dipotong dengan arah berlawanan dari bilah gergaji akan menyebabkan terjepit dan sentakan.
- ▶ **Sejajarkan penahan secara paralel dengan bilah gergaji.** Penahan yang tidak sejajar akan menjepit benda kerja dengan bilah gergaji dan menyebabkan sentakan.
- ▶ **Gunakan featherboard untuk mengarahkan benda kerja ke meja dan penahan ketika melakukan pemotongan tanpa menembus benda kerja, seperti membuat rabbet, dado, atau pemotongan ulang.** Featherboard membantu mengontrol benda kerja ketika terjadi sentakan.
- ▶ **Berikan penyangga pada panel yang besar untuk mengurangi risiko bilah gergaji terjepit dan tersentak.** Panel yang besar cenderung akan merosot akibat besarnya beban. Penopang harus dipasang di bawah semua bagian panel yang melewati bagian atas meja.
- ▶ **Sangat berhati-hatilah ketika memotong benda kerja yang terpelintir, tersimpul, melengkung, atau tidak memiliki tepian lurus untuk mengarahkannya dengan pengukur miter atau dengan penahan.** Benda kerja yang melengkung, tersimpul, atau terpelintir tidak stabil dan menyebabkan goresan tidak sejajar pada bilah gergaji, terjepit, dan tersentak.
- ▶ **Jangan pernah memotong lebih dari satu benda kerja, baik yang ditumpuk secara horizontal maupun vertikal.** Bilah gergaji dapat menarik salah satu benda atau lebih dan menyebabkan sentakan.
- ▶ **Saat menjalankan ulang gergaji dengan bilah gergaji pada benda kerja, pusatkan bilah gergaji pada celah pemotongan sehingga gerigi gergaji tidak masuk ke material.** Jika bilah gergaji tersangkut, benda kerja dapat terangkat dan menyebabkan sentakan ketika gergaji dinyalakan kembali.
- ▶ **Jaga bilah gergaji tetap bersih, tajam, dan lengkap. Jangan pernah gunakan bilah gergaji yang melengkung atau bilah gergaji dengan gerigi yang retak atau rusak.** Tajamkan dan pasang bilah gergaji dengan benar untuk meminimalisasi terjepit, macet, dan terjadi sentakan.

Peringatan prosedur pengoperasian gergaji meja

- ▶ **Matikan gergaji meja dan cabut steker listrik ketika melepaskan sisipan meja, mengganti bilah gergaji, atau mengatur riving knife, perangkat anti sentakan, atau pelindung bilah gergaji, dan ketika perkakas sedang tidak dalam pengawasan.** Tindakan pencegahan akan menghindari kecelakaan.
- ▶ **Jangan pernah biarkan gergaji meja beroperasi tanpa pengawasan. Matikan dan jangan tinggalkan perkakas hingga benar-benar berhenti.** Gergaji yang beroperasi tanpa pengawasan adalah bahaya yang tak terkontrol.
- ▶ **Posisikan gergaji meja di area yang datar dan dengan penerangan yang cukup sehingga keseimbangan dan pijakan yang baik dapat terjaga.** Gergaji harus dipasang di area yang memiliki cukup ruang agar dapat memegang benda kerja dengan mudah. Area yang sempit, gelap, dan dengan lantai yang tidak rata serta licin dapat menyebabkan kecelakaan.
- ▶ **Bersihkan dan buang serbuk gergaji dari bawah meja gergaji dan/atau perangkat pengumpul debu secara berkala.** Serbuk gergaji yang terkumpul mudah terbakar dan dapat menyebabkan kebakaran dengan sendirinya.
- ▶ **Gergaji meja harus terpasang dengan kuat.** Gergaji meja yang tidak terpasang dengan benar dapat bergerak atau terbalik.
- ▶ **Singkirkan alat-alat, serpihan kayu, dan lain sebagainya dari meja sebelum gergaji meja dinyalakan.** Gangguan atau potensi terjepit dapat membahayakan.
- ▶ **Selalu gunakan bilah gergaji dengan ukuran dan bentuk lubang poros yang sesuai (belah ketupat versus bulat).** Bilah gergaji yang tidak sesuai dengan perangkat keras yang terpasang pada gergaji akan bergerak tidak simetris dan mengakibatkan kehilangan kendali.
- ▶ **Jangan pernah menggunakan komponen pemasangan bilah gergaji yang rusak atau tidak tepat seperti flensa, washer bilah gergaji, baut, atau mur.** Komponen pemasangan tersebut dirancang khusus untuk gergaji Anda, untuk pengoperasian yang aman dan kinerja optimal.
- ▶ **Jangan pernah berdiri di atas gergaji meja, jangan gunakan meja gergaji sebagai pijakan.** Cedera serius dapat terjadi jika perkakas terbalik atau jika Anda menyentuh alat pemotong secara tidak sengaja.
- ▶ **Pastikan bilah gergaji terpasang agar dapat berputar ke arah yang tepat. Jangan gunakan roda gerinda, sikat kawat, atau roda abrasif pada gergaji meja.** Pemasangan bilah gergaji yang tidak tepat atau penggunaan aksesoris yang tidak disarankan dapat menyebabkan cedera serius.

Petunjuk Keselamatan tambahan

- ▶ **Pakailah sarung tangan pelindung pada waktu memasang mata gergaji.** Terdapat risiko cedera.

- ▶ **Jangan menggunakan mata gergaji berbahan baja HSS (High-speed Steel).** Mata gergaji dari bahan ini mudah patah.
- ▶ **Jangan pernah gunakan perkakas listrik tanpa meja sisipan. Ganti meja sisipan yang rusak.** Anda dapat terluka oleh mata gergaji apabila menggunakan meja sisipan yang rusak.
- ▶ **Jaga tempat pengerjaan tetap bersih.** Campuran bahan yang berserakan cukup berbahaya. Debu logam yang kecil dapat terbakar atau menimbulkan ledakan.
- ▶ **Pilih mata gergaji yang sesuai untuk bahan yang akan dikerjakan.**
- ▶ **Gunakanlah hanya mata gergaji yang sesuai dengan data yang tercantum di panduan pengoperasian dan pada perkakas listrik serta telah diuji menurut peraturan EN 847-1, dan sesuai dengan yang digambarkan.**
- ▶ **Gunakanlah hanya mata gergaji yang dianjurkan oleh produsen perkakas listrik ini dan yang sesuai dengan bahan yang dikerjakan.**
- ▶ **Arahkan benda kerja hanya pada mata gergaji yang berjalan mendekat.** Jika terbalik, dapat terjadi sentakan karena mata gergaji tersangkut pada benda yang dikerjakan.

Simbol-simbol

Simbol-simbol berikut dapat membantu Anda dalam menggunakan perkakas listrik. Pelajari dan ingat simbol-simbol berikut beserta maknanya. Pengertian yang betul dari simbol-simbol ini bisa membantu Anda untuk menggunakan perkakas listrik dengan lebih baik dan aman.

Simbol dan artinya

Jangan mendekatkan tangan Anda pada area pemotongan saat perkakas listrik beroperasi. Sentuhan pada mata gergaji dapat mengakibatkan cedera.



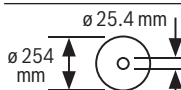
Pakailah masker pelindung debu.



Pakailah pelindung telinga. Jika Anda mendengar suara bising untuk waktu yang lama, daya pendengaran dapat berkurang.

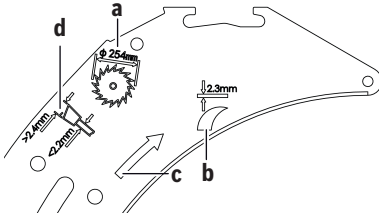


Pakailah kacamata pelindung.

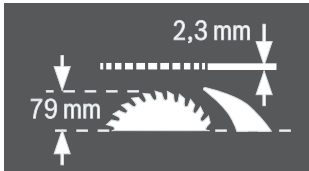


Simbol dan artinya

Perhatikanlah ukuran mata gergaji. Diameter lubang harus sesuai dengan poros perkakas dan tidak goyah. Jika penggunaan reduktor diperlukan, pastikan ukuran reduktor sesuai dengan ketebalan bilah baja, diameter lubang pada mata gergaji serta diameter poros perkakas. Sebisanya mungkin gunakan reduktor yang disediakan bersama dengan mata gergaji. Diameter mata gergaji harus sesuai dengan informasi pada simbol.



- a** Diameter mata gergaji tidak boleh lebih dari 254 mm.
- b** Ketebalan pemegang pelindung atas (riving knife) sebesar 2,3 mm.
- c** Arah pemotongan gigi (arah panah pada mata gergaji) harus sesuai dengan arah panah pada pemegang pelindung atas (riving knife).
- d** Pastikan saat mengganti mata gergaji, lebar pemotongan tidak boleh kurang dari 2,4 mm dan ketebalan bilah baja tidak boleh lebih dari 2,2 mm. Jika tidak, terdapat bahaya yakni pemegang pelindung atas (riving knife) tersangkut pada benda kerja.



Ketebalan pemegang pelindung atas (riving knife) sebesar 2,3 mm.

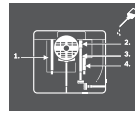
Ketinggian benda kerja maksimal sebesar 79 mm.

**sisi kiri:**

Menampilkan arah putaran engkol untuk menurunkan (**posisi pengangkutan**) dan mengangkat (**posisi pengoperasian**) mata gergaji.

Simbol dan artinya**sisi kanan:**

Menampilkan posisi tuas pengunci untuk mengunci mata gergaji dan saat mengatur sudut potong vertikal (mata gergaji dapat digerakkan).



Jika perlu, lumasi perkakas listrik pada bagian-bagian yang ditunjukkan.



Perkakas listrik dengan perlindungan kelas II diperkuat atau terisolasi ganda.



Dengan tanda CE, produsen memastikan bahwa perkakas listrik sesuai dengan pedoman EU (Directive EU) yang berlaku.

Spesifikasi produk dan performa

Bacalah semua petunjuk keselamatan dan petunjuk penggunaan. Kesalahan dalam menjalankan petunjuk keselamatan dan petunjuk penggunaan dapat mengakibatkan kontak listrik, kebakaran, dan/atau luka-luka

yang berat.

Perhatikan ilustrasi yang terdapat pada sisi sampul panduan pengoperasian.

Tujuan penggunaan

Perkakas listrik ini dirancang khusus untuk memotong dalam arah memanjang dan melintang dengan pemotongan lurus pada kayu keras dan kayu lunak serta chipboard dan fibreboard. Sudut potong horizontal dapat dilakukan mulai -60° hingga $+60^\circ$ dan sudut potong vertikal dapat dilakukan mulai -2° hingga 47° .

Jika menggunakan mata gergaji yang sesuai, perkakas listrik juga dapat digunakan untuk menggergaji profil aluminium dan bahan sintetis.

Ilustrasi komponen

Nomor-nomor dari bagian-bagian perkakas pada gambar sesuai dengan gambar perkakas listrik pada halaman bergambar.

- (1) Alur pemandu untuk mistar sejajar
- (2) Skala untuk jarak mata gergaji ke mistar sejajar
- (3) Mistar sudut
- (4) Lekukan tempat memegang
- (5) Alur pemandu untuk mistar sudut
- (6) Tutup pelindung
- (7) Meja potong
- (8) Pemegang pelindung atas (riving knife)
- (9) Pengunci sentakan^{A)}
- (10) Mistar sejajar
- (11) Alur pemandu V pada meja potong untuk mistar sejajar

- (12) Lubang-lubang untuk pemasangan
 (13) Gagang angkat
 (14) Pelebaran meja potong
 (15) Klip pengencang untuk meja kerja GTA 600
 (16) Kenop pengencang untuk pelebaran meja potong
 (17) Tuas pengunci untuk menyetel sudut potong vertikal
 (18) Alat putar tangan
 (19) Engkol untuk menaikkan dan menurunkan mata gergaji
 (20) Tutup pengaman tombol on/off
 (21) Kunci L (2 mm)
 (22) Kunci L (5 mm)
 (23) Kunci ring (23 mm)
 (24) Tuas pendorong
 (25) Sekrup untuk mengatur kekuatan penjepitan mistar sejajar
 (26) Sisipan meja
 (27) Mata gergaji
 (28) Kaca pembesar
 (29) Rel profil
 (30) Penahan kabel
 (31) Klip penahan untuk menyimpan mistar sejajar tambahan
 (32) Ejector serbuk gergaji
 (33) Adaptor pengisap
 (34) Penahan untuk menjaga tutup pelindung
 (35) Tuas penjepit untuk pemegang pelindung atas (riving knife)
 (36) Sekrup kepala heksagonal pemegang pelindung atas (riving knife)^{A)}
 (37) Pin posisi untuk pemegang pelindung atas (riving knife)
 (38) Lekukan pada sisipan meja
 (39) Tuas penjepit pada tutup pelindung
 (40) Baut pemandu tutup pelindung
 (41) Kenop pengencang mistar sejajar
 (42) Pemandu V mistar sejajar
 (43) Mistar sejajar tambahan
 (44) Set pengencangan "mistar sejajar tambahan"
 (45) Rel pemandu mistar sudut
 (46) Set pengencangan "rel profil"
 (47) Sekrup untuk memasang ejector serbuk gergaji
 (48) Tombol untuk menarik baut pemandu pengunci sentakan^{A)}
 (49) Mur penjepit
 (50) Tuas pengunci poros
 (51) Flensa penjepit
 (52) Poros perkakas
 (53) Flensaudukan
 (54) Indikator sudut (vertikal)
 (55) Skala untuk sudut potong (vertikal)
 (56) Kenop pengunci untuk menyetel sudut potong lainnya (horizontal)
 (57) Indikator sudut pada mistar sudut
 (58) Penunjuk jarak meja potong
 (59) Tombol on
 (60) Mur bergerigi untuk rel profil
 (61) Baut berkepala silang untuk mengatur batas henti 0°
 (62) Batas sudut potong 0° (vertikal)
 (63) Baut untuk indikator sudut (vertikal)
 (64) Baut berkepala silang untuk mengatur batas henti 45°
 (65) Batas sudut potong 45° (vertikal)
 (66) Sekrup kepala heksagonal (5 mm) depan untuk mengatur kesejajaran mata gergaji
 (67) Sekrup kepala heksagonal (5 mm) belakang untuk mengatur kesejajaran mata gergaji
 (68) Baut untuk penunjuk jarak meja potong
 (69) Sekrup kepala heksagonal (5 mm) untuk mengatur kesejajaran mistar sejajar
 (70) Baut untuk penunjuk jarak mistar sejajar
 (71) Sekrup untuk sisipan meja
 (72) Penahan untuk menyimpan set pengencangan "mistar sejajar tambahan"
 (73) Klip penahan untuk menyimpan adaptor pengisapan
 (74) Penahan untuk menyimpan pengunci sentakan^{A)}
 (75) Mur pengencangan untuk kunci ring dan untuk menggantung tuas pendorong
 (76) Penahan untuk menyimpan kunci L
 (77) Klip penahan untuk menyimpan mistar sudut

A) Tergantung versi negara masing-masing **3 601 M30 5C2**

Data teknis

| Mesin gergaji meja | | GTS 10 J |
|--|-------------------|----------------------|
| Nomor seri | | 3 601 M30 5.. |
| Input daya nominal | W | 1800 |
| Tegangan nominal | V | 220-240 |
| Frekuensi | Hz | 50/60 |
| Kecepatan idle | min ⁻¹ | 3650 |
| Pembatasan arus listrik pada awalan start | | ● |
| Berat sesuai dengan EPTA-Procedure 01:2014 | kg | 26,2 |
| Klasifikasi keamanan | | □ / II |

Mesin gergaji meja GTS 10 J

Dimensi (termasuk bagian perangkat yang dapat dilepas)

lebar x panjang x tinggi mm 640 x 706 x 330

Ukuran mata gergaji yang sesuai

| | | |
|--------------------------------|----|-------|
| Diameter mata gergaji | mm | 254 |
| Ketebalan lembar baja | mm | < 2,2 |
| Ketebalan/pengaturan gigi min. | mm | > 2,4 |
| Diameter lubang | mm | 25,4 |

Ukuran benda kerja maksimal: (lihat „Ukuran benda kerja maksimal“, Halaman 88)

Data-data berlaku untuk tegangan nominal [U] 230 V. Pada tegangan yang lebih rendah dan pada model khusus mancanegara data-data ini bisa berlainan.

Pemasangan

- **Hindari perkakas listrik hidup secara tidak sengaja. Selama melakukan pemasangan dan pekerjaan lainnya pada perkakas listrik, steker tidak boleh dialiri listrik.**

Lingkup pengiriman

Sebelum menggunakan perkakas listrik untuk pertama kalinya, periksalah apakah semua komponen di bawah ini disertakan:

- Mesin gergaji meja dengan mata gergaji yang terpasang **(27)** dan pemegang pelindung atas **(8)**
- Mistar sudut **(3)**
- Rel profil **(29)**
- Set pengencangan "Rel profil" **(46)** (pelat pemandu, mur bergerigi, sekrup, cincin)
- Mistar sejajar **(10)**
- Mistar sejajar tambahan **(43)**
- Set pengencangan "Mistar sejajar tambahan" **(44)** (3 sekrup pengencang, 3 cincin, 3 mur kupu-kupu)
- Tutup pelindung **(6)**
- Pengunci sentakan **(9)** (tergantung versi negara masing-masing **3 601 M30 5C2**)
- Kunci L **(22)**
- Kunci L **(21)**
- Kunci ring **(23)**
- Tuas pendorong **(24)**
- Sisipan meja **(26)**
- Adaptor pengisap **(33)**

Catatan: Periksa perkakas listrik dari kemungkinan kerusakan.

Sebelum melanjutkan menggunakan perkakas listrik, periksa dengan saksama semua komponen pelindung atau komponen yang sedikit rusak apakah komponen tersebut berfungsi dengan baik. Periksa apakah komponen yang bergerak berfungsi dengan baik dan tidak terjepit atau apakah ada komponen yang rusak. Semua bagian-bagian harus terpasang dengan benar dan memenuhi semua

persyaratan guna menjamin penggunaan perkakas listrik yang sempurna.

Komponen perlindungan dan bagian-bagian yang rusak harus diperbaiki atau diganti di bengkel yang disetujui.

Memasang komponen-komponen

- Keluarkan semua komponen yang disediakan di kemasan dengan hati-hati.
- Singkirkan semua bahan kemasan dari perkakas listrik dan dari aksesoris yang disediakan.
- Perhatikanlah supaya bahan kemasan di bawah motor penggerak sudah disingkirkan.

Komponen perangkat yang terpasang langsung pada housing: Tuas pendorong **(24)**, kunci ring **(23)**, kunci L **(22)** dan **(21)**, mistar sejajar **(10)**, mistar sudut **(3)**, adaptor pengisap **(33)**, mistar sejajar tambahan **(43)** dengan set pengencangan **(44)**, tutup pelindung **(6)**.

- Jika memerlukan salah satu komponen perangkat ini, keluarkan komponen tersebut dari tempat penyimpanannya dengan hati-hati.

Mengatur posisi pemegang pelindung atas (riving knife) (lihat gambar a1–a2)

Catatan: Jika perlu, bersihkan dulu semua komponen yang terpasang sebelum mengatur posisi pemasangan.

- Putar engkol **(19)** searah jarum jam hingga maksimal sehingga mata gergaji **(27)** berada pada posisi setinggi mungkin di atas meja potong.
- Kendurkan tuas penjepit **(35)**.
atau
tergantung versi negara **3 601 M30 5C2** : Kendurkan sekrup kepala heksagonal **(36)** dengan kunci L **(22)**.
- Dorong pemegang pelindung atas (riving knife) **(8)** ke arah tuas penjepit **(35)** hingga pemegang pelindung atas dapat ditarik ke atas.
- Tarik pemegang pelindung atas (riving knife) ke atas sehingga posisinya benar-benar berada di atas tengah-tengah mata gergaji.
- Kunci kedua pin **(37)** ke dalam lubang bagian bawah pada pemegang pelindung atas (riving knife) dan kencangkan kembali tuas penjepit **(35)** *atau* sekrup kepala heksagonal **(36)**.

Memasang sisipan meja (lihat gambar b)

- Kaitkan sisipan meja **(26)** ke dalam lekukan bagian belakang **(38)** pada poros alat.
- Arahkan sisipan meja ke bawah.
- Tekan pada sisipan meja hingga sisipan meja mengunci di dalam poros alat.

Sisi depan sisipan meja **(26)** harus terpasang sejajar atau berada sedikit di bawah meja potong, sisi belakangnya harus terpasang sejajar atau berada sedikit di atas meja potong.

Memasang tutup pelindung (lihat gambar c1–c2)

Catatan: Hanya pasang tutup pelindung jika pemegang pelindung atas (riving knife) telah benar-benar berada pada posisi teratas pada bagian tengah mata gergaji (lihat ilustrasi **a2**). Jangan memasang tutup pelindung jika pemegang

pelindung atas (riving knife) berada pada posisi terbawah (posisi pengiriman atau posisi untuk memotong mur) (lihat ilustrasi a1).

- Kendurkan tuas penjepit (39) dan lepaskan tutup pelindung (6) dari penahannya (34).
- Tahan pelindung mata gergaji (rel logam atas) pada tutup pelindung (6) dengan satu tangan sementara tangan satunya menggerakkan tuas penjepit (39) ke atas.
- Dorong baut pemandu (40) ke belakang ke dalam alur pemegang pelindung atas (riving knife) (8).
- Arahkan tutup pelindung (6) ke bawah hingga pelindung mata gergaji (rel logam atas) berada sejajar dengan permukaan atas meja potong (7).
- Tekan tuas penjepit (39) ke bawah. Tuas penjepit harus benar-benar terkunci dan tutup pelindung (6) terpasang dengan kencang.

► **Setiap sebelum digunakan, periksa apakah tutup pelindung dapat bergerak dengan baik. Jangan menggunakan perkakas listrik jika tutup pelindung tidak dapat bergerak bebas dan tidak segera menutup.**

Memasang mistar sejajar (lihat gambar d)

Mistar sejajar (10) dapat diatur posisinya di sisi kiri atau kanan dari mata gergaji.

- Kendurkan kenop pengencang (41) mistar sejajar (10). Hal ini akan membebaskan beban pada pemandu V (42).
- Pertama-tama, pasang mistar sejajar dengan pemandu V ke dalam alur pemandu (11) meja potong. Kemudian atur posisi mistar sejajar di dalam alur pemandu depan (1) meja potong.
Kini mistar sejajar dapat digeser ke arah mana saja.
- Untuk mengencangkan mistar sejajar, tekan kenop pengencang (41) ke bawah.

Memasang mistar sejajar tambahan (lihat gambar e) Untuk menggergaji benda kerja yang lebih kecil serta menggergaji sudut potong vertikal, mistar sejajar

- tambahan (43) harus dipasang pada mistar sejajar (10). Mistar sejajar tambahan dapat dipasang pada sisi kiri atau kanan pada mistar sejajar (10) sesuai keperluan. Gunakan set pengencangan "mistar sejajar tambahan" (44) untuk melakukan pemasangan (2 sekrup pemasangan, 2 cincin, 2 mur kupu-kupu).
- Dorong sekrup pemasangan melalui lubang samping pada mistar sejajar (10).
 - Kepala baut berfungsi sebagai pemandu mistar sejajar tambahan.
 - Dorong mistar sejajar tambahan (43) di atas kepala sekrup pemasangan.
 - Letakkan cincin pada sekrup pemasangan dan kencangkan sekrup menggunakan mur kupu-kupu.

Memasang mistar sudut (lihat gambar f1-f2)

- Arahkan rel pemandu (45) mistar sudut (3) ke salah satu alur pemandu (5) meja potong yang tersedia.

Untuk memudahkan peletakan benda kerja yang panjang, mistar sudut dapat diperlebar melalui rel profil (29).

- Pasang rel profil ke mistar sudut menggunakan set pemasangan (46) jika diperlukan.

Pengisap debu/serbuk gergaji

Debu dari bahan-bahan seperti cat yang mengandung timbal, beberapa jenis kayu, bahan mineral dan logam dapat berbahaya bagi kesehatan. Menyentuh atau menghirup debu tersebut dapat mengakibatkan reaksi alergi dan/atau penyakit saluran pernapasan bagi pengguna atau orang yang berada di dekatnya.

Beberapa debu tertentu seperti misalnya debu kayu pohon ek atau pohon fagus silvatica dianggap dapat mengakibatkan penyakit kanker, terutama dalam campuran dengan bahan-bahan tambahan untuk pengolahan kayu (kromat, obat pengawet kayu). Bahan-bahan yang mengandung asbestos hanya boleh dikerjakan oleh orang-orang yang ahli.

- Gunakanlah hanya pengisap debu yang cocok untuk mengisap bahan yang dikerjakan.
- Pastikan terdapat ventilasi udara yang baik di tempat kerja.
- Dianjurkan untuk memakai masker anti debu dengan filter kelas P2.

Taatilah peraturan-peraturan untuk bahan-bahan yang dikerjakan yang berlaku di negara Anda.

Pengisap debu/serbuk dapat tersumbat oleh debu, serbuk atau serpihan dari benda yang dikerjakan.

- Matikan perkakas listrik dan lepas steker dari stopkontak.
- Tunggu hingga mata gergaji benar-benar berhenti.
- Periksa penyebab tersumbatnya perkakas dan segera perbaiki.

► **Hindari debu yang banyak terkumpul di tempat kerja.**

Debu dapat tersulut dengan mudah.

► **Untuk mencegah risiko kebakaran saat menggergaji aluminium, kosongkan ejektor serbuk gergaji dan jangan menggunakan pengisap serbuk gergaji.**

Mengosongkan ejektor serbuk gergaji (lihat gambar g)

Untuk membersihkan serpihan benda kerja dan serbuk yang lebih besar, ejektor serbuk gergaji (32) dapat dikosongkan.

- Matikan perkakas listrik dan lepas steker dari stopkontak.
- Tunggu hingga mata gergaji benar-benar berhenti.
- Kendurkan sekrup pemasangan (47) menggunakan kunci L (22).
- Keluarkan ejektor serbuk gergaji (32) dan bersihkan serbuk dan serpihan benda kerja.
- Pasang kembali saluran serbuk pada perkakas listrik.

Ekstraksi debu eksternal (lihat gambar h)

Gunakan adaptor pengisap yang disertakan (33) untuk menyambungkan pengisap debu ke ejektor serbuk gergaji (32).

- Pasang adaptor pengisap (33) dan slang pengisap debu dengan kencang.

Mesin pengisap debu harus sesuai dengan bahan yang dikerjakan.

Gunakan mesin pengisap khusus saat mengisap debu yang sangat berbahaya bagi kesehatan, pemicu kanker atau debu kering.

Pemasangan stasioner atau fleksibel

► Untuk menjamin keamanan kerja, perkakas listrik harus dipasang terlebih dulu di tempat kerja yang datar dan stabil (misalnya meja kerja) sebelum digunakan.

Pemasangan di area kerja (lihat gambar i)

– Kencangkan perkakas listrik di atas meja kerja dengan sekrup yang sesuai. Untuk itu, gunakan lubang bor (12).

Pemasangan di meja kerja Bosch (lihat gambar j)

Meja kerja Bosch (mis. GTA 600) menahan kedudukan perkakas listrik di setiap permukaan dengan kaki yang dapat diatur ketinggiannya.

- Baca semua petunjuk peringatan keamanan yang tercantum untuk meja kerja. Jika petunjuk untuk keamanan kerja dan penggunaan tidak dipatuhi, dapat terjadi kontak listrik, kebakaran dan/atau cedera parah.
- Sebelum memasang perkakas listrik pada meja kerja, rakit dulu meja kerja dengan benar. Perakitan yang tepat sangat penting dilakukan agar meja kerja tidak roboh.
- Pasang perkakas listrik di meja kerja dengan posisi pengangkutan.

Mengganti mata gergaji (lihat gambar k1–k4)

- Sebelum mulai dengan pekerjaan pada perkakas listrik, tariklah steker dari stopkontak.
- Pakailah sarung tangan pelindung pada waktu memasang mata gergaji. Terdapat risiko cedera.
- Hanya selalu gunakan mata gergaji dengan kecepatan putaran maksimal yang diizinkan yang lebih tinggi daripada kecepatan putaran tanpa beban dari perkakas listrik.
- Gunakanlah hanya mata gergaji yang sesuai dengan data yang tercantum di panduan pengoperasian dan pada perkakas listrik serta telah diuji menurut peraturan EN 847-1, dan sesuai dengan yang digambarkan.
- Gunakanlah hanya mata gergaji yang dianjurkan oleh produsen perkakas listrik ini dan yang sesuai dengan bahan yang dikerjakan.
- Gunakanlah hanya mata gergaji yang dianjurkan oleh produsen perkakas listrik ini dan yang sesuai dengan bahan yang dikerjakan.
- Jangan menggunakan mata gergaji berbahan baja HSS (High-speed Steel). Mata gergaji dari bahan ini mudah patah.

Melepaskan mata gergaji

– Putar engkol (19) searah jarum jam hingga maksimal sehingga mata gergaji (27) berada pada posisi setinggi mungkin di atas meja potong.

- Buka tuas penjepit (39) lalu lepaskan tutup pelindung (6) dari alur pada pemegang pelindung atas (riving knife) (8).
- Tambahkan pada versi negara masing-masing 3 601 M30 5C2 :
Tekan tombol (48) secara bersamaan dan lepaskan pengunci sentakan (9) dari lubang dalam pemegang pelindung atas (riving knife) (8).
- Angkat sisipan meja (26) depan menggunakan obeng dan lepaskan dari poros alat.
- Putar mur penjepit (49) menggunakan kunci ring (23) sambil menarik tuas pengunci poros (50) secara bersamaan hingga terkunci.
- Tarik dan tahan tuas pengunci poros dan lepaskan mur penjepit dengan cara memutarnya berlawanan arah jarum jam.
- Lepas flensa penjepit (51).
- Lepas mata gergaji (27).

Memasang mata gergaji

Jika perlu, bersihkan dahulu semua komponen yang terpasang sebelum melakukan pemasangan.

– Pasang mata gergaji yang baru pada flensa dudukan (53) poros perkakas (52).

Catatan: Jangan menggunakan mata gergaji yang terlalu kecil. Celah radial antara mata gergaji dengan pemegang pelindung atas (riving knife) tidak boleh lebih dari 3 – 8 mm.

► Saat memasang mata gergaji, pastikan arah pemotongan gigi (arah panah pada mata gergaji) sesuai dengan arah panah pada pemegang pelindung atas (riving knife)!

- Pasang flensa penjepit (51) dan mur penjepit (49).
- Putar mur penjepit (49) menggunakan kunci ring (23) sambil menarik tuas pengunci poros (50) secara bersamaan hingga terkunci.
- Kencangkan mur penjepit dengan cara memutarnya searah jarum jam.
- Pasang kembali sisipan meja (26).
- Pasang kembali tutup pelindung (6).
- Tambahkan pada versi negara masing-masing 3 601 M30 5C2 :
Pasang kembali pengunci sentakan (9).

Pengoperasian

► Sebelum mulai dengan pekerjaan pada perkakas listrik, tariklah steker dari stopkontak.

Posisi pengangkutan dan posisi pengoperasian mata gergaji

Posisi pengangkutan

– Lepaskan tutup pelindung (6), lepaskan sisipan meja (26) dan atur posisi pemegang pelindung atas (riving knife) (8) pada posisi paling bawah. Pasang kembali sisipan meja (26).

- Putar engkol **(19)** berlawanan arah jarum jam hingga gigi mata gergaji **(27)** berada di bawah meja potong **(7)**.
- Dorong pelebaran meja potong **(14)** ke dalam sepenuhnya.
- Tekan kenop pengencang **(16)** ke bawah. Dengan demikian, pelebaran meja potong terkunci.

Posisi pengoperasian

- Atur posisi pemegang pelindung atas (riving knife) **(8)** di posisi teratas pada bagian tengah mata gergaji, pasang sisipan meja **(26)** lalu pasang tutup pelindung **(6)**.
- Putar engkol **(19)** searah jarum jam hingga gigi atas mata gergaji **(27)** berada sekitar 3 – 6 mm di atas benda kerja.

Mengatur sudut potong vertikal dan horizontal

Untuk menjamin pemotongan yang tepat, penyetulan dasar perkakas listrik harus diperiksa setelah perkakas listrik digunakan secara intensif dan jika perlu lakukan pengaturan.

Mengatur sudut potong vertikal (mata gergaji) (lihat gambar A)

Sudut potong vertikal dapat diatur dalam rentang sekitar -2° hingga 47° .

- Kendurkan tuas pengencang **(17)** berlawanan arah jarum jam.

Catatan: Jika tuas pengunci telah benar-benar dikendurkan, mata gergaji akan miring ke satu posisi sekitar 30° akibat gravitasi.

- Tarik atau tekan alat pemutar tangan **(18)** di sepanjang pemisah hingga indikator sudut **(54)** menampilkan sudut potong vertikal yang diinginkan.
- Tahan alat pemutar tangan pada posisi ini dan kencangkan kembali tuas pengunci **(17)**.

Untuk mengatur sudut standar vertikal 0° dan 45° secara cepat dan tepat, terdapat pembatas **(62), (65)** yang telah diatur dari pabrik.

Mengatur sudut potong horizontal (mistar sudut) (lihat gambar B)

Sudut potong horizontal dapat diatur dalam rentang 60° (sisi kiri) hingga 60° (sisi kanan).

- Kendurkan kenop pengunci **(56)** jika kenop dikencangkan.
- Putar mistar sudut hingga indikator sudut **(57)** menunjukkan sudut potong yang diinginkan.
- Kencangkan kembali kenop pengunci **(56)**.

Memperbesar meja potong

Benda kerja yang panjang dan berat harus dialasi atau ditopang pada ujungnya.

Pelebaran meja potong (lihat gambar C)

Pelebaran meja potong **(14)** akan memperluas area meja potong **(7)** ke kanan hingga sebesar **625** mm.

- Tarik kenop pengencang **(16)** untuk memperlebar meja potong ke atas sepenuhnya.
- Tarik pelebaran meja potong **(14)** ke luar hingga mencapai panjang yang diinginkan.

- Tekan kenop pengencang **(16)** ke bawah. Dengan demikian, pelebaran meja potong terkunci.

Mengatur mistar sejajar

Mistar sejajar **(10)** dapat diatur posisinya di sisi kiri (skala warna hitam) atau kanan (skala warna perak) dari mata gergaji. Penanda pada kaca pembesar **(28)** menampilkan jarak mistar sejajar yang diatur ke mata gergaji pada skala **(2)**.

Atur posisi mistar sejajar ke sisi mata gergaji yang diinginkan.

Mengatur mistar sejajar saat meja potong tidak ditarik ke luar

- Kendurkan kenop pengencang **(41)** mistar sejajar **(10)**. Geser mistar sejajar hingga penanda pada kaca pembesar **(28)** menunjukkan jarak yang diinginkan ke mata gergaji. Saat meja potong tidak ditarik ke luar, penanda bawah dari skala berwarna perak **(2)** akan diterapkan.
- Untuk mengencangkan, tekan kembali kenop pengencang **(41)** ke bawah.

Mengatur mistar sejajar saat meja potong tidak ditarik ke luar (lihat gambar D)

- Atur posisi mistar sejajar di sebelah kanan dari mata gergaji. Geser mistar sejajar hingga penanda pada kaca pembesar **(28)** menunjukkan skala bawah **26** cm. Untuk mengencangkan, tekan kembali kenop pengencang **(41)** ke bawah.
- Tarik kenop pengencang **(16)** untuk memperlebar meja potong ke atas sepenuhnya.
- Tarik pelebaran meja potong **(14)** ke luar hingga penunjuk jarak **(58)** menunjukkan jarak yang diinginkan ke mata gergaji pada skala atas.
- Tekan kenop pengencang **(16)** ke bawah. Dengan demikian, pelebaran meja potong terkunci.

Mengatur mistar sejajar tambahan (lihat gambar E)

Untuk menggergaji benda kerja yang lebih kecil dan menggergaji sudut potong vertikal, mistar sejajar tambahan **(43)** harus dipasang pada mistar sejajar **(10)**.

Mistar sejajar tambahan dapat dipasang pada sisi kiri atau kanan pada mistar sejajar **(10)** sesuai keperluan.

Selama penggergajian, benda kerja dapat terjepit di antara mistar sejajar dan mata gergaji, terperangkap oleh mata gergaji yang bergerak naik dan terpentil. Oleh karena itu, atur mistar sejajar tambahan sedemikian rupa hingga ujung pemandunya berakhir dalam bidang antara gigi mata gergaji yang paling depan dan sisi depan dari pemegang pelindung atas (riving knife).

- Untuk itu, kendurkan semua mur kupu-kupu dari set pemasangan **(44)** dan geser mistar sejajar tambahan hingga hanya kedua sekrup depan yang digunakan untuk mengencangkan.
- Kencangkan kembali semua mur kupu-kupu.

Mengatur pemegang pelindung atas (riving knife)

Pemegang pelindung atas (riving knife) (8) mencegah mata gergaji (27) terjepit di dalam torehan pemotongan. Terdapat bahaya terjadinya sentakan jika mata gergaji tersangkut pada benda kerja.

Oleh karena itu, selalu pastikan pemegang pelindung atas (riving knife) telah diatur dengan benar:

- Celah radial antara mata gergaji dengan pemegang pelindung atas (riving knife) tidak boleh lebih dari 3 – 8 mm.
- Ketebalan dari pemegang pelindung atas (riving knife) harus lebih kecil daripada lebar pemotongan dan lebih besar dari ketebalan bilah baja.
- Pemegang pelindung atas (riving knife) harus selalu berada pada satu garis dengan mata gergaji.
- Untuk pemotongan biasa, pemegang pelindung atas (riving knife) harus selalu berada pada posisi setinggi mungkin.

Mengatur ketinggian pemandu pelindung atas (lihat gambar F)

Untuk memotong alur, setel ketinggian pemegang pelindung atas (riving knife).

- ▶ **Hanya gunakan perkakas listrik dengan perangkat pelindung yang tepat dan sesuai (misalnya tutup pelindung yang berbentuk terowongan, ring penekan) untuk membuat lubang atau lekukan.**
 - Buka tuas penjepit (39) lalu lepaskan tutup pelindung (6) dari alur pada pemegang pelindung atas (riving knife) (8). Untuk mencegah kerusakan pada kap pelindung, simpanlah di dalam penahan yang tersedia (34) pada housing (lihat juga gambar 01).
 - Tambahkan pada versi negara masing-masing **3 601 M30 5C2** : Tekan tombol (48) secara bersamaan dan lepaskan pengunci sentakan (9) dari lubang dalam pemegang pelindung atas (riving knife) (8). Agar pengunci sentakan tersimpan dengan aman, kencangkan pengunci sentakan di dalam penahan yang tersedia (74) pada housing (lihat juga gambar 01).
 - Putar engkol (19) searah jarum jam hingga maksimal sehingga mata gergaji (27) berada pada posisi setinggi mungkin di atas meja potong.
 - Kendurkan tuas penjepit (35).
atau
tergantung versi negara masing-masing **3 601 M30 5C2** : Kendurkan sekrup kepala heksagonal (36) dengan kunci L (22).
 - Tarik pemegang pelindung atas dari pin (37) (Tarik sedikit tuas penjepit (35) ke luar) lalu dorong pemegang pelindung atas (riving knife) (8) ke bawah hingga maksimal.
 - Kunci kedua pin (37) ke dalam lubang bagian atas pada pemegang pelindung atas (riving knife) dan kencangkan kembali tuas penjepit (35).

Pengoperasian pertama kali

- ▶ **Perhatikan tegangan jaringan listrik!** Tegangan jaringan listrik harus sesuai dengan tegangan listrik yang tercantum pada label tipe perkakas listrik.

Menghidupkan (lihat gambar G1)

- Buka tutup pengaman (20) ke atas.
- Pada pengoperasian pertama kali, tekan tombol on berwarna hijau (59).
- Tutup kembali tutup pengaman (20).

Mematikan (lihat gambar G2)

- Tekan tutup pengaman (20).

Kegagalan daya

Tombol on/off adalah switch tegangan nol yang mencegah perkakas listrik menyala kembali setelah kegagalan daya (misalnya steker dicabut dari stopkontak saat pengoperasian).

Untuk mengoperasikan kembali perkakas listrik, tekan kembali tombol on berwarna hijau (59).

Petunjuk pengoperasian

Petunjuk umum untuk menggergaji

- ▶ **Pada semua pekerjaan pemotongan, pastikan mata gergaji tidak akan bersentuhan dengan sandaran-sandaran atau bagian-bagian yang lain dari perkakas listrik.**
- ▶ **Hanya gunakan perkakas listrik dengan perangkat pelindung yang tepat dan sesuai (misalnya tutup pelindung yang berbentuk terowongan, ring penekan) untuk membuat lubang atau lekukan.**
- ▶ **Jangan menggunakan perkakas listrik untuk menebas (alur yang berakhir pada benda kerja).**

Lindungilah mata gergaji terhadap benturan dan tumbukan. Jangan menekan mata gergaji dari samping.

Pemegang pelindung atas (riving knife) harus berada pada satu garis lurus dengan mata gergaji supaya benda kerja tidak tersangkut.

Jangan melakukan pengerjaan pada benda yang bengkok. Benda kerja harus selalu mempunyai pinggiran yang lurus untuk diletakkan pada mistar sejajar.

Selalu simpan tongkat pendorong pada perkakas listrik.

Posisi pengguna perkakas listrik (lihat gambar H)

- ▶ **Jangan pernah berdiri searah dengan bilah gergaji. Selalu posisikan tubuh Anda di sisi yang sama dengan penahan pada sisi bilah gergaji.** Sentakan dapat melontarkan benda kerja dengan kecepatan tinggi ke arah siapa pun yang berdiri di depan atau searah dengan bilah gergaji.
- Jauhkan tangan, jari dan lengan dari mata gergaji yang berputar.

Perhatikanlah petunjuk-petunjuk berikut:

- Pegang benda kerja dengan aman dengan kedua tangan dan tekan dengan kuat ke meja potong.

- Untuk benda kerja yang berukuran kecil dan untuk menggergaji sudut potong vertikal, selalu gunakan tuas pendorong **(24)** yang disediakan dan mistar sejajar tambahan **(43)**.

Ukuran benda kerja maksimal

| sudut potong vertikal | ketinggian maks. benda kerja [mm] |
|-----------------------|-----------------------------------|
| 0° | 79 |
| 45° | 56 |

Menggergaji

Menggergaji lurus

- Atur mistar sejajar **(10)** pada lebar pemotongan yang diinginkan.
- Letakkan benda kerja di atas meja potong di depan tutup pelindung **(6)**.
- Gunakan engkol **(19)** untuk mengangkat atau menurunkan mata gergaji setinggi atau serendah mungkin hingga gigi bagian atas mata gergaji **(27)** berada pada posisi sekitar 3 – 6 mm di atas benda kerja.
- Hidupkan perkakas listrik.
- Gergaji benda kerja dengan dorongan yang merata. Jika terlalu banyak tekanan yang diberikan, ujung mata gergaji dapat menjadi terlalu panas dan merusak benda kerja.
- Matikan perkakas listrik dan tunggu hingga mata gergaji benar-benar berhenti.

Menggergaji sudut potong vertikal

- Atur sudut potong vertikal mata gergaji yang diinginkan. Jika mata gergaji dimiringkan ke kiri, mistar sejajar **(10)** harus berada di sisi kanan mata gergaji.
- Ikuti langkah kerja sesuai: (lihat „Menggergaji lurus“, Halaman 88)

Menggergaji sudut potong horizontal (lihat gambar I)

- Atur sudut potong horizontal yang diinginkan pada mistar sudut **(3)**.
- Letakkan benda kerja pada rel profil **(29)**.
Profil tidak boleh berada pada garis pemotongan. Pada situasi ini, kendurkan mur bergerigi **(60)** dan geser rel profil.
- Gunakan engkol **(19)** untuk mengangkat atau menurunkan mata gergaji setinggi atau serendah mungkin hingga gigi bagian atas mata gergaji **(27)** berada pada posisi sekitar 3 – 6 mm di atas benda kerja.
- Hidupkan perkakas listrik.
- Tekan benda kerja pada rel profil **(29)** dengan satu tangan sementara tangan satunya berada pada kenop pengunci **(56)** untuk mendorong mistar sudut perlahan ke depan di dalam alur pemandu **(5)**.
- Matikan perkakas listrik dan tunggu hingga mata gergaji benar-benar berhenti.

Memeriksa dan mengatur pengaturan dasar

Untuk menjamin pemotongan yang tepat, penyetelan dasar perkakas listrik harus diperiksa setelah perkakas listrik digunakan secara intensif dan jika perlu lakukan pengaturan. Untuk melakukannya, diperlukan pengalaman dan perkakas khusus yang sesuai.

Pusat layanan pelanggan Bosch akan melakukan pekerjaan ini dengan cepat dan baik.

Mengatur pembatas untuk sudut potong vertikal standar 0°/45°

- Atur perkakas listrik pada posisi pengoperasian.
- Atur sudut potong vertikal mata gergaji pada sudut 0°.
- Lepas tutup pelindung **(6)**.

Memeriksa (lihat gambar J1)

- Atur mistar pengukur sudut pada 90° dan letakkan di atas meja potong **(7)**.

Kaki pengukur sudut harus sejajar dengan mata gergaji **(27)**.

Mengatur (lihat gambar J2)

- Kendurkan sekrup **(61)**. Dengan demikian, pembatas 0° **(62)** dapat digerakkan.
- Kendurkan tuas pengunci **(17)**.
- Dorong alat putar tangan **(18)** ke pembatas 0° hingga kaki pengukur sudut sejajar dengan mata gergaji.
- Tahan alat putar tangan pada posisi ini dan kencangkan kembali tuas pengunci **(17)**.
- Kencangkan kembali sekrup **(61)**.

Setelah dilakukan pengaturan, jika indikator sudut **(54)** tidak berada dalam satu garis dengan tanda 0° pada skala **(55)**, kendurkan sekrup **(63)** dengan obeng kembang dan arahkan indikator sudut ke sepanjang tanda 0°.

Ulangi langkah kerja di atas untuk sudut potong vertikal 45° (Mendurkan sekrup **(64)**; Menggeser pembatas 45° **(65)**). Indikator sudut **(54)** tidak boleh disetel kembali.

Kesejajaran mata gergaji pada alur pemandu mistar sudut (lihat gambar K)

- Atur perkakas listrik pada posisi pengoperasian.
- Lepas tutup pelindung **(6)**.

Memeriksa

- Gunakan pensil untuk menandai gigi gergaji kiri pertama yang terlihat di belakang di atas sisipan meja.
- Atur pengukur sudut sebesar 90° dan letakkan ke tepi alur pemandu **(5)**.
- Geser kaki pengukur sudut hingga menyentuh gigi gergaji yang ditandai dan bacalah jarak antara mata gergaji ke alur pemandu.
- Putar mata gergaji hingga gigi yang ditandai berada di depan di atas sisipan meja.
- Geser mistar pengukur sudut sepanjang alur pemandu sampai gigi mata gergaji yang diberi tanda.
- Ukur kembali jarak antara mata gergaji dan alur pemandu. Kedua jarak yang diukur harus sama.

Mengatur

- Kendurkan sekrup kepala heksagonal **(66)** di depan di bawah meja potong dan sekrup kepala heksagonal **(67)** di

belakang di bawah meja potong menggunakan kunci L yang tersedia (22).

- Gerakkan mata gergaji dengan hati-hati hingga mata gergaji sejajar dengan alur pemandu (5).
- Kencangkan kembali semua sekrup (66) dan (67).

Mengatur penunjuk jarak meja potong (lihat gambar L)

- Atur posisi mistar sejajar di sisi kanan dari mata gergaji. Geser mistar sejajar hingga penanda pada kaca pembesar (28) menunjukkan skala bawah 26 cm. Untuk mengencangkan, tekan kembali kenop pengencang (41) ke bawah.
- Tarik kenop pengencang (16) ke atas sepenuhnya lalu tarik pelebaran meja potong (14) ke luar hingga maksimal.

Memeriksa

Skala atas (2) pada penunjuk jarak (58) harus menampilkan nilai yang sama dengan penanda pada kaca pembesar (28) pada skala bawah (2).

Mengatur

- Tarik ke luar pelebaran meja potong (14) hingga maksimal.
- Kendurkan sekrup (68) menggunakan obeng kembang lalu arahkan penunjuk jarak (58) ke sepanjang 26 tanda cm skala atas (2).

Mengatur kesejajaran mistar sejajar (lihat gambar M)

- Atur perkakas listrik pada posisi pengoperasian.
- Lepas tutup pelindung (6).
- Kendurkan kenop pengencang (41) mistar sejajar dan geser hingga menyentuh mata gergaji.

Memeriksa

Mistar sejajar (10) harus menyentuh sepanjang mata gergaji.

Mengatur

- Kendurkan semua sekrup kepala heksagonal (69) menggunakan kunci L yang tersedia (22).
- Gerakkan mistar sejajar (10) dengan hati-hati hingga menyentuh sepanjang mata gergaji.
- Tahan mistar sejajar pada posisi ini dan tekan kembali kenop pengencang (41) ke bawah.
- Kencangkan kembali sekrup kepala heksagonal (69).

Mengatur daya penjepitan mistar sejajar

Daya jepit mistar sejajar (10) dapat menurun setelah sering digunakan.

- Kencangkan sekrup pengatur (25) hingga mistar sejajar dapat dipasang kembali pada meja gergaji dengan kencang.

Mengatur kaca pembesar mistar sejajar (lihat gambar M)

- Atur perkakas listrik pada posisi pengoperasian.
- Lepas tutup pelindung (6).
- Geser mistar sejajar (10) dari kanan hingga mistar menyentuh mata gergaji.

Memeriksa

Penanda kaca pembesar (28) harus berada segaris dengan tanda 0 mm pada skala (2).

Mengatur

- Kendurkan sekrup (70) dengan obeng kembang dan arahkan penanda ke sepanjang tanda 0 mm.

Mengatur ketinggian sisipan meja (lihat gambar N)

Memeriksa

Sisi depan sisipan meja (26) harus terpasang rata atau berada sedikit di bawah meja potong, sisi belakangnya harus terpasang rata atau berada sedikit di atas meja potong.

Mengatur

- Lepaskan sisipan meja (26).
- Menggunakan kunci L (22), atur ketinggian keempat sekrup pengatur (71) dengan tepat.

Penyimpanan dan pengangkutan

Menyimpan komponen perangkat (lihat gambar O1–O5)

Perkakas listrik memiliki tempat untuk menyimpan komponen perangkat tertentu dengan aman.

- Lepaskan mistar sejajar tambahan (43) dari mistar sejajar (10).
- Simpan semua komponen perangkat yang dilepas ke dalam tempat penyimpanan pada housing (lihat tabel berikut).

| Gam bar | Komponen perangkat | Tempat penyimpanan |
|------------|--|---|
| O1 | Tutup pelindung (6) | kaitkan ke dalam lekukan penahan (34) dan kencangkan dengan tuas penjepit (39) |
| O1 | Pengunci sentakan (9) (tergantung versi negara masing-masing 3 601 M30 5C2) | Tekan tombol (48) secara bersamaan dan kunci di dalam lubang penahan (74) |
| O2 | Set pengencangan "mistar sejajar tambahan" (44) | kaitkan ke dalam penahan (72) |
| O2 | Adaptor pengisap (33) | geser ke dalam klip penahan (73) |
| O3 | Kunci ring (23) | kencangkan menggunakan mur pengencang (75) di dalam kompartemen penyimpanan |
| O3 | Tuas pendorong (24) | kaitkan menggunakan mur pengencang (75) dan kencangkan dengan cara menggesernya |
| O4 | Mistar sejajar (10) | putar, kaitkan dari bawah ke dalam rel pemandu dan kencangkan kenop pengencang (41) |
| O5 | Kunci L (22) Kunci L (21) | geser ke dalam penahan (76) |

| Gam bar | Komponen perangkat | Tempat penyimpanan |
|------------|------------------------------|--|
| 05 | Mistar sudut (3) | geser ke dalam klip penahan (77) |
| 05 | Mistar sejajar tambahan (43) | geser ke dalam klip penahan (31) (sisi pendek menghadap atas; sisi panjang menghadap belakang) |

Mengangkat perkakas listrik

Sebelum mengangkat perkakas listrik, langkah-langkah berikut harus dilakukan:

- Posisikan perkakas listrik pada posisi pengangkutan.
 - Lepas semua komponen aksesoris yang tidak dapat dipasang dengan kencang pada perkakas listrik. Selama pengangkutan, mata gergaji yang tidak dipakai sebaiknya disimpan di dalam tempat tertutup.
 - Dorong pelebaran meja potong (14) sepenuhnya ke dalam dan tekan gagang pengencang (16) ke bawah untuk mengencangkannya.
 - Gulung kabel pada penahan kabel (30).
 - Gunakan gagang angkat (13) untuk mengangkat atau mengangkut.
- **Saat mengangkut perkakas listrik, hanya gunakan komponen transpor dan jangan pernah menggunakan komponen perlindungan.**

Perawatan dan servis

Perawatan dan pembersihan

- **Sebelum mulai dengan pekerjaan pada perkakas listrik, tariklah steker dari stopkontak.**
- **Perkakas listrik dan lubang ventilasi harus selalu dibersihkan agar perkakas dapat digunakan dengan baik dan aman.**

Jika kabel listrik harus diganti, pekerjaan ini harus dilakukan oleh **Bosch** atau Service Center untuk perkakas listrik **Bosch** resmi agar keselamatan kerja selalu terjamin.

Pembersihan

Setelah setiap penggunaan, bersihkan perkakas listrik dari debu dan serbuk dengan cara ditiup dengan udara bertekanan atau dengan kuas.

Melumasi perkakas listrik



Pelumas:

Oli mesin SAE 10/SAE 20

- Jika perlu, lumasi perkakas listrik pada bagian-bagian yang ditunjukkan (lihat gambar P).

Service Center Bosch resmi akan melakukan pengerjaan tersebut dengan cepat dan andal.

- **Buanglah zat pelumas dan pembersih berdasarkan aturan lingkungan yang berlaku. Taatilah peraturan yang berlaku.**

Tindakan untuk mengurangi kebisingan

Tindakan oleh produsen:

- Awalan start yang perlahan
 - Perkakas listrik dipasok dengan mata gergaji yang dirancang khusus untuk mengurangi kebisingan
- Tindakan oleh pengguna perkakas:
- Pasang perkakas listrik pada bidang kerja yang stabil sehingga vibrasi berkurang
 - Gunakan mata gergaji dengan fungsi mengurangi kebisingan
 - Bersihkan mata gergaji dan perkakas listrik secara berkala

Aksesoris

| | Nomor seri |
|--|---------------|
| Kantung debu | 2 610 015 511 |
| Adaptor pengisap | 2 610 015 509 |
| Adaptor Y TSVH 3 | 2 610 015 513 |
| Mistar sudut | 2 610 015 507 |
| Tuas pendorong | 2 610 015 022 |
| Meja kerja GTA 600 | 0 601 B22 001 |
| Mata gergaji untuk kayu dan material tipis, panel dan lis | |
| Mata gergaji 254 x 25,4 mm, 40 gigi | 2 608 640 901 |
| Mata gergaji 254 x 25,4 mm, 60 gigi | 2 608 640 902 |

Layanan pelanggan dan konsultasi penggunaan

Layanan pelanggan Bosch menjawab semua pertanyaan Anda tentang reparasi dan perawatan serta tentang suku cadang produk ini. Gambaran teknis (exploded view) dan informasi mengenai suku cadang dapat ditemukan di:

www.bosch-pt.com

Tim konsultasi penggunaan Bosch akan membantu Anda menjawab pertanyaan seputar produk kami beserta aksesorinya.

Jika Anda hendak menanyakan sesuatu atau memesan suku cadang, selalu sebutkan nomor model yang terdiri dari 10 angka dan tercantum pada label tipe produk.

Indonesia

PT Robert Bosch
Palma Tower 10th Floor
Jalan RA Kartini II-S Kaveling 6
Pondok Pinang, Kebayoran Lama
Jakarta Selatan 12310
Tel.: (021) 3005 5800
Fax: (021) 3005 5801
E-Mail: boschpowertools@id.bosch.com
www.bosch-pt.co.id

Alamat layanan lainnya dapat ditemukan di:

www.bosch-pt.com/serviceaddresses

Cara membuang

Perkakas listrik, aksesoris, dan kemasan sebaiknya didaur ulang secara ramah lingkungan.



Jangan membuang perkakas listrik ke dalam sampah rumah tangga!

Tiếng Việt

Hướng dẫn an toàn

Hướng dẫn an toàn chung cho dụng cụ điện

⚠ CẢNH BÁO Hãy đọc toàn bộ các cảnh báo an toàn, hướng dẫn, hình ảnh và thông số kỹ thuật được cung cấp cho dụng cụ điện cầm tay này. Không tuân thủ mọi hướng dẫn được liệt kê dưới đây có thể bị điện giật, gây cháy và /hay bị thương tật nghiêm trọng. **Hãy giữ tất cả tài liệu về cảnh báo và hướng dẫn để tham khảo về sau.**

Thuật ngữ "dụng cụ điện cầm tay" trong phần cảnh báo là để cập đến sự sử dụng dụng cụ điện cầm tay của bạn, loại sử dụng điện nguồn (có dây cắm điện) hay vận hành bằng pin (không dây cắm điện).

Khu vực làm việc an toàn

- ▶ **Giữ nơi làm việc sạch và đủ ánh sáng.** Nơi làm việc bừa bộn và tối tăm dễ gây ra tai nạn.
- ▶ **Không vận hành dụng cụ điện cầm tay trong môi trường dễ gây nổ, chẳng hạn như nơi có chất lỏng dễ cháy, khí đốt hay rác.** Dụng cụ điện cầm tay tạo ra các tia lửa nên có thể làm rác bén cháy hay bốc khói.
- ▶ **Không để trẻ em hay người đến xem đứng gần khi vận hành dụng cụ điện cầm tay.** Sự phân tâm có thể gây ra sự mất điều khiển.

An toàn về điện

- ▶ **Phích cắm của dụng cụ điện cầm tay phải thích hợp với ổ cắm.** Không bao giờ được cải biến lại phích cắm dưới mọi hình thức. Không được sử dụng phích tiếp hợp nối tiếp đất (dây mát). Phích cắm nguyên bản và ổ cắm đúng loại sẽ làm giảm nguy cơ bị điện giật.
- ▶ **Tránh không để thân thể tiếp xúc với đất hay các vật có bề mặt tiếp đất như đường ống, lò sưởi, hàng rào và tủ lạnh.** Có nhiều nguy cơ bị điện giật hơn nếu cơ thể bạn bị tiếp hay nối đất.
- ▶ **Không được để dụng cụ điện cầm tay ngoài mưa hay ở tình trạng ẩm ướt.** Nước vào máy sẽ làm tăng nguy cơ bị điện giật.
- ▶ **Không được lạm dụng dây dẫn điện.** Không bao giờ được nắm dây dẫn để xách, kéo hay rút phích cắm dụng cụ điện cầm tay. Không để dây gần nơi có nhiệt độ cao, dầu nhớt, vật nhọn bén và bộ phận chuyển động. Làm hỏng hay cuộn rối dây dẫn làm tăng nguy cơ bị điện giật.
- ▶ **Khi sử dụng dụng cụ điện cầm tay ngoài trời, dùng dây nối thích hợp cho việc sử dụng ngoài trời.** Sử dụng dây nối thích hợp cho việc sử dụng ngoài trời làm giảm nguy cơ bị điện giật.

- ▶ **Nếu việc sử dụng dụng cụ điện cầm tay ở nơi ẩm ướt là không thể tránh được, dùng thiết bị ngắt mạch tự động (RCD) bảo vệ nguồn.** Sử dụng thiết bị ngắt mạch tự động RCD làm giảm nguy cơ bị điện giật.

An toàn cá nhân

- ▶ **Hãy tỉnh táo, biết rõ mình đang làm gì và hãy sử dụng ý thức khi vận hành dụng cụ điện cầm tay.** Không sử dụng dụng cụ điện cầm tay khi đang mệt mỏi hay đang bị tác động do chất gây nghiện, rượu hay được phẫn gây ra. Một thoáng mất tập trung khi đang vận hành dụng cụ điện cầm tay có thể gây thương tích nghiêm trọng cho bản thân.
 - ▶ **Sử dụng trang bị bảo hộ cá nhân.** Luôn luôn đeo kính bảo vệ mắt. Trang bị bảo hộ như khẩu trang, giày chống trượt, nón bảo hộ, hay dụng cụ bảo vệ tai khi được sử dụng đúng nơi đúng chỗ sẽ làm giảm nguy cơ thương tật cho bản thân.
 - ▶ **Phòng tránh máy khởi động bất ngờ.** Bảo đảm công tắc máy ở vị trí tắt trước khi cắm vào nguồn điện và/hay lắp pin vào, khi nhắc máy lên hay khi mang xách máy. Ngáng ngón tay vào công tắc máy để xách hay kích hoạt dụng cụ điện cầm tay khi công tắc ở vị trí mở dễ dẫn đến tai nạn.
 - ▶ **Lấy mọi chìa hay khóa điều chỉnh ra trước khi mở điện dụng cụ điện cầm tay.** Khóa hay chìa còn gắn dính vào bộ phận quay của dụng cụ điện cầm tay có thể gây thương tích cho bản thân.
 - ▶ **Không rướn người.** Luôn luôn giữ tư thế đứng thích hợp và thẳng bằng. Điều này tạo cho việc điều khiển dụng cụ điện cầm tay tốt hơn trong mọi tình huống bất ngờ.
 - ▶ **Trang phục thích hợp.** Không mặc quần áo rộng lụng thụng hay mang trang sức. Giữ tóc và quần áo xa khỏi các bộ phận chuyển động. Quần áo rộng lụng thụng, đồ trang sức hay tóc dài có thể bị cuốn vào các bộ phận chuyển động.
 - ▶ **Nếu có các thiết bị đi kèm để nối máy hút bụi và các phụ kiện khác, bảo đảm các thiết bị này được nối và sử dụng tốt.** Việc sử dụng các thiết bị gom hút bụi có thể làm giảm các độc hại liên quan đến bụi gây ra.
 - ▶ **Không để thói quen do sử dụng thường xuyên dụng cụ khiến bạn trở nên chủ quan và bỏ qua các quy định an toàn dụng cụ.** Một hành vi bất cẩn có thể gây ra thương tích nghiêm trọng chỉ trong tích tắc.
- Sử dụng và bảo dưỡng dụng cụ điện cầm tay**
- ▶ **Không được ép máy.** Sử dụng dụng cụ điện cầm tay đúng loại theo đúng ứng dụng của bạn. Dụng cụ điện cầm tay đúng chức năng sẽ

làm việc tốt và an toàn hơn theo đúng tiến độ mà máy được thiết kế.

- ▶ **Không sử dụng dụng cụ điện cầm tay nếu như công tắc không tắt và mở được.** Bất kỳ dụng cụ điện cầm tay nào mà không thể điều khiển được bằng công tắc là nguy hiểm và phải được sửa chữa.
- ▶ **Rút phích cắm ra khỏi nguồn điện và/hay pin ra khỏi dụng cụ điện cầm tay nếu có thể tháo được, trước khi tiến hành bất kỳ điều chỉnh nào, thay phụ kiện, hay cất dụng cụ điện cầm tay.** Các biện pháp ngăn ngừa như vậy làm giảm nguy cơ dụng cụ điện cầm tay khởi động bất ngờ.
- ▶ **Cất giữ dụng cụ điện cầm tay không dùng tới nơi trẻ em không lấy được và không cho người chưa từng biết dụng cụ điện cầm tay hay các hướng dẫn này sử dụng dụng cụ điện cầm tay.** Dụng cụ điện cầm tay nguy hiểm khi ở trong tay người chưa được chỉ cách sử dụng.
- ▶ **Bảo quản dụng cụ điện cầm tay và các phụ kiện.** Kiểm tra xem các bộ phận chuyển động có bị sai lệch hay kẹt, các bộ phận bị rạn nứt và các tình trạng khác có thể ảnh hưởng đến sự vận hành của máy. Nếu bị hư hỏng, phải sửa chữa máy trước khi sử dụng. Nhiều tai nạn xảy ra do bảo quản dụng cụ điện cầm tay tồi.
- ▶ **Giữ các dụng cụ cắt bén và sạch.** Bảo quản đúng cách các dụng cụ cắt có cạnh cắt bên làm giảm khả năng bị kẹt và dễ điều khiển hơn.
- ▶ **Sử dụng dụng cụ điện cầm tay, phụ kiện, đầu cài v. v., đúng theo các chỉ dẫn này, hãy lưu ý đến điều kiện làm việc và công việc phải thực hiện.** Sự sử dụng dụng cụ điện cầm tay khác với mục đích thiết kế có thể tạo nên tình huống nguy hiểm.
- ▶ **Giữ tay cầm và bề mặt nắm luôn khô ráo, sạch sẽ và không dính dầu mỡ.** Tay cầm và bề mặt nắm trơn trượt không đem lại thao tác an toàn và kiểm soát dụng cụ trong các tình huống bất ngờ.

Bảo dưỡng

- ▶ **Đưa dụng cụ điện cầm tay của bạn đến thợ chuyên môn để bảo dưỡng, chỉ sử dụng phụ tùng đúng chủng loại để thay.** Điều này sẽ đảm bảo sự an toàn của máy được giữ nguyên.

Hướng dẫn an toàn cho máy cửa bàn

Các cảnh báo liên quan đến tấm chắn bảo vệ

- ▶ **Giữ tấm chắn bảo vệ tại chỗ.** Tấm chắn bảo vệ phải hoạt động tốt và được lắp đúng cách. Phải sửa chữa hoặc thay thế tấm chắn bảo vệ bị lỏng, bị hư hỏng, hoặc không hoạt động đúng cách.

- ▶ **Luôn sử dụng tấm chắn bảo vệ lưới cửa, chêm mở mạch cửa và thiết bị chống đẩy ngược cho mọi thao tác cắt đứt.** Đối với các thao tác cắt đứt khi lưới cửa cắt hoàn toàn qua chiều dày của phôi gia công, tấm chắn bảo vệ và các thiết bị an toàn khác sẽ giúp giảm nguy cơ gây tổn thương.
- ▶ **Gắn lại ngay lập tức hệ thống chắn bảo vệ sau khi hoàn thành một hoạt động (như cắt xoi rãnh, cắt ốp tường hoặc cắt xẻ ván) mà yêu cầu phải tháo gỡ tấm chắn bảo vệ, chêm mở mạch cửa và/hoặc thiết bị chống đẩy ngược.** Tấm chắn bảo vệ, chêm mở mạch cửa và thiết bị chống đẩy ngược giúp giảm nguy cơ gây tổn thương.
- ▶ **Đảm bảo lưới cửa không tiếp xúc với tấm chắn bảo vệ, chêm mở mạch cửa hoặc phôi gia công trước khi bật công tắc.** Sự tiếp xúc vô tình của các bộ phận này với lưới cửa có thể gây ra tình trạng nguy hiểm.
- ▶ **Điều chỉnh chêm mở mạch cửa như được mô tả trong tài liệu hướng dẫn này.** Việc đặt, định vị và căn chỉnh sai có thể làm cho chêm mở mạch cửa mất tác dụng làm giảm khả năng sinh ra lực phản hồi.
- ▶ **Để cho chêm mở mạch cửa và thiết bị chống đẩy ngược có tác dụng, cần phải gài nó vào phôi gia công.** Chêm mở mạch cửa và thiết bị chống đẩy ngược không hiệu quả khi cắt các phôi gia công có kích cỡ quá ngắn để gắn với chêm mở mạch cửa và thiết bị chống đẩy ngược. Trong trường hợp này, không thể ngăn chặn được lực phản hồi bằng chêm mở mạch cửa và thiết bị chống đẩy ngược.
- ▶ **Hãy sử dụng lưới cửa phù hợp để làm chêm mở mạch cửa.** Để chêm mở mạch cửa hoạt động đúng, đường kính lưới cửa phải vừa khớp với chêm mở mạch cửa và thân lưới cửa phải mỏng hơn độ dày của chêm mở mạch cửa và độ rộng cắt của lưới cửa phải rộng hơn độ dày của chêm mở mạch cửa.

Các cảnh báo về quy trình cắt

- ▶ **⚠ NGUY HIỂM: Không được đặt ngón tay hoặc bàn tay của bạn gần hoặc song song với lưới cửa.** Một thoáng vô tình hoặc bị trượt có thể hướng bàn tay bạn về phía lưới cửa và gây ra thương tích nghiêm trọng.
- ▶ **Chỉ đưa phôi gia công vào lưới cửa ngược với hướng xoay.** Việc đưa phôi gia công theo cùng hướng mà lưới cửa đang xoay phía trên bàn cửa có thể khiến phôi gia công và bàn tay của bạn bị cuốn vào lưới cửa.
- ▶ **Không được sử dụng cữ vát mép để nạp phôi gia công khi xẻ và không được sử dụng cữ dọc làm cữ chặn chiều dài khi cắt ngang bằng cữ vát mép.** Dẫn phôi gia công bằng cữ

đọc và cũ vát mép cùng lúc sẽ làm tăng khả năng xảy ra kẹt lưới cửa và lực phản hồi.

- ▶ **Khí xè, luôn dùng lực để nạp phôi gia công giữa cũ chặn và lưới cửa. Sử dụng que đẩy khi khoảng cách giữa cũ chặn và lưới cửa nhỏ hơn 150 mm, và sử dụng khối đẩy khi khoảng cách này nhỏ hơn 50 mm.** Các thiết bị "hỗ trợ làm việc" sẽ giữ tay bạn ở khoảng cách an toàn với lưới cửa.
- ▶ **Chỉ sử dụng que đẩy do nhà sản xuất cung cấp hoặc được chế tạo phù hợp với các hướng dẫn.** Que đẩy này tạo khoảng cách đủ an toàn từ bàn tay đến lưới cửa.
- ▶ **Không được sử dụng que đẩy bị hỏng hoặc bị đứt.** Que đẩy hỏng có thể bị gãy khiến tay bạn trượt vào lưới cửa.
- ▶ **Không thực hiện bất kỳ thao tác nào "rảnh tay". Luôn sử dụng cũ đọc hoặc cũ vát mép để định vị và dẫn phôi gia công.** "Rảnh tay" nghĩa là sử dụng bàn tay để đỡ hoặc dẫn phôi gia công, thay vì dùng một cũ chặn hoặc cũ vát mép. Cửa bằng tay dẫn đến căn chỉnh sai, kẹt và lực phản hồi.
- ▶ **Không được với xung quanh hoặc với qua lưới cửa đang quay.** Việc với một phôi gia công có thể dẫn đến tiếp xúc vô tình với lưới cửa đang chuyển động.
- ▶ **Sử dụng vật đỡ phôi gia công phụ cho phía sau và/hoặc các bên của lưới cửa đối với các phôi gia công dài và/hoặc rộng để giữ chúng cân bằng.** Một phôi gia công dài và/hoặc rộng có khuynh hướng xoay trên mép của bàn cửa, gây ra mất kiểm soát, kẹt và phản hồi lưới cửa.
- ▶ **Nạp phôi gia công ở một nhịp độ đều. Không được uốn cong hoặc xoắn phôi gia công. Nếu xảy ra kẹt, hãy tắt dụng cụ ngay lập tức, rút phích cắm dụng cụ sau đó gỡ bỏ vật kẹt.** Kẹt lưới cửa do phôi gia công có thể gây ra lực phản hồi hoặc làm ngừng chạy động cơ.
- ▶ **Không được gỡ bỏ các mảnh vật liệu cắt trong khi cửa đang chạy.** Vật liệu có thể bị kẹt giữa cũ chặn hoặc bên trong tấm chắn bảo vệ lưới cửa và lưới cửa và nó có thể cuốn ngón tay của bạn vào lưới cửa. Tắt máy cửa và chờ cho đến khi lưới cửa dừng lại trước khi gỡ vật liệu.
- ▶ **Sử dụng cũ chặn phụ tiếp xúc với mặt bàn cửa khi xè phôi gia công dày dưới 2 mm.** Phôi gia công mỏng có thể chêm dưới thanh cũ và tạo ra lực đẩy ngược.

Nguyên nhân gây ra lực phản hồi và các cảnh báo liên quan

Lực phản hồi là một lực tác động đột ngột của phôi gia công do lưới cửa bị bó, kẹt hoặc bị lệch đường cắt trên phôi gia công so với lưới cửa hoặc khi một bộ phận của phôi gia công kẹt giữa lưới cửa và cũ chặn hoặc vật thể cố định khác.

Thường xuyên nhất trong lúc có lực phản hồi, phôi gia công được nâng lên từ bàn cửa bằng phần phía sau của lưới cửa và được đẩy về phía người vận hành.

Lực phản hồi là do việc sử dụng sai và/hoặc quy trình hoặc điều kiện vận hành sai máy cửa và có thể phòng tránh bằng cách áp dụng các biện pháp phòng ngừa phù hợp được nêu dưới đây.

- ▶ **Không được đứng song song với lưới cửa. Luôn đặt cơ thể của bạn ở cùng một phía với lưới cửa như cũ chặn.** Lực phản hồi có thể đẩy phôi gia công ở tốc độ cao về phía bất cứ người nào đứng trước và song song với lưới cửa.
- ▶ **Không được với qua hoặc với ra sau lưới cửa để kéo hoặc đỡ phôi gia công.** Có thể xảy ra tiếp xúc vô tình với lưới cửa hoặc lực phản hồi có thể kéo ngón tay của bạn vào lưới cửa.
- ▶ **Không được giữ và ấn phôi gia công đang được cắt rời tựa vào lưới cửa đang quay.** Ấn phôi gia công đang cắt rời tựa vào lưới cửa sẽ gây kẹt và lực phản hồi.
- ▶ **Căn chỉnh cũ chặn song song với lưới cửa.** Cũ chặn bị lệch sẽ bó phôi gia công vào lưới cửa và tạo ra lực phản hồi.
- ▶ **Sử dụng một ván cắt vát mỏng để dẫn phôi gia công tựa vào bàn cửa và cũ chặn khi thực hiện các đường cắt không dứt như cắt xoi rãnh, cắt ổ tường hoặc cắt xẻ ván.** Ván cắt vát mỏng giúp kiểm soát phôi gia công trong trường hợp có lực phản hồi.
- ▶ **Sử dụng các panô lớn để giảm thiểu rủi ro bị kẹt lưới cửa và lực phản hồi.** Các panô lớn thường vòng xuống dưới trọng lượng riêng của chúng. (Các) vật đỡ phải được đặt dưới tất cả các phần của panô treo phía trên mặt bàn cửa.
- ▶ **Sử dụng cẩn thận khi cắt một phôi gia công bị xoắn, có mắt, vênh hoặc không có mép thẳng để dẫn hướng phôi gia công bằng cũ vát mép hoặc cũ chặn.** Một phôi gia công vênh, có mắt, hoặc bị xoắn thường gồ ghề và gây lệch rãnh cửa với lưới cửa, gây ra kẹt và lực phản hồi.
- ▶ **Không được cắt nhiều hơn một phôi gia công, được xếp chồng theo chiều dọc hoặc chiều ngang.** Lưới cửa có thể lướt một hoặc nhiều mảnh và gây ra lực phản hồi.
- ▶ **Khi khởi động lại cửa có gắn lưới cửa đang ở trong phôi gia công, chỉnh tâm lưới cửa vào đúng rãnh cửa sao cho rãnh cửa không bị mắc vào vật liệu.** Nếu lưới cửa bị kẹt, nó có thể nâng phôi gia công lên và gây ra lực phản hồi khi cửa được khởi động.
- ▶ **Giữ các lưới cửa sạch sẽ, sắc nhọn, và đủ bộ.** Không sử dụng các lưới cửa bị vênh hoặc các lưới cửa có răng bị vỡ hoặc gãy. Các lưới cửa sắc và được đặt đúng sẽ làm giảm kẹt, dừng và lực phản hồi.

Các cảnh báo về quy trình vận hành máy cưa bàn

- ▶ **Tắt máy cưa bàn và ngắt kết nối dây nguồn khi tháo chi tiết chèn bàn cưa, thay lưỡi cưa hoặc điều chỉnh cho chêm mở mạch cưa thiết bị chống đẩy ngược hoặc tấm chắn bảo vệ lưỡi cưa, và khi máy không được giám sát.** Các biện pháp phòng ngừa sẽ tránh tai nạn.
- ▶ **Không để cưa bàn chạy mà không giám sát.** Tắt và không rời khỏi dụng cụ cho đến khi nó dừng hoàn toàn. Cưa chạy không giám sát là một mối nguy hiểm không được kiểm soát.
- ▶ **Đặt máy cưa bàn trong một khu vực đủ ánh sáng và bằng phẳng nơi bạn có thể duy trì được chỗ đứng tốt và sự cân bằng tốt.** Nên lắp đặt máy cưa bàn trong một khu vực có đủ không gian để dễ dàng xử lý các phối gia công có kích thước khác nhau. Các khu vực chật hẹp, tối tăm và sàn trơn không phẳng sẽ gây ra tai nạn.
- ▶ **Thường xuyên lau chùi và loại bỏ mùn cưa ra khỏi bàn cưa và/hoặc thiết bị hút bụi.** Mùn cưa tích tụ dễ bắt lửa và có thể tự bốc cháy.
- ▶ **Bàn cưa phải được cố định chặt.** Bàn cưa không được cố định chặt đúng cách có thể di chuyển hoặc lật.
- ▶ **Gỡ bỏ các dụng cụ, vụn gỗ, v.v. ra khỏi bàn cưa trước khi bật máy cưa bàn.** Sự sao nhãng hoặc kẹt có thể gây nguy hiểm.
- ▶ **Luôn sử dụng các lưỡi cưa đúng kích cỡ và hình dáng (lưỡi kim cương khác với lưỡi tròn) của lỗ tâm.** Các lưỡi cưa không khớp với các phụ kiện cứng ghép nối của máy cưa sẽ làm lệch tâm và có thể làm mất kiểm soát.
- ▶ **Không được sử dụng các phụ kiện gắn lưỡi cưa bị hỏng hoặc không chính xác như mặt bích, vòng đệm lưỡi cưa, bu lông hoặc đai ốc.** Các phụ kiện gắn này được thiết kế đặc biệt cho cưa của bạn, để đảm bảo vận hành an toàn và hiệu suất tối ưu.
- ▶ **Không được đứng trên bàn cưa, không sử dụng nó làm bậc.** Chấn thương nghiêm trọng có thể xảy ra nếu dụng cụ bị nghiêng hoặc nếu vô tình chạm vào dụng cụ cắt.
- ▶ **Đảm bảo lưỡi cưa được lắp để xoay theo hướng thích hợp.** Không sử dụng bánh mài, bàn chải kim loại, hoặc bánh nhám trên cưa bàn. Lắp lưỡi cưa không đúng cách hoặc sử dụng các phụ kiện không được khuyến cáo có thể gây ra thương tích nghiêm trọng.

Các cảnh báo phụ thêm

- ▶ **Khi lắp ráp lưỡi cưa, hãy mang găng tay bảo hộ vào.** Việc này bao gồm nguy hiểm gây thương tích.

- ▶ **Không được sử dụng lưỡi cưa bằng thép HSS.** Những loại lưỡi cưa như vậy có thể vỡ dễ dàng.
- ▶ **Không được sử dụng dụng cụ điện mà không có chi tiết gài bàn.** Thay chi tiết gài bàn đã hỏng. Chi tiết gài bàn mà không hoàn hảo, lưỡi cưa có thể gây ra thương tích.
- ▶ **Giữ nơi làm việc của bạn sạch sẽ.** Các hỗn hợp vật liệu là đặc biệt nguy hiểm. Bụi kim loại nhẹ có thể cháy hoặc nổ.
- ▶ **Hãy chọn lưỡi cưa phù hợp cho vật liệu, mà bạn muốn gia công.**
- ▶ **Chỉ sử dụng lưỡi cưa phù hợp với các đặc tính kỹ thuật được ghi rõ trong các hướng dẫn sử dụng và trên dụng cụ điện và đã được thử nghiệm, và được đánh dấu đáp ứng tiêu chuẩn EN 847-1.**
- ▶ **Chỉ sử dụng lưỡi cưa do nhà sản xuất máy khuyến nghị, và thích hợp để cưa loại vật liệu được gia công cắt.**
- ▶ **Bạn chỉ được dẫn phối gia công tới lưỡi cưa đang chạy.** Nếu không, có nguy cơ bị lực đẩy ngược khi lưỡi cưa bị chèn chặt trong vật gia công.

Các Biểu Tượng

Các biểu tượng sau đây có khả năng diễn đạt ý nghĩa về cách sử dụng dụng cụ điện cầm tay của bạn. Xin vui lòng ghi nhận các biểu tượng và ý nghĩa của chúng. Sự hiểu đúng các biểu tượng sẽ giúp bạn sử dụng máy một cách tốt và an toàn hơn.

Biểu tượng và các ý nghĩa của chúng



Đề tay tránh khỏi phạm vi cắt khi máy đang hoạt động. Có nguy cơ gây thương tích khi chạm vào lưỡi cưa.



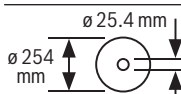
Hãy mang mặt nạ chống bụi.



Hãy mang dụng cụ bảo vệ tai. Để tai trần tiếp xúc với tiếng ồn có thể làm mất thính giác.

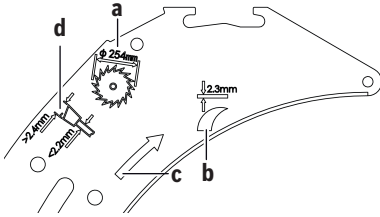


Hãy mang kính bảo hộ.



Biểu tượng và các ý nghĩa của chúng

Hãy tuân thủ kích thước của lưỡi cưa. Đường kính lỗ phải vừa vặn với trục máy của dụng cụ, không bị lỏng lẻo. Nếu cần sử dụng ống nối chuyển tiếp, hãy đảm bảo rằng các kích thước của ống nối chuyển tiếp phải phù hợp với độ dày thép lá và đường kính lỗ của lưỡi cưa cũng như đường kính của trục dụng cụ. Hãy sử dụng ống nối chuyển tiếp giao kèm với lưỡi cưa. Đường kính lưỡi cưa phải phù hợp với thông số trên biểu tượng.

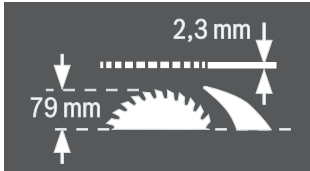


a Đường kính của lưỡi cưa tối đa cho phép là 254 mm.

b Độ dày của dao tách lớp là 2,3 mm.

c Chiều cắt của răng (chiều của mũi tên trên lưỡi cưa) phải cùng chiều với chiều mũi tên trên dao tách lớp.

d Khi thay lưỡi cưa hãy đảm bảo rằng chiều rộng cắt không nhỏ hơn 2,4 mm và độ dày lưỡi không lớn hơn 2,2 mm. Nếu không, có nguy cơ dao tách lớp bị nêch chặt trong phiá gia công.



Độ dày của dao tách lớp là 2,3 mm.

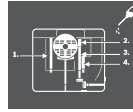
Chiều cao phiá gia công tối đa có thể là 79 mm.

**phía bên trái:**

Hiển thị hướng xoay của tay quay để hạ (Vị trí vận chuyển) và nâng (Vị trí làm việc) của lưỡi cưa.

phía bên phải:

Hiển thị vị trí của cần khóa để cố định lưỡi cưa và khi thiết lập góc xiên dọc (Lưỡi cưa có thể xoay).

Biểu tượng và các ý nghĩa của chúng

Nếu cần bôi trơn máy, đưa dụng cụ điện đến địa điểm đã được chỉ định để bảo trì.



Dụng cụ điện thuộc cấp độ bảo vệ II được tăng cường hoặc được cách điện kép.



Với ký hiệu CE, nhà sản xuất xác nhận rằng dụng cụ điện tuân thủ các chỉ thị áp dụng của EU.

Mô Tả Sản Phẩm và Đặc Tính Kỹ Thuật

Đọc kỹ mọi cảnh báo an toàn và mọi hướng dẫn. Không tuân thủ mọi cảnh báo và hướng dẫn được liệt kê dưới đây có thể bị điện giật, gây cháy và / hay bị thương tật nghiêm trọng.

Xin lưu ý các hình minh hoạt trong phần trước của hướng dẫn vận hành.

Sử dụng đúng cách

Dụng cụ điện được thiết kế để làm máy đặt cố định dùng để cắt loại gỗ cứng, gỗ mềm và cho ván ghép, ván xơ ép theo chiều dài, chiều ngang. Do đó có thể có góc vuông nằm ngang từ -60° tới $+60^\circ$ cũng như góc vuông thẳng đứng từ -2° tới 47° .

Khi sử dụng lưỡi cưa thích hợp, việc cưa nhôm định hình và nhựa cũng có thể được.

Các bộ phận được minh họa

Sự đánh số các biểu trưng của sản phẩm là để tham khảo hình minh họa của máy trên trang hình ảnh.

- (1) Rãnh dẫn hướng thanh cữ
- (2) Thước đo khoảng cách lưỡi cưa đến thanh cữ
- (3) Cờ chặn góc
- (4) Chỗ lõm để nắm
- (5) Rãnh dẫn hướng cữ chỉnh đặt góc
- (6) Nắp bảo vệ
- (7) Bàn cưa
- (8) Dao tách lớp
- (9) Van một chiều^{A)}
- (10) Dưỡng Cập Cận
- (11) Rãnh dẫn hướng V trên bàn cưa của thanh cữ
- (12) Lỗ lắp bắt
- (13) Tay Xách
- (14) Phần mở rộng bàn cưa

- (15) Phần lắp bắt giá cửa GTA 600
 (16) Quai kẹp cho phần mở rộng bàn cửa
 (17) Cần khóa điều chỉnh góc xiên
 (18) Tay quay
 (19) Cần quay để hạ và nâng lưới cửa
 (20) Nắp an toàn cho công tắc bật/tắt
 (21) Chia vận lục giác (2 mm)
 (22) Chia vận lục giác (5 mm)
 (23) Chì vận vòng (23 mm)
 (24) Cần đẩy
 (25) Vít điều chỉnh cho lực kẹp của thanh cửa
 (26) Chi tiết gài bàn
 (27) Lưới cửa
 (28) Thấu kính
 (29) Thanh biên dạng
 (30) Phần cuốn cáp
 (31) Bộ phận gá giữ để bảo quản thanh cửa bổ sung
 (32) Phun vỏ bảo
 (33) Cút nối ống hút
 (34) Giá đỡ bảo quản nắp bảo vệ
 (35) Cần kẹp của dao tách lớp
 (36) Vít lục giác chìm của dao tách lớp^{A)}
 (37) Chốt định vị của dao tách lớp
 (38) Các khe hở của chi tiết gài bàn
 (39) Cần kẹp của nắp bảo vệ
 (40) Bu lông dẫn hướng của nắp bảo vệ
 (41) Quai kẹp cố định dướng cặp cạnh
 (42) Đường dẫn chữ V của dướng cặp cạnh
 (43) Dướng cặp cạnh phụ
 (44) Bộ vít định vị „Thanh cửa phụ“
 (45) Thanh dẫn hướng cửa chỉnh đặt góc
 (46) Bộ vít định vị „Thanh biên dạng“
 (47) Vít bắt cố định phần tổng mặt cửa
 (48) Núm bấm để kéo lùi bu lông dẫn hướng của van một chiều^{A)}
 (49) Đai ốc chặn
 (50) Cần khóa trục
 (51) Bích kẹp
 (52) Trục máy
 (53) Mặt bích tiếp nhận
 (54) Vạch chỉ độ góc (đứng)
 (55) Thước đo góc xiên (đứng)
 (56) Núm khóa dành cho các góc vật khác nhau (ngang)
 (57) Kim chỉ góc trên cửa chỉnh đặt góc
 (58) Kim chỉ khoảng hở bàn cửa
 (59) Núm bật
- (60) Đai ốc vân khía thanh biên dạng
 (61) Vít bốn cạnh để điều chỉnh cửa chặn 0°
 (62) Cửa chặn cho góc xiên 0° (đứng)
 (63) Vít bắt vạch chỉ độ góc (đứng)
 (64) Vít bốn cạnh để điều chỉnh cửa chặn 45°
 (65) Cửa chặn cho góc xiên 45° (đứng)
 (66) Các vít lục giác chìm (5 mm) phía trước để điều chỉnh sự song song của lưới cửa
 (67) Các vít lục giác chìm (5 mm) phía sau để điều chỉnh sự song song của lưới cửa
 (68) Vít bắt kim chỉ khoảng hở của bàn cửa
 (69) Các vít lục giác chìm (5 mm) để điều chỉnh sự song song của thanh cửa
 (70) Vít bắt kim chỉ khoảng hở của dướng cặp cạnh
 (71) Các vít điều chỉnh của chi tiết gài bàn
 (72) Giá đỡ để bảo quản bộ vít định vị „Thanh cửa phụ“
 (73) Bộ phận gá giữ để bảo quản bộ thích ứng hút
 (74) Giá Đỡ để bảo quản van một chiều^{A)}
 (75) Đai ốc siết giữ cố định chia vận vòng và gắn cần đẩy
 (76) Giá đỡ để bảo quản chia vận lục giác
 (77) Bộ phận gá giữ để bảo quản cửa chặn góc

A) Phiên bản ở từng nước **3 601 M30 5C2**

Thông số kỹ thuật

| Cửa Bàn | | GTS 10 J |
|---|-------------------|----------------------|
| Mã số máy | | 3 601 M30 5.. |
| Công suất vào danh định | W | 1800 |
| Điện thế danh định | V | 220-240 |
| Chu kỳ | Hz | 50/60 |
| Tốc độ không tải | min ⁻¹ | 3650 |
| Làm giảm cường độ dòng điện khi khởi động | | ● |
| Trọng lượng theo Qui trình EPTA-Procedure 01:2014 | kg | 26,2 |
| Cấp độ bảo vệ | | □/II |
| Kích thước (bao gồm dụng cụ phụ trợ có thể tháo) | | |
| Chiều rộng x chiều sâu x chiều cao | mm | 640 x 706 x 330 |
| Kích thước lưới cửa phù hợp | | |
| Đường kính lưới cửa | mm | 254 |
| Độ dày lưới | mm | < 2,2 |
| Độ dày răng cửa/phân bổ, tối thiểu | mm | > 2,4 |

Cửa Bàn **GTS 10 J**

| | | |
|-----------------|----|------|
| Lỗ lắp lưới cắt | mm | 25,4 |
|-----------------|----|------|

Kích thước phối gia công tối đa: (xem „Kích thước phối gia công tối đa“, Trang 101)

Các giá trị đã cho có hiệu lực cho điện thế danh định [U] 230 V. Đối với điện thế thấp hơn và các loại máy dành riêng cho một số quốc gia, các giá trị này có thể thay đổi.

Sự lắp vào

- ▶ **Phòng ngừa máy khởi động bất ngờ. Trong khi lắp ráp hay có việc làm gì trên máy, phích cắm điện phải được rút ra khỏi nguồn cấp điện.**

Các món được giao

Trước khi vận hành lần đầu, hãy kiểm tra dụng cụ điện xem tất cả các bộ phận theo thiết kế có được cung cấp đầy đủ không:

- Cửa bàn với lưới cửa được lắp (27) và dao tách lớp (8)
- Cờ chặn góc (3)
- Thanh biên dạng (29)
- Bộ vít định vị „Thanh biên dạng“ (46) (Tấm dẫn hướng, đai ốc khóa, vít, vòng đệm)
- Thanh cờ (10)
- Thanh cờ phụ (43)
- Bộ vít định vị „Thanh cờ phụ“ (44) (3 Vít cố định, 3 vòng đệm, 3 đai ốc tai hồng)
- Nắp bảo vệ (6)
- Van một chiều (9) (Phiên bản tại Đài Loan 3 601 M30 5C2)
- Chia vận lục giác (22)
- Chia vận lục giác (21)
- Chia vận vòng (23)
- Cần đẩy (24)
- Chi tiết gài bàn (26)
- Bộ thích ứng hút (33)

Lưu ý: Hãy kiểm tra dụng cụ điện xem có hư hỏng nào không.

Trước khi tiến hành sử dụng máy, kiểm tra cẩn thận xem tất cả các chi tiết dùng bảo vệ hay các bộ phận bị hư hỏng nhẹ có hoạt động tốt và theo đúng quy định không. Tất cả các hư hỏng nhẹ phải được kiểm tra cẩn thận để bảo đảm sự hoạt động của dụng cụ được hoàn hảo. Tất cả các bộ phận phải được lắp ráp đúng cách và tất cả các điều kiện cần có phải được đáp ứng đúng và đủ để bảo đảm sự hoạt động được hoàn hảo.

Các chi tiết bảo vệ và các bộ phận hư hỏng phải được thay ngay thông qua một trung tâm bảo hành-bảo trì được ủy nhiệm.

Lắp Ráp Các Thành Phần Chi Tiết

- Lấy tất cả các bộ phận được giao kèm theo máy ra khỏi bao bì một cách cẩn thận.

- Lấy tất cả các gói tài liệu hướng dẫn và các phụ kiện giao kèm ra khỏi máy.

- Bảo đảm rằng tập tài liệu nằm bên dưới khởi động cơ (mô-tơ) đã được lấy ra.

Gắn những dụng cụ phụ trợ sau đây lên vỏ: Cần đẩy (24), chia vận vòng (23), chia vận lục giác (22) và (21), thanh cờ (10), cờ chặn góc (3), bộ thích ứng hút (33), thanh cờ phụ (43) với bộ vít định vị (44), nắp bảo vệ (6).

- Ngay khi bạn cần một dụng cụ phụ trợ, hãy tháo cẩn thận ra khỏi vị trí cất giữ.

Định vị dao tách lớp (xem hình a1–a2)

Hướng dẫn: Nếu thấy cần, làm sạch tất cả các bộ phận sắp lắp vào trước khi định vị.

- Hãy xoay tay quay (19) theo chiều kim đồng hồ cho đến cờ chặn, để lưới cửa (27) nằm trong vị trí cao nhất có thể trên bàn cửa.
- Nới lỏng cần kẹp (35).
hoặc
Phiên bản ở từng nước 3 601 M30 5C2 : Nhả: Hãy nhả vít lục giác chìm (36) bằng chia vận lục giác (22).
- Hãy đẩy dao tách lớp (8) theo chiều cần kẹp (35), đến khi nó được kéo lên trên.
- Hãy kéo dao tách lớp lên trên, để nó được đặt chính xác qua phần giữa của lưới cửa.
- Hãy cho khớp cả hai chân cắm (37) vào các lỗ khoan dưới ở dao tách lớp và siết chặt cần kẹp (35) *hoặc* vít lục giác chìm (36).

Lắp chi tiết gài bàn (xem Hình b)

- Hãy móc chi tiết gài bàn (26) vào các khe hở sau (38) của trục dụng cụ.
- Đẩy chi tiết gài bàn xuống dưới.
- Hãy ấn lên chi tiết gài bàn, cho đến khi nó khớp vào trục dụng cụ phía trước.

Mặt trước của chi tiết gài bàn (26) phải nằm ngang bằng hoặc ở bên dưới bàn cửa một chút, mặt dưới phải nằm ngang bằng hoặc ở bên trên bàn cửa một chút.

Lắp nắp bảo vệ (xem Hình c1–c2)

Hướng dẫn: Chỉ lắp nắp bảo vệ, nếu dao tách lớp được đặt ở vị trí trên cùng qua phần giữa của lưới cửa (xem Hình minh họa a2). Không lắp nắp bảo vệ, nếu dao tách lớp ở vị trí dưới cùng (Tình trạng giao hàng hoặc vị trí cửa rãnh) (xem Hình minh họa a1).

- Nới lỏng cần kẹp (39) và lấy nắp bảo vệ ra (6) khỏi giá đỡ (34).
- Giữ chặt bộ phận bảo vệ lưới cửa của nắp bảo vệ bằng một tay (ray kim loại trên) (6) và giữ cần kẹp (39) hướng lên trên bằng tay kia.
- Hãy đẩy bu lông dẫn hướng (40) ra sau vào rãnh của dao tách lớp (8).

- Hãy dẫn nắp bảo vệ (6) xuống dưới, đến khi bộ phận bảo vệ lưới cửa (ray kim loại trên) **song song** với bề mặt của bàn cửa (7).
- Ấn cần khóa giữ cố định (39) xuống. Cần kẹp phải khớp có thể cảm nhận có hoặc nghe rõ và nắp bảo vệ (6) phải được lắp chặt và an toàn.
- ▶ **Vui lòng kiểm tra xem nắp bảo vệ có chuyển động trơn tru không trước khi sử dụng. Không sử dụng dụng cụ điện, nếu nắp bảo vệ chuyển động không tự do và không đóng ngay lập tức.**

Lắp thanh cũ (xem Hình d)

Thanh cũ (10) có thể được lắp ở bên trái hoặc bên phải từ lưới cửa.

- Nới lỏng quai kẹp (41) của thanh cũ (10). Vì vậy, thanh dẫn hướng V (42) được khớp vào.
- Trước hết hãy lắp thanh cũ có thanh dẫn hướng V vào rãnh dẫn hướng (11) của bàn cửa. Sau đó hãy định vị thanh cũ trong rãnh dẫn hướng trước (1) của bàn cửa. Đường cặp cạnh giờ đây có thể chuyển dịch về bất kỳ vị trí nào.
- Để siết chặt thanh cũ hãy ấn tay kẹp (41) xuống dưới.

Lắp thanh cũ phụ (xem Hình e)

Để cửa chi tiết gia công hẹp và cửa góc chéo thẳng đứng bạn phải lắp thanh cũ bổ sung (43) vào thanh cũ (10).

Thanh cũ phụ có thể được lắp bên trái hoặc bên phải ở thanh cũ (10) tùy theo nhu cầu.

Sử dụng bộ vít định vị „Thanh cũ phụ“ (44) để lắp (2 Vít cố định, 2 vòng đệm, 2 đai ốc tai hồng).

- Hãy đẩy vít cố định qua lỗ khoan bên ở thanh cũ (10).
- Đầu các bu-lông được sử dụng như một vật dẫn hướng cho đường cặp cạnh phụ.
- Hãy đẩy thanh cũ phụ (43) qua các đầu của vít cố định.
- Đặt vòng đệm lên vít định vị và siết chặt vít bằng đai ốc tai hồng.

Lắp cũ chặn góc (xem Hình f1–f2)

- Hãy dẫn ray (45) của cũ chặn góc (3) vào một trong các rãnh dẫn hướng cho sẵn (5) của bàn cửa.

Để tạo các phiôi gia công dài tốt hơn, cũ chặn góc có thể được mở rộng bằng thanh biên dạng (29).

- Lắp thanh biên dạng nhờ bộ vít định vị (46) vào cũ chặn góc nếu cần.

Hút Dăm/Bụi

Mạt bụi từ các vật liệu được sơn phủ ngoài có chứa chì trên một số loại gỗ, khoáng vật và kim loại có thể gây nguy hại đến sức khỏe con người. Dụng cụ chạm hay hít thở các bụi này có thể làm người sử dụng hay đứng gần bị dị ứng và/hoặc gây nhiễm

trùng hệ hô hấp.

Một số hạt bụi cụ thể, ví dụ như bụi gỗ sồi hay dầu, được xem là chất gây ung thư, đặc biệt là có liên quan đến các chất phụ gia dùng xử lý gỗ (chất cromat, chất bảo quản gỗ). Có thể chỉ nên để thợ chuyên môn gia công các loại vật liệu có chứa amiăng.

- Cách xa ở mức có thể được, sử dụng hệ thống hút thích hợp cho loại vật liệu.
- Tạo không khí thông thoáng nơi làm việc.
- Khuyến nghị nên mang mặt nạ phòng độc có bộ lọc cấp P2.

Tuân thủ các qui định của quốc gia bạn liên quan đến loại vật liệu gia công.

Sự hút bụi/dầm có thể bị bụi, dăm hay các mảnh nhỏ của vật gia công làm cho tắc nghẽn lại.

- Tắt máy và kéo phích cắm điện nguồn ra khỏi ổ cắm.
- Hãy chờ cho đến khi lưới cửa dừng hẳn.
- Xác định nguyên nhân làm tắc nghẽn và chỉnh sửa lại.

- ▶ **Tránh không để rác tích tụ tại nơi làm việc.** Rác có thể dễ dàng bắt lửa.

- ▶ **Để tránh nguy cơ cháy khi cửa nhôm, hãy trút sạch phần tổng mặt cửa và không sử dụng hút vô bào.**

Trút sạch phần tổng mặt cửa (xem hình g)

Để loại bỏ các mảnh gầy của phiôi gia công và các vỏ bào lớn, bạn có thể trút sạch phần tổng mặt cửa (32).

- Tắt máy và kéo phích cắm điện nguồn ra khỏi ổ cắm.
- Hãy chờ cho đến khi lưới cửa dừng hẳn.
- Nới lỏng vít cố định (47) bằng chìa vặn lục giác (22).
- Hãy kéo phần tổng mặt cửa (32) ra và loại bỏ mảnh gầy phiôi gia công và vỏ bào.
- Lắp bộ phận tổng mặt cửa vào lại dụng cụ điện.

Hút bụi bên ngoài (xem Hình h)

Hãy sử dụng bộ thích ứng hút giao kèm (33), để kết nối máy hút bụi với phần tổng mặt cửa (32).

- Hãy gắn chặt bộ thích ứng hút (33) và ống máy hút bụi.

Máy hút bụi phải thích hợp dành cho loại vật liệu đang gia công.

Khi hút bụi khô loại đặc biệt gây nguy hại đến sức khỏe hoặc gây ra ung thư, hãy sử dụng máy hút bụi loại chuyên dụng.

Lắp bắt cố định hay linh hoạt

- ▶ **Để bảo đảm sự điều khiển được an toàn, máy phải được lắp bắt lên trên một bề mặt phẳng và vững chãi (vd. bàn thợ) trước khi sử dụng.**

Lắp ráp trên bề mặt gia công (xem hình i)

- Bắt chắc dụng cụ điện bằng loại vít lắp bắt thích hợp lên trên bề mặt gia công. Các lỗ khoan dùng cho mục đích này (12).

Lắp ráp trên giá cửa Bosch (Xem Hình j)

Với các chân có thể điều chỉnh được chiều cao, giá cửa Bosch (ví dụ **GTA 600**) tạo được sự vững chắc cho dụng cụ điện khi đặt trên bất kỳ bề mặt nào.

- ▶ **Hãy đọc mọi cảnh báo và hướng dẫn đính kèm giá cửa.** Không tuân thủ các cảnh báo an toàn và hướng dẫn có thể dẫn đến việc bị điện giật, cháy và/hoặc gây ra thương tích nghiêm trọng.
- ▶ **Lắp ráp giá cửa đúng cách trước khi gắn dụng cụ điện.** Sự lắp ráp hoàn hảo là quan trọng để ngăn ngừa nguy cơ bị sập.
- Gắn lắp dụng cụ điện lên giá cửa ở tư thế vận chuyển.

Thay lưỡi cưa (xem Hình k1–k4)

- ▶ **Trước khi tiến hành bất cứ việc gì trên máy, kéo phích cắm điện nguồn ra.**
- ▶ **Khi lắp ráp lưỡi cưa, hãy mang găng tay bảo hộ vào.** Việc này bao gồm nguy hiểm gây thương tích.
- ▶ **Chỉ sử dụng lưỡi cưa có tốc độ tối đa cho phép cao hơn tốc độ không tải của dụng cụ điện.**
- ▶ **Chỉ sử dụng lưỡi cưa phù hợp với các đặc tính kỹ thuật được ghi rõ trong các hướng dẫn sử dụng và trên dụng cụ điện và đã được thử nghiệm, và được đánh dấu đáp ứng tiêu chuẩn EN 847-1.**
- ▶ **Chỉ sử dụng lưỡi cưa do nhà sản xuất máy khuyến nghị, và thích hợp để cưa loại vật liệu được gia công cắt.**
- ▶ **Chỉ sử dụng lưỡi cưa do nhà sản xuất máy khuyến nghị, và thích hợp để cưa loại vật liệu được gia công cắt.**
- ▶ **Không được sử dụng lưỡi cưa bằng thép HSS.** Những loại lưỡi cưa như vậy có thể vỡ dễ dàng.

Tháo Lưỡi Cưa

- Hãy xoay tay quay (19) theo chiều kim đồng hồ cho đến cỡ chặn, để lưỡi cưa (27) nằm trong vị trí cao nhất có thể trên bàn cưa.
- Mở cần kẹp (39) và kéo nắp bảo vệ (6) khỏi rãnh trên dao tách lớp (8).
- Bổ sung cho phiên bản ở từng nước **3 601 M30 5C2** :
Hãy ấn khay bấm (48) và kéo van một chiều (9) ra khỏi lỗ khoan trong dao tách lớp (8).
- Hãy nâng chi tiết gài bàn bằng tuốc nơ vít (26) phía trước và tháo ra khỏi trục dụng cụ.

- Vận đai ốc chặn (49) bằng chia vận vòng (23) và đồng thời kéo khóa hãm trục (50), cho đến khi khớp vào.
- Giữ cần khóa trục ở tư thế kéo và tháo đai ốc kẹp ra, vận theo chiều ngược chiều kim đồng hồ.
- Tháo bích kẹp (51).
- Tháo lưỡi cưa (27).

Lắp Lưỡi Cưa

Nếu thấy cần, làm sạch tất cả các bộ phận sắp lắp vào trước khi ráp.

- Lắp lưỡi cưa mới vào lên trên mặt bích tiếp nhận (53) của trục máy (52).

Hướng dẫn: Không sử dụng lưỡi cưa quá nhỏ. Khe hở hướng tâm giữa lưỡi cưa và dao tách lớp chỉ được phép tối đa là 3 – 8 mm.

- ▶ **Khi lắp lưỡi cưa, hãy lưu ý rằng chiều cắt của răng (chiều của mũi tên trên lưỡi cưa) cùng chiều với chiều mũi tên trên dao tách lớp!**
- Đặt lên trên bích kẹp (51) và đai ốc chặn (49).
- Vận đai ốc chặn (49) bằng chia vận vòng (23) và đồng thời kéo khóa hãm trục (50), cho đến khi khớp vào.
- Siết chặt đai ốc kẹp theo chiều kim đồng hồ.
- Đặt chi tiết gài bàn (26) lại.
- Lắp nắp bảo vệ (6) lại.
- Bổ sung cho phiên bản ở từng nước **3 601 M30 5C2** :
Lắp lại van một chiều (9).

Vận Hành

- ▶ **Trước khi tiến hành bất cứ việc gì trên máy, kéo phích cắm điện nguồn ra.**

Vị trí vận chuyển và làm việc của lưỡi cưa**Vị trí dùng chuyển vận**

- Hãy tháo nắp bảo vệ (6), tháo chi tiết gài bàn (26) và định vị dao tách lớp (8) trong vị trí dưới. Đặt chi tiết gài bàn (26) lại.
- Hãy xoay tay quay (19) ngược chiều kim đồng hồ, đến khi răng của lưỡi cưa (27) ở bên dưới bàn cưa (7).
- Đẩy bàn cưa mở rộng (14) hết vào trong. Ấn tay kẹp (16) xuống dưới. Để cố định phần mở rộng của bàn cưa.

Vị Trí Làm Việc

- Định vị dao tách lớp (8) vào vị trí trên cùng qua phần giữa của lưỡi cưa, đặt chi tiết gài bàn (26) vào và lắp nắp bảo vệ (6).
- Hãy xoay tay quay (19) theo chiều kim đồng hồ, đến khi răng trên của lưỡi cưa (27) ở bên trên phiôi gia công khoảng 3 – 6 mm.

Điều chỉnh ngang và dọc góc vít ngang

Để bảo đảm đường cắt chính xác, sự điều chỉnh cơ bản của máy phải được kiểm tra và điều chỉnh lại như là việc cần thiết sau khi hoạt động cao độ.

Điều chỉnh góc vít dọc (lưỡi cưa) (xem hình A)

Góc xiên đứng có thể được điều chỉnh trong phạm vi từ -2° đến 47° .

– Nhả tay gạt siết (17) ngược chiều kim đồng hồ.

Hướng dẫn: Khi nhả hoàn toàn cần khóa, lưỡi cưa sẽ nghiêng vào một vị trí tương ứng khoảng 30° bằng trọng lực.

– Hãy kéo và ấn nút điều khiển (18) dọc theo ụ trượt, đến khi chỉ báo góc (54) chỉ rõ góc vít dọc mong muốn.

– Giữ nút điều khiển ở nguyên vị trí này và siết chặt cần khóa (17) lại như trước.

Để điều chỉnh nhanh và chính xác góc tiêu chuẩn dọc 0° và 45° , phải có các cỡ chặn được điều chỉnh ((62), (65)).

Điều chỉnh góc vít ngang (cỡ chặn góc) (xem hình B)

Có thể điều chỉnh góc vít ngang trong phạm vi từ 60° (bên trái) đến 60° (bên phải).

– Nới lỏng nút khóa (56) trong trường hợp đã được siết chặt.

– Xoay cỡ chặn góc, cho đến khi chỉ báo góc (57) chỉ rõ góc vít mong muốn.

– Siết chặt nút khóa (56) lại như trước.

Tăng Kích Thước của Bàn Cưa

Các chi tiết gia công dài và/hay nặng phải được kê đỡ ở phần đầu trống.

Phần mở rộng bàn cưa (xem hình C)

Phần mở rộng bàn cưa (14) sẽ mở rộng bàn cưa (7) sang bên phải tối đa 625 mm.

– Kéo tay kẹp (16) của phần mở rộng bàn cưa lên hoàn toàn.

– Kéo bàn cưa mở rộng (14) ra ngoài cho đến khi đạt được độ dài mong muốn.

– Ấn tay kẹp (16) xuống dưới. Để cố định phần mở rộng của bàn cưa.

Điều Chỉnh Dưỡng Cặp Cận

Thanh cữ (10) có thể được đặt ở bên trái (thước màu đen) hoặc bên phải (thước màu bạc) từ lưỡi cưa. Đánh dấu trong thấu kính (28) hiển thị khoảng cách được thiết lập của thanh cữ tới lưỡi cưa trên thước đo (2).

Hãy định vị thanh cữ sang phía mong muốn của lưỡi cưa.

Điều chỉnh thanh cữ

khí bàn cưa không được kéo ra

– Nới lỏng quai kẹp (41) của thanh cữ (10). Di chuyển thanh cữ, đến khi đánh dấu trong thấu

kính (28) hiển thị khoảng cách mong muốn đến lưỡi cưa.

Nhấn bên dưới của thước màu bạc được áp dụng khi bàn cưa không kéo ra (2).

– Để cố định hãy ấn tay kẹp (41) xuống dưới.

Điều chỉnh thanh cữ

khí bàn cưa được kéo ra (xem Hình D)

– Đặt dưỡng cặp cận lên bên phải của lưỡi cưa.

Di chuyển thanh cữ, đến khi đánh dấu trong thấu kính (28) hiển thị 26 cm trên thước bên dưới.

Để cố định hãy ấn tay kẹp (41) xuống dưới.

– Kéo tay kẹp (16) của phần mở rộng bàn cưa lên hoàn toàn.

– Hãy kéo phần mở rộng bàn cưa (14) ra ngoài, đến khi kim chỉ khoảng hở (58) hiển thị khoảng cách mong muốn tới lưỡi cưa trên thước trên.

– Ấn tay kẹp (16) xuống dưới.

Để cố định phần mở rộng của bàn cưa.

Điều chỉnh thanh cữ phụ (xem hình E)

Để cưa chi tiết gia công hẹp và cưa góc chéo thẳng đứng bạn phải lắp thanh cữ bổ sung (43) vào thanh cữ (10).

Thanh cữ phụ có thể được lắp bên trái hoặc bên phải ở thanh cữ (10) tùy theo nhu cầu.

Khi cưa vật liệu, các vật gia công này có thể bị kẹt giữa dưỡng cặp cận và lưỡi cưa, bị lưỡi cưa đang quay ghim vào, và bị đẩy văng ra khỏi máy.

Ví thể, điều chỉnh dưỡng cặp cận phụ theo cách sao cho đầu dẫn của dưỡng được đặt giữa răng trước của lưỡi cưa và đầu cạnh của dao tách lớp.

– Muốn vậy, hãy nới lỏng tất cả đai ốc tai hồng của bộ vít định vị (44) và dịch chuyển thanh cữ phụ, đến khi chỉ còn hai vít trước dùng để cố định.

– Siết chặt các đai ốc tai chuẩn lại.

Điều Chỉnh Dao Tách Lớp

Dao tách lớp (8) ngăn không cho lưỡi cưa (27) bị kẹt vào vết rạch. Nếu không, có nguy cơ bị đội ngược và lưỡi cưa bị nêm chặt trong vật gia công. Luôn luôn lưu ý rằng dao tách lớp đã được điều chỉnh đúng cách:

– Khe hở hướng tâm giữa lưỡi cưa và dao tách lớp chỉ được phép tối đa là 3 – 8 mm.

– Độ dày của dao tách lớp phải nhỏ hơn bề rộng cắt và lớn hơn bề dày của lưỡi.

– Dao tách lớp phải luôn luôn cùng nằm thẳng hàng với lưỡi cưa.

– Đối với sự cất rời bình thường, dao tách lớp phải luôn luôn nằm ở vị trí cao nhất có thể được.

Điều chỉnh chiều cao của dao tách lớp (xem hình F)

Để cưa rãnh, phải điều chỉnh lại chiều cao của dao tách lớp.

- ▶ **Chỉ dùng dụng cụ điện để khía rãnh hoặc tạo nếp với thiết bị bảo vệ phù hợp (ví dụ nắp bảo vệ dạng hãm, vành chặn).**
- Mở cần kẹp (39) và kéo nắp bảo vệ (6) khỏi rãnh trên dao tách lớp (8).
Để bảo vệ chắn bảo vệ lưỡi khỏi bị hư hỏng, hãy gắn vào giá đỡ cho sẵn (34) trên vỏ (xem Hình O1).
- Bỏ sung cho phiên bản ở từng nước
3 601 M30 5C2 :
Hãy ấn khay bấm (48) và kéo van một chiều (9) ra khỏi lỗ khoan trong dao tách lớp (8).
Để gắn chặt van một chiều, hãy cố định vào giá đỡ cho sẵn (74) trên vỏ (xem Hình O1).
- Hãy xoay tay quay (19) theo chiều kim đồng hồ cho đến cỡ chặn, để lưỡi cưa (27) nằm trong vị trí cao nhất có thể trên bàn cưa.
- Nói lỏng cần kẹp (35).
hoặc
Phiên bản ở từng nước **3 601 M30 5C2 :** Nhả: Hãy nhả vít lục giác chìm (36) bằng chia vận lục giác (22).
- Rút dao tách lớp khỏi các chân cắm (37) (Kéo cần kẹp (35) ra ngoài một chút) và đẩy dao tách lớp (8) xuống dưới cho đến cỡ chặn.
- Hãy cho khớp cả hai chân cắm (37) vào các lỗ khoan trên ở dao tách lớp và siết chặt cần kẹp lại (35).

Bắt Đầu Vận Hành

- ▶ **Tuân thủ theo đúng điện thế!** Điện thế nguồn phải đúng với điện thế đã ghi rõ trên nhãn máy.

Bật (xem hình G1)

- Gấp nắp an toàn (20) lên trên.
- Để bắt đầu vận hành hãy nhấn nút bật xanh lá (59).
- Để nắp an toàn (20) hạ xuống một lần nữa.

Tắt (xem hình G2)

- Bạn hãy ấn lên nắp an toàn (20).

Sự Cố Mất Điện

Công tắc Tắt/Mở được gọi là công tắc không điện thế, nó ngăn không cho dụng cụ điện khởi động trở lại sau khi điện bị ngắt và có điện trở lại (vd. khi phích cắm điện chính bị kéo ra khỏi ổ điện cung cấp trong lúc hoạt động).

Sau đó để vận hành lại dụng cụ điện, bạn phải ấn lại nút bật xanh lá (59).

Hướng Dẫn Sử Dụng

Các Hướng Dẫn Cưa Tổng Quát

- ▶ **Đối với mọi kiểu cắt, đầu tiên phải bảo đảm rằng lưỡi cưa không bao giờ có thể chạm được vào cỡ chặn hay các bộ phận khác của máy.**

- ▶ **Chỉ dùng dụng cụ điện để khía rãnh hoặc tạo nếp với thiết bị bảo vệ phù hợp (ví dụ nắp bảo vệ dạng hãm, vành chặn).**

- ▶ **Không sử dụng dụng cụ điện để cắt rãnh (rãnh được hoàn thiện trên phôi gia công).**

Bảo vệ lưỡi cưa tránh bị va đập hay chạm mạnh. Không để lưỡi cưa phải chịu lực áp hông.

Dao tách lớp phải nằm thẳng hàng với lưỡi cưa để tránh bị kẹp chặt trong vật gia công.

Không được cưa vật gia công bị cong hay bị oằn. Vật gia công phải luôn luôn có cạnh thẳng, áp sát vào đường cặp cạnh.

Luôn luôn cất giữ/bảo quản cẩn đậy cùng với dụng cụ điện.

Tư thế của người thao tác (xem Hình H)

- ▶ **Không được đứng song song với lưỡi cưa.**

Luôn đặt cơ thể của bạn ở cùng một phía với lưỡi cưa như cỡ chặn. Lực phản hồi có thể đẩy phôi gia công ở tốc độ cao về phía bất cứ người nào đứng trước và song song với lưỡi cưa.

- Để tay, ngón tay và cánh tay tránh khỏi lưỡi cưa đang quay.

Tuân theo các hướng dẫn sau đây:

- Giữ vật gia công thật chắc chắn bằng cả hai tay và chắc tay áp đẩy vật gia công vào lưỡi cưa.
- Luôn sử dụng thanh đẩy giao kèm (24) và thanh cỡ bổ sung (43) cho chi tiết gia công hẹp và để cửa góc chéo thẳng đứng.

Kích thước phôi gia công tối đa

| Góc xiên nằm đứng | chiều cao tối đa của phôi gia công [mm] |
|-------------------|---|
| 0° | 79 |
| 45° | 56 |

Cưa

Cưa Đường Thẳng

- Hãy điều chỉnh thanh cỡ (10) thành chiều rộng cắt mong muốn.
- Hãy đặt phôi gia công lên bàn cưa trước nắp bảo vệ (6).
- Hãy nâng hoặc hạ lưỡi cưa bằng tay quay (19), đến khi răng trên của lưỡi cưa (27) ở bên trên phôi gia công khoảng 3–6 mm.
- Bật công tắc cho máy hoạt động.
- Cắt xuyên qua vật gia công với lực áp lên máy đồng đều.
Nếu bạn ấn quá nhiều lần, các đầu lưỡi cưa có thể quá nhiệt và phôi gia công có thể bị hỏng.
- Tắt máy và đợi cho đến khi lưỡi cưa đã ngừng quay hoàn toàn.

Cưa Góc Xiên

- Điều chỉnh góc vát dọc mong muốn của lưỡi cưa. Khi lưỡi cưa nghiêng sang trái, thanh cỡ (10) phải ở bên phải của lưỡi cưa.

- Hãy tuân theo các bước làm việc tương ứng: (xem „Cửa Đường Thăng“, Trang 101)

Cửa góc vát ngang (xem hình I)

- Điều chỉnh góc vát ngang mong muốn trên cỡ chặn góc (3).
- Hãy đặt phôi gia công lên thanh biên dạng (29). Thanh biên dạng có thể không nằm trên đường cắt. Trong trường hợp này hãy nối lỏng đai ốc khóa (60) và dịch chuyển thanh biên dạng.
- Hãy nâng hoặc hạ lưỡi cửa bằng tay quay (19), đến khi răng trên của lưỡi cửa (27) ở bên trên phôi gia công khoảng 3 – 6 mm.
- Bật công tắc cho máy hoạt động.
- Hãy ấn phôi gia công bằng một tay vào thanh biên dạng (29) và đẩy chậm cỡ chặn góc ra trước vào rãnh dẫn hướng bằng tay kia trên núm khóa (56) (5).
- Tắt máy và đợi cho đến khi lưỡi cửa đã ngừng quay hoàn toàn.

Kiểm tra và điều chỉnh các thiết lập cơ bản

Để bảo đảm đường cắt chính xác, sự điều chỉnh cơ bản của máy phải được kiểm tra và điều chỉnh lại như là việc cần thiết sau khi hoạt động cao độ. Việc này đòi hỏi phải có một mức độ kinh nghiệm nhất định và các dụng cụ chuyên môn thích hợp. Trạm phục vụ hàng sau khi bán của Bosch sẽ xử lý việc bảo trì này một cách nhanh chóng và đáng tin cậy.

Điều chỉnh các cỡ chặn của góc vát dọc tiêu chuẩn 0°/45°

- Đặt máy ở vào tư thế hoạt động.
- Chính một góc vát đứng 0° của lưỡi cửa.
- Tháo nắp bảo vệ (6) ra.

Kiểm tra (xem Hình J1)

- Chính thước đo góc đến 90° và đặt nó lên bàn cửa (7).

Chân thước đo góc phải nằm ngang bằng với lưỡi cửa (27) dọc theo toàn bộ chiều dài.

Điều chỉnh (xem Hình J2)

- Hãy nhả vít (61). Do đó, cỡ chặn 0° (62) có thể bị dịch chuyển.
- Nối lỏng cần khóa (17).
- Hãy đẩy núm điều khiển (18) vào cỡ chặn 0°, cho đến khi chân của thước đo góc ngang bằng với lưỡi cửa dọc theo toàn bộ chiều dài.
- Giữ núm điều khiển ở nguyên vị trí này và siết chặt cần khóa (17) lại như trước.
- Siết chặt vít (61) lại.

Nếu chỉ báo góc (54) không nằm thẳng với vạch 0° trên thước (55) sau khi điều chỉnh, hãy nối lỏng vít (63) bằng tước nơ vít đầu Phillips thông dụng và căn chỉnh chỉ báo góc dọc theo vạch 0°.

Hãy lặp lại các bước làm việc trên cho góc vát đứng 45° (Nối lỏng vít (64); Dịch chuyển cỡ chặn 45° (65)). Chỉ báo góc (54) không được phép chỉnh lại.

Độ song song của lưỡi cửa với rãnh dẫn hướng của cỡ chặn góc (xem Hình K)

- Đặt máy ở vào tư thế hoạt động.
- Tháo nắp bảo vệ (6) ra.

Kiểm tra

- Hãy đánh dấu răng cửa bên trái đầu tiên, mà có thể thấy rõ phía sau trên chi tiết gài bàn, bằng bút chì.
- Chính thước góc đến 90° rồi đặt lên cạnh của rãnh dẫn hướng (5).
- Hãy dịch chuyển chân thước đo góc, đến khi nó chạm vào răng cửa đã đánh dấu, và hãy đọc khoảng cách giữa lưỡi cửa và rãnh dẫn hướng.
- Xoay lưỡi cửa, đến khi răng đã đánh dấu phía trước ở trên chi tiết gài bàn.
- Di chuyển thước chia độ dọc theo rãnh dẫn hướng đến răng cửa được đánh dấu.
- Đo khoảng hở giữa lưỡi cửa và rãnh dẫn hướng lại lần nữa.

Cả hai khoảng hở đo được phải giống như nhau.

Điều chỉnh

- Hãy nối lỏng vít lục giác chìm (66) phía trước bên dưới bàn cửa và vít lục giác chìm (67) phía sau bên dưới bàn cửa bằng chìa vạn dụng lục giác kèm (22).
- Hãy di chuyển cẩn thận lưỡi cửa, cho đến khi nó song song với rãnh dẫn hướng (5).
- Siết chặt vít tất cả vít (66) và (67) lại lần nữa.

Điều chỉnh kim chỉ khoảng hở của bàn cửa (xem hình L)

- Đặt dưỡng cặp cạnh lên bên phải của lưỡi cửa. Di chuyển thanh cỡ, đến khi đánh dấu trong thấu kính (28) hiển thị 26 cm trên thước bên dưới. Để cố định hãy ấn tay kẹp (41) xuống dưới.
- Kéo tay kẹp (16) lên trên hoàn toàn và kéo phần mở rộng bàn cửa (14) ra ngoài cho đến cỡ chặn.

Kiểm tra

Kim chỉ khoảng hở (58) phải hiển thị giá trị giống nhau ở thước trên (2) như đánh dấu trong thấu kính (28) trên thước bên dưới. (2).

Điều chỉnh

- Kéo phần mở rộng bàn cửa (14) ra ngoài đến cỡ chặn.
- Nối lỏng ốc vít (68) bằng tước nơ vít đầu Phillips và căn chỉnh kim chỉ khoảng hở (58) dọc theo dấu 26 cm của thước trên (2).

Điều chỉnh độ song song của thanh cỡ (xem hình M)

- Đặt máy ở vào tư thế hoạt động.
- Tháo nắp bảo vệ (6) ra.

- Nới lỏng quai kẹp (41) của thanh cữ và dịch chuyển nó, đến khi chạm vào lưỡi cưa.

Kiểm tra

Thanh cữ (10) phải chạm vào lưỡi cưa trên toàn bộ chiều dài.

Điều chỉnh

- Bạn hãy nới lỏng vít lục giác chìm (69) bằng chia vận lục giác kèm theo dụng cụ (22).
- Hãy di chuyển cẩn thận thanh cữ (10), đến khi nó chạm lưỡi cưa trên toàn bộ chiều dài.
- Giữ thanh cữ ở nguyên vị trí này và ấn quai kẹp (41) xuống dưới một lần nữa.
- Siết chặt lại vít lục giác chìm (69).

Điều chỉnh Lực Căng của Dường Cặp cạnh

Lực kẹp của thanh cữ (10) có thể giảm sau khi sử dụng thường xuyên.

- Hãy siết vít điều chỉnh (25) đến khi thanh cữ có thể được cố định chặt trên bàn cưa.

Điều chỉnh thấu kính của thanh cữ (xem hình M)

- Đặt máy ở vào tư thế hoạt động.
- Tháo nắp bảo vệ (6) ra.
- Hãy dịch chuyển thanh cữ (10) từ bên phải, đến khi chạm vào lưỡi cưa.

Kiểm tra

Đánh dấu thấu kính (28) phải ở trong một vạch có dấu 0 mm của thước đo (2).

Điều chỉnh

- Nới lỏng ốc vít (70) bằng tước nơ vít đầu Phillips và căn chỉnh đánh dấu dọc theo dấu 0 mm.

Điều chỉnh chiều cao chi tiết gài bàn (xem hình N)

Kiểm tra

Mặt trước của chi tiết gài bàn (26) phải nằm ngang bằng hoặc ở bên dưới bàn cưa một chút, mặt dưới phải nằm ngang bằng hoặc ở bên trên bàn cưa một chút.

Điều chỉnh

- Tháo chi tiết gài bàn (26).
- Bằng chia vận lục giác (22) hãy điều chỉnh chiều cao chính xác của bốn vít điều chỉnh (71).

Cất Giữ và Vận Chuyển

Bảo quan dụng cụ phụ trợ (xem Hình O1–O5)

Với mục đích lưu giữ, một số dụng cụ phụ trợ cụ thể có thể cài chặt chắc chắn vào dụng cụ điện.

- Hãy nới lỏng thanh cữ phụ (43) khỏi thanh cữ (10).
- Hãy gắn tất cả bộ phận thiết bị lỏng lẻo vào vị trí cất giữ trên vỏ (xem Bảng sau đây).

| Hình ảnh | Dụng Cụ Phụ Trợ | Vị Trí Cất Giữ |
|----------|---|---|
| O1 | Nắp bảo vệ (6) | hãy treo vào trong rãnh của giá đỡ (34) và siết chặt bằng cần kẹp (39) |
| O1 | Van một chiều (9) (Phiên bản tại Đài Loan 3 601 M30 5C2) | Ấn nút bấm (48) và cho khớp trong lỗ khoan của giá đỡ (74) |
| O2 | Bộ vít định vị „Thanh cữ phụ“ (44) | gắn ghim vào các giá đỡ (72) |
| O2 | Bộ thích ứng hút (33) | đẩy vào bộ phận gá giữ (73) |
| O3 | Chìa vận vòng (23) | cố định chặt bằng đai ốc khóa (75) trong vị trí cất giữ dụng cụ |
| O3 | Cần đẩy (24) | hãy gắn trên đai ốc khóa (75) và cố định chặt bằng cách dịch chuyển |
| O4 | Thanh cữ (10) | xoay tròn, gắn vào ray dẫn hướng từ dưới và cố định chặt quai kẹp (41) |
| O5 | Chìa vận lục giác (22) Chìa vận lục giác (21) | đẩy vào các giá đỡ (76) |
| O5 | Cữ chặn góc (3) | đẩy vào bộ phận gá giữ (77) |
| O5 | Thanh cữ phụ (43) | đẩy vào bộ phận gá giữ (31) (phía ngắn hướng lên trên; phía dài hướng ra sau) |

Xách Dụng Cụ Điện

Trước khi vận chuyển dụng cụ điện, phải tiến hành các bước như sau:

- Đưa máy vào vị trí vận chuyển.
- Nếu có thể, đặt những lưỡi cưa không được sử dụng tới vào trong một bao bì đóng gói để chuyển vận.
- Nếu có thể, đặt những lưỡi cưa không được sử dụng tới vào trong một bao bì đóng gói để chuyển vận.
- Đẩy bàn cưa mở rộng hết vào trong (14) và ấn quai kẹp (16) xuống dưới để cố định lại.
- Xoắn dây điện vào phần cuốn cáp (30).
- Sử dụng các tay nắm để nâng hoặc vận chuyển (13).

► **Khi vận chuyển dụng cụ điện, chỉ sử dụng các thiết bị dùng vận chuyển và không bao giờ sử dụng thiết bị bảo vệ để mang hay xách.**

Bảo Dưỡng và Bảo Quản

Bảo Dưỡng Và Làm Sạch

- ▶ Trước khi tiến hành bất cứ việc gì trên máy, kéo phích cắm điện nguồn ra.
- ▶ Để được an toàn và máy hoạt động đúng chức năng, luôn luôn giữ máy và các khe thông gió được sạch.

Nếu như cần phải thay dây dẫn điện thì công việc này phải do hãng **Bosch**, hay một đại lý được **Bosch** ủy nhiệm thực hiện để tránh gặp sự nguy hiểm do mất an toàn.

Làm Sạch

Làm sạch bụi và dăm sau mỗi lần sử dụng máy bằng cách dùng hơi nén để thổi hay bằng cọ.

Bôi trơn dụng cụ điện



Chất bôi trơn:

Dầu động cơ SAE 10/SAE 20

- Nếu cần bôi trơn máy, đưa dụng cụ điện đến địa điểm đã được chỉ định để bảo trì (xem Hình P).

Một bộ phận dịch vụ khách hàng Bosch được ủy quyền có thể thực hiện công việc này một cách đáng tin và nhanh chóng.

- ▶ Loại bỏ chất bôi trơn và chất tẩy rửa theo quy định bảo vệ môi trường. Hãy tuân thủ các quy định của pháp luật.

Biện Pháp để làm Giảm TiếngỒn

Các biện pháp về phần nhà sản xuất:

- Khởi động Êm
- Sự chuyển giao máy với lưỡi cửa được cải tiến một cách đặc biệt để làm giảm tiếng ồn

Các biện pháp về phần người sử dụng:

- Lắp ráp có sự dao động ít trên bề mặt làm việc cứng chắc
- Sử dụng lưỡi cửa có chức năng làm giảm tiếng ồn
- Thường xuyên làm sạch lưỡi cửa và dụng cụ điện

Phụ kiện

| | Mã số máy |
|---|---------------|
| Túi chứa bụi | 2 610 015 511 |
| Cút nối ống hút | 2 610 015 509 |
| Bộ nối chữ Y TSVH 3 | 2 610 015 513 |
| Cờ chặn góc | 2 610 015 507 |
| Cần đẩy | 2 610 015 022 |
| Giá cửa GTA 600 | 0 601 B22 001 |
| Lưỡi cửa gỗ và vật liệu dạng tấm, ván ô và nẹp | |
| Lưỡi cửa 254 x 25,4 mm, 40 răng | 2 608 640 901 |
| Lưỡi cửa 254 x 25,4 mm, 60 răng | 2 608 640 902 |

Dịch vụ hỗ trợ khách hàng và tư vấn sử dụng

Bộ phận phục vụ hàng sau khi bán của chúng tôi trả lời các câu hỏi liên quan đến việc bảo dưỡng và sửa chữa các sản phẩm cũng như phụ tùng thay thế của bạn. Sơ đồ mô tả và thông tin về phụ tùng thay thế cũng có thể tra cứu theo dưới đây:

www.bosch-pt.com

Đội ngũ tư vấn sử dụng của Bosch sẽ giúp bạn giải đáp các thắc mắc về sản phẩm và phụ kiện.

Trong tất cả các phản hồi và đơn đặt phụ tùng, xin vui lòng luôn luôn nhập số hàng hóa 10 chữ số theo nhãn của hàng hóa.

Việt Nam

CN CÔNG TY TNHH BOSCH VIỆT NAM TẠI TP.HCM

Tầng 14, Ngôi Nhà Đức, 33 Lê Duẩn
Phường Bến Nghé, Quận 1, Thành Phố Hồ Chí Minh

Tel.: (028) 6258 3690

Fax: (028) 6258 3692 - 6258 3694

Hotline: (028) 6250 8555

Email: tuvankhachhang-pt@vn.bosch.com

www.bosch-pt.com.vn

www.baohanhbosch-pt.com.vn

Xem thêm địa chỉ dịch vụ tại:

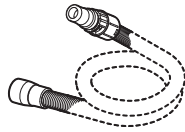
www.bosch-pt.com/serviceaddresses

Sự thải bỏ

Máy, linh kiện và bao bì phải được phân loại để tái chế theo hướng thân thiện với môi trường.



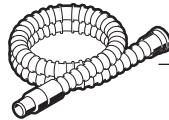
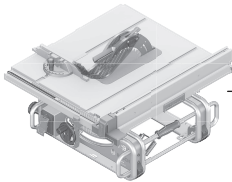
Không được thải bỏ dụng cụ điện vào chung với rác sinh hoạt!



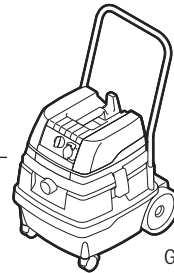
Ø 40 mm:
1 600 A00 0JF (3 m)



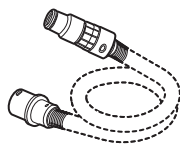
GAS 20 L SFC



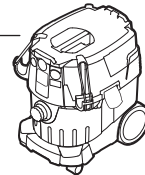
Ø 19 mm:
2 607 002 161 (3 m)
2 607 002 162 (5 m)
Ø 35 mm:
2 607 002 163 (3 m)
2 607 002 164 (5 m)



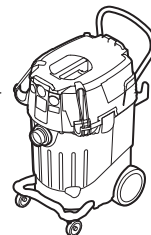
GAS 25 L SFC
GAS 50
GAS 50 M



Ø 22 mm:
2 608 000 571 (3 m)
2 608 000 567 (5 m)
Ø 35 mm:
2 608 000 569 (3 m)
2 608 000 565 (5 m)



GAS 35 L SFC+
GAS 35 L AFC
GAS 35 M AFC



GAS 55 M AFC



Ø 22 mm:
2 608 000 572 (3 m)
2 608 000 568 (5 m)
Ø 35 mm:
2 608 000 570 (3 m)
2 608 000 566 (5 m)