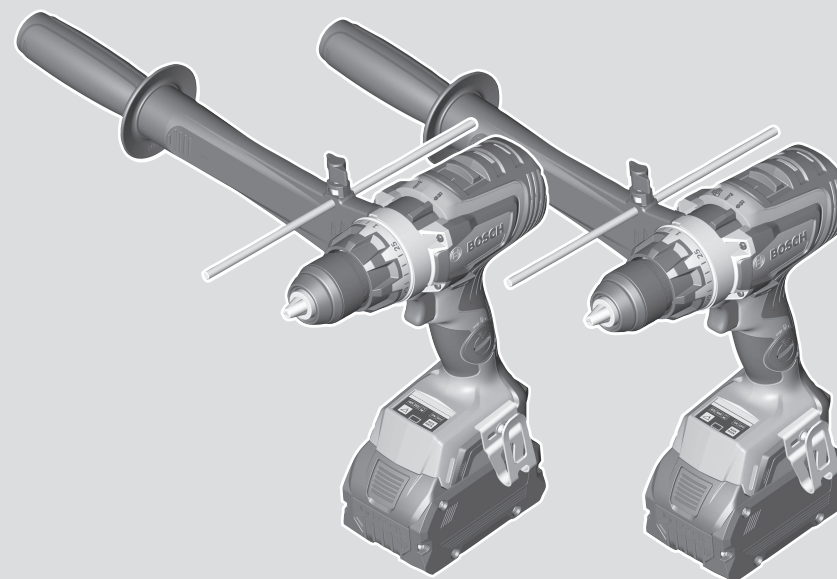




# GSR | GSB Professional **HEAVY DUTY**

18V-150 C



Robert Bosch Power Tools GmbH  
70538 Stuttgart  
GERMANY

[www.bosch-pt.com](http://www.bosch-pt.com)

1 609 92A 73U (2021.09) AS / 108

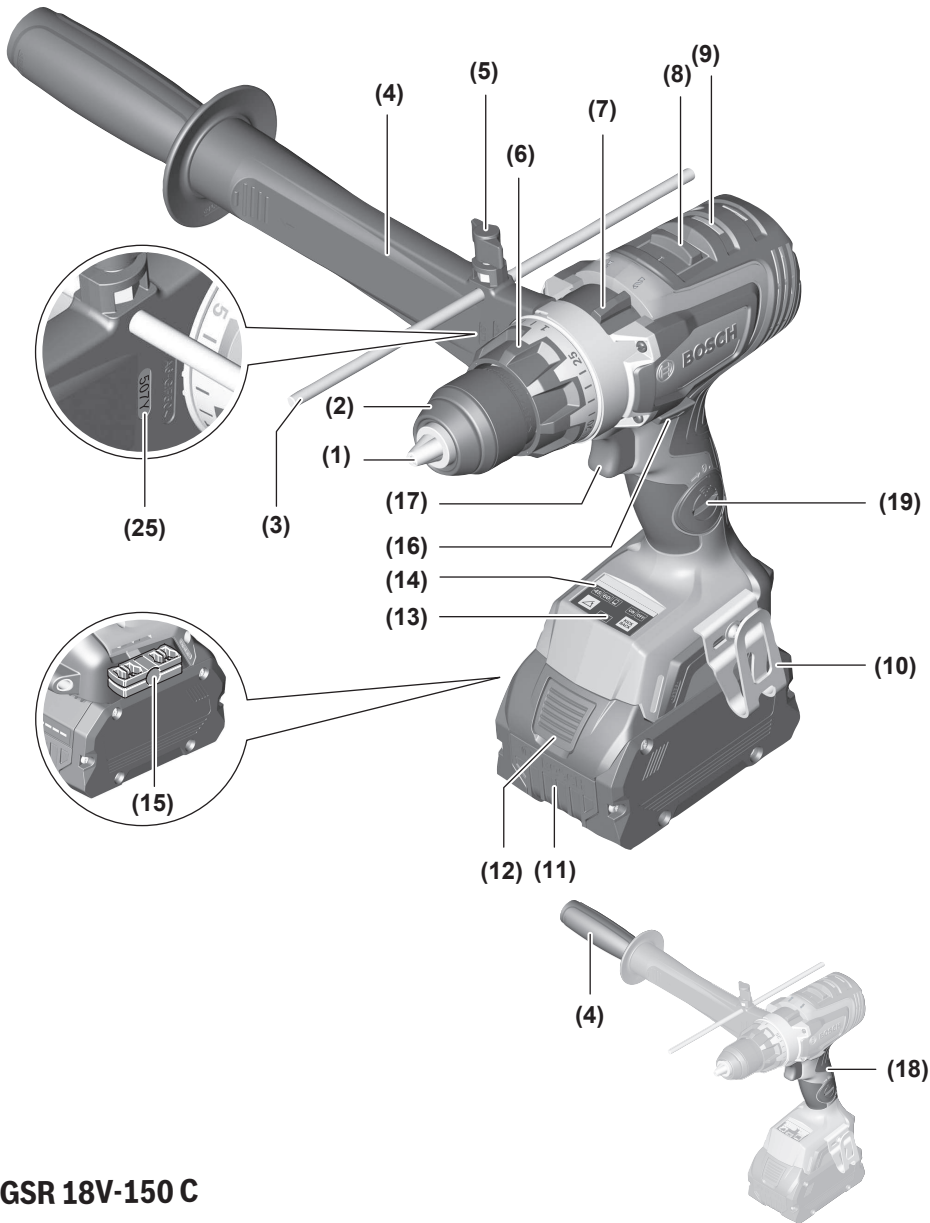


1 609 92A 73U

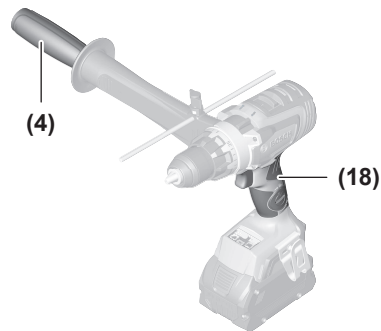
- en Original instructions
- fr Notice originale
- pt Manual original
- es Manual original
- pt Manual de instruções original
- zh 正本使用说明书
- zh 原始使用說明書
- th หนังสือคู่มือการใช้งานฉบับต้นแบบ
- id Petunjuk-Petunjuk untuk Penggunaan Orisinal
- vi Bản gốc hướng dẫn sử dụng
- ar دليل التشغيل الأصلي
- fa دفترچه راهنمای اصلی

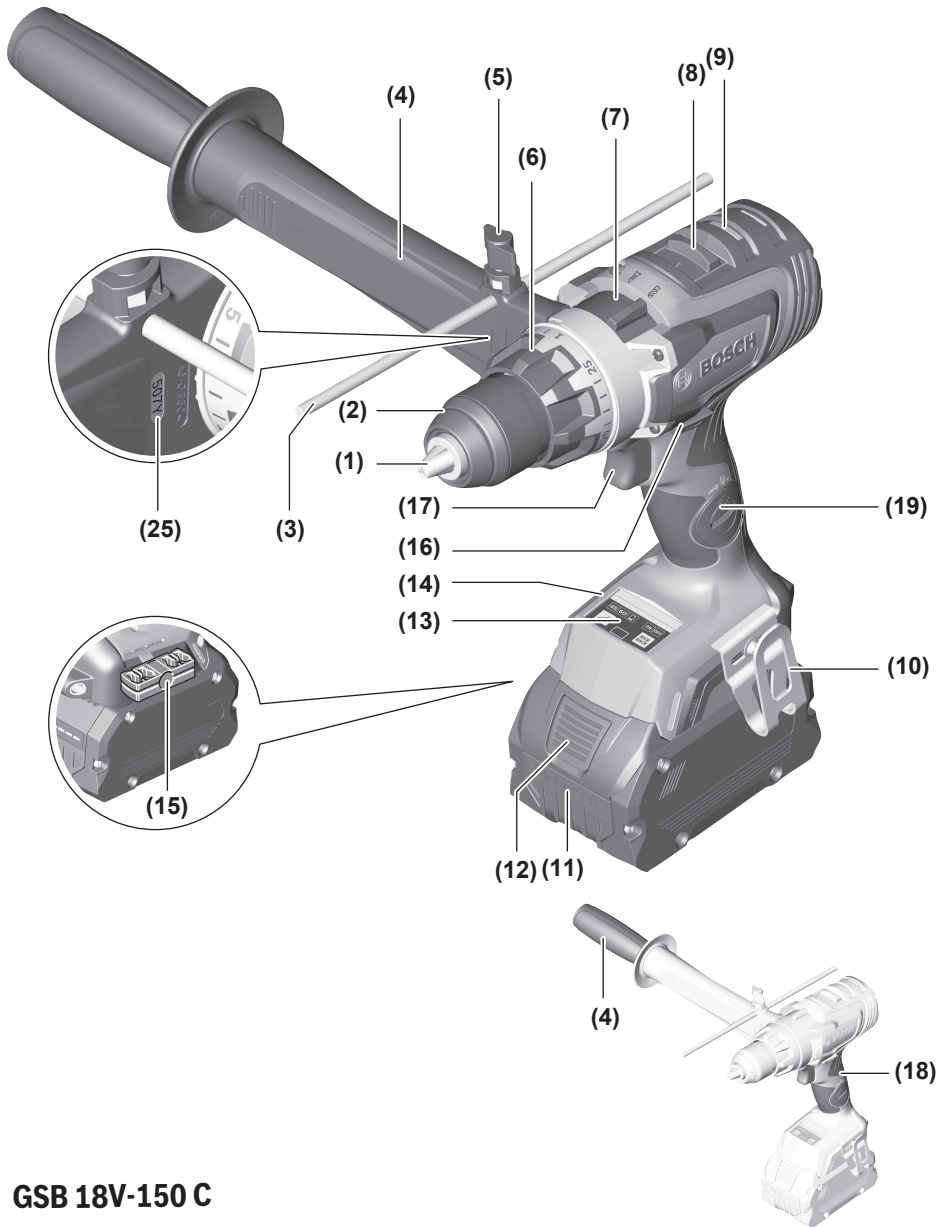


English .....	Page	7
Français .....	Page	14
Português .....	Página	23
Español .....	Página	32
Português do Brasil .....	Página	41
中文 .....	頁	50
繁體中文 .....	頁	57
ไทย .....	หน้า	63
Bahasa Indonesia .....	Halaman	72
Tiếng Việt .....	Trang	80
عربي .....	الصفحة	89
فارسی .....	صفحه	98

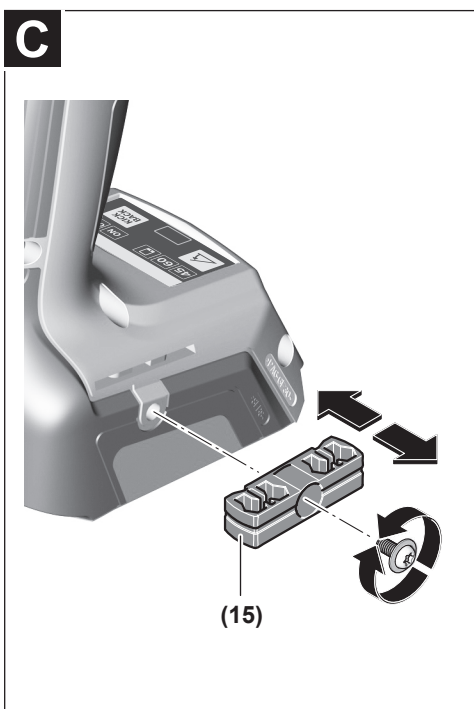
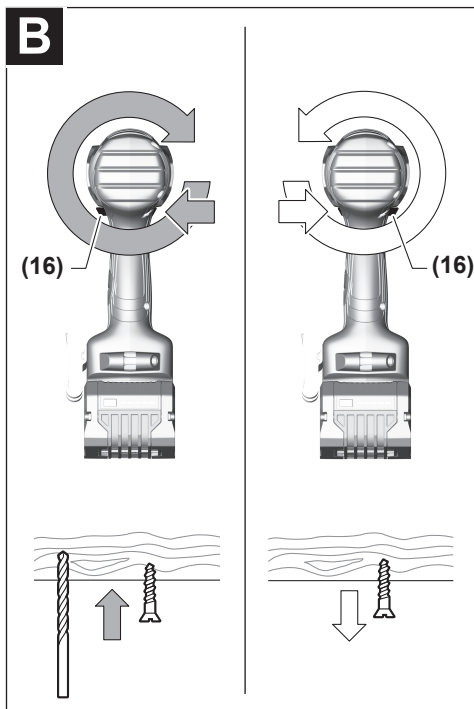
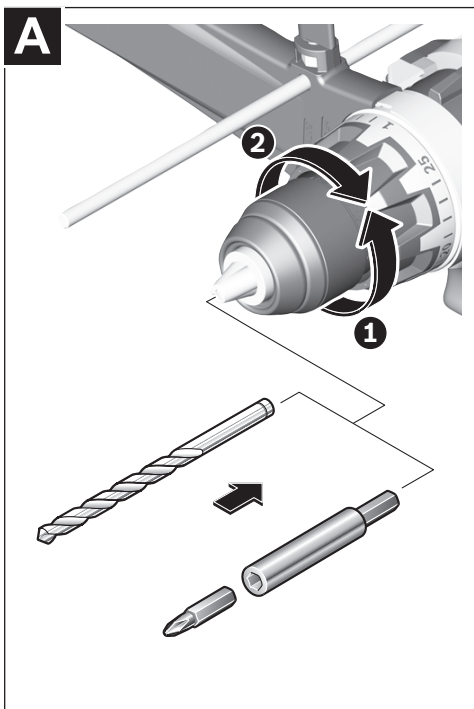


**GSR 18V-150 C**

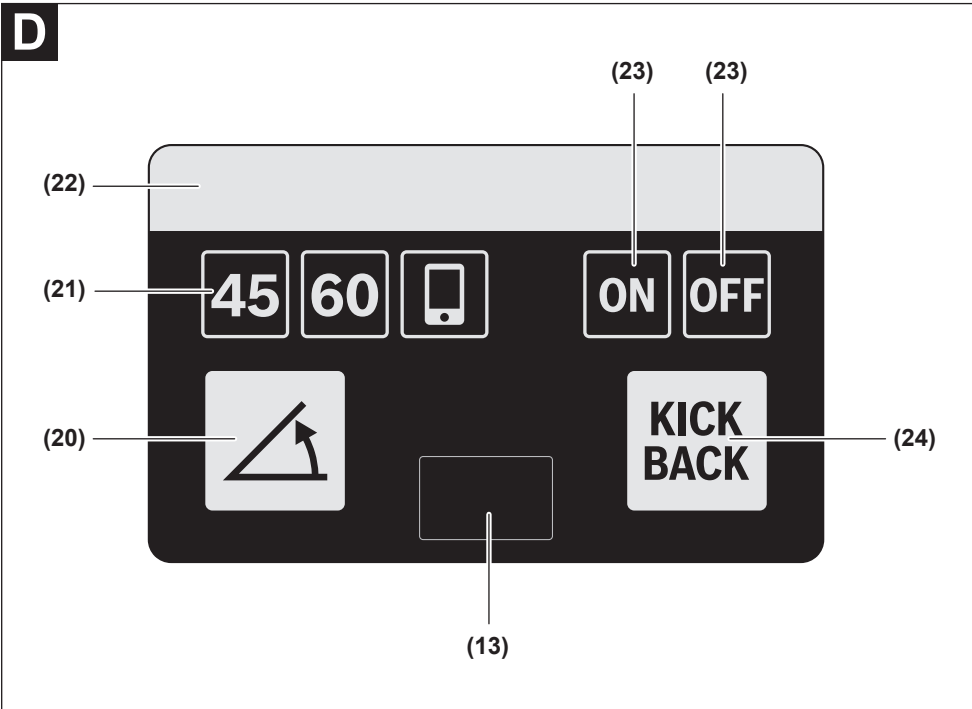




**GSB 18V-150 C**



**D**



# English

## Safety Instructions

### General Power Tool Safety Warnings

**⚠ WARNING** Read all safety warnings, instructions, illustrations and specifications provided with this power tool. Failure to follow all instructions listed below may result in electric shock, fire and/or serious injury.

**Save all warnings and instructions for future reference.**

The term "power tool" in the warnings refers to your mains-operated (corded) power tool or battery-operated (cordless) power tool.

#### Work area safety

- ▶ **Keep work area clean and well lit.** Cluttered or dark areas invite accidents.
- ▶ **Do not operate power tools in explosive atmospheres, such as in the presence of flammable liquids, gases or dust.** Power tools create sparks which may ignite the dust or fumes.
- ▶ **Keep children and bystanders away while operating a power tool.** Distractions can cause you to lose control.

#### Electrical safety

- ▶ **Power tool plugs must match the outlet. Never modify the plug in any way. Do not use any adapter plugs with earthed (grounded) power tools.** Unmodified plugs and matching outlets will reduce risk of electric shock.
- ▶ **Avoid body contact with earthed or grounded surfaces, such as pipes, radiators, ranges and refrigerators.** There is an increased risk of electric shock if your body is earthed or grounded.
- ▶ **Do not expose power tools to rain or wet conditions.** Water entering a power tool will increase the risk of electric shock.
- ▶ **Do not abuse the cord. Never use the cord for carrying, pulling or unplugging the power tool. Keep cord away from heat, oil, sharp edges or moving parts.** Damaged or entangled cords increase the risk of electric shock.
- ▶ **When operating a power tool outdoors, use an extension cord suitable for outdoor use.** Use of a cord suitable for outdoor use reduces the risk of electric shock.
- ▶ **If operating a power tool in a damp location is unavoidable, use a residual current device (RCD) protected supply.** Use of an RCD reduces the risk of electric shock.

#### Personal safety

- ▶ **Stay alert, watch what you are doing and use common sense when operating a power tool. Do not use a power tool while you are tired or under the influence of drugs, alcohol or medication.** A moment of inatten-

tion while operating power tools may result in serious personal injury.

- ▶ **Use personal protective equipment. Always wear eye protection.** Protective equipment such as a dust mask, non-skid safety shoes, hard hat or hearing protection used for appropriate conditions will reduce personal injuries.
- ▶ **Prevent unintentional starting. Ensure the switch is in the off-position before connecting to power source and/or battery pack, picking up or carrying the tool.** Carrying power tools with your finger on the switch or energising power tools that have the switch on invites accidents.
- ▶ **Remove any adjusting key or wrench before turning the power tool on.** A wrench or a key left attached to a rotating part of the power tool may result in personal injury.
- ▶ **Do not overreach. Keep proper footing and balance at all times.** This enables better control of the power tool in unexpected situations.
- ▶ **Dress properly. Do not wear loose clothing or jewellery. Keep your hair and clothing away from moving parts.** Loose clothes, jewellery or long hair can be caught in moving parts.
- ▶ **If devices are provided for the connection of dust extraction and collection facilities, ensure these are connected and properly used.** Use of dust collection can reduce dust-related hazards.
- ▶ **Do not let familiarity gained from frequent use of tools allow you to become complacent and ignore tool safety principles.** A careless action can cause severe injury within a fraction of a second.

#### Power tool use and care

- ▶ **Do not force the power tool. Use the correct power tool for your application.** The correct power tool will do the job better and safer at the rate for which it was designed.
- ▶ **Do not use the power tool if the switch does not turn it on and off.** Any power tool that cannot be controlled with the switch is dangerous and must be repaired.
- ▶ **Disconnect the plug from the power source and/or remove the battery pack, if detachable, from the power tool before making any adjustments, changing accessories, or storing power tools.** Such preventive safety measures reduce the risk of starting the power tool accidentally.
- ▶ **Store idle power tools out of the reach of children and do not allow persons unfamiliar with the power tool or these instructions to operate the power tool.** Power tools are dangerous in the hands of untrained users.
- ▶ **Maintain power tools and accessories. Check for misalignment or binding of moving parts, breakage of parts and any other condition that may affect the power tool's operation. If damaged, have the power tool repaired before use.** Many accidents are caused by poorly maintained power tools.

- ▶ **Keep cutting tools sharp and clean.** Properly maintained cutting tools with sharp cutting edges are less likely to bind and are easier to control.
- ▶ **Use the power tool, accessories and tool bits etc. in accordance with these instructions, taking into account the working conditions and the work to be performed.** Use of the power tool for operations different from those intended could result in a hazardous situation.
- ▶ **Keep handles and grasping surfaces dry, clean and free from oil and grease.** Slippery handles and grasping surfaces do not allow for safe handling and control of the tool in unexpected situations.

#### Battery tool use and care

- ▶ **Recharge only with the charger specified by the manufacturer.** A charger that is suitable for one type of battery pack may create a risk of fire when used with another battery pack.
- ▶ **Use power tools only with specifically designated battery packs.** Use of any other battery packs may create a risk of injury and fire.
- ▶ **When battery pack is not in use, keep it away from other metal objects, like paper clips, coins, keys, nails, screws or other small metal objects, that can make a connection from one terminal to another.** Shorting the battery terminals together may cause burns or a fire.
- ▶ **Under abusive conditions, liquid may be ejected from the battery; avoid contact. If contact accidentally occurs, flush with water. If liquid contacts eyes, additionally seek medical help.** Liquid ejected from the battery may cause irritation or burns.
- ▶ **Do not use a battery pack or tool that is damaged or modified.** Damaged or modified batteries may exhibit unpredictable behaviour resulting in fire, explosion or risk of injury.
- ▶ **Do not expose a battery pack or tool to fire or excessive temperature.** Exposure to fire or temperature above 130°C may cause explosion.
- ▶ **Follow all charging instructions and do not charge the battery pack or tool outside the temperature range specified in the instructions.** Charging improperly or at temperatures outside the specified range may damage the battery and increase the risk of fire.

#### Service

- ▶ **Have your power tool serviced by a qualified repair person using only identical replacement parts.** This will ensure that the safety of the power tool is maintained.
- ▶ **Never service damaged battery packs.** Service of battery packs should only be performed by the manufacturer or authorized service providers.

### Safety information for drills and screwdrivers

#### Safety instructions for all operations

- ▶ **Wear ear protectors when impact drilling.** Exposure to noise can cause hearing loss.

- ▶ **Use the auxiliary handle(s).** Loss of control can cause personal injury.
- ▶ **Hold the power tool by insulated gripping surfaces, when performing an operation where the cutting accessory or fasteners may contact hidden wiring.** Cutting accessory or fasteners contacting a "live" wire may make exposed metal parts of the power tool "live" and could give the operator an electric shock.

#### Safety instructions when using long drill bits

- ▶ **Never operate at higher speed than the maximum speed rating of the drill bit.** At higher speeds, the bit is likely to bend if allowed to rotate freely without contacting the workpiece, resulting in personal injury.
- ▶ **Always start drilling at low speed and with the bit tip in contact with the workpiece.** At higher speeds, the bit is likely to bend if allowed to rotate freely without contacting the workpiece, resulting in personal injury.
- ▶ **Apply pressure only in direct line with the bit and do not apply excessive pressure.** Bits can bend causing breakage or loss of control, resulting in personal injury.

#### Additional safety warnings

- ▶ **Hold the power tool securely.** When tightening and loosening screws be prepared for temporarily high torque reactions.
- ▶ **Secure the workpiece.** A workpiece clamped with clamping devices or in a vice is held more secure than by hand.
- ▶ **Use suitable detectors to determine if there are hidden supply lines or contact the local utility company for assistance.** Contact with electric cables can cause fire and electric shock. Damaging gas lines can lead to explosion. Breaking water pipes causes property damage.
- ▶ **Always wait until the power tool has come to a complete stop before placing it down.** The application tool can jam and cause you to lose control of the power tool.
- ▶ **In case of damage and improper use of the battery, vapours may be emitted. The battery can set alight or explode.** Ensure the area is well ventilated and seek medical attention should you experience any adverse effects. The vapours may irritate the respiratory system.
- ▶ **Do not open the battery.** There is a risk of short-circuiting.
- ▶ **The battery can be damaged by pointed objects such as nails or screwdrivers or by force applied externally.** An internal short circuit may occur, causing the battery to burn, smoke, explode or overheat.
- ▶ **Only use the battery with products from the manufacturer.** This is the only way in which you can protect the battery against dangerous overload.



**Protect the battery against heat, e.g. against continuous intense sunlight, fire, dirt, water and moisture.** There is a risk of explosion and short-circuiting.



- ▶ **Switch the power tool off immediately if the application tool becomes blocked. Be prepared for high**



**torque reactions which cause kickback.** The application tool becomes blocked when it becomes jammed in the workpiece or when the power tool becomes overloaded.

- **Caution! When using the power tool with Bluetooth<sup>®</sup>, a fault may occur in other devices and systems, aeroplanes and medical devices (e.g. pacemakers, hearing aids). Also, damage to people and animals in the immediate vicinity cannot be completely excluded. Do not use the power tool with Bluetooth<sup>®</sup> in the vicinity of medical devices, petrol stations, chemical plants, areas with a potentially explosive atmosphere or in blasting areas. Do not use the power tool with Bluetooth<sup>®</sup> in aircraft. Avoid using the product near your body for extended periods.**

The Bluetooth<sup>®</sup> word mark and logos are registered trademarks owned by Bluetooth SIG, Inc. and any use of such marks by Robert Bosch Power Tools GmbH is under license.

## Product Description and Specifications



### Read all the safety and general instructions.

Failure to observe the safety and general instructions may result in electric shock, fire and/or serious injury.

Please observe the illustrations at the beginning of this operating manual.

### Intended use

The power tool is intended for driving and loosening screws and for drilling in wood, metal, ceramic and plastic. The GSB is also designed for impact drilling in brick, masonry and stone.

With the Bluetooth<sup>®</sup> Low Energy Module **GCY 42** inserted, power tool data and settings can be transferred between the power tool and a mobile device by means of Bluetooth<sup>®</sup> wireless technology.

### Technical Data

Cordless drill/driver		GSR 18V-150 C	GSB 18V-150 C
Article number		<b>3 601 JJ5 0..</b>	<b>3 601 JJ5 1..</b>
Rated voltage	V=	18	18
No-load speed <sup>A)</sup>			
– First gear	min <sup>-1</sup>	0–550	0–550
– Second gear	min <sup>-1</sup>	0–2 200	0–2 200
Impact rate <sup>A)</sup>	min <sup>-1</sup>	–	0–30 000
Torque, hard/soft screwdriving application based on ISO 5393 (2017) <sup>A)</sup>	Nm	100/84	100/84
Max. torque <sup>A)</sup>	Nm	150	150
Max. drilling diameter			
– Wood	mm	150	150

### Product Features

The numbering of the product features refers to the diagram of the power tool on the graphics page.

- (1) Tool holder
- (2) Keyless chuck
- (3) Depth stop
- (4) Auxiliary handle (insulated gripping surface)
- (5) Wing bolt for depth stop adjustment
- (6) Torque presetting ring
- (7) Mode selector switch
- (8) Gear selector switch
- (9) LED for electronic angle detection (EAD)
- (10) Belt clip
- (11) Rechargeable battery
- (12) Battery release button
- (13) Worklight (user interface)
- (14) User interface
- (15) Bit holder<sup>a)</sup>
- (16) Rotational direction switch
- (17) On/off switch
- (18) Handle (insulated gripping surface)
- (19) Bluetooth<sup>®</sup> Low Energy Module cover **GCY 42**
- (20) Button for electronic angle detection (EAD) (user interface)
- (21) LED for preset slope angle of electronic angle detection (EAD) (user interface)
- (22) LED for power tool (user interface)
- (23) LED for KickBack Control (user interface)
- (24) Button for KickBack Control (user interface)
- (25) Auxiliary handle order number 1 602 025 07Y

a) **Accessories shown or described are not included with the product as standard. You can find the complete selection of accessories in our accessories range.**

Cordless drill/driver		GSR 18V-150 C	GSB 18V-150 C
– Steel	mm	16	16
– Masonry	mm	–	20
Tool holder		1.5–13	1.5–13
Max. screw diameter	mm	13	13
Weight according to EPTA-Procedure 01:2014 <sup>B)</sup>	kg	2.4–3.5	2.5–3.6
Recommended ambient temperature during charging	°C	0 to +35	0 to +35
Permitted ambient temperature during operation and during storage	°C	–20 to +50	–20 to +50
Compatible rechargeable batteries		GBA 18V... ProCORE18V...	GBA 18V... ProCORE18V...
Recommended rechargeable batteries for maximum performance		ProCORE18V... ≥ 5.5 Ah	ProCORE18V... ≥ 5.5 Ah
Recommended chargers		GAL 18... GAX 18... GAL 36...	GAL 18... GAX 18... GAL 36...

A) Measured at 20–25 °C with rechargeable battery **ProCORE18V 8.0Ah**.

B) Measured with **GBA 18V 1.5Ah** and **GBA 18V 12.0Ah**.

## Noise/Vibration Information

		GSR 18V-150 C	GSB 18V-150 C
Noise emission values determined according to <b>EN 62841-2-1</b> .			
Typically, the A-weighted noise level of the power tool is			
Sound pressure level	dB(A)	<b>81</b>	<b>94</b>
Sound power level	dB(A)	<b>92</b>	<b>105</b>
Uncertainty K	dB	<b>5</b>	<b>5</b>
<b>Wear hearing protection!</b>			
Vibration total values $a_h$ (triaux vector sum) and uncertainty K determined according to <b>EN 62841-2-1</b> :			
Drilling:			
$a_h$	$m/s^2$	<b>&lt; 2.5</b>	<b>&lt; 2.5</b>
K	$m/s^2$	<b>1.5</b>	<b>1.5</b>
Impact drilling:			
$a_h$	$m/s^2$	–	<b>9.5</b>
K	$m/s^2$	–	<b>1.5</b>

The vibration level and noise emission value given in these instructions have been measured in accordance with a standardised measuring procedure and may be used to compare power tools. They may also be used for a preliminary estimation of vibration and noise emissions.

The stated vibration level and noise emission value represent the main applications of the power tool. However, if the power tool is used for other applications, with different application tools or is poorly maintained, the vibration level and noise emission value may differ. This may significantly increase the vibration and noise emissions over the total working period.

To estimate vibration and noise emissions accurately, the times when the tool is switched off or when it is running but

not actually being used should also be taken into account. This may significantly reduce vibration and noise emissions over the total working period.

Implement additional safety measures to protect the operator from the effects of vibration, such as servicing the power tool and application tools, keeping their hands warm, and organising workflows correctly.

## Assembly

- ▶ **Remove the battery from the power tool before carrying out work on the power tool (e.g. maintenance, changing tool, etc.). The battery should also be re-**

**moved for transport and storage.** There is risk of injury from unintentionally pressing the on/off switch.

### Using the GCY 42 Bluetooth® Low Energy Module

Read the corresponding operating instructions for information about the Bluetooth® Low Energy Module **GCY 42**.

### Charging the Battery

- **Use only the chargers listed in the technical data.** Only these chargers are matched to the lithium-ion battery of your power tool.

**Note:** The battery is supplied partially charged. To ensure full battery capacity, fully charge the battery in the charger before using your power tool for the first time.

The lithium-ion battery can be charged at any time without reducing its service life. Interrupting the charging process does not damage the battery.

The lithium-ion battery is protected against deep discharge by the "Electronic Cell Protection (ECP)". When the battery is discharged, the power tool is switched off by means of a protective circuit. The application tool no longer rotates.

- **Do not continue to press the On/Off switch after the power tool has automatically switched off.** The battery can be damaged.

Follow the instructions on correct disposal.



### Removing the Battery

The battery (**11**) is equipped with two locking levels to prevent the battery from falling out when pushing the battery release button (**12**) unintentionally. As long as the battery is inserted in the power tool, it is held in position by means of a spring.

To remove the battery (**11**), press the release button (**12**) and pull the battery out of the power tool. **Do not use force to do this.**

### Battery charge indicator

The green LEDs on the battery charge indicator indicate the state of charge of the battery. For safety reasons, it is only possible to check the state of charge when the power tool is not in operation.

Press the button for the battery charge indicator  or  to show the state of charge. This is also possible when the battery is removed.

If no LED lights up after pressing the button for the battery charge indicator, then the battery is defective and must be replaced.

**Note:** The state of charge of the battery is also displayed on the user interface (**14**) (see "Status Indications", page 13).

### Battery model GBA 18V...



LEDs	Capacity
3× continuous green light	60–100 %

LEDs	Capacity
2× continuous green light	30–60 %
1× continuous green light	5–30 %
1× flashing green light	0–5 %

### Battery model ProCORE18V...



LEDs	Capacity
5× continuous green light	80–100 %
4× continuous green light	60–80 %
3× continuous green light	40–60 %
2× continuous green light	20–40 %
1× continuous green light	5–20 %
1× flashing green light	0–5 %

### Auxiliary handle

- **Do not operate your power tool without the auxiliary handle (4).**

**This power tool must only be used with the auxiliary handle with the order number 1 602 025 07Y.**

- **Before carrying out any work, make sure that the auxiliary handle is tightened.** Loss of control can cause personal injury. Ensure that the auxiliary handle is tightened with a torque suited to the fastening method; fasten this to the power tool so that any movement of the auxiliary handle around or along the drilling axis is avoided.

### Fitting the auxiliary handle

To open the auxiliary handle, turn the lower gripping end of the auxiliary handle (**4**) in an anticlockwise direction.

Pull back the intermediate piece of the auxiliary handle and hold it in this position.

Slide the auxiliary handle over the drill chuck to mount the auxiliary handle on the power tool.

Then let go of the intermediate piece.

Afterwards, turn the lower gripping end of the auxiliary handle (**4**) clockwise to retighten it.

### Swivelling the auxiliary handle

You can swivel the auxiliary handle (**4**) to any angle for a safe work posture that minimises fatigue.

Turn the lower gripping end of the auxiliary handle (**4**) anticlockwise and swivel the auxiliary handle (**4**) into the required position. Afterwards, turn the lower gripping end of the auxiliary handle (**4**) clockwise to retighten it.

### Setting the drilling depth

You can use the depth stop (**3**) to set the required drilling depth **X**.

Loosen the wing bolt for adjusting the depth stop (**5**) and insert the depth stop into the auxiliary handle (**4**).

Pull the depth stop (3) far enough out that the distance between the drill bit tip and the edge of the depth stop (3) corresponds to the required drilling depth X.

Retighten the wing bolt for adjusting the depth stop (5).

### Changing the tool (see figure A)

- **Remove the battery from the power tool before carrying out work on the power tool (e.g. maintenance, changing tool, etc.). The battery should also be removed for transport and storage.** There is risk of injury from unintentionally pressing the on/off switch.

The drill spindle is locked when the on/off switch (17) is not pressed. This makes it possible to change the application tool in the drill chuck quickly, conveniently and easily.

Open the keyless chuck (2) by turning it in the direction of rotation ① until the tool can be inserted. Insert the tool.

Firmly tighten the keyless chuck (2) by turning it by hand in the direction of rotation ②. This will automatically lock the drill chuck.

### Dust/Chip Extraction

Dust from materials such as lead-containing coatings, some wood types, minerals and metal can be harmful to one's health. Touching or breathing-in the dust can cause allergic reactions and/or lead to respiratory infections of the user or bystanders.

Certain dust, such as oak or beech dust, is considered carcinogenic, especially in connection with wood-treatment additives (chromate, wood preservative). Materials containing asbestos may only be worked by specialists.

- Provide for good ventilation of the working place.
- It is recommended to wear a P2 filter-class respirator.

Observe the relevant regulations in your country for the materials to be worked.

- **Avoid dust accumulation at the workplace.** Dust can easily ignite.

## Operation

### Starting Operation

#### Inserting the battery

**Note:** The use of batteries unsuitable for your power tool can lead to malfunctions or damage to the power tool.

Set the rotational direction switch (16) to the middle position to avoid unintentionally switching it on. Insert the charged battery (11) into the handle until you feel it engage and it is flush with the handle.

#### Setting the rotational direction (see figure B)

The rotational direction switch (16) is used to change the rotational direction of the power tool. However, this is not possible while the on/off switch (17) is being pressed.

- 🔄 **Rotate clockwise:** Slide the rotational direction switch (16) on both sides until it stops in the ◀ position.

- 🔄 **Rotate anti-clockwise:** Slide the rotational direction switch (16) on both sides until it stops in the ▶ position.

### Setting the operating mode



#### Drilling

Set the mode selector switch (7) to the "drilling" symbol.



#### Screwdriving

Set the mode selector switch (7) to the "screwdriving" symbol.



#### Impact drilling (GSB 18V-150 C)

Set the mode selector switch (7) to the "impact drilling" symbol.

### Switching on/off

To **start** the power tool, press and hold the on/off switch (17).

The LED (13) lights up when the on/off switch (17) is lightly or fully pressed, meaning that the work area is illuminated in poor lighting conditions.

To **switch off** the power tool, release the on/off switch (17).

### Adjusting the Speed

You can adjust the speed of the power tool when it is on by pressing in the on/off switch (17) to varying extents.

A light pressure on the on/off switch (17) results in a low rotational speed. Increased pressure on the switch causes an increase in speed.

### Preselecting torque (applies to screwdriving mode)

The torque presetting ring (6) can be used to preselect the required torque in 25 stages. Once the set torque has been reached, the application tool will be stopped.

### Mechanical gear selection

- **Only operate the gear selector (8) when the power tool is not in use.**

#### First gear:

Low speed range; for working with a large drilling diameter or for screwdriving.

#### Second gear:

High speed range; for working with a small drilling diameter.

- **Always push the gear selector switch as far as it will go.** Otherwise, the power tool may become damaged.

### Rapid Shut-off (KickBack Control)



**The rapid shut-off function (KickBack Control) gives the user greater control over the power tool and offers them better protection than power tools that do not have KickBack Control. The power tool will switch off if it suddenly and unforeseeably rotates around the drilling axis.**

The rapid shut-off is indicated by the LED (22) flashing red, a flashing light from the worklight (13) and the LED of the KickBack Control (23) lighting up red on the power tool.

To **switch the tool back on**, release the on/off switch and then press it again.

- **It will no longer be possible to switch the power tool on if the KickBack Control function is faulty. Have the power tool serviced by a qualified repair person using only original replacement parts.**

The rapid shut-off function can be deactivated on the user interface (14) with the button (24). If the power tool is not used for longer than 5 minutes or if the rechargeable battery is removed, the rapid shut-off function automatically switches back on. The current status is shown via the LED for KickBack Control (23) on the user interface (14).

Please note that the warning light is not visible from all directions. The warning light is difficult to see in bright sunlight.

### Electronic Angle Detection (EAD)

With electronic angle detection (EAD), a slope angle can be preselected that the power tool detects during work and displays to the user. This means it is possible to drill or screw at right angles in a sloped surface, for example. Electronic angle detection (EAD) is controlled via the user interface (14).

Select an angle (45°, 60°, user-defined) on the user interface (14). **Note:** The user-defined angle in the factory settings is 90°. This angle can be adjusted via the Bosch app. To adjust the angle, press the button for the electronic angle detection (EAD) (20) until the LED of the required slope angle (21) starts flashing.

In addition to the LED of the required slope angle (21), the LED of the electronic angle detection (EAD) (9) also starts to

flash yellow. Now position the power tool on the required surface and hold it as still as possible. **Note:** If the power tool is not held still during the initiating process, the initiating process will automatically end after 10 seconds and the last set value is restored.

The power tool will start the initiating process once it is positioned. The required surface is taught in during the initiating process. The initiating process is complete when the LED of the electronic angle detection (EAD) (9) lights up green for approx. 1 second and then goes out, and the LED of the slope angle (21) lights up continuously.

Remove the power tool from the surface. Align the power tool with the taught-in surface in the required slope angle. The LED (22) lights up yellow if the slope angle lies in the range  $\pm 10^\circ$  from the preset slope angle.

If a slope angle within  $\pm 3^\circ$  of the preset slope angle is reached, the LED (9) lights up green. To end the electronic angle detection (EAD), press the button for the electronic angle detection (EAD) (20) until none of the LEDs for angle selection (21) are lit up (45° → 60° → User-defined → Off). The set angle and reference surface are saved even when changing the rechargeable battery or when waking up the power tool from sleep mode.

### User Interface (see figure D)

The user interface (14) is used to set and check a slope angle as part of the electronic angle detection (EAD), to deactivate the rapid shut-off (KickBack Control) and to indicate the status of the power tool.

### Status Indications

Status indicator for power tool (22)	Meaning/cause	Solution
Green	Status OK	–
Yellow	Critical temperature has been reached, rechargeable battery is almost empty, or KickBack Control is switched off	Run the power tool at no load and allow it to cool down, replace or charge the rechargeable battery soon, or press the KickBack button
Illuminated red	Power tool has overheated or rechargeable battery is empty	Allow the power tool to cool down, or replace or charge the rechargeable battery
Flashing red	KickBack shutdown has been triggered	Switch the power tool off and on again
Flashing blue	Power tool is connected to a mobile device or settings are being transferred	–

Status indicator for power tool (9)	Meaning/cause
Green	Selected angle is reached with a tolerance of $\pm 3^\circ$ to the taught-in surface <sup>A)</sup>
Yellow	Selected angle is reached with a tolerance of $\pm 10^\circ$ to the taught-in surface <sup>A)</sup>
Flashing yellow, then briefly illuminated green	Surface is being taught in
Flashing yellow, then briefly illuminated yellow	Initialisation process not carried out correctly

A) The absolute measuring accuracy can vary based on different conditions (e.g. misalignment of the tool with the screw based on the interaction between screwdriver bit and/or adaptor; evenness of the surface which is referred to; etc.)

### Connectivity functions

In conjunction with the *Bluetooth*® Low Energy Module **GCY 42**, the following connectivity functions are available for the power tool:

- Registration and personalisation
- Status check, output of warning messages
- General information and settings
- Management

Read the corresponding operating instructions for information about the *Bluetooth*® Low Energy Module **GCY 42**.

### Practical advice

- ▶ **With the *Bluetooth*® Low Energy Module GCY 42, the power tool is equipped with a radio interface. Local operating restrictions, e.g. in aircraft or hospitals, must be observed.**
- ▶ **Only apply the power tool to the screw when the tool is switched off.** Rotating application tools can slip off.

An auxiliary tool can be used to remove the screwdriver bit or universal bit holder.

#### Belt clip

You can use the belt clip (10) to hang the power tool on a belt, for example. You then have both hands free and the power tool is always at hand.

## Maintenance and Service

### Maintenance and Cleaning

- ▶ **Remove the battery from the power tool before carrying out work on the power tool (e.g. maintenance, changing tool, etc.). The battery should also be removed for transport and storage.** There is risk of injury from unintentionally pressing the on/off switch.
- ▶ **To ensure safe and efficient operation, always keep the power tool and the ventilation slots clean.**

### After-Sales Service and Application Service

Our after-sales service responds to your questions concerning maintenance and repair of your product as well as spare parts. You can find explosion drawings and information on spare parts at: [www.bosch-pt.com](http://www.bosch-pt.com)

The Bosch product use advice team will be happy to help you with any questions about our products and their accessories.

In all correspondence and spare parts orders, please always include the 10-digit article number given on the nameplate of the product.

#### Malaysia

Robert Bosch Sdn. Bhd. (220975-V) PT/SMY  
No. 8A, Jalan 13/6  
46200 Petaling Jaya  
Selangor  
Tel.: (03) 79663194  
Toll-Free: 1800 880188  
Fax: (03) 79583838

E-Mail: [kiathoe.chong@my.bosch.com](mailto:kiathoe.chong@my.bosch.com)  
[www.bosch-pt.com.my](http://www.bosch-pt.com.my)

#### You can find further service addresses at:

[www.bosch-pt.com/serviceaddresses](http://www.bosch-pt.com/serviceaddresses)

### Transport

The contained lithium-ion batteries are subject to the Dangerous Goods Legislation requirements. The batteries are suitable for road-transport by the user without further restrictions.

When shipping by third parties (e.g.: by air transport or forwarding agency), special requirements on packaging and labelling must be observed. For preparation of the item being shipped, consulting an expert for hazardous material is required.

Dispatch battery packs only when the housing is undamaged. Tape or mask off open contacts and pack up the battery in such a manner that it cannot move around in the packaging. Please also observe the possibility of more detailed national regulations.

### Disposal



Power tools, rechargeable batteries, accessories and packaging should be sorted for environmental-friendly recycling.



Do not dispose of power tools and batteries/rechargeable batteries into household waste!

### Battery packs/batteries:

#### Li-ion:

Please observe the notes in the section on transport (see "Transport", page 14).

## Français

### Consignes de sécurité

#### Avertissements de sécurité généraux pour l'outil électrique

#### **AVERTISSEMENT**

**Lire tous les avertissements de sécurité, les instructions, les illustrations et les spécifications fournis**

**avec cet outil électrique.** Ne pas suivre les instructions énumérées ci-dessous peut provoquer un choc électrique, un incendie et/ou une blessure sérieuse.

**Conserver tous les avertissements et toutes les instructions pour pouvoir s'y reporter ultérieurement.**

Le terme "outil électrique" dans les avertissements fait référence à votre outil électrique alimenté par le secteur (avec

cordon d'alimentation) ou votre outil électrique fonctionnant sur batterie (sans cordon d'alimentation).

#### Sécurité de la zone de travail

- ▶ **Conserver la zone de travail propre et bien éclairée.** Les zones en désordre ou sombres sont propices aux accidents.
- ▶ **Ne pas faire fonctionner les outils électriques en atmosphère explosive, par exemple en présence de liquides inflammables, de gaz ou de poussières.** Les outils électriques produisent des étincelles qui peuvent enflammer les poussières ou les fumées.
- ▶ **Maintenir les enfants et les personnes présentes à l'écart pendant l'utilisation de l'outil électrique.** Les distractions peuvent vous faire perdre le contrôle de l'outil.

#### Sécurité électrique

- ▶ **Il faut que les fiches de l'outil électrique soient adaptées au socle. Ne jamais modifier la fiche de quelque façon que ce soit. Ne pas utiliser d'adaptateurs avec des outils électriques à branchement de terre.** Des fiches non modifiées et des socles adaptés réduisent le risque de choc électrique.
- ▶ **Éviter tout contact du corps avec des surfaces reliées à la terre telles que les tuyaux, les radiateurs, les cuisinières et les réfrigérateurs.** Il existe un risque accru de choc électrique si votre corps est relié à la terre.
- ▶ **Ne pas exposer les outils électriques à la pluie ou à des conditions humides.** La pénétration d'eau à l'intérieur d'un outil électrique augmente le risque de choc électrique.
- ▶ **Ne pas maltraiter le cordon. Ne jamais utiliser le cordon pour porter, tirer ou débrancher l'outil électrique. Maintenir le cordon à l'écart de la chaleur, du lubrifiant, des arêtes vives ou des parties en mouvement.** Des cordons endommagés ou emmêlés augmentent le risque de choc électrique.
- ▶ **Lorsqu'on utilise un outil électrique à l'extérieur, utiliser un prolongateur adapté à l'utilisation extérieure.** L'utilisation d'un cordon adapté à l'utilisation extérieure réduit le risque de choc électrique.
- ▶ **Si l'usage d'un outil électrique dans un emplacement humide est inévitable, utiliser une alimentation protégée par un dispositif à courant différentiel résiduel (RCD).** L'usage d'un RCD réduit le risque de choc électrique.

#### Sécurité des personnes

- ▶ **Rester vigilant, regarder ce que vous êtes en train de faire et faire preuve de bon sens dans votre utilisation de l'outil électrique. Ne pas utiliser un outil électrique lorsque vous êtes fatigué ou sous l'emprise de drogues, de l'alcool ou de médicaments.** Un moment d'inattention en cours d'utilisation d'un outil électrique peut entraîner des blessures graves.
- ▶ **Utiliser un équipement de protection individuelle. Toujours porter une protection pour les yeux.** Les

équipements de protection individuelle tels que les masques contre les poussières, les chaussures de sécurité antidérapantes, les casques ou les protections auditives utilisés pour les conditions appropriées réduisent les blessures.

- ▶ **Éviter tout démarrage intempestif. S'assurer que l'interrupteur est en position arrêté avant de brancher l'outil au secteur et/ou au bloc de batteries, de le ramasser ou de le porter.** Porter les outils électriques en ayant le doigt sur l'interrupteur ou brancher des outils électriques dont l'interrupteur est en position marche est source d'accidents.
- ▶ **Retirer toute clé de réglage avant de mettre l'outil électrique en marche.** Une clé laissée fixée sur une partie tournante de l'outil électrique peut donner lieu à des blessures.
- ▶ **Ne pas se précipiter. Garder une position et un équilibre adaptés à tout moment.** Cela permet un meilleur contrôle de l'outil électrique dans des situations inattendues.
- ▶ **S'habiller de manière adaptée. Ne pas porter de vêtements amples ou de bijoux. Garder les cheveux et les vêtements à distance des parties en mouvement.** Des vêtements amples, des bijoux ou les cheveux longs peuvent être pris dans des parties en mouvement.
- ▶ **Si des dispositifs sont fournis pour le raccordement d'équipements pour l'extraction et la récupération des poussières, s'assurer qu'ils sont connectés et correctement utilisés.** Utiliser des collecteurs de poussière peut réduire les risques dus aux poussières.
- ▶ **Rester vigilant et ne pas négliger les principes de sécurité de l'outil sous prétexte que vous avez l'habitude de l'utiliser.** Une fraction de seconde d'inattention peut provoquer une blessure grave.

#### Utilisation et entretien de l'outil électrique

- ▶ **Ne pas forcer l'outil électrique. Utiliser l'outil électrique adapté à votre application.** L'outil électrique adapté réalise mieux le travail et de manière plus sûre au régime pour lequel il a été construit.
- ▶ **Ne pas utiliser l'outil électrique si l'interrupteur ne permet pas de passer de l'état de marche à arrêté et inversement.** Tout outil électrique qui ne peut pas être commandé par l'interrupteur est dangereux et il faut le réparer.
- ▶ **Débrancher la fiche de la source d'alimentation et/ou enlever le bloc de batteries, s'il est amovible, avant tout réglage, changement d'accessoires ou avant de ranger l'outil électrique.** De telles mesures de sécurité préventives réduisent le risque de démarrage accidentel de l'outil électrique.
- ▶ **Conserver les outils électriques à l'arrêt hors de la portée des enfants et ne pas permettre à des personnes ne connaissant pas l'outil électrique ou les présentes instructions de le faire fonctionner.** Les outils électriques sont dangereux entre les mains d'utilisateurs novices.



- ▶ **Observer la maintenance des outils électriques et des accessoires. Vérifier qu'il n'y a pas de mauvais alignement ou de blocage des parties mobiles, des pièces cassées ou toute autre condition pouvant affecter le fonctionnement de l'outil électrique. En cas de dommages, faire réparer l'outil électrique avant de l'utiliser.** De nombreux accidents sont dus à des outils électriques mal entretenus.
- ▶ **Garder affûtés et propres les outils permettant de couper.** Des outils destinés à couper correctement entretenus avec des pièces coupantes tranchantes sont moins susceptibles de bloquer et sont plus faciles à contrôler.
- ▶ **Utiliser l'outil électrique, les accessoires et les lames etc., conformément à ces instructions, en tenant compte des conditions de travail et du travail à réaliser.** L'utilisation de l'outil électrique pour des opérations différentes de celles prévues peut donner lieu à des situations dangereuses.
- ▶ **Il faut que les poignées et les surfaces de préhension restent sèches, propres et dépourvues d'huiles et de graisses.** Des poignées et des surfaces de préhension glissantes rendent impossibles la manipulation et le contrôle en toute sécurité de l'outil dans les situations attendues.

#### Utilisation des outils fonctionnant sur batteries et précautions d'emploi

- ▶ **Ne recharger qu'avec le chargeur spécifié par le fabricant.** Un chargeur qui est adapté à un type de bloc de batteries peut créer un risque de feu lorsqu'il est utilisé avec un autre type de bloc de batteries.
- ▶ **N'utiliser les outils électriques qu'avec des blocs de batteries spécifiquement désignés.** L'utilisation de tout autre bloc de batteries peut créer un risque de blessure et de feu.
- ▶ **Lorsqu'un bloc de batteries n'est pas utilisé, le maintenir à l'écart de tout autre objet métallique, par exemple trombones, pièces de monnaie, clés, clous, vis ou autres objets de petite taille qui peuvent donner lieu à une connexion d'une borne à une autre.** Le court-circuitage des bornes d'une batterie entre elles peut causer des brûlures ou un feu.
- ▶ **Dans de mauvaises conditions, du liquide peut être éjecté de la batterie; éviter tout contact. En cas de contact accidentel, nettoyer à l'eau. Si le liquide entre en contact avec les yeux, rechercher en plus une aide médicale.** Le liquide éjecté des batteries peut causer des irritations ou des brûlures.
- ▶ **Ne pas utiliser un bloc de batteries ou un outil fonctionnant sur batteries qui a été endommagé ou modifié.** Les batteries endommagées ou modifiées peuvent avoir un comportement imprévisible provoquant un feu, une explosion ou un risque de blessure.
- ▶ **Ne pas exposer un bloc de batteries ou un outil fonctionnant sur batteries au feu ou à une température ex-**

**cessive.** Une exposition au feu ou à une température supérieure à 130°C peut provoquer une explosion.

- ▶ **Suivre toutes les instructions de charge et ne pas charger le bloc de batteries ou l'outil fonctionnant sur batteries hors de la plage de températures spécifiée dans les instructions.** Un chargement incorrect ou à des températures hors de la plage spécifiée de températures peut endommager la batterie et augmenter le risque de feu.

#### Maintenance et entretien

- ▶ **Faire entretenir l'outil électrique par un réparateur qualifié utilisant uniquement des pièces de rechange identiques.** Cela assure le maintien de la sécurité de l'outil électrique.
- ▶ **Ne jamais effectuer d'opération d'entretien sur des blocs de batteries endommagés.** Il convient que l'entretien des blocs de batteries ne soit effectué que par le fabricant ou les fournisseurs de service autorisés.

#### Consignes de sécurité pour perceuses et visseuses

##### Instructions de sécurité pour toutes les opérations

- ▶ **Porter des protecteurs d'oreille lors de l'utilisation de la perceuse à percussion.** Porter des protecteurs d'oreille lors de l'utilisation de la perceuse à percussion.
- ▶ **Utiliser la ou les poignées auxiliaires.** La perte de contrôle peut provoquer des blessures.
- ▶ **Tenir l'outil électrique par les surfaces de préhension isolées, au cours des opérations pendant lesquelles l'accessoire de coupe ou les fixations peut être en contact avec un câblage caché.** Un accessoire de coupe ou les fixations en contact avec un fil "sous tension" peut "mettre sous tension" les parties métalliques exposées de l'outil électrique et provoquer un choc électrique chez l'opérateur.

##### Instructions de sécurité pour l'utilisation de forets longs

- ▶ **Ne jamais utiliser à une vitesse supérieure à la vitesse assignée maximale du foret.** À des vitesses supérieures, le foret est susceptible de se plier s'il peut tourner librement sans être en contact avec la pièce à usiner, ce qui provoque des blessures.
- ▶ **Toujours commencer à percer à faible vitesse et en mettant l'embout du foret en contact avec la pièce à usiner.** À des vitesses supérieures, le foret est susceptible de se plier s'il peut tourner librement sans être en contact avec la pièce à usiner, ce qui provoque des blessures.
- ▶ **Appliquer une pression uniquement sur le foret et ne pas appliquer de pression excessive.** Les forets peuvent se plier, ce qui peut provoquer leur casse ou une perte de contrôle, et donc des blessures.

##### Consignes de sécurité additionnelles

- ▶ **Maintenez bien l'outil électroportatif en place.** Lors du serrage ou du desserrage des vis, des couples de réaction élevés peuvent survenir en peu de temps.



- ▶ **Bloquez la pièce à travailler.** Une pièce à travailler serrée par des dispositifs de serrage appropriés ou dans un étau est fixée de manière plus sûre que quand elle est tenue avec une main.
- ▶ **Utilisez un détecteur approprié pour vérifier s'il n'y a pas de conduites cachées ou contactez votre société de distribution d'eau locale.** Tout contact avec des câbles électriques peut provoquer un incendie ou un choc électrique. Tout endommagement d'une conduite de gaz peut provoquer une explosion. La perforation d'une conduite d'eau provoque des dégâts matériels.
- ▶ **Avant de poser l'outil électroportatif, attendez que celui-ci soit complètement à l'arrêt.** L'outil risque de se coincer, ce qui entraînerait une perte de contrôle de l'outil électroportatif.
- ▶ **Si l'accu est endommagé ou utilisé de manière non conforme, des vapeurs peuvent s'échapper. L'accu peut brûler ou exploser.** Ventilez le local et consultez un médecin en cas de malaise. Les vapeurs peuvent entraîner des irritations des voies respiratoires.
- ▶ **N'ouvrez pas l'accu.** Risque de court-circuit.
- ▶ **Les objets pointus comme un clou ou un tournevis et le fait d'exercer une force extérieure sur le boîtier risque d'endommager l'accu.** Il peut en résulter un court-circuit interne et l'accu risque de s'enflammer, de dégager des fumées, d'exploser ou de surchauffer.
- ▶ **N'utilisez l'accu qu'avec des produits du fabricant.** Tout risque de surcharge dangereuse sera alors exclu.



**Conservez la batterie à l'abri de la chaleur, en la protégeant p. ex. de l'ensoleillement direct, du feu, de la saleté, de l'eau et de l'humidité.** Il existe un risque d'explosion et de courts-circuits.

- ▶ **Arrêtez immédiatement l'outil électroportatif dès que l'accessoire se bloque. Attendez-vous à des couples de réaction importants causant des rebonds.** L'accessoire se bloque quand il reste coincé dans la pièce ou quand l'outil électroportatif est en surcharge.
- ▶ **Attention ! En cas d'utilisation de l'outil électroportatif en mode Bluetooth, les ondes émises risquent de perturber le fonctionnement de certains appareils et installations ainsi que le fonctionnement des avions et des appareils médicaux (par ex. stimulateurs cardiaques, prothèses auditives). Les ondes émises peuvent aussi avoir un effet nocif sur les personnes et les animaux qui se trouvent à proximité immédiate de l'outil. N'utilisez pas l'outil électroportatif en mesure en mode Bluetooth à proximité d'appareils médicaux, de stations-service, d'usines chimiques et lorsque vous vous trouvez dans des zones à risque d'explosion ou dans des zones de dynamitage. N'utilisez pas l'outil électroportatif en mode Bluetooth dans des avions. Évitez une utilisation prolongée de l'outil très près du corps.**

**Le nom de marque Bluetooth® et le logo associé sont des marques déposées de la Bluetooth SIG, Inc. Toute utilisation**

**de cette marque/de ce logo par la société Robert Bosch Power Tools GmbH s'effectue sous licence.**

## Description des prestations et du produit



**Lisez attentivement toutes les instructions et consignes de sécurité.** Le non-respect des instructions et consignes de sécurité peut provoquer un choc électrique, un incendie et/ou entraîner de graves blessures.

Référez-vous aux illustrations qui se trouvent à l'avant de la notice d'utilisation.

### Utilisation conforme

L'outil électroportatif est conçu pour le vissage et le dévissage de vis ainsi que pour le perçage dans le bois, le métal, la céramique et les matières plastiques. La GSB est également conçue pour le perçage à percussion dans la brique, la maçonnerie et la pierre naturelle.

En cas d'utilisation d'un module Bluetooth® Low Energy GCY 42, les données et les réglages de l'outil électroportatif peuvent être transmis à un périphérique mobile par voie radio au moyen de la technologie Bluetooth®.

### Éléments constitutifs

La numérotation des éléments de l'appareil se réfère à la représentation de l'outil électroportatif sur la page graphique.

- (1) Porte-outil
- (2) Mandrin automatique
- (3) Butée de profondeur
- (4) Poignée supplémentaire (surface de préhension isolée)
- (5) Vis papillon pour réglage de la butée de profondeur
- (6) Bague de présélection de couple
- (7) Sélecteur de mode de fonctionnement
- (8) Sélecteur de vitesse
- (9) LED de la détection d'angle électronique (EAD)
- (10) Clip de ceinture
- (11) Accu
- (12) Bouton de déverrouillage d'accu
- (13) LED de travail (écran de contrôle)
- (14) Écran de contrôle
- (15) Porte-embout<sup>a)</sup>
- (16) Sélecteur de sens de rotation
- (17) Bouton Marche/Arrêt
- (18) Poignée (surface de préhension isolée)
- (19) Cache du module Bluetooth® Low Energy GCY 42
- (20) Touche Détection d'angle électronique (EAD) (écran de contrôle)
- (21) LED de l'angle d'inclinaison préréglé pour la détection d'angle électronique (EAD) (écran de contrôle)

(22) LED de l'outil électroportatif (écran de contrôle)

(23) LED du KickBack Control (écran de contrôle)

(24) Touche KickBack Control (écran de contrôle)

(25) Référence de la poignée supplémentaire 1 602 025 07Y

a) **Les accessoires décrits ou illustrés ne sont pas tous compris dans la fourniture. Vous trouverez les accessoires complets dans notre gamme d'accessoires.**

### Caractéristiques techniques

Perceuse-visseuse sans-fil		GSR 18V-150 C	GSB 18V-150 C
Référence		<b>3 601 JJ5 0..</b>	<b>3 601 JJ5 1..</b>
Tension nominale	V=	18	18
Régime à vide <sup>A)</sup>			
– 1re vitesse	tr/min	0–550	0–550
– 2e vitesse	tr/min	0–2 200	0–2 200
Fréquence de frappe <sup>A)</sup>	min <sup>-1</sup>	–	0–30 000
Couple de vissage (dur/tendre) selon ISO 5393 (2017) <sup>A)</sup>	Nm	100/84	100/84
Couple maxi <sup>A)</sup>	Nm	150	150
Ø de perçage maxi			
– Bois	mm	150	150
– Acier	mm	16	16
– Maçonnerie	mm	–	20
Porte-outil		1,5–13	1,5–13
Ø de vissage maxi	mm	13	13
Poids selon EPTA-Procédure 01:2014 <sup>B)</sup>	kg	2,4–3,5	2,5–3,6
Températures ambiantes recommandées pour la charge	°C	0 ... +35	0 ... +35
Températures ambiantes autorisées pour l'utilisation et pour le stockage	°C	–20 ... +50	–20 ... +50
Accus compatibles		GBA 18V... ProCORE18V...	GBA 18V... ProCORE18V...
Accus recommandés pour des performances maximales		ProCORE18V... ≥ 5,5 Ah	ProCORE18V... ≥ 5,5 Ah
Chargeurs recommandés		GAL 18... GAX 18... GAL 36...	GAL 18... GAX 18... GAL 36...

A) Mesuré à 20–25 °C avec accus **ProCORE18V 8.0Ah**.B) Mesuré avec **GBA 18V 1.5Ah** et **GBA 18V 12.0Ah**.

### Informations sur le niveau sonore/les vibrations

		GSR 18V-150 C	GSB 18V-150 C
Valeurs d'émissions sonores déterminées conformément à <b>EN 62841-2-1</b> .			
Le niveau sonore en dB(A) typique de l'outil électroportatif est de :			
Niveau de pression acoustique	dB(A)	<b>81</b>	<b>94</b>
Niveau de puissance acoustique	dB(A)	<b>92</b>	<b>105</b>
Incertitude K	dB	<b>5</b>	<b>5</b>
<b>Portez un casque antibruit !</b>			
Valeurs globales de vibration $a_h$ (somme vectorielle sur les trois axes) et incertitude K conformément à <b>EN 62841-2-1</b> :			
Perçage :			
$a_h$	$m/s^2$	<b>&lt; 2,5</b>	<b>&lt; 2,5</b>
K	$m/s^2$	<b>1,5</b>	<b>1,5</b>

Perçage avec percussion :

$a_h$	$m/s^2$	-	<b>9,5</b>
K	$m/s^2$	-	<b>1,5</b>

Le niveau de vibration et la valeur d'émission sonore indiqués dans cette notice d'utilisation ont été mesurés selon une procédure de mesure normalisée et peuvent être utilisés pour établir une comparaison entre différents outils électroportatifs. Ils peuvent aussi servir de base à une estimation préliminaire du taux de vibration et du niveau sonore.

Le niveau de vibration et la valeur d'émission sonore indiqués s'appliquent pour les utilisations principales de l'outil électroportatif. Si l'outil électroportatif est utilisé pour d'autres applications, avec d'autres accessoires de travail ou sans avoir fait l'objet d'un entretien régulier, le niveau de vibration et la valeur d'émission sonore peuvent différer. Il peut en résulter des vibrations et un niveau sonore nettement plus élevés pendant toute la durée de travail.

Pour une estimation précise du niveau de vibration et du niveau sonore, il faut aussi prendre en considération les périodes pendant lesquelles l'outil est éteint ou bien en marche sans être vraiment en action. Il peut en résulter au final un niveau de vibration et un niveau sonore nettement plus faibles pendant toute la durée de travail.

Prévoyez des mesures de protection supplémentaires permettant de protéger l'utilisateur de l'effet des vibrations, par exemple : maintenance de l'outil électroportatif et des accessoires de travail, maintien des mains au chaud, organisation des procédures de travail.

## Montage

► **Retirez l'accu de l'appareil électroportatif avant toute intervention (opérations d'entretien/de maintenance, changement d'accessoire, etc.) ainsi que lors de son transport et rangement.** Il y a sinon risque de blessure lorsqu'on appuie par mégarde sur l'interrupteur Marche/Arrêt.

## Mise en place du module **Bluetooth® Low Energy GCY 42**

Pour plus d'informations, veuillez lire la notice d'utilisation du module **Bluetooth® Low Energy GCY 42**.

## Recharge de l'accu

► **N'utilisez que les chargeurs indiqués dans les Caractéristiques techniques.** Ils sont les seuls à être adaptés à l'accu Lithium-Ion de votre outil électroportatif.

**Remarque :** L'accu est fourni partiellement chargé. Pour obtenir les performances maximales, chargez l'accu jusqu'à sa pleine capacité avant la première utilisation.

L'accu Lithium-Ion peut être rechargé à tout moment, sans risquer de réduire sa durée de vie. Le fait d'interrompre le processus de charge n'endommage pas l'accu.

L'accu Lithium-Ion est protégé contre une décharge complète par « Electronic Cell Protection (ECP) » (l'électronique de protection des cellules). Lorsque l'accu est déchargé, l'outil électroportatif s'arrête grâce à un dispositif d'arrêt de protection : l'accessoire de travail ne tourne plus.

► **Après l'arrêt automatique de l'outil électroportatif, n'appuyez plus sur l'interrupteur Marche/Arrêt.** L'accu pourrait être endommagé.

Respectez les indications concernant l'élimination.

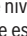
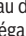
## Retrait de l'accu

L'accu (**11**) dispose de deux positions de verrouillage permettant d'éviter que l'accu tombe si l'on appuie par mégarde sur la touche de déverrouillage de l'accu (**12**). Tant que l'accu reste en place dans l'outil électroportatif, un ressort le maintient en position.

Pour retirer l'accu (**11**), appuyez sur la touche de déverrouillage (**12**) et dégagez l'accu de l'outil électroportatif. **Ne forcez pas.**

## Indicateur de niveau de charge de l'accu

Les LED vertes de l'indicateur d'état de charge indiquent le niveau de charge de la batterie. Pour des raisons de sécurité, il n'est possible d'afficher l'état de charge que quand l'outil électroportatif est à l'arrêt.

Pour afficher le niveau de charge, appuyez sur le bouton de l'indicateur de niveau de charge  ou . L'affichage du niveau de charge est également possible après retrait de l'accu.

Si aucune LED ne s'allume après avoir appuyé sur le bouton de l'indicateur de niveau de charge, la batterie est défectueuse et doit être remplacée.

**Remarque :** Le niveau de charge de l'accu est également affiché sur l'écran de contrôle (**14**) (voir « Affichages d'état », Page 22).

## Batterie de type GBA 18V...



LED	Capacité
3 LED allumées en vert	60-100 %
2 LED allumées en vert	30-60 %
1 LED allumée en vert	5-30 %
Clignotement en vert d'1 LED	0-5 %

**Batterie de type ProCORE18V...**

LED	Capacité
5 LED allumées en vert	80–100 %
4 LED allumées en vert	60–80 %
3 LED allumées en vert	40–60 %
2 LED allumées en vert	20–40 %
1 LED allumée en vert	5–20 %
Clignotement en vert d'1 LED	0–5 %

**Poignée supplémentaire**

- **N'utilisez l'outil électroportatif qu'avec la poignée supplémentaire (4).**

**Cet outil électroportatif doit uniquement être utilisé avec la poignée supplémentaire portant la référence 1 602 025 07Y.**

- **Avant d'effectuer des travaux, assurez vous que la poignée supplémentaire est bien serrée.** Toute perte de contrôle de l'outil peut provoquer des blessures. Veillez à serrer la poignée supplémentaire avec un couple adapté à la méthode de fixation. Fixez-la à l'outil électroportatif de façon à exclure tout mouvement autour ou le long de l'axe du foret.

**Montage de la poignée supplémentaire**

Pour ouvrir la poignée supplémentaire, tournez la zone de préhension inférieure de la poignée supplémentaire (4) dans le sens inverse des aiguilles d'une montre.

Repoussez la partie intermédiaire de la poignée supplémentaire et maintenez-la dans cette position.

Glissez la poignée supplémentaire au-dessus du mandrin pour la fixer à l'outil électroportatif.

Relâchez ensuite la partie intermédiaire.

Resserrez ensuite la poignée supplémentaire (4) en la tournant dans le sens horaire.

**Pivotement de la poignée supplémentaire**

La poignée supplémentaire (4) peut être orientée dans n'importe quelle position, pour obtenir une position de travail sûre et peu fatigante.

Tournez la poignée supplémentaire (4) dans le sens antihoraire et orientez la poignée supplémentaire (4) dans la position souhaitée. Resserrez ensuite la poignée supplémentaire (4) en la tournant dans le sens horaire.

**Réglage de la profondeur de perçage**

La butée de profondeur (3) permet de régler la profondeur de perçage X désirée.

Desserrez la vis à oreille pour le réglage de la butée de profondeur (5) et insérez la butée de profondeur dans la poignée supplémentaire (4).

Déplacez la butée de profondeur (3) jusqu'à ce que l'écart entre la pointe du foret et la pointe de la butée de profon-

deur (3) corresponde à la profondeur de perçage X souhaitée.

Resserrez la vis à oreille pour le réglage de la butée de profondeur (5).

**Changement d'accessoire (voir figure A)**

- **Retirez l'accu de l'appareil électroportatif avant toute intervention (opérations d'entretien/de maintenance, changement d'accessoire, etc.) ainsi que lors de son transport et rangement.** Il y a sinon risque de blessure lorsqu'on appuie par mégarde sur l'interrupteur Marche/Arrêt.

Lorsque l'interrupteur Marche/Arrêt (17) n'est pas actionné, la broche de perçage est bloquée. Cela permet de changer facilement et rapidement l'accessoire de travail qui se trouve dans le mandrin.

Ouvrez le mandrin automatique (2) en le tournant dans le sens ❶ jusqu'à ce que l'accessoire puisse être inséré. Insérez l'accessoire de travail.

Tournez fermement à la main la bague du mandrin automatique (2) dans le sens ❷. Le mandrin se verrouille alors automatiquement.

**Aspiration de poussières/de copeaux**

Les poussières de matériaux tels que peintures contenant du plomb, certains bois, minéraux ou métaux, peuvent être nuisibles à la santé. Entrer en contact ou aspirer les poussières peut entraîner des réactions allergiques et/ou des maladies respiratoires auprès de l'utilisateur ou de personnes se trouvant à proximité.

Certaines poussières telles que les poussières de chêne ou de hêtre sont considérées comme cancérigènes, surtout en association avec des additifs pour le traitement du bois (chromate, lazure). Les matériaux contenant de l'amiante ne doivent être travaillés que par des personnes qualifiées.

- Veillez à bien aérer la zone de travail.
- Il est recommandé de porter un masque respiratoire avec un niveau de filtration de classe P2.

Respectez les règlements spécifiques aux matériaux à traiter en vigueur dans votre pays.

- **Évitez toute accumulation de poussières sur le lieu de travail.** Les poussières peuvent facilement s'enflammer.


**Mise en marche****Mise en marche****Montage de l'accu**


**Remarque :** L'utilisation d'accus non conçus pour votre outil électroportatif peut entraîner des dysfonctionnements ou endommager l'outil électroportatif.

Mettez le sélecteur de sens de rotation (16) en position médiane pour éviter toute mise en marche non-intentionnelle. Montez l'accu chargé (11) dans la poignée jusqu'à ce qu'il s'encliquette de façon perceptible et affleure avec la poignée.

### Sélection du sens de rotation (voir figure B)

Le sélecteur de sens de rotation (16) permet d'inverser le sens de rotation de l'outil électroportatif. Cela n'est toutefois pas possible lorsqu'on appuie sur l'interrupteur Marche/Arrêt (17).

 **Rotation droite** : Poussez des deux côtés le sélecteur de sens de rotation (16) jusqu'en butée dans la position ←.

 **Rotation gauche** : Poussez des deux côtés le sélecteur de sens de rotation (16) jusqu'en butée dans la position →.

### Sélection du mode de fonctionnement



#### Perçage

Placez le sélecteur de mode de fonctionnement (7) sur le symbole « Perçage ».



#### Vissage

Placez le sélecteur de mode de fonctionnement (7) sur le symbole « Vis ».



#### Perçage avec percussion (GSB 18V-150 C)

Placez le sélecteur de mode de fonctionnement (7) sur le symbole « Perçage avec percussion ».

### Mise en marche/arrêt

Pour **mettre en marche** l'outil électroportatif, actionnez l'interrupteur Marche/Arrêt (17) et maintenez-le actionné.

La LED (13) s'allume lorsque l'interrupteur Marche/Arrêt (17) est enfoncé un peu ou complètement. Elle permet d'éclairer la zone de travail dans les endroits sombres.

Pour **arrêter** l'outil électroportatif, relâchez l'interrupteur Marche/Arrêt (17).

### Réglage de la vitesse de rotation

Il est possible de faire varier en continu la vitesse de rotation de l'outil électroportatif en exerçant plus ou moins de pression sur l'interrupteur Marche/Arrêt (17).

Une légère pression sur l'interrupteur Marche/Arrêt (17) produit une faible vitesse de rotation. Plus l'on exerce de pression, plus la vitesse de rotation augmente.

### Présélection du couple (pour le mode vissage)

La bague de présélection de couple (6) permet de préréglager le couple dans 25 positions. Dès que le couple réglé est atteint, l'accessoire de travail s'immobilise.

### Sélection mécanique de la vitesse

► **N'actionnez le sélecteur de vitesse (8) que quand l'outil électroportatif est à l'arrêt.**

#### Vitesse 1 :

Plage de basses vitesses ; pour diamètres de perçage importants ou pour les vissages.

#### Vitesse 2 :

Plage de hautes vitesses ; pour les petits diamètres de perçage.

► **Poussez le sélecteur de vitesse toujours jusqu'à la butée.** L'outil électroportatif risque sinon d'être endommagé.

### Dispositif d'arrêt rapide (KickBack Control)



**Le dispositif d'arrêt rapide (KickBack Control) améliore la maîtrise de l'outil électroportatif et donc la sécurité d'utilisation par rapport aux outils électroportatifs sans KickBack Control. L'outil électroportatif s'arrête immédiatement dès qu'il se met subitement, et de façon imprévisible, à tourner autour de l'axe du foret.**

L'activation du dispositif d'arrêt rapide est signalée par le clignotement rouge de la LED (22), le clignotement de la LED de travail (13) et l'allumage en rouge de la LED du KickBack Control (23) sur l'outil électroportatif.

Pour **remettre en marche** l'outil électroportatif, relâchez l'interrupteur Marche/Arrêt et actionnez-le à nouveau.

► **En cas de défaillance de la fonction KickBack Control, l'outil électroportatif ne peut plus être mis en marche. Faites réparer l'outil électroportatif par un professionnel qualifié utilisant uniquement des pièces de rechange Bosch d'origine.**

Le dispositif d'arrêt rapide peut être désactivé en actionnant la touche (24) sur l'écran de contrôle (14). Le dispositif d'arrêt rapide se réactive automatiquement après 5 minutes de non-utilisation de l'outil électroportatif ou en cas de retrait de l'accu. L'état actuel est signalé par la LED du KickBack Control (23) sur l'écran de contrôle (14).

Veillez tenir compte du fait que l'avertissement lumineux n'est pas visible à partir de toutes les directions. L'avertissement lumineux est difficilement reconnaissable par forte luminosité.

### Détection d'angle électronique (EAD)

La détection d'angle électronique (EAD) permet de prédéfinir un angle d'inclinaison et de guider ensuite l'utilisateur de façon à ce qu'il respecte cet angle. Elle permet par exemple de percer ou visser perpendiculairement à une surface inclinée. La détection d'angle électronique (EAD) est paramétrable au niveau de l'écran de contrôle (14).

Sélectionnez un angle (45°, 60° ou personnalisé) sur l'écran de contrôle (14). **Remarque** : Un angle de 90° est prédéfini par défaut. Il est possible de modifier cet angle dans l'application mobile Bosch.

Pour la sélection de l'angle, actionnez la touche Détection d'angle électronique (EAD) (20) jusqu'à ce que la LED correspondant à l'angle d'inclinaison souhaité (21) se mette à clignoter.

En plus de la LED d'angle d'inclinaison (21), la LED de la détection d'angle électronique (EAD) (9) se met à clignoter en jaune. Positionnez alors l'outil électroportatif sur la surface souhaitée et maintenez-le en position sans bouger. **Remarque** : Si l'outil électroportatif n'est pas maintenu calmement en position pendant la procédure d'initialisation, cette dernière s'interrompt automatiquement au bout de 10 s et la dernière valeur réglée est resélectionnée. Après le positionnement de l'outil électroportatif sur la sur-

face débute la procédure d'initialisation. Au cours de la procédure d'initialisation, l'outil enregistre la surface (phase d'apprentissage). Au terme de la procédure d'initialisation, la LED de la détection d'angle électronique (EAD) (9) s'allume en vert pendant env. 1 s puis s'éteint et la LED de l'angle d'inclinaison (21) s'allume en continu.

Retirez alors l'outil électroportatif de la surface. Inclinez l'outil électroportatif de l'angle souhaité par rapport à la surface apprise précédemment. La LED (22) s'allume en jaune quand l'angle d'inclinaison se situe dans une plage de  $\pm 10^\circ$  par rapport à l'angle d'inclinaison préréglé.

Quand l'angle d'inclinaison devient très proche de l'angle d'inclinaison préréglé (tolérance de  $\pm 3^\circ$ ), la LED (9) s'allume en vert.

Pour désactiver la détection d'angle électronique (EAD), actionnez la touche Détection d'angle électronique (EAD) (20) jusqu'à ce que toutes les LED de présélection d'angle d'inclinaison (21) s'éteignent ( $45^\circ \rightarrow 60^\circ \rightarrow$  Personnalisé  $\rightarrow$  Éteint). L'angle préréglé et la surface de référence sont conservés en mémoire même lors d'un changement d'accu ou quand l'outil électroportatif se met en veille.

#### Écran de contrôle (voir figure D)

L'écran de contrôle (14) sert à la présélection et au contrôle de l'angle d'inclinaison dans le cadre de la détection d'angle électronique (EAD) ainsi qu'à désactiver le dispositif d'arrêt rapide (KickBack Control) et à afficher l'état de l'outil électroportatif.

#### Affichages d'état

Affichage d'état de l'outil électroportatif (22)	Signification/cause	Remède
Vert	État OK	–
Jaune	Température critique atteinte, accu presque vide ou dispositif KickBack Control désactivé	Faites fonctionner l'outil électroportatif à vide et attendez qu'il refroidisse ou bien changez / rechargez l'accu ou bien actionnez la touche KickBack Control
Rouge non clignotant	Outil électroportatif en surchauffe ou accu vide	Laissez refroidir l'outil électroportatif ou bien changez / rechargez l'accu
Rouge clignotant	Entrée en action du dispositif d'arrêt rapide (KickBack Control)	Éteignez et remettez en marche l'outil électroportatif
Bleu clignotant	L'outil électroportatif est connecté à un appareil mobile ou les réglages sont en train d'être transmis	–

Affichage d'état de l'outil électroportatif (9)	Signification/cause
Vert	L'angle préréglé est atteint avec une tolérance de $\pm 3^\circ$ par rapport à la surface apprise <sup>A)</sup>
Jaune	L'angle préréglé est atteint avec une tolérance de $\pm 10^\circ$ par rapport à la surface apprise <sup>A)</sup>
Jaune clignotant puis brièvement en vert	Apprentissage de la surface en cours
Jaune clignotant puis brièvement en jaune	Procédure d'initialisation pas effectuée correctement

A) La précision de mesure absolue peut varier en raison de différents facteurs (p. ex. mauvaise orientation de l'outil par rapport à la vis en raison du jeu avec l'embout de vissage et/ou l'adaptateur ; défaut de planéité de la surface servant de référence, etc.)

#### Fonctions de connectivité

En combinaison avec le module *Bluetooth*® Low Energy **GCY 42**, les fonctions de connectivité suivantes sont disponibles pour l'outil électroportatif :

- Enregistrement et personnalisation
- Vérification d'état, émission d'avertissements
- Informations générales et réglages
- Gestion

Pour plus d'informations, veuillez lire la notice d'utilisation du module *Bluetooth*® Low Energy **GCY 42**.

#### Instructions d'utilisation

- ▶ **En présence du module *Bluetooth*® Low Energy GCY 42, l'outil électroportatif est doté d'une interface radio. Observez les restrictions d'utilisation locales en vigueur, par ex. dans les avions ou dans les hôpitaux.**
- ▶ **Ne positionnez l'outil électroportatif sur la vis que lorsqu'il est arrêté.** Un accessoire en rotation risque de glisser.

Pour retirer un embout de vissage ou le porte-embout universel, il est permis de s'aider d'un outil.

#### Clip de ceinture

Le clip de ceinture (10) permet d'accrocher l'outil électroportatif à une ceinture ou autre. Vous avez donc les deux mains libres et l'outil électroportatif est à tout moment à portée de main.

## Entretien et Service après-vente

### Nettoyage et entretien

- **Retirez l'accu de l'appareil électroportatif avant toute intervention (opérations d'entretien/de maintenance, changement d'accessoire, etc.) ainsi que lors de son transport et rangement.** Il y a sinon risque de blessure lorsqu'on appuie par mégarde sur l'interrupteur Marche/Arrêt.
- **Tenez toujours propres l'outil électroportatif ainsi que les fentes de ventilation afin d'obtenir un travail impeccable et sûr.**

### Service après-vente et conseil utilisateurs

Notre Service après-vente répond à vos questions concernant la réparation et l'entretien de votre produit et les pièces de rechange. Vous trouverez des vues éclatées et des informations sur les pièces de rechange sur le site :

**www.bosch-pt.com**

L'équipe de conseil utilisateurs Bosch se tient à votre disposition pour répondre à vos questions concernant nos produits et leurs accessoires.

Pour toute demande de renseignement ou toute commande de pièces de rechange, précisez impérativement la référence à 10 chiffres figurant sur l'étiquette signalétique du produit.

#### Maroc

Robert Bosch Morocco SARL  
53, Rue Lieutenant Mahroud Mohamed  
20300 Casablanca  
Tel.: +212 5 29 31 43 27  
E-Mail : sav.outillage@ma.bosch.com

#### Vous trouverez d'autres adresses du service après-vente sous :

[www.bosch-pt.com/serviceaddresses](http://www.bosch-pt.com/serviceaddresses)

### Transport

Les accus Lithium-ion sont soumis à la réglementation relative au transport de matières dangereuses. Pour le transport par voie routière, aucune mesure supplémentaire n'a besoin d'être prise.

Lors d'une expédition par un tiers (par ex. transport aérien ou entreprise de transport), des mesures spécifiques doivent être prises concernant l'emballage et le marquage. Pour la préparation de l'envoi, faites-vous conseiller par un expert en transport de matières dangereuses.

N'expédiez que des accus dont le boîtier n'est pas endommagé. Recouvrez les contacts non protégés et emballez l'accu de manière à ce qu'il ne puisse pas se déplacer dans l'emballage. Veuillez également respecter les réglementations supplémentaires éventuellement en vigueur.

### Élimination des déchets



Les outils électroportatifs, les accus ainsi que leurs accessoires et emballages doivent être rapportés dans un centre de recyclage respectueux de l'environnement.



Ne jetez pas les outils électroportatifs et les accus/piles avec les ordures ménagères !

#### Accus/piles :

##### Li-Ion :

Veuillez respecter les indications se trouvant dans le chapitre Transport (voir « Transport », Page 23).

## Português

### Instruções de segurança

#### Instruções gerais de segurança para ferramentas eléctricas

##### ⚠ AVISO

**Devem ser lidas todas as indicações de segurança,**

**instruções, ilustrações e especificações desta ferramenta eléctrica.** O desrespeito das instruções apresentadas abaixo poderá resultar em choque eléctrico, incêndio e/ou ferimentos graves.

#### **Guarde bem todas as advertências e instruções para futura referência.**

O termo "ferramenta eléctrica" utilizado a seguir nas indicações de advertência, refere-se a ferramentas eléctricas operadas com corrente de rede (com cabo de rede) e a ferramentas eléctricas operadas com acumulador (sem cabo de rede).

#### Segurança da área de trabalho

- **Mantenha a sua área de trabalho sempre limpa e bem iluminada.** Desordem ou áreas de trabalho insuficientemente iluminadas podem levar a acidentes.
- **Não trabalhar com a ferramenta eléctrica em áreas com risco de explosão, nas quais se encontrem líquidos, gases ou pós inflamáveis.** Ferramentas eléctricas produzem faíscas, que podem inflamar pós ou vapores.
- **Manter crianças e outras pessoas afastadas da ferramenta eléctrica durante a utilização.** No caso de distração é possível que perca o controlo sobre o aparelho.

#### Segurança eléctrica

- **A ficha de conexão da ferramenta eléctrica deve caber na tomada. A ficha não deve ser modificada de maneira alguma. Não utilizar uma ficha de adaptação junto com ferramentas eléctricas protegidas por**



**ligação à terra.** Fichas não modificadas e tomadas apropriadas reduzem o risco de um choque eléctrico.

- ▶ **Evitar que o corpo possa entrar em contacto com superfícies ligadas à terra, como tubos, aquecimentos, fogões e frigoríficos.** Há um risco elevado devido a um choque eléctrico, se o corpo estiver ligado à terra.
- ▶ **Manter o aparelho afastado de chuva ou humidade.** A infiltração de água numa ferramenta eléctrica aumenta o risco de choque eléctrico.
- ▶ **Não deverá utilizar o cabo para outras finalidades. Nunca utilizar o cabo para transportar a ferramenta eléctrica, para pendurá-la, nem para puxar a ficha da tomada. Manter o cabo afastado do calor, do óleo, de arestas afiadas ou de peças em movimento.** Cabos danificados ou emaranhados aumentam o risco de um choque eléctrico.
- ▶ **Se trabalhar com uma ferramenta eléctrica ao ar livre, só deverá utilizar cabos de extensão apropriados para áreas exteriores.** A utilização de um cabo de extensão apropriado para áreas exteriores reduz o risco de um choque eléctrico.
- ▶ **Se não for possível evitar o funcionamento da ferramenta eléctrica em áreas húmidas, deverá ser utilizado um disjuntor de corrente de avaria.** A utilização de um disjuntor de corrente de avaria reduz o risco de um choque eléctrico.

#### Segurança de pessoas

- ▶ **Esteja atento, observe o que está a fazer e tenha prudência ao trabalhar com a ferramenta eléctrica. Não utilizar uma ferramenta eléctrica quando estiver fatigado ou sob a influência de drogas, álcool ou medicamentos.** Um momento de descuido ao utilizar a ferramenta eléctrica, pode levar a lesões graves.
- ▶ **Utilizar equipamento de protecção individual. Utilizar sempre óculos de protecção.** A utilização de equipamento de protecção pessoal, como máscara de protecção contra pó, sapatos de segurança antiderrapantes, capacete de segurança ou protecção auricular, de acordo com o tipo e aplicação da ferramenta eléctrica, reduz o risco de lesões.
- ▶ **Evitar uma colocação em funcionamento involuntária. Assegure-se de que a ferramenta eléctrica esteja desligada, antes de conectá-la à alimentação de rede e/ou ao acumulador, antes de levantá-la ou de transportá-la.** Se tiver o dedo no interruptor ao transportar a ferramenta eléctrica ou se o aparelho for conectado à alimentação de rede enquanto estiver ligado, poderão ocorrer acidentes.
- ▶ **Remover ferramentas de ajuste ou chaves de boca antes de ligar a ferramenta eléctrica.** Uma ferramenta ou chave que se encontre numa parte do aparelho em movimento pode levar a lesões.
- ▶ **Evite uma posição anormal. Mantenha uma posição firme e mantenha sempre o equilíbrio.** Desta forma é

mais fácil controlar a ferramenta eléctrica em situações inesperadas.

- ▶ **Usar roupa apropriada. Não usar roupa larga nem jóias. Mantenha os cabelos e roupas afastados de peças em movimento.** Roupas frouxas, cabelos longos ou jóias podem ser agarrados por peças em movimento.
- ▶ **Se for possível montar dispositivos de aspiração ou de recolha, assegure-se de que estejam conectados e utilizados correctamente.** A utilização de uma aspiração de pó pode reduzir o perigo devido ao pó.
- ▶ **Não deixe que a familiaridade resultante de uma utilização frequente de ferramentas permita que você se torne complacente e ignore os princípios de segurança da ferramenta.** Uma acção descuidada pode causar ferimentos graves numa fracção de segundo.

#### Utilização e manuseio cuidadoso de ferramentas eléctricas

- ▶ **Não sobrecarregue a ferramenta eléctrica. Utilize a ferramenta eléctrica apropriada para o seu trabalho.** É melhor e mais seguro trabalhar com a ferramenta eléctrica apropriada na área de potência indicada.
- ▶ **Não utilizar uma ferramenta eléctrica com um interruptor defeituoso.** Uma ferramenta eléctrica que não pode mais ser ligada nem desligada, é perigosa e deve ser reparada.
- ▶ **Puxar a ficha da tomada e/ou remover o acumulador, se amovível, antes de executar ajustes na ferramenta eléctrica, de substituir acessórios ou de guardar as ferramentas eléctricas.** Esta medida de segurança evita o arranque involuntário da ferramenta eléctrica.
- ▶ **Guardar ferramentas eléctricas não utilizadas fora do alcance de crianças e não permitir que as pessoas que não estejam familiarizadas com o aparelho ou que não tenham lido estas instruções utilizem o aparelho.** Ferramentas eléctricas são perigosas se forem utilizadas por pessoas inexperientes.
- ▶ **Tratar a ferramenta eléctrica e os acessórios com cuidado. Controlar se as partes móveis do aparelho funcionam perfeitamente e não emperram, e se há peças quebradas ou danificadas que possam prejudicar o funcionamento da ferramenta eléctrica. Permitir que peças danificadas sejam reparadas antes da utilização.** Muitos acidentes têm como causa, a manutenção insuficiente de ferramentas eléctricas.
- ▶ **Manter as ferramentas de corte afiadas e limpas.** Ferramentas de corte cuidadosamente tratadas e com cantos de corte afiados emperram com menos frequência e podem ser conduzidas com maior facilidade.
- ▶ **Utilizar a ferramenta eléctrica, acessórios, ferramentas de aplicação, etc. conforme estas instruções. Considerar as condições de trabalho e a tarefa a ser executada.** A utilização de ferramentas eléctricas para outras tarefas a não ser as aplicações previstas, pode levar a situações perigosas.
- ▶ **Mantenha os punhos e as superfícies de agarrar secas, limpas e livres de óleo e massa consistente.** Punhos e



superfícies de agarrar escorregadias não permitem o manuseio e controle seguros da ferramenta em situações inesperadas.

#### **Manuseio e utilização cuidadosos de ferramentas com acumuladores**

- ▶ **Só carregar acumuladores em carregadores recomendados pelo fabricante.** Há perigo de incêndio se um carregador apropriado para um certo tipo de acumuladores for utilizado para carregar acumuladores de outros tipos.
- ▶ **Só utilizar ferramentas eléctricas com os acumuladores apropriados.** A utilização de outros acumuladores pode levar a lesões e perigo de incêndio.
- ▶ **Manter o acumulador que não está sendo utilizado afastado de cliques, moedas, chaves, parafusos ou outros pequenos objectos metálicos que possam causar um curto-circuito dos contactos.** Um curto-circuito entre os contactos do acumulador pode ter como consequência queimaduras ou fogo.
- ▶ **No caso de aplicação incorrecta pode vaziar líquido do acumulador. Evitar o contacto. No caso de um contacto accidental, deverá enxaguar com água. Se o líquido entrar em contacto com os olhos, também deverá consultar um médico.** Líquido que escapa do acumulador pode levar a irritações da pele ou a queimaduras.
- ▶ **Não use um acumulador ou uma ferramenta danificada ou modificada.** Os acumuladores danificados ou modificados exibem um comportamento imprevisível podendo causar incêndio, explosão ou risco de lesão.
- ▶ **Não exponha o acumulador ou a ferramenta ao fogo ou temperatura excessiva.** A exposição ao fogo ou a temperaturas acima de 130 °C pode causar explosão.
- ▶ **Siga todas as instruções de carregamento e não carregue o acumulador ou a ferramenta fora da faixa de temperatura especificada no manual de instruções.** Carregar indevidamente ou em temperaturas fora da faixa especificada pode danificar o acumulador e aumentar o risco de incêndio.

#### **Serviço**

- ▶ **Só permita que o seu aparelho seja reparado por pessoal especializado e qualificado e só com peças de reposição originais.** Desta forma é assegurado o funcionamento seguro do aparelho.
- ▶ **Nunca tente reparar acumuladores danificados.** A reparação de acumuladores deve ser realizada apenas pelo fabricante ou agentes de assistência autorizados.

#### **Indicações de segurança para berbequins e aparafusadoras**

##### **Instruções de segurança para todas as operações**

- ▶ **Use protetores auditivos ao perfurar com impacto.** A exposição ao ruído pode provocar a perda da audição.
- ▶ **Use o(s) punho(s) auxiliar(es).** A perda de controlo pode resultar em ferimentos pessoais.

- ▶ **Segure a ferramenta eléctrica nas superfícies de agarrar isoladas, ao executar uma operação onde o acessório de corte ou elemento de fixação possam entrar em contacto com cabos escondidos.** Se o acessório de corte ou os elementos de fixação entrarem em contacto com um cabo "sob tensão", as partes metálicas expostas da ferramenta eléctrica ficam "sob tensão" e podem produzir um choque eléctrico.

##### **Instruções de segurança ao usar brocas longas**

- ▶ **Nunca opere a uma velocidade maior do que a velocidade máxima da broca.** A velocidades mais altas, a broca pode dobrar-se ao rodar livremente sem entrar em contacto com a peça de trabalho, causando ferimento pessoal.
- ▶ **Comece sempre a perfurar a baixa velocidade e com a ponta da broca em contacto com a peça de trabalho.** A velocidades mais altas, a broca pode dobrar-se ao rodar livremente sem entrar em contacto com a peça de trabalho, causando ferimento pessoal.
- ▶ **Aplique pressão apenas em linha directa com a broca e não aplique pressão excessiva.** As brocas podem dobrar-se, causando rutura ou perda de controlo, ou mesmo ferimento pessoal.

##### **Instruções de segurança adicionais**

- ▶ **Segure bem a ferramenta eléctrica.** Ao apertar e soltar parafusos podem ocorrer temporariamente elevados momentos de reacção.
- ▶ **Fixar a peça a ser trabalhada.** Uma peça a ser trabalhada fixa com dispositivos de aperto ou com torno de bancada está mais firme do que segurada com a mão.
- ▶ **Utilizar detetores apropriados, para encontrar cabos escondidos, ou consulte a companhia eléctrica local.** O contacto com cabos eléctricos pode provocar fogo e choques eléctricos. Danos em tubos de gás podem levar à explosão. A infiltração num cano de água provoca danos materiais.
- ▶ **Espere que a ferramenta eléctrica pare completamente, antes de depositá-la.** A ferramenta de aplicação pode emperrar e levar à perda de controlo sobre a ferramenta eléctrica.
- ▶ **Em caso de danos e de utilização incorreta da bateria, podem escapar vapores. A bateria pode incendiar-se ou explodir.** Areje o espaço e procure assistência médica no caso de apresentar queixas. É possível que os vapores irrite as vias respiratórias.
- ▶ **Não abrir o acumulador.** Há risco de um curto-circuito.
- ▶ **Os objetos afiados como, p. ex., pregos ou chaves de fendas, assim como o efeito de forças externas podem danificar o acumulador.** Podem causar um curto-circuito interno e o acumulador pode ficar queimado, deitar fumo, explodir ou sobreaquecer.
- ▶ **Use a bateria apenas em produtos do fabricante.** Só assim é que a bateria é protegida contra sobrecarga perigosa.



**Proteger a bateria contra calor, p. ex. também contra uma permanente radiação solar, fogo, sujidade, água e humidade.** Há risco de explosão ou de um curto-circuito.



- ▶ **Desligue a ferramenta de imediato se a ferramenta de trabalho encravar. Esteja atento aos binários de reação que podem dar origem a contragolpes.** O acessório acoplável fica encravado se a ferramenta elétrica for sobrecarregada ou se ficar emperrada na peça a ser trabalhada.
- ▶ **Cuidado! A utilização da ferramenta elétrica com Bluetooth® pode dar origem a avarias noutros aparelhos e instalações, aviões e dispositivos médicos (p. ex. pacemakers, aparelhos auditivos). Do mesmo modo, não é possível excluir totalmente danos para pessoas e animais que se encontrem nas proximidades imediatas. Não utilize a ferramenta elétrica com Bluetooth® na proximidade de dispositivos médicos, postos de abastecimento de combustível, instalações químicas, áreas com perigo de explosão e zonas de demolição. Não utilize a ferramenta elétrica com Bluetooth® em aviões. Evite a operação prolongada em contacto direto com o corpo.**

A marca nominativa *Bluetooth®* tal como o símbolo (logótipo), são marcas registadas e propriedade da *Bluetooth SIG, Inc.* Qualquer utilização desta marca nominativa/deste símbolo por parte da *Robert Bosch Power Tools GmbH* possui a devida autorização.

## Descrição do produto e do serviço



**Leia todas as instruções de segurança e instruções.** A inobservância das instruções de segurança e das instruções pode causar choque elétrico, incêndio e/ou ferimentos graves.

Respeite as figuras na parte da frente do manual de instruções.

### Utilização adequada

A ferramenta elétrica destina-se a apertar e desapertar parafusos e a furar madeira, metal, cerâmica e plástico. O GSB destina-se adicionalmente a furar com percussão em tijolo, alvenaria e pedra.

Os dados e as definições da ferramenta elétrica podem ser transmitidos entre ferramenta e o aparelho terminal móvel

### Dados técnicos

Berbequim/aparafusador sem fio		GSR 18V-150 C	GSB 18V-150 C
Número de produto		<b>3 601 JJ5 0..</b>	<b>3 601 JJ5 1..</b>
Tensão nominal	V=	18	18
N.º de rotações em vazio <sup>a)</sup>			
- 1.ª velocidade	r.p.m.	0-550	0-550
- 2.ª velocidade	r.p.m.	0-2 200	0-2 200

através do *Bluetooth®* Low Energy Module **GCY 42** via tecnologia de radiotransmissão *Bluetooth®*.

### Componentes ilustrados

A numeração dos componentes ilustrados refere-se à apresentação da ferramenta elétrica na página de esquemas.

- (1) Encabadouro
- (2) Bucha de aperto rápido
- (3) Batente de profundidade
- (4) Punho adicional (superfície do punho isolada)
- (5) Parafuso de orelhas para ajuste do limitador de profundidade
- (6) Anel de ajuste da pré-seleção do binário
- (7) Seletor do modo de operação
- (8) Seletor de velocidade
- (9) LED para a deteção eletrónica do ângulo (EAD)
- (10) Suporte de fixação ao cinto
- (11) Bateria
- (12) Tecla de destravamento da bateria
- (13) Luz de trabalho (interface de utilizador)
- (14) Interface de utilizador
- (15) Porta-bits<sup>a)</sup>
- (16) Comutador do sentido de rotação
- (17) Interruptor de ligar/desligar
- (18) Punho (superfície do punho isolada)
- (19) Cobertura *Bluetooth®* Low Energy Module **GCY 42**
- (20) Tecla para a deteção eletrónica do ângulo (EAD) (interface de utilizador)
- (21) LED para o ângulo de inclinação predefinido da deteção eletrónica do ângulo (EAD) (interface de utilizador)
- (22) LED para ferramenta elétrica (interface de utilizador)
- (23) LED para KickBack Control (interface de utilizador)
- (24) Tecla para KickBack Control (interface de utilizador)
- (25) Número de encomenda do punho adicional 1 602 025 07Y

a) **Acessórios apresentados ou descritos não pertencem ao volume de fornecimento padrão. Todos os acessórios encontram-se no nosso programa de acessórios.**

Berbequim/aparafusador sem fio		GSR 18V-150 C	GSB 18V-150 C
N.º de impactos <sup>A)</sup>	i.p.m.	–	0–30 000
Binário em materiais duros/macios com base em ISO 5393 (2017) <sup>A)</sup>	Nm	100/84	100/84
Binário máx. <sup>A)</sup>	Nm	150	150
Ø máx. de perfuração			
– Madeira	mm	150	150
– Aço	mm	16	16
– Alvenaria	mm	–	20
Encabadouro		1,5–13	1,5–13
Ø máximo do parafuso	mm	13	13
Peso conforme EPTA-Procedure 01:2014 <sup>B)</sup>	kg	2,4–3,5	2,5–3,6
Temperatura ambiente recomendada durante o carregamento	°C	0 ... +35	0 ... +35
Temperatura ambiente admissível em funcionamento e durante o armazenamento	°C	–20 ... +50	–20 ... +50
Baterias compatíveis		GBA 18V... ProCORE18V...	GBA 18V... ProCORE18V...
Baterias recomendadas para potência máxima		ProCORE18V... ≥ 5,5 Ah	ProCORE18V... ≥ 5,5 Ah
Carregadores recomendados		GAL 18... GAX 18... GAL 36...	GAL 18... GAX 18... GAL 36...

A) Medido a 20–25 °C com bateria **ProCORE18V 8.0Ah**.

B) Medido com **GBA 18V 1.5Ah** e **GBA 18V 12.0Ah**.

### Informação sobre ruídos / vibrações

		GSR 18V-150 C	GSB 18V-150 C
Os valores de emissão de ruído foram determinados de acordo com <b>EN 62841-2-1</b> .			
Normalmente, o nível sonoro de classe A da ferramenta elétrica compreende			
Nível de pressão sonora	dB(A)	<b>81</b>	<b>94</b>
Nível de potência sonora	dB(A)	<b>92</b>	<b>105</b>
Incerteza K	dB	<b>5</b>	<b>5</b>
<b>Usar proteção auditiva!</b>			
Valores totais de vibração $a_h$ (soma dos vetores das três direções) e incerteza K determinada segundo <b>EN 62841-2-1</b> :			
Furar:			
$a_h$	$m/s^2$	<b>&lt; 2,5</b>	<b>&lt; 2,5</b>
K	$m/s^2$	<b>1,5</b>	<b>1,5</b>
Furar com percussão:			
$a_h$	$m/s^2$	–	<b>9,5</b>
K	$m/s^2$	–	<b>1,5</b>

O nível de vibrações indicado nestas instruções e o valor de emissões sonoras foram medidos de acordo com um processo de medição normalizado pela norma EN e podem ser utilizados para a comparação de ferramentas elétricas. Também são adequados para uma avaliação provisória das emissões sonoras e de vibrações.

O nível de vibrações indicado e o valor de emissões sonoras representam as aplicações principais da ferramenta elétrica. Se a ferramenta elétrica for utilizada para outras aplicações, com outras ferramentas de trabalho ou com manutenção insuficiente, é possível que o nível de vibrações e de emissões sonoras seja diferente. Isto pode aumentar

sensivelmente a emissão sonora e de vibrações para o período completo de trabalho.

Para uma estimação exata da emissão sonora e de vibrações, também deveriam ser considerados os períodos nos quais o aparelho está desligado ou funciona, mas não está sendo utilizado. Isto pode reduzir a emissão sonora e de vibrações durante o completo período de trabalho.

Além disso também deverão ser estipuladas medidas de segurança para proteger o operador contra o efeito de vibrações, como por exemplo: manutenção de ferramentas elétricas e acessórios, manter as mãos quentes e organização dos processos de trabalho.

## Montagem

- ▶ **A bateria deverá ser retirada antes de todos os trabalhos na ferramenta elétrica (p. ex. manutenção, troca de ferramenta etc.) e antes de transportar ou de armazenar a mesma.** Há perigo de ferimentos se o interruptor de ligar/desligar for acionado involuntariamente.

### Colocar o Bluetooth® Low Energy Module GCY 42

Para informações acerca do Bluetooth® Low Energy Module GCY 42 leia as respectivas instruções de utilização.

### Carregar a bateria

- ▶ **Utilize apenas os carregadores listados nos dados técnicos.** Só estes carregadores são apropriados para as baterias de lítio utilizadas na sua ferramenta elétrica.

**Nota:** A bateria é fornecida parcialmente carregada. Para assegurar a completa potência da bateria, a bateria deverá ser carregada completamente no carregador antes da primeira utilização.

A bateria de lítio pode ser carregada a qualquer altura, sem que a sua vida útil seja reduzida. Uma interrupção do processo de carga não danifica a bateria.

O acumulador de iões de lítio está protegido contra descarga completa pelo sistema "Electronic Cell Protection (ECP)". A ferramenta elétrica é desligada através de um disjuntor de proteção, logo que o acumulador estiver descarregado. A ferramenta de trabalho não se movimenta mais.

- ▶ **Não continuar a premir o interruptor de ligar/desligar após o desligamento automático da ferramenta elétrica.** A bateria pode ser danificada.

Observe as indicações sobre a eliminação de forma ecológica.

### Retirar a bateria



A bateria (11) possui dois níveis de travamento, que devem evitar, que a bateria caia, caso a tecla de desbloqueio (12) seja premida por acaso. Enquanto a bateria estiver dentro da ferramenta elétrica, ela é mantido em posição por uma mola.

Para retirar a bateria (11) pressione a tecla de desbloqueio (12) e puxe a bateria para a retirar da ferramenta elétrica.

**Não empregar força.**

### Indicador do nível de carga da bateria

Os LEDs verdes do indicador do nível de carga da bateria indicam o nível de carga da bateria. Por motivos de segurança, a consulta do nível de carga só é possível com a ferramenta elétrica parada.

Prima a tecla para o indicador do nível de carga da bateria  ou  para visualizar o nível de carga. Isto também é possível com a bateria removida.

Se, depois de premir a tecla para o indicador do nível de carga da bateria, não se acender qualquer LED, a bateria tem defeito e tem de ser substituída.

**Nota:** O nível de carga da bateria também é indicado na interface de utilizador (14) (ver "Indicadores de estado", Página 31).

### Tipo de bateria GBA 18V...



LEDs	Capacidade
Luz permanente 3× verde	60–100 %
Luz permanente 2× verde	30–60 %
Luz permanente 1× verde	5–30 %
Luz intermitente 1× verde	0–5 %

### Tipo de bateria ProCORE18V...



LEDs	Capacidade
Luz permanente 5× verde	80–100 %
Luz permanente 4× verde	60–80 %
Luz permanente 3× verde	40–60 %
Luz permanente 2× verde	20–40 %
Luz permanente 1× verde	5–20 %
Luz intermitente 1× verde	0–5 %

### Punho adicional

- ▶ **Utilize a ferramenta elétrica apenas com o punho adicional (4).**

**Esta ferramenta elétrica só pode ser utilizada com o punho adicional com o número de encomenda 1 602 025 07Y.**

- ▶ **Antes de todos os trabalhos certifique-se de que o punho adicional está bem apertado.** A perda de controlo pode provocar lesões. Tenha em atenção que o punho adicional é apertado com um binário adequado para o método de fixação, fixe-o à ferramenta elétrica de

modo a que fique excluído qualquer movimento do punho adicional em volta ou ao longo do eixo de perfuração.

### Montar o punho adicional

Para abrir o punho adicional, rode a peça de agarrar do punho adicional (4) para a esquerda.

Puxe a peça intermédia do punho adicional para trás e segura-a nessa posição.

Deslize o punho adicional sobre a bucha, para colocar o punho adicional na ferramenta elétrica.

Depois solte a peça intermédia.

A seguir, volte a apertar a peça de punho inferior do punho adicional (4) para a direita.

### Virar o punho adicional

Pode oscilar o punho adicional (4) para conseguir uma posição de trabalho segura e sem esforço.

Rode a peça do punho do punho adicional (4) para a esquerda e vire o punho adicional (4) para a posição desejada. A seguir, volte a apertar a peça de punho inferior do punho adicional (4) para a direita.

### Ajustar a profundidade de perfuração

Com o batente de profundidade (3) é possível definir a profundidade de perfuração desejada X.

Solte o parafuso de orelhas para o ajuste do batente de profundidade (5) e coloque o batente de profundidade no punho adicional (4).

Puxe o batente de profundidade (3) para fora até a distância entre a ponta da broca e a ponta do batente de profundidade (3) corresponder à profundidade de perfuração X desejada.

Volte a apertar o parafuso de orelhas para o ajuste do batente de profundidade (5).

### Troca de ferramenta (ver figura A)

- ▶ **A bateria deverá ser retirada antes de todos os trabalhos na ferramenta elétrica (p. ex. manutenção, troca de ferramenta etc.) e antes de transportar ou de armazenar a mesma.** Há perigo de ferimentos se o interruptor de ligar/desligar for acionado involuntariamente.

Com o interruptor de ligar/desligar não pressionado (17) é fixado o veio de perfuração. Isto possibilita uma troca rápida, confortável e fácil da ferramenta de trabalho no mandril de brocas.

Abra a bucha de aperto rápido (2) rodando no sentido ① até a ferramenta poder ser inserida. Introduzir a ferramenta.

Aperte bem à mão a bucha da bucha de aperto rápido (2) no sentido de rotação ②. A bucha fica assim automaticamente bloqueada.

### Aspiração de pó/de aparas

Pós de materiais como por exemplo, tintas que contém chumbo, alguns tipos de madeira, minerais e metais, podem ser nocivos à saúde. O contacto ou a inalação dos pós pode provocar reações alérgicas e/ou doenças nas vias

respiratórias do utilizador ou das pessoas que se encontrem por perto.

Certos pós, como por exemplo pó de carvalho e faia são considerados como sendo cancerígenos, especialmente quando juntos com substâncias para o tratamento de madeiras (cromato, preservadores de madeira). Material que contém asbesto só deve ser processado por pessoal especializado.

- Assegurar uma boa ventilação do local de trabalho.
- É recomendável usar uma máscara de proteção respiratória com filtro da classe P2.

Observe as diretivas para os materiais a serem processados, vigentes no seu país.

- ▶ **Evite a acumulação de pó no local de trabalho.** Pós podem entrar levemente em ignição.

## Funcionamento

### Colocação em funcionamento

#### Colocar a bateria

**Nota:** A utilização de baterias não indicadas para a sua ferramenta elétrica pode causar falhas de funcionamento ou danos na ferramenta elétrica.

Coloque o comutador do sentido de rotação (16) no centro para evitar um ligamento inadvertido. Coloque a bateria carregada (11) no punho até esta encaixar de forma audível e ficar à face com o punho.

#### Ajustar o sentido de rotação (ver figura B)

Com o comutador de sentido de rotação (16) é possível alterar o sentido de rotação da ferramenta elétrica. Com o interruptor de ligar/desligar pressionado (17) isto no entanto não é possível.

🔄 **Rotação à direita:** deslocar o comutador do sentido de rotação (16) de ambos os lados até ao limitador ficar na posição ◀.

🔄 **Rotação à esquerda:** deslocar o comutador do sentido de rotação (16) de ambos os lados até ao limitador ficar na posição ▶.

#### Ajustar o modo de operação



##### Furar

Coloque o seletor do modo de operação (7) no símbolo "Furar".



##### Aparafusar

Coloque o seletor do modo de operação (7) no símbolo "Aparafusar".



##### Furar com percussão (GSB 18V-150 C)

Coloque o seletor do modo de operação (7) no símbolo "Furar com percussão".

#### Ligar e desligar

Para a **colocação em funcionamento** da ferramenta elétrica deverá pressionar o interruptor de ligar/desligar (17) e mantenha-o pressionado.

O LED (13) acende-se com o interruptor para ligar/desligar (17) completamente ou ligeiramente premido e permite iluminar o local de trabalho em caso de condições de iluminação desfavoráveis.

Para **desligar** a ferramenta elétrica, liberte o interruptor de ligar/desligar (17).

#### Ajustar o número de rotações

Pode regular a velocidade da ferramenta elétrica ligada de forma contínua, consoante a pressão que faz no interruptor de ligar/desligar (17).

Uma leve pressão sobre o interruptor de ligar/desligar (17) proporciona um número de rotações baixo. Aumentando a pressão, é aumentado o n.º de rotações.

#### Pré-selecionar o binário (válido para modo de operação aparafusar)

Com o anel de ajuste da pré-seleção do binário (6) pode pré-selecionar o binário necessário em 25 níveis. Assim que o binário ajustado seja alcançado, a ferramenta elétrica é parada.

#### Regulação mecânica da velocidade

##### ► **Acione o seletor de velocidade (8) apenas com a ferramenta elétrica parada.**

##### 1.ª velocidade:

Baixa gama de número de rotações; para trabalhar com grandes diâmetros de perfuração ou para aparafusar.

##### 2.ª velocidade:

Alta gama de número de rotações; para trabalhar com pequeno diâmetro de perfuração.

##### ► **Sempre empurrar o seletor de velocidade até o fim.**

Caso contrário é possível que a ferramenta elétrica seja danificada.

#### Desligamento rápido (Kickback Control)



O desligamento rápido (KickBack Control) oferece um melhor controlo sobre a ferramenta elétrica e aumenta assim a proteção do utilizador comparativamente a ferramentas elétricas sem KickBack Control. Em caso de uma rotação repentina e imprevista da ferramenta elétrica sobre o eixo de perfuração, a ferramenta elétrica desliga-se.

O desligamento rápido é indicado por um piscar vermelho do LED (22), uma luz intermitente da luz de trabalho (13) bem como um acendimento vermelho do LED para KickBack Control (23) na ferramenta elétrica.

Para **voltar a colocar em funcionamento** solte o interruptor de ligar/desligar e volte a acioná-lo.

#### ► **Se a função KickBack Control estiver com defeito, não é possível voltar a ligar a ferramenta elétrica. Só permita que a sua ferramenta elétrica seja reparada por pessoal especializado e qualificado e só com peças de reposição originais.**

O desligamento rápido pode ser desativado na interface de utilizador (14) com a tecla (24). Se a ferramenta elétrica não for utilizada durante mais de 5 minutos ou se a bateria

for retirada, o desligamento rápido torna a ligar-se automaticamente. O estado atual é indicado pelo LED para KickBack Control (23) na interface de utilizador (14).

Tenha em atenção que a luz de aviso não é visível a partir de todas as direções. É difícil reconhecer a luz de aviso com uma luz solar forte.

#### Electronic Angle Detection (EAD)

Com a deteção eletrónica do ângulo (EAD) é possível pré-selecionar um ângulo de inclinação que a ferramenta elétrica reconhece durante o trabalho e que indica ao utilizador.

Deste modo é possível, por exemplo, furar ou aparafusar em ângulo reto numa superfície inclinada. A deteção eletrónica do ângulo (EAD) é controlada através da interface de utilizador (14).

Selecione um ângulo (45°, 60°, definido pelo utilizador) na interface de utilizador (14). **Nota:** Na definição de fábrica, o ângulo definido pelo utilizador é de 90°. Este pode ser adaptado através da aplicação Bosch.

Para ajustar o ângulo, prima a tecla para a deteção eletrónica do ângulo (EAD) (20) às vezes necessárias, até que o LED do ângulo de inclinação desejado (21) comece a piscar.

Para além do LED do ângulo de inclinação desejado (21) também o LED para a deteção eletrónica do ângulo (EAD) (9) começa a piscar a amarelo. Posicione agora a ferramenta elétrica sobre a superfície desejada e mantenha-a tão quieta quanto possível. **Nota:** Se a ferramenta elétrica não for mantida quieta durante o processo de iniciação, o processo de iniciação termina automaticamente após 10 segundos e o último valor ajustado é restabelecido.

Após o posicionamento a ferramenta elétrica inicia o processo de iniciação. A superfície desejada é aprendida durante o processo de iniciação. O processo de iniciação está concluído, quando o LED para a deteção eletrónica do ângulo (EAD) (9) acender a verde durante aprox. 1 segundo e depois se apagar e o LED para o ângulo de inclinação (21) acender de forma permanente.

Retire a ferramenta elétrica da superfície. Alinhe a ferramenta elétrica no ângulo de inclinação desejado com a superfície aprendida. O LED (22) acende a amarelo quando o ângulo de inclinação estiver na área de +/- 10° do ângulo de inclinação predefinido.

Se for alcançado um ângulo de inclinação de +/- 3° relativamente ao ângulo de inclinação predefinido, o LED (9) acende-se a verde. Para terminar a deteção eletrónica do ângulo (EAD), prima a tecla para a deteção eletrónica do ângulo (EAD) (20) até que mais nenhum dos LEDs para a seleção do ângulo (21) esteja aceso (45° → 60° → Definido pelo utilizador → Desligado). O ângulo ajustado e a superfície de referência são mantidos mesmo quando a bateria é trocada ou a ferramenta elétrica é novamente acordada do seu modo de repouso.

#### Interface de utilizador (ver figura D)

A interface de utilizador (14) serve para ajustar e verificar um ângulo de inclinação no âmbito da deteção eletrónica do ângulo (EAD), para desativar o desligamento rápido (KickBack Control) e para indicar o estado da ferramenta elétrica.

## Indicadores de estado

Indicação do estado da ferramenta elétrica (22)	Significado/Causa	Solução
Verde	Estado OK	–
Amarelo	A temperatura crítica foi atingida, a bateria está quase descarregada ou o KickBack Control está desligado	Deixe a ferramenta elétrica funcionar em vazio e arrefecer, substitua ou carregue rapidamente a bateria ou prima a tecla de KickBack
Acender a vermelho	A ferramenta elétrica está sobreaquecida ou a bateria está vazia	Deixe a ferramenta elétrica arrefecer ou substitua ou carregue a bateria
piscar a vermelho	O desligamento em caso de contragolpe ativou-se	Desligue e volte a ligar a ferramenta elétrica
Piscar a azul	A ferramenta elétrica está ligada ao aparelho terminal móvel ou as definições estão a ser transferidas	–

Indicação do estado da ferramenta elétrica (9)	Significado/Causa
Verde	O ângulo selecionado foi alcançado com uma tolerância de $\pm 3^\circ$ relativamente à superfície aprendida <sup>A)</sup>
Amarelo	O ângulo selecionado foi alcançado com uma tolerância de $\pm 10^\circ$ relativamente à superfície aprendida <sup>A)</sup>
Intermitente a amarelo, depois aceso a verde por breves instantes	A superfície está a ser aprendida
Intermitente a amarelo, depois aceso a amarelo por breves instantes	Processo de iniciação não executado corretamente

A) A precisão de medição absoluta pode variar devido a condições diferentes (p. ex. desalinhamento da ferramenta relativamente ao parafuso devido a folga entre a ponta de aparafusar e/ou adaptador da aparafusadora; uniformidade da superfície que servirá de referência; ...)

## Funções Connectivity

Combinado com o *Bluetooth*® Low Energy Module **GCY 42** estão disponíveis as seguintes funções Connectivity para a ferramenta elétrica:

- Registo e personalização
- Verificação do estado, emissão de mensagens de aviso
- Informações gerais e ajustes
- Gestão

Para informações acerca do *Bluetooth*® Low Energy Module **GCY 42** leia as respetivas instruções de utilização.

## Instruções de trabalho

- ▶ **A ferramenta elétrica com *Bluetooth*® Low Energy Module GCY 42 colocado está equipada com uma interface de comunicações. Devem ser respeitadas as limitações de utilização locais, p. ex. em aviões ou hospitais.**
- ▶ **Só coloque a ferramenta elétrica no parafuso quando esta está desligada.** As ferramentas de trabalho em rotação podem escorregar.

Para retirar a ponta de aparafusar ou porta-bits universal, não pode ser usada uma ferramenta auxiliar.

## Suporte de fixação ao cinto

Com o suporte de fixação ao cinto **(10)** pode pendurar a ferramenta elétrica, p. ex., num cinto. Desta forma terá ambas as mãos livres e a ferramenta elétrica estará sempre ao alcance.

## Manutenção e assistência técnica

### Manutenção e limpeza

- ▶ **A bateria deverá ser retirada antes de todos os trabalhos na ferramenta elétrica (p. ex. manutenção, troca de ferramenta etc.) e antes de transportar ou de armazenar a mesma.** Há perigo de ferimentos se o interruptor de ligar/desligar for acionado involuntariamente.
- ▶ **Manter a ferramenta elétrica e as aberturas de ventilação sempre limpas, para trabalhar bem e de forma segura.**

### Serviço pós-venda e aconselhamento

O serviço pós-venda responde às suas perguntas a respeito de serviços de reparação e de manutenção do seu produto, assim como das peças sobressalentes. Desenhos explodidos e informações acerca das peças sobressalentes também em: [www.bosch-pt.com](http://www.bosch-pt.com)



A nossa equipa de consultores Bosch esclarece com prazer todas as suas dúvidas a respeito dos nossos produtos e acessórios.

Indique para todas as questões e encomendas de peças sobressalentes a referência de 10 dígitos de acordo com a placa de características do produto.

#### Brasil

Robert Bosch Ltda. – Divisão de Ferramentas Elétricas  
Rodovia Anhanguera, Km 98 - Parque Via Norte  
13065-900, CP 1195  
Campinas, São Paulo  
Tel.: 0800 7045 446  
www.bosch.com.br/contato

#### Encontra outros endereços da assistência técnica em:

www.bosch-pt.com/serviceaddresses

#### Transporte

As baterias de íões de lítio, contidas, estão sujeitas ao direito de materiais perigosos. As baterias podem ser transportadas na rua pelo utilizador, sem mais obrigações.

Na expedição por terceiros (por ex: transporte aéreo ou expedição), devem ser observadas as especiais exigências quanto à embalagem e à designação. Neste caso é necessário consultar um especialista de materiais perigosos ao preparar a peça a ser trabalhada.

Só enviar baterias se a carcaça não estiver danificada. Colar contactos abertos e embalar a bateria de modo que não possa se movimentar dentro da embalagem. Por favor observe também eventuais diretivas nacionais suplementares.

#### Eliminação



As ferramentas elétricas, as baterias, os acessórios e as embalagens devem ser enviados a uma reciclagem ecológica de matéria prima.



Não deitar ferramentas elétricas e baterias/pilhas no lixo doméstico!

#### Baterias/pilhas:

##### Lítio:

Observar as indicações no capítulo Transporte (ver "Transporte", Página 32).

## Español

### Indicaciones de seguridad

#### Indicaciones generales de seguridad para herramientas eléctricas

**⚠ ADVERTENCIA** Lea íntegramente las advertencias de peligro, las instrucciones, las ilustraciones y las especificaciones entregadas con esta herramienta eléctrica. En caso de no atenerse a las instrucciones siguientes, ello puede ocasionar una descarga eléctrica, un incendio y/o una lesión grave.

#### Guardar todas las advertencias de peligro e instrucciones para futuras consultas.

El término "herramienta eléctrica" empleado en las siguientes advertencias de peligro se refiere a herramientas eléctricas de conexión a la red (con cable de red) y a herramientas eléctricas accionadas por acumulador (sin cable de red).

#### Seguridad del puesto de trabajo

- ▶ **Mantenga el área de trabajo limpia y bien iluminada.** Las áreas desordenadas u oscuras pueden provocar accidentes.
- ▶ **No utilice herramientas eléctricas en un entorno con peligro de explosión, en el que se encuentren combustibles líquidos, gases o material en polvo.** Las herramientas eléctricas producen chispas que pueden llegar a inflamar los materiales en polvo o vapores.
- ▶ **Mantenga alejados a los niños y otras personas de su puesto de trabajo al emplear la herramienta eléctrica.** Una distracción le puede hacer perder el control sobre la herramienta eléctrica.

#### Seguridad eléctrica

- ▶ **El enchufe de la herramienta eléctrica debe corresponder a la toma de corriente utilizada. No es admisible modificar el enchufe en forma alguna. No emplear adaptadores en herramientas eléctricas dotadas con una toma de tierra.** Los enchufes sin modificar adecuados a las respectivas tomas de corriente reducen el riesgo de una descarga eléctrica.
- ▶ **Evite que su cuerpo toque partes conectadas a tierra como tuberías, radiadores, cocinas y refrigeradores.** El riesgo a quedar expuesto a una sacudida eléctrica es mayor si su cuerpo tiene contacto con tierra.
- ▶ **No exponga la herramienta eléctrica a la lluvia o a condiciones húmedas.** Existe el peligro de recibir una descarga eléctrica si penetran ciertos líquidos en la herramienta eléctrica.
- ▶ **No abuse del cable de red. No utilice el cable de red para transportar o colgar la herramienta eléctrica, ni tire de él para sacar el enchufe de la toma de corriente. Mantenga el cable de red alejado del calor, aceite, esquinas cortantes o piezas móviles.** Los cables de red



dañados o enredados pueden provocar una descarga eléctrica.

- ▶ **Al trabajar con la herramienta eléctrica a la intemperie utilice solamente cables de prolongación apropiados para su uso al aire libre.** La utilización de un cable de prolongación adecuado para su uso en exteriores reduce el riesgo de una descarga eléctrica.
- ▶ **Si fuese imprescindible utilizar la herramienta eléctrica en un entorno húmedo, es necesario conectarla a través de un dispositivo de corriente residual (RCD) de seguridad (fusible diferencial).** La aplicación de un fusible diferencial reduce el riesgo a exponerse a una descarga eléctrica.

#### Seguridad de personas

- ▶ **Esté atento a lo que hace y emplee sentido común cuando utilice una herramienta eléctrica. No utilice la herramienta eléctrica si estuviese cansado, ni tampoco después de haber consumido drogas, alcohol o medicamentos.** El no estar atento durante el uso de la herramienta eléctrica puede provocarle serias lesiones.
- ▶ **Utilice un equipo de protección personal. Utilice siempre una protección para los ojos.** El riesgo a lesionarse se reduce considerablemente si se utiliza un equipo de protección adecuado como una mascarilla antipolvo, zapatos de seguridad con suela antideslizante, casco, o protectores auditivos.
- ▶ **Evite una puesta en marcha involuntaria. Asegurarse de que la herramienta eléctrica esté desconectada antes de conectarla a la toma de corriente y/o al montar el acumulador, al recogerla y al transportarla.** Si transporta la herramienta eléctrica sujetándola por el interruptor de conexión/desconexión, o si alimenta la herramienta eléctrica estando ésta conectada, ello puede dar lugar a un accidente.
- ▶ **Retire las herramientas de ajuste o llaves fijas antes de conectar la herramienta eléctrica.** Una herramienta de ajuste o llave fija colocada en una pieza rotante puede producir lesiones al poner a funcionar la herramienta eléctrica.
- ▶ **Evite posturas arriesgadas. Trabaje sobre una base firme y mantenga el equilibrio en todo momento.** Ello le permitirá controlar mejor la herramienta eléctrica en caso de presentarse una situación inesperada.
- ▶ **Lleve puesta una vestimenta de trabajo adecuada. No utilice vestimenta amplia ni joyas. Mantenga su pelo y vestimenta alejados de las piezas móviles.** La vestimenta suelta, el pelo largo y las joyas se pueden enganchar con las piezas en movimiento.
- ▶ **Si se proporcionan dispositivos para la conexión de las instalaciones de extracción y recogida de polvo, asegúrese que éstos estén conectados y que sean utilizados correctamente.** El empleo de estos equipos reduce los riesgos derivados del polvo.
- ▶ **No permita que la familiaridad ganada por el uso frecuente de herramientas eléctricas lo deje caer en la complacencia e ignore las normas de seguridad de**

**herramientas.** Una acción negligente puede causar lesiones graves en una fracción de segundo.

#### Uso y trato cuidadoso de herramientas eléctricas

- ▶ **No sobrecargue la herramienta eléctrica. Utilice la herramienta eléctrica adecuada para su aplicación.** Con la herramienta eléctrica adecuada podrá trabajar mejor y más seguro dentro del margen de potencia indicado.
  - ▶ **No utilice la herramienta eléctrica si el interruptor está defectuoso.** Las herramientas eléctricas que no se puedan conectar o desconectar son peligrosas y deben hacerse reparar.
  - ▶ **Saque el enchufe de la red y/o retire el acumulador desmontable de la herramienta eléctrica, antes de realizar un ajuste, cambiar de accesorio o al guardar la herramienta eléctrica.** Esta medida preventiva reduce el riesgo a conectar accidentalmente la herramienta eléctrica.
  - ▶ **Guarde las herramientas eléctricas fuera del alcance de los niños. No permita la utilización de la herramienta eléctrica a aquellas personas que no estén familiarizadas con su uso o que no hayan leído estas instrucciones.** Las herramientas eléctricas utilizadas por personas inexpertas son peligrosas.
  - ▶ **Cuide las herramientas eléctricas y los accesorios. Controle la alineación de las piezas móviles, rotura de piezas y cualquier otra condición que pudiera afectar el funcionamiento de la herramienta eléctrica. En caso de daño, la herramienta eléctrica debe repararse antes de su uso.** Muchos de los accidentes se deben a herramientas eléctricas con un mantenimiento deficiente.
  - ▶ **Mantenga los útiles limpios y afilados.** Los útiles mantenidos correctamente se dejan guiar y controlar mejor.
  - ▶ **Utilice la herramienta eléctrica, los accesorios, los útiles, etc. de acuerdo a estas instrucciones, considerando en ello las condiciones de trabajo y la tarea a realizar.** El uso de herramientas eléctricas para trabajos diferentes de aquellos para los que han sido concebidas puede resultar peligroso.
  - ▶ **Mantenga las empuñaduras y las superficies de las empuñaduras secas, limpias y libres de aceite y grasa.** Las empuñaduras y las superficies de las empuñaduras resbaladizas no permiten un manejo y control seguro de la herramienta eléctrica en situaciones imprevistas.
- #### Trato y uso cuidadoso de herramientas accionadas por acumulador
- ▶ **Solamente recargar los acumuladores con los cargadores especificados por el fabricante.** Existe un riesgo de incendio al intentar cargar acumuladores de un tipo diferente al previsto para el cargador.
  - ▶ **Utilice las herramientas eléctricas sólo con los acumuladores específicamente designados.** El uso de otro tipo de acumuladores puede provocar daños e incluso un incendio.
  - ▶ **Si no utiliza el acumulador, guárdelo separado de objetos metálicos, como clips de papel, monedas, llaves, clavos, tornillos u otros objetos metálicos pequeños**

que pudieran puentear sus contactos. El cortocircuito de los contactos del acumulador puede causar quemaduras o un incendio.

- ▶ **La utilización inadecuada del acumulador puede provocar fugas de líquido. Evite el contacto con él. En caso de un contacto accidental, enjuague el área afectada con abundante agua. En caso de un contacto con los ojos, recurra además inmediatamente a ayuda médica.** El líquido del acumulador puede irritar la piel o producir quemaduras.
- ▶ **No emplee acumuladores o útiles dañados o modificados.** Los acumuladores dañados o modificados pueden comportarse en forma imprevisible y producir un fuego, explosión o peligro de lesión.
- ▶ **No exponga un paquete de baterías o una herramienta eléctrica al fuego o a una temperatura demasiado alta.** La exposición al fuego o a temperaturas sobre 130 °C puede causar una explosión.
- ▶ **Siga todas las instrucciones para la carga y no cargue nunca el acumulador o la herramienta eléctrica a una temperatura fuera del margen correspondiente especificado en las instrucciones.** Una carga inadecuada o a temperaturas fuera del margen especificado puede dañar el acumulador y aumentar el riesgo de incendio.

#### Servicio

- ▶ **Únicamente deje reparar su herramienta eléctrica por un experto cualificado, empleando exclusivamente piezas de repuesto originales.** Solamente así se mantiene la seguridad de la herramienta eléctrica.
- ▶ **No repare los acumuladores dañados.** El entrenamiento de los acumuladores sólo debe ser realizado por el fabricante o un servicio técnico autorizado.

#### Instrucciones de seguridad para taladradoras y atornilladoras

##### Instrucciones de seguridad para todas las operaciones

- ▶ **Use protectores auriculares al taladrar por percusión.** La exposición al ruido puede causar una pérdida auditiva.
- ▶ **Utilice el (los) mango(s) auxiliar(es).** La pérdida del control puede causar lesiones personales.
- ▶ **Sujete la herramienta eléctrica por las superficies de agarre aisladas al realizar trabajos en los que el accesorio de corte o el portaútiles pueda entrar en contacto con conductores eléctricos ocultos.** En el caso del contacto del accesorio de corte o portaútiles con conductores "bajo tensión", las partes metálicas expuestas de la herramienta eléctrica pueden quedar "bajo tensión" y dar al operador una descarga eléctrica.

##### Instrucciones de seguridad en el caso de utilizar brocas largas

- ▶ **Nunca opere a mayor velocidad que la velocidad máxima de la broca (bit).** A velocidades más altas, el bit se puede doblar si se le permite rotar sin tocar la pieza de trabajo, originando lesiones personales.

- ▶ **Siempre comience a taladrar a baja velocidad y con la punta del bit en contacto con la pieza de trabajo.** A velocidades más altas, el bit se puede doblar si se le permite rotar sin tocar la pieza de trabajo, originando lesiones personales.
- ▶ **Aplique presión sólo en línea directa con el bit y no aplique presión excesiva.** Los bits pueden doblarse y causar roturas o pérdida de control, originando lesiones personales.

#### Indicaciones de seguridad adicionales

- ▶ **Sostenga firmemente la herramienta eléctrica.** Al apretar y aflojar tornillos, pueden presentarse pares de reacción momentáneos.
- ▶ **Asegure la pieza de trabajo.** Una pieza de trabajo fijada con unos dispositivos de sujeción, o en un tornillo de banco, se mantiene sujeta de forma mucho más segura que con la mano.
- ▶ **Utilice unos aparatos de exploración adecuados para detectar conductores o tuberías ocultas, o consulte a sus compañías abastecedoras.** El contacto con conductores eléctricos puede provocar un incendio o una electrocución. Al dañar una tubería de gas puede producirse una explosión. La perforación de una tubería de agua puede causar daños materiales.
- ▶ **Espera a que se haya detenido la herramienta eléctrica antes de depositarla.** El útil puede engancharse y hacerle perder el control sobre la herramienta eléctrica.
- ▶ **En caso de daño y uso inapropiado del acumulador pueden emanar vapores. El acumulador se puede quemar o explotar.** En tal caso, busque un entorno con aire fresco y acuda a un médico si nota molestias. Los vapores pueden llegar a irritar las vías respiratorias.
- ▶ **No intente abrir el acumulador.** Podría provocar un cortocircuito.
- ▶ **Mediante objetos puntiagudos, como p. ej. clavos o destornilladores, o por influjo de fuerza exterior se puede dañar el acumulador.** Se puede generar un cortocircuito interno y el acumulador puede arder, humear, explotar o sobrecalentarse.
- ▶ **Utilice el acumulador únicamente en productos del fabricante.** Solamente así queda protegido el acumulador contra una sobrecarga peligrosa.



**Proteja la batería del calor excesivo, además de, p. ej., una exposición prolongada al sol, la suciedad, el fuego, el agua o la humedad.**  
Existe riesgo de explosión y cortocircuito.

- ▶ **Desconecte inmediatamente la herramienta eléctrica en caso de bloquearse el útil. Esté preparado para los momentos de alta reacción que causa un contragolpe.** El útil se bloquea, si se sobrecarga la herramienta eléctrica o se leaada en la pieza de trabajo a labrar.
- ▶ **¡Cuidado! El uso de la herramienta eléctrica con Bluetooth\* puede provocar anomalías en otros aparatos y equipos, en aviones y en aparatos médicos (p. ej. marcapasos, audífonos, etc.). Tampoco puede descartarse por completo el riesgo de daños en personas y**

animales que se encuentren en un perímetro cercano. No utilice la herramienta eléctrica con Bluetooth® cerca de aparatos médicos, gasolineras, instalaciones químicas, zonas con riesgo de explosión ni en zonas con atmósfera potencialmente explosiva. No utilice tampoco la herramienta eléctrica con Bluetooth® a bordo de aviones. Evite el uso prolongado de este aparato en contacto directo con el cuerpo.

La marca de palabra Bluetooth® como también los símbolos (logotipos) son marcas registradas y propiedad de Bluetooth SIG, Inc. Cada utilización de esta marca de palabra/símbolo por Robert Bosch Power Tools GmbH tiene lugar bajo licencia.

## Descripción del producto y servicio



**Lea íntegramente estas indicaciones de seguridad e instrucciones.** Las faltas de observación de las indicaciones de seguridad y de las instrucciones pueden causar descargas eléctricas, incendios y/o lesiones graves.

Por favor, observe las ilustraciones en la parte inicial de las instrucciones de servicio.

### Utilización reglamentaria

La herramienta eléctrica está determinada para enroscar y soltar tornillos así como para taladrar en madera, metal, cerámica y plástico. La herramienta GSB está adicionalmente determinada para el taladrado de percusión en ladrillo, mampostería y piedra.

Los datos y las configuraciones de la herramienta eléctrica se pueden transmitir con el módulo Bluetooth® Low Energy Module **GCY 42** colocado, mediante la tecnología de radio-comunicación Bluetooth®, entre la herramienta eléctrica y un aparato móvil final.

### Componentes representados

La numeración de los componentes está referida a la imagen de la herramienta eléctrica en la página ilustrada.

- (1) Portaherramientas

- (2) Portabrocas de sujeción rápida  
 (3) Tope de profundidad  
 (4) Empuñadura adicional (zona de agarre aislada)  
 (5) Tornillo de mariposa para ajuste del tope de profundidad  
 (6) Anillo de ajuste para preselección del par  
 (7) Selector de modos de operación  
 (8) Selector de velocidad  
 (9) LED para detección electrónica de ángulos (EAD)  
 (10) Clip de sujeción al cinturón  
 (11) Acumulador  
 (12) Tecla de desenclavamiento del acumulador  
 (13) Luz de trabajo (interfaz de usuario)  
 (14) Interfaz de usuario  
 (15) Portabits<sup>a)</sup>  
 (16) Selector de sentido de giro  
 (17) Interruptor de conexión/desconexión  
 (18) Empuñadura (zona de agarre aislada)  
 (19) Cubierta del módulo Bluetooth® Low Energy Module **GCY 42**  
 (20) Tecla para la detección electrónica de ángulos (EAD) (interfaz de usuario)  
 (21) LED para el ángulo de inclinación preconfigurado de la detección electrónica de ángulos (EAD) (interfaz de usuario)  
 (22) LED para la herramienta eléctrica (interfaz de usuario)  
 (23) LED para KickBack Control (interfaz de usuario)  
 (24) Tecla para KickBack Control (interfaz de usuario)  
 (25) Número de pedido de empuñadura adicional 1 602 025 07Y

a) **Los accesorios descritos e ilustrados no corresponden al material que se adjunta de serie. La gama completa de accesorios opcionales se detalla en nuestro programa de accesorios.**

### Datos técnicos

Atornilladora taladradora accionada por acumulador		GSR 18V-150 C	GSB 18V-150 C
Número de artículo		<b>3 601 JJ5 0..</b>	<b>3 601 JJ5 1..</b>
Tensión nominal	V=	18	18
Número de revoluciones en vacío <sup>A)</sup>			
- 1.a velocidad	min <sup>-1</sup>	0-550	0-550
- 2.a velocidad	min <sup>-1</sup>	0-2 200	0-2 200
Número de impactos <sup>A)</sup>	min <sup>-1</sup>	-	0-30 000
Par de giro en unión atornillada dura/blanda basada en ISO 5393 (2017) <sup>A)</sup>	Nm	100/84	100/84
Máx. par de giro <sup>A)</sup>	Nm	150	150
Ø máx. de perforación			

Atornilladora taladradora accionada por acumulador		GSR 18V-150 C	GSB 18V-150 C
- Madera	mm	150	150
- Acero	mm	16	16
- Ladrillo	mm	-	20
Portaherramientas		1,5-13	1,5-13
Ø máx. de tornillos	mm	13	13
Peso según EPTA-Procedure 01:2014 <sup>B)</sup>	kg	2,4-3,5	2,5-3,6
Temperatura ambiente recomendada durante la carga	°C	0 ... +35	0 ... +35
Temperatura ambiente permitida durante el funcionamiento y en el almacenamiento	°C	-20 ... +50	-20 ... +50
Acumuladores compatibles		GBA 18V... ProCORE18V...	GBA 18V... ProCORE18V...
Acumuladores recomendados para plena potencia		ProCORE18V... ≥ 5,5 Ah	ProCORE18V... ≥ 5,5 Ah
Cargadores recomendados		GAL 18... GAX 18... GAL 36...	GAL 18... GAX 18... GAL 36...

A) Medido a 20-25 °C con acumulador **ProCORE18V 8.0Ah**.

B) Medido con **GBA 18V 1.5Ah** y **GBA 18V 12.0Ah**.

### Informaciones sobre ruidos/vibraciones

		GSR 18V-150 C	GSB 18V-150 C
Valores de emisión de ruidos determinados según <b>EN 62841-2-1</b> .			
El nivel de ruido valorado con A de la herramienta eléctrica asciende típicamente a			
Nivel de presión sonora	dB(A)	<b>81</b>	<b>94</b>
Nivel de potencia acústica	dB(A)	<b>92</b>	<b>105</b>
Inseguridad K	dB	<b>5</b>	<b>5</b>
<b>¡Utilice protección para los oídos!</b>			
Valores totales de vibraciones $a_h$ (suma de vectores de tres direcciones) e inseguridad K determinados según <b>EN 62841-2-1</b> :			
Taladrar:			
$a_h$	$m/s^2$	<b>&lt; 2,5</b>	<b>&lt; 2,5</b>
K	$m/s^2$	<b>1,5</b>	<b>1,5</b>
Taladrar con percusión:			
$a_h$	$m/s^2$	-	<b>9,5</b>
K	$m/s^2$	-	<b>1,5</b>

El nivel de vibraciones y el valor de emisiones de ruidos indicados en estas instrucciones han sido determinados según un procedimiento de medición normalizado y pueden servir como base de comparación con otras herramientas eléctricas. También son adecuados para estimar provisionalmente la emisión de vibraciones y ruidos.

El nivel de vibraciones y el valor de emisiones de ruidos indicados han sido determinados para las aplicaciones principales de la herramienta eléctrica. Por ello, el nivel de vibraciones y el valor de emisiones de ruidos pueden ser diferentes si la herramienta eléctrica se utiliza para otras aplicaciones, con útiles diferentes, o si el mantenimiento de la misma fuese deficiente. Ello puede suponer un aumento drástico de la

emisión de vibraciones y de ruidos durante el tiempo total de trabajo.

Para determinar con exactitud las emisiones de vibraciones y de ruidos, es necesario considerar también aquellos tiempos en los que el aparato esté desconectado, o bien, esté en funcionamiento, pero sin ser utilizado realmente. Ello puede suponer una disminución drástica de las emisiones de vibraciones y de ruidos durante el tiempo total de trabajo.

Fije unas medidas de seguridad adicionales para proteger al usuario de los efectos por vibraciones, como por ejemplo: Mantenimiento de la herramienta eléctrica y de los útiles, conservar calientes las manos, organización de las secuencias de trabajo.

## Montaje

- **Desmonte el acumulador antes de manipular la herramienta eléctrica (p. ej. en el mantenimiento, cambio de útil, etc.) así como al transportarla y guardarla.** En caso contrario podría accidentarse al accionar fortuitamente el interruptor de conexión/desconexión.

### Colocar el módulo *Bluetooth*® Low Energy Module GCY 42

Lea las correspondientes instrucciones de servicio respecto a las informaciones del módulo *Bluetooth*® Low Energy Module **GCY 42**.

### Carga del acumulador

- **Utilice únicamente los cargadores que se enumeran en los datos técnicos.** Solamente estos cargadores han sido especialmente adaptados a los acumuladores de iones de litio empleados en su herramienta eléctrica.

**Indicación:** El acumulador se suministra parcialmente cargado. Con el fin de obtener la plena potencia del acumulador, antes de su primer uso, cárguelo completamente en el cargador.

El acumulador de iones de litio puede recargarse siempre que se quiera, sin que ello merme su vida útil. Una interrupción del proceso de carga no afecta al acumulador.

El acumulador de iones de litio está protegido contra descarga total gracias al sistema de protección electrónica de celdas "Electronic Cell Protection (ECP)". Si el acumulador está descargado, un circuito de protección se encarga de desconectar la herramienta eléctrica. El útil deja de moverse.

- **En caso de una desconexión automática de la herramienta eléctrica no mantenga accionado el interruptor de conexión/desconexión.** El acumulador podría dañarse.

Observe las indicaciones referentes a la eliminación.


### Desmontaje del acumulador

El acumulador **(11)** dispone de dos etapas de desenclavamiento para evitar que éste se salga en el caso de un accionamiento accidental la tecla de desenclavamiento **(12)**. Al estar montado el acumulador en la herramienta eléctrica, éste es retenido en esa posición por un resorte.

Para la extracción del acumulador **(11)**, presione la tecla de desenclavamiento **(12)** y retire el acumulador de la herramienta eléctrica. **No proceda con brusquedad.**

### Indicador del estado de carga del acumulador

Los LEDs verdes del indicador del estado de carga del acumulador indican el estado de carga del acumulador. Por motivos de seguridad, la consulta del estado de carga es solo posible con la herramienta eléctrica parada.

Presione la tecla del indicador de estado de carga , para indicar el estado de carga. Esto también es posible con el acumulador desmontado.

Si tras presionar la tecla del indicador de estado de carga no se enciende ningún LED, significa que el acumulador está defectuoso y debe sustituirse.

**Indicación:** El estado de carga del acumulador también se indica en la interfaz de usuario **(14)** (ver "Indicadores de estado", Página 39).

### Tipo de acumulador GBA 18V...



LEDs	Capacidad
Luz permanente 3× verde	60–100 %
Luz permanente 2× verde	30–60 %
Luz permanente 1× verde	5–30 %
Luz intermitente 1× verde	0–5 %

### Tipo de acumulador ProCORE18V...



LEDs	Capacidad
Luz permanente 5× verde	80–100 %
Luz permanente 4× verde	60–80 %
Luz permanente 3× verde	40–60 %
Luz permanente 2× verde	20–40 %
Luz permanente 1× verde	5–20 %
Luz intermitente 1× verde	0–5 %

### Empuñadura adicional

- **Utilice su herramienta eléctrica sólo con la empuñadura adicional (4).**

**Esta herramienta eléctrica solamente debe usarse con la empuñadura adicional con el número de pedido 1 602 025 07Y.**

- **Antes de realizar cualquier trabajo, asegúrese que la empuñadura adicional esté firmemente apretada.** La pérdida de control sobre la herramienta eléctrica puede provocar un accidente. Asegúrese de que la empuñadura adicional se apriete firmemente con un par adecuado para el método de fijación; fija la herramienta eléctrica de tal manera que se excluya cualquier movimiento de la empuñadura adicional alrededor o a lo largo del eje de perforación.

### Montaje de la empuñadura adicional

Para abrir la empuñadura adicional, gire el asidero inferior de la empuñadura adicional **(4)** en contra del sentido de giro de las agujas del reloj.

Tire hacia atrás la pieza intermedia de la empuñadura adicional y manténgala en esta posición.

Desplace la empuñadura adicional sobre el portabrocas, para aplicar la empuñadura adicional en la herramienta eléctrica.

A continuación, suelte la pieza intermedia .  
Luego, vuelva a apretar de nuevo la empuñadura adicional (4) en sentido horario.

#### Orientación de la empuñadura adicional

La empuñadura adicional (4) la puede girar a voluntad, para lograr una postura de trabajo segura y libre de fatiga.

Gire la parte inferior de la empuñadura adicional (4) en sentido antihorario y gire la empuñadura adicional (4) a la posición deseada. Luego, vuelva a apretar de nuevo el asidero inferior de la empuñadura adicional (4) en sentido horario.

#### Ajuste de la profundidad de perforación

Con el tope de profundidad (3) se puede fijar la profundidad de taladrado X deseada.

Suelte el tornillo de mariposa para el ajuste del tope de profundidad (5) y coloque el tope de profundidad en la empuñadura adicional (4).

Extraiga el tope de profundidad (3), hasta que la distancia entre la punta de la broca y la punta del tope de profundidad (3) corresponda a la profundidad de taladrado X deseada.

Apriete de nuevo firmemente el tornillo de mariposa para el ajuste del tope de profundidad (5).

#### Cambio de útil (ver figura A)

► **Desmonte el acumulador antes de manipular la herramienta eléctrica (p. ej. en el mantenimiento, cambio de útil, etc.) así como al transportarla y guardarla.** En caso contrario podría accidentarse al accionar fortuitamente el interruptor de conexión/desconexión.

Cuando el interruptor de conexión/desconexión (17) no está presionado, el husillo de taladrar está bloqueado. Ello permite el cambio rápido, cómodo y sencillo del útil montado en el portabrocas.

Abra el portabrocas de sujeción rápida (2) girando en sentido de giro ⚙, hasta que se pueda colocar el útil. Inserte el útil.

Gire vigorosamente el manguito del portabrocas de sujeción rápida (2) en sentido de giro ⚙ con la mano. El portabrocas se bloquea así automáticamente.

#### Aspiración de polvo y virutas

El polvo de ciertos materiales como, pinturas que contengan plomo, ciertos tipos de madera y algunos minerales y metales, puede ser nocivo para la salud. El contacto y la inspiración de estos polvos pueden provocar en el usuario o en las personas circundantes reacciones alérgicas y/o enfermedades respiratorias.

Ciertos polvos como los de roble, encina y haya son considerados como cancerígenos, especialmente en combinación con los aditivos para el tratamiento de la madera (cromatos, conservantes de la madera). Los materiales que contengan amianto solamente deberán ser procesados por especialistas.

- Observe que esté bien ventilado el puesto de trabajo.
- Se recomienda una mascarilla protectora con un filtro de la clase P2.

Observe las prescripciones vigentes en su país sobre los materiales a trabajar.

- **Evite acumulaciones de polvo en el puesto de trabajo.** Los materiales en polvo se pueden inflamar fácilmente.

## Operación

### Puesta en marcha

#### Montaje del acumulador

**Indicación:** La utilización de acumuladores no adecuados para su herramienta eléctrica puede causar un funcionamiento anómalo o un daño a la herramienta eléctrica.

Colocar el selector de sentido de giro (16) en el centro, para evitar una conexión involuntaria. Coloque el acumulador (11) cargado en la empuñadura, hasta que encastre perceptiblemente y quede enrasado en la empuñadura.

#### Ajustar el sentido de giro (ver figura B)

Con el selector de sentido de giro (16) puede modificar el sentido de giro de la herramienta eléctrica. Sin embargo, esto no es posible con el interruptor de conexión/desconexión (17) presionado.

↻ **Rotación a la derecha:** Desplace el selector del sentido de giro (16) a ambos lados hasta el tope en la posición ◀.

↻ **Rotación a la izquierda:** Desplace el selector del sentido de giro (16) a ambos lados hasta el tope en la posición ▶.

#### Ajuste del modo de operación



##### Taladrar

Ponga el selector del modo de funcionamiento (7) sobre el símbolo "Taladrar".



##### Atornillar

Ponga el selector del modo de funcionamiento (7) sobre el símbolo "Atornillar".



##### Taladrado con percusión (GSB 18V-150 C)

Ponga el selector del modo de funcionamiento (7) sobre el símbolo "Taladrar con percusión".

#### Conexión/desconexión

Para la **puesta en marcha** de la herramienta eléctrica, accionar y mantener en esa posición el interruptor de conexión/desconexión (17).

El LED (13) se enciende con el interruptor de conexión/desconexión (17) leve o totalmente oprimido y posibilita la iluminación de la zona de trabajo con condiciones de luz desfavorables.

Para **desconectar** la herramienta eléctrica, suelte el interruptor de conexión/desconexión (17).

#### Ajuste de las revoluciones

El número de revoluciones de la herramienta eléctrica conectada lo puede regular de modo continuo, según la pre-



sión ejercida sobre el interruptor de conexión/desconexión (17).

Una leve presión sobre el interruptor de conexión/desconexión (17) origina un número de revoluciones bajo. Incrementando paulatinamente la presión van aumentando las revoluciones en igual medida.

#### Preseleccionar el par de giro (válido para el modo de operación atornillar)

Con el anillo de ajuste para preselección de par (6) puede preseleccionar el par de giro necesario en 25 escalones. En el momento de alcanzarse el par ajustado se detiene el útil.

#### Selector de velocidad mecánico

► **Accione el selector de velocidad (8) sólo con la herramienta eléctrica en reposo.**

#### Velocidad 1:

Campo de bajas revoluciones; para taladros de gran diámetro o para atornillar.

#### Velocidad 2:

Campo de altas revoluciones; para perforaciones pequeñas.

► **Siempre empuje hasta el tope el selector de velocidad.**

En caso contrario podría dañarse la herramienta eléctrica.

#### Desconexión rápida (KickBack Control)



**La desconexión rápida (KickBack Control) ofrece un mejor control sobre la herramienta eléctrica y aumenta así la protección del usuario, en comparación a las herramientas eléctricas sin KickBack Control. En caso de una repentina e imprevisible rotación de la herramienta eléctrica alrededor del eje de la broca, se desconecta la herramienta eléctrica.**

La desconexión rápida se indica mediante el parpadeo rojo del LED (22), una iluminación intermitente de la luz de trabajo (13) así como una iluminación roja del LED para el KickBack Control (23) en la herramienta eléctrica.

Para la **nueva puesta en servicio** suelte el interruptor de conexión/desconexión y accíonelo de nuevo.

► **Si la función KickBack Control está defectuosa, ya no se deja conectar la herramienta eléctrica. Únicamente haga reparar su herramienta eléctrica por un profesional calificado, empleando exclusivamente piezas de repuesto originales.**

La desconexión rápida se puede desactivar en la interfaz de usuario (14) con la tecla (24). Si no se utiliza la herramienta eléctrica durante más de 5 minutos o si se retira el acumulador, se vuelve a activar automáticamente la función de desconexión rápida. El estado actual se visualiza a través del LED para el KickBack Control (23) en la interfaz de usuario (14).

Tenga en cuenta que la luz de advertencia no es visible desde todas las direcciones. La luz de advertencia es difícil de reconocer con una luz solar intensa.

#### Electronic Angle Detection (EAD)

Con la detección electrónica de ángulos (EAD), se puede preseleccionar un ángulo de inclinación que la herramienta eléctrica detecta e indica al usuario durante el trabajo. Esto permite, por ejemplo, perforar o atornillar en ángulo recto en una superficie inclinada. La detección electrónica de ángulos (EAD) se controla a través de la interfaz de usuario (14).

Seleccione un ángulo (45°, 60°, definido por el usuario) en la interfaz de usuario (14). **Indicación:** En los ajustes de fábrica, el ángulo definido por el usuario es de 90°. Éste se puede adaptar a través de la aplicación Bosch-App.

Para ajustar el ángulo, pulse la tecla de detección electrónica de ángulos (EAD) (20), hasta que el LED del ángulo de inclinación deseado (21) comience a parpadear.

Además del LED del ángulo de inclinación deseado (21), el LED para la detección electrónica de ángulos (EAD) (9) también comienza a parpadear en color amarillo. Ahora posicione la herramienta eléctrica en la superficie deseada y sosténgala lo más quieta posible. **Indicación:** Si la herramienta eléctrica no se sostiene quieta durante el proceso de iniciación, el proceso de iniciación termina automáticamente después de 10 segundos y se restablece el último valor ajustado.

La herramienta eléctrica comienza el proceso de iniciación después del posicionamiento. Durante el proceso de iniciación, se aprende la superficie deseada. El proceso de iniciación se ha finalizado, cuando el LED para la detección electrónica de ángulos (EAD) (9) se ilumina en color verde durante aprox. 1 segundo, y luego se apaga y el LED para el ángulo de inclinación (21) se ilumina de forma permanente.

Retire la herramienta eléctrica de la superficie. Alinee la herramienta eléctrica al ángulo de inclinación deseado con la superficie reprogramada. El LED (22) se ilumina en color amarillo cuando el ángulo de inclinación está dentro de +/-10° del ángulo de inclinación preconfigurado.

Si se alcanza un ángulo de inclinación de +/-3° con respecto al ángulo de inclinación preconfigurado, el LED (9) se ilumina en color verde. Para finalizar la detección electrónica de ángulos (EAD), pulse la tecla de detección electrónica de ángulos (EAD) (20), hasta que ya no se ilumine ninguno de los LEDs de selección de ángulos (21) (45° → 60° → Definido por el usuario → Descon.). El ángulo ajustado, así como la superficie de referencia se mantienen incluso cuando se cambia el acumulador o cuando se despierta la herramienta eléctrica del modo de reposo.

#### Interfaz del usuario (ver figura D)

La interfaz de usuario (14) sirve para el ajuste y la comprobación de un ángulo de inclinación en el marco de la detección electrónica de ángulos (EAD), para la desactivación de la desconexión rápida (KickBack Control) y para la visualización del estado de la herramienta eléctrica.

## Indicadores de estado

Indicador de estado de herramienta eléctrica (22)	Significado/causa	Solución
Verde	Estado OK	–
Amarillo	Se ha alcanzado la temperatura crítica, el acumulador está casi vacío o el KickBack Control está desconectado	Deje funcionar y enfriar la herramienta eléctrica al ralentí, cambie resp. cargue pronto el acumulador o pulse la tecla KickBack
Rojo encendido	La herramienta eléctrica está sobrecalentada o el acumulador está vacío	Deje enfriar la herramienta eléctrica o cambie resp. cargue el acumulador
Rojo parpadeante	La desconexión de contrgolpe se ha activado	Desconecte y vuelva a conectar la herramienta eléctrica
Luz intermitente azul	La herramienta eléctrica está conectada con el aparato final portátil o la configuración se está transmitiendo	–

Indicador de estado de herramienta eléctrica (9)	Significado/causa
Verde	El ángulo seleccionado se ha alcanzado con una tolerancia de $\pm 3^\circ$ con respecto a la superficie reprogramada <sup>A)</sup>
Amarillo	El ángulo seleccionado se ha alcanzado con una tolerancia de $\pm 10^\circ$ con respecto a la superficie reprogramada <sup>A)</sup>
Amarillo parpadeante, luego brevemente verde	La superficie se está reprogramando
Amarillo parpadeante, luego brevemente amarillo	El proceso de inicialización no se ha realizado correctamente

A) La precisión absoluta de la medición puede variar debido a diferentes condiciones (p. ej. la desalineación del aparato con respecto al tornillo debido al juego entre la punta del destornillador y/o el adaptador; la planeidad de la superficie a la que se hace referencia; ...)

## Funciones de conectividad

En combinación con el módulo *Bluetooth*® Low Energy Module **GCY 42** están a disposición las siguientes funciones de conectividad para la herramienta eléctrica:

- Registro y personalización
- Comprobación de estado, emisión de mensaje de advertencia
- Informaciones generales y configuraciones
- Administración

Lea las correspondientes instrucciones de servicio respecto a las informaciones del módulo *Bluetooth*® Low Energy Module **GCY 42**.

## Instrucciones de trabajo

- ▶ **La herramienta eléctrica con el módulo *Bluetooth*® Low Energy Module GCY 42 montado está equipado con una radiointerfaz. Observar las limitaciones locales de servicio, p. ej. en aviones o hospitales.**
- ▶ **Solamente aplique la herramienta eléctrica desconectada en la tuerca o tornillo.** Los útiles en rotación pueden resbalar.

Para quitar una punta de atornillar o un soporte universal de punta de atornillar, está permitido utilizar una herramienta universal.

## Clip de sujeción al cinturón

El clip de cinturón (**10**) le permite enganchar la herramienta eléctrica, p. ej., a un cinturón. De esta manera le quedan libres ambas manos y tiene siempre accesible la herramienta eléctrica.

## Mantenimiento y servicio

## Mantenimiento y limpieza

- ▶ **Desmantele el acumulador antes de manipular la herramienta eléctrica (p. ej. en el mantenimiento, cambio de útil, etc.) así como al transportarla y guardarla.** En caso contrario podría accidentarse al accionar fortuitamente el interruptor de conexión/desconexión.
- ▶ **Mantenga limpia la herramienta eléctrica y las rejillas de refrigeración para trabajar con eficacia y seguridad.**

## Servicio técnico y atención al cliente

El servicio técnico le asesorará en las consultas que pueda Ud. tener sobre la reparación y mantenimiento de su producto, así como sobre piezas de recambio. Las representaciones gráficas tridimensionales e informaciones de repuestos se encuentran también bajo: **www.bosch-pt.com**

El equipo asesor de aplicaciones de Bosch le ayuda gustosamente en caso de preguntas sobre nuestros productos y sus accesorios.



Para cualquier consulta o pedido de piezas de repuesto es imprescindible indicar el nº de artículo de 10 dígitos que figura en la placa de características del producto.

### México

Robert Bosch S. de R.L. de C.V.  
Calle Robert Bosch No. 405  
C.P. 50071 Zona Industrial, Toluca - Estado de México  
Tel.: (52) 55 528430-62  
Tel.: 800 6271286  
www.bosch-herramientas.com.mx

**Direcciones de servicio adicionales se encuentran bajo:**  
www.bosch-pt.com/serviceaddresses

### Transporte

Los acumuladores de iones de litio incorporados están sujetos a los requerimientos estipulados en la legislación sobre mercancías peligrosas. Los acumuladores pueden ser transportados por carretera por el usuario sin más imposiciones. En el envío por terceros (p.ej., transporte aéreo o por agencia de transportes) deberán considerarse las exigencias especiales en cuanto a su embalaje e identificación. En este caso deberá recurrirse a los servicios de un experto en mercancías peligrosas al preparar la pieza para su envío.

Únicamente envíe acumuladores si su carcasa no está dañada. Si los contactos no van protegidos cúbralos con cinta adhesiva y embale el acumulador de manera que éste no se pueda mover dentro del embalaje. Observe también las prescripciones adicionales que pudieran existir al respecto en su país.

### Eliminación



Las herramientas eléctricas, acumuladores, accesorios y embalajes deberán someterse a un proceso de recuperación que respete el medio ambiente.



¡No arroje las herramientas eléctricas, acumuladores o pilas a la basura!

### Acumuladores/pilas:

#### Iones de Litio:

Por favor, observe las indicaciones en el apartado Transporte (ver "Transporte", Página 41).



**El símbolo es solamente válido, si también se encuentra sobre la placa de características del producto/fabricado.**

## Português do Brasil

### Indicações de segurança

#### Instruções gerais de segurança para ferramentas elétricas

#### ⚠ AVISO

**Leia todas as indicações de segurança, instruções, ilustrações**

**e especificações fornecidas com esta ferramenta**

**elétrica.** O desrespeito das instruções apresentadas abaixo poderá resultar em choque elétrico, incêndio e/ou ferimentos graves.

**Guarde todas as advertências e instruções para futura referência.**

O termo "ferramenta elétrica" em todos os avisos listados abaixo referem-se a ferramenta alimentada através de seu cordão de alimentação ou a ferramenta operada a bateria (sem cordão).

#### Segurança da área de trabalho

- ▶ **Mantenha a área de trabalho limpa e bem iluminada.** As áreas de trabalho desarrumadas ou escuras podem levar a acidentes.
- ▶ **Não opere as ferramentas elétricas em atmosferas explosivas, ou seja, na presença de líquidos, gases ou pó inflamáveis.** As ferramentas criam faíscas que podem inflamar a poeira ou os vapores.
- ▶ **Mantenha as crianças e outras pessoas afastadas da ferramenta elétrica durante o uso.** As distrações podem resultar na perda do controle.

#### Segurança elétrica

- ▶ **Os plugues da ferramenta devem ser compatíveis com as tomadas. Nunca modifique o plugue. Não use plugues de adaptador com ferramentas aterradas.** Os plugues sem modificações aliados a utilização de tomadas compatíveis reduzem o risco de choque elétrico.
- ▶ **Evite o contato do corpo com superfícies aterradas, como tubos, aquecedores, fogões e geladeiras.** Há um risco elevado de choque elétrico se seu corpo estiver aterrado.
- ▶ **Mantenha as ferramentas elétricas afastadas da chuva ou umidade.** A entrada de água em uma ferramenta elétrica aumenta o risco de choque elétrico.
- ▶ **Não use o cabo para outras finalidades. Jamais use o cabo para transportar, puxar ou desconectar a ferramenta elétrica. Mantenha o cabo afastado do calor, do óleo, de arestas afiadas ou de partes móveis.** Os cabos danificados ou emaranhados aumentam o risco de um choque elétrico.
- ▶ **Ao operar uma ferramenta elétrica ao ar livre, use um cabo de extensão adequado para áreas exteriores.** O uso de um cabo de extensão apropriado para áreas exteriores reduz o risco de choque elétrico.
- ▶ **Se não for possível evitar o funcionamento da ferramenta elétrica em áreas úmidas, utilizar uma**

**alimentação protegida por um dispositivo de corrente diferencial residual (DR).** O uso de um DR reduz o risco de um choque elétrico.

#### Segurança pessoal

- ▶ **Fique atento, olhe o que está fazendo e use o bom senso ao operar uma ferramenta. Não use uma ferramenta elétrica quando estiver cansado ou sob a influência de drogas, álcool ou medicamentos.** Um momento de desatenção enquanto opera uma ferramenta pode resultar em graves ferimentos pessoais.
- ▶ **Use equipamento de proteção individual. Use sempre óculos de proteção.** O uso de equipamento de proteção individual, como máscara de proteção contra poeira, sapatos de segurança antiderrapantes, capacete de segurança ou proteção auricular, usado nas condições adequadas irá reduzir o risco de ferimentos pessoais.
- ▶ **Evite a partida não intencional. Assegure-se de que o interruptor está na posição de desligado antes de conectar o plugue na tomada e/ou bateria, pegar ou carregar a ferramenta.** Carregar as ferramentas com o seu dedo no interruptor ou conectar as ferramentas que apresentam interruptor na posição "ligado", são convites a acidentes.
- ▶ **Remova qualquer ferramenta ou chave de ajuste antes de ligar a ferramenta elétrica.** Uma ferramenta ou chave ainda ligada a uma parte rotativa da ferramenta elétrica pode resultar em ferimentos pessoais.
- ▶ **Evite uma posição anormal. Mantenha uma posição firme e mantenha sempre o equilíbrio.** Desta forma é mais fácil controlar a ferramenta elétrica em situações inesperadas.
- ▶ **Use vestuário apropriado. Não use roupa larga nem joias. Mantenha seus cabelos e roupas afastados de partes móveis.** As roupas largas, joias ou cabelos longos podem ser agarrados por partes móveis.
- ▶ **Se for possível montar dispositivos de aspiração ou de coleta, assegure-se de que são conectados e usados corretamente.** O uso de um dispositivo de coleta de poeira pode reduzir os riscos associados a poeiras.
- ▶ **Não deixe que a familiaridade resultante do uso frequente de ferramentas permita que você se torne complacente e ignore os princípios de segurança da ferramenta.** Uma ação descuidada pode causar ferimentos graves numa fração de segundo.

#### Uso e manuseio cuidadoso da ferramenta elétrica

- ▶ **Não sobrecarregue a ferramenta elétrica. Use a ferramenta elétrica correta para a sua aplicação.** É melhor e mais seguro trabalhar com a ferramenta elétrica apropriada na área de potência para a qual foi projetada.
- ▶ **Não use a ferramenta elétrica se o interruptor estiver defeituoso.** Qualquer ferramenta elétrica que não pode mais ser controlada com o interruptor é perigosa e deve ser reparada.
- ▶ **Desconecte o plugue da alimentação e/ou remova a bateria, se removível, da ferramenta elétrica antes de efetuar ajustes, trocar acessórios ou guardar as**

**ferramentas elétricas.** Tais medidas de segurança preventivas reduzem o risco de se ligar a ferramenta acidentalmente.

- ▶ **Guarde as ferramentas elétricas não utilizadas fora do alcance das crianças e não permita que as pessoas que não estejam familiarizadas com a ferramenta elétrica ou com essas instruções usem a ferramenta elétrica.** As ferramentas elétricas são perigosas nas mãos de usuários não treinados.
- ▶ **Trate as ferramentas elétricas e acessórios com cuidado. Cheque o desalinhamento ou coesão das partes móveis, rachaduras e qualquer outra condição que possa afetar a operação da ferramenta. Se houver danos, repare a ferramenta elétrica antes do uso.** Muitos acidentes são causados por ferramentas elétricas com manutenção inadequada.
- ▶ **Mantenha as ferramentas de corte afiadas e limpas.** As ferramentas de corte cuidadosamente mantidas e com arestas de corte afiadas emperram com menos frequência e são mais fáceis de controlar.
- ▶ **Use a ferramenta elétrica, acessórios, bits etc. de acordo com essas instruções, considerando as condições de trabalho e o trabalho a executar.** O uso da ferramenta elétrica em tarefas diferentes das previstas poderá resultar em uma situação perigosa.
- ▶ **Mantenha as empunhadadeiras e as superfícies de agarrar secas, limpas e livres de óleo e graxa.** As empunhadadeiras e superfícies de agarrar escorregadias não permitem o manuseio e controle seguros da ferramenta em situações inesperadas.

#### Manuseio e uso cuidadoso da ferramenta com bateria

- ▶ **Recarregar somente com o carregador especificado pelo fabricante.** Um carregador que é adequado para um tipo de bateria pode gerar risco de fogo quando utilizado com outro tipo de bateria.
- ▶ **Use as ferramentas somente com as baterias especificamente designadas.** O uso de outro tipo de bateria pode gerar risco de ferimento e fogo.
- ▶ **Quando a bateria não estiver em uso, mantenha-o afastado de objetos metálicos como clips, moedas, chaves, pregos, parafusos ou outros objetos metálicos pequenos que podem fazer a ligação de um terminal com o outro.** O curto-circuito dos terminais da bateria pode gerar queimaduras ou fogo.
- ▶ **Sob condições abusivas, líquidos podem vazar ser expelidos pela bateria; evite o contato. Se o contato acidental ocorrer, lave com água. Se o líquido entrar em contato com os olhos, consulte um médico.** Líquido expelido pela bateria podem causar irritação ou queimaduras.
- ▶ **Não use uma bateria ou uma ferramenta danificada ou modificada.** As baterias danificadas ou modificadas exibem um comportamento imprevisível podendo causar incêndio, explosão ou risco de ferimentos.

- ▶ **Não exponha a bateria ou a ferramenta ao fogo ou temperaturas excessivas.** A exposição ao fogo ou a temperaturas acima de 130°C pode causar explosão.
- ▶ **Siga todas as instruções de carregamento e não carregue a bateria ou a ferramenta fora da faixa de temperatura especificada nas instruções.** O carregamento inadequado ou a temperaturas fora da faixa especificada pode danificar a bateria e aumentar o risco de incêndio.

#### Serviço

- ▶ **Somente permita que a sua ferramenta elétrica seja reparada por pessoal qualificado e usando peças de reposição originais.** Só dessa forma é assegurada a segurança da ferramenta elétrica.
- ▶ **Jamais tente reparar baterias danificadas.** O reparo de baterias deve ser somente realizado pelo fabricante ou por prestadores de serviços autorizados.

#### Instruções de segurança para furadeiras e parafusadeiras

##### Instruções de segurança para todas as operações

- ▶ **Use protetores auriculares ao perfurar no modo de impacto.** A exposição ao ruído pode causar perda de audição.
- ▶ **Use a(s) empunhadoreis(s) auxiliar(es).** A perda de controle pode causar danos pessoais.
- ▶ **Segure a ferramenta elétrica pela superfície isolada de manuseio, ao realizar uma operação onde o acessório de corte ou os elementos de fixação podem entrar em contato com a fiação oculta.** O contato do acessório de corte ou dos elementos de fixação a um fio "vivo" pode tornar "vivas" as partes metálicas expostas da ferramenta e pode resultar ao operador um choque elétrico.

##### Instruções de segurança no uso de brocas longas

- ▶ **Nunca opere a uma velocidade maior do que a velocidade nominal máxima da broca.** Em velocidades elevadas, há a possibilidade da broca entortar se girar livremente sem entrar em contato com a peça de trabalho, resultando em lesão pessoal grave.
- ▶ **Comece sempre a perfurar em baixa velocidade e com a ponta da broca em contato com a peça de trabalho.** Em velocidade elevada, há a possibilidade de a broca entortar se girar livremente sem entrar em contato com a peça de trabalho, resultando em lesão pessoal grave.
- ▶ **Aplique pressão somente em linha direta com a broca e não aplique pressão excessiva.** A broca pode entortar causando a ruptura ou a perda de controle, resultando em lesão pessoal.

##### Instruções de segurança adicionais

- ▶ **Segure bem a ferramenta elétrica.** Ao apertar ou soltar parafusos podem ocorrer momentos de reação elevados.
- ▶ **Fixar a peça a ser trabalhada.** Uma peça a ser trabalhada fixa com dispositivos de aperto ou com um

torno de bancada está mais firme do que segurada com a mão.

- ▶ **Utilizar detectores apropriados, para encontrar cabos escondidos, ou consultar a companhia elétrica local.** O contato com cabos elétricos pode provocar fogo e choques elétricos. Danos em tubos de gás podem levar a explosões. A penetração em um cano de água causa danos materiais.
- ▶ **Espere a ferramenta elétrica parar completamente, antes de depositá-la.** O acessório acoplável pode emperrar e levar à perda de controle sobre a ferramenta elétrica.
- ▶ **Em caso de danos e de utilização incorreta da bateria, podem escapar vapores. A bateria pode incendiar-se ou explodir.** Arejar bem o local de trabalho e consultar um médico se forem constatados quaisquer sintomas. Os vapores podem irritar as vias respiratórias.
- ▶ **Não abra a bateria.** Existe perigo de curto-circuito.
- ▶ **A bateria pode ser danificada com objetos pontiagudos como p. ex. prego ou chave de parafusos ou devido à influência de força externa.** Pode ocorrer um curto-circuito interno e a bateria pode arder, deitar fumaça, explodir ou sobreaquecer.
- ▶ **Usar a bateria apenas em produtos do fabricante.** Só assim é que a bateria fica protegida contra sobrecarga perigosa.



**Proteja a bateria do calor, p. ex. radiação solar permanente, fogo, sujeira, água e umidade.** Há risco de explosão ou de um curto-circuito.



- ▶ **Desligue de imediato a ferramenta elétrica se o acessório acoplável ficar bloqueado. Esteja preparado para torques de reação altos que causam um contragolpe.** O acessório acoplável fica bloqueado se a ferramenta elétrica é sobrecarregada ou se ficar emperrada em uma peça a ser trabalhada.
- ▶ **Cuidado! Durante a utilização da ferramenta elétrica com Bluetooth® podem ocorrer falhas noutros aparelhos e instalações, aviões e aparelho médicos (p. ex. marca-passos, aparelhos auditivos). Também não é possível excluir lesões em pessoas e animais nas imediações. Não utilize a ferramenta elétrica com Bluetooth® nas proximidades de aparelhos médicos, estações de serviço, instalações químicas, áreas com perigo de explosão e em áreas de detonação. Não utilize a ferramenta elétrica com Bluetooth® em aviões. Evite o funcionamento durante um longo período de tempo junto ao corpo.**

**A marca nominativa Bluetooth® bem como os símbolos gráficos (logótipos) são marcas registradas e propriedade da Bluetooth SIG, Inc. Qualquer utilização desta marca nominativa/símbolos gráficos pela Robert Bosch Power Tools GmbH é feita ao abrigo de licença.**

## Descrição do produto e especificações



**Ler todas as indicações de segurança e instruções.** O desrespeito das advertências e das instruções de segurança apresentadas abaixo pode causar choque elétrico, incêndio e/ou graves lesões.

Respeite as ilustrações na parte da frente do manual de instruções.

### Utilização adequada

A ferramenta elétrica é adequada para apertar e soltar parafusos, bem como para furar madeira, metal, cerâmica e plástico. O GSB também é adequado para furar com impacto em tijolo, alvenaria e pedra.

Os dados e ajustes da ferramenta elétrica podem ser transferidos entre a ferramenta elétrica e um aparelho terminal móvel com o *Bluetooth*® Low Energy Module **GCY 42** inserido através de tecnologia de radiotransmissão *Bluetooth*®.

### Componentes ilustrados

A numeração dos componentes ilustrados refere-se à apresentação da ferramenta elétrica na página de esquemas.

- (1) Mandril
- (2) Mandril de aperto rápido
- (3) Batente de profundidade
- (4) Punho adicional (superfície de aderência isolada)

- (5) Parafuso de orelhas para ajuste do batente de profundidade
- (6) Anel de ajuste da pré-seleção do torque
- (7) Seletor dos modos de serviço
- (8) Seletor de marchas
- (9) LED para a detecção eletrônica do ângulo (EAD)
- (10) Clipe de suporte para cinto
- (11) Bateria
- (12) Tecla de desbloqueio da bateria
- (13) Luz de trabalho (interface de usuário)
- (14) Interface de usuário
- (15) Porta-bits<sup>a)</sup>
- (16) Comutador de reversão
- (17) Interruptor de ligar/desligar
- (18) Punho (superfície de aderência isolada)
- (19) Cobertura do *Bluetooth*® Low Energy Module **GCY 42**
- (20) Tecla para a para a detecção eletrônica do ângulo (EAD) (interface de usuário)
- (21) LED para o ângulo de inclinação predefinido da detecção eletrônica do ângulo (EAD) (interface de usuário)
- (22) LED para ferramenta elétrica (interface de usuário)
- (23) LED para KickBack Control (interface de usuário)
- (24) Tecla para KickBack Control (interface de usuário)
- (25) Número de encomenda do punho adicional 1 602 025 07Y

a) **Acessórios apresentados ou descritos não pertencem ao volume de fornecimento. Todos os acessórios encontram-se no nosso catálogo de acessórios.**

### Dados técnicos

Furadeira sem fio		GSR 18V-150 C	GSB 18V-150 C
Número de produto		<b>3 601 JJ5 0..</b>	<b>3 601 JJ5 1..</b>
Tensão nominal	V=	18	18
Nº de rotações em vazio <sup>A)</sup>			
– 1ª velocidade	rpm	0–550	0–550
– 2ª velocidade	rpm	0–2 200	0–2 200
Nº de impactos <sup>A)</sup>	ipm	–	0–30 000
Torque em materiais duros/macios segundo a norma ISO 5393 (2017) <sup>A)</sup>	Nm	100/84	100/84
Torque máx. <sup>A)</sup>	Nm	150	150
Ø máx. de furo			
– Madeira	mm	150	150
– Aço	mm	16	16
– Alvenaria	mm	–	20
Mandril		1,5–13	1,5–13
Máximo diâmetro do parafuso	mm	13	13
Peso conforme EPTA-Procedure 01:2014 <sup>B)</sup>	kg	2,4–3,5	2,5–3,6

Furadeira sem fio		GSR 18V-150 C	GSB 18V-150 C
Temperatura ambiente recomendada ao carregar	°C	0 ... +35	0 ... +35
Temperatura ambiente admissível durante o funcionamento e durante o armazenamento	°C	-20 ... +50	-20 ... +50
Baterias compatíveis		GBA 18V... ProCORE18V...	GBA 18V... ProCORE18V...
Baterias recomendadas para desempenho total		ProCORE18V... ≥ 5,5 Ah	ProCORE18V... ≥ 5,5 Ah
Carregadores recomendados		GAL 18... GAX 18... GAL 36...	GAL 18... GAX 18... GAL 36...

A) Medido a 20–25 °C com bateria **ProCORE18V 8.0Ah**.

B) Medido com **GBA 18V 1.5Ah** e **GBA 18V 12.0Ah**.

### Informação sobre ruídos/vibrações

		GSR 18V-150 C	GSB 18V-150 C
Os valores de emissão de ruído foram determinados de acordo com <b>EN 62841-2-1</b> .			
O nível sonoro avaliado "A" da ferramenta elétrica normalmente é			
Nível de pressão sonora	dB(A)	<b>81</b>	<b>94</b>
Nível de potência sonora	dB(A)	<b>92</b>	<b>105</b>
Incerteza K	dB	<b>5</b>	<b>5</b>
<b>Usar proteção auditiva!</b>			
Valores totais de vibração $a_h$ (soma vetorial nas três direções) e incerteza K determinada em função da <b>EN 62841-2-1</b> :			
Furar:			
$a_h$	$m/s^2$	<b>&lt; 2,5</b>	<b>&lt; 2,5</b>
K	$m/s^2$	<b>1,5</b>	<b>1,5</b>
Furar com impacto:			
$a_h$	$m/s^2$	-	<b>9,5</b>
K	$m/s^2$	-	<b>1,5</b>

Os níveis de vibrações indicados nestas instruções e o valor de emissão de ruído foram medidos de acordo com um método de medição padronizado e podem ser usados para comparar ferramentas elétricas entre si. Também são adequados para uma avaliação preliminar das emissões de vibrações e ruído.

Os níveis de vibrações indicados e o valor de emissão de ruído representam as principais aplicações da ferramenta elétrica. No entanto, se a ferramenta elétrica for usada para outras aplicações, com diferentes acessórios acopláveis ou com manutenção insuficiente, os níveis de vibrações e o valor de emissão de ruído podem ser diferentes. Isso pode aumentar significativamente as emissões de vibrações e ruído durante todo o período de trabalho.

Para uma estimativa precisa das emissões de vibrações e ruído, também devem ser considerados os momentos em que a ferramenta está desligada ou em funcionamento, mas não está realmente em uso. Isso pode reduzir significativamente as emissões de vibrações e ruído durante todo o período de trabalho.

Além disso também deverão ser estipuladas medidas de segurança para proteger o operador contra o efeito de

vibrações, como por exemplo: a manutenção das ferramentas elétricas e dos acessórios acopláveis, luvas durante o trabalho e a organização dos processos de trabalho.

### Montagem

- **Retire a bateria da ferramenta elétrica antes de qualquer trabalho na ferramenta elétrica (p. ex. manutenção, troca de acessório, etc.), assim como para transporte e armazenamento da mesma.** Em caso de acionamento inadvertido do interruptor de ligar/desligar existe perigo de ferimentos.

### Colocar o **Bluetooth® Low Energy Module GCY 42**

Para informações sobre **Bluetooth® Low Energy Module GCY 42**, leia o guia de usuário associado.

## Carregar a bateria

- **Utilize somente os carregadores indicados nos dados técnicos.** Somente estes carregadores são adequados para a bateria de íons de lítio utilizada na sua ferramenta elétrica.

**Nota:** A bateria é fornecida parcialmente carregada. Para assegurar a completa potência da bateria, a bateria deverá ser carregada completamente no carregador antes da primeira utilização.

A bateria de íons de lítio pode ser carregada a qualquer momento, sem que a sua vida útil seja reduzida. Uma interrupção do processo de carga não danifica a bateria.

A bateria de íons de lítio está protegida contra descarga profunda através de "Electronic Cell Protection (ECP)". Quando a bateria fica descarregada, a ferramenta elétrica se desliga através do desligamento de proteção: a ferramenta de trabalho não se move mais.

- **Depois do desligamento automático da ferramenta elétrica, não continue pressionando o interruptor de ligar/desligar.** Isso pode danificar a bateria.

Observar a indicação sobre a eliminação de forma ecológica.


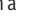
### Remover a bateria

A bateria **(11)** dispõe de dois níveis de bloqueio que devem evitar que a bateria caia se for pressionado inadvertidamente o botão de destravamento da bateria **(12)**. Enquanto a bateria estiver na ferramenta elétrica, ele será mantido em posição por meio de uma mola.

Para retirar a bateria **(11)** pressione o botão de destravamento **(12)** e puxe a bateria para fora da ferramenta elétrica. **Ao fazê-lo, não aplique força.**

### Indicador do nível de carga da bateria

Os LEDs verdes do indicador do nível de carga da bateria mostram o nível de carga da bateria. Por motivos de segurança, a consulta do nível de carga só é possível com a ferramenta elétrica parada.

Pressione a tecla para o indicador do nível de carga  ou  para exibir o nível de carga. Isto também é possível com a bateria removida.

Se depois de pressionar a tecla para o indicador do nível de carga não acender nenhum LED, a bateria tem defeito ou tem de ser substituída.

**Nota:** O nível de carga da bateria também é exibido na interface de usuário **(14)** (ver "Indicadores de estado", Página 48).

### Tipo de bateria GBA 18V...



LEDs	Capacidade
Luz permanente 3 x verde	60–100 %
Luz permanente 2 x verde	30–60 %
Luz permanente 1 x verde	5–30 %
Luz intermitente 1 x verde	0–5 %

### Tipo de bateria ProCORE18V...



LEDs	Capacidade
Luz permanente 5 x verde	80–100 %
Luz permanente 4 x verde	60–80 %
Luz permanente 3 x verde	40–60 %
Luz permanente 2 x verde	20–40 %
Luz permanente 1 x verde	5–20 %
Luz intermitente 1 x verde	0–5 %

### Punho adicional

- **Use sua ferramenta elétrica apenas com o punho adicional(4).**

**Esta ferramenta elétrica só pode usada com o punho adicional com o número de encomenda 1 602 025 07Y.**

- **Certifique-se antes de todos os trabalhos de que o punho adicional está bem apertado.** A perda de controle pode causar ferimentos. Tenha em atenção que o punho adicional é apertado com um torque adequado ao método de fixação, fixe o mesmo na ferramenta elétrica de modo a que fique excluído qualquer movimento do punho adicional em volta ou ao longo do eixo de perfuração.

### Montar o punho adicional

Para abrir o punho adicional, rode a parte de pegar inferior do punho adicional **(4)** no sentido anti-horário.

Puxe a peça intermédia do punho adicional para trás e mantenha-a nesta posição.

Empurre o punho adicional sobre o mandril, para colocar o punho adicional na ferramenta elétrica.

De seguida, solte a peça intermédia.

A seguir rode a parte de pegar inferior do punho adicional **(4)** no sentido horário para voltar a apertar.

### Oscilar punho adicional

É possível mover o punho adicional em posições diferentes **(4)** se desejar, para obter uma posição de trabalho segura sem fazer esforço.

Rode a parte de pegar inferior do punho adicional **(4)** no sentido anti-horário e oscile o punho adicional **(4)** para a posição desejada. A seguir, rode a parte de pegar inferior do punho adicional **(4)** no sentido horário para voltar a apertar.

### Ajustar profundidade de perfuração

Com o limitador de profundidade **(3)** pode ser ajustada a profundidade de furação **X** desejada.

Solte o parafuso de orelhas para o ajuste do limitador de profundidade **(5)** e coloque o limitador de profundidade no punho adicional **(4)**.

Puxe o limitador de profundidade **(3)** para fora, até que a distância entre a ponta da broca e a ponta do limitador de



profundidade (3) corresponda à profundidade de furação X desejada.

Aperte novamente o parafuso de orelhas para o ajuste do limitador de profundidade (5).

### Troca de ferramenta (ver figura A)

- **Retire a bateria da ferramenta elétrica antes de qualquer trabalho na ferramenta elétrica (p. ex. manutenção, troca de acessório, etc.), assim como para transporte e armazenamento da mesma.** Em caso de acionamento inadvertido do interruptor de ligar/desligar existe perigo de ferimentos.

Com o interruptor de ligar/desligar (17) não pressionado, o eixo da broca fica parado. Isso permite uma troca rápida, confortável e simples do acessório acoplável no mandril.

Abra o mandril de aperto rápido (2) rodando no sentido ⚙ até a ferramenta poder ser colocada. Coloque a ferramenta. Rode o soquete do mandril de aperto rápido (2) no sentido ⚙ manualmente com força. Dessa forma, o soquete do mandril é bloqueado automaticamente.

### Aspiração de pó/de aparas

Pós de materiais, como por exemplo, tintas que contêm chumbo, alguns tipos de madeira, minerais e metais, podem ser nocivos à saúde. O contato com os pós ou a inalação dos mesmos pode provocar reações alérgicas e/ou doenças nas vias respiratórias do utilizador ou das pessoas que se encontrem por perto.

Certos pós, como por exemplo pó de carvalho e faia são considerados como sendo cancerígenos, especialmente quando juntos com substâncias para o tratamento de madeiras (cromato, preservadores de madeira). Material que contem amianto só deve ser processado por pessoal especializado.

- Assegurar uma boa ventilação do local de trabalho.
- É recomendável usar uma máscara de proteção respiratória com filtro da classe P2.

Observe as diretrizes, vigentes no seu país, relativas aos materiais a serem trabalhados.

- **Evitar acúmulos de pó no local de trabalho.** Pós podem se inflamar levemente.

## Funcionamento

### Colocação em funcionamento

#### Colocar bateria

**Nota:** A utilização de baterias não adequadas para sua ferramenta elétrica pode originar falhas de funcionamento ou danos na ferramenta elétrica.

Coloque o comutador do sentido de rotação (16) ao centro para evitar uma ligação acidental. Coloque a bateria (11) carregada no punho até engatar audivelmente e ficar à face com o punho.

### Ajustar o sentido de rotação (ver figura B)

Com o comutador do sentido de rotação (16) pode alterar o sentido de rotação da ferramenta elétrica. No entanto, tal não é possível com o interruptor de ligar/desligar (17) pressionado.

🔄 **Rotação à direita:** empurre o comutador do sentido de rotação (16) de ambos os lados até ao batente para a posição ◀.

🔄 **Rotação à esquerda:** empurre o comutador do sentido de rotação (16) de ambos os lados até ao batente para a posição ▶.

### Ajustar o modo de operação



#### Furar

Coloque o seletor do modo de funcionamento (7) no símbolo "Furar".



#### Aparafusar

Coloque o seletor do modo de funcionamento (7) no símbolo "Aparafusar".



#### Furar com impacto (GSB 18V-150 C)

Coloque o seletor do modo de funcionamento (7) no símbolo "Furar com impacto".

### Ligar e desligar

Para **ligar** a ferramenta elétrica pressione e mantenha pressionado o interruptor de ligar/desligar (17).

O LED (13) acende-se com o interruptor de ligar/desligar (17) ligeira ou totalmente pressionado e permite iluminar o local de trabalho com condições de luminosidade desfavoráveis.

Para **desligar** a ferramenta elétrica, soltar o interruptor de ligar/desligar (17).

### Ajustar o número de rotações

É possível regular o número de rotações da ferramenta elétrica ligada, dependendo do quanto o interruptor de ligar/desligar (17) é pressionado.

Uma leve pressão no interruptor de ligar/desligar (17) origina uma rotação baixa. Aumentando a pressão aumenta a rotação.

### Pré-selecionar o torque (válido para o modo de operação Parafusar)

Com o anel de ajuste de pré-seleção do torque (6) pode pré-selecionar o torque necessário em 25 níveis. Assim que o torque definido seja alcançado, o acessório para.

### Ajuste mecânico da velocidade

- **Acione o interruptor de regulação da velocidade (8) somente com a ferramenta elétrica parada.**

#### 1ª velocidade:

Regime de rotações mais baixo; para aparafusar ou trabalhar com grandes diâmetros de perfuração.

#### 2ª velocidade:

Regime de rotações mais alto; para trabalhar com pequenos diâmetros de perfuração.



- ▶ **Empurre o interruptor de regulação da velocidade sempre até ao batente.** Caso contrário, a ferramenta elétrica pode ficar danificada.

#### Desligamento rápido (KickBack Control)



O desligamento rápido (KickBack Control) oferece um melhor controle sobre a ferramenta elétrica e aumenta assim a proteção do usuário em comparação às ferramentas elétricas sem o KickBack Control. Em caso de uma rotação repentina e imprevista da ferramenta elétrica sobre o eixo de perfuração, a ferramenta elétrica se desliga.

O desligamento rápido é indicado na ferramenta elétrica através do LED (22) que pisca a vermelho, da luz de trabalho (13) intermitente e de um acender a vermelho do LED para KickBack Control (23).

Para a **recolocação em funcionamento** solte o interruptor de ligar/desligar e pressione-o de novo.

- ▶ **Se o desligamento rápido (KickBack Control) estiver com defeito, não é possível ligar mais a ferramenta elétrica. Só permita que a ferramenta elétrica seja consertada por pessoal especializado e qualificado e só com peças de reposição originais.**

O desligamento rápido pode ser desativado na interface de usuário (14) com a tecla (24). Se a ferramenta elétrica não for usada durante mais do que 5 minutos ou se a bateria for retirada, o desligamento rápido torna a ligar-se automaticamente. O estado atual é indicado através do LED para KickBack Control (23) na interface de usuário (14).

Tenha em atenção que a luz de aviso não é visível de todas as direções. A luz de aviso é difícil de reconhecer se a luz solar for muito forte.

#### Electronic Angle Detection (EAD)

Com a deteção eletrônica do ângulo (EAD) pode pré-selecionado um ângulo de inclinação que a ferramenta elétrica reconhece durante o trabalho e indica ao usuário. Com isto pode, por exemplo, furar ou parafusar em ângulo reto em uma superfície inclinada. A deteção eletrônica do ângulo (EAD) é controlada através da interface de usuário (14).

Selecione um ângulo (45°, 60°, definido pelo usuário) na interface de usuário (14). **Nota:** Na definição de fábrica o

ângulo definido pelo usuário é de 90°. Este pode ser adaptado através da aplicação Bosch.

Para ajustar o ângulo, pressione a tecla para a deteção eletrônica do ângulo (EAD) (20) as vezes necessárias, até que o LED do ângulo de inclinação desejado (21) comece a piscar.

Para além do LED do ângulo de inclinação desejado (21) também o LED para a deteção eletrônica do ângulo (EAD) (9) começa a piscar a amarelo. Posicione agora a ferramenta elétrica na superfície desejada e mantenha-a o mais quieta possível. **Nota:** Se a ferramenta elétrica não for mantida quieta durante o processo de iniciação, este termina automaticamente após 10 segundos e o último valor definido é restabelecido.

A ferramenta elétrica começa o processo de iniciação após o posicionamento. Durante o processo de iniciação a superfície desejada é aprendida. O processo de iniciação está concluído quando o LED para a deteção eletrônica do ângulo (EAD) (9) se acende a verde durante aprox. 1 segundo e depois se apaga e o LED para o ângulo de inclinação (21) se acende de forma permanente.

Retire a ferramenta elétrica da superfície. Alinhe a ferramenta elétrica no ângulo de inclinação desejado com a superfície aprendida. O LED (22) se acende a amarelo quando o ângulo de inclinação se encontra na área de +/- 10° do ângulo de inclinação predefinido.

Se for alcançado um ângulo de inclinação de +/- 3° relativamente ao ângulo de inclinação predefinido, o LED (9) se acende a verde. Para terminar a deteção eletrônica do ângulo (EAD), pressione a tecla da deteção eletrônica do ângulo (EAD) (20) até que nenhum dos LEDs para a seleção do ângulo (21) se acenda mais (45° → 60° → Definido pelo usuário → Desligado). O ângulo definido e a superfície de referência são mantidos mesmo quando a bateria é trocada ou quando a ferramenta elétrica é novamente acordada do modo de repouso.

#### Interface de usuário (ver figura D)

A interface de usuário (14) serve para ajustar e verificar um ângulo de inclinação no âmbito da deteção eletrônica do ângulo (EAD), para desativar o desligamento rápido (KickBack Control) e para indicar o estado da ferramenta elétrica.

#### Indicadores de estado

Indicação do estado da ferramenta elétrica (22)	Significado/causa	Solução
Verde	Estado OK	–
Amarelo	Temperatura crítica atingida, bateria quase vazia ou KickBack Control desligado	Deixe a ferramenta elétrica funcionar em vazio e esfriar, troque ou carregue a bateria em breve ou pressione a tecla de KickBack
Acende a vermelho	A ferramenta elétrica está superaquecida ou a bateria está vazia	Deixe a ferramenta elétrica esfriar ou troque ou carregue a bateria
Vermelho intermitente	Desligamento preventivo contragolpe disparou	Desligue e volte a ligar a ferramenta elétrica

Indicação do estado da ferramenta elétrica (22)	Significado/causa	Solução
Azul intermitente	A ferramenta elétrica está ligada ao aparelho terminal móvel ou as configurações estão sendo transferidas	-

Indicação do estado da ferramenta elétrica (9)	Significado/causa
Verde	O ângulo selecionado foi atingido com uma tolerância de +/-3° relativamente à superfície aprendida <sup>A)</sup>
Amarelo	O ângulo selecionado foi atingido com uma tolerância de +/-10° relativamente à superfície aprendida <sup>A)</sup>
Amarelo intermitente, depois aceso por breves instantes a verde	A superfície está sendo aprendida
Amarelo intermitente, depois aceso por breves instantes a amarelo	O processo de iniciação não foi executado corretamente

A) A precisão de medição absoluta pode variar devido a diferentes condições (p. ex. desalinhamento da ferramenta em relação ao parafuso devido à folga entre a ponta de parafusar e/ou adaptador da parafusadeira; uniformidade da superfície em relação à qual é feito o referenciamento; ...)

### Funções Connectivity

Juntamente com o *Bluetooth*® Low Energy Module **GCY 42** são disponibilizadas as seguintes funções Connectivity para a ferramenta elétrica:

- Registro e personalização
- Verificação do estado, emissão de mensagens de aviso
- Informações gerais e ajustes
- Gestão

Para informações sobre *Bluetooth*® Low Energy Module **GCY 42**, leia o guia de usuário associado.

### Indicações de trabalho

- ▶ **A ferramenta elétrica com *Bluetooth*® Low Energy Module GCY 42 inserido, está equipada com uma interface de comunicação. Devem ser observadas as restrições de operação locais, p. ex. em aviões ou hospitais.**
- ▶ **Coloque somente a ferramenta elétrica desligada sobre o parafuso.** Ferramentas elétricas rodando podem deslizar.

Para remover a ponta parafusadora ou o porta-bits universal pode ser usada uma ferramenta auxiliar.

### Clipe de suporte para cinto

Com o clipe de suporte para cinto (**10**) pode pendurar a ferramenta elétrica p. ex. no cinto. Assim fica com as duas mãos livres e a ferramenta elétrica está sempre à mão.

## Manutenção e serviço

### Manutenção e limpeza

- ▶ **Retire a bateria da ferramenta elétrica antes de qualquer trabalho na ferramenta elétrica (p. ex. manutenção, troca de acessório, etc.), assim como para transporte e armazenamento da mesma.** Em caso

de acionamento inadvertido do interruptor de ligar/desligar existe perigo de ferimentos.

- ▶ **Manter a ferramenta elétrica e as aberturas de ventilação sempre limpas, para trabalhar bem e de forma segura.**

### Serviço pós-venda e assistência ao cliente

O serviço pós-venda responde às suas perguntas a respeito de serviços de reparação e de manutenção do seu produto, assim como das peças sobressalentes. Desenhos explodidos e informações sobre peças sobressalentes também em:

[www.bosch-pt.com](http://www.bosch-pt.com)

A nossa equipe de consultores Bosch esclarece com prazer todas as suas dúvidas a respeito dos nossos produtos e acessórios.

Indique em todas as questões ou encomendas de peças sobressalentes impreterivelmente a referência de 10 dígitos de acordo com a placa de características do produto.

### Brasil

Robert Bosch Ltda. – Divisão de Ferramentas Elétricas  
Rodovia Anhanguera, Km 98 - Parque Via Norte  
13065-900, CP 1195  
Campinas, São Paulo  
Tel.: 0800 7045 446  
[www.bosch.com.br/contato](http://www.bosch.com.br/contato)

**Encontre outros endereços da assistência técnica em:**

[www.bosch-pt.com/serviceaddresses](http://www.bosch-pt.com/serviceaddresses)

### Transporte

As baterias de lítio incluídas estão em conformidade com os requisitos da regulamentação do transporte de mercadorias perigosas. Os baterias podem ser transportados pelo utilizador, nas vias públicas, sem mais nenhuma obrigação.

No caso de envio através de terceiros (p. ex.: transporte aéreo ou transitário) é necessário respeitar os requisitos

especiais para a embalagem e identificação. Neste caso, para a preparação da embalagem é necessário consultar um perito no transporte de mercadorias perigosas.

Só enviar baterias se a carcaça não estiver danificada. Colar contatos abertos e embalar o bateria de modo que não possa se movimentar dentro da embalagem. Por favor observe também eventuais diretrizes nacionais suplementares.

### Descarte



Ferramentas elétricas, baterias, acessórios e embalagens devem ser enviados a uma reciclagem ecológica de matérias primas.



Não descarte as ferramentas elétricas e as baterias/pilhas no lixo doméstico!

### Baterias/pilhas:

#### Lítio:

Por favor, observe as instruções na seção de transporte (ver "Transporte", Página 49).

## 中文

## 安全规章

### 电动工具通用安全警告

#### 警告！

阅读随电动工具提供的所有安全警告、说明、图示和规定。

不遵照以下所列说明会导致电击、着火和/或严重伤害。

保存所有警告和说明书以备查阅。

警告中的术语“电动工具”是指市电驱动（有线）电动工具或电池驱动（无线）电动工具。

#### 工作场地的安全

- ▶ 保持工作场地清洁和明亮。杂乱和黑暗的场地会引发事故。
- ▶ 不要在易爆环境，如有易燃液体、气体或粉尘的环境下操作电动工具。电动工具产生的火花会点燃粉尘或气体。
- ▶ 操作电动工具时，远离儿童和旁观者。注意力不集中会使你失去对工具的控制。

#### 电气安全

- ▶ 电动工具插头必须与插座相配。绝不能以任何方式改装插头。需接地的电动工具不能使用任何转换插头。未经改装的插头和相配的插座将降低电击风险。
- ▶ 避免人体接触接地表面，如管道、散热片和冰箱。如果你身体接触接地表面会增加电击风险。
- ▶ 不得将电动工具暴露在雨中或潮湿环境中。水进入电动工具将增加电击风险。

- ▶ 不得滥用软线。绝不能用软线搬运、拉动电动工具或拔出其插头。使软线远离热源、油、锐边或运动部件。受损或缠绕的软线会增加电击风险。
- ▶ 当在户外使用电动工具时，使用适合户外使用的延长线。适合户外使用的电线将降低电击风险。
- ▶ 如果无法避免在潮湿的环境中操作电动工具，应使用带有剩余电流装置（RCD）保护的电源。RCD的使用可降低电击风险。

#### 人身安全

- ▶ 保持警觉，当操作电动工具时关注所从事的操作并保持清醒。当你感到疲倦，或在有药物、酒精或治疗反应时，不要操作电动工具。在操作电动工具时瞬间的疏忽会导致严重人身伤害。
- ▶ 使用个人防护装置。始终佩戴护目镜。防护装置，诸如适当条件下使用防尘面具、防滑安全鞋、安全帽、听力防护等装置能减少人身伤害。
- ▶ 防止意外启动。在连接电源和/或电池包、拿起或搬运工具前确保开关处于关断位置。手指放在开关上搬运工具或开关处于接通时通电会导致危险。
- ▶ 在电动工具接通之前，拿掉所有调节钥匙或扳手。遗留在电动工具旋转零件上的扳手或钥匙会导致人身伤害。
- ▶ 手不要过分伸展。时刻注意立足点和身体平衡。这样能在意外情况下能更好地控制住电动工具。
- ▶ 着装适当。不要穿宽松衣服或佩戴饰品。让你的头发和衣服远离运动部件。宽松衣服、佩饰或长发可能会卷入运动部件。
- ▶ 如果提供了与排屑、集尘设备连接用的装置，要确保其连接完好且使用得当。使用集尘装置可降低尘屑引起的危险。
- ▶ 不要因为频繁使用工具而产生的熟悉感而掉以轻心，忽视工具的安全准则。某个粗心的动作可能在瞬间导致严重的伤害。

#### 电动工具使用和注意事项

- ▶ 不要勉强使用电动工具，根据用途使用合适的电动工具。选用合适的按照额定值设计的电动工具会使你工作更有效、更安全。
- ▶ 如果开关不能接通或关断电源，则不能使用该电动工具。不能通过开关来控制的电动工具是危险的且必须进行修理。
- ▶ 在进行任何调节、更换附件或贮存电动工具之前，必须从电源上拔掉插头和/或卸下电池包（如可拆卸）。这种防护性的安全措施降低了电动工具意外启动的风险。
- ▶ 将闲置不用的电动工具贮存在儿童所及范围之外，并且不允许不熟悉电动工具和不了解这些说明的人操作电动工具。电动工具在未经培训的使用者手中是危险的。
- ▶ 维护电动工具及其附件。检查运动部件是否调整到位或卡住，检查零件破损情况和影响电动工具运行的其他状况。如有损坏，应在使用前修理好电动工具。许多事故是由维护不良的电动工具引发的。
- ▶ 保持切削刀具锋利和清洁。维护良好地有锋利切削刃的刀具不易卡住而且容易控制。

- ▶ 按照使用说明书，并考虑作业条件和要进行的作业来选择电动工具、附件和工具的刀头等。将电动工具用于那些与其用途不符的操作可能会导致危险情况。
- ▶ 保持手柄和握持表面干燥、清洁，不得沾有油脂。在意外的情况下，湿滑的手柄不能保证握持的安全和对工具的控制。

#### 电池式工具使用和注意事项

- ▶ 仅使用生产者规定的充电器充电。将适用于某种电池包的充电器用到其他电池包时可能会发生着火危险。
- ▶ 仅使用配有专用电池包的电动工具。使用其他电池包可能会产生伤害和着火危险
- ▶ 当电池包不用时，将它远离其他金属物体，例如回形针、硬币、钥匙、钉子、螺钉或其他小金属物体，以防电池包一端与另一端连接。电池组端部短路可能会引起燃烧或着火。
- ▶ 在滥用条件下，液体可能会从电池组中溅出；应避免接触。如果意外碰到液体，用水冲洗。如果液体碰到了眼睛，还应寻求医疗帮助。从电池中溅出的液体可能会发生腐蚀或燃烧。
- ▶ 不要使用损坏或改装过的电池包或工具。损坏或改装过的电池组可能呈现无法预测的结果，导致着火、爆炸或伤害。
- ▶ 不要将电池包暴露于火或者高温中。电池包暴露于火或高于130°C的高温中可能导致爆炸。
- ▶ 遵守所有充电说明，给电池组或工具充电时不要超出说明中规定的温度范围。错误充电或温度超出规定的范围可能会损坏电池并提高着火的风险。

#### 维修

- ▶ 由专业维修人员使用相同的备件维修电动工具。这将保证所维修的电动工具的安全。
- ▶ 决不能维修损坏的电池包。电池包仅能由生产者或其授权的维修服务商进行维修。

#### 针对钻机和起子机的安全规章

##### 适用于全部操作的安全说明

- ▶ 带耳罩进行冲击作业。暴露于噪声环境会导致失聪。
- ▶ 使用辅助手柄。失控会造成人身伤害。
- ▶ 当在钻削附件可能触及暗线的场合进行操作时，通过绝缘握持面握持工具。钻削附件碰到带电导线会使工具外露金属零件带电而使操作者遭受电击
- ▶ 对于搅拌机，除非搅拌装置位于搅拌材料中，否则不要开启和关闭工具。不这样操作会导致失控而产生人身伤害。
- ▶ 操作时切勿超出钻头的最大额定转速。在较高转速下，如果让钻头在不接触工件的情况下随意旋转，很可能导致其弯折，从而引发人身伤害。
- ▶ 务必以低转速开始钻孔，并让钻头尖端与工件接触。在较高转速下，如果让钻头在不接触工件的情况下随意旋转，很可能导致其弯折，从而引发人身伤害。

- ▶ 施压时务必与钻头成一直线，且不得施加过大压力。若钻头弯折会导致其损坏或失控，从而引发人身伤害。

#### 其它安全规章

- ▶ 请紧握电动工具。拧紧和拧松螺丝时可能短时出现高反应扭矩。
- ▶ 固定好工件。使用固定装置或老虎钳固定工件，会比用手握工件更牢固。
- ▶ 使用合适的侦测装置侦察隐藏的电线，或者向当地的相关单位寻求支援。接触电线可能引起火灾并让操作者触电。损坏了瓦斯管会引起爆炸。如果水管被刺穿了会导致财物损失。
- ▶ 等待电动工具完全静止后才能够放下机器。机器上的工具可能在工作中被夹住，而令您无法控制电动工具。
- ▶ 如果充电电池损坏或者未按照规定使用，充电电池中会散发出有毒蒸汽。充电电池可能会燃烧或爆炸。工作场所必须保持空气流通，如果身体有任何不适必须马上就医。蒸汽会刺激呼吸道。
- ▶ 切勿打开充电电池。可能造成短路。
- ▶ 钉子、螺丝刀等尖锐物品或外力作用可能会损坏充电电池。有可能出现内部短路、蓄电池燃烧、发出烟雾、爆炸或过热。
- ▶ 只能将此充电电池用在制造商的产品中。这样才能确保充电电池不会过载。



保护充电电池免受高温（例如长期阳光照射）、火焰、脏污、水和湿气的侵害。有爆炸和短路的危险。

- ▶ 当工具刀头被夹住时，请立即关闭电动工具。以防反作用力矩导致反弹。当电动工具过载或向待加工工件倾斜时，工具刀头就会卡住。
- ▶ 注意！在使用有蓝牙功能的电动工具时，其他装置和设备、飞机和医疗器械（例如心脏起搏器、助听器）可能会出现故障。同样不能完全排除周围的人和动物会受到伤害。请不要在医疗设备、加油站、化工厂、有爆炸危险的地区附近和在爆破区内使用有蓝牙功能的电动工具。请勿在飞机上使用有蓝牙功能的电动工具。请避免在身体附近较长时间使用。

蓝牙®文字标记和图形符号（标志）是Bluetooth SIG公司的注册商标和财产。Robert Bosch Power Tools GmbH根据许可可使用这些文字标记/图形符号。

#### 产品和性能说明



请阅读所有安全规章和指示。不遵照以下警告和说明可能导致电击、着火和/或严重伤害。

请注意本使用说明开头部分的图示。

#### 按照规定使用

本电动工具用于拧紧和松开螺丝以及在木材、金属、陶瓷和塑料上钻孔。GSB还可以用于在砖块、砖墙和岩石上锤钻。

装入蓝牙 Low Energy Module **G CY 42** (低能耗模块) 后, 通过蓝牙无线技术在电动工具和移动终端设备之间传输电动工具的数据和设置。

### 插图上的机件

机件的编号和电动工具详解图上的编号一致。

- (1) 工具夹头
- (2) 快速夹头
- (3) 限深器
- (4) 辅助手柄 (绝缘握柄)
- (5) 限深器调节翼形螺栓
- (6) 扭矩预选调节环
- (7) 运行模式选择开关
- (8) 选档开关
- (9) 电子角度检测装置 (EAD) 的LED指示灯
- (10) 腰带夹
- (11) 充电电池
- (12) 充电电池的解锁按钮

- (13) 工作灯 (用户界面)
- (14) 用户界面
- (15) 批头套筒<sup>a)</sup>
- (16) 正逆转开关
- (17) 电源开关
- (18) 手柄 (绝缘握柄)
- (19) Bluetooth® (蓝牙) Low Energy Module (低能耗模块) 盖板 **G CY 42**
- (20) 电子角度检测装置 (EAD) 按键 (用户界面)
- (21) 电子角度检测装置 (EAD) 预设倾角的LED指示灯 (用户界面)
- (22) 电动工具的LED指示灯 (用户界面)
- (23) KickBack Control LED指示灯 (用户界面)
- (24) KickBack Control按键 (用户界面)
- (25) 辅助手柄订货号 1 602 025 07Y

a) 图表或说明上提到的附件, 并不包含在基本的供货范围中。本公司的附件清单中有完整的附件供应项目。

### 技术参数

充电式冲击钻起子机		GSR 18V-150 C	GSB 18V-150 C
物品代码		<b>3 601 JJ5 0..</b>	<b>3 601 JJ5 1..</b>
额定电压	V=	18	18
空载转速 <sup>A)</sup>			
- 第1档	次/分钟	0-550	0-550
- 第2档	次/分钟	0-2 200	0-2 200
冲击次数 <sup>A)</sup>	次/分钟	-	0-30 000
根据ISO 5393 (2017) 的硬拧转/软拧转扭矩 <sup>A)</sup>	牛顿米	100/84	100/84
最大扭矩 <sup>A)</sup>	牛顿米	150	150
最大钻孔直径			
- 木材	毫米	150	150
- 钢	毫米	16	16
- 砖墙	毫米	-	20
工具夹头		1.5-13	1.5-13
最大螺丝直径	毫米	13	13
重量符合EPTA-Procedure 01:2014 <sup>B)</sup>	公斤	2.4-3.5	2.5-3.6
充电时建议的环境温度	摄氏度	0至+35	0至+35
工作时和存放时允许的环境温度	摄氏度	-20至+50	-20至+50
兼容的充电电池		GBA 18V... ProCORE18V...	GBA 18V... ProCORE18V...
推荐的确保全功率的充电电池		ProCORE18V... ≥ 5.5安培小时	ProCORE18V... ≥ 5.5安培小时
推荐的充电器		GAL 18... GAX 18... GAL 36...	GAL 18... GAX 18... GAL 36...

A) 在20-25摄氏度的条件下带充电电池**ProCORE18V 8.0Ah**测得

B) 使用**GBA 18V 1.5Ah**和**GBA 18V 12.0Ah**进行测量。



## 安装

- ▶ 在电动工具上进行任何维护的工作（例如维修、更换工具等等），以及搬运、保存电动工具之前都必须从机器中取出蓄电池。无意间操作开关可能会造成伤害。

### 装入Bluetooth®（蓝牙）低能耗模块 GCY 42

有关蓝牙®Low Energy Module（低能耗模块）GCY 42的信息请见相应的使用说明。

### 为充电电池充电

- ▶ 请只使用在技术参数中列出的充电器。只有这些充电器才适用于本电动工具上的锂离子电池。

**提示：**充电电池在交货时只完成部分充电。首度使用电动工具之前，必须先充足充电电池的电量以确保充电电池的功率。

可以随时为锂离子电池充电，不会缩短电池的使用寿命。如果充电过程突然中断，也不会损坏电池。本锂离子电池配备了电池电子保护装置“Electronic Cell Protection (ECP)”，可以防止电池过度放电。电池的电量如果用尽了，保护开关会自动关闭电动工具：安装在机器上的工具刀头会停止转动。

- ▶ 电动工具被关闭之后，切勿继续按住起停开关。否则可能会损坏电池。

请注意有关作废处理的规定。

### 取出充电电池

本充电电池(11)具备双重锁定功能，即使不小心触动了充电电池的解锁按钮(12)，充电电池也不会从机器中掉落下来。只要充电电池安装在电动工具中，就会被弹簧固定在其位置上。

如需取下电池(11)，则请按压解锁按钮(12)，并将电池从电动工具中拔出。在此过程中请勿过度用力。

### 充电电池电量指示灯

充电电池电量指示灯的绿色LED灯显示充电电池的电量。基于安全原因，只能在电动工具静止时检查充电电池的电量。

按压充电电量指示灯按键或，来显示充电电量。也可以在充电电池取下时操作。

如果按压充电电量指示灯按键后没有LED灯亮起，则说明充电电池损坏，必须进行更换。

**提示：**用户界面(14)上也会显示充电电池的电量(参见“状态显示”，页55)。

### 充电电池型号GBA 18V...



LED指示灯	电量
3个绿灯常亮	60-100 %
2个绿灯常亮	30-60 %
1个绿灯常亮	5-30 %

LED指示灯	电量
1个绿灯闪烁	0-5 %

### 充电电池型号ProCORE18V...



LED指示灯	电量
5个绿灯常亮	80-100 %
4个绿灯常亮	60-80 %
3个绿灯常亮	40-60 %
2个绿灯常亮	20-40 %
1个绿灯常亮	5-20 %
1个绿灯闪烁	0-5 %

### 辅助手柄

- ▶ 操作电动工具时务必使用辅助手柄(4)。

该电动工具仅允许搭配订货号为1 602 025 07Y的辅助手柄使用。

- ▶ 在所有操作前确认辅助手柄已拧紧。失控可能会造成人身伤害。请注意，用固定方法适合的扭矩拧紧辅助手柄，然后固定在电动工具上，使辅助手柄无法绕钻孔轴或沿钻孔轴进行任何移动。

### 安装辅助手柄

如要打开辅助手柄，请逆时针转动辅助手柄(4)的下半部。

将辅助手柄的中间件拉回，然后保持在该位置。

将辅助手柄推到钻夹头上方，以便将其安装到电动工具上。

接着松开中间件。

然后顺时针重新拧紧辅助手柄(4)的下半部。

### 摆动辅助手柄

可以任意翻动辅助手柄(4)，以便在工作时毫无疲劳地牢牢抓紧。

逆时针旋转辅助手柄(4)的下半部，并将辅助手柄

(4)转到需要的位置。然后顺时针重新拧紧辅助手柄(4)的下半部。

### 调整钻孔深度

利用限深器(3)可以确定所需的钻孔X。

松开用于调节限深器的蝶翼螺丝(5)，并将限深器装入辅助手柄(4)。

尽可能地拉出限深器(3)，使钻尖与限深器(3)尖端之间的距离等于所需的钻孔深度X。

再次拧紧用于调节限深器的蝶翼螺丝(5)。

### 更换刀具（参见插图A）

- ▶ 在电动工具上进行任何维护的工作（例如维修、更换工具等等），以及搬运、保存电动工具之前都必须从机器中取出蓄电池。无意间操作开关可能会造成伤害。

电源开关(17)未按下时可锁定钻轴。这样就能快速便捷地更换钻夹头中的工具刀头。

沿着方向①转动，打开快速夹头(2)，直至可以插入刀具。安装好刀具。

沿着旋转方向②用手使劲转动快速夹头(2)的衬套。由此钻夹头会被自动锁止。

## 抽吸粉尘/切屑

含铅的颜料以及某些木材、矿物和金属的加工废尘有害健康。机器操作者或者工地附近的人如果接触、吸入这些废尘，可能会有过敏反应或者感染呼吸道疾病。

某些尘埃（例如加工橡木或山毛榉的废尘）可能致癌，特别是和处理木材的添加剂（例如木材的防腐剂等）结合之后。只有经过专业训练的人才能够加工含石棉的物料。

- 工作场所要保持空气流通。
- 最好佩戴P2滤网等级的口罩。

请留心并遵守贵国和加工物料有关的法规。

▶ **避免让工作场所堆积过多的尘垢。** 尘垢容易被点燃。

## 运行

### 投入使用

#### 安装充电电池

**提示：**如果使用的充电电池与电动工具不匹配，则可能会导致功能失灵或电动工具损坏。

将正逆转开关(16)调至中间，以防意外接通。将已充好电的电池(11)装入手柄，直至感觉到其卡入且与手柄平齐。

#### 调整旋转方向（参见插图B）

通过正逆转开关(16)可以更改电动工具的旋转方向。按下起停开关(17)后无法更改。

🔄 **正转：**推动正逆转开关(16)的两侧直至极限位置←。

🔄 **逆转：**推动正逆转开关(16)的两侧直至极限位置→。

#### 设置运行模式



#### 钻孔

将运行模式选择开关(7)调到“钻孔”图标上。



#### 拧螺丝

将运行模式选择开关(7)调到“拧螺丝”图标上。



#### 锤钻 (GSB 18V-150 C)

将运行模式选择开关(7)调到“锤钻”图标上。

#### 接通/关闭

将电动工具**投入使用**时按压起停开关(17)并按住。

轻按或将起停开关(17)按到底时，LED灯(13)会亮起，在照明状态不佳的环境中可以借此照亮操作位置。

**关闭**电动工具时，请松开起停开关(17)。

#### 调整转速

根据按压起停开关(17)的程度，可以无级调节已接通的电动工具的转速。

轻按起停开关(17)，转速低。逐渐在开关上加压，转速也会跟着提高。

#### 预选扭矩（适用于旋螺栓工作模式）

用扭矩预选调节环(6)可在25个档位中预选所需的扭矩。一旦达到设置的扭矩，工具刀头就会停下。

#### 机械式选档

▶ **只能在电动工具静止时操纵选档开关(8)。**

##### 第1档：

低转速范围；适用于钻孔直径较大时或拧螺丝时。

##### 第2档：

高转速范围；适用钻孔直径较小时。

▶ **始终将档位选择开关推至极限位置。** 否则可能会损坏电动工具。

#### 快速关断功能 (KickBack Control)



**快速关断功能 (KickBack Control) 让用户能更好地控制电动工具，这样与不带KickBack Control的电动工具相比，能更好地保护用户。在电动工具的钻轴突然意外旋转时，自动关闭电动工具。**

快速关断功能通过闪光的LED灯(22)、闪烁的工作灯(13)以及电动工具上闪红光的KickBack Control LED灯(23)进行显示。

如要**重新使用工具**，松开电源开关，然后再次按压。

▶ **如果KickBack Control功能损坏，则无法接通电动工具。仅允许由具备资质的专业人员使用原装备件修理电动工具。**

快速关断功能可以通过用户界面(14)上的按键(24)停用。如果电动工具不使用的时长大于5分钟或将充电电池取出，则快速关断功能再次自动接通。通过用户界面(14)上的KickBack Control LED灯(23)显示当前状态。

请注意，警告灯并非在所有方向上均可见。强烈的阳光下很难看到警告灯。

#### Electronic Angle Detection (EAD) (电子角度检测装置)

通过电子角度检测装置 (EAD) 可以预选电动工具在作业时识别并向用户显示的倾角。这样就可以比如在斜面上垂直地钻孔或拧螺丝。电子角度检测装置 (EAD) 通过用户界面(14)进行控制。

在用户界面(14)上选择一个角度（45度、60度，用户自定义）。**提示：**在出厂设置中，用户定义的角度为90度。该角度可以通过博世应用程序调整。调整角度时，请多次按压电子角度检测装置

(EAD) 上的按键(20)，直至所需倾角的LED灯(21)开始闪烁。



除了所需倾角的LED灯(21)外，电子角度检测装置(EAD)的LED灯(9)也开始闪黄光。现在将电动工具放在所需的表面上，并尽可能保持不动。**提示：**如果电动工具在启动过程中没有保持静止，则启动过程会在10秒钟后自动结束，并恢复到上次设定的数值。

该电动工具在定位后开始执行启动过程。在启动过程中学习所需的表面。如果电子角度检测装置(EAD)的LED灯(9)亮起绿光约1秒钟，然后熄灭，且倾角LED灯(21)长亮，则表示启动过程已完成。

将电动工具从表面上移开。将电动工具以所需的倾角对准学习的表面。如果倾角在预设倾角的 $\pm 10^\circ$ 范围内，则LED灯(22)亮黄光。

当达到相对于预设倾角的 $\pm 3^\circ$ 度倾角时，LED灯(9)亮起绿光。如要退出电子角度检测(EAD)，请长时间按住电子角度检测装置(EAD)按键(20)，直至不再有角度选择LED灯(21)亮起(45度 $\rightarrow$ 60度 $\rightarrow$ 用户自定义 $\rightarrow$ 关闭)。即使更换电池或从睡眠模式再次唤醒电动工具，设定的角度和参考表面也会保留。

#### 用户界面 (参见插图D)

用户界面(14)用于在电子角度检测(EAD)框架内调整和检测倾角，用于停用快速关闭功能(KickBack Control)以及显示电动工具的状态。

### 状态显示

电动工具状态指示灯 (22)	含义/原因	解决方案
绿色	状态正常	-
黄色	已达到临界温度或充电电池的电量几乎耗尽或KickBack Control已关闭	让电动工具空转、冷却、更换或尽快为充电电池充电或按压KickBack按键
亮红光	电动工具过热或充电电池电量耗尽	让电动工具冷却或更换或为充电电池充电
以红光闪烁	回弹断开功能已触发	关闭电动工具并再次接通
闪蓝光	电动工具已与移动终端设备连接或正在传输设置	-

电动工具状态指示灯(9)	含义/原因
绿色	已达到所选角度，相对于学习的表面公差为 $\pm 3^\circ$ <sup>A)</sup>
黄色	已达到所选角度，相对于学习的表面公差为 $\pm 10^\circ$ <sup>A)</sup>
闪黄光，然后短暂闪绿光	正在学习表面
闪黄光，然后短暂闪红光	初始化过程未正确执行

A) 绝对测量精度可能因不同条件而异(例如，由于螺丝起子头和/或适配器之间的间隙而导致设备与螺丝未对准；所参考表面的平整度等)

### 连接功能

搭配Bluetooth®(蓝牙) Low Energy Module(低能耗模块) GCY 42，为电动工具提供以下连接功能：

- 注册和个性化设置
- 状态检查，警告信息输出
- 通用信息和设置
- 管理

有关蓝牙®Low Energy Module(低能耗模块) GCY 42的信息请见相应的使用说明。

### 工作提示

- ▶ 装入了Bluetooth®(蓝牙)低能耗模块GCY 42的电动工具配有一个无线接口。必须注意本地运行限制，例如在飞机上或医院里。
- ▶ 先关闭电动工具，然后再放置在螺栓上。旋转的工具刀头可能会滑开。

要去除螺丝批嘴或通用批嘴套筒，可以使用辅助工具。

### 腰带夹

使用腰带夹(10)可以把电动工具挂在例如腰带上。不但能够空出双手，而且可随时够到电动工具。

## 维修和服务

### 维护和清洁

- ▶ 在电动工具上进行任何维护的工作(例如维修、更换工具等等)，以及搬运、保存电动工具之前都必须从机器中取出蓄电池。无意间操作开关可能会造成伤害。
- ▶ 电动工具和通气孔必须随时保持清洁，以确保工作效率和工作安全。

### 客户服务和应用咨询

本公司顾客服务处负责回答有关本公司产品的修理、维护和备件的问题。备件的展开图纸和信息也可查看：[www.bosch-pt.com](http://www.bosch-pt.com)  
博世应用咨询团队乐于就我们的产品及其附件问题提供帮助。

询问和订购备件时，务必提供机器铭牌上标示的10位数物品代码。

#### 中国大陆

博世电动工具（中国）有限公司  
中国 浙江省 杭州市  
滨江区 滨康路567号  
102/1F 服务中心  
邮政编码：310052  
电话：(0571)8887 5566 / 5588  
传真：(0571)8887 6688 x 5566# / 5588#  
电邮：bsc.hz@cn.bosch.com  
www.bosch-pt.com.cn

#### 制造商地址：

Robert Bosch Power Tools GmbH  
罗伯特·博世电动工具有限公司  
70538 Stuttgart / GERMANY  
70538 斯图加特 / 德国

#### 其他服务地址请见：

www.bosch-pt.com/serviceaddresses

#### 搬运

随着机器一起供货的锂离子充电电池必须符合危险物品法规。使用者无须另外使用保护包装便可以运送该充电电池。

但是如果将它交由第三者运送（例如：寄空运或委托运输公司）则要使用特殊的包装和标示。此时必须向危险物品专家请教有关寄送危险物品的相关事宜。

确定充电电池的外壳未受损后，才可以寄送充电电池。粘好未加盖的触点并包装好充电电池，不可以让充电电池在包装中晃动。必要时也得注意各国的法规。

#### 处理废弃物



必须以符合环保的方式，回收再利用损坏的电动工具、充电电池、附件和废弃的包装材料。



不可以把电动工具和充电电池/蓄电池丢入一般的家庭垃圾中！

#### 充电电池/电池：

##### 锂离子：

请注意“搬运”段落中的指示（参见“搬运”，页 56）确认设置。

#### 产品中有害物质的名称及含量

部件名称	有害物质					
	铅 (Pb)	汞 (Hg)	镉 (Cd)	六价铬 (Cr <sup>+6</sup> )	多溴联苯 (PBB)	多溴二苯醚 (PBDE)
外壳的金属部分	○	○	○	○	○	○
外壳的非金属部分	○	○	○	○	○	○
机械传动机构	X	○	○	○	○	○
电机组件	X	○	○	○	○	○
控制组件	X	○	○	○	○	○
附件	○	○	○	○	○	○
配件	○	○	○	○	○	○
连接件	X	○	○	○	○	○
电源线* ①	○	○	○	○	○	○
电池系统* ②	X	○	○	○	○	○

本表格依据SJ/T11364的规定编制。

○：表示该有害物质在该部件所有均质材料中的含量均在GB/T 26572规定的限量要求以下。

X：表示该有害物质至少在该部件的某一均质材料中的含量超出GB/T 26572规定的限量要求。且目前业界没有成熟的替代方案，符合欧盟RoHS指令环保要求。

① 适用于采用电源线连接供电的产品。

② 适用于采用充电电池供电的产品。

产品环保使用期限内的使用条件参见产品说明书。

## 繁體中文

### 安全注意事項

#### 電動工具一般安全注意事項

**警告** 請詳讀工作臺及電動工具的所有安全警告與使用說明。若不遵照以下列出的指示，將可能導致電擊、著火和/或人員重傷。

保存所有警告和說明書以備查閱。

在所有警告中，「電動工具」此一名詞泛指：以市電驅動的（有線）電動工具或是以電池驅動的（無線）電動工具。

#### 工作場地的安全

- ▶ 保持工作場地清潔和明亮。混亂和黑暗的場地會引發事故。
- ▶ 不要在易爆環境，如有易燃液體、氣體或粉塵的環境下操作電動工具。電動工具產生的火花會點燃粉塵或氣體。
- ▶ 讓兒童和旁觀者離開後操作電動工具。注意力不集中會使您失去對工具的控制。

#### 電氣安全

- ▶ 電動工具插頭必須與插座相配。絕不能以任何方式改裝插頭。需接地的電動工具不能使用任何轉換插頭。未經改裝的插頭和相配的插座將減少電擊危險。
- ▶ 避免人體接觸接地表面，如管道、散熱片和冰箱。如果您身體接地會增加電擊危險。
- ▶ 不得將電動工具暴露在雨中或潮濕環境中。水進入電動工具將增加電擊危險。
- ▶ 不得濫用電線。絕不能用電線搬運、拉動電動工具或拔出其插頭。使電線遠離熱源、油、銳利邊緣或移動零件。受損或纏繞的軟線會增加電擊危險。
- ▶ 當在戶外使用電動工具時，使用適合戶外使用的延長線。適合戶外使用的軟線，將減少電擊危險。
- ▶ 如果在潮濕環境下操作電動工具是不可能的，應使用剩餘電流動作保護器（RCD）。使用RCD可降低電擊危險。

#### 人身安全

- ▶ 保持警覺，當操作電動工具時關注所從事的操作並保持清醒。當您感到疲倦，或在有藥物、酒精或治療反應時，不要操作電動工具。在操作電動工具時瞬間的疏忽會導致嚴重人身傷害。
- ▶ 使用個人防護裝置。始終佩戴護目鏡。安全裝置，諸如適當條件下使用防塵面具、防滑安全鞋、安全帽、聽力防護等裝置能減少人身傷害。
- ▶ 防止意外起動。確保開關在連接電源和/或電池盒、拿起或搬運工具時處於關閉位置。手指放在已接通電源的開關上或開關處於接通時插入插頭可能會導致危險。

- ▶ 在電動工具接通之前，拿掉所有調節鑰匙或扳手。遺留在電動工具旋轉零件上的扳手或鑰匙會導致人身傷害。
- ▶ 手不要伸展得太長。時刻注意立足點和身體平衡。這樣在意外情況下能很好地控制電動工具。
- ▶ 著裝適當。不要穿寬鬆衣服或佩戴飾品。讓您的衣物及頭髮遠離運動部件。寬鬆衣服、佩飾或長髮可能會捲入運動部件中。
- ▶ 如果提供了與排屑、集塵設備連接用的裝置，要確保他們連接完好且使用得當。使用這些裝置可減少塵屑引起的危險。
- ▶ 切勿因經常使用工具所累積的熟練感而過度自信，輕忽工具的安全守則。任何一個魯莽的舉動都可能瞬間造成人員重傷。

#### 電動工具使用和注意事項

- ▶ 不要濫用電動工具，根據用途使用適當的電動工具。選用適當設計的電動工具會使您工作更有效、更安全。
- ▶ 如果開關不能開啟或關閉工具電源，則不能使用該電動工具。不能用開關來控制的電動工具是危險的且必須進行修理。
- ▶ 在進行任何調整、更換配件或貯存電動工具之前，必須從電源上拔掉插頭並/或取出電池盒。這種防護性措施將減少工具意外起動的危險。
- ▶ 將閒置不用的電動工具貯存在兒童所及範圍之外，並且不要讓不熟悉電動工具或對這些說明不瞭解的人操作電動工具。電動工具在未經培訓的用戶手中是危險的。
- ▶ 保養電動工具與配備。檢查運動件是否調整到位或卡住，檢查零件破損情況和影響電動工具運行的其他狀況。如有損壞，電動工具應在使用前修理好。許多事故由維護不良的電動工具引發。
- ▶ 保持切削刀具鋒利和清潔。保養良好的有鋒利切削刃的刀具不易卡住而且容易控制。
- ▶ 按照使用說明書，考慮作業條件和進行的作業來使用電動工具、配件和工具的刀頭等。將電動工具用於那些與其用途不符的操作可能會導致危險。
- ▶ 把手及握持區應保持乾燥、潔淨，且不得沾染任何油液或油脂。易滑脫的把手及握持區將無法讓您在發生意外狀況時安全地抓緊並控制工具。

#### 電池式工具使用和注意事項

- ▶ 只用製造商規定的充電器充電。將適用於某種電池盒的充電器用到其他電池盒時會發生著火危險。
- ▶ 只有在配有專用電池盒的情況下才使用電動工具。使用其他電池盒會發生損壞和著火危險。
- ▶ 當電池盒不用時，將它遠離其他金屬物體，例如回形針、硬幣、鑰匙、釘子、螺絲或其他小金屬物體，以防一端與另一端連接。電池端部短路會引起燃燒或火災。
- ▶ 在濫用條件下，液體會從電池中濺出；避免接觸。如果意外碰到了，用水沖洗。如果液體碰到了眼睛，還要尋求醫療幫助。從電池中濺出的液體會發生腐蝕或燃燒。

- ▶ 請勿使用已受損或經改裝的電池盒。已受損或經改裝的電池組可能出現無法預期的反應，進而導致著火、爆炸或造成人員受傷。
- ▶ 勿讓電池盒或工具靠近火源或暴露於異常溫度環境中。若是靠近火源或暴露在超過130 °C的環境中可能造成爆炸。
- ▶ 請完全遵照所有的充電說明，電池盒或工具的溫度若是超出指示的規定範圍，請勿進行充電。不當充電或是未在規定的溫度範圍內進行充電，皆可能造成電池損壞並面臨更高的著火風險。

#### 檢修

- ▶ 將您的電動工具送交專業維修人員，必須使用同樣的備件進行更換。這樣將確保所維修的電動工具的安全性。
- ▶ 請勿自行檢修受損的電池盒。電池組應交由製造商或是獲得授權的服務供應商來進行檢修。

### 電鑽和起子機的安全注意事項

#### 所有作業的安全說明

- ▶ 鑽孔時請戴上耳罩。暴露在噪音下會造成聽力喪失。
- ▶ 使用輔助握把。失去控制可能會造成人員受傷。
- ▶ 進行作業時，負責進行切割的配件或固定釘可能會碰觸到隱藏的配線，請從絕緣握把處拿持電動工具。負責進行切割的配件或固定釘若是觸及「導電」電線，可能導致電動工具外露的金屬部件「導電」，進而使操作人員遭受電擊。

#### 使用長鑽頭的安全說明

- ▶ 切勿以超過鑽頭額定最高轉速的速度操作。若鑽頭未接觸工件且以超過最高轉速的速度無負載轉動，可能會讓鑽頭彎曲並導致人員受傷。
- ▶ 請務必以低速啟動並將鑽尖確實抵住工件。若鑽頭未接觸工件且以超過最高轉速的速度無負載轉動，可能會讓鑽頭彎曲並導致人員受傷。
- ▶ 請沿著鑽頭方向施加適當的壓力，切勿過度施壓。鑽頭可能會彎曲並造成斷裂、失控並導致人員受傷。

#### 其他安全注意事項

- ▶ 請牢牢握緊電動工具。旋緊與鬆開螺栓時，瞬間可能有較大的反作用力。
- ▶ 固定好工件。使用固定裝置或老虎鉗固定工件，會比用手持握工件更牢固。
- ▶ 使用合適的偵測裝置偵察隱藏的電線，或者向當地的相關單位尋求支援。接觸電線可能引起火災並讓操作者觸電。若損壞瓦斯管會引起爆炸。如果水管被刺穿會導致財物損失。
- ▶ 必須等待電動工具完全靜止後才能將它放下。嵌件工具可能卡住而使電動工具失控。
- ▶ 如果充電電池損壞了，或者未按照規定使用充電電池，充電電池中會散發出有毒蒸氣。充電電池可能起火或爆炸。工作場所必須保持空氣流通，如果身體有任何不適必須馬上就醫。充電電池散發的蒸氣會刺激呼吸道。
- ▶ 切勿拆開充電電池。可能造成短路。

- ▶ 尖銳物品（例如釘子或螺絲起子）或是外力皆有可能造成充電電池損壞。進而導致內部短路而發生電池起火、冒煙、爆炸或過熱等事故。
- ▶ 僅可使用產品的原廠充電電池。如此才可依照產品提供過載保護。



保護充電電池免受高溫（例如長期日照）、火焰、污垢、水液和濕氣的侵害。有爆炸及短路之虞。



- ▶ 如果嵌件工具被夾住了，請立刻關閉電動工具的電源。請準備好承受反作用力所造成的反彈。電動工具過載時或當它在進行加工的工件內部歪斜時，都會造成嵌件工具被夾住不動。
- ▶ 小心！使用電動工具時若開啟 Bluetooth® 功能，將可能對其他裝置或設備、飛機以及醫療器材（例如心律調節器、助聽器等）產生干擾。同樣亦無法完全排除對鄰近之人員或動物造成身體危害的可能性。請勿在醫療器材、加油站、化學設備、爆炸危險場所以及易爆環境等處附近，使用電動工具的 Bluetooth® 功能。請勿在飛機上使用電動工具的 Bluetooth® 功能。應避免直接貼靠在身體部位旁的長時間持續操作。

Bluetooth® 一詞及其標誌（商標）為 Bluetooth SIG, Inc. 所擁有之註冊商標。Robert Bosch Power Tools GmbH 對於此詞彙／標誌之任何使用均已取得授權。

### 產品和功率描述



請詳讀所有安全注意事項和指示。如未遵守安全注意事項與指示，可能導致火災、人員遭受電擊及／或重傷。  
請留意操作說明書中最前面的圖示。

#### 依規定使用機器

此電動工具可用來轉入或旋鬆螺絲，並且可在木材、金屬、混凝土及塑膠等材質上進行鑽孔。此外，GSB 還可在磚塊、砌牆和石材上進行衝擊鑽孔。

電動工具若有搭載 Bluetooth® Low Energy Module **GCY 42**，即可透過 Bluetooth® 無線技術，與終端行動裝置傳輸資料和設定。

#### 插圖上的機件

機件的編號和電動工具詳解圖上的編號一致。

- (1) 工具夾座
- (2) 快速夾頭
- (3) 限深擋塊
- (4) 輔助手柄（絕緣握柄）
- (5) 用來調整限深擋塊的蝶翼螺絲
- (6) 預設扭力調整環
- (7) 操作模式選擇開關
- (8) 選檔開關
- (9) 電子角度檢測 LED (EAD)
- (10) 腰帶夾

- (11) 充電電池
  - (12) 充電電池的解鎖按鈕
  - (13) 工作燈 (使用者介面)
  - (14) 使用者介面
  - (15) 工具頭夾持器<sup>a)</sup>
  - (16) 正逆轉開關
  - (17) 起停開關
  - (18) 把手 (絕緣握柄)
  - (19) *Bluetooth*<sup>®</sup> Low Energy Module 的護蓋 **GCY 42**
  - (20) 電子角度檢測 (EAD) 按鈕 (使用者介面)
  - (21) 預設傾角電子角度檢測 (EAD) 用 LED (使用者介面)
  - (22) 電動工具 LED (使用者介面)
  - (23) KickBack Control LED (使用者介面)
  - (24) KickBack Control 按鈕 (使用者介面)
  - (25) 輔助手柄的訂購編號 1 602 025 07Y
- a) 圖表或說明上提到的配件，並不包含在基本的供貨範圍中。本公司的配件清單中有完整的配件供應項目。

## 技術性數據

充電式電鑽起子機		GSR 18V-150 C	GSB 18V-150 C
產品機號		<b>3 601 JJ5 0..</b>	<b>3 601 JJ5 1..</b>
額定電壓	V=	18	18
無負載轉速 <sup>A)</sup>			
- 1 檔	次 / 分	0-550	0-550
- 2 檔	次 / 分	0-2 200	0-2 200
衝擊次數 <sup>A)</sup>	次 / 分	-	0-30 000
根據 ISO 5393 (2017)，硬/軟材料鎖螺絲的扭力 <sup>A)</sup>	Nm	100/84	100/84
最大扭力 <sup>A)</sup>	Nm	150	150
最大鑽孔直徑			
- 木材	mm	150	150
- 鋼材	mm	16	16
- 砌牆	mm	-	20
工具夾座		1.5-13	1.5-13
最大螺栓直徑	mm	13	13
重量符合 EPTA-Procedure 01:2014 <sup>B)</sup>	kg	2.4-3.5	2.5-3.6
充電狀態下的建議環境溫度	°C	0 ... +35	0 ... +35
操作狀態下以及存放狀態下的容許環境溫度	°C	-20 ... +50	-20 ... +50
相容的充電電池		GBA 18V... ProCORE18V...	GBA 18V... ProCORE18V...
為確保最大效能而建議使用的充電電池		ProCORE18V... ≥ 5.5 Ah	ProCORE18V... ≥ 5.5 Ah
建議使用的充電器		GAL 18... GAX 18... GAL 36...	GAL 18... GAX 18... GAL 36...

A) 於 20-25 °C 配備充電電池 **ProCORE18V 8.0Ah** 時測得。

B) 以 **GBA 18V 1.5Ah** 和 **GBA 18V 12.0Ah** 測量所得。

## 安裝

- ▶ 在電動工具上進行任何維護的工作 (例如維修，更換工具等) 以及搬運和儲存電動工具之前，都必須電動工具中取出充電電池。若是不小心觸動起停開關，可能造成人員受傷。

## 安裝 *Bluetooth*<sup>®</sup> Low Energy Module **GCY 42**

如需 *Bluetooth*<sup>®</sup> Low Energy Module **GCY 42** 的相關資訊，請詳讀其操作說明書。

### 為充電電池進行充電

- ▶ 只能選用技術性數據裡所列出的充電器。僅有這些充電器適用於電動工具所使用的鋰離子充電電池。



**提示：**出貨時充電電池已部分充電。首度使用電動工具之前，請先用充電器將充電電池充飽電以確保充電電池蓄滿電力。

鋰離子充電電池可隨時充電，不會縮短電池的使用壽命。如果突然中斷充電，電池也不會損壞。

鋰離子充電電池配備了電池保護裝置「Electronic Cell Protection (ECP)」，可以防止充電電池過度放電。充電電池的電量如果用盡了，保護開關會自動關閉電動工具；嵌件工具會停止轉動。

▶ **電動工具自動關機後，請勿再按壓電源開關。**否則充電電池可能會損壞。

請您遵照廢棄物處理相關指示。



### 取出充電電池

本充電電池 (11) 具備了雙重鎖定功能，即使不小心按壓了充電電池解鎖按鈕 (12)，充電電池也不會從機器中掉落出來。固定彈簧會把充電電池夾緊在機器中。

若要取出充電電池 (11)，請按壓解鎖按鈕 (12)，然後將充電電池抽出電動工具。**不可以強行拉出充電電池。**

### 充電電池的電量指示器

充電電池的電量指示器透過綠色 LED 燈告知充電電池的目前電量。基於安全顧慮，務必在電動工具完全靜止時才能檢查充電電池的電量。

按一下電量指示器按鈕  或 ，即可顯示目前的電量。即使已取出充電電池，此項功能仍可正常運作。

按壓電量顯示按鈕後，LED 燈若未亮起，即表示充電電池故障，必須予以更換。

**提示：**充電電池目前的電量也會顯示在使用者介面 (14)。(參見「顯示目前狀態」，頁 62)。

### 充電電池型號 GBA 18V...



LED 燈	容量
3 顆綠燈持續亮起	60-100 %
2 顆綠燈持續亮起	30-60 %
1 顆綠燈持續亮起	5-30 %
1 顆綠燈呈閃爍狀態	0-5 %

### 充電電池型號 ProCORE18V...



LED 燈	容量
5 顆綠燈持續亮起	80-100 %
4 顆綠燈持續亮起	60-80 %
3 顆綠燈持續亮起	40-60 %
2 顆綠燈持續亮起	20-40 %
1 顆綠燈持續亮起	5-20 %

LED 燈	容量
1 顆綠燈呈閃爍狀態	0-5 %

### 輔助手柄

▶ **操作電動工具時務必使用輔助手柄(4)。**

本電動工具僅可搭配訂購編號 1 602 025 07Y 的輔助手柄使用。

▶ **在進行任何作業之前，請務必先確認輔助手柄已旋緊固定。**失控時可能導致人員受傷。請注意須以所用固定方式以適當扭力旋緊輔助手柄，將其固定在電動工具上，使輔助手柄在鑽孔軸的圓向或直向皆無法移動。

### 安裝輔助手柄

要打開輔助手柄，請以逆時針方向旋轉輔助手柄 (4) 的下方握把處。

向後拉動輔助手柄的中間件 並將其維持在此位置。將輔助手柄推過夾頭，以便將輔助手柄固定至電動工具上。

然後鬆開中間件。

然後再順時針旋轉輔助手柄 (4) 的下方握把處，將它重新鎖緊。

### 翻轉輔助手柄

輔助手柄 (4) 可隨意翻轉，以便採取一個穩固而不容易感到疲勞的工作姿勢。

逆時針旋轉輔助手柄 (4) 的下方握把處，以便將輔助手柄 (4) 轉至所需位置。然後再順時針旋轉輔助手柄 (4) 的下方握把處，將它重新鎖緊。

### 調整鑽孔深度

您可利用限深擋塊 (3) 設定所需鑽孔深度 X。

請鬆開用來調整限深擋塊的蝶翼螺絲 (5) 然後將限深擋塊安裝到輔助手柄 (4) 上。

將限深擋塊 (3) 拉出至鑽頭尖端與限深擋塊尖端 (3) 之間的距離等於所需的鑽孔深度 X。

將用來調整限深擋塊的蝶翼螺絲 (5) 重新鎖緊。

### 更換工具 (請參考圖 A)

▶ **在電動工具上進行任何維護的工作 (例如維修，更換工具等) 以及搬運和儲存電動工具之前，都必須電動工具中取出充電電池。**若是不小心觸動起停開關，可能造成人員受傷。

未按下起停開關 (17) 時，工具機轉軸將固定鎖死。因此能夠簡便、快速地更換夾頭上的工具。

往旋轉方向 ① 轉動，將快速夾頭 (2) 打開至能夠裝入工具為止。裝入工具。

往旋轉方向 ② 徒手用力轉緊快速夾頭 (2) 的套筒。這樣做夾頭才會自動上鎖。

### 吸除廢塵/料屑

含鉛的顏料及部分木材、礦物和金屬的加工廢塵有害健康。機器操作者或者工地附近的人如果接觸、吸入這些廢塵，可能會有過敏反應或者感染呼吸道疾病。

特定粉塵 (例如加工橡木或山毛櫸的廢塵) 可能致癌，特別是與處理木材的添加劑 (例如木材的防腐

劑等) 混合之後。只有經過專業訓練的人才允許加工含石棉的物料。

- 工作場所要保持空氣流通。
  - 建議佩戴 P2 濾網等級的口罩。
- 請留意並遵守貴國與加工物料有關的法規。

▶ **避免讓工作場所堆積過多的塵垢。**塵埃容易被點燃。

## 操作

### 操作機器

#### 安裝充電電池

**提示：**若是使用非本電動工具適用的充電電池，可能導致電動工具功能異常或損壞。

將正逆轉開關 (16) 調至中間位置，以防止電動工具意外啟動。將已充飽電的充電電池 (11) 放入把手內，直到感覺到它卡上並與把手貼齊。

#### 設定旋轉方向 (請參考圖 B)

透過正逆轉開關 (16) 即可變更電動工具的旋轉方向。但按下起停開關 (17) 時，將無法這樣做。

🔄 **正轉：**將兩邊的正逆轉開關 (16) 都推到底位置，對準位置 ←。

🔄 **逆轉：**將兩邊的正逆轉開關 (16) 都推到底位置，對準位置 →。

#### 設定操作模式



##### 鑽孔

將操作模式選擇開關 (7) 調至「鑽孔」符號。



##### 拆裝螺柱

將操作模式選擇開關 (7) 調至「螺柱」符號。



##### 衝擊鑽孔 (GSB 18V-150 C)

將操作模式選擇開關 (7) 調至「衝擊鑽孔」符號。

#### 啟動/關閉

按下電源開關 (17) 不要放開，即可讓電動工具**持續**運轉。

輕按起停開關 (17) 或完全按下時，LED (13) 隨即亮起，可照亮光線不足的工作區域。

放開起停開關 (17)，即可讓電動工具**停止**運轉。

#### 調整轉速

您可為已啟動的電動工具無段調控轉速，轉速是由按壓起停開關 (17) 的深度而定。

輕按起停開關 (17) 時，轉速較低。逐漸在開關上加壓，轉速也會跟著提高。

#### 預設扭力 (適用於螺柱操作模式)

預設扭力調整環 (6) 總共提供 25 段不同的扭力選擇，您可利用它來預設所需扭力。一達到所設扭力後，嵌件工具隨即停止運轉。

#### 機械式選檔

▶ **電動工具靜止時**，才能操作選檔開關 (8)。

##### 1 檔：

低轉速範圍；適用於鑽大孔時或拆裝螺柱時。

##### 2 檔：

高轉速範圍；適用於鑽小孔時。

▶ **請務必將選檔開關完全推到底。**否則可能造成電動工具損壞。

#### 快關功能 (KickBack Control)



與未配備 KickBack Control 的電動工具相較之下，快關功能 (KickBack Control) 可讓您更容易掌控電動工具，因此操作人員的安全性也就隨之獲得更多保障。電動工具的鑽孔轉軸只要一有非預期性的突發旋轉動作，將立即停機。

在電動工具上會以紅色 LED (22) 閃爍、工作燈快閃 (13) 以及亮起紅色的 KickBack Control LED (23) 來顯示快關功能。

此時若想繼續操作，則須先將起停開關放開後再重新按壓。

▶ **當 KickBack Control 功能故障時，不得再開啟電動工具。**本電動工具僅可交由合格的專業技師以原廠替換零件進行維修。

可在使用者介面 (14) 上以按鈕 (24) 停用快關功能。當電動工具超過 5 分鐘未使用，或充電電池被取下時，快關功能將自動重新啟動。透過使用者介面 (14) 上的 KickBack Control LED (23) 可得知目前狀態。

請注意，並非從所有方向都能看到警示燈。在強烈的陽光下很難看到警示燈。

#### Electronic Angle Detection (EAD) (電子角度檢測)

使用電子角度檢測 (EAD) 可預先選擇傾斜角度，電動工具可以在作業時辨識該傾斜角度並向使用者顯示。如此便能在傾斜表面上以直角鑽孔或旋緊螺絲。電子角度檢測 (EAD) 透過使用者介面 (14) 操控。

在使用者介面 (14) 上選擇一個角度 (45°、60°、使用者自訂)。提示：原廠設定的使用者自訂角度為 90°。這可透過 Bosch-App 進行調整。

為調整角度，反覆按壓電子角度檢測 (EAD) 按鈕 (20)，直到所需傾斜角的 LED (21) 開始閃爍。

除了所需傾斜角度的 LED (21) 外，電子角度檢測 (EAD) 的 LED (9) 也開始閃爍黃色。現在將電動工具定位至所需表面上，並儘量維持穩定。提示：若電動工具在初始化過程中無法保持穩定，則初始化過程在 10 秒鐘後自動結束，並恢復為上一次的設定值。

電動工具在定位後開始初始化過程。在初始化過程期間，將偵測學習所需的作業表面。當電子角度檢測 (EAD) 的 LED (9) 亮起綠色約 1 秒鐘後熄滅，並且傾斜角度的 LED (21) 持續亮起時，即代表初始化過程完成。

將電動工具從作業表面移開。將電動工具以所需的傾斜角度對準已偵測學習的作業表面。當傾斜角度



位於預設角度的  $\pm 10^\circ$  範圍時，LED (22) 亮起黃色。

當傾斜角度達到預設角度的  $\pm 3^\circ$  時，LED (9) 亮起綠色。如要結束電子角度檢測 (EAD)，按住電子角度檢測 (EAD) 按鈕 (20) 不放，直到角度選擇 LED (21) 全部熄滅 ( $45^\circ \rightarrow 60^\circ \rightarrow$  使用者自訂  $\rightarrow$

關閉)。即使在更換充電電池或電動工具從休眠模式重新喚起時，也仍保留已設定的角度與基準面。

#### 使用者介面 (請參考圖 D)

使用者介面 (14) 用於設定和檢查電子角度檢測 (EAD) 的傾斜角度、關閉快關功能 (KickBack Control)，以及用於電動工具的狀態顯示。

#### 顯示目前狀態

電動工具的狀態顯示 (22)	代表意義/原因	解決辦法
綠色	正常狀態	-
黃色	已達到臨界溫度、充電電池的電量即將用盡或 KickBack Control 已關閉	讓電動工具空轉並降溫冷卻、儘快更換充電電池或為其充電、或按下 KickBack 按鈕
亮起紅燈	電動工具過熱或充電電池的電量耗盡	讓電動工具降溫冷卻，或是更換充電電池或為其充電
紅色閃爍	已觸發反彈斷電功能	關閉並再次啟動電動工具
藍色閃爍	電動工具已與行動終端裝置連線，或正在傳輸設定	-

電動工具的狀態顯示 (9)	代表意義/原因
綠色	選定角度與已偵測學習的作業表面已達 $\pm 3^\circ$ 容許範圍 <sup>A)</sup>
黃色	選定角度與已偵測學習的作業表面已達 $\pm 10^\circ$ 容許範圍 <sup>A)</sup>
閃爍黃色，然後短暫亮起綠色	作業表面已偵測學習
閃爍黃色，然後短暫亮起黃色	未正確進行初始化過程

A) 絕對測量準確度可能因不同條件而異 (例如，由於螺絲起子頭和/或轉接頭之間間隙而導致電器與螺絲未對準、參考表面的平整度等...)

#### 連線後支援的功能

搭配使用藍牙® Low Energy Module GCY 42 時，電動工具連線後支援以下功能：

- 註冊及植入個人化設置
- 狀態檢測、發送警告訊息
- 提供一般資訊、設定工具
- 管理

如需 Bluetooth® Low Energy Module GCY 42 的相關資訊，請詳讀其操作說明書。

#### 作業注意事項

▶ 搭載 Bluetooth® Low Energy Module GCY 42 的電動工具配備無線介面。請您務必遵守不同場所的使用限制條件，例如在飛機或醫院內。

▶ 電動工具應先停止運轉，然後才放到螺絲上。轉動中的嵌件工具可能會滑開。

拆卸螺絲起子工具頭或工具頭夾持器時，可使用輔助工具。

#### 腰帶夾

使用腰帶夾 (10) 即可把電動工具掛在腰帶上。如此不但能夠空出雙手而且電動工具亦隨手可及。

## 維修和服務

### 維修和清潔

- ▶ 在電動工具上進行任何維護的工作 (例如維修，更換工具等) 以及搬運和儲存電動工具之前，都必須從電動工具中取出充電電池。若是不小心觸動起停開關，可能造成人員受傷。
- ▶ 電動工具和通風口都必須保持清潔，這樣才能夠提高工作品質和安全性。

### 顧客服務處和顧客諮詢中心

本公司顧客服務處負責回答有關本公司產品的維修、維護和備用零件的問題。以下的網頁中有分解圖和備用零件相關資料：[www.bosch-pt.com](http://www.bosch-pt.com) 如果對本公司產品及其配件有任何疑問，博世應用諮詢小組很樂意為您提供協助。

當您需要諮詢或訂購備用零件時，請務必提供本產品型號銘牌上 10 位數的產品機號。

#### 台灣

台灣羅伯特博世股份有限公司

建國北路一段90號6樓

台北市10491

電話: (02) 7734 2588

傳真: (02) 2516 1176

[www.bosch-pt.com.tw](http://www.bosch-pt.com.tw)

**制造商地址:**

Robert Bosch Power Tools GmbH  
 羅伯特·博世電動工具有限公司  
 70538 Stuttgart / GERMANY  
 70538 斯圖加特/ 德國

**以下更多客戶服務處地址:**

www.bosch-pt.com/serviceaddresses

**搬運**

隨貨附上的鋰離子充電電池受危險物品法的規範。使用者無須另外使用保護包裝便可運送該充電電池。

但是如果將它交由第三者運送 (例如: 寄空運或委託運輸公司), 則應遵照包裝與標示的相關要求。此時必須向危險物品專家請教有關寄送危險物品的相關事宜。

確定充電電池的外殼未受損後, 才可以寄送充電電池。用膠帶貼住裸露的接點並妥善包裝充電電池, 不可以讓充電電池在包裝材料中晃動。同時也應留意各國相關法規。

**廢棄物處理**

必須以符合環保的方式, 將損壞的電動工具、充電電池、配件和包裝材料進行回收再利用。



不可以把電動工具和充電電池/拋棄式電池丟入一般家庭垃圾中!

**充電電池/拋棄式電池:****鋰離子:**

請注意「搬運」段落中的指示 (參見「搬運」, 頁 63)。

**ไทย****คำเตือนเพื่อความปลอดภัย****คำเตือนเพื่อความปลอดภัยทั่วไปสำหรับเครื่องมือไฟฟ้า****คำเตือน**

อ่านคำเตือนเพื่อความปลอดภัย คำแนะนำ ภาพประกอบ และข้อมูล

จำเพาะทั้งหมดที่จัดส่งมาพร้อมกับเครื่องมือไฟฟ้า

การไม่ปฏิบัติตามคำแนะนำทั้งหมดที่ระบุไว้ด้านล่างนี้อาจทำให้ถูกไฟฟ้าดูด เกิดไฟไหม้ และ/หรือได้รับบาดเจ็บอย่างร้ายแรง

การไม่ปฏิบัติตามคำแนะนำทั้งหมดที่ระบุไว้ด้านล่างนี้อาจทำให้ถูกไฟฟ้าดูด เกิดไฟไหม้ และ/หรือได้รับบาดเจ็บอย่างร้ายแรง

**เก็บรักษา ค่าเตือน และ คำสั่ง ทั้งหมด สำหรับ เปิดอ่าน ใน ภาย หลัง**

คำว่า "เครื่องมือไฟฟ้า" ในคำเตือนหมายถึง เครื่องมือไฟฟ้าของทำงานที่ทำงานด้วยพลังงานไฟฟ้าจากแหล่งจ่ายไฟหลัก (มีสายไฟฟ้า) และเครื่องมือไฟฟ้าที่ทำงานด้วยพลังงานไฟฟ้าจากแบตเตอรี่ (ไร้สาย)

**ความปลอดภัยในสถานที่ทำงาน**

- ▶ **รักษาสถานที่ทำงานให้สะอาดและมีไฟส่องสว่างดี** สถานที่ที่มีมืดหรืออครุงรังนำมาซึ่งอุบัติเหตุ
- ▶ **อย่าใช้เครื่องมือไฟฟ้าทำงานในสภาพบรรยากาศที่จุดติดไฟได้ เช่น ในที่ที่มีของเหลวไวไฟ ก๊าซ หรือฝุ่น** เมื่อใช้เครื่องมือไฟฟ้าจะเกิดประกายไฟซึ่งอาจจุดฝุ่นหรือไอให้ลุกเป็นไฟได้
- ▶ **ขณะใช้เครื่องมือไฟฟ้าทำงาน ต้องกั้นเด็กและผู้ยืนดูให้ออกห่าง** การหันเหความสนใจอาจทำให้ท่านขาดการควบคุมเครื่องมือ

**ความปลอดภัยเกี่ยวกับไฟฟ้า**

- ▶ **ปลั๊กของเครื่องมือไฟฟ้าต้องเหมาะสมกับเต้าเสียบ** อย่าตัดแปลงปลั๊กไม่ว่าในลักษณะใดๆ อย่างเด็ดขาด อย่าใช้ปลั๊กพ่วงต่อใดๆ กับเครื่องมือไฟฟ้าที่มีสายดิน ปลั๊กที่ไม่ตัดแปลงและเต้าเสียบที่เข้ากันช่วยลดความเสี่ยงจากการถูกไฟฟ้าดูด
- ▶ **หลีกเลี่ยงอย่าให้ร่างกายสัมผัสกับพื้นผิวที่ต่อสายดินหรือลงกราวด์ไว้ เช่น ห่อ เครื่องทำความร้อน เต่า และตู้เย็น** จะเสี่ยงอันตรายจากการถูกไฟฟ้าดูดมากขึ้นหากกระแสไฟฟ้าวิ่งผ่านร่างกายของท่านลงดิน
- ▶ **อย่าให้เครื่องมือไฟฟ้าถูกฝนหรืออยู่ในสภาพเปียกชื้น** หากน้ำเข้าในเครื่องมือไฟฟ้า จะเพิ่มความเสี่ยงจากการถูกไฟฟ้าดูด
- ▶ **อย่าใช้สายไฟฟ้าในทางที่ผิด** อย่าใช้สายไฟฟ้าเพื่อยก ดึง หรือถอดปลั๊กเครื่องมือไฟฟ้า กั้นสายไฟฟ้าออกจากความร้อน น้ำมัน ขอบแหลมคม หรือชิ้นส่วนที่เคลื่อนที่ สายไฟฟ้าที่ชำรุดหรือพันกันยุ่งเพิ่มความเสี่ยงจากการถูกไฟฟ้าดูด
- ▶ **เมื่อใช้เครื่องมือไฟฟ้าทำงานกลางแจ้ง ให้ใช้สายไฟต่อที่เหมาะสมสำหรับงานกลางแจ้ง** การใช้สายไฟต่อที่เหมาะสมสำหรับงานกลางแจ้ง การช่วยลดอันตรายจากการถูกไฟฟ้าดูด
- ▶ **หากไม่สามารถหลีกเลี่ยงการใช้เครื่องมือไฟฟ้าทำงานในสถานที่เปียกชื้นได้ ให้ใช้สวิตช์ตัดวงจรเมื่อเกิดการรั่วไหลของไฟฟ้าจากสายดิน (RCD)** การใช้สวิตช์ตัดวงจรเมื่อเกิดการรั่ว

ไหลของไฟฟ้าจากสายดินช่วยลดความเสี่ยงต่อการถูกไฟฟ้าดูด

#### ความปลอดภัยของคุณ

- ▶ **ทำงานอยู่ในสภาพเตรียมพร้อม ระมัดระวังในสิ่งที่ท่านกำลังทำอยู่ และมีสติขณะใช้เครื่องมือไฟฟ้าทำงาน** อย่าใช้เครื่องมือไฟฟ้าขณะที่ท่านกำลังเหนื่อย หรืออยู่ภายใต้การครอบงำของฤทธิ์ของยาเสพติด แอลกอฮอล์ และยา เมื่อใช้เครื่องมือไฟฟ้าทำงานในชั่วโมงที่ท่านขาดความเอาใจใส่อาจทำให้บุคคลบาดเจ็บอย่างรุนแรงได้
  - ▶ **ใช้อุปกรณ์ปกป้องร่างกาย สวมแว่นตาป้องกันเสมอ** อุปกรณ์ปกป้อง เช่น หน้ากากกันฝุ่น รองเท้ากันลื่น หมวกแข็ง หรือประคบหูกันเสียงดังที่ใช้ตามความเหมาะสมกับสภาพการทำงาน จะลดการบาดเจ็บทางร่างกาย
  - ▶ **ป้องกันการติดเครื่องโดยไม่ตั้งใจ ตรวจสอบให้แน่ใจว่าสวิตช์อยู่ในตำแหน่งปิดก่อนเชื่อมต่อเข้ากับแหล่งจ่ายไฟ และ/หรือแบตเตอรี่แพ็ค ยกหรือถือเครื่องมือ การถือเครื่องโดยใช้นิ้วหัวที่สวิตช์ หรือเสียบปลั๊กไฟฟ้าขณะสวิตช์เปิดอยู่ อาจนำไปสู่อุบัติเหตุที่ร้ายแรงได้**
  - ▶ **นำเครื่องมือปรับแต่งหรือประแจปากตายออกก่อนเปิดสวิตช์เครื่องมือไฟฟ้า** เครื่องมือหรือประแจปากตายที่วางอยู่ยกส่วนของเครื่องที่กำลังหมุนจะทำให้บุคคลบาดเจ็บได้
  - ▶ **อย่าเื่อมไกลเกินไป ตั้งทำยี่ห้อที่มั่นคงและวางน้ำหนักให้สมดุลตลอดเวลา** ในลักษณะนี้ท่านสามารถควบคุมเครื่องมือไฟฟ้าในสถานการณ์ที่ไม่คาดคิดได้ดีกว่า
  - ▶ **แต่งกายอย่างเหมาะสม อย่าใส่เสื้อผ้าหลวมหรือสวมเครื่องประดับ** เาหมและเสื้อผ้าออกห่างจากชิ้นส่วนที่เคลื่อนที่ เสื้อผ้าหลวม เครื่องประดับ และผมยาวอาจเข้าไปติดในชิ้นส่วนที่เคลื่อนที่
  - ▶ **หากเครื่องมือไฟฟ้ามีข้อเชื่อมต่อกับเครื่องดูดฝุ่นหรือเครื่องเก็บผง ให้ตรวจสอบให้แน่ใจว่าได้เชื่อมต่อและใช้งานอย่างถูกต้อง** การใช้อุปกรณ์ดูดฝุ่นช่วยลดอันตรายที่เกิดจากฝุ่นได้
  - ▶ **เมื่อใช้งานเครื่องมือบ่อยครั้งจะเกิดความคุ้นเคย** อย่านำความคุ้นเคยที่ท่านเกิดความชะล่าใจและละเลยกฎเกณฑ์ด้านความปลอดภัยในการใช้งานเครื่อง การทำงานอย่างไม่ระมัดระวังอาจทำให้เกิดการบาดเจ็บอย่างร้ายแรงภายในเสี้ยววินาที
- การใช้และการดูแลรักษาเครื่องมือไฟฟ้า**
- ▶ **อย่าฝืนกำลังเครื่องมือไฟฟ้า ใช้เครื่องมือไฟฟ้าที่ถูกต้องตรงตามลักษณะงานของท่าน** เครื่องมือไฟฟ้าที่ถูกต้องจะทำงานได้ดีกว่าและปลอดภัยกว่าในระดับสมรรถภาพที่ออกแบบไว้

- ▶ **อย่าใช้เครื่องมือไฟฟ้าถ้าสวิตช์ไม่สามารถเปิดปิดได้** เครื่องมือไฟฟ้าที่ไม่สามารถควบคุมการเปิดปิดด้วยสวิตช์ได้ เป็นเครื่องมือไฟฟ้าที่ไม่ปลอดภัยและต้องส่งซ่อมแซม
  - ▶ **ก่อนปรับแต่งเครื่อง เปลี่ยนอุปกรณ์ประกอบ หรือเก็บเครื่องเข้าที่ ต้องถอดปลั๊กออกจากแหล่งจ่ายไฟ และ/หรือถอดแบตเตอรี่แพ็คออกจากเครื่องมือไฟฟ้าหากถอดออกได้** มาตรการป้องกันเพื่อความปลอดภัยนี้ช่วยลดความเสี่ยงจากการติดเครื่องโดยไม่ตั้งใจ
  - ▶ **เมื่อเลิกใช้งานเครื่องมือไฟฟ้า ให้เก็บเครื่องไว้ในที่ที่เด็กหยิบไม่ถึง และไม่อนุญาตให้บุคคลที่ไม่คุ้นเคยกับเครื่องหรือบุคคลที่ไม่ได้อ่านคำแนะนำเหล่านี้ใช้เครื่อง** เครื่องมือไฟฟ้าเป็นของอันตรายหากตกอยู่ในมือของผู้ใช้ที่ไม่ได้รับการฝึกฝน
  - ▶ **บำรุงรักษาเครื่องมือไฟฟ้าและอุปกรณ์ประกอบ** ตรวจสอบชิ้นส่วนที่เคลื่อนที่ว่าวางไม่ตรงแนวหรือติดขัดหรือไม่ ตรวจสอบการแตกหักของชิ้นส่วนและสภาพอื่นใดที่อาจมีผลต่อการทำงานของเครื่องมือไฟฟ้า หากชำรุดต้องส่งเครื่องมือไฟฟ้าไปซ่อมแซมก่อนใช้งาน อุบัติเหตุหลายอย่างเกิดขึ้นเนื่องจากดูแลรักษาเครื่องไม่ดีพอ
  - ▶ **รักษาเครื่องมือตัดให้คมและสะอาด** หากบำรุงรักษาเครื่องมือที่มีขอบตัดแหลมคมอย่างถูกต้องจะสามารถตัดได้ลื่นไม่ติดขัดและควบคุมได้ง่ายกว่า
  - ▶ **ใช้เครื่องมือไฟฟ้า อุปกรณ์ประกอบ เครื่องมือ และอุปกรณ์อื่นๆ** ตรงตามคำแนะนำเหล่านี้ โดยคำนึงถึงเงื่อนไขการทำงานและงานที่จะทำ การใช้เครื่องมือไฟฟ้าทำงานที่ต่างไปจากวัตถุประสงค์การใช้งานของเครื่อง อาจนำไปสู่สถานการณ์ที่เป็นอันตรายได้
  - ▶ **ดูแลตามจับและพื้นผิวจับให้แห้ง สะอาด และปราศจากคราบน้ำมันและจาระบี** ตามจับและพื้นผิวจับที่ลื่นทำให้หยิบจับได้ไม่ปลอดภัย และไม่สามารถควบคุมเครื่องมือในสถานการณ์ที่ไม่คาดคิด
- การใช้และการดูแลรักษาเครื่องที่ใช้แบตเตอรี่**
- ▶ **ชาร์จไฟใหม่ด้วยเครื่องชาร์จที่บริษัทผู้ผลิตระบุไว้เท่านั้น** เครื่องชาร์จที่เหมาะสมสำหรับชาร์จแบตเตอรี่แพ็คประเภทหนึ่ง หากนำไปชาร์จแบตเตอรี่แพ็คประเภทอื่น อาจเกิดไฟไหม้ได้
  - ▶ **ใช้เครื่องมือไฟฟ้าเฉพาะกับแบตเตอรี่แพ็คที่กำหนดไว้เท่านั้น** การใช้แบตเตอรี่แพ็คประเภทอื่นเสี่ยงต่อการเกิดไฟไหม้หรือบาดเจ็บ
  - ▶ **เมื่อไม่ใช้งานแบตเตอรี่แพ็ค ให้เก็บไว้ในที่แห้งที่เย็น ไล่อะไรๆ เช่น คลิปหนีบกระดาษ เหรียญ กุญแจ ตะปู**

สกรู หรือวัตถุที่เป็นโลหะขนาดเล็กอื่นๆ ที่สามารถเชื่อมต่อกับขั้วหนึ่งไปยังอีกขั้วหนึ่งได้

การลัดวงจรของขั้วแบตเตอรี่อาจทำให้เกิดการไหม้หรือไฟลุกได้

- ▶ หากใช้แบตเตอรี่อย่างอาจมีของเหลวไหลออกมาจากแบตเตอรี่ได้ ให้หลีกเลี่ยงการสัมผัส หากสัมผัสโดยบังเอิญ ให้ใช้น้ำล้าง หากของเหลวเข้าตา ให้ขอความช่วยเหลือจากแพทย์ด้วย
- ▶ ของเหลวที่ไหลออกมาจากแบตเตอรี่อาจทำให้เกิดอาการคันหรือแสบผิวหนังได้
- ▶ อย่าใช้แบตเตอรี่แพ็คหรือเครื่องมือที่ชาร์จหรือตัดแปลง
- ▶ แบตเตอรี่ที่ชาร์จหรือตัดแปลงอาจแสดงอาการที่ไม่สามารถคาดเดาได้ ส่งผลให้เกิดไฟไหม้ ระเบิด หรือความเสี่ยงต่อการได้รับบาดเจ็บ
- ▶ อย่าใช้แบตเตอรี่แพ็คหรือเครื่องมือสัมผัสไฟหรืออุณหภูมิที่สูงเกินไป หากสัมผัสไฟหรืออุณหภูมิที่สูงกว่า 130 °C อาจทำให้เกิดการระเบิดได้
- ▶ ปฏิบัติตามคำแนะนำเกี่ยวกับกาชาร์จทั้งหมด และต้องไม่ชาร์จแบตเตอรี่แพ็คหรือเครื่องมือ
- ▶ นอกช่วงอุณหภูมิที่กำหนดในคำแนะนำ การชาร์จแบตเตอรี่อย่างไม่ถูกวิธีหรือนอกช่วงอุณหภูมิที่กำหนด อาจทำให้แบตเตอรี่เสียหายและเพิ่มความเสี่ยงต่อการเกิดไฟไหม้

#### การบริการ

- ▶ ส่งเครื่องมือไฟฟ้าของท่านเข้ารับบริการจากช่างซ่อมที่มีคุณสมบัติเหมาะสม โดยใช้อะไหล่ที่เหมือนกันเท่านั้น ในลักษณะนี้ท่านจะแน่ใจได้ว่าเครื่องมือไฟฟ้าอยู่ในสภาพที่ปลอดภัย
- ▶ อย่าบำรุงรักษาแบตเตอรี่แพ็คที่ชาร์จอย่างเด็ดขาด ต้องส่งให้บริษัทผู้ผลิตหรือศูนย์บริการที่ได้ รับอนุญาตทำการบำรุงรักษาแบตเตอรี่แพ็คเท่านั้น

#### คำเตือนเพื่อความปลอดภัยสำหรับส่วนและ ไขควง

##### คำเตือนเพื่อความปลอดภัยสำหรับการทำงานทั้งหมด

- ▶ สวมประภคณ์ป้องกันสิ่งดังเมื่อเจาะกระแทก การรับฟังเสียงดังอาจทำให้สูญเสียการได้ยิน
- ▶ ใช้ตามจับเพิ่มเติม การสูญเสียการควบคุมอาจทำให้บุคคลได้รับบาดเจ็บ
- ▶ เมื่อทำงานในบริเวณที่อุปกรณ์ตัดหรือสกรูอาจสัมผัสสายไฟฟ้าที่ซ่อนอยู่ ต้องจับเครื่องมือไฟฟ้าตรงพื้นผิวจับที่หุ้มฉนวน หากอุปกรณ์ตัดหรือสกรูสัมผัสสายที่ “มีกระแสไฟฟ้า” ไหลผ่านจะทำให้ชิ้นส่วนโลหะที่ไม่มีการ

ป้องกันของเครื่องมือไฟฟ้าเกิด “มีกระแสไฟฟ้า” ด้วย และส่งผลให้ผู้ใช้งานเครื่องถูกไฟฟ้าดูดได้

##### คำเตือนเพื่อความปลอดภัยเมื่อใช้ดอกสว่านยาว

- ▶ อย่าทำงานด้วยความเร็วที่สูงกว่าอัตราความเร็วสูงสุดของดอกสว่าน ที่ความเร็วที่สูงกว่า ดอกสว่านอาจโค้งงอเมื่อปล่อยให้หมุนอย่างอิสระโดยไม่สัมผัสชิ้นงาน และส่งผลให้ได้รับบาดเจ็บทางร่างกาย
- ▶ เริ่มต้นเจาะด้วยความเร็วต่ำและให้ปลายดอกสว่านสัมผัสชิ้นงานเสมอ ที่ความเร็วที่สูงกว่า ดอกสว่านอาจโค้งงอเมื่อปล่อยให้หมุนอย่างอิสระโดยไม่สัมผัสชิ้นงาน และส่งผลให้ได้รับบาดเจ็บทางร่างกาย
- ▶ ใช้แรงกดให้ตรงกับแนวดอกสว่านเท่านั้นและอย่าใช้แรงกดมากเกินไปดอกสว่านอาจโค้งงอทำให้แตกหักหรือสูญเสียการควบคุม และส่งผลให้ได้รับบาดเจ็บทางร่างกาย

##### คำแนะนำเพื่อความปลอดภัยเพิ่มเติม

- ▶ จับเครื่องมือไฟฟ้าให้แน่น ขณะขันสกรูเข้าและคลายออก อาจเกิดแรงบิดสะท้อนช่วงสั้นๆ อย่างรุนแรงได้
- ▶ ยึดชิ้นงานให้แน่น การยึดชิ้นงานด้วยเครื่องมือหนีบหรือแท่นจับจะมั่นคงกว่าการยึดด้วยมือ
- ▶ ใช้เครื่องตรวจจับที่เหมาะสมเพื่อตรวจหาสายไฟฟ้าหรือท่อสาธารณูปโภคที่อาจซ่อนอยู่ในบริเวณทำงานหรือติดต่อบริษัทสาธารณูปโภคในพื้นที่เพื่อขอความช่วยเหลือ การสัมผัสกับสายไฟฟ้าอาจทำให้เกิดไฟไหม้หรือถูกไฟฟ้าดูด การทำให้ท่อแก๊สเสียหายอาจทำให้เกิดระเบิด การเจาะเข้าในท่อน้ำ ทำให้ทรัพย์สินเสียหาย
- ▶ รอให้เครื่องมือไฟฟ้าหยุดสนิทก่อนวางเครื่องลงบนพื้น เครื่องมือที่เสื่ออยู่อาจติดขัดและทำให้สูญเสียการควบคุมเครื่องมือไฟฟ้า
- ▶ เมื่อแบตเตอรี่ชาร์จและนำไปใช้งานอย่างไม่ถูกต้อง อาจมีไอระเหยออกมาได้ แบตเตอรี่อาจเผาไหม้หรือระเบิดได้ให้สูดอากาศบริสุทธิ์และไปพบแพทย์ในกรณีเจ็บปวด ไอระเหยอาจทำให้ระบมหายใจระคายเคือง
- ▶ อย่าเปิดแบตเตอรี่ อันตรายจากการลัดวงจร
- ▶ วัตถุที่แหลมคม ต. ย. เช่น ตะปูหรือไขควง หรือแรงกระทำภายนอก อาจทำให้แบตเตอรี่เสียหายได้ สิ่งเหล่านี้ อาจทำให้เกิดการลัดวงจรภายในและแบตเตอรี่ใหม่ มีควัน ระเบิด หรือร้อนเกินไป
- ▶ ใช้แบตเตอรี่แพ็คเฉพาะ ในผลิตภัณฑ์ของผู้ผลิตเท่านั้น ในลักษณะนี้ แบตเตอรี่แพ็คจะได้รับการปกป้องจากการใช้งานเกินกำลังซึ่งเป็นอันตราย



ปกป้องแบตเตอรี่จากความร้อน รวมทั้ง ต. ย. เช่น จากการถูกแสงแดดส่องต่อเนื่อง จากไฟ สิ่งสกปรก น้ำ และความชื้น อันตรายจากการระเบิดและการลัดวงจร

- ▶ ปิดสวิตช์เครื่องมือไฟฟ้าทันทีหากเครื่องมือติดขัด ให้เตรียมพร้อมสำหรับปฏิกิริยาแรงบิดสูงซึ่งเป็นเหตุให้เกิดการตีกลับ เครื่องมือจะติดขัดเมื่อเครื่องมือไฟฟ้าถูกใช้งานเกินกำลังหรือเครื่องมือถูกบีบอัดอยู่ในชิ้นงาน
- ▶ ระวัง! การใช้เครื่องมือไฟฟ้าพร้อม Bluetooth<sup>®</sup> อาจรบกวนอุปกรณ์และเครื่องมืออื่นๆ เครื่องบิน และอุปกรณ์ทางการแพทย์ (เช่น เครื่องกระตุ้นหัวใจ เครื่องช่วยฟัง) นอกจากนี้ยังอาจเกิดความเสียหายต่อคนและสัตว์ในบริเวณใกล้เคียงด้วย อย่าใช้เครื่องมือไฟฟ้าพร้อม Bluetooth<sup>®</sup> ใกล้อุปกรณ์ทางการแพทย์ สถานีบริการน้ำมัน โรงงานสารเคมี พื้นที่ที่มีบรรยากาศเสี่ยงต่อการระเบิด และพื้นที่ปฏิบัติการระเบิด อย่าใช้เครื่องมือไฟฟ้าพร้อม Bluetooth<sup>®</sup> ในเครื่องบิน หลีกเลี่ยงการทำงานเป็นระยะเวลานานตรงบริเวณใกล้ร่างกายโดยตรง

เครื่องหมายข้อความ Bluetooth<sup>®</sup> และยี่ห้อเป็นเครื่องหมายการค้าจดทะเบียนและเป็นกรรมสิทธิ์ของ Bluetooth SIG, Inc. บริษัท Robert Bosch Power Tools GmbH ได้รับใบอนุญาตใช้งานเครื่องหมายข้อความ/โลโก้ดังกล่าว

## รายละเอียดผลิตภัณฑ์และข้อมูล

### จำเพาะ



อ่านค่าเตือนเพื่อความปลอดภัยและคำแนะนำทั้งหมด การไม่ปฏิบัติตามคำเตือนและคำสั่งอาจเป็นสาเหตุให้ถูกไฟฟ้าดูด เกิดไฟไหม้ และ/หรือได้รับบาดเจ็บอย่างร้ายแรง

กรุณาดูภาพประกอบในส่วนของคู่มือการใช้งาน

### ประโยชน์การใช้งานของเครื่อง

เครื่องมือไฟฟ้านี้ใช้สำหรับขันสกรูเข้าและคลายออก รวมทั้ง เจาะรูในไม้ โลหะ เซรามิก และพลาสติก รุ่น GSB ยังใช้สำหรับเจาะกระแทกในอิฐ งานก่ออิฐ และหินได้ด้วย

เมื่อมี Bluetooth<sup>®</sup> Low Energy Module **GCY 42** ใส่อุณหภูมิจะสามารถถ่ายโอนข้อมูลและการตั้งค่าของเครื่องมือไฟฟ้าระหว่างเครื่องมือไฟฟ้าและอุปกรณ์เคลื่อนที่ปลายทางผ่านเทคโนโลยีไร้สาย Bluetooth<sup>®</sup>

## ส่วนประกอบที่แสดงภาพ

ลำดับเลขของส่วนประกอบผลิตภัณฑ์อ้างอิงถึงส่วนประกอบของเครื่องที่แสดงในหน้าภาพประกอบ

- (1) ด้ามจับเครื่องมือ
  - (2) หัวจับตอกชนิดจับเร็ว
  - (3) ก้านวัดความลึก
  - (4) ด้ามจับเพิ่ม (พื้นผิวจับหุ้มฉนวน)
  - (5) น็อตมิกสำหรับปรับก้านวัดความลึก
  - (6) แหวนตั้งแรงบิดล่วงหน้า
  - (7) สวิตช์เลือกโหมดทำงาน
  - (8) สวิตช์ตั้งเกี่ยว
  - (9) การตรวจจัมมุมอิเล็กทรอนิกส์ สำหรับการตรวจจัมมุมอิเล็กทรอนิกส์ (EAD)
  - (10) คลิปเข็มขัด
  - (11) แบตเตอรี่
  - (12) แบ่นปลดล็อคแบตเตอรี่
  - (13) โฟล่องบริเวณทำงาน (อินเตอร์เฟสผู้ใช้)
  - (14) อินเตอร์เฟสผู้ใช้
  - (15) ที่ใส่ดอกไขควง<sup>a)</sup>
  - (16) สวิตช์เปลี่ยนทิศทางการหมุน
  - (17) สวิตช์เปิด-ปิด
  - (18) ด้ามจับ (พื้นผิวจับหุ้มฉนวน)
  - (19) ฝาครอบ Bluetooth<sup>®</sup> Low Energy Module **GCY 42**
  - (20) ปุ่มสำหรับการตรวจจัมมุมอิเล็กทรอนิกส์ (EAD) (อินเตอร์เฟสผู้ใช้)
  - (21) ไฟ LED สำหรับการปรับมุมเอียงที่ปรับไว้แล้วสำหรับการตรวจจัมมุมอิเล็กทรอนิกส์ (EAD) (อินเตอร์เฟสผู้ใช้)
  - (22) ไฟ LED สำหรับเครื่องมือไฟฟ้า (อินเตอร์เฟสผู้ใช้)
  - (23) ไฟ LED สำหรับ KickBack Control (อินเตอร์เฟสผู้ใช้)
  - (24) ปุ่มสำหรับ KickBack Control (อินเตอร์เฟสผู้ใช้)
  - (25) หมายเลขคำสั่งซื้อด้ามจับเพิ่ม 1 602 025 07Y
- a) อุปกรณ์ประกอบที่แสดงภาพหรืออธิบายไม่รวมอยู่ในการจัดส่งมาตรฐาน
- กรุณาดูอุปกรณ์ประกอบทั้งหมดในรายการแสดงอุปกรณ์ประกอบของเรา

## ข้อมูลทางเทคนิค

ส่วน/ไขควงไร้สาย		GSR 18V-150 C	GSB 18V-150 C
หมายเลขสินค้า		3 601 JJ5 0..	3 601 JJ5 1..
แรงดันไฟฟ้าพิกัด	V=	18	18
ความเร็วรอบเดินตัวเปล่า <sup>A)</sup>			
- เกียร์ 1	นาที <sup>1</sup>	0-550	0-550
- เกียร์ 2	นาที <sup>1</sup>	0-2 200	0-2 200
อัตรากระแทก <sup>A)</sup>	นาที <sup>1</sup>	-	0-30 000
แรงบิดสำหรับการขันสกรูแบบแข็ง/แบบนุ่มอยู่บนพื้นฐานของ ISO 5393 (2017) <sup>A)</sup>	นิวตันเมตร	100/84	100/84
แรงบิดสูงสุด <sup>A)</sup>	นิวตันเมตร	150	150
Ø-การเจาะ สูงสุด			
- ไม้	มม.	150	150
- เหล็กกล้า	มม.	16	16
- งานก่ออิฐ	มม.	-	20
ด้ามจับเครื่องมือ		1.5-13	1.5-13
Ø-สกรู สูงสุด	มม.	13	13
น้ำหนักตามระเบียบการ EPTA-Procedure 01:2014 <sup>B)</sup>	กก.	2.4-3.5	2.5-3.6
อุณหภูมิโดยรอบที่แนะนำเมื่อชาร์จ	°C	0 ... +35	0 ... +35
อุณหภูมิโดยรอบที่อนุญาตเมื่อใช้งานและระหว่างการเก็บรักษา	°C	-20 ... +50	-20 ... +50
แบตเตอรี่ที่ใช้งานร่วมกันได้		GBA 18V... ProCORE18V...	GBA 18V... ProCORE18V...
แบตเตอรี่ที่แนะนำให้ใช้อย่างเต็มประสิทธิภาพ		ProCORE18V... ≥ 5.5 Ah	ProCORE18V... ≥ 5.5 Ah
เครื่องชาร์จที่แนะนำ		GAL 18... GAX 18... GAL 36...	GAL 18... GAX 18... GAL 36...

A) ค่าเนินการวัด ณ อุณหภูมิ 20-25 °C พร้อมแบตเตอรี่ ProCORE18V 8.0Ah

B) วัดด้วย GBA 18V 1.5Ah และ GBA 18V 12.0Ah

## การติดตั้ง

- ▶ ถอดแบตเตอรี่ออกจากเครื่องมือไฟฟ้าก่อนทำการปรับแต่งใดๆ ที่เครื่องมือไฟฟ้า (ต. ย. เช่น บำรุงรักษา เปลี่ยนเครื่องมือ ฯลฯ) รวมทั้งเมื่อขนย้ายและเก็บรักษา อันตรายจากการบาดเจ็บหากสวิตช์เปิด-ปิดติดขึ้นอย่างไม่ตั้งใจ

## การใส่ Bluetooth® Low Energy Module GCY 42

สำหรับข้อมูลเกี่ยวกับโมดูล Bluetooth® Low Energy Module GCY 42 กรุณาอ่านหนังสือคู่มือการใช้งานที่เกี่ยวข้อง



## การชาร์จแบตเตอรี่

► **ใช้เฉพาะเครื่องชาร์จแบตเตอรี่ที่ระบุในข้อมูลทางเทคนิคเท่านั้น** เฉพาะเครื่องชาร์จแบตเตอรี่เหล่านี้เท่านั้นที่เข้าซุกกับแบตเตอรี่ลิเธียมไอออนที่ใช้ในเครื่องมือไฟฟ้าของท่าน

**หมายเหตุ:** แบตเตอรี่แพ็คที่จัดส่งมาถูกชาร์จมาแล้วบางส่วน เพื่อให้แบตเตอรี่แพ็คทำงานได้เต็มประสิทธิภาพ ต้องชาร์จแบตเตอรี่แพ็ค

ในเครื่องชาร์จแบตเตอรี่ให้เต็มก่อนใช้งานเครื่องมือไฟฟ้าของท่านเป็นครั้งแรก

แบตเตอรี่ลิเธียม ไอออน

สามารถชาร์จได้ตลอดเวลาโดยอายุการใช้งานจะไม่ลดลง การขัดจังหวะกระบวนการชาร์จไม่ทำให้แบตเตอรี่แพ็คเสียหาย

“Electronic Cell Protection (ECP)” ช่วยป้องกันไม่ให้แบตเตอรี่ลิเธียม ไอออน จ่ายกระแสไฟออกอีก เมื่อแบตเตอรี่แพ็คหมดไฟ วงจรป้องกันจะดับสวิทช์เครื่องเครื่องมือที่ใส่อยู่จะไม่หมุนต่อ

► **เมื่อเครื่องมือไฟฟ้าปิดสวิทช์ลงโดยอัตโนมัติ อย่างกะลิบทันที-ปิด อีกต่อไป** แบตเตอรี่แพ็คอาจชาร์จได้

อ่านและปฏิบัติตามข้อสังเกตสำหรับการกำจัดขยะ

## การถอดแบตเตอรี่

แบตเตอรี่แพ็ค (11) มีการล็อกสองระดับเพื่อป้องกันไม่ให้แบตเตอรี่แพ็คร่วงหลุดออกมาหากกดแป้นปลดล็อกแบตเตอรี่แพ็ค (12) โดยไม่ตั้งใจ เมื่อแบตเตอรี่แพ็คถูกรวบรวมอยู่ในเครื่องมือไฟฟ้า สปรिंगจะยึดแบตเตอรี่แพ็คให้เข้าตำแหน่ง เมื่อต้องการถอดแบตเตอรี่แพ็ค (11) ออก ให้กดแป้นปลดล็อก (12) และดึงแบตเตอรี่แพ็คออกจากเครื่องมือไฟฟ้าอย่างช้าๆ

## ไฟแสดงสถานะการชาร์จแบตเตอรี่

ไฟ LED สีเขียวของการแสดงสถานะการชาร์จแบตเตอรี่แสดงสถานะการชาร์จของแบตเตอรี่ ด้วยเหตุผลด้านความปลอดภัยที่ท่านสามารถตรวจสอบสถานะการชาร์จเฉพาะเมื่อเครื่องมือไฟฟ้าหยุดสนิทเท่านั้น

กดปุ่มสำหรับไฟแสดงสถานะการชาร์จแบตเตอรี่ ☺ หรือ ☹ เพื่อแสดงสถานะการชาร์จ ท่านสามารถกดได้แม้เมื่อได้ถอดแบตเตอรี่ออกแล้ว

หลังจากกดปุ่มสำหรับไฟแสดงสถานะการชาร์จแบตเตอรี่แล้ว ไฟ LED ไม่ติดขึ้น แสดงว่าแบตเตอรี่พร้อมและต้องเปลี่ยนใหม่

**หมายเหตุ:** สถานะการชาร์จแบตเตอรี่จะปรากฏบนอินเทอร์เฟซผู้ใช้ (14) (ดู "ไฟแสดงสถานะ", หน้า 71) ที่อยู่ด้านบนหรือด้านข้างสั้นๆ

## แบตเตอรี่-ชนิด GBA 18V...



LED	ความจุ
ส่องสว่างต่อเนื่อง 3× สีเขียว	60-100 %
ส่องสว่างต่อเนื่อง 2× สีเขียว	30-60 %
ส่องสว่างต่อเนื่อง 1× สีเขียว	5-30 %
ไฟกะพริบ 1× สีเขียว	0-5 %

## แบตเตอรี่-ชนิด ProCORE18V...



LED	ความจุ
ส่องสว่างต่อเนื่อง 5× สีเขียว	80-100 %
ส่องสว่างต่อเนื่อง 4× สีเขียว	60-80 %
ส่องสว่างต่อเนื่อง 3× สีเขียว	40-60 %
ส่องสว่างต่อเนื่อง 2× สีเขียว	20-40 %
ส่องสว่างต่อเนื่อง 1× สีเขียว	5-20 %
ไฟกะพริบ 1× สีเขียว	0-5 %

## ด้ามจับเพิ่ม

► **ต้องใช้เครื่องมือไฟฟ้าของท่านร่วมกับด้ามจับเพิ่ม (4) เสมอ**

สามารถใช้เครื่องมือไฟฟ้านี้ได้เฉพาะกับด้ามจับเพิ่มที่มีหมายเลขสั่งซื้อ 1602 025 07Y

► **ก่อนทำงานใดๆ ต้องตรวจสอบให้แน่ใจว่าด้ามจับเพิ่มถูกขันไว้อย่างแน่นหนาแล้ว** การสูญเสียการควบคุมอาจทำให้เกิดการบาดเจ็บ ตรวจสอบให้แน่ใจว่า ด้ามจับเพิ่มถูกขันให้แน่นด้วยแรงบิดที่เหมาะสมกับสกรูยึดติดเข้ากับเครื่องมือไฟฟ้าโดยที่บริเวณรอบด้ามจับเพิ่มและแกนเจาะไม่สามารถเคลื่อนที่ได้

## ติดตั้งด้ามจับเพิ่ม

ในการเปิดด้ามจับเพิ่ม หมุนที่จับด้านล่างของด้ามจับเพิ่ม (4) ในทิศทางทวนเข็มนาฬิกา

ดึงสเปเซอร์ของด้ามจับเพิ่ม กลับมาและค้ำไว้ในตำแหน่งนี้ ดันด้ามจับเพิ่มเหนือหัวจับดอกสว่านเพื่อต่อด้ามจับเพิ่มเข้ากับเครื่องมือไฟฟ้า

จากนั้นปล่อยสเปเซอร์

จากนั้นจึงหมุนก้านจับด้านล่างของด้ามจับเพิ่ม (4) ในทิศทางตามเข็มนาฬิกากลับเข้าที่ที่แน่น



### หันด้ามจับเพิ่ม

ท่านสามารถจับด้ามจับเพิ่ม (4) หันไปยังตำแหน่งใดก็ได้ เพื่อให้ได้ทำงานที่มีมั่นคงและเหนียวแน่น

หมุนก้านจับด้านล่างของด้ามจับเพิ่ม (4) ทวนเข็มนาฬิกา และหันด้ามจับเพิ่ม (4) ไปยังตำแหน่งที่ต้องการ จากนั้นจึงหมุนก้านจับด้านล่างของด้ามจับเพิ่ม (4) ในทิศทางตามเข็มนาฬิกากลับเข้าที่ให้แน่น

### การปรับความลึกการเจาะ

ท่านสามารถใช้ก้านวัดความลึก (3) เพื่อตั้งความลึกการเจาะ X ที่ต้องการ

คลายน็อตปิ๊กสำหรับปรับก้านวัดความลึก (5) ออกและใส่ก้านวัดความลึกเข้าในด้ามจับเพิ่ม (4)

ตั้งก้านวัดความลึก (3) ออกมาจนวนระยะห่างระหว่างปลายดอกสว่านและปลายก้านวัดความลึก (3) เท่ากับความลึกการเจาะที่ต้องการ X

ขันคลายน็อตปิ๊กสำหรับปรับก้านวัดความลึก (5) กลับให้แน่นอีกครั้ง

### การเปลี่ยนเครื่องมือ (ดูภาพประกอบ A)

- ▶ ถอดแบตเตอรี่ออกจากเครื่องมือไฟฟ้าก่อนทำการปรับแต่งใดๆ ที่เครื่องมือไฟฟ้า (ต. ย. เช่น บำรุงรักษา เปลี่ยนเครื่องมือ ฯลฯ) รวมทั้งเมื่อขนย้ายและเก็บรักษา อันตรัยจากการบาดเจ็บหากสวิตช์เปิด-ปิดติดขึ้นอย่างไม่ตั้งใจ

แกนสว่านจะถูกล็อกไว้เมื่อไม่กดสวิตช์เปิด-ปิด (17) ในลักษณะนี้ท่านจะสามารถเปลี่ยนเครื่องมือในหัวจับดอกได้ง่าย และสะดวก

เปิดหัวจับดอกชนิดจับเร็ว (2) โดยหมุนไปในทิศทางหมุน ① จนสามารถใส่เครื่องมือได้ ใส่เครื่องมือเข้า

ใช้มือหมุนปลอกของหัวจับดอกชนิดจับเร็ว (2) ไปในทิศทางหมุน ② เข้าให้แน่น ในลักษณะนี้หัวจับดอกจะถูกล็อกโดยอัตโนมัติ

### การถอดฝุ่น/ขี้เลื่อย

ฝุ่นที่ได้จากวัสดุ เช่น เคลือบผิวที่มีสารตะกั่ว ไม้ยางประเภท แร่ธาตุ และโลหะ อาจเป็นอันตรายต่อสุขภาพ การสัมผัสหรือการหายใจเอาฝุ่นเข้าไปอาจทำให้เกิดปฏิกิริยาแพ้ฝุ่น และ/หรือนำมาซึ่งโรคติดเชื้อระบบหายใจแก่ผู้ใช้เครื่องหรือผู้ที่ยืนอยู่ใกล้เคียง

ฝุ่นบางประเภท เช่น ฝุ่นไม้โอ๊ก หรือไม้บีช นับเป็นสารที่ทำให้เกิดมะเร็ง โดยเฉพาะอย่างยิ่งเมื่อผสมกับสารเติมแต่งเพื่อยับยั้ง (โครเมต ผลิตภัณฑ์รักษาเนื้อไม้) สำหรับวัสดุที่มีแอลเบสทอสตองให้ผู้เชี่ยวชาญทำงานเท่านั้น

- จัดสถานที่ทำงานให้มีกระแสลมอากาศที่ดี

- ขอแนะนำให้สวมหน้ากากป้องกันการติดเชื้อที่มีระดับ-ใส่กรอง P2

ปฏิบัติตามกฎข้อบังคับสำคัญอื่นๆ ที่เกี่ยวกับวัสดุชิ้นงานที่บังคับใช้ในประเทศของท่าน

- ▶ ป้องกันการสะสมของฝุ่นในสถานที่ทำงาน ฝุ่นสามารถถูกใหม่อย่างง่ายดาย

## การปฏิบัติงาน

### การเริ่มต้นปฏิบัติงาน



#### การใส่แบตเตอรี่

**หมายเหตุ:** การใช้แบตเตอรี่แพ็คที่ไม่เหมาะกับเครื่องมือไฟฟ้าของท่านอาจทำให้เครื่องมือไฟฟ้าทำงานผิดปกติหรือเสียหายได้

ตั้งสวิตช์เปลี่ยนทิศทางการหมุน (16) ไว้ที่กึ่งกลางเพื่อป้องกันการเปิดสวิตช์โดยไม่ตั้งใจ ใส่แบตเตอรี่แพ็คที่ชาร์จไฟแล้ว (11) เข้าในด้ามจับจนได้ยินเสียงล็อกเข้าที่และวางรวมเสมอกันกับด้ามจับ

#### การตั้งทิศทางการหมุน (ดูภาพประกอบ B)

ท่านสามารถเปลี่ยนทิศทางการหมุนของเครื่องมือไฟฟ้าได้ด้วยสวิตช์เปลี่ยนทิศทางการหมุน (16) อย่างไรก็ตาม หากสวิตช์เปิด-ปิด (17) ถูกกดอยู่ จะกลับทิศทางการหมุนไม่ได้

- ⚙ **การหมุนทางขวา:** เลื่อนสวิตช์เปลี่ยนทิศทางการหมุน (16) ทั้งสองข้างจนสุดไปที่ตำแหน่ง 
- ⚙ **การหมุนทางซ้าย:** เลื่อนสวิตช์เปลี่ยนทิศทางการหมุน (16) ทั้งสองข้างจนสุดไปที่ตำแหน่ง 

#### การตั้งโหมดทำงาน



##### การเจาะ

ตั้งสวิตช์เลือกโหมดการทำงาน (7) ไว้ที่สัญลักษณ์ "การเจาะ"



##### การเจาะ

ตั้งสวิตช์เลือกโหมดการทำงาน (7) ไว้ที่สัญลักษณ์ "การขันสกรู"



##### "การเจาะกระแทก" (GSB 18V-150 C)

ตั้งสวิตช์เลือกโหมดการทำงาน (7) ไว้ที่สัญลักษณ์ "การเจาะกระแทก"

#### การเปิด-ปิดเครื่อง

สตาร์ทเครื่องมือไฟฟ้าโดยกดสวิตช์เปิด-ปิด (17) และกดค้างไว้

ไฟ LED (13) จะส่องสว่างเมื่อกดสวิตช์เปิด-ปิด (17) เมาท์หรือเติมที่ และให้ความสว่างบริเวณทำงานภายใต้สภาพแสงที่ไม่เอื้ออำนวย

**ปิดเครื่องมือไฟฟ้าโดยปล่อยนิ้วจากสวิตช์เปิด-ปิด (17)**

#### การปรับความเร็วรอบ

ท่านสามารถปรับความเร็วรอบของเครื่องมือไฟฟ้าที่เปิดสวิตช์อยู่ได้อย่างต่อเนื่องตามแรงกดมากขึ้นบนสวิตช์เปิด-ปิด (17)

การกดสวิตช์เปิด-ปิด (17) เมาท์จะให้ความเร็วรอบต่ำ การกดสวิตช์แรงยิ่งขึ้นจะให้ความเร็วรอบสูงขึ้น

**การเลือกแรงบิดล่วงหน้า (ใช้กับโหมดการทำงาน การขันสกรู)**

ท่านสามารถเลือกแรงบิดที่ต้องการล่วงหน้าได้ 25 ชั้นด้วยแหวนตั้งแรงบิดล่วงหน้า (6) เครื่องมือจะหยุดทำงานเมื่อถึงแรงบิดที่ตั้งไว้ล่วงหน้า

#### การตั้งเกียร์ ระบบกลไก

▶ **สับสวิตช์ตั้งเกียร์ (8) เมื่อเครื่องหยุดนิ่งอยู่กับที่เท่านั้น**  
**เกียร์ 1:**

ความเร็วรอบต่ำ สำหรับการเจาะรูเส้นผ่าศูนย์กลางขนาดใหญ่หรือสำหรับการขันสกรู

**เกียร์ 2:**

ความเร็วรอบสูง สำหรับการเจาะรูเส้นผ่าศูนย์กลางขนาดเล็ก  
▶ **ดันสวิตช์ตั้งเกียร์ไปจนสุดเสมอ** มิฉะนั้นเครื่องอาจชำรุดได้

#### การปิดระบบอย่างรวดเร็ว (KickBack Control)



**การปิดระบบอย่างรวดเร็ว (KickBack Control) ช่วยให้สามารถควบคุมเครื่องมือไฟฟ้าได้ดียิ่งขึ้นและปกป้องผู้ใช้อย่างยิ่งขึ้นเมื่อเทียบกับเครื่องมือไฟฟ้าที่ไม่มี**

**KickBack Control เมื่อเครื่องมือไฟฟ้าหมุนรอบแกนส่วนอย่างฉับพลันและไม่คาดคิด เครื่องมือไฟฟ้าจะปิดสวิตช์**

การปิดระบบอย่างรวดเร็วจะแสดงด้วยไฟ LED (22) กระพริบสีแดง ไฟกะพริบของไฟทำงาน (13) และไฟ LED สีแดงสำหรับ KickBack Control (23) บนเครื่องมือไฟฟ้าเมื่อต้องการเริ่มต้นทำงานอีกครั้งให้ปล่อยนิ้วจากสวิตช์เปิด-ปิดและกดสวิตช์อีกครั้ง

▶ **หากฟังก์ชันการควบคุมแรงสั่นสะเทือน (KickBack Control) ชำรุด จะไม่สามารถเปิดเครื่องมือไฟฟ้าได้อีกต่อไป ส่งเครื่องมือวัดให้ช่างผู้เชี่ยวชาญตรวจซ่อมและ ใช้อะไหล่เปลี่ยนของแท้เท่านั้น**

สามารถปิดใช้งานการปิดระบบอย่างรวดเร็วที่อินเตอร์เฟสผู้ใช้ (14) ด้วยปุ่ม (24) หากไม่ได้ใช้เครื่องมือไฟฟ้านานกว่า

5 นาที หรือหากถอดแบตเตอรี่ออก การปิดระบบอย่างรวดเร็วจะเปิดขึ้นอีกครั้งโดยอัตโนมัติ สถานะปัจจุบันจะแสดงผ่านไฟ LED สำหรับ KickBack Control (23) บนอินเตอร์เฟสผู้ใช้ (14)

โปรดทราบว่า ไม่สามารถมองเห็นไฟเตือนได้จากทุกทิศทาง ไฟเตือนมองเห็นได้ยากหากแสงแดดจ้า

#### Electronic Angle Detection (EAD)

การตรวจจับสนุมอิเล็กทรอนิกส์ (EAD) สามารถเลือกมุมเอียงล่วงหน้าได้ซึ่ง เครื่องมือไฟฟ้าจะปรับขณะทำงานและแสดงให้ผู้ใช้เห็น ซึ่งช่วยให้สามารถเจาะหรือขันสกรูที่มุมฉากเข้ากับพื้นผิวที่เอียงได้ การตรวจจับสนุมอิเล็กทรอนิกส์ (EAD) จะควบคุมผ่านอินเตอร์เฟสผู้ใช้ (14)

เลือกมุม (45°, 60°, ผู้ใช้กำหนดเอง) บนอินเตอร์เฟสผู้ใช้ (14) **หมายเหตุ:** ในการตั้งค่าจากโรงงานผลิต มุมที่ผู้ใช้กำหนด คือ 90° สามารถปรับได้ด้วย Bosch App ในการตั้งค่ามุมให้กดปุ่มบนการตรวจจับสนุมอิเล็กทรอนิกส์ (EAD) (20) จนกระทั่งไฟ LED สำหรับมุมเอียงที่ต้องการ (21) เริ่มกะพริบ

นอกจากไฟ LED สำหรับมุมเอียงที่ต้องการ (21) แล้ว ไฟ LED สำหรับการตรวจจับสนุมอิเล็กทรอนิกส์ (EAD) (9) จะเริ่มกะพริบสีเหลือง ตอนที่หัวเครื่องมือไฟฟ้าบนพื้นผิวที่ต้องการและถือไว้หนึ่งที่สุด **หมายเหตุ:** หากเครื่องมือไฟฟ้าไม่อยู่ในระหว่างกระบวนการเริ่มต้นกระบวนการเริ่มต้นจะสิ้นสุดโดยอัตโนมัติหลังจากผ่านไป 10 วินาทีและคาชชุดสุดท้ายจะถูกเรียกคืน

หลังจากวางตำแหน่งแล้ว เครื่องมือไฟฟ้าจะเริ่มกระบวนการเริ่มต้น พื้นผิวที่ต้องการจะเริ่มเรียวขึ้น ในระหว่างกระบวนการเริ่มต้น ขั้นตอนการเริ่มต้นจะเสร็จสมบูรณ์เมื่อไฟ LED สำหรับการตรวจจับสนุมอิเล็กทรอนิกส์ (EAD) (9) สว่างเป็นสีเขียวประมาณ 1 วินาที จากนั้นจะดับลงและไฟ LED สำหรับมุมเอียง (21) จะสว่างขึ้นอย่างต่อเนื่อง

นำเครื่องมือไฟฟ้าออกจากพื้นผิว จัดตำแหน่งเครื่องมือไฟฟ้าให้ได้มุมเอียงที่ต้องการบนพื้นผิวที่การเรียวขึ้น ไฟ LED (22) จะสว่างเป็นสีเหลืองเมื่อมุมเอียงอยู่ในช่วง +/- 10° จากมุมเอียงที่ปรับไว้ล่วงหน้า

หากถึงมุมเอียง +/- 3° ถึงมุมเอียงที่วางไว้ไฟ LED (9) จะสว่างเป็นสีเขียว ในการสิ้นสุดการตรวจจับสนุมอิเล็กทรอนิกส์ (EAD) ให้กดปุ่มการตรวจจับสนุมอิเล็กทรอนิกส์ (EAD) (20) ค้างไว้จนกระทั่งไฟ LED สำหรับการเลือกมุม (21) ดับไป (45° → 60° → ผู้ใช้กำหนด → ปิด) มุมที่ตั้งไว้และพื้นผิวอ้างอิงจะยังคงอยู่ แม้ว่าจะมีการเปลี่ยนแบตเตอรี่หรือหากมีการปลุกเครื่องมือไฟฟ้าอีกครั้งจากโหมดสลีป

#### อินเตอร์เฟสผู้ใช้ (ดูภาพประกอบ D)

อินเตอร์เฟสผู้ใช้ (14) เพื่อตั้งค่าและตรวจสอบมุมเอียงภายในขอบเขตของการตรวจจับสนุมอิเล็กทรอนิกส์ (EAD)

เพื่อปิดใช้งานการปิดเครื่องอย่างรวดเร็ว (KickBack Control) และเพื่อแสดงสถานะของเครื่องมือไฟฟ้า

### ไฟแสดงสถานะ

ไฟแสดงสถานะเครื่อง มือไฟฟ้า (22)	ความหมาย/สาเหตุ	วิธีแก้ปัญหา
สีเขียว	สถานะ OK	–
สีแดง	อุณหภูมิถึงขั้นวิกฤติหรือแบตเตอรี่ใกล้หมด หรือ KickBack Control ปิดใช้งานอยู่	ปล่อยให้เครื่องมือไฟฟ้าทำงานในโหมดว่างและปล่อยให้เย็นลง สลับ หรือชาร์จแบตเตอรี่ภายในไม่ช้า หรือกดปุ่ม KickBack
ส่องสว่างสีแดง	เครื่องมือไฟฟ้าร้อนเกินไปหรือแบตเตอรี่หมดประจุ	ปล่อยให้เครื่องมือไฟฟ้าเย็นลง สลับหรือชาร์จแบตเตอรี่
กะพริบสีแดง	การยับยั้งการตีกลับถูกเรียกใช้งาน	เปิดสวิตช์เครื่องมือไฟฟ้าอีกครั้ง
กะพริบสีฟ้า	เครื่องมือไฟฟ้าเชื่อมต่อกับอุปกรณ์เคลื่อนที่ปลายทางหรือกำลังถ่ายโอนการตั้งค่า	–

ไฟแสดงสถานะเครื่องมือไฟฟ้า (9)	ความหมาย/สาเหตุ
สีเขียว	ไดมัมที่เลือกแล้วโดยมีค่าเพื่อ $+/-3^{\circ}$ กับพื้นผิวที่เรียนรู้ <sup>A)</sup>
สีแดง	ไดมัมที่เลือกแล้วโดยมีค่าเพื่อ $+/-10^{\circ}$ กับพื้นผิวที่เรียนรู้ <sup>A)</sup>
สีแดงกะพริบ จากนั้นจะสว่างสว่างเป็นสีเขียวชั่วคราว	จะเรียนรู้พื้นผิว
สีแดงกะพริบ จากนั้นจะสว่างสว่างเป็นสีแดงชั่วคราว	กระบวนการเริ่มต้นดำเนินการไม่ถูกต้อง

A) ความแม่นยำในการวัดอาจแตกต่างกันไปตามเงื่อนไขที่แตกต่างกัน (เช่น การจัดแนวอุปกรณ์กับสกรูไม่ตรงแนว เนื่องจากมีระยะระหว่างดอกไขควงและ/หรืออะแดปเตอร์ ความสม่ำเสมอของพื้นผิวอ้างอิง; ...)

### ฟังก์ชันการเชื่อมต่อ

เมื่อใช้ร่วมกับ *Bluetooth® Low Energy Module GCY 42* จะมีฟังก์ชันการเชื่อมต่อต่อไปนี้สำหรับเครื่องมือไฟฟ้า:

- การลงทะเบียนและตั้งค่าส่วนบุคคล
- การตรวจสอบสถานะและการส่งออกข้อความแจ้งเตือน
- ข้อมูลทั่วไปและการตั้งค่า
- การจัดการ

สำหรับข้อมูลเพิ่มเติมเกี่ยวกับ *Bluetooth® Low Energy Module GCY 42* กรุณาอ่านหนังสือคู่มือการใช้งานที่เกี่ยวข้อง

### ข้อแนะนำในการทำงาน

- ▶ เครื่องมือไฟฟ้าที่มี *Bluetooth® Low Energy Module GCY 42* ใส่อยู่จะมีส่วนต่อประสานทางคลื่นวิทยุ ต้องปฏิบัติตามข้อกำหนดในการใช้งานในท้องถิ่น ต. ย. เช่น ในเครื่องบิน หรือโรงพยาบาล

- ▶ จับเครื่องมือไฟฟ้าวางบนสกรูเมื่อเครื่องปิดอยู่เท่านั้น เครื่องมือที่หมุนอยู่อาจลื่นไถล

ท่านสามารถใช้เครื่องมือช่วยเพื่อถอดดอกไขควงหรือตามจับดอกทั่วๆ ไปออก

### คลิปเข็มขัด

ท่านสามารถใช้คลิปเข็มขัด (10) เพื่อแขวนเครื่องมือไฟฟ้า ต. ย. เช่น บนเข็มขัด จากนั้นท่านจะมีมือว่างทั้งสองข้าง และสามารถหยิบจับเครื่องมือไฟฟ้าได้ตลอดเวลา

## การบำรุงรักษาและการบริการ

### การบำรุงรักษาและการทำความสะอาด

- ▶ ถอดแบตเตอรี่ออกจากเครื่องมือไฟฟ้าก่อนทำการปรับแต่งใดๆ ที่เครื่องมือไฟฟ้า (ต. ย. เช่น บำรุงรักษา เปลี่ยนเครื่องมือ ฯลฯ) รวมทั้งเมื่อขนย้ายและเก็บรักษา อันตรายจากการบาดเจ็บหากสวิตช์เปิด-ปิดติดขึ้นอย่างไม่ตั้งใจ

- ▶ เพื่อให้ทำงานได้อย่างถูกต้องและปลอดภัย  
ตัวรักษาเครื่องและของระบายน้  
ให้สะอาดอยู่เสมอ

### การบริการหลังการขายและการให้คำปรึกษาการ ใช้งาน

ศูนย์บริการหลังการขายของเรายินดีตอบคำถามของ  
ท่านที่เกี่ยวกับการบำรุงรักษาและการซ่อมแซมผลิตภัณฑ์รวม  
ทั้งเรื่องอะไหล่ ภาพเขียนแบบการประกอบและข้อมูลเกี่ยวกับ  
อะไหล่ กรุณาดูใน: [www.bosch-pt.com](http://www.bosch-pt.com)  
ทีมงานที่ปรึกษาของ บอช ยินดีให้ข้อมูลเกี่ยวกับผลิตภัณฑ์  
ของเราและอุปกรณ์ประกอบต่างๆ

เมื่อต้องการสอบถามและสั่งซื้ออะไหล่ กรุณาแจ้งหมายเลข  
สินค้า 10 หลักบนแผ่นป้ายรุ่นของผลิตภัณฑ์ทุกครั้ง

#### ไทย

ไทย บริษัท โรเบิร์ต บอช จำกัด  
เอฟวายไอ เซ็นเตอร์ อาคาร 1 ชั้น 5  
เลขที่ 2525 ถนนพระราม 4  
แขวงคลองเตย เขตคลองเตย กรุงเทพฯ 10110  
โทร: +66 2012 8888  
แฟกซ์: +66 2064 5800  
[www.bosch.co.th](http://www.bosch.co.th)

ศูนย์บริการซ่อมและฝึกอบรม บอช  
อาคาร ลาซาลทาวเวอร์ ชั้น G ห้องเลขที่ 2  
บ้านเลขที่ 10/11 หมู่ 16  
ถนนศรีนครินทร์ ตำบลบางแก้ว อำเภอบางพลี  
จังหวัดสมุทรปราการ 10540  
ประเทศไทย  
โทรศัพท์ 02 7587555  
โทรสาร 02 7587525

สามารถดูที่อยู่ศูนย์บริการอื่นๆ ได้ที่:

[www.bosch-pt.com/serviceaddresses](http://www.bosch-pt.com/serviceaddresses)

#### การขนส่ง

แบตเตอรี่ลิเธียม ไอออน ที่บรรจุอยู่ภายใน  
ได้ออกกำหนดแห่งกฎหมายสินค้าอันตราย ผู้  
ใช้สามารถขนส่งแบตเตอรี่แพ็คโดย  
ทางถนนโดยไม่มีข้อบังคับอื่นหากขนส่งโดยบุคคลที่สาม  
(เช่น : การขนส่งทางอากาศ หรือตัวแทนขนส่งสินค้า)  
ต้องปฏิบัติตามข้อกำหนดพิเศษเกี่ยวกับการบรรจุ  
ภัณฑ์และการติดฉลาก สำหรับการเตรียมสิ่งของที่จัดตั้ง  
จำเป็นต้องปรึกษาผู้เชี่ยวชาญด้านวัตถุอันตราย  
ส่งแบตเตอรี่แพ็คเมื่อตัวหุ้มไม่ชำรุดเสียหายเท่านั้น ใช้แถบ  
กาวพันปิดหน้าสัมผัสที่เปิดอยู่ และนำแบตเตอรี่แพ็ค  
ใส่กล่องบรรจุโดยไม่ให้เคลื่อนไปมาในกล่องได้ นอกจากนี้

นี้กรุณาปฏิบัติตามกฎระเบียบของประเทศซึ่งอาจมีรายละเอียดเพิ่มเติม

#### การกำจัดขยะ



เครื่องมือไฟฟ้า แบตเตอรี่แพ็ค อุปกรณ์ประกอบ  
และที่บด ต้องนำ

ไปแยกประเภทวัสดุเพื่อนำกลับมาใช้

ใหม่โดยไม่ทำลายสภาพแวดล้อม



อย่าทิ้งเครื่องมือไฟฟ้าและแบตเตอรี่แพ็ค/  
แบตเตอรี่ที่นำกลับมาใช้ใหม่ได้ ลงในขยะ  
บ้าน!

#### แบตเตอรี่แพ็ค/แบตเตอรี่:

##### ลิเธียม ไอออน:

กรุณาปฏิบัติตามคำแนะนำในบทความขนส่ง (ดู "การขนส่ง",  
หน้า 72)

## Bahasa Indonesia

### Petunjuk Keselamatan

#### Petunjuk keselamatan umum untuk perkakas listrik

##### **PERINGATAN** Baca semua peringatan, petunjuk, ilustrasi, dan spesifikasi

keselamatan yang diberikan bersama perkakas listrik  
ini. Kesalahan dalam menjalankan petunjuk di bawah ini  
dapat mengakibatkan sengatan listrik, kebakaran, dan/atau  
cedera serius.

##### Simpanlah semua peringatan dan petunjuk untuk penggunaan di masa mendatang.

Istilah "perkakas listrik" dalam peringatan mengacu pada  
perkakas listrik yang dioperasikan dengan listrik  
(menggunakan kabel) atau perkakas listrik yang  
dioperasikan dengan baterai (tanpa kabel).

##### Keamanan tempat kerja

- ▶ **Jaga kebersihan dan pencahayaan area kerja.** Area yang berantakan atau gelap dapat memicu kecelakaan.
- ▶ **Jangan mengoperasikan perkakas listrik di lingkungan yang dapat memicu ledakan, seperti adanya cairan, gas, atau debu yang mudah terbakar.** Perkakas listrik dapat memancarkan bunga api yang kemudian mengakibatkan debu atau uap terbakar.
- ▶ **Jauhkan dari jangkauan anak-anak dan pengamat saat mengoperasikan perkakas listrik.** Gangguan dapat menyebabkan hilangnya kendali.

### Keamanan listrik

- ▶ **Steker perkakas listrik harus sesuai dengan stopkontak. Jangan pernah memodifikasi steker. Jangan menggunakan steker adaptor bersama dengan perkakas listrik yang terhubung dengan sistem grounding.** Steker yang tidak dimodifikasi dan stopkontak yang cocok akan mengurangi risiko sengatan listrik.
- ▶ **Hindari kontak badan dengan permukaan yang terhubung dengan sistem grounding, seperti pipa, radiator, kompor, dan lemari es.** Terdapat peningkatan risiko terjadinya sengatan listrik jika badan Anda terhubung dengan sistem grounding.
- ▶ **Perkakas listrik tidak boleh terpapar hujan atau basah.** Air yang masuk ke dalam perkakas listrik menambah risiko terjadinya sengatan listrik.
- ▶ **Jangan menyalahgunakan kabel. Jangan gunakan kabel untuk membawa, menarik, atau melepas steker perkakas listrik. Jauhkan kabel dari panas, minyak, tepi yang tajam, atau komponen yang bergerak.** Kabel listrik yang rusak atau tersangkut menambah risiko terjadinya sengatan listrik.
- ▶ **Saat mengoperasikan perkakas listrik di luar ruangan, gunakan kabel ekstensi yang sesuai untuk penggunaan di luar ruangan.** Penggunaan kabel yang cocok untuk pemakaian di luar ruangan mengurangi risiko terjadinya sengatan listrik.
- ▶ **Jika perkakas listrik memang harus dioperasikan di tempat yang lembap, gunakan pemutus arus listrik residu (RCD).** Penggunaan RCD akan mengurangi risiko terjadinya sengatan listrik.

### Keselamatan personel

- ▶ **Tetap waspada, perhatikan aktivitas yang sedang dikerjakan dan gunakan akal sehat saat mengoperasikan perkakas listrik. Jangan gunakan perkakas listrik saat mengalami kelelahan atau di bawah pengaruh narkoba, alkohol, atau obat-obatan.** Jika perkakas listrik dioperasikan dengan daya konsentrasi yang rendah, hal tersebut dapat menyebabkan cedera serius.
- ▶ **Gunakan peralatan pelindung diri. Selalu kenakan pelindung mata.** Penggunaan perlengkapan pelindung seperti penutup telinga, helm, sepatu anti licin, dan masker debu akan mengurangi cedera.
- ▶ **Hindari start yang tidak disengaja. Pastikan switch berada di posisi off sebelum perkakas listrik dihubungkan ke sumber daya listrik dan/atau baterai, diangkat, atau dibawa.** Membawa perkakas listrik dengan jari menempel pada tombol atau perkakas listrik dalam keadaan hidup dapat memicu kecelakaan.
- ▶ **Singkirkan kunci penyetel atau kunci pas sebelum menghidupkan perkakas listrik.** Perkakas atau kunci pas yang masih menempel pada komponen perkakas listrik yang berputar dapat menyebabkan cedera.
- ▶ **Jangan melampaui batas. Berdirilah secara mantap dan selalu jaga keseimbangan.** Hal ini akan

memberikan kontrol yang lebih baik terhadap perkakas listrik pada situasi yang tak terduga.

- ▶ **Kenakan pakaian dengan wajar. Jangan mengenakan perhiasan atau pakaian yang longgar. Jauhkan rambut dan pakaian dari komponen yang bergerak.** Pakaian yang longgar, rambut panjang, atau perhiasan dapat tersangkut dalam komponen yang bergerak.
- ▶ **Jika disediakan perangkat untuk sambungan pengisapan debu dan alat pengumpulan, pastikan perangkat tersebut terhubung dan digunakan dengan benar.** Penggunaan alat pengumpulan dapat mengurangi bahaya yang disebabkan oleh debu.
- ▶ **Jangan berpuas diri dan mengabaikan prinsip keselamatan karena terbiasa mengoperasikan perkakas.** Tindakan yang kurang hati-hati dapat mengakibatkan cedera serius dalam waktu sepersekian detik.

### Penggunaan dan pemeliharaan perkakas listrik

- ▶ **Jangan memaksakan perkakas listrik. Gunakan perkakas listrik yang sesuai untuk pekerjaan yang dilakukan.** Perkakas listrik yang sesuai akan bekerja dengan lebih baik dan aman sesuai tujuan penggunaan.
- ▶ **Jangan gunakan perkakas listrik dengan switch yang tidak dapat dioperasikan.** Perkakas listrik yang switchnya yang tidak berfungsi dapat menimbulkan bahaya dan harus diperbaiki.
- ▶ **Lepaskan steker dari sumber listrik dan/atau lepas baterai, jika dapat dilepaskan dari perkakas listrik sebelum menyetel, mengganti aksesoris, atau menyimpan perkakas listrik.** Tindakan preventif akan mengurangi risiko menghidupkan perkakas listrik secara tidak disengaja.
- ▶ **Jauhkan dan simpan perkakas listrik dari jangkauan anak-anak dan jangan biarkan orang-orang yang tidak mengetahui cara menggunakan perkakas listrik, mengoperasikan perkakas listrik.** Perkakas listrik dapat membahayakan jika digunakan oleh orang-orang yang tidak terlatih.
- ▶ **Lakukan pemeliharaan perkakas listrik dan aksesoris. Periksa komponen yang bergerak apabila tidak lurus atau terikat, kerusakan komponen, dan kondisi lain yang dapat mengganggu pengoperasian perkakas listrik. Apabila rusak, perbaiki perkakas listrik sebelum digunakan.** Kecelakaan sering terjadi karena perkakas listrik tidak dirawat dengan baik.
- ▶ **Jaga ketajaman dan kebersihan alat.** Alat pemotong dengan pisau pemotong yang tajam dan dirawat dengan baik tidak akan mudah tersangkut dan lebih mudah dikendalikan.
- ▶ **Gunakan perkakas listrik, aksesoris, dan komponen perkakas dll sesuai dengan petunjuk ini, dengan mempertimbangkan kondisi kerja dan pekerjaan yang akan dilakukan.** Penggunaan perkakas listrik untuk tujuan berbeda dari fungsinya dapat menyebabkan situasi yang berbahaya.

- ▶ **Jaga gagang dan permukaan genggam agar tetap kering, bersih, dan bebas dari minyak dan lemak.** Gagang dan permukaan genggam yang licin tidak menjamin keamanan kerja dan kontrol alat yang baik pada situasi yang tidak terduga.

#### Penggunaan dan pemeliharaan perkakas baterai

- ▶ **Isi ulang daya hanya dengan pengisi daya yang ditentukan oleh produsen.** Pengisi daya yang sesuai untuk satu jenis set baterai dapat menyebabkan risiko kebakaran apabila digunakan dengan set baterai lain.
- ▶ **Hanya gunakan perkakas listrik dengan set baterai yang dirancang khusus.** Penggunaan set baterai lain dapat menyebabkan risiko cedera dan kebakaran.
- ▶ **Apabila set baterai tidak digunakan, jauhkan dari benda logam lainnya, seperti klip kertas, koin, kunci, paku, sekrup, atau benda logam kecil lainnya yang dapat membuat sambungan dari satu terminal ke terminal lainnya.** Memendekkan terminal baterai dapat menyebabkan kebakaran atau api.
- ▶ **Cairan dapat keluar dari baterai jika baterai tidak digunakan dengan benar; hindari kontak. Jika terjadi kontak secara tidak disengaja, bilas dengan air. Jika cairan mengenai mata, segera hubungi bantuan medis.** Cairan yang keluar dari baterai dapat menyebabkan iritasi atau luka bakar.
- ▶ **Jangan gunakan set baterai atau perkakas yang rusak atau telah dimodifikasi.** Baterai yang rusak atau telah dimodifikasi dapat menimbulkan kejadian yang tak terduga seperti kebakaran, ledakan, atau risiko cedera.
- ▶ **Jangan meletakkan set baterai atau perkakas di dekat api atau suhu tinggi.** Paparan terhadap api atau suhu di atas 130 °C dapat memicu ledakan.
- ▶ **Ikuti semua petunjuk pengisian daya dan jangan mengisi daya set baterai atau perkakas di luar rentang suhu yang ditentukan dalam petunjuk.** Pengisian daya yang tidak tepat atau di luar rentang suhu yang ditentukan dapat merusak baterai dan meningkatkan risiko kebakaran.

#### Servis

- ▶ **Minta teknisi berkualifikasi untuk servis perkakas listrik dengan hanya menggunakan suku cadang yang identik.** Dengan demikian, hal ini akan memastikan keamanan perkakas listrik.
- ▶ **Jangan pernah melakukan servis pada baterai yang telah rusak.** Servis baterai hanya boleh dilakukan oleh produsen atau penyedia servis resmi.

#### Petunjuk Keselamatan untuk Mesin Bor dan Obeng

##### Petunjuk keselamatan untuk semua pengoperasian

- ▶ **Kenakan pemalut telinga ketika bekerja.** Suara bising alat dapat menyebabkan berkurangnya pendengaran.
- ▶ **Gunakan gagang tambahan.** Kehilangan kendali dapat menyebabkan cedera pribadi.

- ▶ **Pegang perkakas listrik pada permukaan gagang berisolator saat mengoperasikannya, aksesoris pemotong atau pengunci dapat bersentuhan dengan kabel yang tidak terlihat.** Aksesoris pemotong atau pengunci yang bersentuhan dengan kabel yang dialiri listrik dapat menyebabkan bagian logam perkakas listrik yang terbuka dialiri listrik sehingga pengguna dapat tersengat listrik.

##### Petunjuk keselamatan saat menggunakan mata bor panjang

- ▶ **Jangan pernah mengoperasikan alat dengan kecepatan yang lebih tinggi dari nilai kecepatan maksimal mata bor.** Pada kecepatan yang tinggi, mata bor akan membengkok jika berputar secara bebas tanpa menyentuh benda kerja dan dapat menyebabkan cedera terhadap pengguna.
- ▶ **Selalu hidupkan alat bor pada kecepatan rendah dengan ujung mata bor menyentuh benda kerja.** Pada kecepatan yang tinggi, mata bor akan membengkok jika berputar secara bebas tanpa menyentuh benda kerja dan dapat menyebabkan cedera terhadap pengguna.
- ▶ **Tekan hanya pada garis langsung dengan mata bor dan jangan tekan secara berlebihan.** Mata bor dapat membengkok dan menyebabkan kerusakan atau hilang kendali sehingga menyebabkan cedera terhadap pengguna.

##### Petunjuk Keselamatan tambahan

- ▶ **Pegang perkakas listrik dengan kencang.** Saat mengencangkan dan mengendurkan obeng dapat terjadi reaksi torsi yang tinggi sesaat.
- ▶ **Gunakan alat kerja dengan aman.** Benda yang ditahan dalam alat pemegang atau baus lebih aman daripada benda yang dipegang dengan tangan.
- ▶ **Gunakanlah alat detektor logam yang cocok untuk mencari kabel dan pipa yang tidak terlihat atau hubungi perusahaan pengadaan setempat.** Sentuhan dengan kabel-kabel listrik dapat mengakibatkan api dan kontak listrik. Pipa gas yang dirusak dapat mengakibatkan ledakan. Pipa air yang dirusak mengakibatkan barang-barang menjadi rusak.
- ▶ **Sebelum meletakkan perkakas listrik, tunggulah hingga perkakas berhenti berputar.** Alat kerja dapat tersangkut dan menyebabkan perkakas listrik tidak dapat dikendalikan.
- ▶ **Asap dapat keluar apabila terjadi kerusakan atau penggunaan yang tidak tepat pada baterai. Baterai dapat terbakar atau meledak.** Biarkan udara segar mengalir masuk dan kunjungi dokter apabila mengalami gangguan kesehatan. Asap tersebut dapat mengganggu saluran pernafasan.
- ▶ **Jangan membuka baterai.** Ada bahaya terjadinya korsleting.
- ▶ **Baterai dapat rusak akibat benda-benda lancip, seperti jarum, obeng, atau tekanan keras dari luar.** Hal ini dapat menyebabkan terjading hubungan singkat



internal dan baterai dapat terbakar, beresap, meledak, atau mengalami panas berlebih.

- ▶ **Hanya gunakan baterai pada produk yang dibuat oleh produsen.** Hanya dengan cara ini, baterai dapat terlindungi dari kelebihan muatan.



**Lindungi baterai dari panas, misalnya juga dari paparan sinar matahari dalam waktu yang lama, api, kotoran, air dan kelembapan.** Terdapat risiko ledakan dan korsleting.



- ▶ **Segera matikan perkakas listrik jika alat tambahan terkunci. Bersiaplah dengan reaksi tinggi yang menyebabkan sentakan.** Alat tambahan akan terkunci jika perkakas listrik mengalami kelebihan beban atau perkakas bergerak miring pada benda kerja.
- ▶ **Waspada! Ketika menggunakan perkakas listrik dengan Bluetooth®, gangguan dapat muncul pada perangkat dan instalasi lain, pesawat terbang, dan perangkat medis (misalnya alat pacu jantung, alat bantu dengar. Selain itu, cedera pada manusia dan binatang di area sekitar tidak dapat seluruhnya dihindari. Jangan menggunakan alat pengukur dengan Bluetooth® di dekat perangkat medis, pusat pengisian bahan bakar, instalasi kimia, area dengan bahaya ledakan, dan percikan api. Jangan menggunakan perkakas listrik dengan Bluetooth® di dalam pesawat terbang. Hindari pengoperasian di dekat kepala secara langsung dalam waktu yang lama.**

Istilah merek *Bluetooth®* serta gambar simbol (logo) merupakan merek dagang terdaftar dan kepemilikan dari Bluetooth SIG, Inc. Setiap penggunaan istilah merek/gambar simbol ini berada di bawah lisensi Robert Bosch Power Tools GmbH.

## Spesifikasi produk dan performa



**Bacalah semua petunjuk keselamatan dan petunjuk penggunaan.** Kesalahan dalam menjalankan petunjuk keselamatan dan petunjuk penggunaan dapat mengakibatkan kontak listrik, kebakaran, dan/atau luka-luka yang berat.

Perhatikan ilustrasi yang terdapat pada sisi sampul panduan pengoperasian.

### Tujuan penggunaan

Perkakas listrik cocok untuk mengencangkan dan melepaskan baut serta untuk pengeboran pada kayu, logam,

keramik dan bahan sintetis. Selain itu, GSB cocok untuk pengeboran impact pada batu bata, tembok dan batu.

Data dan pengaturan perkakas listrik dapat dikirimkan menggunakan modul *Bluetooth®* Low Energy **GCY 42** yang terpasang dengan menggunakan teknologi nirkabel *Bluetooth®* antara perkakas listrik dan perangkat seluler.

### Ilustrasi komponen

Nomor-nomor dari bagian-bagian perkakas pada gambar sesuai dengan gambar perkakas listrik pada halaman bergambar.

- (1) Dudukan alat kerja
  - (2) Keyless chuck
  - (3) Pembatas kedalaman
  - (4) Gagang tambahan (permukaan genggam berisolator)
  - (5) Baut kupu-kupu untuk pengaturan pembatas kedalaman
  - (6) Ring untuk penyetyelan awal torsi
  - (7) Switch selektor mode pengoperasian
  - (8) Switch pemilih tingkat putaran
  - (9) LED untuk pendeteksian sudut elektronik (EAD)
  - (10) Klip tempat menggantungkan
  - (11) Baterai
  - (12) Tombol pelepas baterai
  - (13) Lampu kerja (User Interface)
  - (14) User Interface
  - (15) Holder mata bor<sup>a)</sup>
  - (16) Switch arah putaran
  - (17) Tombol on/off
  - (18) Gagang (permukaan genggam berisolator)
  - (19) Penutup modul *Bluetooth®* Low Energy **GCY 42**
  - (20) Tombol untuk pendeteksian sudut elektronik (EAD) (User Interface)
  - (21) LED untuk sudut kemiringan yang telah diatur sebelumnya pada pendeteksian sudut elektronik (EAD) (User Interface)
  - (22) LED untuk perkakas listrik (User Interface)
  - (23) LED untuk KickBack Control (User Interface)
  - (24) Tombol untuk KickBack Control (User Interface)
  - (25) Nomor pemesanan gagang tambahan 1 602 025 07Y
- a) **Aksesori yang ada pada gambar atau yang dijelaskan tidak termasuk dalam lingkup pengiriman standar. Semua aksesori yang ada dapat Anda lihat dalam program aksesori kami.**

### Data teknis

Obeng listrik berdaya baterai	GSR 18V-150 C	GSB 18V-150 C
Nomor seri	3 601 JJ5 0..	3 601 JJ5 1..
Tegangan nominal	V=	18
Kecepatan idle <sup>A)</sup>		18

Obeng listrik berdaya baterai		GSR 18V-150 C	GSB 18V-150 C
– Tingkat putaran pertama	min <sup>-1</sup>	0–550	0–550
– Tingkat putaran kedua	min <sup>-1</sup>	0–2 200	0–2 200
Tingkat getaran <sup>A)</sup>	min <sup>-1</sup>	–	0–30 000
Torsi untuk penyekrupan ketat/longgar menurut ISO 5393 (2017) <sup>A)</sup>	Nm	100/84	100/84
Torsi maks. <sup>A)</sup>	Nm	150	150
Ø (diameter) pengeboran maks.			
– Kayu	mm	150	150
– Baja	mm	16	16
– Pengerjaan pada batu bata	mm	–	20
Dudukan alat kerja		1,5–13	1,5–13
Ø (diameter) sekrup maks.	mm	13	13
Berat sesuai dengan EPTA-Procedure 01:2014 <sup>B)</sup>	kg	2,4–3,5	2,5–3,6
Suhu sekitar yang direkomendasikan saat pengisian daya	°C	0 ... +35	0 ... +35
Suhu sekitar yang diizinkan saat pengoperasian dan saat disimpan	°C	–20 ... +50	–20 ... +50
Baterai yang kompatibel		GBA 18V... ProCORE18V...	GBA 18V... ProCORE18V...
Baterai yang direkomendasikan untuk performa penuh		ProCORE18V... ≥ 5,5 Ah	ProCORE18V... ≥ 5,5 Ah
Perangkat pengisian daya yang direkomendasikan		GAL 18... GAX 18... GAL 36...	GAL 18... GAX 18... GAL 36...

A) Diukur pada suhu 20–25 °C dengan baterai **ProCORE18V 8.0Ah**.

B) Diukur dengan **GBA 18V 1.5Ah** dan **GBA 18V 12.0Ah**.

## Cara memasang

- ▶ **Sebelum melakukan semua pekerjaan pada perkakas listrik (misalnya merawat, mengganti alat kerja, dsb.) serta selama transpor dan penyimpanan, keluarkanlah baterai dari perkakas listrik.** Terdapat risiko cedera apabila tombol untuk menghidupkan dan mematikan dioperasikan tanpa sengaja.

### Memasang modul **Bluetooth® Low Energy GCY 42**

Untuk informasi mengenai modul **Bluetooth® Low Energy GCY 42**, baca panduan pengoperasian terkait.

### Mengisi daya baterai

- ▶ **Hanya gunakan pengisi daya yang tercantum pada data teknis.** Hanya pengisi daya ini yang sesuai dengan baterai Li-ion yang digunakan pada perkakas listrik Anda.

**Catatan:** Baterai dikirim dalam keadaan terisi sebagian. Untuk memastikan kinerja penuh baterai, isi penuh daya baterai ke pengisi daya sebelum menggunakannya untuk pertama kali.

Daya baterai li-ion dapat diisi setiap saat tanpa mengurangi masa pakainya. Penghentian proses pengisian daya tidak merusak baterai.

Baterai li-ion terlindung dari pengosongan daya total dengan "Electronic Cell Protection (ECP)". Jika baterai habis, perkakas listrik dimatikan oleh pengaman: Alat sipisan berhenti beroperasi.

- ▶ **Jangan menekan kembali tombol on/off jika perkakas listrik mati secara otomatis.** Baterai dapat rusak.

Perhatikan petunjuk untuk membuang.



### Melepas baterai

Baterai **(11)** memiliki dua sistem pengunci untuk mencegah baterai jatuh jika tombol pelepas baterai **(12)** ditekan secara tidak sengaja. Selama baterai berada di dalam perkakas listrik, baterai ditahan dalamudukannya dengan pegas.

Untuk melepaskan baterai **(11)**, tekan tombol pelepas **(12)** dan keluarkan baterai dari perkakas listrik. **Jangan melepas baterai dengan paksa.**

### Indikator level pengisian daya baterai

LED berwarna hijau dari indikator level pengisian daya baterai menampilkan level pengisian daya baterai. Atas dasar keselamatan, permintaan level pengisian daya baterai hanya dapat dilakukan saat perkakas listrik dalam keadaan berhenti.

Tekan tombol indikator level pengisian daya baterai  atau  untuk menampilkan level pengisian baterai. Hal ini juga dapat dilakukan saat baterai dilepas.

Apabila LED tidak menyala setelah menekan tombol indikator level pengisian daya, terdapat kerusakan pada baterai dan baterai harus diganti.

**Catatan:** Level pengisian daya baterai juga ditampilkan pada User Interface **(14)** (lihat „Display status“, Halaman 79).

#### Tipe baterai GBA 18V...



LED	Kapasitas
Lampu permanen 3× hijau	60–100 %
Lampu permanen 2× hijau	30–60 %
Lampu permanen 1× hijau	5–30 %
Lampu berkedip 1× hijau	0–5 %

#### Tipe baterai ProCORE18V...



LED	Kapasitas
Lampu permanen 5× hijau	80–100 %
Lampu permanen 4× hijau	60–80 %
Lampu permanen 3× hijau	40–60 %
Lampu permanen 2× hijau	20–40 %
Lampu permanen 1× hijau	5–20 %
Lampu berkedip 1× hijau	0–5 %

### Gagang tambahan

- **Gunakan perkakas listrik hanya dengan gagang tambahan (4).**

**Perkakas listrik ini hanya boleh digunakan dengan gagang tambahan dengan nomor pemesanan 1 602 025 07Y.**

- **Pastikan gagang tambahan telah dipasang dengan kencang sebelum memulai semua pengerjaan.**

Kehilangan kendali saat mengoperasikan perkakas listrik dapat menyebabkan cedera. Pastikan gagang tambahan dikencangkan dengan torsi yang sesuai untuk metode pengencangan dan kencangkan gagang tambahan pada perkakas listrik sedemikian rupa sehingga gagang tambahan tidak bergerak di sekeliling atau di sepanjang sumbu pengeboran.

#### Memasang gagang tambahan

Untuk membuka gagang tambahan, putar bagian bawah gagang tambahan **(4)** berlawanan arah jarum jam.

Tarik lagi spacer pada gagang tambahan dan tahan pada posisi tersebut.

Dorong gagang tambahan ke atas chuck bor untuk memasang gagang tambahan ke perkakas listrik.

Kemudian lepaskan spacer .

Selanjutnya, kencangkan lagi bagian bawah gagang tambahan **(4)** dengan memutarinya searah jarum jam.

#### Mengayunkan gagang tambahan

Gagang tambahan **(4)** dapat digerakkan ke arah mana saja sesuai keinginan untuk memungkinkan posisi kerja yang aman dan tidak menyulitkan.

Putar bagian bawah gagang tambahan **(4)** berlawanan arah jarum jam dan ayunkan gagang tambahan **(4)** ke posisi yang diinginkan. Selanjutnya, kencangkan lagi bagian bawah gagang tambahan **(4)** dengan memutarinya searah jarum jam.

#### Mengatur kedalaman pengeboran

Dengan pembatas kedalaman **(3)**, kedalaman lubang **X** yang diinginkan dapat ditetapkan.

Kendurkan baut kupu-kupu untuk pengaturan pembatas kedalaman lubang **(5)** dan pasang pembatas kedalaman pada gagang tambahan **(4)**.

Tarik pembatas kedalaman **(3)** hingga jarak antara ujung mata bor dan ujung pembatas kedalaman **(3)** sesuai dengan kedalaman pengeboran **X** yang diinginkan.

Kencangkan kembali baut kupu-kupu untuk pembatas kedalaman lubang **(5)**.

#### Mengganti alat kerja (lihat gambar A)

- **Sebelum melakukan semua pekerjaan pada perkakas listrik (misalnya merawat, mengganti alat kerja, dsb.) serta selama transpor dan penyimpanan, keluarkanlah baterai dari perkakas listrik.** Terdapat risiko cedera apabila tombol untuk menghidupkan dan mematikan dioperasikan tanpa sengaja.

Spindel bor akan terkunci saat switch on/off **(17)** tidak ditekan. Hal ini memungkinkan penggantian alat-alat kerja di cekaman mata bor secara cepat, nyaman dan mudah.

Buka keyless chuck **(2)** dengan diputar sesuai arah panah **①** hingga alat sisipan dapat dipasang. Pasang alat.

Putar selongsong keyless chuck **(2)** ke arah putaran **②** dengan kuat menggunakan tangan . Chuck bor terkunci secara otomatis.

#### Ekstraksi debu/serbuk

Debu dari bahan-bahan seperti cat yang mengandung timbel (timah hitam), beberapa jenis kayu, bahan mineral dan logam dapat berbahaya bagi kesehatan. Menyentuh atau menghirup debu-debu ini dapat mengakibatkan reaksi alergi dan/atau penyakit saluran pernapasan pada pengguna atau orang yang berada di dekatnya.

Beberapa debu tertentu seperti debu kayu pohon quercus atau pohon fagus silvatica dianggap dapat mengakibatkan penyakit kanker, terutama dalam campuran dengan bahan-bahan tambahan untuk pengolahan kayu (kromat, obat pengawet kayu). Bahan-bahan yang mengandung asbes hanya boleh dikerjakan oleh orang-orang yang ahli.

- Perhatikanlah supaya ada pertukaran udara yang baik di tempat kerja.
- Kami anjurkan Anda memakai masker anti debu dengan filter kelas P2.

Taatilah peraturan-peraturan untuk bahan-bahan yang dikerjakan yang berlaku di negara Anda.

- **Hindari debu yang banyak terkumpul di tempat kerja.**  
Debu dapat tersulut dengan mudah.

## Penggunaan

### Cara penggunaan

#### Memasang baterai

**Catatan:** Menggunakan baterai yang tidak sesuai untuk perkakas listrik dapat menyebabkan kegagalan fungsi atau kerusakan pada perkakas listrik.

Posisikan switch pengubah arah (16) ke tengah untuk mencegah pengaktifan tiba-tiba. Pasang baterai yang sudah terisi (11) ke dalam gagang perkakas hingga terkunci dan terpasang rata pada gagang.

#### Mengatur arah putaran (lihat gambar B)

Arah putaran perkakas listrik dapat diubah dengan switch pengubah arah (16). Hal tersebut tidak dapat dilakukan jika tombol on/off (17) ditekan.

- 🔄 **Putaran ke kanan:** Putar switch arah putaran (16) pada kedua sisi hingga maksimal pada posisi ➡.
- 🔄 **Putaran ke kiri:** Putar switch arah putaran (16) pada kedua sisi hingga maksimal pada posisi ➡.

#### Mengatur mode pengoperasian



##### Pengeboran

Atur switch selektor mode pengoperasian (7) pada simbol "Pengeboran".



##### Penyekrupan

Atur switch selektor mode pengoperasian (7) pada simbol "Penyekrupan".



##### Pengeboran impact (GSB 18V-150 C)

Atur switch selektor mode pengoperasian (7) pada simbol "Pengeboran impact".

#### Mengaktifkan/menonaktifkan

Untuk **menggunakan pertama kali** perkakas listrik, tekan dan tahan tombol on/off (17).

LED (13) akan menyala saat tombol on/off (17) ditekan singkat atau ditekan kuat dan dapat membantu menerangi area kerja saat kondisi cahaya buruk.

Untuk **menonaktifkan** perkakas listrik, lepaskan tombol on/off (17).

#### Menyetel kecepatan

Kecepatan perkakas listrik yang diaktifkan dapat disetel terus-menerus tergantung seberapa kuat tombol on/off (17) ditekan.

Jika tombol on/off (17) ditekan singkat dan tidak terlalu kuat, kecepatan putaran akan menjadi rendah. Tekanan yang lebih besar mengakibatkan kecepatan putaran yang lebih tinggi.

#### Penyetelan awal torsi (berlaku untuk mode pengoperasian Penyekrupan)

Dengan menggunakan ring untuk penyetelan awal torsi (6), torsi yang diperlukan dapat dipilih terlebih dahulu dalam 25 level. Alat sisipan segera berhenti begitu torsi yang telah diatur tercapai.

#### Memilih tingkat putaran secara mekanis

- **Tekan switch pemilih tingkat putaran (8) hanya saat perkakas listrik sedang tidak beroperasi.**

##### Tingkat putaran pertama:

Rentang kecepatan putaran rendah; untuk pengerjaan dengan diameter mata bor yang besar atau untuk penyekrupan.

##### Tingkat putaran kedua:

Rentang kecepatan putaran tinggi; untuk pengerjaan dengan diameter mata bor yang kecil.

- **Selalu geser switch pemilih tingkat putaran hingga maksimal.** Jika tidak, perkakas listrik dapat rusak.

#### Penonaktifan cepat (KickBack Control)



**Penonaktifan cepat (KickBack Control) menawarkan kontrol yang lebih baik pada perkakas listrik dan meningkatkan perlindungan terhadap pengguna**

**dibandingkan dengan perkakas listrik tanpa KickBack Control. Perkakas listrik akan mati jika perkakas listrik berputar di sekitar sumbu bor secara mendadak dan tak terduga.**

Penonaktifan cepat ditampilkan melalui LED (22) yang berkedip merah, lampu kerja (13) yang berkedip serta lampu merah pada LED untuk KickBack Control (23) pada perkakas listrik.

Untuk **mengoperasikan kembali** perkakas listrik, lepaskan tombol on/off dan kemudian tekan kembali.

- **Jika fungsi KickBack Control rusak, perkakas listrik tidak lagi dapat dihidupkan. Hanya lakukan perbaikan perkakas listrik oleh teknisi ahli resmi dan hanya gunakan suku cadang asli.**

Penonaktifan cepat dapat dinonaktifkan pada User Interface (14) melalui tombol (24). Jika perkakas listrik tidak digunakan lebih dari 5 menit atau baterai dilepas, penonaktifan otomatis akan aktif kembali secara otomatis. Status saat ini akan ditampilkan melalui LED untuk KickBack Control (23) pada User Interface (14).

Perhatikan bahwa lampu peringatan tidak dapat terlihat dari semua arah. Lampu peringatan tidak dapat terlihat dengan baik dan jelas di bawah cahaya matahari yang terang.

#### Electronic Angle Detection (EAD)

Sudut kemiringan yang dideteksi oleh perkakas listrik saat bekerja dan ditampilkan kepada pengguna dapat dipilih terlebih dulu menggunakan pendeteksian sudut elektronik (EAD). Hal ini memungkinkan pengeboran atau penyekrupan pada permukaan yang miring dapat dilakukan pada sudut yang tepat. Pendeteksian sudut elektronik (EAD) dikontrol melalui User Interface (14).

Pilih sebuah sudut (45°, 60°, ditetapkan oleh pengguna) pada User Interface (14). **Catatan:** Pada pengaturan pabrik, sudut yang ditetapkan oleh pengguna yakni sebesar 90°. Hal ini dapat disesuaikan melalui aplikasi Bosch.

Untuk mengatur sudut, tekan beberapa kali tombol untuk pendeteksian sudut elektronik (EAD) (20) hingga LED pada sudut kemiringan (21) yang diinginkan mulai berkedip.

Selain LED untuk sudut kemiringan (21) yang diinginkan, LED untuk pendeteksian sudut elektronik (EAD) (9) juga mulai berkedip kuning. Sekarang, atur posisi perkakas listrik pada permukaan yang diinginkan dan tahan sebisa mungkin untuk tetap berada di posisinya. **Catatan:** Jika perkakas listrik tidak dapat diam pada posisinya selama proses pengoperasian awal, proses pengoperasian awal akan berakhir secara otomatis setelah 10 detik dan nilai yang diatur terakhir kali akan dibuat lagi.

Perkakas listrik memulai proses pengoperasian awal setelah posisi diatur. Selama proses pengoperasian awal, permukaan yang diinginkan akan dipelajari. Proses pengoperasian awal telah selesai apabila LED untuk pendeteksian sudut elektronik (EAD) (9) menyala hijau selama sekitar 1 detik dan kemudian padam serta LED untuk sudut kemiringan (21) terus menyala.

Lepaskan perkakas listrik dari permukaan. Arahkan perkakas listrik pada sudut kemiringan yang diinginkan ke permukaan yang telah dipelajari. LED (22) menyala kuning apabila sudut kemiringan berada pada rentang sudut +/- 10° dari sudut kemiringan yang telah diatur sebelumnya.

Jika sudut kemiringan sebesar +/- 3° ke sudut kemiringan yang telah diatur terlebih dahulu tercapai, LED (9) akan menyala hijau. Untuk mengakhiri pendeteksian sudut elektronik (EAD), tekan tombol pendeteksian sudut elektronik (EAD) (20) beberapa saat hingga tidak ada lagi LED untuk pemilihan sudut (21) yang menyala (45° → 60° → ditentukan oleh pengguna → Off). Permukaan referensi serta sudut yang diatur akan tetap terjaga meskipun baterai diganti atau jika perkakas listrik dihidupkan lagi dari mode tidur.

#### User Interface (lihat gambar D)

User Interface (14) berfungsi untuk mengatur dan memeriksa sudut kemiringan berkaitan dengan pendeteksian sudut elektronik (EAD), untuk menonaktifkan penonaktifan cepat (KickBack Control), serta untuk menampilkan status perkakas listrik.

#### Display status

Indikator status perkakas listrik (22)	Arti/penyebab	Solusi
Hijau	Status OK	–
Kuning	Suhu kritis tercapai, baterai hampir habis daya atau KickBack Control dinonaktifkan	Biarkan perkakas listrik beroperasi pada posisi idle dan biarkan menjadi dingin, segera ganti atau isi daya baterai, atau tekan tombol KickBack
Menyala merah	Perkakas listrik terlalu panas atau baterai kosong	Biarkan perkakas listrik menjadi dingin atau ganti atau isi daya baterai
berkedip merah	Fitur kickback stop telah terpicu	Matikan perkakas listrik dan hidupkan kembali
Berkedip biru	Perkakas listrik terhubung dengan perangkat seluler atau pengaturan dikirim	–

Indikator status perkakas listrik (9)	Arti/penyebab
Hijau	Sudut yang dipilih telah tercapai dengan toleransi sebesar +/-3° ke permukaan yang dipelajari <sup>A)</sup>
Kuning	Sudut yang dipilih telah tercapai dengan toleransi sebesar +/-10° ke permukaan yang dipelajari <sup>A)</sup>
Berkedip kuning, kemudian menyala hijau singkat	Permukaan dipelajari
Berkedip kuning, kemudian menyala kuning singkat	Proses pengoperasian awal tidak dilakukan dengan benar

A) Akurasi pengukuran yang pasti dapat bervariasi karena kondisi yang berbeda-beda (misalnya kesalahan pengukuran dari perangkat pada sekurup karena adanya celah di antara mata sekurup dan/atau adaptor; kerataan permukaan yang akan dijadikan acuan; ...)

#### Fungsi konektivitas

Berkaitan dengan modul *Bluetooth*® Low Energy **GCY 42**, fungsi konektivitas berikut tersedia untuk perkakas listrik:

- Pendaftaran dan personalisasi
- Cek status, tampilan pesan peringatan
- Informasi umum dan pengaturan

– Perawatan

Untuk informasi mengenai modul *Bluetooth*® Low Energy **GCY 42**, baca panduan pengoperasian terkait.

## Petunjuk pengoperasian

- ▶ **Perkakas listrik dengan modul Bluetooth® Low Energy GCY 42 yang terpasang dilengkapi dengan antarmuka nirkabel. Perhatikan batasan pengoperasian lokal, misalnya dalam pesawat terbang atau di rumah sakit.**
- ▶ **Pasang perkakas listrik pada sekrup hanya saat dalam keadaan mati.** Alat sisipan yang berputar dapat tergelincir.

Gunakan alat bantu untuk melepas mata obeng atau dudukkan bit universal.

### Jepitan tempat menggantungkan

Dengan jepitan tempat menggantungkan (10), perkakas listrik dapat digantungkan misalnya pada tali pengikat. Dengan demikian Anda tidak perlu memegang perkakas listrik dan perkakas listrik tetap berada di dekat Anda.

## Perawatan dan servis

### Perawatan dan pembersihan

- ▶ **Sebelum melakukan semua pekerjaan pada perkakas listrik (misalnya merawat, mengganti alat kerja, dsb.) serta selama transpor dan penyimpanan, keluarkanlah baterai dari perkakas listrik.** Terdapat risiko cedera apabila tombol untuk menghidupkan dan mematikan dioperasikan tanpa sengaja.
- ▶ **Perkakas listrik dan lubang ventilasi harus selalu dibersihkan agar perkakas dapat digunakan dengan baik dan aman.**

### Layanan pelanggan dan konsultasi penggunaan

Layanan pelanggan Bosch menjawab semua pertanyaan Anda tentang reparasi dan perawatan serta tentang suku cadang produk ini. Gambaran teknis (exploded view) dan informasi mengenai suku cadang dapat ditemukan di: [www.bosch-pt.com](http://www.bosch-pt.com)

Tim konsultasi penggunaan Bosch akan membantu Anda menjawab pertanyaan seputar produk kami beserta aksesorinya.

Jika Anda hendak menanyakan sesuatu atau memesan suku cadang, selalu sebutkan nomor model yang terdiri dari 10 angka dan tercantum pada label tipe produk.

#### Indonesia

PT Robert Bosch  
Palma Tower 10th Floor  
Jalan RA Kartini II-S Kaveling 6  
Pondok Pinang, Kebayoran Lama  
Jakarta Selatan 12310  
Tel.: (021) 3005 5800  
Fax: (021) 3005 5801  
E-Mail: [boschpowertools@id.bosch.com](mailto:boschpowertools@id.bosch.com)  
[www.bosch-pt.co.id](http://www.bosch-pt.co.id)

#### Alamat layanan lainnya dapat ditemukan di:

[www.bosch-pt.com/serviceaddresses](http://www.bosch-pt.com/serviceaddresses)

## Transpor

Pada baterai-baterai li-ion yang digunakan diterapkan persyaratan terkait peraturan-peraturan tentang bahan-bahan yang berbahaya. Baterai-baterai dapat diangkut oleh penggunaanya tanpa pembatasan lebih lanjut di jalan.

Pada pengiriman oleh pihak ketiga (misalnya transportasi udara atau perusahaan ekspedisi) harus ditaati syarat-syarat terkait kemasan dan pemberian tanda. Dalam hal ini, diperlukan konsultasi dengan ahli bahan-bahan berbahaya saat mengatur barang pengiriman.

Kirimkan baterai hanya jika housing-nya tidak rusak. Tutup bagian-bagian yang terbuka dan kemas baterai agar tidak bergerak-gerak di dalam kemasan. Taatilah peraturan-peraturan nasional lainnya yang mungkin lebih rinci yang berlaku di negara Anda.

### Cara membuang



Perkakas listrik, baterai, aksesoris dan kemasan harus didaur ulang dengan cara yang ramah lingkungan.



Jangan membuang perkakas listrik, aki/baterai ke dalam sampah rumah tangga!

### Baterai:

#### Li-ion:

Perhatikanlah petunjuk-petunjuk dalam bab Transpor (lihat „Transpor“, Halaman 80).

## Tiếng Việt

### Hướng dẫn an toàn

#### Hướng dẫn an toàn chung cho dụng cụ điện

**⚠ CẢNH BÁO** **Hãy đọc toàn bộ các cảnh báo an toàn, hướng dẫn, hình ảnh và thông số kỹ thuật được cung cấp cho dụng cụ điện cầm tay này.** Không tuân thủ mọi hướng dẫn được liệt kê dưới đây có thể bị điện giật, gây cháy và /hay bị thương tật nghiêm trọng. **Hãy giữ tất cả tài liệu về cảnh báo và hướng dẫn để tham khảo về sau.**

Thuật ngữ "dụng cụ điện cầm tay" trong phần cảnh báo là đề cập đến sự sử dụng dụng cụ điện cầm tay của bạn, loại sử dụng điện nguồn (có dây cắm điện) hay vận hành bằng pin (không dây cắm điện).

#### Khu vực làm việc an toàn

- ▶ **Giữ nơi làm việc sạch và đủ ánh sáng.** Nơi làm việc bừa bộn và tối tăm dễ gây ra tai nạn.



- ▶ **Không vận hành dụng cụ điện cầm tay trong môi trường dễ gây nổ, chẳng hạn như nơi có chất lỏng dễ cháy, khí đốt hay rác.** Dụng cụ điện cầm tay tạo ra các tia lửa nên có thể làm rác bén cháy hay bốc khói.
- ▶ **Không để trẻ em hay người đến xem đứng gần khi vận hành dụng cụ điện cầm tay.** Sự phân tâm có thể gây ra sự mất điều khiển.

#### An toàn về điện

- ▶ **Phích cắm của dụng cụ điện cầm tay phải thích hợp với ổ cắm. Không bao giờ được cải biến lại phích cắm dưới mọi hình thức. Không được sử dụng phích tiếp hợp nối tiếp đất (dây mát).** Phích cắm nguyên bản và ổ cắm đúng loại sẽ làm giảm nguy cơ bị điện giật.
- ▶ **Tránh không để thân thể tiếp xúc với đất hay các vật có bề mặt tiếp đất như đường ống, lò sưởi, hàng rào và tủ lạnh.** Có nhiều nguy cơ bị điện giật hơn nếu cơ thể bạn bị tiếp hay nối đất.
- ▶ **Không được để dụng cụ điện cầm tay ngoài mưa hay ở tình trạng ẩm ướt.** Nước vào máy sẽ làm tăng nguy cơ bị điện giật.
- ▶ **Không được lạm dụng dây dẫn điện.** Không bao giờ được nắm dây dẫn để xách, kéo hay rút phích cắm dụng cụ điện cầm tay. Không để dây gần nơi có nhiệt độ cao, dầu nhớt, vật nhọn bén và bộ phận chuyển động. Làm hỏng hay cuộn rối dây dẫn làm tăng nguy cơ bị điện giật.
- ▶ **Khi sử dụng dụng cụ điện cầm tay ngoài trời, dùng dây nối thích hợp cho việc sử dụng ngoài trời.** Sử dụng dây nối thích hợp cho việc sử dụng ngoài trời làm giảm nguy cơ bị điện giật.
- ▶ **Nếu việc sử dụng dụng cụ điện cầm tay ở nơi ẩm ướt là không thể tránh được, dùng thiết bị ngắt mạch tự động (RCD) bảo vệ nguồn.** Sử dụng thiết bị ngắt mạch tự động RCD làm giảm nguy cơ bị điện giật.

#### An toàn cá nhân

- ▶ **Hãy tỉnh táo, biết rõ mình đang làm gì và hãy sử dụng ý thức khi vận hành dụng cụ điện cầm tay.** Không sử dụng dụng cụ điện cầm tay khi đang mệt mỏi hay đang bị tác động do chất gây nghiện, rượu hay được phẩm gây ra. Một thoáng mất tập trung khi đang vận hành dụng cụ điện cầm tay có thể gây thương tích nghiêm trọng cho bản thân.
- ▶ **Sử dụng trang bị bảo hộ cá nhân.** Luôn luôn đeo kính bảo vệ mắt. Trang bị bảo hộ như khẩu trang, giày chống trượt, nón bảo hộ, hay dụng cụ bảo vệ tai khi được sử dụng đúng nơi đúng chỗ sẽ làm giảm nguy cơ thương tật cho bản thân.
- ▶ **Phòng tránh máy khởi động bất ngờ.** Bảo đảm công tắc máy ở vị trí tắt trước khi cắm vào nguồn điện và/hay lắp pin vào, khi nhắc máy lên hay khi mang xách máy. Ngáng ngón

tay vào công tắc máy để xách hay kích hoạt dụng cụ điện cầm tay khi công tắc ở vị trí mở dễ dẫn đến tai nạn.

- ▶ **Lấy mọi chìa hay khóa điều chỉnh ra trước khi mở điện dụng cụ điện cầm tay.** Khóa hay chìa còn gắn dính vào bộ phận quay của dụng cụ điện cầm tay có thể gây thương tích cho bản thân.
- ▶ **Không rướn người. Luôn luôn giữ tư thế đứng thích hợp và thăng bằng.** Điều này tạo cho việc điều khiển dụng cụ điện cầm tay tốt hơn trong mọi tình huống bất ngờ.
- ▶ **Trang phục thích hợp. Không mặc quần áo rộng lung tung hay mang trang sức. Giữ tóc và quần áo xa khỏi các bộ phận chuyển động.** Quần áo rộng lung tung, đồ trang sức hay tóc dài có thể bị cuốn vào các bộ phận chuyển động.
- ▶ **Nếu có các thiết bị đi kèm để nối máy hút bụi và các phụ kiện khác, bảo đảm các thiết bị này được nối và sử dụng tốt.** Việc sử dụng các thiết bị gom hút bụi có thể làm giảm các độc hại liên quan đến bụi gây ra.
- ▶ **Không để thói quen do sử dụng thường xuyên dụng cụ khiến bạn trở nên chủ quan và bỏ qua các quy định an toàn dụng cụ.** Một hành vi bất cẩn có thể gây ra thương tích nghiêm trọng chỉ trong tích tắc.

#### Sử dụng và bảo dưỡng dụng cụ điện cầm tay

- ▶ **Không được ép máy. Sử dụng dụng cụ điện cầm tay đúng loại theo đúng ứng dụng của bạn.** Dụng cụ điện cầm tay đúng chức năng sẽ làm việc tốt và an toàn hơn theo đúng tiến độ mà máy được thiết kế.
- ▶ **Không sử dụng dụng cụ điện cầm tay nếu như công tắc không tắt và mở được.** Bất kỳ dụng cụ điện cầm tay nào mà không thể điều khiển được bằng công tắc là nguy hiểm và phải được sửa chữa.
- ▶ **Rút phích cắm ra khỏi nguồn điện và/hay pin ra khỏi dụng cụ điện cầm tay nếu có thể tháo được, trước khi tiến hành bất kỳ điều chỉnh nào, thay phụ kiện, hay cất dụng cụ điện cầm tay.** Các biện pháp ngăn ngừa như vậy làm giảm nguy cơ dụng cụ điện cầm tay khởi động bất ngờ.
- ▶ **Cất giữ dụng cụ điện cầm tay không dùng tới nơi trẻ em không lấy được và không cho người chưa từng biết dụng cụ điện cầm tay hay các hướng dẫn này sử dụng dụng cụ điện cầm tay.** Dụng cụ điện cầm tay nguy hiểm khi ở trong tay người chưa được chỉ cách sử dụng.
- ▶ **Bảo quản dụng cụ điện cầm tay và các phụ kiện.** Kiểm tra xem các bộ phận chuyển động có bị sai lệch hay kẹt, các bộ phận bị rạn nứt và các tình trạng khác có thể ảnh hưởng đến

sự vận hành của máy. Nếu bị hư hỏng, phải sửa chữa máy trước khi sử dụng. Nhiều tai nạn xảy ra do bảo quản dụng cụ điện cầm tay tồi.

- ▶ **Giữ các dụng cụ cất bên và sạch.** Bảo quản đúng cách các dụng cụ cất có cạnh cắt bén làm giảm khả năng bị kẹt và dễ điều khiển hơn.
- ▶ **Sử dụng dụng cụ điện cầm tay, phụ kiện, đầu cài v. v., đúng theo các chỉ dẫn này, hãy lưu ý đến điều kiện làm việc và công việc phải thực hiện.** Sự sử dụng dụng cụ điện cầm tay khác với mục đích thiết kế có thể tạo nên tình huống nguy hiểm.
- ▶ **Giữ tay cầm và bề mặt nắm luôn khô ráo, sạch sẽ và không dính dầu mỡ.** Tay cầm và bề mặt nắm trơn trượt không đem lại thao tác an toàn và kiểm soát dụng cụ trong các tình huống bất ngờ.

#### Sử dụng và bảo quản dụng cụ dùng pin

- ▶ **Chỉ được sạc pin lại với bộ nạp điện do nhà sản xuất chỉ định.** Bộ nạp điện thích hợp cho một loại pin có thể gây nguy cơ cháy khi sử dụng cho một loại pin khác.
- ▶ **Chỉ sử dụng dụng cụ điện cầm tay với loại pin được thiết kế đặc biệt dành riêng cho máy.** Sử dụng bất cứ loại pin khác có thể dẫn đến thương tật hay cháy.
- ▶ **Khi không sử dụng pin, để cách xa các vật bằng kim loại như kẹp giấy, tiền xu, chìa khoá, đinh, ốc vít hay các đồ vật kim loại nhỏ khác, thứ có thể tạo sự nối tiếp từ một đầu cực với một đầu cực khác.** Sự chập mạch của các đầu cực với nhau có thể gây bóng hay cháy.
- ▶ **Bảo quản ở tình trạng tối, dung dịch từ pin có thể tứa ra; tránh tiếp xúc.** Nếu vô tình chạm phải, hãy xối nước để rửa. Nếu dung dịch vào mắt, cần thêm sự hỗ trợ của y tế. Dung dịch tiết ra từ pin có thể gây ngứa hay bóng.
- ▶ **Không được sử dụng bộ pin hoặc dụng cụ đã bị hư hại hoặc bị thay đổi.** Pin hỏng hoặc bị thay đổi có thể gây ra những tác động không lường trước được như cháy nổ hoặc nguy cơ thương tích.
- ▶ **Không đặt bộ pin hoặc dụng cụ ở gần lửa hoặc nơi quá nhiệt.** Tiếp xúc với lửa hoặc nhiệt độ cao trên 130°C có thể gây nổ.
- ▶ **Tuân thủ tất cả các hướng dẫn nạp và không nạp bộ pin hay dụng cụ ở bên ngoài phạm vi nhiệt độ đã được quy định trong các hướng dẫn.** Nạp không đúng cách hoặc ở nhiệt độ ngoài phạm vi nạp đã quy định có thể làm hư hại pin và gia tăng nguy cơ cháy.

#### Bảo dưỡng

- ▶ **Đưa dụng cụ điện cầm tay của bạn đến thợ chuyên môn để bảo dưỡng, chỉ sử dụng phụ tùng đúng chủng loại để thay.** Điều này sẽ đảm bảo sự an toàn của máy được giữ nguyên.

- ▶ **Không bao giờ sửa chữa các bộ pin đã hư hại.** Chỉ cho phép nhà sản xuất hoặc các nhà cung cấp dịch vụ có ủy quyền thực hiện dịch vụ sửa chữa cho các bộ pin.

#### Cảnh Báo An Toàn cho Máy Khoan và Bất Vít

##### Hướng dẫn an toàn cho mọi hoạt động

- ▶ **Đeo bảo vệ tai khi khoan động lực.** Tiếp xúc với tiếng ồn có thể làm mất khả năng nghe.
- ▶ **Sử dụng tay nắm phụ.** Mất điều khiển có thể gây ra thương tích cho người.
- ▶ **Chỉ cầm dụng cụ điện tại các bề mặt cầm nắm có cách điện, khi thực hiện một thao tác tại vị trí mà phụ kiện cắt hoặc dụng cụ kẹp có thể tiếp xúc với dây điện ngầm.** Phụ kiện cắt hoặc dụng cụ kẹp tiếp xúc với dây "có điện" có thể làm cho các phần kim loại hở của dụng cụ điện cầm tay "có điện" và có thể gây ra điện giật cho người vận hành.

##### Hướng dẫn an toàn khi sử dụng các mũi khoan dài

- ▶ **Không vận hành ở tốc độ cao hơn tốc độ tối đa cho phép của mũi khoan.** Ở tốc độ cao hơn, mũi khoan có thể bị cong nếu cho phép xoay tự do mà không cho tiếp xúc với phôi gia công, dẫn đến thương tích cho người.
- ▶ **Luôn khởi động khoan ở tốc độ thấp và với đầu mũi khoan tiếp xúc với phôi gia công.** Ở tốc độ cao hơn, mũi khoan có thể bị cong nếu cho phép xoay tự do mà không cho tiếp xúc với phôi gia công, dẫn đến thương tích cho người.
- ▶ **Chỉ dùng áp lực vào đường trực tiếp bằng mũi khoan và không dùng áp lực dư.** Các mũi khoan có thể cong, gãy ngắt hoặc mất kiểm soát, dẫn đến thương tích cho người.

##### Các cảnh báo phụ thêm

- ▶ **Giữ chặt dụng cụ điện.** Khi siết chặt và rời lỏng các vít, những mô-men phản ứng cao có thể xuất hiện trong thời gian ngắn.
- ▶ **Kẹp chặt vật gia công.** Vật gia công được kẹp bằng một thiết bị kẹp hay bằng ê-tô thì vững chắc hơn giữ bằng tay.
- ▶ **Dùng thiết bị dò tìm thích hợp để xác định nếu có các công trình công cộng lắp đặt ngầm trong khu vực làm việc hay liên hệ với Cty công trình công cộng địa phương để nhờ hỗ trợ.** Dụng cụ chạm đường dẫn điện có thể gây ra hỏa hoạn và điện giật. Làm hư hại đường dẫn khí ga có thể gây nổ. Làm thủng ống dẫn nước có thể làm hư hại tài sản hay có thể gây ra điện giật.
- ▶ **Luôn luôn đợi cho máy hoàn toàn ngừng hẳn trước khi đặt xuống.** Dụng cụ lắp vào máy có thể bị kẹp chặt dẫn đến việc dụng cụ điện cầm tay bị mất điều khiển.

- ▶ **Trong trường hợp pin bị hỏng hay sử dụng sai cách, hơi nước có thể bốc ra. Pin có thể cháy hoặc nổ.** Hãy làm cho thông thoáng khí và trong trường hợp bị đau phải nhờ y tế chữa trị. Hơi nước có thể gây ngứa hệ hô hấp.
- ▶ **Không được tháo pin ra.** Nguy cơ bị chập mạch.
- ▶ **Pin có thể bị hư hại bởi các vật dụng nhọn như đinh hay tuốc-nơ-vít hoặc bởi các tác động lực từ bên ngoài.** Nó có thể dẫn tới đoản mạch nội bộ và làm pin bị cháy, bốc khói, phát nổ hoặc quá nóng.
- ▶ **Chỉ sử dụng pin trong các sản phẩm của nhà sản xuất.** Chỉ bằng cách này, pin sẽ được bảo vệ tránh nguy cơ quá tải.



**Bảo vệ pin không để bị làm nóng, ví dụ, chống để lâu dài dưới ánh nắng gay gắt, lửa, chất bẩn, nước, và sự ẩm ướt.** Có nguy cơ nổ và chập mạch.



- ▶ **Tắt dụng cụ điện ngay nếu phụ tùng bị chặn.** Hãy chuẩn bị cho những mô-men phản ứng cao, mà gây ra sự dội ngược. Phụ tùng bị chặn, nếu dụng cụ điện bị quá tải hoặc bị kẹt trong phiá gia công cần gia công.
- ▶ **Cẩn thận! Nếu sử dụng dụng cụ điện với công Bluetooth® có thể gây nhiều tác dụng cụ, thiết bị khác cũng như máy bay và dụng cụ y tế (ví dụ: máy tạo nhịp tim, máy trợ thính).** Và cũng không thể loại trừ hoàn toàn những tổn hại cho người và động vật ở môi trường trực diện xung quanh. Không sử dụng dụng cụ điện có kết nối Bluetooth® ở gần những thiết bị y tế, trạm xăng, cơ sở hóa học, các khu vực có nguy cơ gây nổ và các khu vực cháy nổ. Không sử dụng dụng cụ điện có kết nối Bluetooth® trên máy bay. Tránh để máy hoạt động gần cơ thể trong thời gian dài.

Biểu tượng chữ Bluetooth® cũng như biểu tượng ảnh (các logo) do công ty cổ phần Bluetooth SIG đăng ký nhãn hiệu và sở hữu. Công ty trách nhiệm hữu hạn Robert Bosch Power Tools GmbH đã được cấp phép để sử dụng những biểu tượng chữ/biểu tượng ảnh này với sản phẩm của mình.

## Mô Tả Sản Phẩm và Đặc Tính Kỹ Thuật



**Đọc kỹ mọi cảnh báo an toàn và mọi hướng dẫn.** Không tuân thủ mọi cảnh báo và hướng dẫn được liệt kê dưới đây có thể bị điện giật, gây cháy và / hay bị thương tật nghiêm trọng.

Xin lưu ý các hình minh hoạt trong phần trước của hướng dẫn vận hành.

### Sử dụng đúng cách

Máy được cung cấp dành cho mục đích vận vào và tháo các vít và đế khoan trên các chất liệu gỗ, kim loại, gốm và nhựa. Ngoài ra, GSB còn phù hợp với khoan xung động ngói, công trình xây gạch và đá. Khi Bluetooth® Low Energy Module được sử dụng, dữ liệu và các cài đặt của dụng cụ điện có thể được truyền đi giữa dụng cụ điện và một thiết bị đầu cuối di động GCY 42 bằng công nghệ sóng vô tuyến Bluetooth®.

### Các bộ phận được minh họa

Sự đánh số các biểu trưng của sản phẩm là để tham khảo hình minh họa của máy trên trang hình ảnh.

- (1) Phần lắp dụng cụ
- (2) Đầu cặp mũi khoan không chia
- (3) Ổ định độ sâu
- (4) Tay nắm phụ (có bề mặt nắm cách điện)
- (5) Bu-long tai hồng điều chỉnh cỡ chặn độ sâu
- (6) Vòng điều chỉnh chọn trước mô-men xoắn
- (7) Chế độ vận hành-Công tắc chọn
- (8) Công tắc chọn số
- (9) LED cho hệ thống dò góc điện tử (EAD)
- (10) Móc cài dây thắt lưng
- (11) Pin
- (12) Nút tháo pin
- (13) Đèn làm việc (User Interface)
- (14) Giao diện người dùng
- (15) Ổng cặp mũi khoan<sup>a)</sup>
- (16) Gạc vận chuyển đổi chiều quay
- (17) Công tắc Tắt/Mở
- (18) Tay nắm (bề mặt nắm cách điện)
- (19) Nắp Bluetooth® Low Energy Module GCY 42
- (20) Nút hệ thống dò góc điện tử (EAD) (User Interface)
- (21) LED cho góc nghiêng mặc định của hệ thống dò góc điện tử (EAD) (User Interface)
- (22) LED cho dụng cụ điện (User Interface)
- (23) LED cho KickBack Control (User Interface)
- (24) Nút cho KickBack Control (User Interface)
- (25) Mã đặt hàng tay cầm phụ 1 602 025 07Y
  - a) **Phụ tùng được trình bày hay mô tả không phải là một phần của tiêu chuẩn hàng hóa được giao kèm theo sản phẩm. Bạn có thể tham khảo tổng thể các loại phụ tùng, phụ kiện trong chương trình phụ tùng của chúng tôi.**

## Thông số kỹ thuật

Máy bắt vít pin		GSR 18V-150 C	GSB 18V-150 C
Mã số máy		<b>3 601 JJ5 0..</b>	<b>3 601 JJ5 1..</b>
Điện thế danh định	V=	18	18
Tốc độ không tải <sup>A)</sup>			
– Số 1	min <sup>-1</sup>	0–550	0–550
– Số 2	min <sup>-1</sup>	0–2 200	0–2 200
Tần suất đập <sup>A)</sup>	min <sup>-1</sup>	–	0–30 000
Mô-men xoắn ứng dụng cho việc bắt vít vào vật mềm/cứng dựa theo ISO 5393 (2017) <sup>A)</sup>	Nm	100/84	100/84
Mô-men xoắn tối đa <sup>A)</sup>	Nm	150	150
Ø lỗ khoan tối đa			
– Gỗ	mm	150	150
– Thép	mm	16	16
– Công trình xây gạch	mm	–	20
Phần lắp dụng cụ		1,5–13	1,5–13
Ø vít máy tối đa	mm	13	13
Trọng lượng theo EPTA-Procedure 01:2014 <sup>B)</sup>	kg	2,4–3,5	2,5–3,6
Nhiệt độ môi trường được khuyến nghị khi sạc	°C	0 ... +35	0 ... +35
Nhiệt độ môi trường cho phép trong quá trình vận hành và trong quá trình lưu trữ	°C	–20 ... +50	–20 ... +50
Pin tương thích		GBA 18V... ProCORE18V...	GBA 18V... ProCORE18V...
Pin được khuyến dùng cho công suất tối đa		ProCORE18V... ≥ 5,5 Ah	ProCORE18V... ≥ 5,5 Ah
Thiết bị nạp được giới thiệu		GAL 18... GAX 18... GAL 36...	GAL 18... GAX 18... GAL 36...

A) Được đo ở 20–25 °C với pin **ProCORE18V 8.0Ah**.

B) Đã đo với **GBA 18V 1.5Ah** và **GBA 18V 12.0Ah**.

## Sự lắp vào

- ▶ **Trước khi tiến hành bất cứ công việc gì với máy (ví dụ bảo dưỡng, thay dụng cụ v.v.) cũng như khi vận chuyển hay lưu kho, tháo pin ra khỏi dụng cụ điện.** Có nguy cơ gây thương tích khi vô tình làm kích hoạt công tắc Tắt/Mở.

### Hãy lắp **Bluetooth® Low Energy Module GCY 42**

Để biết thông tin về **Bluetooth® Low Energy Module GCY 42**, hãy đọc hướng dẫn vận hành đi kèm.

### Tháo Pin

- ▶ **Chỉ sử dụng bộ sạc được đề cập trong dữ liệu kỹ thuật.** Chỉ những bộ sạc này phù hợp cho dụng cụ điện cầm tay của bạn có sử dụng pin Li-Ion.

**Hướng dẫn:** Pin đã được sạc một phần. Để bảo đảm đầy đủ điện dung, nạp điện hoàn toàn lại cho pin trong bộ nạp điện pin trước khi sử dụng cho lần đầu tiên.

Pin Li-Ion hợp khối có thể nạp điện bất cứ lúc nào mà không làm giảm tuổi thọ của pin. Sự gián đoạn trong quá trình nạp điện không làm hư hại pin hợp khối.

Pin Li-Ion được bảo vệ ngăn sự phóng điện quá lớn nhờ vào "Electronic Cell Protection (ECP)". Nếu pin bị phóng điện, dụng cụ điện cầm tay sẽ được ngắt bởi một mạch bảo vệ: Dụng cụ điện không chuyển động nữa.

- ▶ **Có nguy cơ gây thương tích khi vô tình làm kích hoạt công tắc Tắt/Mở.** Pin có thể bị hỏng. Quy trình hoạt động được chia ra làm hai giai đoạn.



### Tháo pin ra

Pin (**11**) có hai mức khóa, có nhiệm vụ ngăn ngừa pin bị rơi ra do vô ý bấm phải nút tháo pin (**12**). Cứ khi nào pin còn được lắp trong dụng cụ điện, nó vẫn được giữ nguyên vị trí nhờ vào một lò xo.

Để tháo pin (11) bạn hãy ấn nút mở (12) và đẩy pin ra khỏi dụng cụ điện cầm tay. **Không dùng sức.**

### Đèn báo trạng thái nạp pin

Các đèn LED màu xanh của màn hình hiển thị tình trạng sạc pin chỉ ra tình trạng sạc của pin. Vì lý do an toàn, ta chỉ có thể kiểm tra trạng thái của tình trạng nạp điện khi máy đã ngừng hoạt động hoàn toàn.

Để hiển thị tình trạng nạp, bạn hãy nhấn nút để hiển thị mức sạc  hoặc . Điều này cũng có thể thực hiện khi ắc quy được tháo ra.

Đèn LED không sáng sau khi nhấn nút để hiển thị mức sạc có nghĩa là pin bị hỏng và phải được thay thế.

**Lưu ý:** Mức sạc pin cũng được hiển thị trên giao diện người dùng (14) (xem „Hiển thị trạng thái“, Trang 87).

#### Kiểu pin GBA 18V...



Đèn LED	Điện dung
Đèn sáng liên tục 3× xanh lục	60–100 %
Đèn sáng liên tục 2× xanh lục	30–60 %
Đèn sáng liên tục 1× xanh lục	5–30 %
Đèn xi nhan 1× xanh lục	0–5 %

#### Kiểu pin ProCORE18V...



Đèn LED	Điện dung
Đèn sáng liên tục 5× xanh lục	80–100 %
Đèn sáng liên tục 4× xanh lục	60–80 %
Đèn sáng liên tục 3× xanh lục	40–60 %
Đèn sáng liên tục 2× xanh lục	20–40 %
Đèn sáng liên tục 1× xanh lục	5–20 %
Đèn xi nhan 1× xanh lục	0–5 %

### Tay nắm phụ

- **Chỉ vận hành máy của bạn khi đã gắn tay nắm phụ (4).**

**Chỉ được dùng dụng cụ điện này với tay cầm phụ có mã đặt hàng 1 602 025 07Y.**

- **Trước tất cả công việc hãy chắc chắn rằng tay cầm phụ đã được lắp chặt.** Sự mất điều khiển có thể gây thương tích cho bản thân. Đảm bảo rằng tay nắm phụ được siết chặt bằng mô-men xoắn phù hợp với phương pháp gắn chặt; gắn nó vào dụng cụ điện sao cho không thể di chuyển tay nắm phụ xung quanh hoặc dọc theo trục khoan.

### Lắp tay nắm phụ

Để mở tay cầm bổ sung, hãy xoay phần báng dưới của tay cầm bổ sung (4) ngược chiều kim đồng hồ. Kéo vòng đệm của tay cầm bổ sung lùi lại và giữ nó ở vị trí này.

Đẩy tay cầm bổ sung qua đầu cặp mũi khoan để gắn tay cầm bổ sung vào dụng cụ điện.

Sau đó tháo vòng đệm ra.

Sau đó, vặn chặt lại tay cầm phía dưới của tay nắm phụ (4) theo chiều kim đồng hồ.

### Xoay tay nắm phụ

Bạn có thể xoay tay nắm phụ (4) tùy ý, để có tư thế làm việc an toàn và ít mỏi.

Xoay phần tay cầm dưới của tay nắm phụ (4) ngược chiều kim đồng hồ và xoay tay nắm phụ (4) vào vị trí mong muốn. Sau đó xoay mẫu tay cầm dưới của tay cầm phụ (4) theo chiều kim đồng hồ để siết chặt.

### Điều chỉnh Cỡ Sâu Khoan

Nhờ chốt chặn độ sâu (3), bạn có thể xác định được độ sâu lỗ khoan X mong muốn.

Hãy nới lỏng bu-lông tại hồng điều chỉnh cỡ định độ sâu (5) và điều chỉnh cỡ định độ sâu trên tay nắm phụ (4).

Kéo chốt chặn độ sâu (3) ra xa sao cho khoảng cách giữa mũi khoan và đầu chốt chặn độ sâu (3) phù hợp với độ sâu lỗ khoan mong muốn X.

Siết chặt lại vít tại hồng điều chỉnh cỡ định độ sâu (5).

### Thay Dụng Cụ (xem Hình A)

- **Trước khi tiến hành bất cứ công việc gì với máy (ví dụ bảo dưỡng, thay dụng cụ v.v..) cũng như khi vận chuyển hay lưu kho, tháo pin ra khỏi dụng cụ điện.** Có nguy cơ gây thương tích khi vô tình làm kích hoạt công tắc Tắt/Mở.

Khi công tắc Tắt/Mở không được nhấn (17) trục máy khoan sẽ bị khóa. Điều này làm cho việc thay dụng cụ ở mâm cặp được nhanh, tiện lợi và dễ dàng có thể thực hiện được.

Hãy mở mâm cặp mũi khoan tự động (2) bằng cách xoay theo hướng ①, cho đến khi có thể lắp được dụng cụ. Lắp dụng cụ vào.

Hãy xoay bạc lót của đầu cặp mũi khoan không chia (2) vào theo chiều xoay ② của tay thật mạnh. Bằng cách đó, đầu cặp mũi khoan sẽ tự động được khóa.

### Hút Dặm/Bụi

Mạt bụi từ các vật liệu được sơn phủ ngoài có chứa chì trên một số loại gỗ, khoáng vật và kim loại có thể gây nguy hại đến sức khoẻ con người. Dụng cụ chạm hay hít thở các bụi này có thể làm người sử dụng hay đứng gần bị dị ứng và/hoặc gây nhiễm trùng hệ hô hấp.



Một số mặt bụi cụ thể, ví dụ như bụi gỗ sợi hay dầu, được xem là chất gây ung thư, đặc biệt là có liên quan đến các chất phụ gia dùng xử lý gỗ (chất cromat, chất bảo quản gỗ). Có thể chỉ nên để thợ chuyên môn gia công các loại vật liệu có chứa amiăng.

- Tạo không khí thông thoáng nơi làm việc.
- Khuyến nghị nên mang mặt nạ phòng độc có bộ lọc cấp P2.

Tuân thủ các qui định của quốc gia bạn liên quan đến loại vật liệu gia công.

- ▶ **Tránh không để rác tích tụ tại nơi làm việc.**  
Rác có thể dễ dàng bắt lửa.

## Vận Hành

### Bắt Đầu Vận Hành



#### Tháo Pin

**Hướng dẫn:** Việc sử dụng pin không phù hợp với dụng cụ điện có thể dẫn đến lỗi chức năng hoặc gây hỏng dụng cụ điện.

Đặt gạc vận chuyển đổi chiều quay (16) vào giữa để tránh vô tình bật. Hãy lắp pin đã sạc (11) vào tay cầm, đến khi nó được gài vào khớp và nằm chính xác trên tay cầm.

#### Điều chỉnh hướng xoay (xem Hình B)

Với gạc vận chuyển đổi chiều quay (16) bạn có thể thay đổi hướng xoay của dụng cụ điện. Tuy nhiên, việc này không thực hiện được khi công tắc Tắt/Mở được nhấn (17).

- ↻ **Chiều quay phải:** Hãy đẩy gạc vận chuyển đổi chiều quay (16) ở cả hai bên vào vị trí cho đến cũ chặn .
- ↻ **Chiều quay trái:** Hãy đẩy gạc vận chuyển đổi chiều quay (16) ở cả hai bên vào vị trí cho đến cũ chặn .

#### Điều chỉnh chế độ vận hành



##### Khoan thường

Đặt công tắc chọn chế độ hoạt động (7) thành biểu tượng „Khoan“.



##### Bắt vít

Đặt công tắc chọn chế độ hoạt động (7) thành biểu tượng „Bắt vít“.



##### Khoan xung động (GSB 18V-150 C)

Đặt công tắc chọn chế độ hoạt động (7) thành biểu tượng „Khoan xung động“.

#### Bật/tắt

Để **vận hành thử** dụng cụ điện hãy nhấn công tắc Tắt/Mở (17) và nhấn giữ.

Đèn LED (13) bật sáng khi công tắc tắt/mở được nhấn nhẹ hoặc nhấn hết cỡ (17) và cho phép chiếu sáng khu vực làm việc ở các điều kiện chiếu sáng kém.

Để tắt máy, **nhả** công tắc Tắt/Mở (17) ra.

#### Điều chỉnh tốc độ

Bạn có thể điều chỉnh liên tục số vòng quay của dụng cụ điện đã bật, tùy vào việc bạn nhấn công tắc Tắt/Mở như thế nào (17).

Nhấn nhẹ trên công tắc Tắt/Mở (17) sẽ kích hoạt số vòng quay thấp. Tăng lực nhấn lên công tắc làm tăng tốc độ quay.

#### Chọn trước mô-men xoắn (Áp dụng cho chế độ vận hành Các vít)

Với vòng điều chỉnh chọn trước mô-men xoắn (6) bạn có thể chọn trước mô-men xoắn cần thiết ở 25 mức. Nếu đạt tới mô-men xoắn thiết lập, phụ tùng sẽ được dừng lại.

#### Sự chọn lực Truyền động, Cơ học

- ▶ **Chỉ** kích hoạt công tắc chọn vòng truyền động (8) khi dụng cụ điện đã ngừng chạy.

##### Số 1:

Tầm tốc độ cao hơn; dùng để khoan có đường kính nhỏ.

##### Số 2:

Tầm tốc độ cao; dùng để khoan đường kính nhỏ.

- ▶ **Luôn luôn đưa công tắc chọn số về vị trí dừng.** Nếu không, máy có thể bị làm hỏng.

#### Chế độ ngắt nhanh (KickBack Control)



**Chế độ ngắt nhanh (KickBack Control) sẽ cung cấp cách kiểm soát dụng cụ điện tốt hơn và qua đó làm tăng mức độ bảo vệ người dùng so với các dụng cụ điện không có**

**KickBack Control. Ở những vòng quay đột ngột và không thể đoán trước của dụng cụ điện, dụng cụ điện sẽ tắt trực máy khoan.**

Chế độ ngắt nhanh được hiển bằng nhấp nháy đỏ của LED (22), ánh sáng nhấp nháy của đèn làm việc (13) cũng như đèn màu đỏ của LED KickBack Control (23) trên dụng cụ điện.

Để **khởi động lại** hãy thả nút bật tắt và nhấn lại lần nữa.

- ▶ **Nếu chức năng KickBack Control hỏng, không cho bật dụng cụ điện nữa. Chỉ để người có chuyên môn được đào tạo sửa dụng cụ điện và chỉ dùng các phụ tùng gốc để sửa chữa.**

Có thể bỏ kích hoạt chế độ ngắt nhanh trên giao diện người dùng (14) bằng nút (24). Nếu dụng cụ điện không được sử dụng trong hơn 5 phút hoặc nếu pin đã được tháo ra, chế độ ngắt nhanh sẽ tự động bật lại. Tình trạng hiện tại được hiển thị qua LED KickBack Control (23) trên giao diện người dùng (14).

Lưu ý rằng đèn cảnh báo không thể nhìn thấy từ mọi hướng. Khi ánh sáng mặt trời mạnh, sẽ khó nhìn thấy đèn cảnh báo.



### Electronic Angle Detection (EAD)

Với hệ thống dò góc điện tử (EAD), có thể chọn trước góc nghiêng mà dụng cụ điện này nhận diện khi làm việc và hiển thị cho người dùng. Điều này giúp bạn có thể khoan hoặc bắt vít theo góc vuông vào bề mặt nghiêng. Hệ thống dò góc điện tử (EAD) được điều khiển thông qua giao diện người dùng (14).

Chọn góc (45°, 60°, do người dùng xác định) trên giao diện người dùng (14). **Hướng dẫn:** Trong cài đặt xuất xưởng, góc do người dùng xác định là 90°. Góc này có thể được điều chỉnh bằng ứng dụng Bosch.

Để cài đặt góc, hãy nhấn liên tục nút của hệ thống dò góc điện tử (EAD) (20), cho đến khi đèn LED của góc nghiêng mong muốn (21) bắt đầu nhấp nháy.

Ngoài đèn LED của góc nghiêng mong muốn (21), đèn LED của hệ thống dò góc điện tử (EAD) (9) cũng bắt đầu nhấp nháy màu vàng. Bây giờ đặt dụng cụ điện trên bề mặt mong muốn và giữ nó càng yên càng tốt. **Hướng dẫn:** Nếu dụng cụ điện không được giữ yên trong quá trình khởi tạo, quá trình khởi tạo sẽ tự động kết thúc sau 10 giây và giá trị cài đặt cuối cùng được khôi phục. Sau khi định vị, dụng cụ điện bắt đầu với quá trình

khởi tạo. Bề mặt mong muốn được lấy thông tin trong quá trình khởi tạo. Quá trình khởi tạo kết thúc, nếu LED của hệ thống dò góc điện tử (EAD) (9) sáng màu xanh lá trong khoảng 1 giây và sau đó tắt và LED của góc nghiêng (21) sáng liên tục. Tháo dụng cụ điện ra khỏi bề mặt. Căn chỉnh dụng cụ điện ở góc nghiêng mong muốn so với bề mặt được lấy thông tin. Đèn LED (22) sáng màu vàng, nếu góc nghiêng nằm tổng khoảng +/- 10° so với góc nghiêng mặc định.

Nếu góc nghiêng đạt tới +/- 3° so với góc nghiêng mặc định, đèn LED (9) sáng màu xanh lá. Để kết thúc hệ thống dò góc điện tử (EAD), hãy nhấn nút của hệ thống dò góc điện tử (EAD) (20) cho đến khi không có LED nào để lựa chọn (21) chiếu sáng nữa (45° → 60° → Do người dùng xác định → Tắt). Góc đã cài đặt cũng như bề mặt tham chiếu được duy trì khi thay pin hoặc nếu dụng cụ điện được đánh thức từ chế độ tĩnh.

### Giao diện người dùng (xem Hình D)

Giao diện người dùng (14) dùng để cài đặt và kiểm tra góc nghiêng trong khuôn khổ của hệ thống dò góc điện tử (EAD), để tắt chế độ ngắt nhanh (KickBack Control) cũng như để hiển thị trạng thái của dụng cụ điện.

### Hiển thị trạng thái

Hiển thị trạng thái dụng cụ điện (22)	Ý nghĩa/Nguyên nhân	Cách khắc phục
Màu xanh lá	Trạng thái OK	–
Vàng	Đạt nhiệt độ tối hạn, pin gần cạn hoặc KickBack Control được tắt	Cho chạy dụng cụ điện trong chế độ chạy không tải và làm mát, thay hoặc sạc pin hay nhấn nút KickBack
Sáng đỏ	Dụng cụ điện bị quá nhiệt hoặc ắc quy cạn	Hãy để nguội dụng cụ điện, thay hoặc sạc pin
nhấp nháy đỏ	Chống dội ngược được kích hoạt	Tắt dụng cụ điện và bật lại.
Nháy xanh dương	Dụng cụ điện được kết nối với thiết bị đầu cuối di động hoặc các cài đặt được truyền đi	–

### Hiển thị trạng thái dụng cụ điện (9)

Hiển thị trạng thái dụng cụ điện (9)	Ý nghĩa/Nguyên nhân
Màu xanh lá	Đã đạt góc được chọn với dung sai +/-3° so với bề mặt đã lấy thông tin <sup>A)</sup>
Vàng	Đã đạt góc được chọn với dung sai +/-10° so với bề mặt đã lấy thông tin <sup>A)</sup>
Nhấp nháy màu vàng, sau đó sáng nhanh màu xanh lá	Bề mặt được lấy thông tin
Nhấp nháy màu vàng, sau đó sáng nhanh màu vàng	Quá trình khởi tạo không được thực hiện chính xác

A) Độ chính xác đo tuyệt đối có thể thay đổi do các điều kiện khác nhau (ví dụ căn chỉnh sai thiết bị với vít do khe hở giữa đầu chia vận vít và/hoặc bộ điều hợp chia vận vít; độ phẳng của bề mặt cần tham chiếu;...)

### Các chức năng kết nối

Các chức năng kết nối sau đây của dụng cụ điện sẽ khả dụng khi kết hợp với *Bluetooth®* Low Energy Module **GCY 42**:

- Đăng ký và cá nhân hóa
- Kiểm tra trạng thái, phát các thông báo cảnh báo
- Các thông tin và cài đặt chung
- Quản lý

Để biết thông tin về *Bluetooth®* Low Energy Module **GCY 42**, hãy đọc hướng dẫn vận hành đi kèm.

### Hướng Dẫn Sử Dụng

► **Dụng cụ điện có *Bluetooth®* Low Energy Module GCY 42 được trang bị một giao diện sóng vô tuyến. Hãy chú ý các giới hạn địa điểm hoạt động ví dụ như trên máy bay hoặc bệnh viện.**

► **Chỉ đặt dụng cụ điện lên vít khi nó đã tắt.**  
Dụng cụ gài đang quay có thể bị tuột ra.

Để tháo chia vận vít hoặc ống cặp mũi khoan thông dụng, được phép dùng một dụng cụ hỗ trợ.

#### Móc cài dây thắt lưng

Với móc cài dây thắt lưng (10), bạn có thể treo dụng cụ điện, ví dụ, vào đai lưng. Sau đó bạn sẽ có hai tay tự do và dụng cụ điện sẽ luôn luôn dễ sử dụng.

## Bảo Dưỡng và Bảo Quản

### Bảo Dưỡng Và Làm Sạch

- **Trước khi tiến hành bất cứ công việc gì với máy (ví dụ bảo dưỡng, thay dụng cụ v.v..) cũng như khi vận chuyển hay lưu kho, tháo pin ra khỏi dụng cụ điện.** Có nguy cơ gây thương tích khi vô tình làm kích hoạt công tắc Tắt/Mở.
- **Để được an toàn và máy hoạt động đúng chức năng, luôn luôn giữ máy và các khe thông gió được sạch.**

### Dịch vụ hỗ trợ khách hàng và tư vấn sử dụng

Bộ phận phục vụ hàng sau khi bán của chúng tôi trả lời các câu hỏi liên quan đến việc bảo dưỡng và sửa chữa các sản phẩm cũng như phụ tùng thay thế của bạn. Sơ đồ mô tả và thông tin về phụ tùng thay thế cũng có thể tra cứu theo dưới đây:  
**www.bosch-pt.com**

Đội ngũ tư vấn sử dụng của Bosch sẽ giúp bạn giải đáp các thắc mắc về sản phẩm và phụ kiện.

Trong tất cả các phản hồi và đơn đặt phụ tùng, xin vui lòng luôn luôn nhập số hàng hóa 10 chữ số theo nhãn của hàng hóa.

### Việt Nam

CN CÔNG TY TNHH BOSCH VIỆT NAM TẠI TP.HCM  
Tầng 14, Ngôi Nhà Đức, 33 Lê Duẩn  
Phường Bến Nghé, Quận 1, Thành Phố Hồ Chí Minh  
Tel.: (028) 6258 3690  
Fax: (028) 6258 3692 - 6258 3694  
Hotline: (028) 6250 8555  
Email: [tuvankhachhang-pt@vn.bosch.com](mailto:tuvankhachhang-pt@vn.bosch.com)  
[www.bosch-pt.com.vn](http://www.bosch-pt.com.vn)  
[www.baohanhbosch-pt.com.vn](http://www.baohanhbosch-pt.com.vn)

### Xem thêm địa chỉ dịch vụ tại:

[www.bosch-pt.com/serviceaddresses](http://www.bosch-pt.com/serviceaddresses)

### Vận chuyển

Pin có chứa Li-lon là đối tượng phải tuân theo các qui định của Pháp Luật về Hàng Hóa Nguy Hiểm. Người sử dụng có thể vận chuyển pin hợp khối bằng đường bộ mà không cần thêm yêu cầu nào khác.

Khi được vận chuyển thông qua bên thứ ba (vd. vận chuyển bằng đường hàng không hay đại lý giao nhận), phải tuân theo các yêu cầu đặc biệt về đóng gói và dán nhãn. Phải tham vấn chuyên gia về hàng hóa nguy hiểm khi chuẩn bị gói hàng.

Chỉ gửi pin hợp khối khi vỏ ngoài không bị hư hỏng. Dán băng keo hay che kín các điểm tiếp xúc hở và đóng gói pin hợp khối theo cách sao cho pin không thể xô dịch khi nằm trong bao bì. Ngoài ra, xin vui lòng chấp hành các qui định chi tiết có thể được bổ sung thêm của quốc gia.

### Sự thải bỏ



Dụng cụ điện, pin, phụ kiện và bao bì cần được tái sử dụng theo quy định về môi trường.



Bạn không được ném dụng cụ điện và pin vào thùng rác gia đình!

### Pin/ác quy:

#### Li-lon:

Tuân thủ những hướng dẫn trong phần vận chuyển (xem „Vận chuyển“, Trang 88).

مخصص للاستعمال الخارجي من خطر الصدمات الكهربائية.

◀ **إن لم يكن بالإمكان تجنب تشغيل العدة الكهربائية في الأجواء الرطبة، فاستخدم مفتاح للوقاية من التيار المتخلف.** إن استخدام مفتاح للوقاية من التيار المتخلف يقلل خطر الصدمات الكهربائية.

#### أمان الأشخاص

◀ **كن يقظا وانتبه إلى ما تفعله واستخدم العدة الكهربائية بتعقل.** لا تستخدم عدة كهربائية عندما تكون متعبا أو عندما تكون تحت تأثير المخدرات أو الكحول أو الأدوية. عدم الانتباه للحظة واحدة عند استخدام العدة الكهربائية قد يؤدي إلى إصابات خطيرة.

◀ **قم لارتداء تجهيزات الحماية الشخصية. وارتد دائما نظارات واقية.** يعد ارتداء تجهيزات الحماية الشخصية، كقناع الوقاية من الغبار وأحذية الأمان الواقية من الانزلاق والوذو أو واقية الأذنين، حسب ظروف استعمال العدة الكهربائية، من خطر الإصابة بجروح.

◀ **تجنب التشغيل بشكل غير مقصود.** تأكد من كون العدة الكهربائية مطفأة قبل توصيلها بالتيار الكهربائي و/أو بالمركم، وقبل رفعها أو حملها. إن كنت تضع إصبعك على المفتاح أثناء حمل العدة الكهربائية أو إن وصلت الجهاز بالشبكة الكهربائية بينما لامفتاح على وضع التشغيل، قد يؤدي إلى وقوع الحوادث.

◀ **انزع أداة الضبط أو مفتاح الربط قبل تشغيل العدة الكهربائية.** قد تؤدي الأداة أو المفتاح المتواجد في جزء دوار من الجهاز إلى الإصابة بجروح.

◀ **تجنب أوضاع الجسم غير الطبيعية.** قف بأمان وحافظ على توازنك دائما. سيسمح لك ذلك بالتمكّن في الجهاز بشكل أفضل في المواقف الغير متوقعة.

◀ **قم بارتداء ثياب مناسبة.** لا ترتد الثياب الفضفاضة أو الحلى. احرص على إبقاء الشعر والملابس بعيدا عن الأجزاء المتحركة. قد تتشابك الثياب الفضفاضة والحلى والشعر الطويل بالأجزاء المتحركة.

◀ **إن جاز تركيب تجهيزات شفت وتجميع الغبار، فتأكد من أنها موصولة وبأنه يتم استخدامها بشكل سليم.** قد يقلل استخدام تجهيزات لشفط الغبار من المخاطر الناتجة عن الغبار.

◀ **لا تستخدم العدة الكهربائية بلا مبالاة وتجاهل قواعد الأمان الخاصة بها نتيجة لتعودك على استخدام العدة الكهربائية وكثرة استخدامها.** فقد يتسبب الاستعمال دون حرص في حدوث إصابة بالغة تحدث في أجزاء من الثانية.

حسن معاملة واستخدام العدد الكهربائية

◀ **لا تفرط بتحميل الجهاز. استخدم لتفنيذ أشغالك العدة الكهربائية المخصصة لذلك.** إنك تعمل بشكل أفضل وأكثر أماناً بواسطة العدة الكهربائية الملائمة في مجال الأداء المذكور.

◀ **لا تستخدم العدة الكهربائية إن كان مفتاح تشغيلها تالف.** العدة الكهربائية التي لم يعد من

## عربي

### إرشادات الأمان

#### الإرشادات العامة للأمان بالعدد الكهربائية

##### تحذير

اطلع على كافة تحذيرات الأمان والتعليمات والصور والمواصفات المرفقة بالعدة الكهربائية. عدم اتباع التعليمات الواردة أدناه قد يؤدي إلى حدوث صدمة كهربائية، إلى نشوب حريق و/أو الإصابة بجروح خطيرة.

احتفظ بجميع الملاحظات التحذيرية والتعليمات للمستقبل.

يقصد بمصطلح «العدة الكهربائية» المستخدم في الملاحظات التحذيرية، العدد الكهربائية الموصولة بالشبكة الكهربائية (بواسطة كابل الشبكة الكهربائية) وأيضا العدد الكهربائية المزودة بمركم (دون كابل الشبكة الكهربائية).

##### الأمان بمكان الشغل

◀ **حافظ على نظافة مكان شغلك وإضاءته بشكل جيد.** الفوضى في مكان الشغل ونطاقات العمل غير المضأة قد تؤدي إلى وقوع الحوادث.

◀ **لا تشغل بالعدة الكهربائية في نطاق معرض لخطر الانفجار مثل الأماكن التي تتوفر فيه السوائل أو الغازات أو الأعبرة القابلة للاشتعال.** العدد الكهربائية تولد شررا قد يتطاير، فيشعل الأعبرة والأبخرة.

◀ **حافظ على بقاء الأطفال وغيرهم من الأشخاص بعيدا عندما تستعمل العدة الكهربائية.** تشتيت الانتباه قد يتسبب في فقدان السيطرة على الجهاز.

##### الأمان الكهربائي

◀ **يجب أن يتلائم قابس العدة الكهربائية مع المقبس.** لا يجوز تغيير القابس بأي حال من الأحوال. لا تستعمل القوايس المهائية مع العدد الكهربائية المؤرّضة (ذات طرف أرضي). تخفّف القوايس التي لم يتمّ تغييرها والمقابس الملائمة من خطر الصدمات الكهربائية.

◀ **تجنب ملامسة جسمك للأسطح المؤرّضة كالأنابيب والمبردات والمواقد أو التلّاجات.** يزداد خطر الصدمات الكهربائية عندما يكون جسمك مَوْض أو موصل بالأرضي.

◀ **أبعد العدة الكهربائية عن الأمطار أو الرطوبة.** يزداد خطر الصدمات الكهربائية إن تسرب الماء إلى داخل العدة الكهربائية.

◀ **لا تسيّ استعمال الكابل.** لا تستخدم الكابل في حمل العدة الكهربائية أو سحبها أو سحب القابس من المقبس. احرص على إبعاد الكابل عن الحرارة والزيت والحواف الحادة أو الأجزاء المتحركة. تزيد الكابلات التالفة أو المتشابكة من خطر الصدمات الكهربائية.

◀ **عند استخدام العدة الكهربائية خارج المنزل اقتصر على استخدام كابلات التمديد الصالحة للاستعمال الخارجي.** يقلل استعمال كابل تمديد

- ذلك. قد يؤدي سائل المركم المتسرب إلى تهيج البشرة أو إلى الاحتراق.
- ◀ لا تستخدم عدة أو مركم تعرضاً لأضرار أو للتعديل. البطاريات المتعرضة لأضرار أو لتعدلات قد ينتج عنها أشياء لا يمكن التنبؤ بها، قد تسبب نشوب حريق أو حدوث انفجار أو إصابات.
- ◀ لا تعرض المركم أو العدة للهب أو لدرجة حرارة زائدة. التعرض للهب أو لدرجة حرارة أعلى من 130 °م قد يتسبب في انفجار.
- ◀ اتبع تعليمات الشحن ولا تقم بشحن المركم أو العدة خارج نطاق درجة الحرارة المحدد في التعليمات. الشحن بشكل غير صحيح أو في درجات حرارة خارج النطاق الممدد قد يعرض المركم لأضرار ويزيد من مخاطر الحريق.

#### الخدمة

- ◀ احرص على إصلاح عدتك الكهربائية فقط بواسطة العمال المتخصصين وباستعمال قطع الغيار الأصلية فقط. يضمن ذلك المحافظة على أمان الجهاز.
- ◀ لا تقم بإجراء أعمال خدمة على المراكم التالفة. أعمال الخدمة على المراكم يجب أن تقوم بها الجهة الصانعة فقط أو مقدم الخدمة المعتمد.

#### تعليمات الأمان لآلات الثقب ومفكات اللوالب

- تعليمات الأمان لكافة التطبيقات
- ◀ احرص على ارتداء واقبات السمع أثناء الثقب الطرقي. التعرض للضوضاء الناتجة عن ذلك قد يتسبب في فقدان السمع.
- ◀ استخدم المقبض (المقابض) الإضافي. فقدان السيطرة على المُعدّة قد يتسبب في حدوث إصابات.
- ◀ أمسك العدة الكهربائية من أسطح المسك المعزولة عند القيام بأعمال قد يترتب عليها ملامسة ملحق القطع أو عناصر التثبيت لأسلاك كهربائية غير ظاهرة. ملامسة ملحق القطع أو أدوات الربط لسلك «مكهرب» قد يتسبب في مرور التيار في الأجزاء المعدنية من العدة وجعلها مكهربة مما قد يصيب المشغل بصدمة كهربائية.
- تعليمات الأمان عند استخدام ريش ثقب طويلة
- ◀ لا تقم أبداً بالتشغيل بسرعة أعلى من السرعة القصوى المقررة لريشة الثقب. فعلى السرعات العالية ستكون الريشة معرضة للثني في حالة دورانها بشكل حر دون لمس قطعة الشغل، مما قد يؤدي لوقوع إصابات.
- ◀ احرص دائماً على بدء الثقب بسرعة منخفضة بحيث تكون رأس الريشة ملامسة لقطعة الشغل. فعلى السرعات العالية ستكون الريشة معرضة للثني في حالة دورانها بشكل حر دون لمس قطعة الشغل، مما قد يؤدي لوقوع إصابات.
- ◀ لا تضغط إلا على خط واحد مع الريشة، ولا تضغط بشكل زائد. فقد تنثني الريشة، وتعرض للكسر أو تسبب فقدان السيطرة، مما يؤدي لوقوع إصابات.

- الممكن التحكم بها عن طريق مفتاح التشغيل والإطفاء تعتبر خطيرة ويجب أن يتم إصلاحها.
- ◀ اسحب القابس من المقبس و/أو اخلع المركم، إذا كان قابلاً للخلع، قبل ضبط الجهاز وقبل استبدال الملحقات أو قبل تخزين الجهاز. تمنع هذه الإجراءات وقائية تشغيل العدة الكهربائية بشكل غير مقصود.
- ◀ احتفظ بالعدد الكهربائية التي لا يتم استخدامها بعيداً عن متناول الأطفال. لا تسمح باستخدام العدة الكهربائية لمن لا خبرة له بها أو لمن لم يقرأ تلك التعليمات. العدد الكهربائية خطيرة إن تم استخدامها من قبل أشخاص دون خبرة.
- ◀ اعتن بالعدة الكهربائية والملحقات بشكل جيد. تأكد أن أجزاء الجهاز المتحركة مركبة بشكل سليم وغير مستعصية عن الحركة، وتفحص ما إن كانت هناك أجزاء مكسورة أو في حالة تؤثر على سلامة أداء العدة الكهربائية. ينبغي إصلاح هذه الأجزاء التالفة قبل إعادة تشغيل الجهاز. الكثير من الموادث مصدرها العدد الكهربائية التي تتم صيانتها بشكل رديء.
- ◀ احرص على إبقاء عدد القطع نظيفة وحادة. إن عدد القطع ذات حواف القطع المادة التي تم صيانتها بعناية تتكلم بشكل أقل ويمكن توجيهها بشكل أيسر.
- ◀ استخدم العدد الكهربائية والتوايح وريش الشغل إلخ. وفقاً لهذه التعليمات. تراعى أثناء ذلك ظروف الشغل والعمل المراد تنفيذه. استخدام العدد الكهربائية لغير الأشغال المخصصة لأجلها قد يؤدي إلى حدوث الحالات الخطيرة.
- ◀ احرص على إبقاء المقابض وأسطح المسك جافة ونظيفة وخالية من الزيوت والشحوم. المقابض وأسطح المسك الزلقة لا تتبع التشغيل والتحكم الآمن في العدة في المواقف غير المتوقعة.
- حسن معاملة واستخدام العدد المزودة بمركم اشحن المراكم فقط في أجهزة الشحن التي يُنصح باستخدامها من طرف المنتج. قد يتسبب جهاز الشحن المخصصة لنوع معين من المراكم في خطر الحريق إن تم استخدامه مع نوع آخر من المراكم.
- ◀ استخدم العدد الكهربائية فقط مع المراكم المصممة لهذا الغرض. قد يؤدي استخدام المراكم الأخرى إلى إصابات وإلى خطر نشوب المرائق.
- ◀ حافظ على إبعاد المركم الذي لا يتم استعماله عن مشابك الورق وقطع النقود المعدنية والمفاتيح والمسامير واللوالب أو غيرها من الأغراض المعدنية الصغيرة التي قد تقوم بتوصيل الملامسين ببعضهما البعض. قد يؤدي تقصير الدارة الكهربائية بين ملامسي المركم إلى الاحتراق أو إلى اندلاع النار.
- ◀ قد يتسرب السائل من المركم في حالة سوء الاستعمال. تجنب ملامسته. اشطفه بالماء في حال ملامسته بشكل غير مقصود. إن وصل السائل إلى العينين، فراجع الطبيب إضافة إلى

الانفجار. لا تستخدم العدة الكهربائية المزودة بتقنية Bluetooth® في الطائرات. تجنب التشغيل لمدد طويلة على مسافة قريبة من الجسم.

اسم ماركة Bluetooth® وشعاراتها هي علامات تجارية مسجلة، وهي ملك لشركة Bluetooth SIG، Inc. أي استخدام لاسم الماركة/شعارها من قبل شركة Robert Bosch Power Tools GmbH يتم من خلال ترخيص.

## وصف المنتج والأداء

اقرأ جميع إرشادات الأمان والتعليمات. ارتكاب الأخطاء عند تطبيق إرشادات الأمان والتعليمات، قد يؤدي إلى حدوث صدمات كهربائية أو إلى نشوب الحرائق و/أو الإصابة بجروح خطيرة.



يرجى الرجوع إلى الصور الموجودة في الجزء الأول من دليل التشغيل.

## الاستعمال المخصص

العدة الكهربائية مخصصة لربط وحل اللوالب بالإضافة إلى الثقب في الخشب والمعدن والسيراميك واللدائن. العدة الكهربائية GSB مخصصة بالإضافة إلى ذلك للثقب الطرقي في الطوب والجران والحجر.

يمكن نقل البيانات والإعدادات الخاصة بالعدة الكهربائية عندما يكون الموديل Low Bluetooth® GCY 42Energy Module مستخدماً وذلك عن طريق تقنية Bluetooth® اللاسلكية، حيث يتم النقل بين العدة الكهربائية والجهاز الجوال.

## الأجزاء المصورة

يشير ترقيم الأجزاء المصورة إلى رسوم العدة الكهربائية الموجودة في صفحة الرسوم التخطيطية.

- (1) حاضن العدة
- (2) ظرف ريش الثقب سريع الربط
- (3) محدد العمق
- (4) مقبض إضافي (سطح قبض معزول)
- (5) لولب منجع لضبط محدد العمق
- (6) حلقة ضبط اختيار عزم الدوران مسبقاً
- (7) مفتاح اختيار نوع التشغيل
- (8) مفتاح اختيار ترس السرعة
- (9) مؤشر دايموند وظيفة الرصد الإلكتروني للزوايا (EAD)
- (10) مشبك حزام
- (11) مركم
- (12) زر تمرير المركم
- (13) ضوء العمل (واجهة المستخدم)
- (14) واجهة المستخدم
- (15) مثبت لقم<sup>(\*)</sup>
- (16) مفتاح تمويل اتجاه الدوران
- (17) مفتاح التشغيل والإطفاء

## إرشادات الأمان الإضافية

أمسك بالعدة الكهربائية بإحكام. قد تشكل عزوم رد فعل عالية لوهلة قصيرة عند إحكام شد وحل اللوالب.

أحرص على تأمين قطعة الشغل. قطعة الشغل المثبتة بواسطة تجهيزة شد أو بواسطة الملزمة مثبتة بأمان أكبر مما لو تم الإمساك بها بواسطة يدك.

أستخدم أجهزة تنقيب ملائمة للعثور على خطوط الامداد غير الظاهرة، أو استعن بشركة الامداد المحلية. ملامسة الخطوط الكهربائية قد تؤدي إلى اندلاع النار وإلى الصدمات الكهربائية. حدوث أضرار بغط الغاز قد يؤدي إلى حدوث انفجارات. اختراق خط الماء يتسبب في وقوع أضرار مادية.

انتظر إلى أن تتوقف العدة الكهربائية عن الحركة قبل أن تضعها جانباً. قد تتكبد عدة الشغل فتؤدي إلى فقدان السيطرة على العدة الكهربائية.

قد تنطلق أبخرة عند تلف المركم واستخدامه بطريقة غير ملائمة. يمكن أن يحترق المركم أو يتعرض للانفجار. أمن توفر الهواء النقي وراجع الطبيب إن شعرت بشكوى. قد تهيج هذه الأبخرة المجازي التنفسية.

لا تفتح المركم. يتشكل خطر تقصير الدائرة الكهربائية.

يمكن أن يتعرض المركم لأضرار من خلال الأشياء المدببة مثل المسامير والمفكات أو من خلال تأثير القوى الخارجية. وقد يؤدي هذا إلى تقصير الدائرة الكهربائية الداخلية واحترق المركم أو خروج الأذخنة منه أو انفجاره وتعرضه لسخونة مفرطة.

أقتصر على استخدام المركم في منتجات الجهة الصانعة. يتم حماية المركم من فُرط التحميل الخطير بهذه الطريقة فقط دون غيرها.

أحرص على حماية المركم من الحرارة، بما ذلك التعرض لأشعة الشمس باستمرار ومن النار والانساخ والماء والرطوبة. حيث ينشأ خطر الانفجار وخطر حدوث دائرة قصر.



أوقف العدة الكهربائية على الفور في حالة تعرض عدة الشغل للانحصار. كن مستعداً لمواجهة عزوم رد الفعل العالية، والتي تسبب صدمة ارتدادية. تنحصر عدة الشغل عندما يتم التحميل بشكل زائد على العدة الكهربائية أو إذا انقمطت في قطعة الشغل التي تعمل عليها.

أحترس! عند استخدام العدة الكهربائية المزودة بتقنية Bluetooth® قد يتسبب هذا في حدوث تشويش على الأجهزة والأنظمة والطائرات والأجهزة الطبية الأخرى (على سبيل المثال منظم ضربات القلب، السماعات الطبية). كما لا يمكن أيضاً استبعاد حدوث أضرار للأشخاص أو الحيوانات المتواجدين في النطاق القريب. لا تستخدم العدة الكهربائية المزودة بتقنية Bluetooth® بالقرب من الأجهزة الطبية ومحطات التزود بالوقود ومصانع الكيماويات والمناطق التي يهددها خطر

- (18) مقبض (مقبض مسك معزول)  
 (19) غطاء الموديول Low Energy Bluetooth® GCY 42 Module  
 (20) زر وظيفة الرصد الإلكتروني للزوايا (EAD) (واجهة المستخدم)  
 (21) مؤشر دايدو لزواوية الميل المضبوطة مسبقاً (واجهة المستخدم) بوظيفة الرصد الإلكتروني للزوايا (EAD)  
 (22) مؤشر دايدو للعدة الكهربائية (واجهة المستخدم)  
 (23) مؤشر دايدو لخاصية KickBack Control (واجهة المستخدم)  
 (24) زر خاصية KickBack Control (واجهة المستخدم)  
 (25) رقم طلب المقبض الإضافي 1 602 025 07Y (a) لا يتضمن إطار التوريد الاعتيادي التوابع المصورة أو المشروحة. تجد التوابع الكاملة في برنامجنا للتوابع.

## البيانات الفنية

مقناب/مفك لوابب برمك		مقناب/مفك لوابب برمك	
GSB 18V-150 C	GSR 18V-150 C	3 601 JJ5 1..	3 601 JJ5 0..
18	18	فلط =	رقم الصنف
			الجهود الاسمي
			عدد اللفات الاحملي <sup>(A)</sup>
0-550	0-550	دقيقة <sup>1</sup>	- السرعة الأولى
0-2 200	0-2 200	دقيقة <sup>1</sup>	- السرعة الثانية
0-30 000	-	دقيقة <sup>1</sup>	عدد الطرقات <sup>(A)</sup>
100/84	100/84	نيوتن متر	عزم الدوران بحالة ربط لوابب قاسية/ليننة استناداً للمواصفة (ISO 5393 (2017) <sup>(A)</sup>
150	150	نيوتن متر	عزم الدوران الأقصى <sup>(A)</sup>
			أقصى قطر ثقب
150	150	مم	- خشب
16	16	مم	- فولاذ
20	-	مم	- الجدران
1,5-13	1,5-13		حاضن العدة
13	13	مم	القطر الأقصى للوابب
2,5-3,6	2,4-3,5	كجم	الوزن حسب EPTA-Procedure 01:2014 <sup>(B)</sup>
0 ... +35	0 ... +35	°م	درجة الحرارة المحيطة الموصى بها عند الشحن
-20 ... +50	-20 ... +50	°م	درجة الحرارة المحيطة المسموح بها عند التشغيل وعند التخزين
GBA 18V... ProCORE18V...	GBA 18V... ProCORE18V...		المراكم المتوافقة
ProCORE18V... ≤ 5,5 أمبير ساعة	ProCORE18V... ≤ 5,5 أمبير ساعة		المراكم الموصى بها للقدرة الكاملة
GAL 18... GAX 18... GAL 36...	GAL 18... GAX 18... GAL 36...		أجهزة الشحن الموصى بها

(A) مقاسة عند درجة حرارة 20-25 °م مع مركب ProCORE18V 8.0Ah.

(B) القياس مع GBA 18V 1.5Ah و GBA 18V 12.0Ah.

## استخدام الموديول Bluetooth® Low Energy Module GCY 42

- للمعلومات حول الموديول  
 Low Energy Module Bluetooth® GCY 42  
 اقرأ دليل الاستعمال المعني.

## التركيب

- انزع المركب عن العدة الكهربائية قبل إجراء أي أعمال بالعدة الكهربائية (مثلاً: الصيانة، استبدال العدد وإلخ.) وأيضاً عند نقلها أو تخزينها. هناك خطر إصابة بجروح عند الضغط على مفتاح التشغيل والإطفاء بشكل غير مقصود.



## نوع المرمك ProCORE18V...



السعة	مصايح الدايدو
80-100 %	ضوء مستمر x5 أخضر
60-80 %	ضوء مستمر x4 أخضر
40-60 %	ضوء مستمر x3 أخضر
20-40 %	ضوء مستمر x2 أخضر
5-20 %	ضوء مستمر x1 أخضر
0-5 %	الإضاءة الوماضة x1 أخضر

## مقبض إضافي

◀ استخدم العدة الكهربائية فقط مع المقبض الإضافي (4).

لا يجوز استخدام هذه العدة الكهربائية إلا باستخدام المقبض الإضافي برقم الطلب 1 602 025 07Y.

◀ تأكد قبل أي أعمال أن المقبض الإضافي

مربوط بإحكام. إن فقدان التحكم قد يؤدي إلى حدوث إصابات. احرص على مراعاة أن يتم إحكام ربط المقبض الإضافي بعزم الدوران المناسب، لوسيلة التثبيت، قم بتثبيته في العدة الكهربائية، بحيث يتم استبعاد أية حركة للمقبض الإضافي حول محور الثقب أو على طوله.

## تركيب المقبض الإضافي

لفتح المقبض الإضافي أدر قطعة المسك السفلى الخاصة بالمقبض الإضافي (4) عكس اتجاه عقارب الساعة.

أرجع القطعة البينية الموجودة بالمقبض الإضافي وثبتها في هذا الموضع.

حرك المقبض الإضافي فوق طرف ريش الثقب، لتركيب المقبض الإضافي في العدة الكهربائية.

ثم اترك القطعة البينية .

أدر قطعة القبض السفلية بالمقبض الإضافي (4) بعد ذلك في اتجاه حركة عقارب الساعة بإحكام.

## تحريك المقبض اليدوي الإضافي

يمكنك تحريك المقبض الإضافي (4) كما تريد للوصول إلى وضع عمل آمن ومريح.

أدر قطعة المقبض السفلية بالمقبض الإضافي (4) عكس اتجاه عقارب الساعة وحرك المقبض الإضافي

(4) إلى الوضع المرغوب. أدر قطعة القبض السفلية بالمقبض الإضافي (4) بعد ذلك في اتجاه حركة عقارب الساعة بإحكام.

## ضبط عمق التثقيب

باستخدام محدد العمق (3) يمكن تحديد عمق الثقب المرغوب X.

قم بفك اللولب المرنج لضبط محدد العمق (5) وقم بتركيب محدد العمق في المقبض الإضافي (4).

أخرج محدد العمق (3) بحيث تكون المسافة بين رأس ريشة الثقب وطرف محدد العمق (3) مطابقة للعمق المرغوب X.

## شحن المرمك

◀ اقتصر على استخدام أجهزة الشحن المذكورة في المواصفات الفنية. أجهزة الشحن هذه دون غيرها هي المتوائمة مع مرمك أيونات الليثيوم المستخدم في عدتك الكهربائية.

**ملحوظة:** يتم تسليم المرمك وهو بحالة شحن جزئي. لضمان قدرة أداء المرمك الكاملة، يتوجب شحن المرمك في تهيئة الشحن بشكل كامل قبل الاستعمال لأول مرة.

يمكن أن يتم شحن مرمك أيونات الليثيوم في أي وقت، دون أن يقلل ذلك من فترة صلاحيته. لا يتسبب قطع عملية الشحن في الإضرار بالمرمك.

لقد تمّ وقاية مرمك أيونات الليثيوم من التفرغ الشديد بواسطة واقية الخلايا الإلكترونية، "Electronic Cell Protection (ECP)". يتمّ إطفاء العدة الكهربائية بواسطة قارئة وقائية عندما يفرغ المرمك: لن تتحرك عدة الشغل عندئذ.

◀ لا تتابع الضغط على مفتاح التشغيل والإطفاء بعد انطفاء العدة الكهربائية بشكل آلي. فقد يتلف المرمك.

تراعى الملاحظات بصدد التخلص من العدد.

## نزع المرمك

يمتاز المرمك (11) بدرجتى إقفال اثنتين والتي عليها أن تمنع سقوط المرمك للخارج في حال ضغط زر فك إقفال المرمك بشكل غير مقصود (12). يتم تثبيت المرمك بواسطة نابض مادام مركبا في العدة الكهربائية.

لخلع المرمك (11) اضغط على زر فك الإقفال (12) واجذب المرمك من العدة الكهربائية من الجانب. لا تستخدم القوة أثناء ذلك.

## مبين حالة شحن المرمك

تشير مصايح الدايدو الخضراء الخاصة بمبين حالة شحن المرمك لحالة شحن المرمك. لأسباب تتعلق بالسلامة فإنه لا يمكن الاستعمال عن حالة الشحن إلا والعدة الكهربائية متوقفة.

اضغط على زر مبين حالة الشحن (10) أو (11) لعرض حالة الشحن. يمكن هذا أيضا والمرمك مخرج.

إذا لم يضيء أي مصباح دايدو بعد الضغط على زر مبين حالة الشحن، فهذا يعني أن المرمك تالف ويجب تغييره.

**إرشاد:** تتم الإشارة إلى حالة شحن المرمك في واجهة المستخدم (14) (انظر «مبينات الحالة»، الصفحة 95).

## نوع المرمك GBA 18V...



السعة	مصايح الدايدو
60-100 %	ضوء مستمر x3 أخضر
30-60 %	ضوء مستمر x2 أخضر
5-30 %	ضوء مستمر x1 أخضر
0-5 %	الإضاءة الوماضة x1 أخضر

تغييره عندما يكون مفتاح التشغيل والإطفاء (17) مضغوطاً.

🔑 **دوران اليمين:** حرك مفتاح تحويل اتجاه الدوران (16) من الجانبين حتى النهاية إلى الوضع ➡.

🔑 **دوران اليسار:** حرك مفتاح تحويل اتجاه الدوران (16) من الجانبين حتى النهاية إلى الوضع ➡.

### ضبط نوع التشغيل

#### الثقب



اضبط زر اختيار نوع التشغيل (7) على الرمز «الثقب».

#### ربط اللوالب



اضبط زر اختيار نوع التشغيل (7) على الرمز «الربط».

#### الثقب لمرفق بالطرق (GSB 18V-150) (C)



اضبط زر اختيار نوع التشغيل (7) على الرمز «الثقب الطرفي».

### التشغيل والإطفاء

لغرض **تشغيل** العدة الكهربائية اضغط على مفتاح التشغيل والإطفاء (17) وحافظ على إبقائه مضغوطاً. يضيء المصباح LED (13) عند الضغط على مفتاح التشغيل والإطفاء (17) بشكل جزئي أو كامل ويسمع بإضاءة مكان الشغل إن كانت ظروف الإضاءة غير ملائمة.

لغرض **إطفاء** العدة الكهربائية اترك مفتاح التشغيل والإطفاء (17).

### ضبط عدد الدوران

يمكنك أن تتحكم بعدد دوران العدة الكهربائية قيد التشغيل دون تدريج، حسب مدى الضغط على مفتاح التشغيل والإطفاء (17).

يؤدي الضغط الخفيف على مفتاح التشغيل والإطفاء (17) إلى عدد لفات منخفض. يزداد عدد اللفات بزيادة الضغط.

### الاختيار المسبق لعزم الدوران (يسري على نوع التشغيل ربط اللوالب)

تسمح لك حلقة ضبط اختيار عزم الدوران مسبقاً (6) بضبط عزم الدوران المطلوب على 25 درجة بشكل مسبق. بمجرد الوصول إلى عزم الدوران المضبوط يتم إيقاف عدة الشغل.

### اختيار ترس السرعة ميكانيكياً

🔑 **اضبط مفتاح اختيار ترس السرعة (8) فقط عندما تكون العدة الكهربائية متوقفة عن الحركة.**

#### السرعة الأولى:

مجال عدد دوران منخفض، للشغل بقطر تثقيب كبير أو لربط اللوالب.

#### السرعة الثانية:

مجال عدد لفات مرتفع للعلم بقطر ثقب صغير.

أحكم ربط اللولب المجمع لضبط محدد العمق (5) مرة أخرى.

### استبدال العدد (انظر الصورة A)

🔑 **انزع المرمك عن العدة الكهربائية قبل إجراء أي أعمال بالعدة الكهربائية (مثلاً: الصيانة، استبدال العدد وإلخ..)** وأيضاً عند نقلها أو تخزينها. هناك خطر إصابة بجروح عند الضغط على مفتاح التشغيل والإطفاء بشكل غير مقصود.

عند عدم الضغط على مفتاح التشغيل والإطفاء (17) يتم تثبيت محور دوران المثقاب. يسمع ذلك باستبدال عدة الشغل بظرف المثقاب بشكل سريع ومريح وبسيط.

افتح ظرف ريش الثقب سريع الربط (2) من خلال إدارته في اتجاه دوران 🔑، إلى أن تتمكن من تلميم العدة. قم بتركيب العدة.

أغلق جلبه ظرف ريش الثقب سريع الربط (2) بإدارتها في الاتجاه 🔑 يدويًا بقوة. يتم تأمين قفل ظرف ريش الثقب بذلك أوتوماتيكياً.

### شفط الغبار/النشارة

إن أغبرة بعض المواد كالطلاء الذي يحتوي على الرصاص، وبعض أنواع الخشب والفلزات والمعادن، قد تكون مضرّة بالصحة. إن ملامسة أو استنشاق الأغبرة قد يؤدي إلى ردود فعل زائدة الحساسية و/أو إلى أمراض المجاري التنفسية لدى المستخدم أو لدى الأشخاص المتواجدين على مقربة من المكان. تعتبر بعض الأغبرة المعينة، كأغبرة البلوط والزنان من مسببات السرطان، وبالأخص عند اتصالها بالمواد الإضافية الخاصة بمعالجة الخشب (ملح حامض الكروميك، المواد الحافظة للخشب). يجوز أن يتم معالجة المواد التي تحتوي على الأسبستوس من قبل العمال المتخصصين فقط دون غيرهم.

– حافظ على تهوية مكان الشغل بشكل جيد.  
– ينصح بارتداء قناع وقاية للتنفس من فئة المرشح P2.

تراعي الأحكام السارية في بلدكم بالنسبة للمواد المرغوب معالجتها.

🔑 **تجنب تراكم الغبار بمكان العمل.** يجوز أن تشتعل الأغبرة بسهولة.

## التشغيل

### بدء التشغيل

#### تركيب المرمك

**إرشاد:** استخدام المراكم غير المناسبة لعدتك الكهربائية يمكن أن يؤدي إلى حدوث اختلالات وظيفية أو إلى إلحاق الضرر بالعدة الكهربائية.

اضبط مفتاح تحويل اتجاه الدوران (16) على الوضع المتوسط لمنع التشغيل غير المقصود. ضغ المرمك المشحون (11) في المقبض إلى أن يثبت بصوت مسموع، ويتساطع مع المقبض.

#### ضبط اتجاه الدوران (انظر الصورة B)

يمكنك أن تغير اتجاه دوران العدة الكهربائية (16) بواسطة مفتاح تغيير اتجاه الدوران. إلا أنه لا يمكن

اختر زاوية (45°، 60°، زاوية يحددها المستخدم) عن طريق واجهة المستخدم (14). **ملاحظة:** في أوضاع ضبط المصنع تكون الزاوية التي يحددها المستخدم 90°. يمكن موازنة هذه الزاوية عن طريق تطبيق Bosch-App.

لضبط الزاوية كرر الضغط على زر وظيفة الرصد الإلكتروني للزوايا (EAD (20)، إلى أن يبدأ مؤشر دايدود زاوية الميل المعنية (21) في الوميض. بجوار مؤشر دايدود زاوية الميل المرغوبة (21) يبدأ أيضًا مؤشر دايدود وظيفة الرصد الإلكتروني للزوايا (EAD (9) في الوميض باللون الأصفر. ضع العدة الكهربائية على السطح المرغوب واحرص قدر الإمكان على أن تكون ثابتة. **ملاحظة:** إذا لم يتم الحفاظ على ثبات العدة الكهربائية أثناء عملية التهيئة، تنتهي عملية التهيئة أوتوماتيكيًا بعد 10 ثوانٍ وتتم العودة إلى آخر قيمة مضبوطة.

تبدأ العدة الكهربائية بعد الارتكاز في عملية التهيئة. أثناء عملية التهيئة يتم تسجيل السطح المرغوب. تنتهي عملية التهيئة عندما يضيء مؤشر دايدود وظيفة الرصد الإلكتروني للزوايا (EAD (9) لمدة 1 ثانية باللون الأخضر ثم تنطفئ، ويضيء مؤشر دايدود زاوية الميل (21) باستمرار.

أبعد العدة الكهربائية عن السطح. وجه العدة الكهربائية بزاوية الميل المرغوبة بالنسبة للسطح الخارجي المسجل. يضيء مؤشر الدايدود (22) باللون الأصفر عندما تكون زاوية الميل في نطاق +/- 10° بالنسبة لزاوية الميل المضبوطة مسبقًا.

عند الوصول إلى زاوية ميل في نطاق +/- 3° بالنسبة لزاوية الميل المضبوطة مسبقًا يضيء مؤشر الدايدود (9) باللون الأخضر. لإنهاء وظيفة الرصد الإلكتروني للزوايا (EAD) اضغط على زر وظيفة الرصد الإلكتروني للزوايا (EAD (20)) باستمرار إلى أن تتوقف إضاءة أي مؤشر دايدود لاختيار الزوايا (21) (45° ← 60° ← زاوية يحددها المستخدم ← إيقاف). تظل الزاوية المضبوطة والسطح المرغوب محفوظين حتى مع تغيير المركب أو عند إخراج العدة الكهربائية من وضع السكون.

#### واجهة المستخدم (انظر الصورة D)

تتلخص وظيفة واجهة المستخدم (14) في ضبط زاوية الميل ومراجعتها في إطار الرصد الإلكتروني للزوايا (EAD)، وإيقاف تفعيل خاصية الإطفاء السريع (KickBack Control) بالإضافة لبيان حالة العدة الكهربائية.

◀ ادفع مفتاح اختيار ترس السرعة دائما إلى حد التصادم. وإلا، فقد تعرض العدة الكهربائية للضرر.

#### خاصية الإطفاء السريع (KickBack Control)

تتيح خاصية الإطفاء السريع (KickBack Control) تحكمًا أفضل في العدة الكهربائية وتزيد من درجة حماية المستخدم مقارنة بالعدد الكهربائية غير المزودة بخاصية KickBack Control. في حالة الدوران المفاجئ وغير المتوقع للعدة الكهربائية حول محور الثقب تنطفئ العدة الكهربائية.



تم الإشارة إلى خاصية الإطفاء السريع من خلال الوميض الأحمر لمؤشر الدايدود (22)، ووميض ضوء العمل (13) وإضاءة حمراء لمؤشر دايدود خاصة KickBack Control (23) بالعدة الكهربائية.

لغرض إعادة تشغيل اترك مفتاح التشغيل والإطفاء واضغط عليه مجدداً.

◀ في حالة تعطل خاصية KickBack Control لا يمكن تشغيل العدة الكهربائية. احرص على تصليح عدتك الكهربائية فقط من قبل العمال المتخصصين وباستعمال قطع الغيار الأصلية فقط.

يمكن إيقاف تفعيل خاصية الإطفاء السريع من واجهة المستخدم (14) باستخدام الزر (24). في حالة عدم استخدام العدة الكهربائية لمدة تزيد عن 5 دقائق أو إخراج المركب منها يتم تشغيل خاصية الإطفاء السريع أوتوماتيكيًا مرة أخرى. تتم الإشارة إلى الحالة الحالية عن طريق مؤشر دايدود خاصة KickBack Control (23) بواجهة المستخدم (14).

يُراعى أن ضوء التحذير غير مرئي من بعض الاتجاهات. في حالة ضوء الشمس القوي يصعب التعرف على ضوء التحذير.

#### الرصد الإلكتروني للزوايا (EAD) (Electronic Angle Detection) (وظيفة الرصد الإلكتروني للزوايا)

يمكن باستخدام وظيفة الرصد الإلكتروني للزوايا (EAD) الاختيار المسبق لزاوية الميل التي تتعرف عليها العدة الكهربائية أثناء العمل وتُظهرها للمستخدم. وبهذا يمكن على سبيل المثال الثقب أو ربط اللوالب بشكل قائم على سطح مائل. يتم التحكم في وظيفة الرصد الإلكتروني للزوايا (EAD) عن طريق واجهة المستخدم (14).

#### مبيّنات الحالة

مبيّن حالة العدة الكهربائية (22)	المعنى/السبب	الحل
أخضر	الحالة على ما يرام	-
أصفر	إذا تم الوصول إلى مستوى مرجح لدرجة الحرارة أو تم إطفاء خاصية KickBack Control	دع العدة الكهربائية تعمل على وضع دوران اللاحمل، وارتكها حتى تبرد وقم بتبديل المركب أو شحنته قريبًا أو اضغط على زر KickBack Control
يضيء باللون الأحمر	العدة الكهربائية ساخنة للغاية أو المركب فارغ الشحنة	اترك العدة الكهربائية تبرد أو قم بتغيير المركب أو شحنته
يومض باللون الأحمر	انطلقت خاصية إيقاف بسبب الصدمات الارتدادية	قم بإطفاء العدة الكهربائية وأعد تشغيلها

الحل	المعنى/السبب	مبين حالة العدة الكهربائية (22)
-	العدة الكهربائية متصلة بجهاز جوال أو يتم نقل الإعدادات	وميض باللون الأزرق

المعنى/السبب	مبين حالة العدة الكهربائية (9)
يتم الوصول إلى الزاوية المختارة بنسبة تفاوت $\pm 3^\circ$ بالنسبة للسطح المسجل <sup>(A)</sup>	أخضر
يتم الوصول إلى الزاوية المختارة بنسبة تفاوت $\pm 10^\circ$ بالنسبة للسطح المسجل <sup>(A)</sup>	أصفر
يتم تسجيل السطح	وميض باللون الأصفر، ثم إضاءة لوهلة قصيرة باللون الأخضر
لم يتم تنفيذ عملية التهيئة بشكل صحيح	وميض باللون الأصفر، ثم إضاءة لوهلة قصيرة باللون الأصفر

(A) قد تختلف دقة القياس المطلقة بسبب ظروف مختلفة (على سبيل المثال، اختلال محاذاة الجهاز بالنسبة للولب بسبب الخلوص بين لقمة ربط اللوالب و/أو المهائى، واستواء السطح، الذي يتم الرجوع إليه، ...)

### خدمة العملاء واستشارات الاستخدام

يجب مركز خدمة العملاء على الأسئلة المتعلقة بإصلاح المنتج وصيانته، بالإضافة لقطع الغيار. تجد الرسوم التوضيحية والمعلومات الخاصة بقطع الغيار في الموقع: [www.bosch-pt.com](http://www.bosch-pt.com)  
يسر فريق Bosch لاستشارات الاستخدام مساعدتك إذا كان لديك أي استفسارات بخصوص منتجاتنا وملحقاتها.

يلزم ذكر رقم الصنف ذو الخانات العشر وفقاً للوحة صنع المنتج عند إرسال أية استفسارات أو طلبيات قطع غيار.

### المغرب

Robert Bosch Morocco SARL

53، شارع الملازم محمد محروود

20300 الدار البيضاء

الهاتف: 212 5 29 31 43 27

البريد الإلكتروني: [sav.outillage@ma.bosch.com](mailto:sav.outillage@ma.bosch.com)

تجد المزيد من عناوين الخدمة تحت:

[www.bosch-pt.com/serviceaddresses](http://www.bosch-pt.com/serviceaddresses)

### النقل

تخضع مراكز إيونات الليثيوم المركبة لأحكام قانون المواد الخطيرة. يسمح للمستخدم أن يقوم بنقل المراكم على الطرقات دون التقييد بأية شروط إضافية.

عندما يتم إرسالها عن طريق طرف آخر (مثلاً: الشحن الجوي أو شركة شحن)، يتوجب التقييد بشروط خاصة بصدد التغليف ووضع العلامات. ينبغي استشارة خبير متخصص بنقل المواد الخطيرة عندما يرغب بتحضير المركم المراد شحنه في هذه الحالة.

لا تقوم بشحن المراكم إلا إذا كان هيكلها الخارجي سليم. قم بتغطية الملامسات المكشوفة من بلاصقات، و قم بتغليف المركم بحيث لا يتحرك في الطرد. يرجى أيضاً مراعاة التشريعات المحلية المتعلقة إن وجدت.

### وظائف الربط

بالارتباط مع الموديول *Bluetooth Low Energy* <sup>®</sup> **GCY 42Module** تتوافر وظائف الربط التالية للعدة الكهربائية:

- التسجيل والمواءمة مع المتطلبات الشخصية
- اختيار الحالة، إصدار بلاغات التحذير
- المعلومات العامة والإعدادات
- الإدارة

للمعلومات حول الموديول

*Bluetooth Low Energy Module* <sup>®</sup>

**GCY 42**

اقرأ دليل الاستعمال المعني.

### إرشادات العمل

◀ **العدة الكهربائية المزودة بموديول *Bluetooth* <sup>®</sup> GCY 42 Low Energy Module بها واجهة بينية لاسلكية. تراعى قيود التشغيل المحلية، على سبيل المثال في الطائرات أو المستشفيات.**

◀ **ضع العدة الكهربائية على اللولب فقط عندما تكون مطفأة.** قد تنزلق عدد الشغل الدوارة. لفك لقمة مفك البراغي أو حامل اللقم العام يجوز استخدام أداة مساعدة.

### مشبك حزام

يمكنك أن تشبك العدة الكهربائية بواسطة مشبك الحزام (10) على الحزام مثلاً. وبذلك ستكون يداك فارغتان والعدة الكهربائية تحت تصرفك دائماً.

## الصيانة والخدمة

### الصيانة والتنظيف

◀ **انزع المركم عن العدة الكهربائية قبل إجراء أي أعمال بالعدة الكهربائية (مثلاً: الصيانة، استبدال العدد وإلخ..). وأيضاً عند نقلها أو تخزينها.** هناك خطر إصابة بجروح عند الضغط على مفتاح التشغيل والإطفاء بشكل غير مقصود.

◀ **للعمل بشكل جيد وآمن حافظ دائماً على نظافة العدة الكهربائية وفتحات التهوية.**

## التخلص من العدة الكهربائية

يجب التخلص من العدة الكهربائية والمركم والتوايح والتغليف بطريقة صديقة للبيئة عن طريق النفايات القابلة لإعادة التصنيع.

لا تلق العدة الكهربائية والمراكم/البطاريات ضمن النفايات المنزلية!



**المراكم/البطاريات:**

**مراكم أيونات الليثيوم:**

يرجى مراعاة الإرشادات الواردة في جزء النقل (انظر „النقل“، الصفحة 96).

مناسب برای محیط باز، خطر برق گرفتگی را کم می کنند.

◀ در صورت لزوم کار با ابزار برقی در محیط و اماکن مرطوب، باید از یک کلید حفاظتی جریان خطا و نشستی زمین (کلید قطع کننده اتصال با زمین) استفاده کنید. استفاده از کلید حفاظتی جریان خطا و نشستی زمین خطر برق گرفتگی را کاهش می دهد.

#### رعایت ایمنی اشخاص

◀ حواس خود را خوب جمع کنید، به کار خود دقت کنید و با فکر و هوشیاری کامل با ابزار برقی کار کنید. در صورت خستگی و یا در صورتی که مواد مخدر، الکل و دارو استفاده کرده‌اید، با ابزار برقی کار نکنید. یک لحظه بی توجهی هنگام کار با ابزار برقی، میتواند جراثم های شدیدی به همراه داشته باشد.

◀ از تجهیزات ایمنی شخصی استفاده کنید. همواره از عینک ایمنی استفاده نمایید.

استفاده از تجهیزات ایمنی مانند ماسک ضد گرد و غبار، کفشهای ایمنی ضد لغزش، کلاه ایمنی و گوشی محافظ متناسب با نوع کار با ابزار برقی، خطر مجروح شدن را کاهش میدهد.

◀ مواظب باشید که ابزار برقی بطور ناخواسته بکار نیفتد. قبل از وارد کردن دوشاخه دستگاه در پریز برق، اتصال آن به باتری، برداشتن آن و یا حمل دستگاه، باید دقت کنید که ابزار برقی خاموش باشد. در صورتی که هنگام حمل دستگاه انگشت شما روی دکمه قطع و وصل باشد و یا دستگاه را در حالت روشن به برق بزنید، ممکن است سوانع کاری پیش آید.

◀ قبل از روشن کردن ابزار برقی، همه ابزارهای تنظیم کننده و آپارها را از روی دستگاه بردارید. ابزار و آپارهایی که روی بخش های چرخنده دستگاه قرار دارند، میتوانند باعث ایجاد جراثم شوند.

◀ وضعیت بدن شما باید در حالت عادی قرار داشته باشد. برای کار جای مطمئنی برای خود انتخاب کرده و تعادل خود را همواره حفظ کنید. به این ترتیب میتوانید ابزار برقی را در وضعیتهای غیر منتظره بهتر تحت کنترل داشته باشید.

◀ لباس مناسب بپوشید. از پوشیدن لباسهای گشاد و حمل زینت آلات خودداری کنید. موها و لباس خود را از بخشهای در حال چرخش دستگاه دور نگه دارید. لباسهای گشاد، موی بلند و زینت آلات ممکن است در قسمتهای در حال چرخش دستگاه گیر کنند.

◀ در صورتی که تجهیزاتی برای اتصال وسائل مکش گرد و غبار و یا وسیله جمع کننده گرد و غبار ارائه شده است، باید مطمئن شوید که این وسائل درست نصب و استفاده می شوند. استفاده از وسائل مکش گرد و غبار مصونیت شما را در برابر گرد و غبار زیاده تر میکند.

◀ آشنایی با ابزار به دلیل کار کردن زیاد با آن نباید باعث سهل انگاری شما و نادیده گرفتن اصول ایمنی شود. بی دقتی ممکن است باعث بروز جراحاتی در عرض کسری از ثانیه شود.

## فارسی

### دستورات ایمنی

#### نکات ایمنی عمومی برای ابزارهای برقی

##### ⚠ هشدار کلیه هشدارها، دستورالعملها، تصاویر و

مشخصات ارائه شده به همراه ابزار برقی را مطالعه کنید. اشتباهات ناشی از عدم رعایت این دستورات ایمنی ممکن است باعث برق گرفتگی، سوختگی و یا سایر جراثم های شدید شود.

##### کلیه هشدارهای ایمنی و راهنماییها را برای آینده خوب نگهداری کنید.

عبارت «ابزار برقی» در هشدارها به ابزارهایی که به پریز برق متصل میشوند (با سیم برق) و یا ابزارهای برقی باتری دار (بدون سیم برق) اشاره دارد.

#### ایمنی محل کار

◀ محیط کار را تمیز و روشن نگه دارید. محیطهای در هم ریخته یا تاریک احتمال بروز حادثه را افزایش میدهند.

◀ ابزار برقی را در محیطهایی که خطر انفجار وجود دارد و حاوی مایعات، گازها و بخارهای متحرکه هستند، به کار نگیرید. ابزارهای برقی چرخههایی ایجاد میکنند که میتوانند باعث آتش گرفتن گرد و غبارهای موجود در هوا شوند.

◀ هنگام کار با ابزار برقی، کودکان و سایر افراد را از دستگاه دور نگه دارید. در صورتیکه حواس شما پرت شود، ممکن است کنترل دستگاه از دست شما خارج شود.

#### ایمنی الکتریکی

◀ دوشاخه ابزار برقی باید با پریز برق تناسب داشته باشد. هیچگونه تغییری در دوشاخه ایجاد نکنید. مبدل دوشاخه نباید همراه با ابزار برقی دارای اتصال زمین استفاده شود. دوشاخههای اصل و تغییر داده نشده و پریزهای مناسب، خطر برق گرفتگی را کاهش میدهند.

◀ از تماس بدنی با قطعات متصل به سیم اتصال زمین مانند لوله، شوفاژ، آجاق برقی و یخچال خودداری کنید. در صورت تماس بدنی با سطوح و قطعات دارای اتصال به زمین و همچنین تماس شما با زمین، خطر برق گرفتگی افزایش می یابد.

◀ ابزارهای برقی را در معرض باران و رطوبت قرار ندهید. نفوذ آب به ابزار برقی، خطر شوک الکتریکی را افزایش میدهد.

◀ از سیم دستگاه برای مقاصد دیگر استفاده نکنید. هرگز برای حمل ابزار برقی، کشیدن آن یا خارج کردن دوشاخه از سیم دستگاه استفاده نکنید. کابل دستگاه را از حرارت، روغن، لیبهای تیز یا قطعات متحرک دور نگه دارید. کابلهای آسیب دیده و یا گره خورده خطر شوک الکتریکی را افزایش میدهند.

◀ هنگام استفاده از ابزار برقی در محیطهای باز، تنها از کابل رابطی استفاده کنید که برای محیط باز نیز مناسب باشد. کابل های رابط



- شوند. ایجاد اتصالی بین دو قطب باتری (ترمینالهای باتری) میتواند باعث سوختگی و ایجاد حریق شود.
- ◀ استفاده بی رویه از باتری میتواند باعث خروج مایعات از آن شود؛ از هر گونه تماس با این مایعات خودداری کنید. در صورت تماس اتفاقی با آن، دست خود و یا محل تماس را با آب بشوئید. در صورت آلوده شدن چشم با این مایع، باید به پزشک مراجعه کنید. مایع خارج شده از باتری میتواند باعث التهاب پوست و سوختگی شود.
  - ◀ هرگز از باتری یا ابزار آسیب دیده یا دست کاری شده استفاده نکنید. باتریهای آسیب دیده ممکن است کارکرد غیر منتظرهای داشته باشند و منجر به آتش سوزی، انفجار یا جراحت شوند.
  - ◀ باتری یا ابزار را در معرض آتش یا دمای زیاد قرار ندهید. قرار گرفتن در معرض آتش یا دمای بالاتر از 130 درجه سانتیگراد میتواند باعث انفجار شود.
  - ◀ همه راهنماییهای مربوط به شارژ را رعایت کنید و باتری یا ابزار را خارج از محدوده دمای تعریف شده در دستورات شارژ نکنید. شارژ کردن نادرست یا در دمای خارج از محدوده تعریف شده ممکن است به باتری صدمه بزند و خطر آتش سوزی را افزایش دهد.
- سرویس**
- ◀ برای تعمیر ابزار برقی فقط به متخصصین حرفهای رجوع کنید و از قطعات یدکی اصل استفاده نمایید. این باعث خواهد شد که ایمنی دستگاه شما تضمین گردد.
  - ◀ هرگز باتریهای آسیب دیده را تعمیر نکنید. باتری باید تنها توسط متخصصین مجاز شرکت تعمیر شوند.
- نکات ایمنی برای دریل ها و پیچ گوشتی ها**
- دستورالعملهای ایمنی برای انواع عملیات**
- ◀ هنگام کار با دریل ضربهای از گوشی ایمنی استفاده کنید. قرار گرفتن در معرض سر و صدا، میتواند به شنوایی آسیب برساند.
  - ◀ از دسته(های) کمکی استفاده کنید. از دست دادن کنترل بر روی ابزار می تواند باعث بروز جراحت شود.
  - ◀ چنانچه هنگام انجام کار، امکان تماس متعلقات برش یا بستها با سیمهای برق غیر قابل رؤیت وجود داشته باشد، باید ابزار برقی را از محل دستگیره و سطوح عایق آن بگیرید. تماس متعلقات برش یا بستها با سیم حامل جریان برق، میتواند جریان برق را به بخشهای فلزی دستگاه نیز انتقال دهد و باعث برق گرفتگی شود.
  - ◀ دستورالعملهای ایمنی برای هنگام استفاده از متهای بلند
  - ◀ هرگز دستگاه را با سرعت بیشتر از حداکثر سرعت مجاز مته به کار نگیرید. در سرعتهای

- استفاده صحیح از ابزار برقی و مراقبت از آن**
- ◀ از وارد کردن فشار زیاد روی دستگاه خودداری کنید. برای هر کاری، از ابزار برقی مناسب با آن استفاده کنید. بکار گرفتن ابزار برقی مناسب باعث میشود که بتوانید از توان دستگاه بهتر و با اطمینان بیشتر استفاده کنید.
  - ◀ در صورت ایراد در کلید قطع و وصل ابزار برقی، از دستگاه استفاده نکنید. ابزار برقی که نمی توان آنها را قطع و وصل کرد، خطرناک بوده و باید تعمیر شوند.
  - ◀ قبل از تنظیم ابزار برقی، تعویض متعلقات و یا کنار گذاشتن آن، دوشاخه را از برق بکشید و یا باتری آنرا خارج کنید. رعایت این اقدامات پیشگیری ایمنی از راه افتادن ناخواسته ابزار برقی جلوگیری می کند.
  - ◀ ابزار برقی را در صورت عدم استفاده، از دسترس کودکان دور نگه دارید و اجازه ندهید که افراد ناوارد و یا اشخاصی که این دفترچه راهنما را نخواندهاند، با این دستگاه کار کنند. قرار گرفتن ابزار برقی در دست افراد ناوارد و بی تجربه خطرناک است.
  - ◀ از ابزار برقی و متعلقات خوب مراقبت کنید. مواظب باشید که قسمت های متحرک دستگاه خوب کار کرده و گیر نکنند. همچنین دقت کنید که قطعات ابزار برقی شکسته و یا آسیب دیده نباشند. قطعات آسیب دیده را قبل از شروع به کار تعمیر کنید. علت بسیاری از سوانح کاری، عدم مراقبت کامل از ابزارهای برقی می باشد.
  - ◀ ابزار برش را تیز و تمیز نگه دارید. ابزار برشی که خوب مراقبت شده و از لبه های تیز برخوردار است، کمتر در قطعه کار گیر کرده و بهتر قابل هدایت است.
  - ◀ ابزار برقی، متعلقات، متهای دستگاه و غیره را مطابق دستورات این جزوه راهنما به کار گیرید و به شرایط کاری و نوع کار نیز توجه داشته باشید. استفاده از ابزار برقی برای عملیاتی به جز مقاصد در نظر گرفته شده، میتواند به بروز شرایط خطرناک منجر شود.
  - ◀ دستها و سطوح عایق را همواره خشک، تمیز و عاری از روغن و گریس نگه دارید. دسته های لغزنده مانع ایمنی و کنترل در کار در شرایط غیر منتظره هستند.
- مراقبت و طرز استفاده از ابزارهای شارژی**
- ◀ باتریها را منحصراً توسط شارژرهایی که توسط سازنده توصیه شدهاند، شارژ کنید. در صورتی که برای شارژ باتری، آنرا در شارژری قرار دهید که برای آن باتری ساخته نشده است، خطر آتش سوزی وجود دارد.
  - ◀ در ابزارهای برقی فقط از باتریهایی استفاده کنید که برای آن نوع ابزار برقی در نظر گرفته شدهاند. استفاده از باتریهای متفرقه میتواند منجر به بروز جراحت و حریق گردد.
  - ◀ در صورت عدم استفاده از باتری باید آنرا از گیره های فلزی، سکه، کلید، میخ، پیچ و دیگر وسائل کوچک فلزی دور نگه دارید، زیرا این وسائل ممکن است باعث ایجاد اتصالی

باتری را در برابر حرارت، از جمله در برابر تابش مداوم خورشید و همچنین در برابر آتش، آلودگی، آب و رطوبت محفوظ بدارید. خطر اتصالی و انفجار وجود دارد.



در صورت بلوکه شدن ابزار برقی، آن را خاموش کنید. نسبت به عکسالعملهای شدیدی که منجر به ضربه برگشتی می شوند، آمادگی داشته باشید. چنانچه فشار زیادی به ابزار برقی وارد شود یا در قطعه‌گیر گیر کند، ابزار برقی بلوکه می شود.

احتیاط! هنگام استفاده از ابزار اندازه گیری با Bluetooth\* ممکن است دستگاهها، سیستمها، هواپیماها و ابزارهای پزشکی (باتری قلب، سمعک) دچار اختلال شوند. همچنین ممکن است افراد یا حیوانات کاملاً نزدیک به ابزار آسیب ببینند. ابزار برقی با Bluetooth\* را در نزدیکی دستگاههای پزشکی، پمپ بنزین، سیستمهای شیمیایی و مناطق دارای خطر انفجار بکار نبرید. از ابزار برقی به همراه Bluetooth\* در هواپیما استفاده نکنید. از کاربرد دستگاه به مدت طولانی در نزدیکی مستقیم بدن خودداری کنید.

علامت نامی Bluetooth® همانند علامت های تصویری (لوگوها)، نشانهای ثبت شده و متعلق به Bluetooth SIG, Inc می باشند. هر گونه استفاده از این علائم نامی/نشانها، توسط شرکت Robert Bosch Power Tools GmbH تحت لیسانس انجام میشوند.

## توضیحات محصول و کارکرد

همه دستورات ایمنی و راهنماییها را بخوانید. اشتباهات ناشی از عدم رعایت این دستورات ایمنی ممکن است باعث فرگرفتگی، سوختگی و یا سایر جراحات های شدید شود.



به تصویرهای واقع در بخشهای اول دفترچه راهنما توجه کنید.

### موارد استفاده از دستگاه

این ابزار برقی برای پیکاری اعم از باز و بسته کردن پیچها و همچنین برای دریل کاری در چوب، فلزات، سرامیک و پلاستیک مناسب است. GSB بطور خاص برای سوراخکاری چکشی در آجر، ساختارهای آجری و سنگ در نظر گرفته شده است.

دادهها و تنظیمات ابزار برقی میتوانند در صورت نصب Bluetooth\* GCY 42Low Energy Module بوسیله فناوری امواج Bluetooth\* بین ابزار برقی و یک دستگاه نهایی همراه منتقل شوند.

### تصاویر اجزاء دستگاه

شماره های اجزاء دستگاه که در تصویر مشاهده میشود، مربوط به شرح ابزار برقی می باشد که تصویر آن در این دفترچه آمده است.

(1) ابزارگیر

(2) سه نظام اتوماتیک

بالتر، ممکن است مته هنگام چرخش در حالت آزاد و بدون تماس با قطعه کار کج شود و باعث وارد آمدن جراثیم گردد.

دریل کاری را همیشه هنگامی که مته با قطعه کار در تماس است و با سرعت پایین آغاز کنید. در سرعتهای بالاتر، ممکن است مته هنگام چرخش در حالت آزاد و بدون تماس با قطعه کار کج شود و باعث وارد آمدن جراثیم گردد.

فشار را فقط هم راستا با مته وارد کنید و از وارد کردن فشار زیاد خودداری نمایید. ممکن است مته کج شود و باعث ایجاد شکستگی یا از دست رفتن کنترل و در نتیجه وارد آمدن جراثیم گردد.

### سایر راهنمایی های ایمنی

ابزار برقی را محکم بگیرید. هنگام سفت و باز کردن پیچها ممکن است گشتاورهای بازگشتی بالایی به طور موقت ایجاد شوند.

قطعه کار را محکم کنید. در صورتیکه قطعه کار به وسیله تجهیزات نگهدارنده و یا بوسیله گیره محکم شده باشد، قطعه کار مطمئن تر نگه داشته میشود، تا اینکه بوسیله دست نگهداشته شود.

برای پیدا کردن لوله ها و سیم های پنهان موجود در ساختمان و محدوده کار، از یک دستگاه ردیاب مخصوص برای یافتن لوله ها و سیمهای تأسیسات استفاده کنید و یا با شرکت های کارهای تأسیسات ساختمان و خدمات مربوطه تماس بگیرید. تماس با کابل و سیمهای برق ممکن است باعث آتشسوزی و یا برق گرفتگی شود. ایراد و آسیب دیدگی لوله گاز میتواند باعث انفجار شود. سوراخ شدن لوله آب باعث ایجاد خسارت میشود.

قبل از کنار گذاشتن ابزار برقی صبر کنید تا دستگاه بطور کامل از کار و حرکت بایستد. ابزار ممکن است به قطعه کار گیر کرده و کنترل ابزار برقی از دست شما خارج شود.

در صورتیکه باتری آسیب دیده باشد و یا از آن بطور بی رویه استفاده شود، ممکن است از باتری بخارهایی بلند شود. باتری ممکن است آتش بگیرد یا منفجر شود. در این حالت هوای محیط را تازه کنید؛ اگر احساس ناراحتی کردید، به پزشک مراجعه نمایید. استنشاق این بخارها ممکن است به مجاری تنفسی شما آسیب برساند.

باتری را باز نکنید. خطر اتصال کوتاه وجود دارد.

بوسیله ی اشیاء تیز مانند میخ یا پیچگوشتی یا تأثیر نیروی خارجی ممکن است باتری آسیب ببیند. ممکن است اتصال داخلی رخ دهد و باتری آتش گیرد، دود کند، منفجر شود یا بیش از حد داغ گردد.

تنها از باتری برای محصولات تولیدی شرکت استفاده کنید. فقط در اینصورت باتری در برابر خطر اعمال فشار بیش از حد محافظت میشود.

- (18) دسته (دارای روکش عایق)  
 (19) قاب ماژول Low Energy Bluetooth®  
**GCY 42**  
 (20) کلید تشخیص الکترونیکی زاویه (EAD) (User Interface)  
 (21) LED تشخیص الکترونیکی زاویه شیب از پیش تنظیم شده (EAD) (User Interface)  
 (22) LED برای ابزار برقی (User Interface)  
 (23) LED برای KickBack Control (User Interface)  
 (24) دکمه KickBack Control (User Interface)  
 (25) شماره سفارش دستگیره کمکی 1 602 025 07Y
- (a) کلیه متعلقاتی که در تصویر و یا در متن آمده است، بطور معمول همراه دستگاه ارائه نمی شود. لطفاً لیست کامل متعلقات را از فهرست برنامه متعلقات اقتباس نمایند.
- (3) خط کش تعیین عمق سوراخ  
 (4) دسته کمکی (دارای روکش عایق)  
 (5) پیچ خروسکی برای تنظیم کننده عمق سوراخ  
 (6) حلقه تنظیم انتخاب گشتاور  
 (7) کلید انتخاب انواع عملکرد  
 (8) کلید انتخاب سرعت  
 (9) LED تشخیص الکترونیکی زاویه (EAD)  
 (10) گیره نگهدارنده بند رکابی  
 (11) باتری قابل شارژ  
 (12) دکمه آزادسازی باتری قابل شارژ  
 (13) چراغ کار (User Interface)  
 (14) User Interface (رابط کاربری)  
 (15) نگه دارنده مته<sup>(a)</sup>  
 (16) کلید تغییر جهت چرخش  
 (17) کلید روشن/خاموش

### مشخصات فنی

GSB 18V-150 C	GSR 18V-150 C	پیچ گوهی شارژی
3 601 JJ5 1..	3 601 JJ5 0..	شماره فنی
18	18	ولتاژ نامی
		سرعت در حالت آزاد <sup>(a)</sup>
0-550	0-550	- سرعت 1
0-2 200	0-2 200	- سرعت 2
0-30 000	-	تعداد ضربه <sup>(a)</sup>
100/84	100/84	گشتاور پیچکاری سخت/نرم بر اساس ISO 5393 (2017) <sup>(a)</sup>
150	150	حداکثر گشتاور <sup>(a)</sup>
		حداکثر قطر سوراخکاری
150	150	- چوب
16	16	- فولاد
20	-	- ساختار آجری
1,5-13	1,5-13	ابزارگیر
13	13	حداکثر قطر پیچ ها
2,5-3,6	2,4-3,5	وزن مطابق استاندارد EPTA-Procedure 01:2014 <sup>(b)</sup>
0 ... +35	0 ... +35	دمای توصیه شده محیط هنگام شارژ
-20 ... +50	-20 ... +50	دمای مجاز محیط هنگام کار و هنگام انبار کردن
GBA 18V... ProCORE18V...	GBA 18V... ProCORE18V...	باتری های قابل شارژ سازگار
ProCORE18V... ≥ 5,5 Ah	ProCORE18V... ≥ 5,5 Ah	باتری های قابل شارژ توصیه شده برای توان کامل
GAL 18... GAX 18... GAL 36...	GAL 18... GAX 18... GAL 36...	شارژرهای توصیه شده

(A) اندازه گیری شده در دمای 20-25 °C با باتری قابل شارژ ProCORE18V 8.0Ah  
 (B) اندازه گیری شده با GBA 18V 1.5Ah و GBA 18V 12.0Ah

## نصب

دکمه را جهت پدیدار شدن نشانگر وضعیت شارژ (Ⓢ) یا وضعیت شارژ فشار دهید. این کار هنگامی که باتری برداشته شده باشد نیز ممکن است.

چنانچه پس از فشردن دکمه نشانگر وضعیت شارژ هیچ LED روشن نشود، باتری خراب است و باید تعویض گردد.

**نکته:** وضعیت شارژ باتری روی User Interface (14) نیز نشان داده می شود (رجوع کنید به „نشانگرهای وضعیت“، صفحه 104).

### نوع باتری GBA 18V...



LED ها	ظرفیت
3 چراغ ممتد سبز	60-100 %
2 چراغ ممتد سبز	30-60 %
1 چراغ ممتد سبز	5-30 %
1 چراغ چشمک زن سبز	0-5 %

### نوع باتری ProCORE18V...



LED ها	ظرفیت
5 چراغ ممتد سبز	80-100 %
4 چراغ ممتد سبز	60-80 %
3 چراغ ممتد سبز	40-60 %
2 چراغ ممتد سبز	20-40 %
1 چراغ ممتد سبز	5-20 %
1 چراغ چشمک زن سبز	0-5 %

### دسته کمکی

◀ از ابزار برقی تنها با دسته ی کمکی (4) استفاده کنید.

**این ابزار برقی را باید فقط با دسته کمکی دارای شماره سفارش 1 602 025 07Y مورد استفاده قرار داد.**

◀ **پیش از هر کاری از محکم بودن دسته کمکی مطمئن شوید.** از دست دادن کنترل ابزار برقی می تواند منجر به آسیب دیدگی گردد. توجه کنید که دسته کمکی با گشتاوری مناسب روش اتصال، محکم شده باشد، آنها را طوری روی ابزار برقی محکم کنید که هرگونه حرکت دسته کمکی در طول یا حول محور سوراخکاری غیرممکن باشد.

### نحوه نصب دسته کمکی

برای باز کردن دسته کمکی، قسمت پایینی دسته کمکی (4) را در خلاف جهت عقربههای ساعت بچرخانید.

قطعه میانی دسته کمکی را عقب بکشید و آن را در این حالت نگه دارید.

دسته کمکی را روی سه نظام برانید تا آن را روی ابزار برقی نصب کنید.

◀ **قبل از انجام هر گونه کاری با ابزار برقی (از جمله سرویس، تعویض ابزار و غیره) و همچنین به هنگام حمل و نقل و یا در انبار نگهداری کردن، باتری را از داخل ابزار برقی خارج کنید.** در صورت تماس اتفاقی با کلید قطع و وصل، خطر آسیب دیدگی وجود دارد.

### Low Energy Module GCY 42 Bluetooth® را نصب کنید

جهت دریافت اطلاعات درباره Low Energy Module, Bluetooth GCY 42 دفترچه راهنمای مربوطه را بخوانید.

### نحوه شارژ کردن باتری

◀ **تنها شارژرهای ذکر شده در مشخصات فنی را بکار برید.** تنها این دستگاه های شارژ با باتری های لیتیوم-یونی (Li-Ion) ابزار برقی شما منطبق میباشند.

**نکته:** باتری با شارژ نسبی ارسال می شود. برای دست یافتن به توان کامل باتری، قبل از بکار گیری آن برای اولین بار باید شارژ باتری بطور کامل در دستگاه شارژ تکمیل شود.

باتری های لیتیوم-یونی (Li-Ion) را میتوان همه وقت شارژ نمود، بدون اینکه از طول عمر آن کاسته شود. قطع کردن جریان شارژ آسیبی به باتری نمیرساند.

باتری های لیتیوم-یونی دارای سیستم حفاظت الکترونیک "Electronic Cell Protection (ECP)" بوده و در برابر خالی شدن حفاظت می شوند. اگر باتری خالی شود، ابزار برقی از طریق کلید حفاظتی بطور اتوماتیک خاموش میشود و دستگاه دیگر حرکت نمیکند.

◀ **پس از خاموش شدن اتوماتیک ابزار برقی، از فشار دادن مجدد کلید قطع و وصل خودداری کنید.** این میتواند باعث آسیب دیدن باتری شود.

به نکات مربوط به نحوه از رده خارج کردن باتری توجه کنید.

### نحوه برداشتن باتری

باتری (11) دارای دو مرحله قفل میباشد که این قفلها مانع بیرون افتادن باتری در اثر فشار ناخواسته بر روی دکمه آزاد کننده قفل (12) میشوند. تا زمانی که باتری در داخل ابزار برقی قرار داشته باشد، آن باتری توسط یک فنر در حالت مناسب نگهداری میشود.

برای برداشتن و خارج کردن باتری (11) دکمه آزادسازی باتری (12) را فشار دهید و باتری را از داخل ابزار برقی خارج کنید. **هنگام انجام این کار از اعمال فشار خودداری کنید.**

### نشانگر وضعیت شارژ باتری

چراغهای سبز LED نشانگر وضعیت شارژ باتری، وضعیت شارژ باتری را نشان میدهند. به دلایل ایمنی، فراخوانی وضعیت شارژ باتری تنها در حالت توقف ابزار برقی ممکن است.

به قوانین و مقررات معتبر در کشور خود در رابطه با استفاده از مواد و قطعات کاری توجه کنید.  
**◀ از تجمع گرد و غبار در محل کار جلوگیری کنید.**  
 گرد و غبار می توانند به آسانی مشتعل شوند.

## طرز کار با دستگاه

### راه اندازی و نحوه کاربرد دستگاه

#### جاگذاری باتری

**نکته:** استفاده از از باتریهای نامناسب با ابزار اندازهگیری ممکن است منجر به بروز خطا در عملکرد یا آسیب دیدگی ابزار اندازهگیری شود.

کلید انتخاب جهت چرخش (16) را به وسط برانید تا از روشن شدن ناخواسته جلوگیری کنید. باتری شارژ شده (11) را در دستگیره قرار دهید تا به طور محسوس جا بیفتد و همسطح با دستگیره شود.

#### تنظیم جهت چرخش (رجوع کنید به تصویر B)

توسط دکمه تعویض جهت چرخش (16) می توان جهت چرخش ابزار برقی را تغییر داد. هنگامی که کلید قطع و وصل (17) فشرده شده است، این امر ممکن نیست.

🔌 **راستگرد:** کلید تغییر جهت چرخش (16) را از دو طرف تا انتها به موقعیت ← برانید.

🔌 **چپگرد:** کلید تغییر جهت چرخش (16) را از دو طرف تا انتها به موقعیت → برانید.

#### تنظیم نوع عملکرد

##### سوراخکاری

کلید انتخاب انواع عملکرد (7) را روی علامت "سوراخکاری" قرار دهید.

##### پیچکاری

کلید انتخاب انواع عملکرد (7) را روی علامت "پیچکاری" قرار دهید.

##### سوراخکاری چکشی (GSB 18V-150 C)

کلید انتخاب انواع عملکرد (7) را روی علامت "سوراخکاری چکشی" قرار دهید.

#### روشن/خاموش کردن

برای **راه اندازی** ابزار برقی، کلید قطع و وصل (17) را فشار داده و آنرا در حالت فشرده نگهدارید.

چراغهای LED (13) هنگام وارد کردن فشار کم یا کامل به کلید روشن/خاموش (17) روشن میشود و محیط کار را در صورت عدم وجود شرایط مناسب نور، روشن میکند.

برای **خاموش کردن** ابزار برقی، کلید قطع و وصل (17) را رها کنید.

#### تنظیم سرعت (دور موتور)

سرعت ابزار برقی را می توان با فشردن دلخواه کلید قطع و وصل (17) تنظیم کرد.

فشار کم روی کلید قطع و وصل (17) سرعت کاهش مییابد. افزایش فشار بر روی کلید قطع و وصل باعث افزایش سرعت میشود.

قطعه میانی را رها کنید.

سپس قسمت پایینی دسته کمکی (4) را دوباره در جهت چرخش عقربههای ساعت محکم کنید.

#### حرکت دسته کمکی

دسته کمکی (4) را می توان به دلخواه جهت بدست آمدن حالت کاری مطمئن و راحت چرخاند.

قسمت پایینی دسته کمکی (4) را در خلاف جهت چرخش عقربههای ساعت بچرخانید و دسته کمکی (4) را به موقعیت دلخواه حرکت دهید. سپس قسمت پایینی دسته کمکی (4) را دوباره در جهت چرخش عقربههای ساعت محکم کنید.

#### نحوه تنظیم عمق سوراخ

با تنظیم کننده عمق (3) میتوان عمق سوراخکاری دلخواه X را تثبیت کرد.

پیچ خروسکی برای تنظیم کننده عمق (5) را آزاد کنید و آن را در دسته کمکی (4) قرار دهید.

خط کش تعیین عمق سوراخ (3) را تا اندازه ای بیرون بکشید که فاصله بین نوک مته و نوک خط کش تعیین عمق سوراخ (3) با عمق مته X مورد نظر مطابق باشد.

پیچ خروسکی برای تنظیم کننده عمق (5) را دوباره محکم کنید.

#### تعویض ابزار (رجوع کنید به تصویر A)

◀ **قبل از انجام هر گونه کاری با ابزار برقی (از جمله سرویس، تعویض ابزار و غیره) و همچنین به هنگام حمل و نقل و یا در انبار نگهداری کردن، باتری را از داخل ابزار برقی خارج کنید.** در صورت تماس اتفاقی با کلید قطع و وصل، خطر آسیب دیدگی وجود دارد.

در صورت فشرده نبودن کلید قطع و وصل (17) محور دریل قفل می شود. این امر باعث تعویض آسان و سریع ابزار و متعلقات سه نظام میشود.

سه نظام سریع (2) را با چرخاندن در جهت 1 باز کنید تا ابزار قرارگیرد. ابزار را جا گذاری کنید.

بوش نگهدارنده سه نظام مهار سریع (2) را محکم با دست در جهت 2 بچرخانید. اینگونه سه نظام به طور اتوماتیک قفل می شود.

#### مکش گرد، براده و تراشه

گرد و غبار موادی مانند رنگ های دارای سرب، بعضی از چوب ها، مواد معدنی و فلزات میتوانند برای سلامتی مضر باشند. دست زدن و یا تنفس کردن گرد و غبار ممکن است باعث بروز آلرژی و یا بیماری مجاری تنفسی شخص استفاده کننده و یا افرادی که در آن نزدیکی میباشند، بشود.

گرد و غبارهای مخصوصی مانند گرد و غبار درخت بلوط و یا درخت راش سرطان زا هستند، بخصوص ترکیب آنها با سایر موادی که برای کار بر روی چوب (کرومات، مواد برای محافظت از چوب) بکار برده میشوند. فقط افراد متخصص مجازند با موادی که دارای آزیست میباشند کار کنند.

– توجه داشته باشید که محل کار شما از تهویه هوای کافی برخوردار باشد.

– توصیه میشود از ماسک تنفسی ایمنی با درجه فیلتر P2 استفاده کنید.

ابزار برقی شناسایی و به کاربر نشان داده می شود، از پیش تعیین کرد. با این کار می توان، برای مثال، در یک سطح شیب دار سوراخکاری یا پیچکاری را در زاویه مناسب انجام داد. تشخیص الکترونیکی زاویه (EAD)، از طریق User Interface (14) کنترل می شود.

زاویه ( $45^{\circ}$ ،  $60^{\circ}$ )، زاویه تعریف شده توسط کاربر) را روی User Interface (14) انتخاب کنید. **نکته:** در تنظیمات کارخانه، زاویه تعریف شده توسط کاربر،  $90^{\circ}$  است. که می توان آن را از طریق اپلیکیشن بوش تنظیم کرد.

جهت تنظیم زاویه، دکمه تشخیص الکترونیکی زاویه (EAD) (20) را مرتباً بفشارید تا جایی که LED زاویه شیب دلخواه (21) شروع به چشمک زدن کند.

در کنار LED زاویه شیب دلخواه (21)، LED تشخیص الکترونیکی زاویه (EAD) (9) نیز به رنگ زرد شروع به چشمک زدن می کند. اکنون ابزار برقی را روی سطح مورد نظر قرار داده و تا جای ممکن ثابت نگه دارید. **نکته:** چنانچه در مرحله شروع به کار، ابزار برقی را نتوان ثابت در دست گرفت، دستگاه پس از 10 ثانیه متوقف شده و آخرین مقدار تنظیم شده دوباره ذخیره خواهد شد.

ابزار برقی پس از قرارگیری، شروع به کار می کند. همزمان با شروع به کار، سطح مورد نظر شناسایی می شود. مرحله شروع به کار هنگامی که LED تشخیص الکترونیکی زاویه (EAD) (9) حدود 1 ثانیه به رنگ سبز روشن و سپس خاموش گردد، به پایان می رسد و LED زاویه شیب (21) بطور ممتد روشن می شود.

ابزار برقی را از روی سطح بردارید. ابزار برقی را در زاویه شیب دلخواه روی سطح شناسایی شده تنظیم کنید. هنگامی که زاویه شیب با اختلافی در حدود  $\pm 10^{\circ}$  نسبت به زاویه شیب از پیش تعیین شده قرار بگیرد، LED (22) به رنگ زرد روشن می شود.

چنانچه زاویه شیبی با اختلاف  $\pm 3^{\circ}$  نسبت به زاویه شیب از پیش تعیین شده به دست آید، LED (9) به رنگ سبز روشن می شود. جهت خاتمه دادن به تشخیص الکترونیکی زاویه (EAD)، دکمه تشخیص الکترونیکی زاویه (EAD) (20) را آنقدر فشرده نگه دارید تا هیچ یک از LEDهای انتخاب زاویه (21) دیگر روشن نمانند ( $60^{\circ} \rightarrow 45^{\circ}$ ) زاویه تعریف شده توسط کاربر ( $\rightarrow$  خاموش). زاویه تنظیم شده و همچنین محدوده مرجع در صورتی که ابزار برقی دوباره از حالت آماده به کار خارج شود و حتی با تعویض باتری قابل شارژ، حفظ می شود.

#### User Interface (رجوع کنید به تصویر D)

User Interface (14) برای تنظیم و بررسی زاویه شیب به عنوان بخشی از قابلیت تشخیص الکترونیکی زاویه (EAD)، غیرفعال سازی قطع سریع (KickBack Control) و همچنین نشانگر وضعیت ابزار برقی کاربرد دارد.

#### گشتاور را انتخاب کنید (معتبر برای عملکرد پیچکاری)

از طریق حلقه تنظیم انتخاب گشتاور (6) می توان گشتاور لازم را در 25 درجه مختلف از پیش انتخاب کرد. به محض رسیدن به گشتاور تنظیم شده، ابزار مورد استفاده متوقف میشود.

#### انتخاب مکانیکی دنده

◀ **کلید تغییر جهت چرخش (8) را هنگام متوقف بودن دستگاه فعال کنید.**

#### دنده 1:

محدوده سرعت پایین، برای کار با متهای دارای قطر زیاد و یا برای پیچکاری.

#### دنده 2:

محدوده سرعت بالا، برای کار با متهای دارای قطر کم.

◀ **دکمه انتخاب دنده را همواره تا انتها برانید.** در غیر اینصورت امکان آسیب دیدن ابزار برقی وجود دارد.

#### قطع سریع (KickBack Control)

قطع سریع (KickBack Control) امکان کنترل بهتر را روی ابزار برقی فراهم می کند و اینگونه، در مقایسه با ابزارهای برقی فاقد KickBack Control، محافظت از کاربر را افزایش می دهد. در صورت چرخش ناگهانی و غیر قابل پیش بینی ابزار برقی حول محور مته، ابزار برقی خاموش می شود.



قطع سریع با چشمک زدن LED (22) به رنگ قرمز، یک چراغ چشمک زن واقع در چراغ کار (13) و همچنین یک چراغ LED به رنگ قرمز برای KickBack Control (23) روی ابزار برقی نشان داده می شود. برای راه اندازی دوباره کلید قطع و وصل را رها کنید و آن را دوباره فشار دهید.

◀ **چنانچه عملکرد KickBack Control خراب باشد، ابزار برقی دیگر روشن نمی شود. برای تعمیر ابزار برقی فقط به متخصصین حرفه ای مراجعه کنید و فقط از قطعات یدکی اصل استفاده نمایید.**

قطع سریع را می توان از روی User Interface (14) با دکمه (24) غیرفعال کرد. چنانچه ابزار برقی بیش از 5 دقیقه مورد استفاده قرار نگیرد یا باتری قابل شارژ از روی دستگاه برداشته شود، قطع سریع بطور اتوماتیک دوباره فعال می شود. وضعیت فعلی از طریق LED مربوط به KickBack Control (23) واقع در User Interface (14) نشان داده می شود.

توجه کنید که چراغ هشدار از همه جهت ها قابل رؤیت نیست. هنگام تابش شدید نور خورشید، چراغ هشدار به سختی قابل تشخیص است.

#### Electronic Angle Detection (EAD) (تشخیص الکترونیکی زاویه)

با استفاده از قابلیت تشخیص الکترونیکی زاویه (EAD)، می توان زاویه شیب را که حین کار توسط



## نمایشگرهای وضعیت

راه حل	معنی/دلیل	نشانگر وضعیت ابزار برقی (22)
-	وضعیت OK	سبز
اجازه دهید ابزار برقی در حالت آزاد کار کند و خنک شود، باتری قابل شارژ را سریعاً تعویض یا شارژ کنید یا دکمه KickBack را فشار دهید	دما به وضعیت هشدار رسیده، باتری قابل شارژ تقریباً خالی شده یا KickBack Control خاموش شده است	زرد
اجازه دهید ابزار برقی خنک شود یا باتری قابل شارژ را تعویض یا شارژ کنید	ابزار برقی بیش از حد داغ شده یا باتری قابل شارژ خالی است	چراغ ثابت قرمز
ابزار برقی را خاموش و دوباره روشن کنید	متوقف کننده ضربه زن فعال شده است	چراغ چشمک زن قرمز
-	ابزار برقی به دستگاه همراه نهایی متصل است یا تنظیمات در حال انتقال می باشد	چراغ چشمک زن آبی

معنی/دلیل	نشانگر وضعیت ابزار برقی (9)
زاویه انحراف شده با تیلرانس $\pm 3^\circ$ نسبت به سطح شناسایی شده به دست می آید <sup>(A)</sup>	سبز
زاویه انحراف شده با تیلرانس $\pm 10^\circ$ نسبت به سطح شناسایی شده به دست می آید <sup>(A)</sup>	زرد
سطح شناسایی می شود	چراغ چشمک زن زرد، سپس کوتاه به رنگ سبز روشن می شود
مرحله شروع به کار به درستی انجام نشده است	چراغ چشمک زن زرد، سپس کوتاه به رنگ زرد روشن می شود

(A) دقت اندازه گیری مطلق می تواند به دلیل شرایط مختلف، متفاوت باشد (برای مثال عدم انطباق دستگاه با پیچ به دلیل لقی بین سر پیچ گوهی و/یا رابط پیچ گوهی؛ مسطح بودن نسبت به سطح مرجع؛ ...)

## مراقبت و سرویس

## مراقبت، تعمیر و تمیز کردن دستگاه

- ◀ قبل از انجام هر گونه کاری با ابزار برقی (از جمله سرویس، تعویض ابزار و غیره) و همچنین به هنگام حمل و نقل و یا در انبار نگهداری کردن، باتری را از داخل ابزار برقی خارج کنید. در صورت تماس اتفاقی با کلید قطع و وصل، خطر آسیب دیدگی وجود دارد.
- ◀ ابزار الکتریکی و شیارهای تهویه آنرا تمیز نگاه دارید، تا ایمنی شما در کار تضمین گردد.

## خدمات و مشاوره با مشتریان

خدمات مشتری، به سئوالات شما درباره تعمیرات، سرویس و همچنین قطعات یدکی پاسخ خواهد داد. نقشه‌های سه بعدی و اطلاعات مربوط به قطعات یدکی را در تارنمای زیر مییابید:

[www.bosch-pt.com](http://www.bosch-pt.com)

گروه مشاوره به مشتریان Bosch با کمال میل به سئوالات شما درباره محصولات و متعلقات پاسخ می دهند.

برای هرگونه سؤال و یا سفارش قطعات یدکی، حتماً شماره فنی 10 رقمی کالا را مطابق برچسب روی ابزار برقی اطلاع دهید.

## ایران

روبرت بوش ایران - شرکت بوش تجارت پارس  
میدان ونک، خیابان شهید خدای، خیابان آفتاب  
ساختمان مادیران، شماره 3، طبقه سوم.

## عملکرد های ارتباطی

در رابطه با *Bluetooth* Low Energy Module **GCY 42** عملکردهای ارتباطی زیر برای ابزار برقی در دسترس هستند:

- ثبت و شخصی سازی
- بررسی وضعیت، اعلام هشدارها
- اطلاعات عمومی و تنظیمات
- مدیریت

جهت دریافت اطلاعات درباره

*Bluetooth* Low Energy Module **GCY 42**

دفترچه راهنمای مربوطه را بخوانید.

## نکات عملی

◀ ابزار برقی مجهز به *Bluetooth* Low Energy **GCY 42** Module، امواج رادیویی تولید میکند. به محدودیتهای کار در محل مانند استفاده در هواپیماها یا بیمارستانها توجه کنید.

◀ ابزار برقی را تنها در حالت خاموش روی پیچ قرار دهید. امکان لغزش ابزار در حال چرخش وجود دارد.

جهت جدا کردن سر پیچ و نگهدارنده ی سر پیچ نباید از ابزار کمکی استفاده گردد.

**گیره رکابی نگهدارنده/گیره اتصال به کمر بند**

با استفاده از گیره رکابی نگهدارنده (10) می توانید ابزار برقی را بعنوان مثال به یک تسمه یا به کمر بند متصل کنید. در این صورت هر دو دست شما آزاد است و در صورت لزوم، ابزار برقی در دسترس شما است.

تهران 1994834571  
تلفن: 9821+ 42039000

**آدرس سایر دفاتر خدماتی را در ادامه بباید:**  
[www.bosch-pt.com/serviceaddresses](http://www.bosch-pt.com/serviceaddresses)

### حمل دستگاه

باتریهای لیتیوم-یونی تابع مقررات حمل کالاهای پر خطر می باشند. کاربر می تواند باتریها را بدون استفاده از روکش در خیابان حمل کند.  
در صورت ارسال توسط شخص ثالث (مانند: حمل و نقل هوایی یا زمینی) باید تمهیدات مربوط به بسته بندی و علامتگذاری مورد توجه قرار گیرد. در اینصورت باید حتما جهت آماده سازی قطعه ارسالی به کارشناس حمل کالاهای پر خطر مراجعه کرد.  
باتریها را فقط در صورتی ارسال کنید که بدنه آنها آسیب ندیده باشد. اتصالات (کنتاکتهای) باز را بپوشانید و باتری را طوری بسته بندی کنید که در بسته بندی تکان نخورد. در این باره لطفاً به مقررات و آیین نامه های ملی توجه کنید.

### از رده خارج کردن دستگاه

ابزارهای برقی، باتری ها، متعلقات و بسته بندی ها، باید طبق مقررات حفظ محیط زیست از رده خارج و بازیافت شوند.



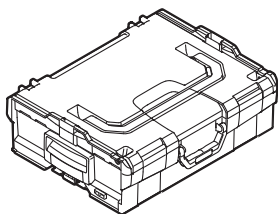
ابزار برقی و باتری ها/ باتری های قابل شارژ را داخل زباله دان خانگی نیندازید!



### باتریهای شارژی/قلمی:

#### لیتیوم-یونی:

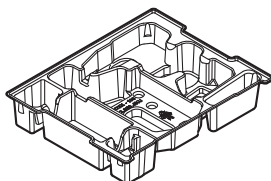
لطفاً به تذکرات بخش (رجوع کنید به „حمل دستگاه“، صفحه 106) توجه کنید.



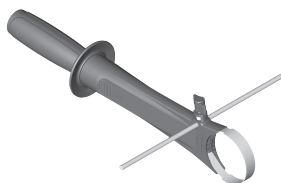
1 600 A01 2G0  
(L-BOXX 136)



1 600 A00 R26



6 082 850 6TD / 6 082 850 6XF



1 602 025 07Y

## Licenses

### Copyright © 2009–2020 ARM LIMITED

All rights reserved.

Redistribution and use in source and binary forms, with or without modification, are permitted provided that the following conditions are met:

- Redistributions of source code must retain the above copyright notice, this list of conditions and the following disclaimer.
- Redistributions in binary form must reproduce the above copyright notice, this list of conditions and the following disclaimer in the documentation and/or other materials provided with the distribution.
- Neither the name of ARM nor the names of its contributors may be used to endorse or promote products derived from this software without specific prior written permission.

THIS SOFTWARE IS PROVIDED BY THE COPYRIGHT HOLDERS AND CONTRIBUTORS "AS IS" AND ANY EXPRESS OR IMPLIED WARRANTIES, INCLUDING, BUT NOT LIMITED TO, THE IMPLIED WARRANTIES OF MERCHANTABILITY AND FITNESS FOR A PARTICULAR PURPOSE ARE DISCLAIMED. IN NO EVENT SHALL THE COPYRIGHT OWNER OR CONTRIBUTORS BE LIABLE FOR ANY DIRECT, INDIRECT, INCIDENTAL, SPECIAL, EXEMPLARY, OR CONSEQUENTIAL DAMAGES (INCLUDING, BUT NOT LIMITED TO, PROCUREMENT OF SUBSTITUTE GOODS OR SERVICES; LOSS OF USE, DATA, OR PROFITS; OR BUSINESS INTERRUPTION) HOWEVER CAUSED AND ON ANY THEORY OF LIABILITY, WHETHER IN CONTRACT, STRICT LIABILITY, OR TORT (INCLUDING NEGLIGENCE OR OTHERWISE) ARISING IN ANY WAY OUT OF THE USE OF THIS SOFTWARE, EVEN IF ADVISED OF THE POSSIBILITY OF SUCH DAMAGE.

### Copyright © 2011 Petteri Aimonen

This software is provided 'as-is', without any express or implied warranty. In no event will the authors be held liable for any damages arising from the use of this software.

Permission is granted to anyone to use this software for any purpose, including commercial applications, and to alter it and redistribute it freely, subject to the following restrictions:

1. The origin of this software must not be misrepresented; you must not claim that you wrote the original software. If you use this software in a product, an acknowledgment in the product documentation would be appreciated but is not required.
2. Altered source versions must be plainly marked as such, and must not be misrepresented as being the original software.
3. This notice may not be removed or altered from any source distribution.